

### **33: Exterior Lighting (14-526 (d) 6)**

- Cut sheets of on-site light fixtures and any architectural or specialty lights (Technical Manual, Section 12)
- Engineered details for any lights proposed in street right-of-way (Technical Manual, Section 10)

Light fixture cut sheets are included in this section. Lighting will be installed at building entrances along the building faces, as necessary, to provide illumination levels that are safe, comfortable and convenient. Light fixture cut sheets and a photometric plans prepared and provided by Swaney Lighting, this section. The site development abuts residential uses therefore shielding measures are incorporated into the lighting design.

# ARCEOS™ ARS SERIES

SURFACE/CEILING/GARAGE

Cat.#	
Job	Type



**HUBBELL**  
Outdoor Lighting

Approvals

### SPECIFICATIONS

#### Intended Use:

Ceiling applications from eight to eighteen feet for surface, box or pendant mount. Applications include parking garage, walkway or building canopies, corridors, tunnels, large stairwells and other interior applications with ambient 40°C. A wide range of lumen packages and optical distributions are available making the ARS Series luminaire both versatile and functional.

#### Construction:

- Die cast aluminum housing features vertical fins for two directional air flow that maximizes heat dissipation and ensures long electrical component life and luminaire performance
- LED light engines and electrical compartment are thermally isolated with an air gap for optimum component performance and long life
- One piece molded silicone gasket ensures weather proof seal around each individual LED; Stamped stainless steel bezel provides mechanical compression to seal the optical assembly; 18L and 24L luminaires include finish (color) matching blanking bezel
- IP65 luminaire rating
- Vandal resistant polycarbonate and low brightness acrylic shield accessories available

#### LED/Optics:

- Light engine is hexagonal LED module containing 6 high output LEDs with PMMA acrylic lenses that create precise photometric performance
- Choice of multiple light outputs based on quantity of hexagonal LED arrays: 3 = 18 LEDs, 4 = 24 LEDs or 6 = 36 LEDs hexagonal LED modules, lumen range 4,000-9,700
- Four distribution types: Type V Square (5M), Type V Rectangular (5R), Type V Wide (5W) or Type IV (4)
- Type V Rectangular (5R) lenses provides low brightness "drive aisle optics" solution for low mounting height applications when the lens is oriented perpendicular to the flow of traffic
- Variety of color temperatures offered: 3000K (70CRI), 4000K (70CRI) or 5000K (70 CRI) CCT
- Each hexagonal light engine comes with a connector for easy replacement

#### Electrical:

- 120V-277V 50/60Hz, 42-86 Watts 700mA configurations. Drivers RoHS compliant and IP66
- 0-10V dimming drivers.** Up to 113 lumens per watt. Designed and certified for 40°C ambient temperatures
- Thermal management protection device shuts driver/LED systems off when temperatures are too high. Operating temperature range -30°C/-22°F -40°C/104°F
- Surge protection - 20KA; Turns fixture off at end of life; Includes LED for end of life indication (see surge suppressor page 3)

#### Controls/Options:

- Occupancy Sensors, photocells controls available for on/off or dimming operation
- wiSCAPE in fixture wireless control module, features dimming, switching motion sensor
- Up light option available in 24L and 36L configurations

#### Installation:

Quick disconnect plate mounts over standard junction box and allows for simplified fixture installation. A 3/4" hub provides pendant stem mounting making the fixture adaptable to a variety of applications. Each mounting can be accomplished while maintaining a watertight seal. Four 1/2" conduit hubs allow side access as required. A pattern indicator on the mounting plate allows the installer to properly orient the fixture without energizing the light engines.

#### Listings:

Listed to UL 1598 for use in wet locations, 40° C ambient environments; Meets DesignLights Consortium (DLC) qualifications 4K & 5K models only. Consult DLC website for more details: <http://www.designlights.org/QPL>; IP65

#### Warranty:

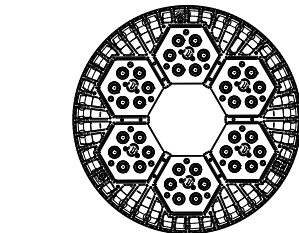
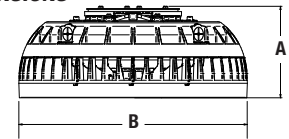
Five year limited warranty (for more information visit: <http://www.hubbellighting.com/resources/warranty/>)

### PRODUCT IMAGE(S)



Shown with motion control option

### DIMENSIONS



A	B	Weight:
5.68"	14.00"	18 lbs
(144.22 mm)	(355.6 mm)	8.16 kg

### CARTON DIMENSIONS

Length	Width	Height
15.88"	15.88"	7.5"

### CERTIFICATIONS/LISTINGS



IP65



\*3000K and warmer CCTs only

### ORDERING INFORMATION ORDERING EXAMPLE: ARS-36L5K-070-5M-1-DB-PC



SERIES	NUMBER OF LEDES	LED COLOR	DRIVE CURRENT	IES DISTRIBUTION	VOLTAGE <sup>2</sup>	FINISH	FINISH	OPTIONS
<b>ARS</b> Arceos™ surface/ceiling/garage luminaire	<b>18L</b> 18 LEDs <b>24L</b> 24 LEDs <b>36L</b> 36 LEDs	<b>3K</b> 3000K <b>4K</b> 4000K <b>5K</b> 5000K	<b>070</b> 700mA <b>083</b> 833mA <b>105</b> 1050mA	<b>5M</b> Type V Square <b>5R</b> Type V Rectangle <b>5W</b> Type V Wide <b>4</b> Type IV	<b>U</b> 120V-277V <b>1</b> 120V <b>2</b> 208V <b>3</b> 240V <b>4</b> 277V <b>F<sup>6</sup></b> 347V <b>5<sup>6</sup></b> 480V	<b>DB</b> Bronze <b>BL</b> Black <b>WH</b> White <b>PS</b> Platinum Silver <b>GR</b> Gray	<b>FG</b> Forest Green (premium color) <b>RD</b> Red (premium color) <b>CC</b> Custom Colors (Consult factory)	<b>F<sup>2</sup></b> Fusing (voltage specified and determined by voltage field) <b>UD</b> Up light option, available in 24L and 36L only 700mA configuration only <b>LMB</b> Less mounting bracket (must order mounting bracket accessory) <b>CS</b> Comfort Shield <b>SPC</b> Vandal Shield

#### CONTROL OPTIONS

- WIR** wiSCAPE, In-fixture wireless control module
- WIRSC** wiSCAPE, In-fixture wireless control module w/ occupancy sensor

#### CONTROL OPTIONS

- PC<sup>2</sup>** Photocontrol (must specify voltage not available in 480V)
- SCP<sup>2,3,5</sup>** High/low control - for up to 20' mounting heights user programmable settings
- SCPW<sup>2,3,5</sup>** High/low control - wide lens for up to 8' mounting heights

<sup>1</sup> 833mA only available in 18L, 1050mA only available with 24L, 120-277V only

<sup>2</sup> Specify voltage for voltage specific options

<sup>3</sup> 0-10V fully adjustable dimming with automatic daylight calibration and different time delay settings; Must order minimum of one SCP-REMOTE to program dimming settings

<sup>4</sup> One per LED module e.g. 3 - 18L, 4 - 24L, and 6 - 36L luminaires (see page 3)

<sup>5</sup> PC option not applicable, included in sensor. For SCP, PC function turns on to lower setting until motion is detected

<sup>6</sup> 24L and 36L 700mA configuration only, not available with UD or WIRSC options

See page 2 and 3 for Accessories.



Hubbell Outdoor Lighting • 701 Millennium Boulevard • Greenville, SC 29607 • Phone: 864-678-1000

Due to our continued efforts to improve our products, product specifications are subject to change without notice.

© 2018 HUBBELL OUTDOOR LIGHTING, All Rights Reserved • For more information visit our website: [www.hubbelloutdoor.com](http://www.hubbelloutdoor.com) • Printed in USA ARS-SPEC July 23, 2018 4:57 PM



**ACCESSORIES/REPLACEMENT PARTS - Order Separately**

Catalog Number	Description
ARS-SPC <sup>4</sup>	Vandal shield (1 per LED module)
ARS-BS-XX <sup>2</sup>	Bird shield
ARS-CS <sup>4</sup>	Comfort shield - Reduces source brightness and improving P95 acrylic with nominal 10% lumen reduction (1 per LED module)
ARS-MB-XX <sup>2</sup>	ARS mounting bracket for pre-installation of mounting bracket (accessory for LMB option)
SCP-REMOTE <sup>3</sup>	Remote control for SCP option; order at least one per project to program and control (not applicable for 347/480V)
SWUSB <sup>***</sup>	SiteSync interface software loaded on USB flash drive for use with owner supplied PC (Windows based only). Includes SiteSync license, software and USB radio bridge node.
SWTAB <sup>***</sup>	Windows tablet and SiteSync interface software. Includes tablet with preloaded software, SiteSync license and USB radio bridge node.
SWBRG <sup>+</sup>	SiteSync USB radio bridge node only. Order if a replacement is required or if an extra bridge node is requested.
93052458	20KA surge protection with an end of life LED indicator

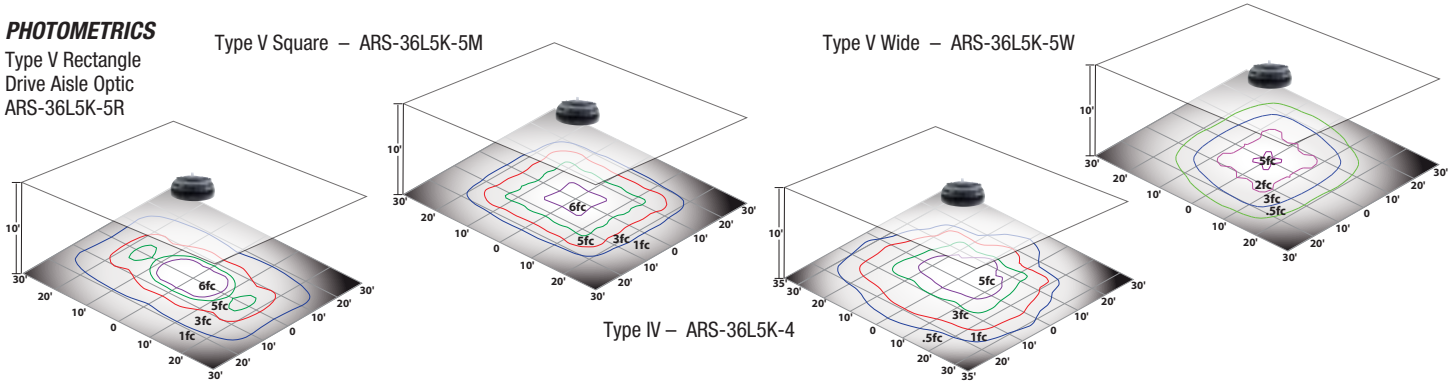
<sup>XX</sup> = Color Options: DB, BL, WH, PS and GR  
<sup>\*\*</sup> When ordering with SiteSync, one of the following interface options must be chosen ordered separately. Each option contains the SiteSync License, GUI and Bridge Node.  
<sup>\*\*\*</sup> When ordering SiteSync at least one of these two interface options must be ordered per project.  
<sup>+</sup> If needed, an additional Bridge Node can be ordered.

**PHOTOMETRICS**

Type V Rectangle  
 Drive Aisle Optic  
 ARS-36L5K-5R

Type V Square – ARS-36L5K-5M

Type V Wide – ARS-36L5K-5W



**PERFORMANCE DATA**

# LED'S	DRIVE CURRENT (MILLIAMPS)	SYSTEM WATTS	DISTRIBUTION TYPE	5K (5000K nominal, 70 CRI)					4K (4000K nominal, 70 CRI)					3K (3000K nominal, 70 CRI)				
				LUMENS	LPW <sup>1</sup>	B	U	G	LUMENS	LPW <sup>1</sup>	B	U	G	LUMENS	LPW <sup>1</sup>	B	U	G
18	700mA	42	5M	4551	109	2	0	1	4376	105	2	0	1	4026	97	2	0	0
			5R	4727	113	2	0	2	4511	108	2	0	2	4150	100	2	0	2
			5W	4517	108	3	0	1	4182	100	3	0	2	3847	92	3	0	1
	833mA	54	5M	5401	100	2	0	1	5024	93	2	0	1	4622	85	2	0	1
			5R	5541	102	3	0	3	5179	96	2	0	2	4765	88	2	0	2
24	700mA	56	5M	6068	109	2	0	1	5835	105	3	0	1	5368	97	2	0	1
			5R	6303	113	3	0	3	6015	108	3	0	3	5534	100	3	0	3
			5W	6022	108	3	0	2	5576	100	3	2	3	5130	92	3	0	1
	1050mA	85	5M	7888	93	3	0	1	7586	89	3	0	1	6979	82	3	0	1
			5R	8194	97	3	0	3	7820	92	3	0	3	7194	85	3	0	3
36	700mA	86	5M	9391	109	3	0	1	8695	101	3	0	1	7999	93	3	0	1
			5R	9741	113	3	0	3	8962	104	3	0	3	8245	96	3	0	3
			5W	9100	105	4	0	2	8427	98	3	0	2	7753	90	3	0	2

<sup>1</sup>Lumen values are from photometric tests performed in accordance with IESNA LM-79-08. Data is considered to be representative of the configurations shown. Actual performance may differ as a result of end-user environment and application.

**ELECTRICAL DATA**

# OF LEDS	NUMBER OF DRIVERS	DRIVE CURRENT (mA)	INPUT VOLTAGE (V)	SYSTEM POWER (w)	CURRENT (Amps)
18	1	700	120	41.7	0.35
			277		0.15
	1	833	120	54.2	0.45
			277		0.20
24	2	700	120	55.6	0.46
			277		0.20
			347		0.16
	1	1050	120	84.8	0.71
			277		0.31
			480		0.12
36	3	700	120	86.3	0.72
			277		0.31
			347		0.25
			480		0.18

**LUMINAIRE AMBIENT TEMPERATURE FACTOR (LATF)**

AMBIENT TEMPERATURE	LUMEN MULTIPLIER
0° C	1.02
10° C	1.01
20° C	1.00
25° C	1.00
30° C	1.00
40° C	0.99

Use these factors to determine relative lumen output for average ambient temperatures from 0-50°C (32-122°F).

## PROJECTED LUMEN MAINTENANCE

AMBIENT TEMP.	0	25,000	50,000	TM-21-11 60,000	100,000	Calculated L70 (HOURS)
10°C / 50°F	1.01	1.00	0.99	0.99	0.97	>1,085,000
25°C / 77°F	1.00	0.99	0.98	0.98	0.96	>1,085,000
40°C / 104°F	0.97	0.96	0.96	0.95	0.94	>782,000

<sup>1</sup> Projected per IESNA TM-21-11 Data references the extrapolated performance projections for the **ARS-36LU-5K** base model in a 40°C ambient, based on 10,000 hours of LED testing per IESNA LM-80-08.

## VERSATILE CONFIGURATIONS



ARS-18LU



ARS-24LU



ARS-36LU

## MOUNTING OPTIONS & ACCESSORIES



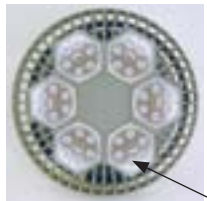
Specially designed internal hook and hinge allows easy access to wiring and internal components for easy installation



Pendant mount with 3/4" wiring hub; Bird shield accessory available; J-Box mounting slots and wire way accommodate 3 1/2" and 4" J-Box designs

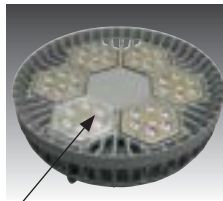


Four – 1/2" wiring hubs for surface conduit wiring and photocell option



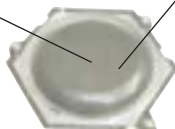
ARS-SPC - Clear vandal shield installs over each hexagonal LED bezel with 3 provided screws, specify quantity when ordering:

- 3 for 18L
- 4 for 24L
- 6 for 36L



ARS-CS - Frosted comfort shield installs over each hexagonal LED bezel with 3 provided screws, improved uniformity and reduced LED brightness, specify quantity when ordering:

- 3 for 18L
- 4 for 24L
- 6 for 36L



Optional up light feature provides approximately 300 lumens of ambient light reducing the "cave effect" in parking garage applications (available in 24L and 36L, 700mA versions only)

## SURGE PROTECTION

- Field replaceable surge protection device (SPD) provides 20KA and 10KV protection meeting ANSI/IEEE C62.41.2 Category C High and Surge Location Category C3
- The SPD is designed with a clamping voltage of 1600V at 20KA using industry standard 8/20µs waveform
- Max surge current = 20,000 Amps (see table)
- LED Indicator – Green LED is unlit at end of life

Pulse Rating (8 x 20 µSec)	
Strikes	Surge
1	20,000 A
2	15,000 A
15	10,000 A
120	3,000 A

	cRUus	CE
I <sub>n</sub>	10KA	5KA



**HUBBELL**  
Outdoor Lighting

Hubbell Outdoor Lighting • 701 Millennium Boulevard • Greenville, SC 29607 • Phone: 864-678-1000  
Due to our continued efforts to improve our products, product specifications are subject to change without notice.

© 2018 HUBBELL OUTDOOR LIGHTING, All Rights Reserved • For more information visit our website: [www.hubbelloutdoor.com](http://www.hubbelloutdoor.com) • Printed in USA



**HUBBELL**  
Lighting

ARS-SPEC July 23, 2018 4:57 PM

# CIMARRON LED CL1S

Cat.#

Job

Type



**HUBBELL**  
Outdoor Lighting

Approvals

## SPECIFICATIONS

### Construction:

- Stylish vertically finned die-cast solid top housing for maximum heat dissipation; Stops collection of unsightly debris
- Rugged lower die-cast aluminum heat sink optimizes thermal management and optical performance
- One piece die-cut silicone gasket with mechanically compressed stainless steel bezel ensures weather proof seal around each individual LED for IP65 rating
- Backlight Control (BC) option available for 85% spill light reduction, doesn't change fixture appearance or EPA, recommended for Type III and Type IV distributions
- Weight - 19 pounds, EPA - .45 ft<sup>2</sup>

### Optics:

- Choice of 126 high brightness LED configurations with individual acrylic lenses specially designed for IES Type II, III, IV and V distributions
- 3000K, 80 CRI; 4000K, 70 CRI; 5000K, 67 CRI, Turtle friendly Amber

### Electrical:

- Universal input voltage 120-277 VAC, 50/60 Hz
- Ambient operating temperature -40° C to 40° C
- Drivers have greater than 90% power factor and less than 10% THD
- 700mA drive current standard, 350mA and 525mA options available with 32L and 48L LED models
- LED drivers have output power over-voltage, over-current protection and short circuit protection with auto recovery
- Surge protection – 20KA; Turns fixture off at end of life; Includes LED for end of life indication (see surge suppressor page 3)
- Optional 0-10VDC continuous dimming to 10%
- Automatic thermal self-protection
- LED electrical assembly, including PR devices, consumes no power in the 'off' state

### Controls:

- Drivers are 0-10V dimming standard. Photocell and occupancy sensors available for complete on/off and dimming control

### Installation:

- Quick-mount plate included for easy installation
- The decorative integral arm houses two stage hinge mechanism
- Safety latch holds luminaire door to prevent "free swing"
- Quick-connect wiring for simplified, hassle-free installation
- Suitable for applications requiring 3G testing prescribed by ANSI @136.31

### Finish:

- TGIC thermoset polyester powder paint finish applied at nominal 2.5 mil thickness

### Warranty:

- Five year limited warranty, for more information visit: <http://www.hubbelloutdoor.com/resources/warranty/>

### Listings:

- Listed to UL1598 and CSA C22.2#250.0-24 for wet locations
- 700mA models meet DesignLights Consortium (DLC) qualifications, consult DLC website for more details: <http://www.designlights.org/QPL>
- IDA approved
- IP66

## PRODUCT IMAGE(S)



48 LED 3/4 VIEW



16 LED

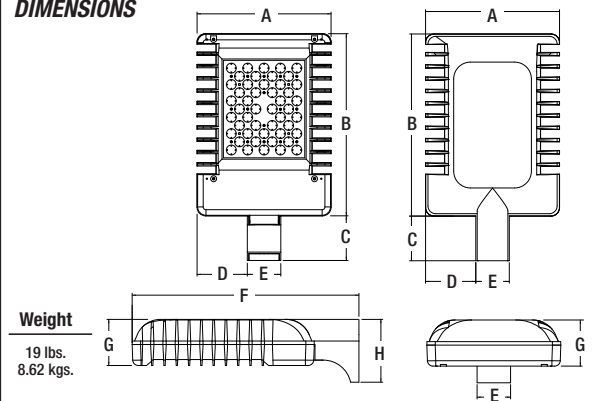


32 LED



48 LED

## DIMENSIONS



**Weight**  
19 lbs.  
8.62 kgs.

A	B	C	D	E	F	G	H
12"	16.312"	4"	4.5"	3"	20.312"	4.13"	5.625"
305mm	414mm	102mm	114mm	76mm	515mm	105mm	143mm

## CERTIFICATIONS/LISTINGS



**HUBBELL**  
Outdoor Lighting

Hubbell Outdoor Lighting • 701 Millennium Boulevard • Greenville, SC 29607 • Phone: 864-678-1000  
Due to our continued efforts to improve our products, product specifications are subject to change without notice.



**HUBBELL**  
Lighting

© 2018 HUBBELL OUTDOOR LIGHTING, All Rights Reserved • For more information visit our website: [www.hubbelloutdoor.com](http://www.hubbelloutdoor.com) • Printed in USA **CL1S-SPEC August 7, 2018 9:51 AM**

## ORDERING INFORMATION ORDERING EXAMPLE: CL1S-A-48LU-5K-3-DB-RPA3

CL1S - A - [ ] - [ ] - [ ] - [ ] - [ ] - [ ]

SERIES	NO. OF LEDS	VOLTAGE	CCT	DRIVE CURRENT	OPTIONS
<b>CL1S</b> Cimarron LED Pedestrian Scale	<b>16L</b> 16 High brightness LEDs <b>32L</b> 32 High brightness LEDs <b>48L</b> 48 High brightness LEDs	<b>U<sup>1</sup></b> Universal 120V-277V, 50/60 Hz <b>1</b> 120V <b>2</b> 208V <b>3</b> 240V <b>4</b> 277V <b>5</b> 480V, 60 Hz <b>F</b> 347V, 60 Hz <b>E</b> 220V, 50 Hz	<b>3K</b> 3000K, 80 CRI <b>4K</b> 4000K, 70 CRI <b>5K</b> 5000K, 67 CRI	Leave blank for 700mA (standard) <b>035<sup>5</sup></b> 350mA (32L, 48L) <b>053</b> 525mA (32L) 520mA (48L)	<b>BC<sup>3</sup></b> Backlight control <b>CD</b> Continuous dimming <b>F(X)<sup>2</sup></b> Fusing (replace X with voltage: 1-120V, 2-208V, 3-240V, 4-277V, 5-480V, F-347V) <b>RPA3</b> 3" Round pole adapter <b>RPA4</b> 4" Round pole adapter <b>TB</b> Terminal block <b>WB</b> Wall bracket <b>7PR</b> Photocell receptacle
MOUNTING		DISTRIBUTION			COLOR
<b>A</b> 4" straight arm attached to housing complete with quick-mount plate		<b>2</b> Type II <b>3</b> Type III <b>4</b> Type IV <b>5M</b> Type V Medium <b>5S</b> Type V Short <b>5W</b> Type V Wide <b>2L</b> Type II rotated left <b>3L</b> Type III rotated left <b>4L</b> Type IV rotated left <b>2R</b> Type II rotated right <b>3R</b> Type III rotated right <b>4R</b> Type IV rotated right			<b>DB</b> Dark Bronze <b>BL</b> Black <b>WH</b> White <b>GR</b> Gray <b>PS</b> Platinum Silver <b>CC</b> Custom Color

- Notes: 1 - Fuse option not available with universal voltage  
 2 - Select F3 fusing option for 220V  
 3 - Recommended for Type III and IV distributions only  
 4 - 0-10V fully adjustable dimming with automatic daylight calibration and different time delay settings, must order minimum of one SCP-REMOTE control to program dimming settings (see accessories)  
 5 - Not available with WIR or WIRSC  
 6 - Not available with SCO, SCL, SCP or SCPW  
 7 - Specify mounting height; 8 = 8' or less, 40 = 9' to 40'  
 8 - Specify group and zone. See SiteSync product page [www.hubbellighting.com/controls/SiteSync](http://www.hubbellighting.com/controls/SiteSync) for more details  
 9 - 700MA only

### PIR MOTION/OCCUPANCY CONTROL OPTIONS

- SCO<sub>F</sub><sup>6,7,9</sup>** On/Off control (line voltage device not for use with 7PR receptacle option and external wireless control devices)
- SCL<sub>F</sub><sup>5,7</sup>** Add-on occupancy sensor for use with ext. wireless control device connected thru 7PR receptacle. Consult control manufacturer for compatibility.
- SCP<sub>F</sub><sup>4,5,7</sup>** Programmable dimming control (line voltage device not for use with 7PR receptacle option and external wireless control devices). A minimum of one SCP-REMOTE accessory remote control required for configuration; (Standard lens with greater sensitivity; motion detection radius equal to .75 X luminaire mounting height (approx. distance))
- SWP<sup>8,9</sup>** SiteSync Pre-Commission
- SWPM<sup>7,8,9</sup>** SiteSync Pre-Commission w/ Sensor

### WIRELESS CONTROL OPTIONS

- WIR<sup>6</sup>** wiSCAPE Fixture Module, in-fixture relay for wireless lighting control
- WIRSC<sup>6</sup>** wiSCAPE Fixture Module, in-fixture relay for wireless lighting control and motion/occupancy control

### Accessories and Services (Ordered Separately)

Catalog Number	Description
<b>SCP-REMOTE</b>	Remote Control for SCP/_F option. Order at least one per project to program and control the occupancy sensor
<b>SWUSB*</b>	SiteSync interface software loaded on USB flash drive for use with owner supplied PC (Windows based only). Includes SiteSync license, software and USB radio bridge node
<b>SWTAB*</b>	Windows tablet and SiteSync interface software. Includes tablet with preloaded software, SiteSync license and USB radio bridge node.
<b>SWBRG</b>	SiteSync USB radio bridge node only. Order if a replacement is required or if an extra bridge node is requested.
<b>SW7PR*</b>	SiteSync 7 Pin on fixture module On/Off/Dim, Daylight Sensor 120-480VAC

\* When ordering SiteSync at least one of these two interface options must be ordered per project.  
 + Available as a SiteSync retrofit solution for fixtures with an existing 7pin receptacle.

### Hubbell Control Solutions - Accessories (sold separately)

Catalog Number	Description	HCS System
<b>NXOFM-1R1D-UNV</b>	On-fixture Module (7-pin), On / Off / Dim, Daylight Sensor with HubbNET Radio and Bluetooth® Radio, 120-480VAC	NX Distributed Intelligence™
<b>WIR-RME-L</b>	On-fixture Module (7-pin or 5-pin), On / Off / Dim, Daylight Sensor with wiSCAPE Radio, 110-480VAC	wiSCAPE® Lighting Control

For additional information related to these accessories please visit [www.hubbellcontrolsolutions.com](http://www.hubbellcontrolsolutions.com). Options provided for use with integrated sensor, please view specification sheet ordering information table for details.

### SiteSync 7-Pin Module



SW7PR

- SiteSync Features in a new form
- Available as an accessory for new construction or retrofit applications (with existing 7-Pin receptacle)
- Available on all products that have a 7-Pin receptacle
- Does not interface with occupancy sensors



**PERFORMANCE DATA**

NUMBER OF LEDS	DRIVE CURRENT (MILLIAMPS)	SYSTEM WATTS	DISTRIBUTION TYPE	5K (5000K NOMINAL, 70 CRI)					4K (4000K NOMINAL, 70 CRI)					3K (3000K NOMINAL, 70 CRI)				
				LUMENS	LPW*	B	U	G	LUMENS	LPW*	B	U	G	LUMENS	LPW*	B	U	G
16	700mA	38W	2	3937	104	1	0	2	3890	102	1	0	2	3096	81	1	0	2
			3	3971	104	1	0	2	3932	103	1	0	2	3116	82	1	0	1
			4	4021	106	1	0	1	3981	105	1	0	1	3155	83	1	0	1
			5S	4471	118	2	0	0	4427	117	2	0	0	3508	92	2	0	0
			5M	4430	117	2	0	1	4387	115	2	0	1	3485	89	2	0	0
			5W	4053	107	3	0	1	4013	106	3	0	1	3461	91	3	0	1
32	350mA	38W	2	4142	109	1	0	2	4102	108	1	0	2	3250	86	1	0	2
			3	4167	110	1	0	2	4126	109	1	0	2	3271	86	1	0	1
			4	4221	111	1	0	1	4179	110	1	0	1	3311	87	1	0	1
			5S	4692	123	2	0	0	4645	122	2	0	0	3682	97	2	0	0
			5M	4651	122	2	0	1	4604	121	2	0	1	3649	96	2	0	1
			5W	4255	112	3	0	1	4212	111	3	0	1	3337	88	2	0	1
32	525mA	56W	2	5855	105	2	0	3	5797	104	2	0	3	4595	82	1	0	2
			3	5889	105	2	0	2	5831	104	2	0	2	4622	83	1	0	2
			4	5963	106	1	0	2	5905	105	1	0	2	4679	84	1	0	2
			5S	6633	118	2	0	0	6567	117	2	0	0	5205	93	2	0	0
			5M	6572	117	3	0	1	6507	116	3	0	1	5157	92	2	0	1
			5W	6012	107	3	0	2	5954	106	3	0	2	4717	84	3	0	1
48	350mA	55W	2	6187	112	2	0	3	6126	111	2	0	3	4855	88	1	0	2
			3	6492	118	2	0	2	6428	117	2	0	2	4885	89	1	0	2
			4	6304	115	1	0	2	6242	113	1	0	2	4946	90	1	0	2
			5S	7010	127	3	0	0	6941	126	3	0	0	5500	100	2	0	0
			5M	6947	126	3	0	1	6878	125	3	0	1	5451	99	3	0	1
			5W	6353	116	3	0	2	6291	114	3	0	2	5409	98	3	0	2
32	700mA	76W	2	7751	102	2	0	3	7674	101	2	0	3	6082	80	2	0	3
			3	7767	102	2	0	2	7694	100	2	0	2	6119	81	2	0	2
			4	7896	104	1	0	2	7818	103	1	0	2	6196	82	1	0	2
			5S	8780	116	3	0	0	8693	114	3	0	0	6894	91	3	0	0
			5M	8700	114	3	0	1	8614	113	3	0	1	6827	90	3	0	1
			5W	7959	105	3	0	2	7881	104	3	0	2	6245	82	3	0	2
48	525mA	82W	2	8585	105	2	0	3	8500	104	2	0	3	6736	82	2	0	3
			3	9010	110	2	0	3	8920	109	2	0	3	6777	83	2	0	2
			4	8747	107	1	0	2	8660	106	1	0	2	6863	84	1	0	2
			5S	9725	119	3	0	0	9629	117	3	0	0	7630	93	3	0	0
			5M	9637	118	3	0	2	9541	116	3	0	2	7563	92	3	0	1
			5W	8816	108	4	0	2	8729	106	4	0	2	7506	92	3	0	2
48	700mA	110W	2	11713	106	3	0	3	11597	105	3	0	3	9191	84	2	0	3
			3	12293	112	3	0	3	12171	111	3	0	3	9247	84	2	0	3
			4	11935	108	2	0	3	11816	107	2	0	3	9364	85	2	0	2
			5S	13269	121	3	0	0	13138	119	3	0	0	10411	95	3	0	0
			5M	13149	120	4	0	2	13019	118	4	0	2	10317	94	3	0	2
			5W	12028	109	4	0	3	11910	108	4	0	3	9409	86	4	0	2

Lumen values are from photometric tests performed in accordance with IESNA LM-79-08. Data is considered to be representative of the configurations shown. Actual performance may differ as a result of end-user environment, application and inherent performance tolerances of the electrical components.

**PROJECTED LUMEN MAINTENANCE**

AMBIENT TEMP.	0	25,000	50,000	*TM-21-11 60,000	100,000	CALCULATED L70 (hours)
25°C / 77°F	1.00	0.98	0.96	0.96	0.94	>675,000
40°C / 104°F	0.98	0.96	0.95	0.94	0.92	>556,000

\* Nichia 219B, 700mA, 85°C Ts, 10,000hrs

**LUMINAIRE AMBIENT TEMPERATURE FACTOR (LATF)**

AMBIENT DATA		
TEMP		LUMEN MULT.
0°C	32°F	1.02
10°C	50°F	1.01
20°C	68°F	1.00
25°C	77°F	1.00
30°C	86°F	1.00
40°C	104°F	0.98
50°C	122°F	0.98



## ELECTRICAL DATA

NUMBER OF LED's	NUMBER OF DRIVERS	Drive Current [milliamps]	INPUT VOLTAGE (VOLTS)	OPER. CURRENT [AMPS]	SYSTEM POWER [WATTS]	IN-RUSH CURRENT (AMPS)
16	1	std. (700mA)	120	0.32	37.8	
			277	0.15	37.5	
			347			
			480			
32	2		120	0.63	75.5	
			277	0.29	74.8	
			347			
			480			
48	3		120	0.95	110.5	
			277	0.44	110.9	
			347			
			480			

Consult factory for 350mA and 520mA electrical data

## ACCESSORIES/REPLACEMENT PARTS - Order Separately

CATALOG NUMBER	DESCRIPTION
SCP-REMOTE	Remote control for SCP option. Order at least one per project to program and control
SWUSB*	SiteSync interface software loaded on USB flash drive for use with owner supplied PC (Windows based only). Includes SiteSync license, software and USB radio bridge node.
SWTAB*	Windows tablet and SiteSync interface software. Includes tablet with preloaded software, SiteSync license and USB radio bridge node.
SWBRG+	SiteSync USB radio bridge node only. Order if a replacement is required or if an extra bridge node is requested.
93052458	20KA surge protection with an end of life LED indicator

\* When ordering SiteSync at least one of these two interface options must be ordered per project.

+ If needed, an additional Bridge Node can be ordered.

## PHOTOCONTROL EQUIPMENT

CATALOG NUMBER	DESCRIPTION
PTL-1	Photocontrol - twist-lock cell (120V)
PTL-8	Photocontrol - twist-lock cell (120-277V)
PTL-5	Photocontrol - twist-lock cell (480V)
PTL-6	Photocontrol - twist-lock cell (347V)
PSC	Shorting cap - twist-lock

## MOUNTING ACCESSORIES

CATALOG NUMBER	DESCRIPTION
CL1S-RPA3-ACC-XX <sup>1</sup>	Round pole adapter for straight arm (3¼ - 3¾")
CL1S-RPA4-ACC-XX <sup>1</sup>	Round pole adapter for straight arm (3⅞ - 4½")
WB-AREA-XX	Wall bracket

<sup>1</sup> Replace XX with color choice, eg.: DB for Dark Bronze

## TENON TOP POLE BRACKET ACCESSORIES

(2 3/8" OD tenon, RSS version requires 4" round pole adapter)

Catalog Number	Description
SETA2-XX <sup>1</sup>	Square pole tenon adapter (4 at 90 degrees)
RETA2-XX <sup>1</sup>	Round pole tenon adapter (4 at 90 degrees)
TETA-XX <sup>1</sup>	Triangular pole tenon adapter (3 at 120 degrees)

<sup>1</sup> Replace XX with color choice, eg.: DB for Dark Bronze

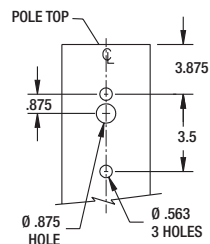
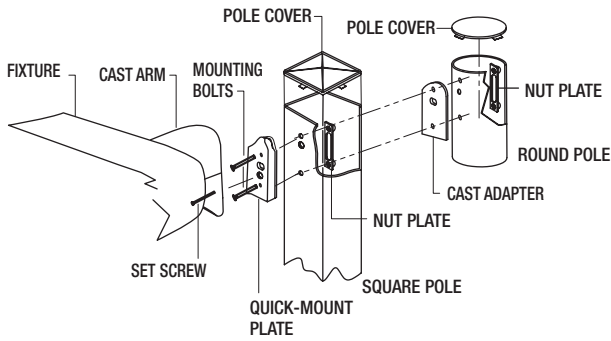
## SURGE PROTECTION

- Field replaceable surge protection device (SPD) provides 20KA and 10KV protection meeting ANSI/IEEE C62.41.2 Category C High and Surge Location Category C3
- The SPD is designed with a clamping voltage of 1600V at 20KA using industry standard 8/20µs waveform
- Max surge current = 20,000 Amps (see table)
- LED Indicator – Green LED is unlit at end of life

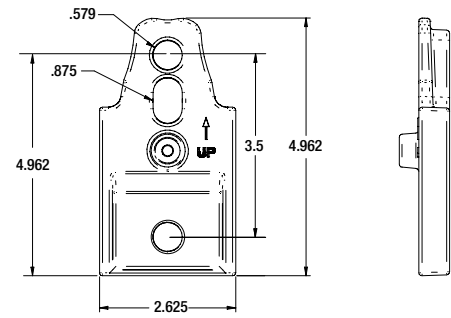
Pulse Rating (8 x 20 µSec)		cRUus	CE
		I <sub>n</sub>	10KA
Strikes	Surge		5KA
1	20,000 A		
2	15,000 A		
15	10,000 A		
120	3,000 A		



## FIXTURE MOUNTING



#2 DRILL PATTERN FOR POLES

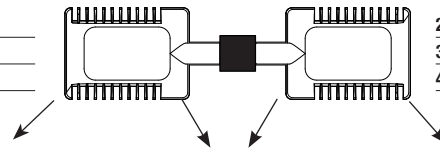


QUICK-MOUNT PLATE

## FIXTURE MOUNTING – FACTORY ROTATED OPTICS

For proper light distribution and performance, rotated optics must be mounted as referenced in illustration. Consult instruction sheet included when mounting.

- 2L Type II rotated 90° left
- 3L Type III rotated 90° left
- 4L Type IV rotated 90° left

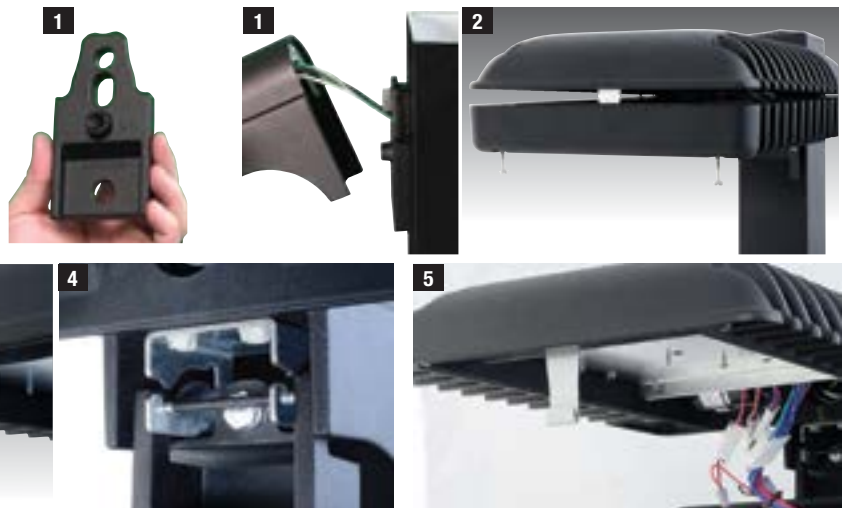


- 2R Type II rotated 90° right
- 3R Type III rotated 90° right
- 4R Type IV rotated 90° right

## QUICK MOUNT INSTALLATION

The Cimarron CL1S installation features:

- 1 Quick-mount plate attaches to pole with two 3/4" bolts
- 2 4 - slot hex 1/4" captured screws secure luminaire door to top
- 3 Safety-latch holds luminaire door to prevent "free swing" door
- 4 Two stage hinge mechanism built into integral arm
- 5 Quick-connect wiring for a simplified, hassle-free installation



For installation video scan this code or visit link below:



<http://www.youtube.com/user/hubbelloutdoorbrands>



**PGN**

**High Performance LED Sconce**

Catalog Number	
Comments	Type

**FEATURES**

**Application**

The PGN is an indoor or outdoor architectural high performance LED sconce which offers "Normally On" and emergency operation in one fixture. "Normally On" operation is powered by line voltage (120 or 277) that can be switched on/off and used for accent lighting, entrance/exit illumination. Failure of line voltage will result in automatic operation from secondary DC voltage which must be supplied from an external 6-12V DC emergency lighting unit. The PGN includes a field installable full cut-off shield to address "dark sky" compliant requirements.

**Construction**

Housing and mounting plate are constructed of 1/8" die-cast aluminum and sealed with a 1/8" closed-cell silicone gasket. The acrylic lens allows 92% light transmission. The reflector is electro-polished aluminum with 95% reflectance. Housing finish is powder coated electro-deposition paint available in four colors: dark bronze, white, platinum silver and black. Full cut-off shield constructed of cold-rolled steel, painted to match color as ordered.

**Installation**

Universal backplate knockouts for mounting to standard 3 1/2", 4" octagonal and 4" square electrical boxes. Backplate mounting is performed using installer supplied hardware. An adhesive-backed neoprene gasket is provided to ensure a waterproof seal. A 1/2" - 1/4" NPT threaded conduit opening is provided at the top of the enclosure and sealed with a closure plug. The housing "snaps" to the back plate by a "pin and socket" arrangement, and is secured with two Phillips head screws.

**Illumination**

The unit is illuminated by 4 high power LED's arranged so that in the event of 1 or 2 LED failures the unit will continue to operate.

**Compliances**

- UL 924 Listed
- UL Wet Location Listed
- NFPA 101 Life Safety Code
- NFPA 70 National Electrical Code
- OSHA
- IES full cut-off compliant with application of field installed shield
- U.S. Patent No. D627,916

**Warranty**

Three-year warranty for unit and electronics



**ORDERING GUIDE**

**PGN**

Model

Finish

- W - White
- Z - Dark Bronze
- P - Platinum Silver
- B - Black





**PGN**

**High Performance LED Sconce**

**SPECIFICATIONS**

**Electronics**

The PGN has two modes of operation:

Normal mode: In normal mode, power is supplied from 120V or 277V AC source and may be switched on/off allowing the unit to behave like a typical luminaire.

Emergency mode: Upon failure of normal utility power, an external (6-12VDC) emergency power source (supplied separately) having transfer logic will operate the PGN as an emergency unit. In order for the unit to function properly as emergency lighting (NEC 700.12), the DC emergency source must be powered (under normal conditions) from the same AC circuit as that to the unit.

Number of Lamps: Four High Output LEDs

LED Lamplife: 48,000 hrs. at 70% of initial

Lamp Configuration: 4 individually driven LEDs provide illumination. In the event of 1 or 2 LED failures, the remaining LED's will continue to function.

Lamp Color: Neutral White, 4000K

Color Rendering Index (CRI): 75

Total Lamp Output: 445 Lumens min. initial

Input: 120/277VAC, 60 Hz. "Normal"

6-12VDC "Emergency"

Functional Circuitry: Transient surge protection

**Operating Temperature Range**

-30°C to 50°C (-22°F to 122°F)

**Power Consumption:**

**Normal**

17W @ 120VAC, 17W @277VAC

**Emergency**

12W @ 6VDC, 13W @12VDC

Power Factor: Average .80 (lagging)

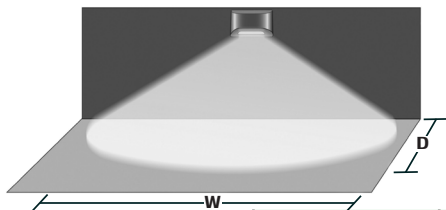
**ILLUMINATION PATTERN**

**Single Unit Coverage**

Mounting Height: 9'

Outdoor Reflectance: 0/30/10

Indoor Reflectance: 80/50/20



	Indoor	Outdoor
1 FC Average (W x D)	35' X 10'	29' X 10'
1 FC Minimum (W x D)	11' X 10'	10' X 10'

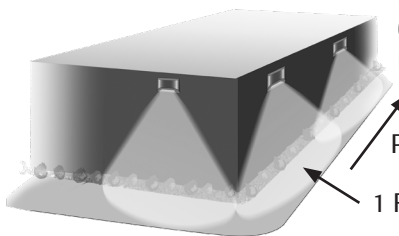
**Multiple Unit Spacing**

Mounting Height: 9'

Illuminated Path Depth: 6'

Outdoor Reflectance: 0/30/10

Indoor Reflectance: 80/50/20

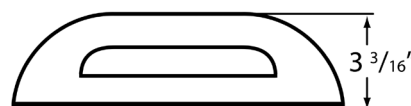
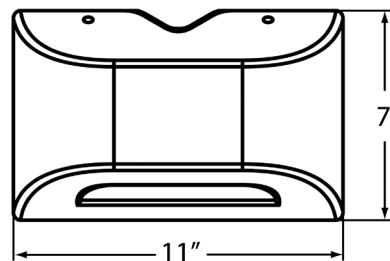


Path of Egress

1 FC Average

	Indoor	Outdoor
1 FC Average	49'	37'
1 FC Minimum	19'	16'

**DIMENSIONS**



**COMPATIBLE EMERGENCY UNITS**

		6 V DC	12V DC	120/277 VAC	Remote Capacity	# of PGN
<b>Combo<sup>(1)</sup></b>	HCXURWRC12	✓			12 W	1
	HCXURW-0-RC12	✓			23 W	1
<b>Unit<sup>(1)</sup></b>	LZ30	✓			20 W	1
	LZ65	✓			55 W	4
	LM33	✓			18 W	1
	LM40	✓			25 W	2
	LM40-12V		✓		25 W	2
	AS80	✓			65 W	5
<b>Inverter</b>	LiteGear® LG125			✓	125 Va	6

<sup>(1)</sup> Each instance assumes standard lamp-heads are used on the unit, except the **HCXURW-0-RC12**, which is supplied without lamp heads.

**GEOPAK SERIES**  
**SIZE 1 LED**  
 Architectural Wallpack  
 TRP1/RD11/QSP1

**NEW**

Cat.#	
Job	Type

**HUBBELL**  
**Outdoor Lighting**

Approvals

**SPECIFICATIONS**

**APPLICATIONS**

- Small sized architectural wallpacks in three stylish shapes with molded contours to accentuate building architecture. Provides excellent illumination in energy-saving LED systems.
- Back box accessory available for surface conduit application.

**Construction:**

- Housing is made from die-cast aluminum with a hinged back-plate for ease of installation and maintenance.
- The LED bezel and trim-plate are made of stainless steel.
- Five powder coat standard finishes, plus custom color options.
- Wet Location Listed to UL924 and UL1598 Standard.

**LED:**

- 12 high power LEDs delivering up to 3,000 lumens.
- Up to 118 lumens per watt
- Type II, III and IV distributions for a wide variety of applications.
- Zero uplight (UO), dark sky, neighbor friendly

**Electrical:**

- 120-277 operation, 50/60Hz
- 0-10V dimming driver standard
- 10kA surge protector
- Photocell and occupancy sensor options available for complete on/off and dimming control

**Battery Backup:**

- Integral Battery Backup provides emergency lighting for the required 90 minute path of egress.
- Includes a long-life Lithium Iron Phosphate battery with optional battery heater for cold temperature application.
- Utilizes 4 LEDs in emergency mode with 657 lumens. Each of the 4 LEDs in emergency are designed to function independently in the unlikely event of a single LED malfunction
- Spectron® self-testing/self-diagnostic electronics are included standard
- Independent dedicated driver and LED array for battery/emergency mode operation.

**Installation:**

- Universal plate for mounting to standard 3 1/2" and 4" square electrical boxes. All connections are made from connections at the rear of the unit.
- Optional back-box accessory available for surface conduit application. See BB-Geo accessories.

**Listings:**

- UL 1598 listed for use in wet locations
- Drivers IP66 and RoHS compliant
- DesignLights Consortium® (DLC) qualified. Please refer to the DLC website for specific product qualifications at [www.designlights.org](http://www.designlights.org)

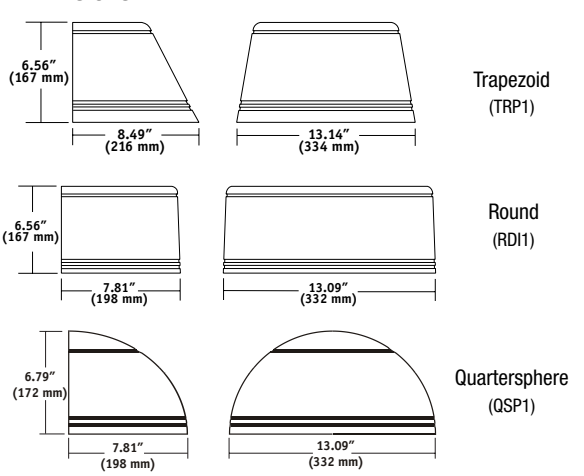
**Warranty:**

- For more information visit: <http://www.hubbelloutdoor.com/resources/warranty/>

**PRODUCT IMAGE(S)**



**DIMENSIONS**



**SHIPPING INFORMATION**

Catalog Number	Weight (lbs)	Carton Dimensions		
		Length Inch (cm)	Width Inch (cm)	Height Inch (cm)
TRP1	11.5	17.0	9.9	10.0
RD11	11.5	18.0	11.0	9.25
QSP1	10.5	17.0	9.6	10.5

**CERTIFICATIONS/LISTINGS**



**ORDERING INFORMATION**

ORDERING EXAMPLE: TRP-12L-20-4K-3-1-BL-SCP-EH

HOUSING	VERSION	WATTAGE	CCT/CRI	DISTRIBUTION	VOLTAGE	FINISH	CONTROL OPTIONS	OPTIONS
TRP1 Trapezoid	12L 12 LEDs	15 15 watts	3K7 3000K, 70CRI	2 Type II	U 120-277	BL Black	PCU Button Photocell	F <sup>4</sup> Fusing (only available with STD fixture configuration, 120-277V only)
RD11 Radius		20 20 watts	4K7 4000K, 70CRI	3 Type III	1 120	DB Bronze	SCP <sup>2,3</sup> Programmable Motion Sensor	E <sup>1</sup> Battery Pack (0°C)
QSP1 Quartersphere		30 30 watts	5K7 5000K, 70CRI	4 Type IV	2 208 3 240 4 277	GR Gray PS Platinum WH White CC Custom	<b>SPECIFY SCP HEIGHT</b> 8F Up to 8ft mount height 20F Up to 20ft mount height	EH <sup>1</sup> Battery Pack (-30°C) with heater

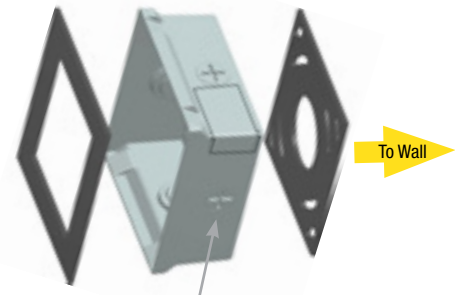
<sup>1</sup> Voltage specific (120 or 277V only)  
<sup>2</sup> Must order minimum of one remote control to program dimming settings, 0-10V fully adjustable dimming with automatic daylight calibration and different time delay settings, 120-277V only  
<sup>3</sup> PCU option not applicable, included in sensor  
<sup>4</sup> Must specify input voltage (120, 208, 240 or 277)

**ACCESSORIES - Order separately**

Catalog Number	Description
SCP-REMOTE <sup>2</sup>	Remote control for SCP option. Order at least one per project to program and control.
BB-GEO-XX	Back box with 4 - 1/2" threaded conduit holes, specify finish by replacing "XX" with finish selection, eg. Dark Bronze "DB"

<sup>2</sup> Must order minimum of one remote control to program dimming settings, 0-10V fully adjustable dimming with automatic daylight calibration and different time delay settings, 120V-277V only

BB-GEO-XX



Fixture gasket 4 - 1/2" conduit entries Wall gasket



BB-GEO-XX – Mounted to luminaire

**PERFORMANCE DATA (AC/Standard Configurations)**

# OF LEDS	DRIVE CURRENT	SYSTEM WATTS	DIST. TYPE	5K (5000K nominal, 70 CRI)					4K (4000K nominal, 70 CRI)					3K (3000K nominal, 70 CRI)				
				LUMENS	LPW <sup>1</sup>	B	U	G	LUMENS	LPW <sup>1</sup>	B	U	G	LUMENS	LPW <sup>1</sup>	B	U	G
12	350mA	13.9	2	1635	118	1	1	1	1577	113	1	1	1	1497	108	1	1	1
			3	1613	116	1	0	1	1556	112	1	0	1	1477	106	1	0	1
			4	1607	116	0	0	1	1550	111	0	0	1	1471	106	0	0	1
			2	2268	114	1	1	1	2176	109	1	1	1	2077	104	1	1	1
	500mA	19.9	3	2245	113	1	0	1	2140	108	1	0	1	2049	103	1	0	1
			4	2229	112	0	0	1	2150	108	0	0	1	2041	103	0	0	1
			2	2942	104	1	1	1	2885	102	1	1	2	2721	96	1	1	1
			3	2912	103	1	0	1	2836	101	1	0	1	2685	95	1	0	1
	700mA	28.2	4	2892	103	1	0	1	2789	99	1	0	1	2674	95	1	0	1

**Electrical Data**

**Input Power Consumption**

Drive Current (mA)	Input Voltage (V)	System Power (w)	Current (Amps)
350mA	120	13.9	0.12
	277		0.05
500mA	120	19.9	0.17
	277		0.07
700mA	120	28.2	0.24
	277		0.10

Battery backup units consume additional power during charging (maximum 32.2 watts for E, 50.7 watts for EH)

**Projected Lumen Maintenance**

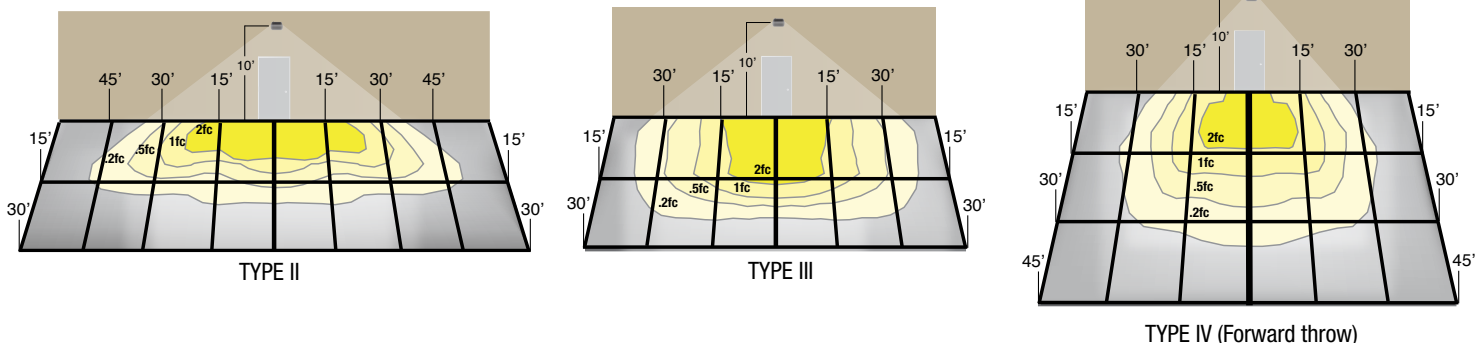
Ambient Temp.	Operating Hours					L70 (hours)
	0	25,000	50,000	TM-21-11 <sup>1</sup>	100,000	
25°C/77°F	1.00	0.98	0.97	0.95	0.91	>345,000
40°C/104°F	1.00	0.96	0.95	0.92	0.87	>268,000

**LUMINAIRE AMBIENT TEMPERATURE FACTOR (LATF)**

AMBIENT TEMPERATURE	LUMEN MULTIPLIER	
0° C	32° F	1.02
10° C	50° F	1.01
20° C	68° F	1.00
25° C	77° F	1.00
30° C	86° F	1.00
40° C	104° F	0.99
50° C	122° F	0.98

Use these factors to determine relative lumen output for average ambient temperatures from 0-40°C (32-104°F).

**PHOTOMETRIC REPORTS (30w, 4000K shown)**



## GeoPak - Battery Back Up

Functional Circuitry: Transient surge protection device on AC input. Upon failure of the normal utility power, an LED driver is automatically activated to power the emergency LEDs. Upon resumption of normal utility power, the LED driver is turned off, and the battery is recharged through a micro-controller based 3-stage charger. The battery is a maintenance-free Lithium Iron Phosphate (LiFePo) type. A low voltage battery disconnect (LVD) feature protects the battery from severe damage during prolonged power failures. Manual testing is available at any time using the push-to-test button. The optional heater features a heating wrap and thermostat to maintain optimal battery temperature during charge or discharge. The GeoPak includes the following features:

- Battery re-charge within 24 hours
- AC Lock-out circuit
- Self-diagnostics monitors LED status, LED driver circuit, battery capacity and charger function and displays any fault detection by means of a flashing code.

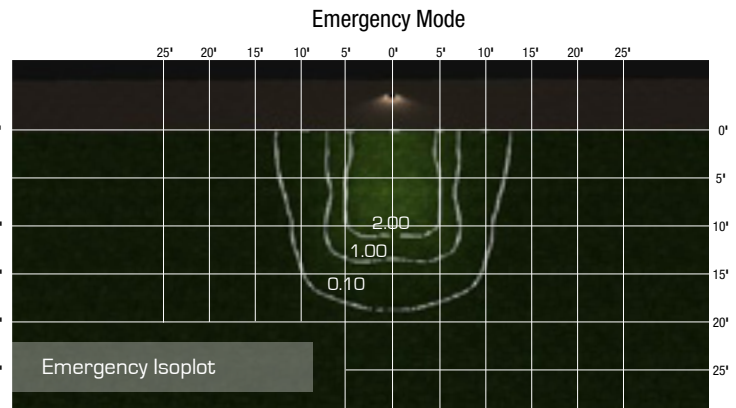
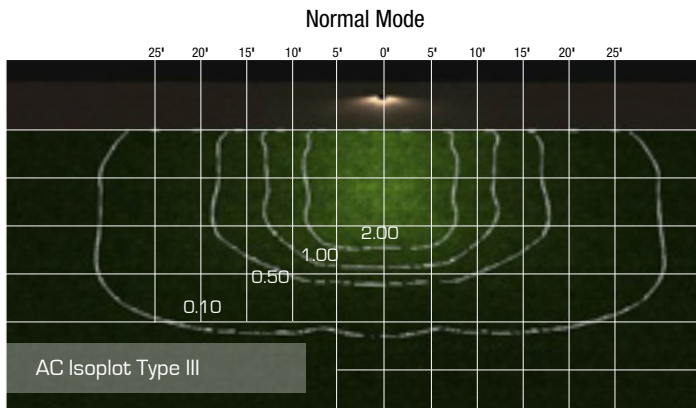
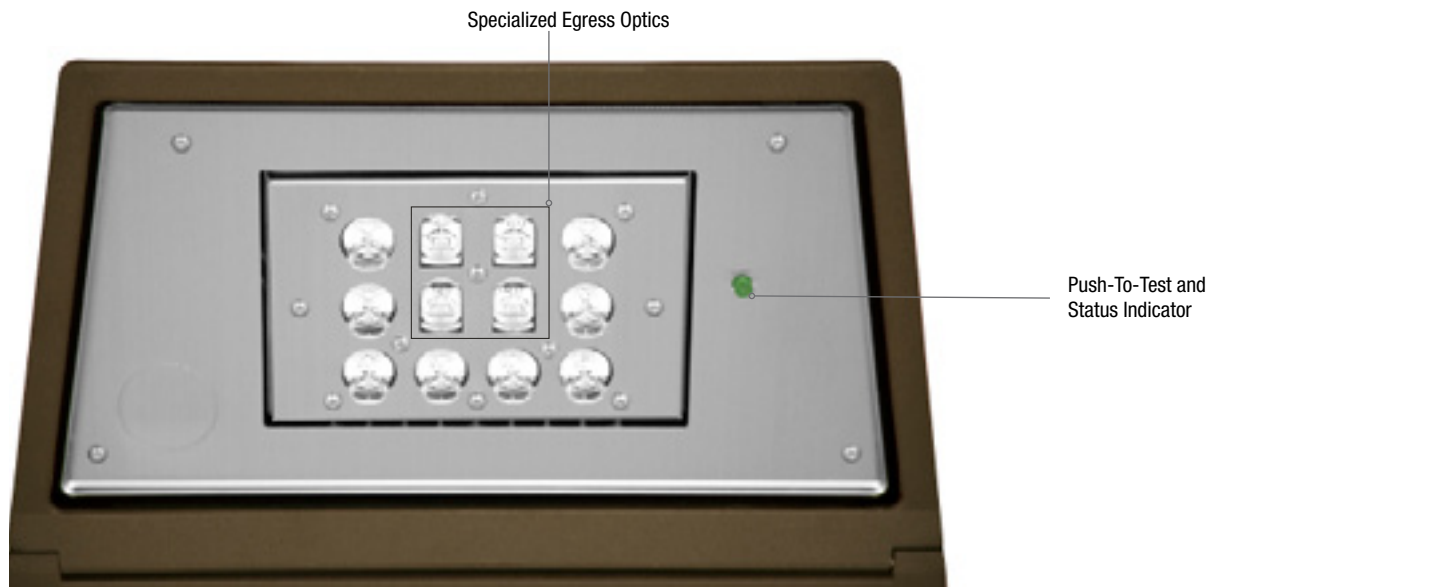
### Emergency Photometric Performance (1 fc average .1 fc minimum)

28' multi-unit spacing at 10' MH with 0/30/10 reflectances on a 6' path

26' x 10' single unit coverage at 10' MH with 0/30/10 reflectances

6' x 19' forward throw coverage at 10' MH with 0/30/10 reflectances

- Self-Test feature runs a 1 minute test once a month and an alternating 30 or 60 minute test once every 6 months. Multi-color LED indicator provides visible fault detection and charging status.
- User initiated 1, or 90-minute system test feature
- 15 minute re-transfer delay
- Automatic unit transfer in brown-out conditions (below 80% of nominal AC input voltage).
- Battery backup units consume 6 watts when charging a dead battery and 2 watts during maintenance charging. EH (units with a heater) consume up to an additional 8 watts when charging if the battery temp is lower than 10°C



Provides Life Safety Code average illuminance of 1.0 fc. Assumes open space with no obstructions.

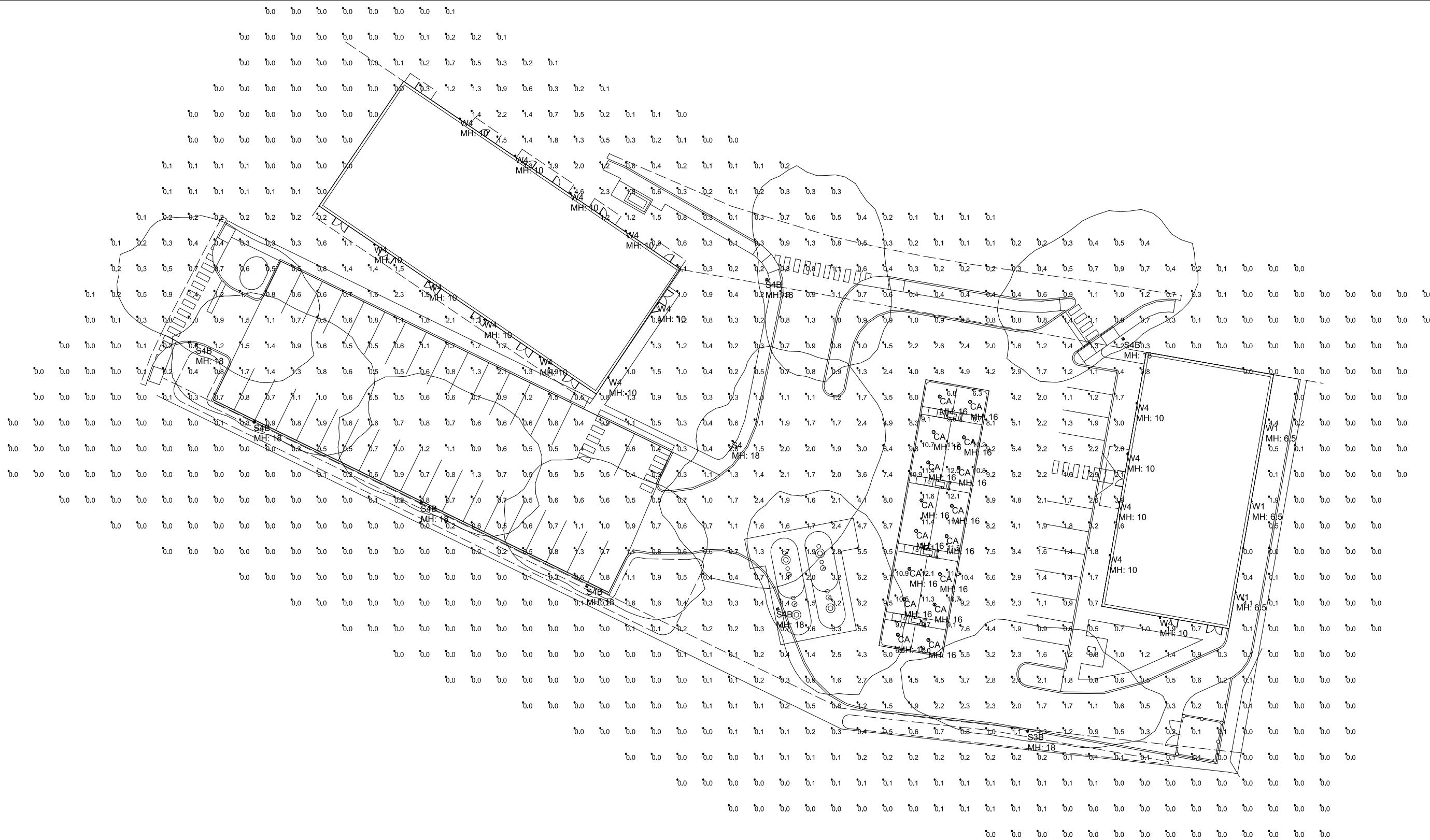
Diagrams for illustration purposes only, please consult factory for application layout.

Calculation Summary					
Label	Avg	Max	Min	Avg/Min	Max/Min
PUMPS	10.18	12.1	6.3	1.6	1.9
SITE	0.81	10.9	0.0	N.A.	N.A.
RETAIL PARK	0.77	2.1	0.3	2.6	7.0

PUMP CANOPY LIGHTS "ON"

Luminaire Schedule (note fixture catalogue numbers are not complete)					
Type	Qty	Lum. Lumens	LLF	Lum. Watts	Description
CA	16	4915	0.900	55.6	ARS-24L4K-070-5M-CS
S3B	1	3561	0.900	56	CL1S-32L-4K-3-053-BC
S4B	7	2801	0.900	38	CL1S-32L-4K-4-035-BC
S4	1	5905	0.900	56	CL1S-32L-4K-4-053
W1	3	413	0.900	17.7	PGN WITH Full Cutoff Visor
W4	15	1550	0.900	13.9	TRP1-12L15-4K7-4

- NOTES:
- 1) EXACT MOUNTING DETAILS TO BE DETERMINED AT JOBSITE BY OTHERS.
  - 2) CALCULATIONS MAY OR MAY NOT SHOW THE EFFECT OF SHADOWING CAUSED BY BUILDINGS AND OBJECTS WITHIN THE CALCULATED SPACE OR IN THE SITE AREA.
  - 3) READINGS SHOWN ARE INITIAL HORIZONTAL FOOTCANDLES ON A FLAT SITE WITHOUT REFLECTIONS OR OBSTRUCTIONS UNLESS OTHERWISE INDICATED.
  - 4) THIS CALCULATION IS BASED ON LIMITED INFORMATION SUPPLIED BY OTHERS TO SWANEY LIGHTING ASSOCIATES AND STANDARD ASSUMPTIONS OF THE SPACE AND/OR SITE.
  - 5) CONFORMANCE TO CODES AND OTHER LOCAL REQUIREMENTS AS DETERMINED BY THE AHJ ARE THE RESPONSIBILITY OF THE OWNER AND/OR THE OWNER'S REPRESENTATIVE.
  - 6) THIS LAYOUT DRAWING MUST BE COORDINATED WITH THE SITE LOCATION FOR CORRECT FIXTURE ORIENTATION.
  - 7) DOCUMENTS PRINTED OR PLOTTED FROM ELECTRONIC FILES MAY APPEAR AT OTHER THAN THE DESIRED OR ASSUMED GRAPHIC SCALES. IT IS THE RESPONSIBILITY OF THE RECIPIENT TO VERIFY THAT THE PRINTED OR PLOTTED-TO-SCALE DRAWING IS PRINTED TO SCALE.



PLAN VIEW

PINE STATE FAMILY MART  
PORTLAND, ME  
SITE LIGHTING LAYOUT

SEBAGO TECH  
SCALE NOT TO SCALE



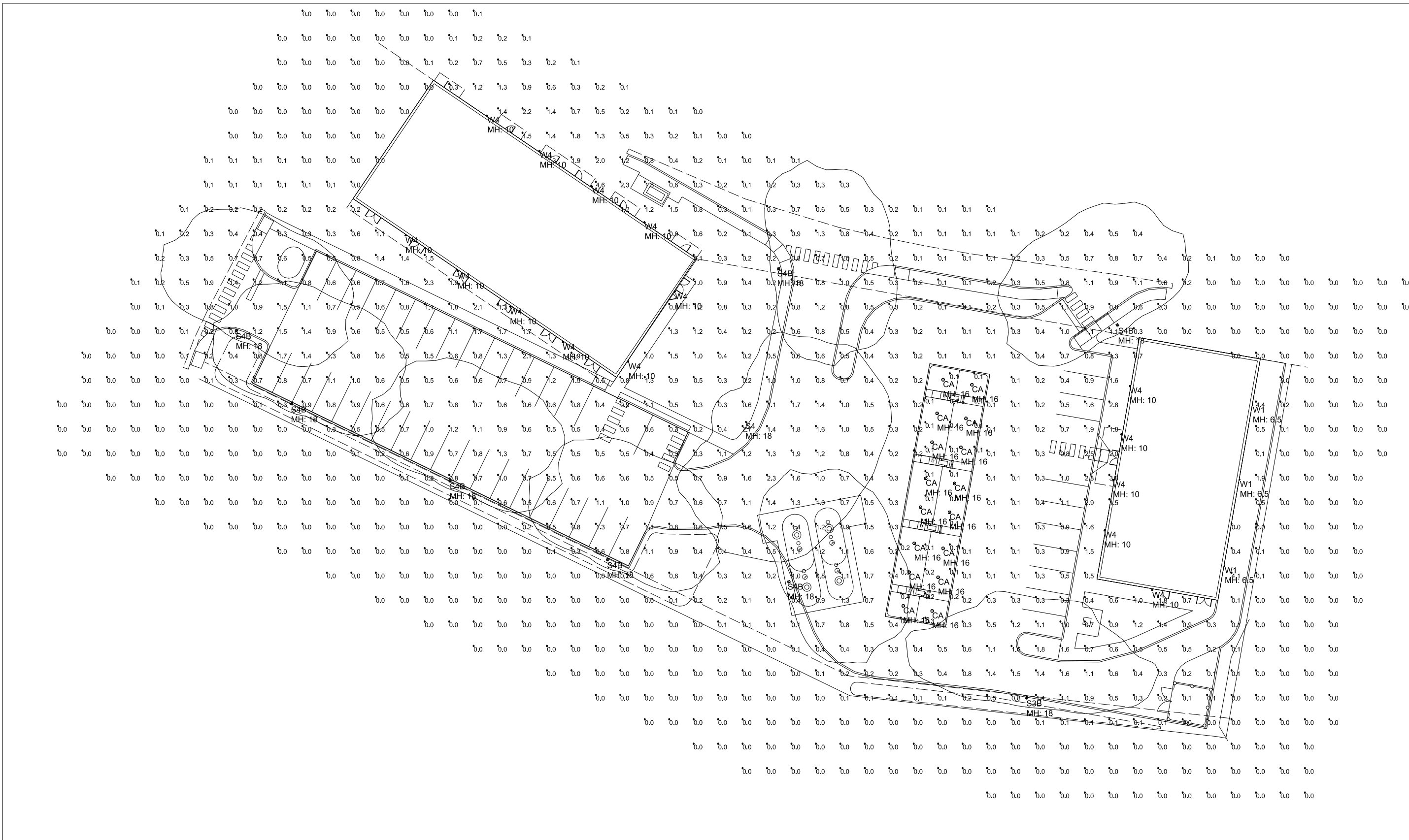
NOTICE: THIS DRAWING IS THE EXCLUSIVE PROPERTY OF SWANEY LIGHTING ASSOCIATES. IT IS TO BE USED FOR THE PROJECT AND SITE SPECIFICALLY IDENTIFIED. THIS DRAWING IS TO BE USED FOR NO OTHER PURPOSE OTHER THAN AS DETAILED INFORMATION CONCERNING THE OPERATION OF UNITS INDICATED. THIS DRAWING IS TO BE USED AS A GUIDE ONLY. IT IS NOT TO BE USED FOR ANY OTHER PURPOSE. THIS DRAWING IS NOT TO BE REPRODUCED, COPIED, OR OTHERWISE TRANSMITTED IN ANY FORM OR BY ANY MEANS, ELECTRONIC OR MECHANICAL, INCLUDING PHOTOCOPYING, RECORDING, OR BY ANY INFORMATION STORAGE AND RETRIEVAL SYSTEM. WITHOUT THE WRITTEN PERMISSION OF SWANEY LIGHTING ASSOCIATES. ANY VARIATION IN FIXTURE PERFORMANCE FROM PERFORMANCE SHOWN IN THIS FILE IS NOT THE RESPONSIBILITY OF THE MANUFACTURER. ITS USE FOR ANY OTHER PURPOSE IS NOT AUTHORIZED BY SWANEY LIGHTING ASSOCIATES.

Calculation Summary					
Label	Avg	Max	Min	Avg/Min	Max/Min
PUMPS	0.15	0.4	0.1	1.5	4.0
SITE	0.40	4.6	0.0	N.A.	N.A.
RETAIL PARK	0.77	2.1	0.3	2.6	7.0

PUMP CANOPY LIGHTS "OFF"

Luminaire Schedule (note fixture catalogue numbers are not complete)					
Type	Qty	Lum. Lumens	LLF	Lum. Watts	Description
CA	16	4915	0.900	55.6	ARS-24L4K-070-5M-CS
S3B	1	3561	0.900	56	CL1S-32L-4K-3-053-BC
S4B	7	2801	0.900	38	CL1S-32L-4K-4-035-BC
S4	1	5905	0.900	56	CL1S-32L-4K-4-053
W1	3	413	0.900	17.7	PGN WITH Full Cutoff Visor
W4	15	1550	0.900	13.9	TRP1-12L15-4K7-4

- NOTES:
- 1) EXACT MOUNTING DETAILS TO BE DETERMINED AT JOBSITE BY OTHERS.
  - 2) CALCULATIONS MAY OR MAY NOT SHOW THE EFFECT OF SHADOWING CAUSED BY BUILDINGS AND OBJECTS WITHIN THE CALCULATED SPACE OR IN THE SITE AREA.
  - 3) READINGS SHOWN ARE INITIAL HORIZONTAL FOOTCANDLES ON A FLAT SITE WITHOUT REFLECTIONS OR OBSTRUCTIONS UNLESS OTHERWISE INDICATED.
  - 4) THIS CALCULATION IS BASED ON LIMITED INFORMATION SUPPLIED BY OTHERS TO SWANEY LIGHTING ASSOCIATES AND STANDARD ASSUMPTIONS OF THE SPACE AND/OR SITE.
  - 5) CONFORMANCE TO CODES AND OTHER LOCAL REQUIREMENTS AS DETERMINED BY THE AHJ ARE THE RESPONSIBILITY OF THE OWNER AND/OR THE OWNER'S REPRESENTATIVE.
  - 6) THIS LAYOUT DRAWING MUST BE COORDINATED WITH THE SITE LOCATION FOR CORRECT FIXTURE ORIENTATION.
  - 7) DOCUMENTS PRINTED OR PLOTTED FROM ELECTRONIC FILES MAY APPEAR AT OTHER THAN THE DESIRED OR ASSUMED GRAPHIC SCALES. IT IS THE RESPONSIBILITY OF THE RECIPIENT TO VERIFY THAT THE PRINTED OR PLOTTED-TO-SCALE DRAWING IS PRINTED TO SCALE.



PLAN VIEW

TITLE  
**PINE STATE FAMILY MART  
 PORTLAND, ME  
 SITE LIGHTING LAYOUT**

GENERATED FOR:  
**SEBAGO TECH**  
 SCALE: NOT TO SCALE



NOTICE: THIS DRAWING IS THE EXCLUSIVE PROPERTY OF SWANEY LIGHTING ASSOCIATES. IT IS TO BE USED FOR THE PROJECT AND SITE SPECIFICALLY IDENTIFIED. THIS DRAWING IS TO BE USED FOR NO OTHER PURPOSE OTHER THAN AS DETAILED INFORMATION CONCERNING THE OPERATION OF UNITS INDICATED. THIS DRAWING IS TO BE USED AS A GUIDE ONLY. IT IS NOT TO BE USED FOR ANY OTHER PURPOSE. THIS DRAWING IS NOT TO BE REPRODUCED, COPIED, OR OTHERWISE TRANSMITTED IN ANY FORM OR BY ANY MEANS, ELECTRONIC OR MECHANICAL, INCLUDING PHOTOCOPYING, RECORDING, OR BY ANY INFORMATION STORAGE AND RETRIEVAL SYSTEM, WITHOUT THE WRITTEN PERMISSION OF SWANEY LIGHTING ASSOCIATES. ANY VARIATION IN FIXTURE PERFORMANCE FROM PERFORMANCE SHOWN IN THIS FILE IS NOT THE RESPONSIBILITY OF THE MANUFACTURER. ITS USE FOR ANY OTHER PURPOSE IS NOT AUTHORIZED BY SWANEY LIGHTING ASSOCIATES.