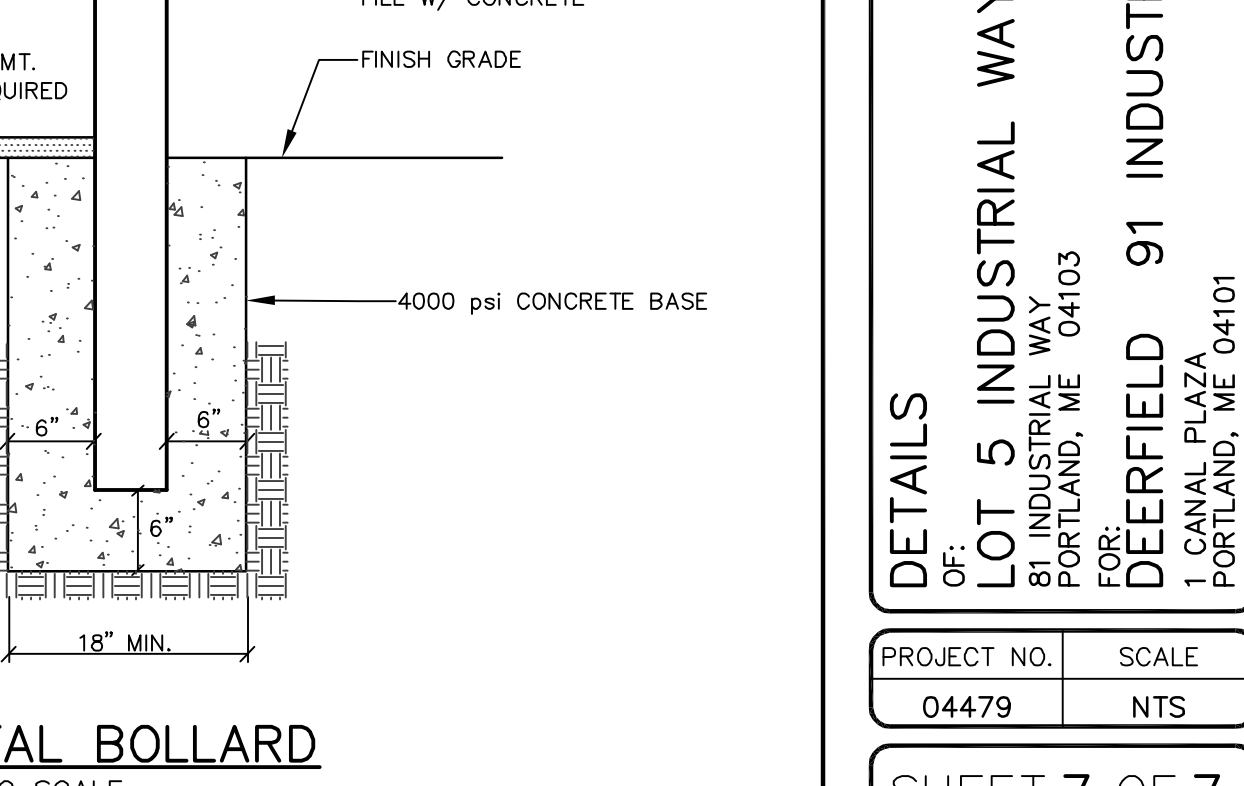
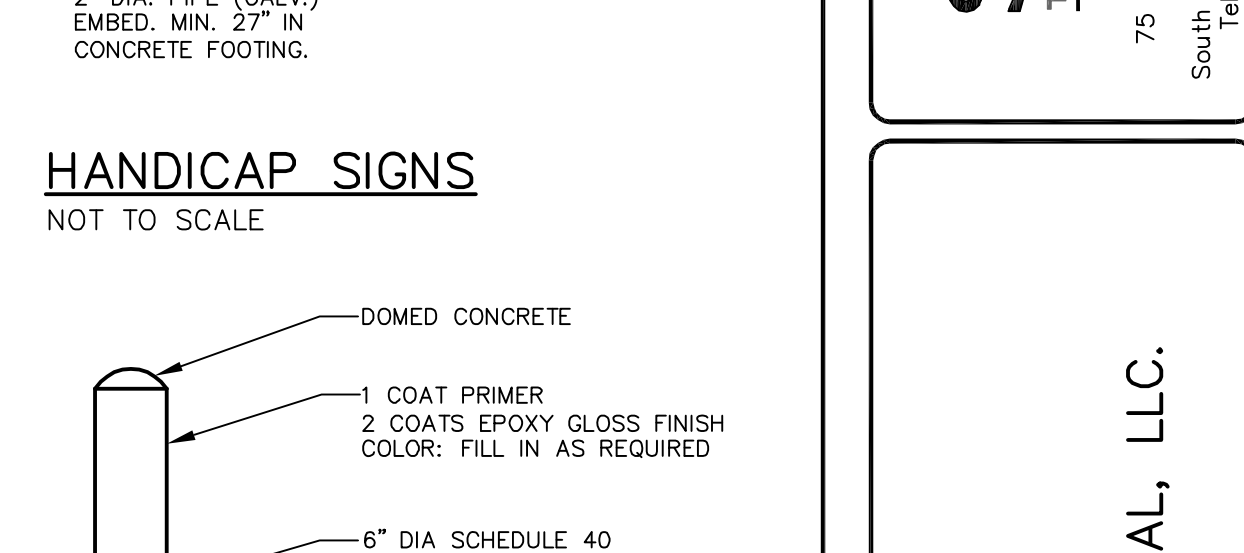
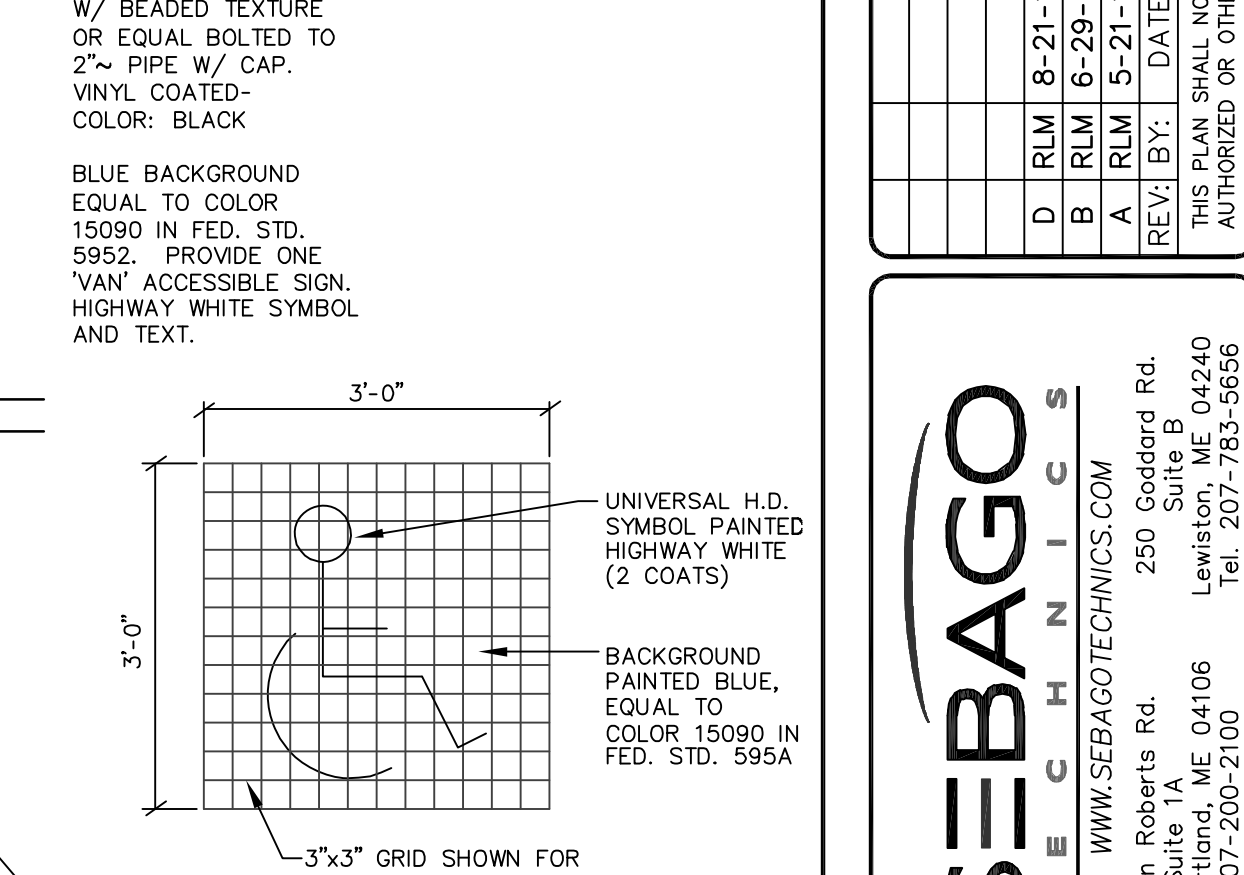
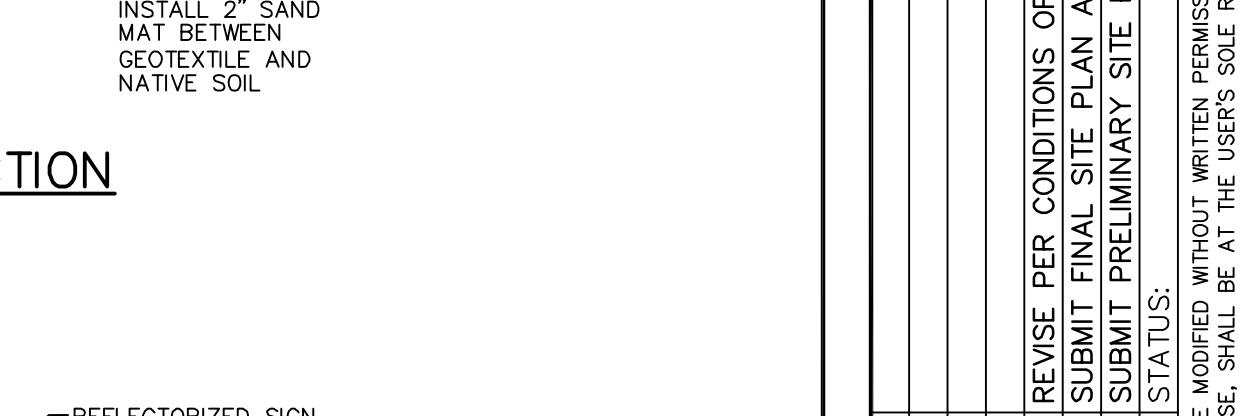
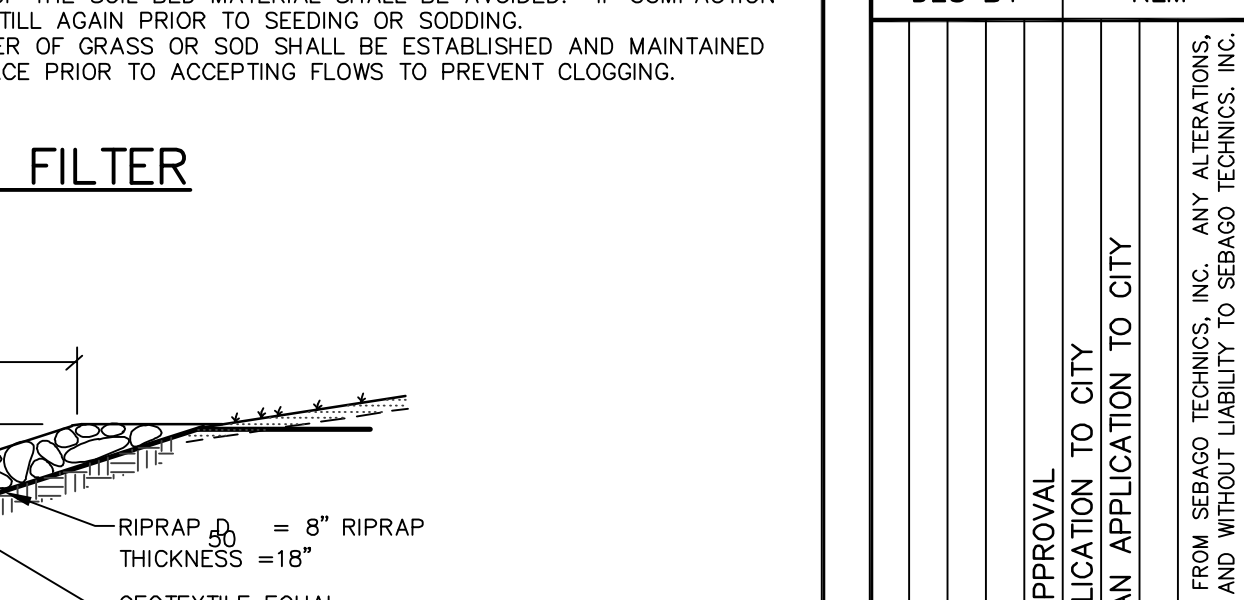
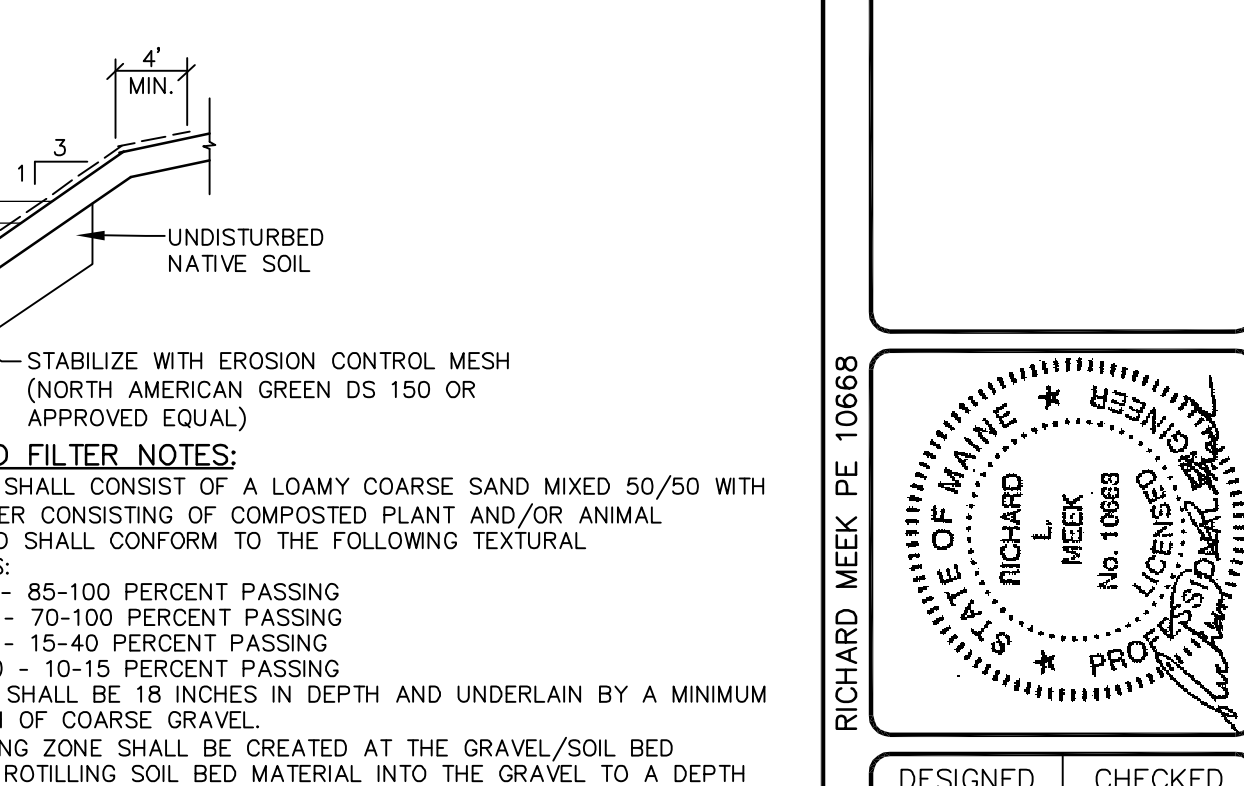
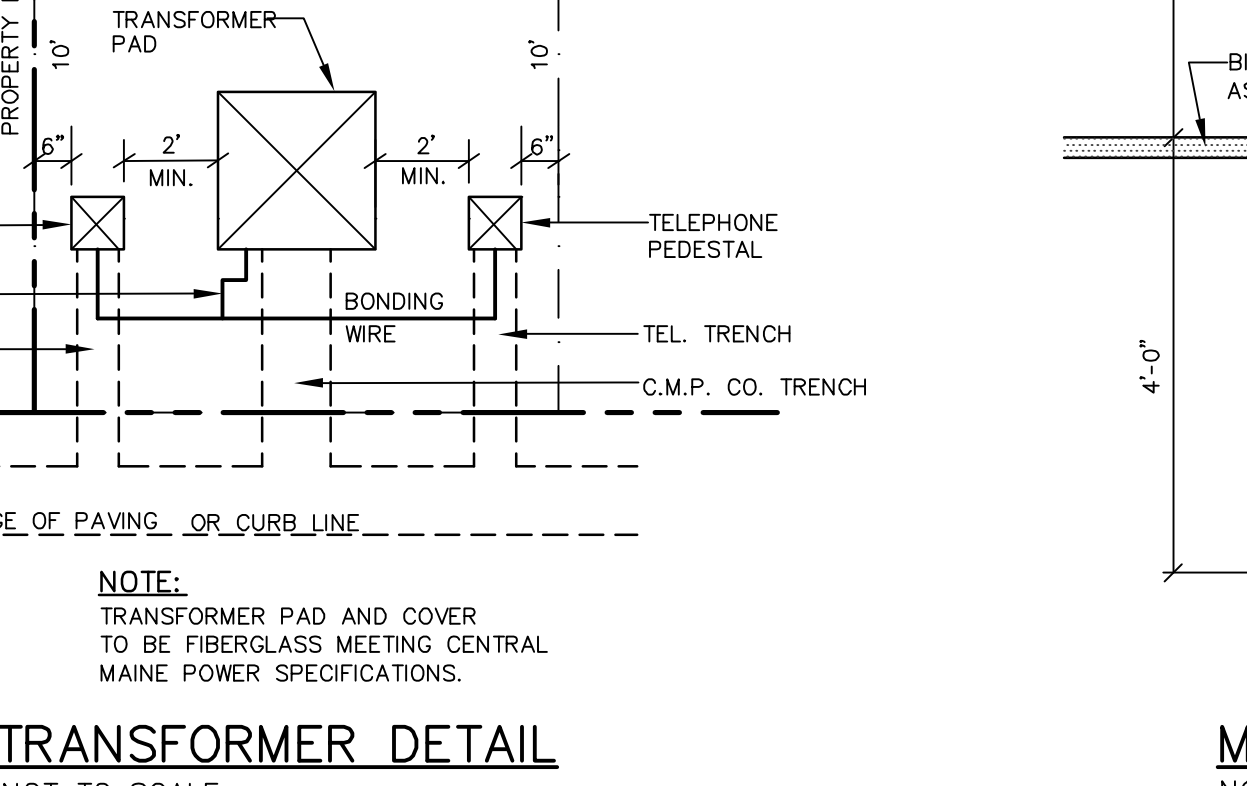
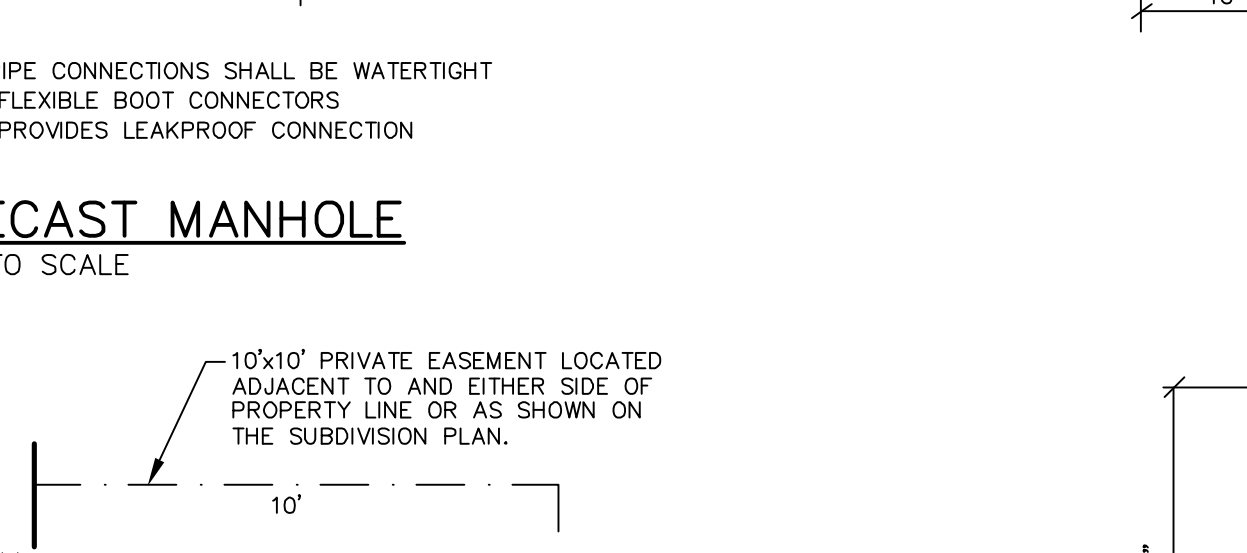
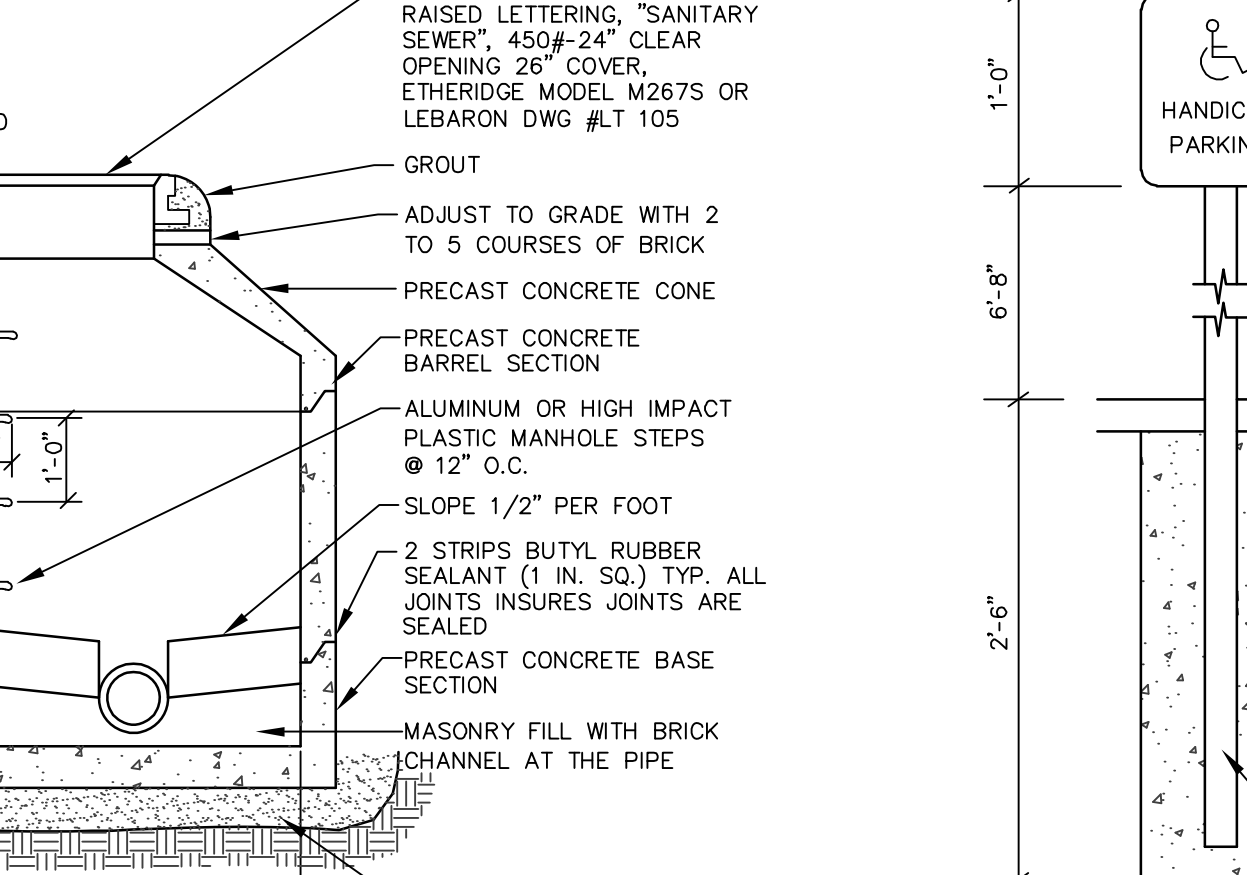
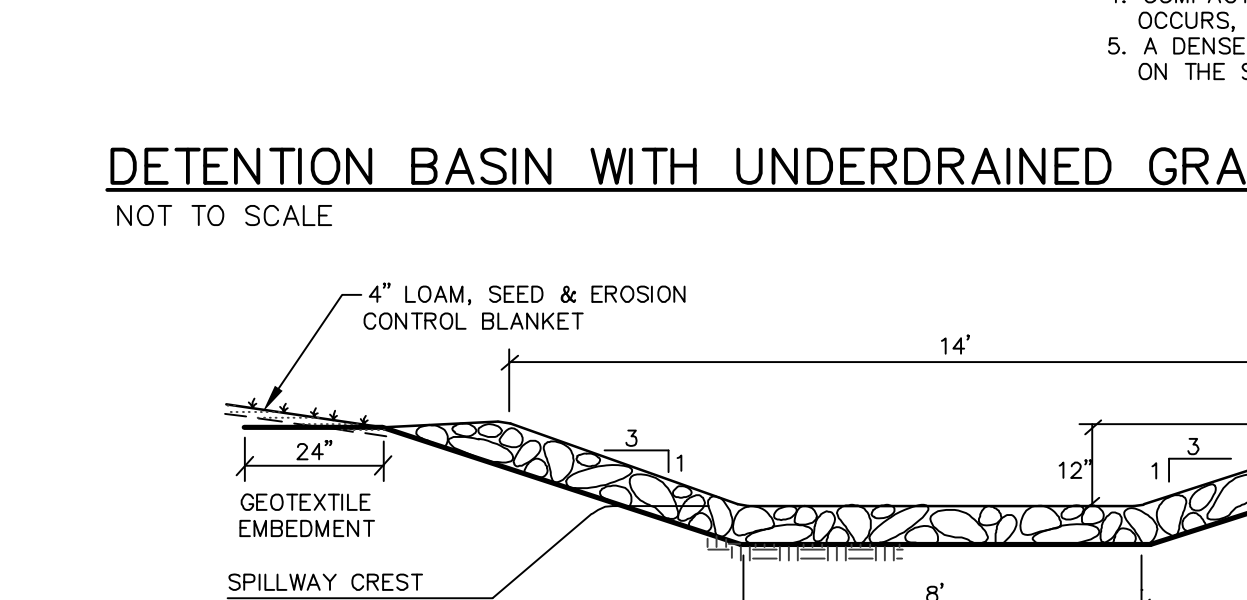
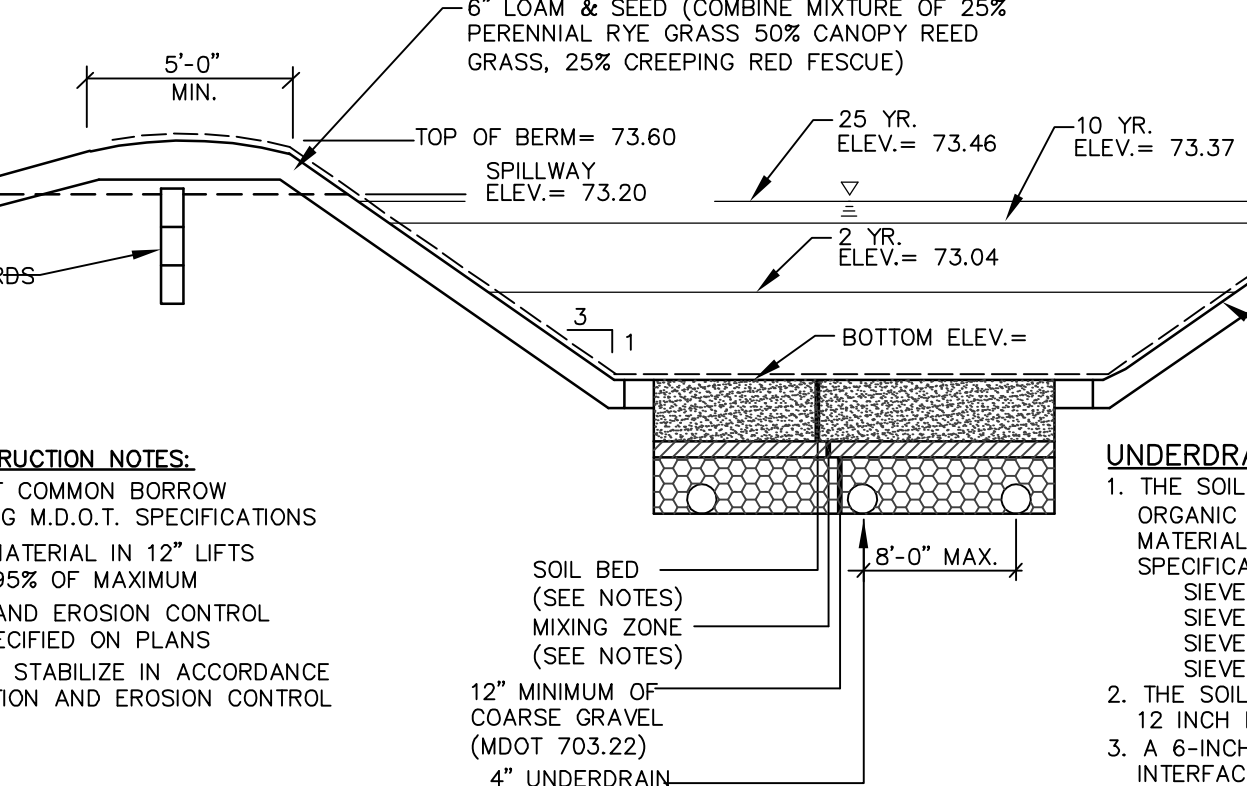
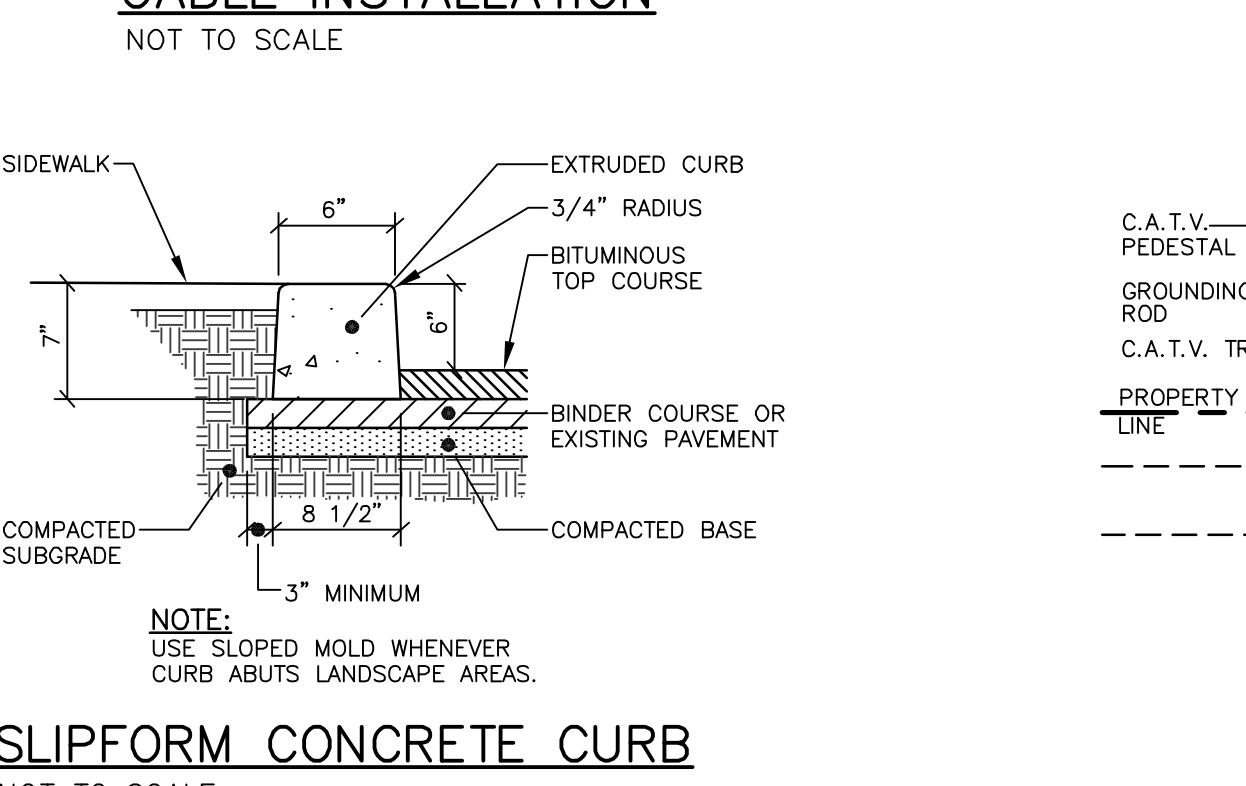
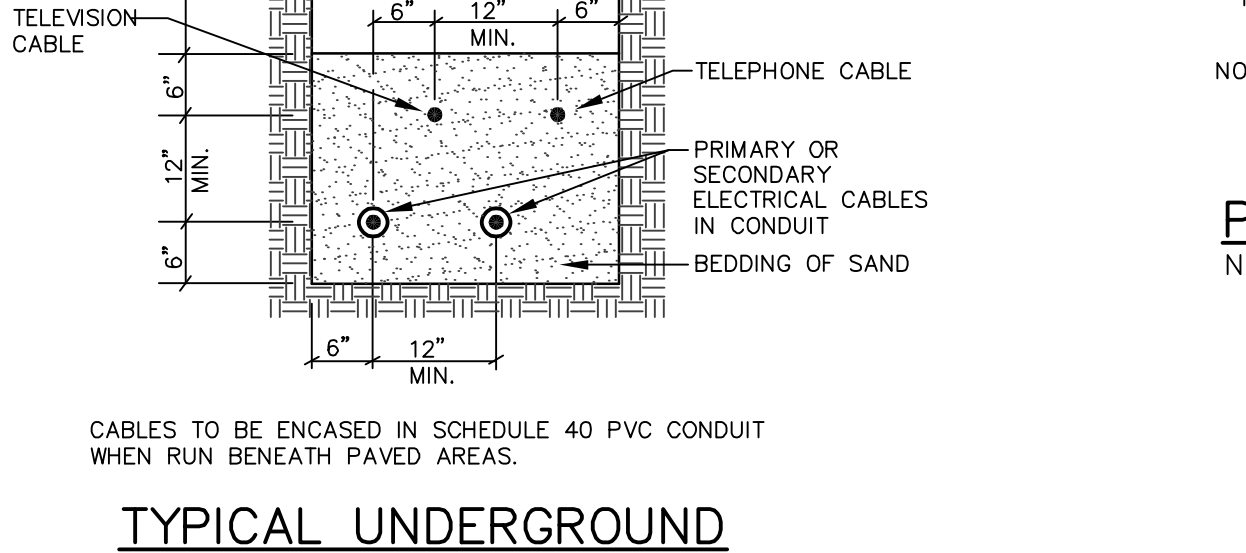
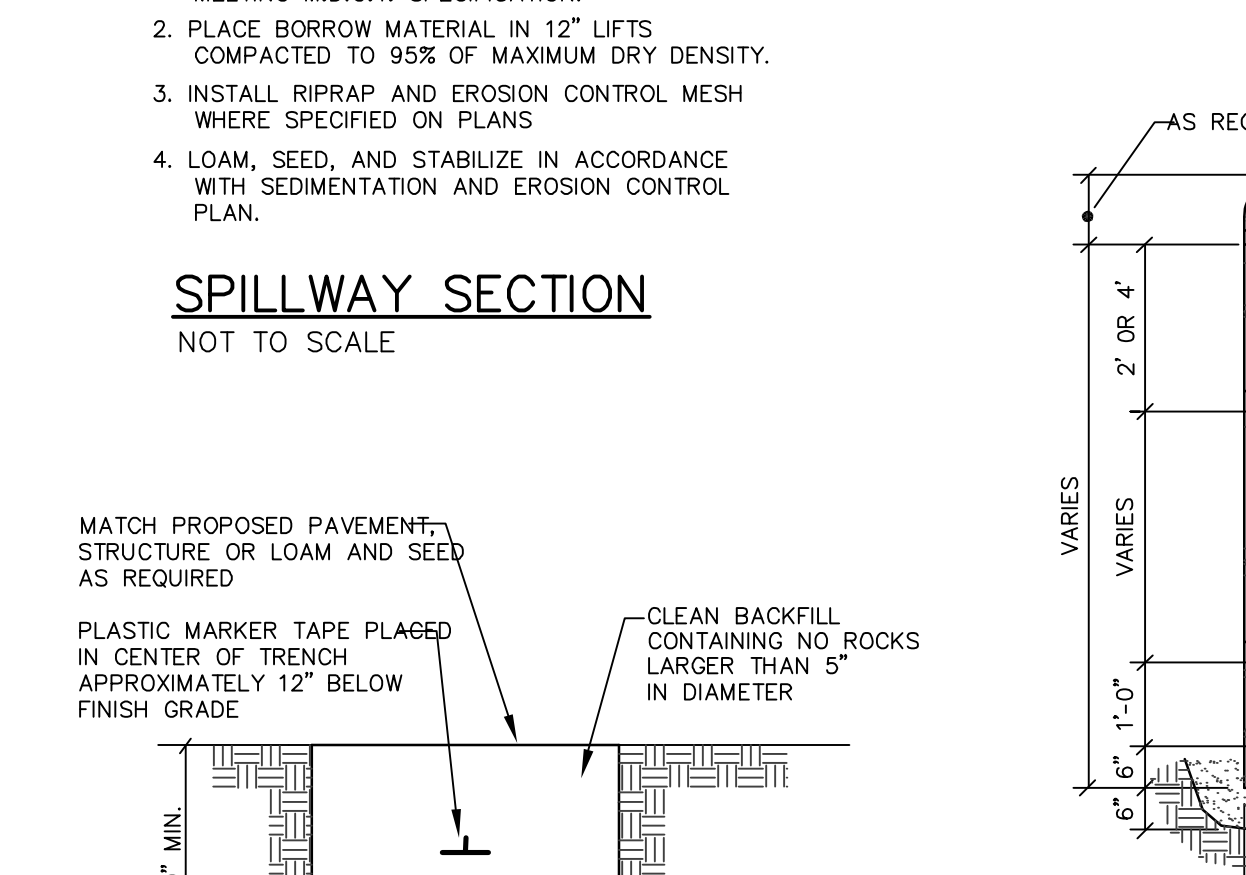
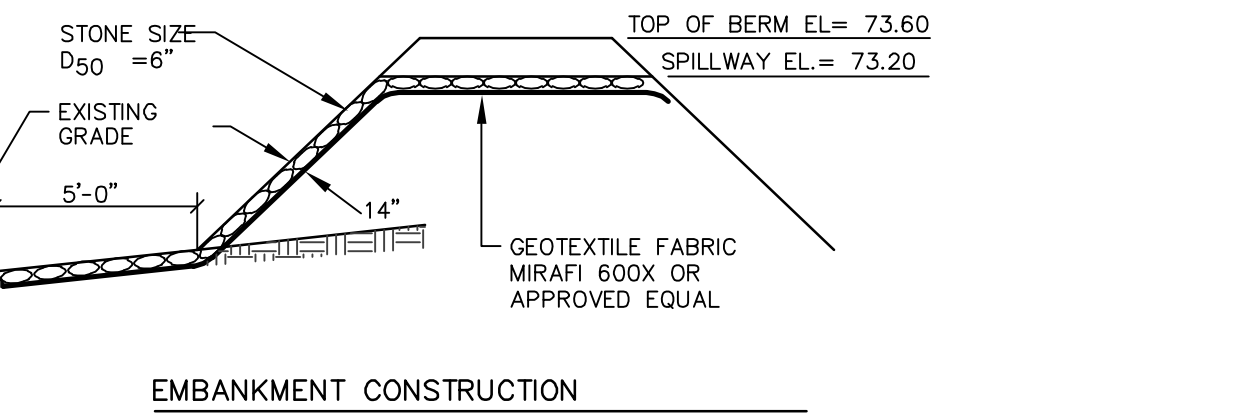
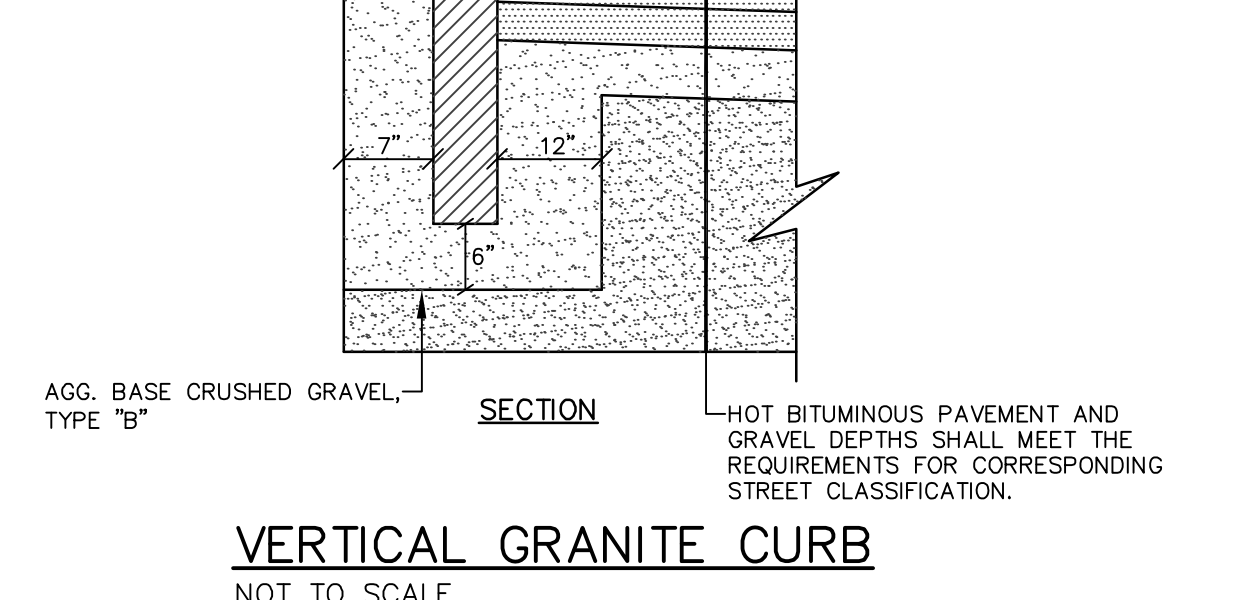
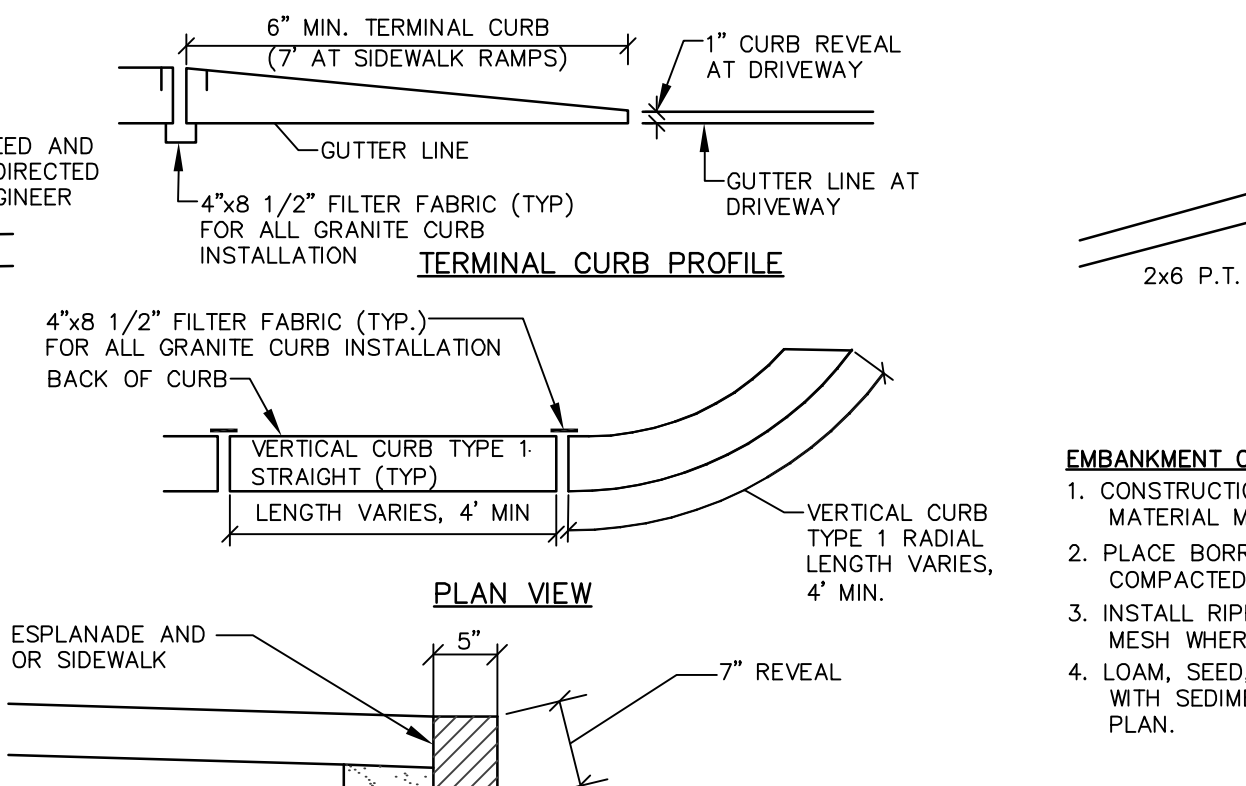
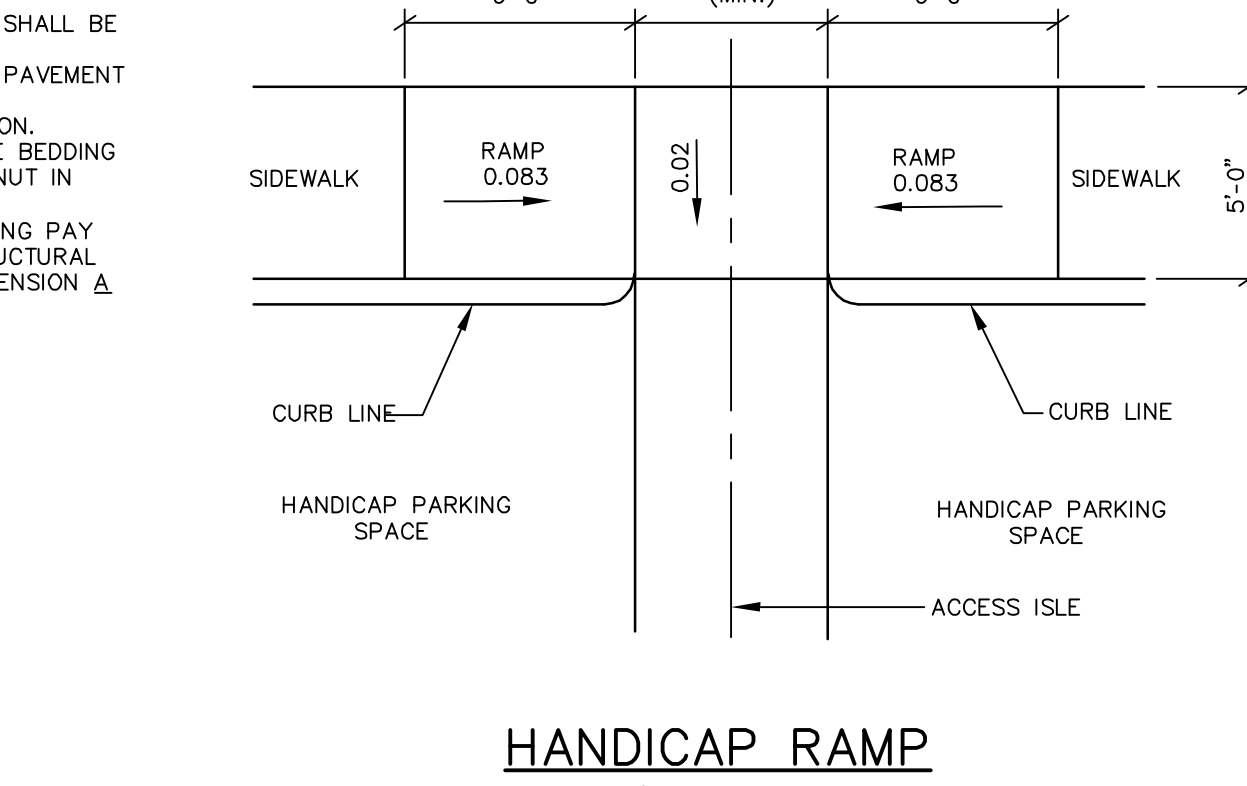
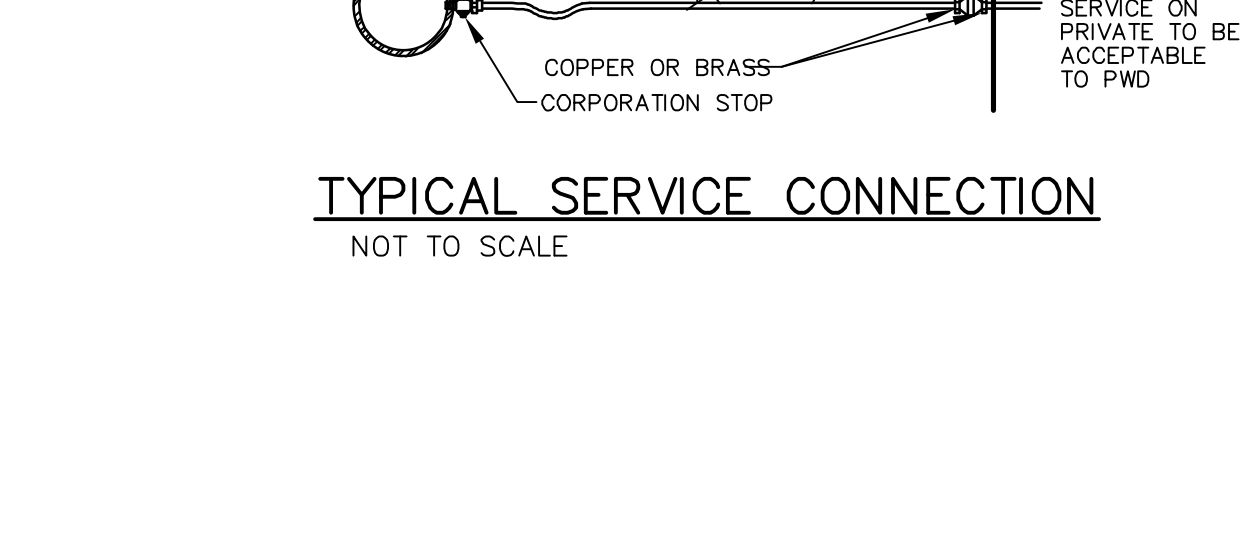
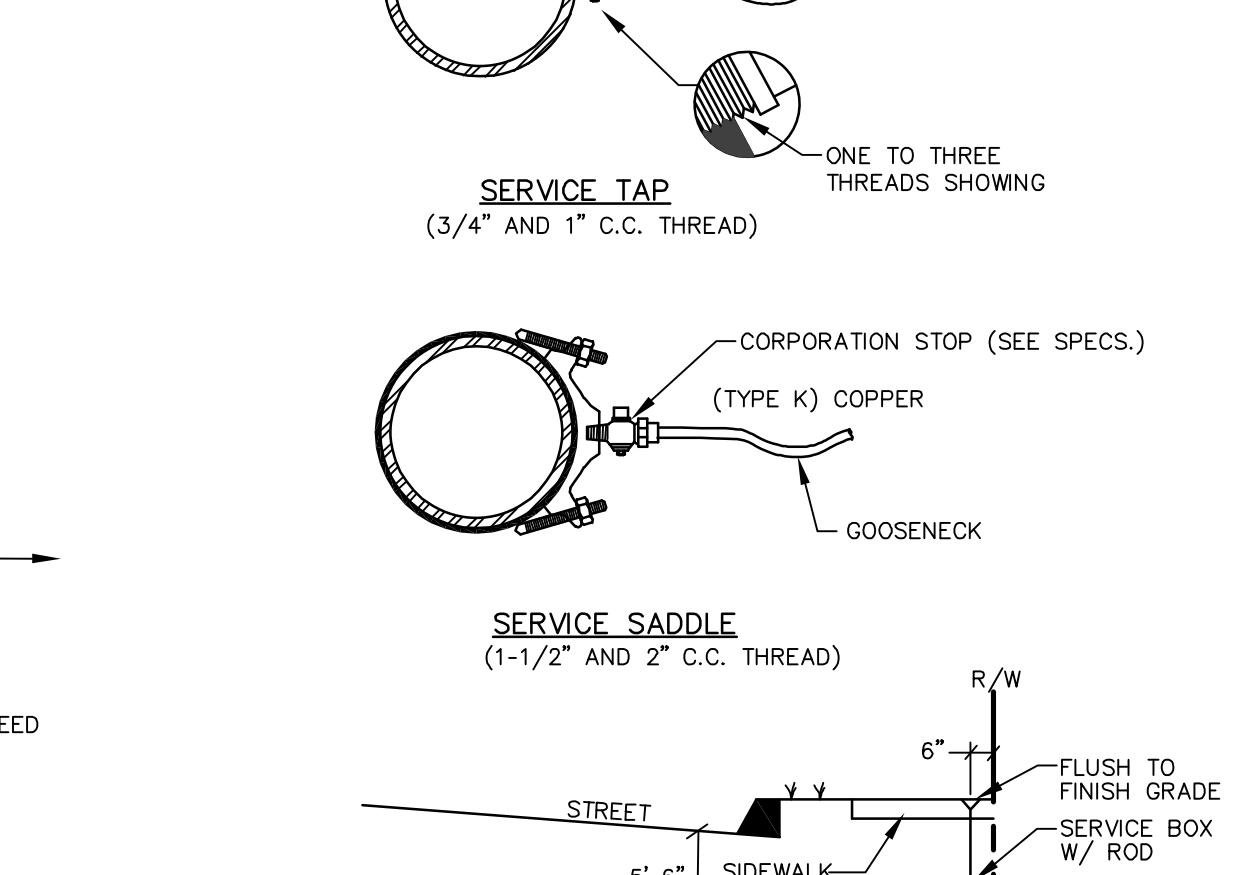
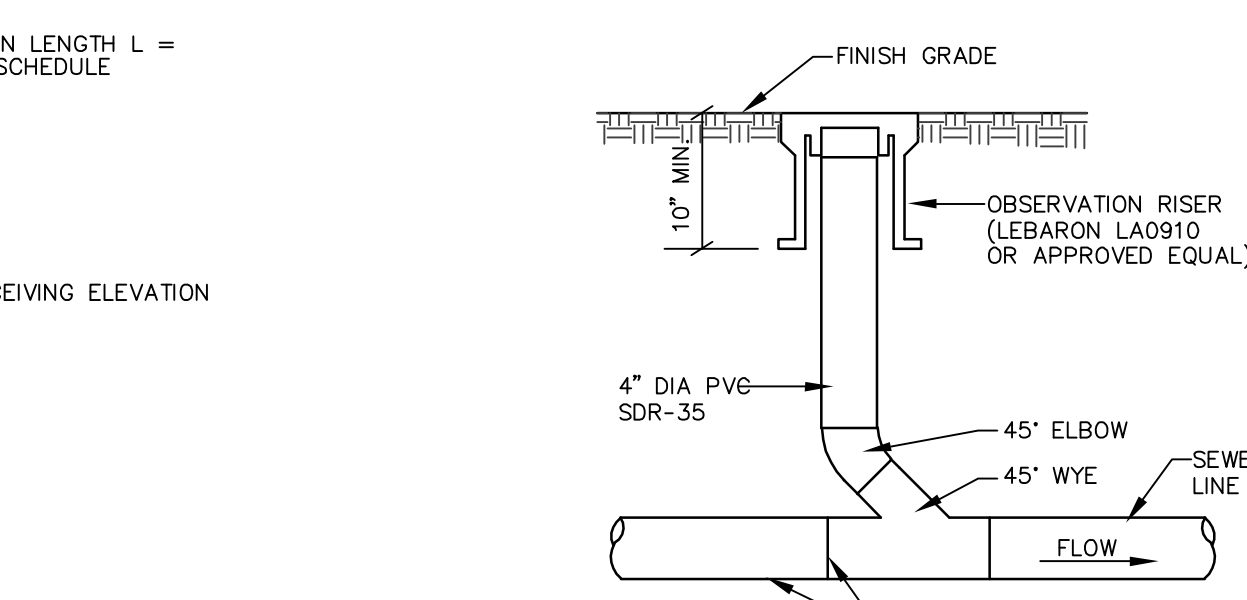
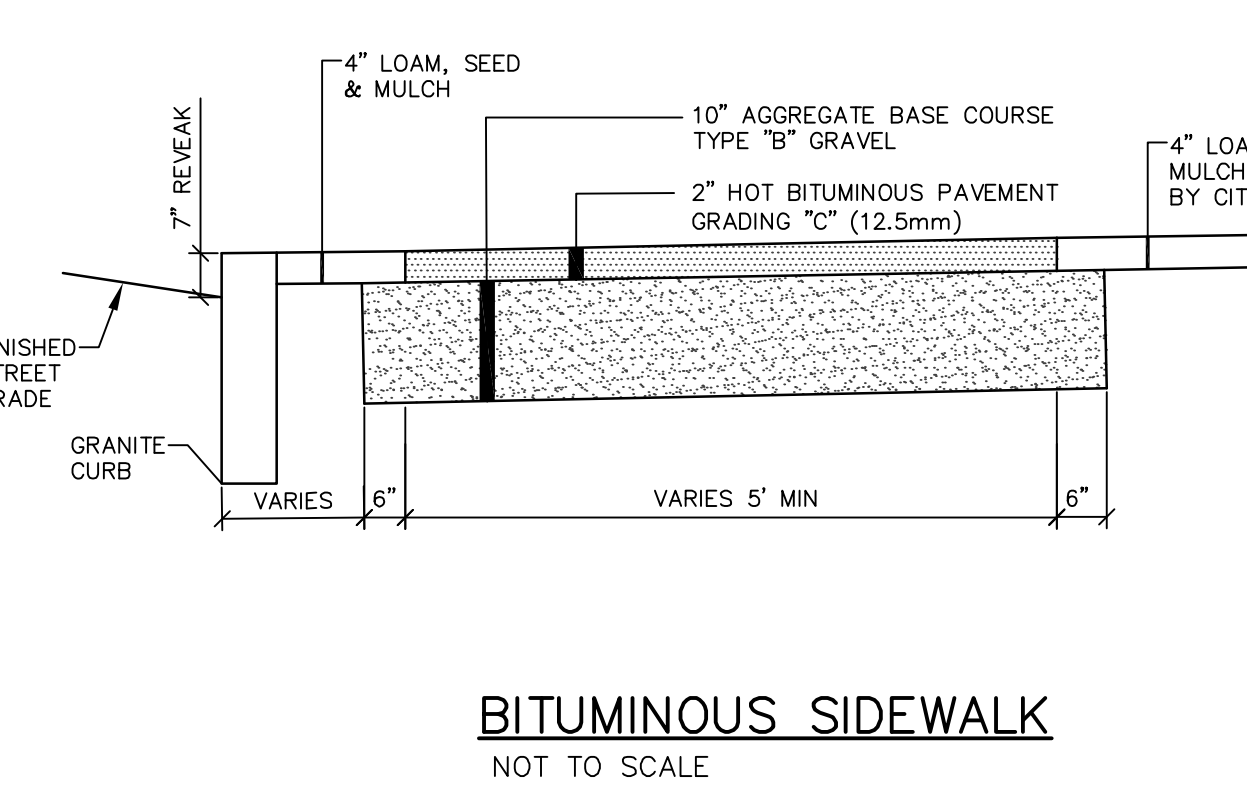
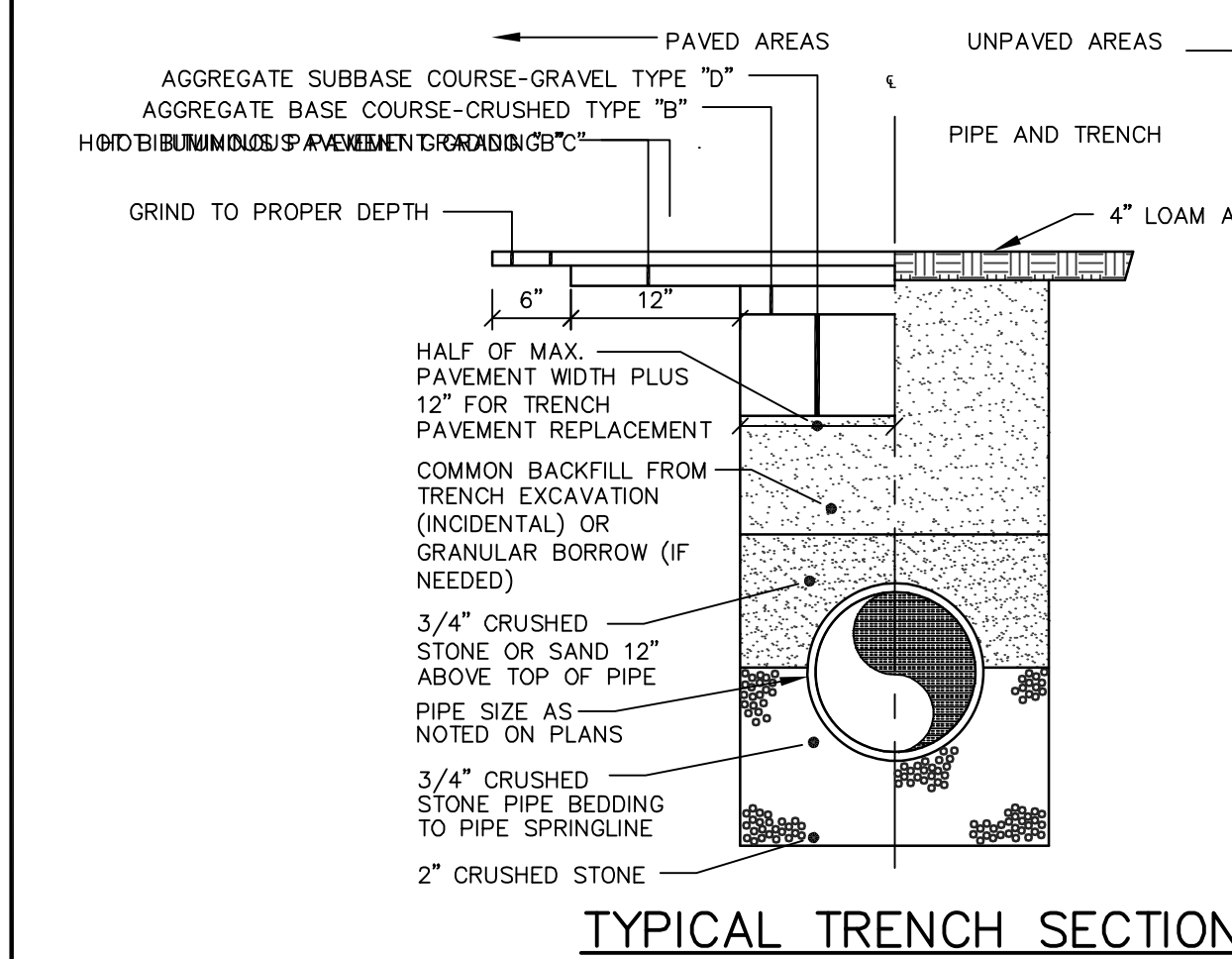
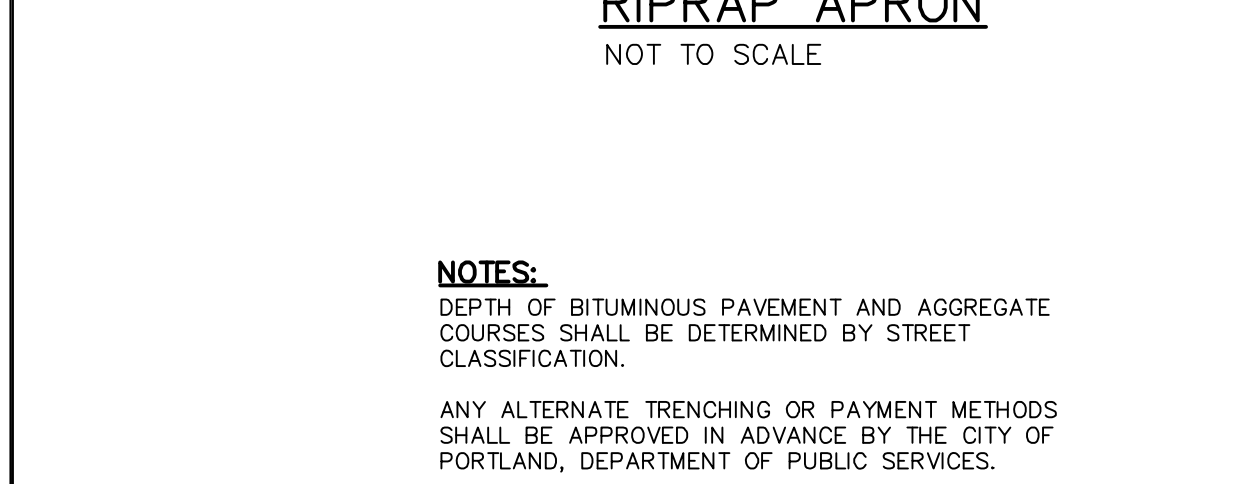


NOTES

- RIPRAP TO BE PROCESSED ANGULAR ROCK
- RIPRAP GRADATION SHALL BE A WELL GRADED MIX FROM ABOUT 1.5 TIMES D SIZE TO 25 PERCENT OF THE D SIZE
- THE RIPRAP STONES SHALL BE CAREFULLY PLACED FROM THE TOE OF THE SLOPE UPWARD
- STONES SHALL BE LOWERED TO THE SLOPE AND NOT BE ALLOWED TO DROP MORE THAN 6" ONTO THE GEOTEXTILE
- THE FINISHED SURFACE SHALL BE A RELATIVELY SMOOTH, UNIFORMLY SLOPED SURFACE

TYPICAL RIPRAP APRON SCHEDULE

CULVERT DIAMETER - D (IN.)	APRON LENGTH - L (FT.)	WIDTH - W1 (FT)	WIDTH - W2 (FT)	RIPRAP D50 (IN.)	RIPRAP THICKNESS (IN.)
12	8	3	9	6	14
15	10	4	12	6	14



SEBAGO TECHNICALS
WWW.SEBAGO.COM
250 Goddard Rd. Suite B South Portland, ME 04106
Tel. 207-783-5656
FAX 207-783-5656
RICHARD WEEK PE 10668
DESIGNED BY RLM
CHECKED BY RLM
REVISED PER CONDITIONS OF APPROVAL
SUBMIT FINAL SITE PLAN APPLICATION TO CITY
SUBMIT PRELIMINARY SITE PLAN APPLICATION TO CITY
STATUTE: 10-A
DATE: 10/15/15
THIS PLAN SHALL NOT BE MODIFIED WITHOUT WRITTEN PERMISSION FROM SEBAGO TECHNICALS, INC. ANY ALTERATIONS AUTHORIZED OR OTHERWISE, SHALL BE AT THE USER'S SOLE RISK AND WITHOUT LIABILITY TO SEBAGO TECHNICALS, INC.

DETAILS OF:
LOT 5 INDUSTRIAL WAY
81 INDUSTRIAL WAY
PORTLAND, ME 04103
FOR:
DEERFIELD 91 INDUSTRIAL, LLC.
1 CANAL PLAZA
PORTLAND, ME 04101

PROJECT NO. 04479
SCALE NTS
SHEET 7 OF 7
044790.dwg 148.02