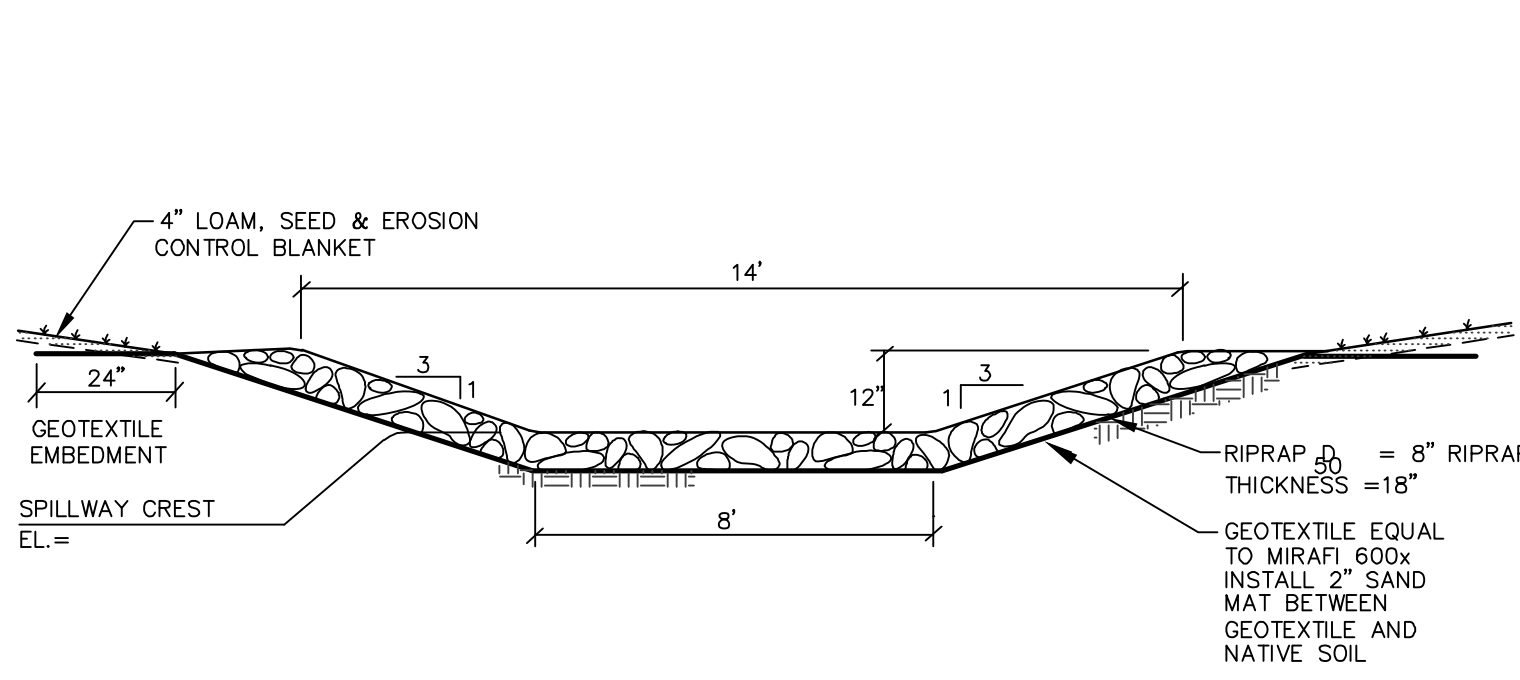
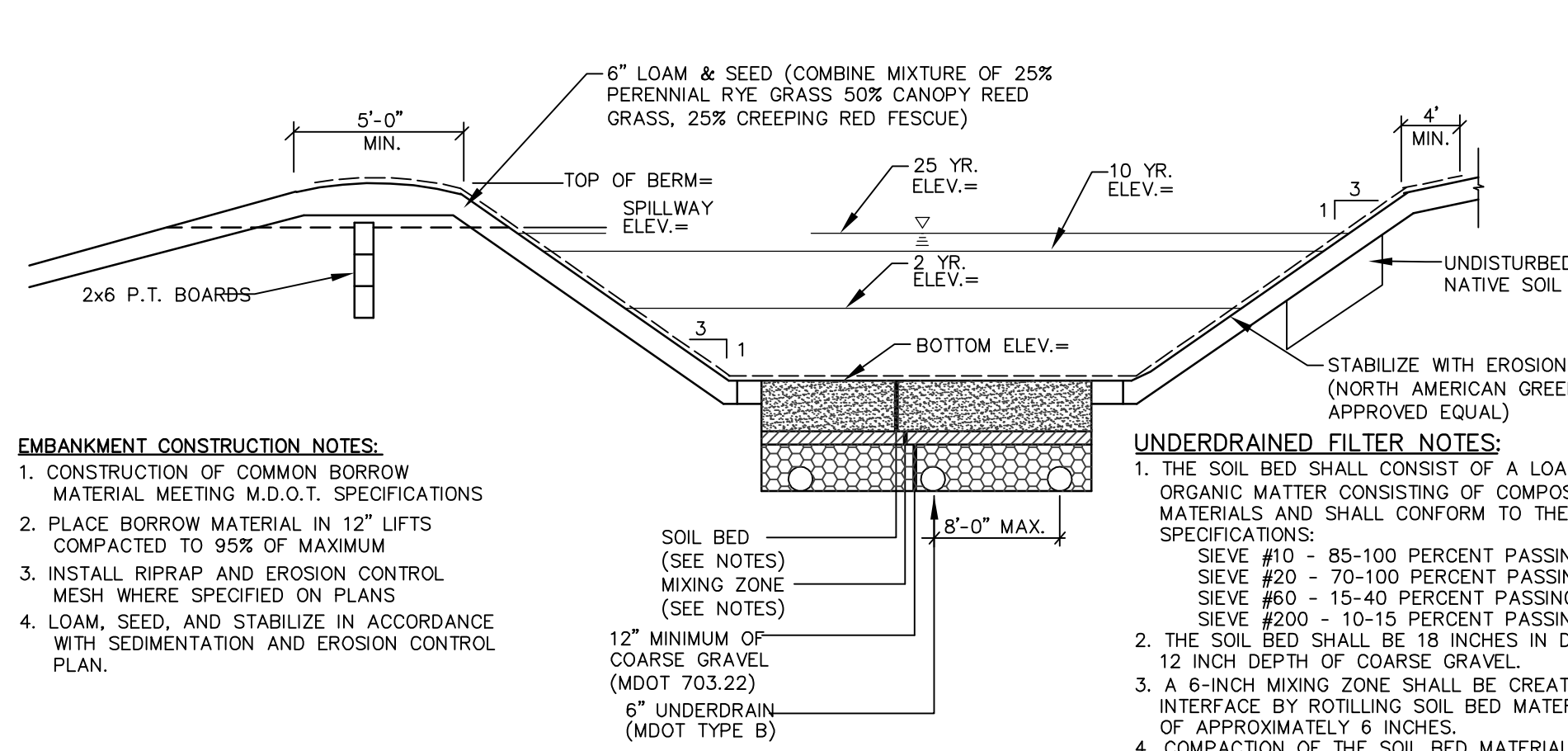


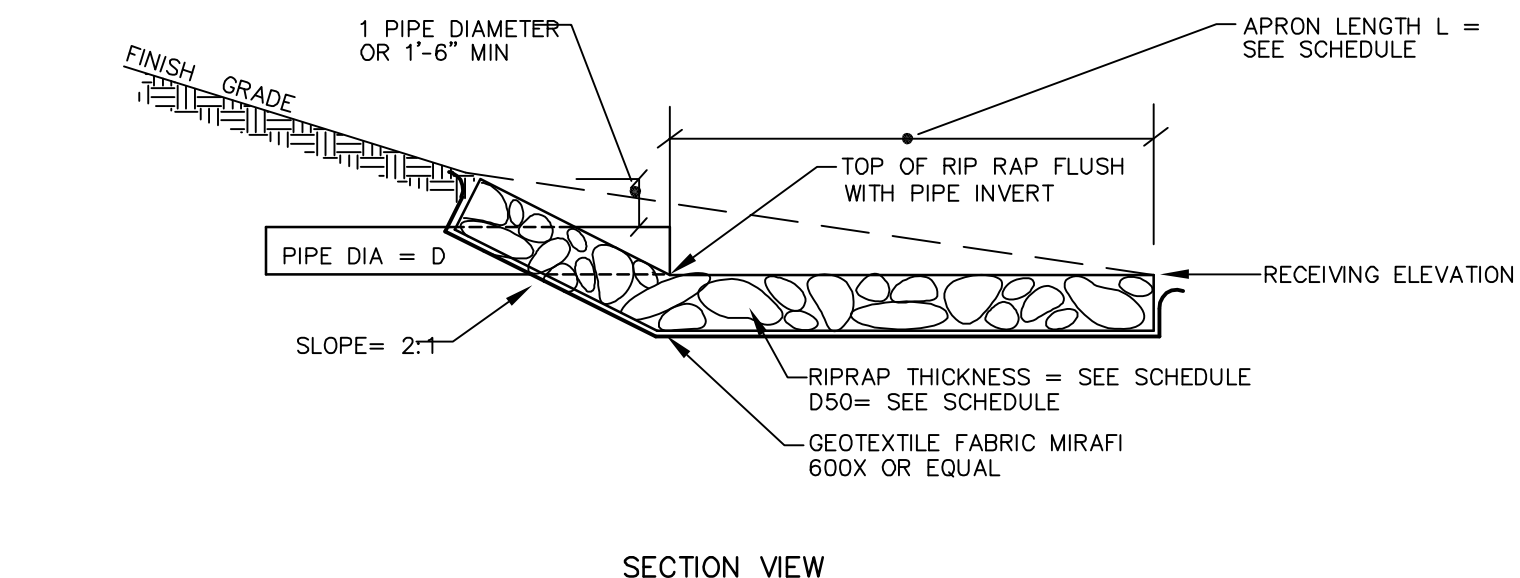
PLAN VIEW



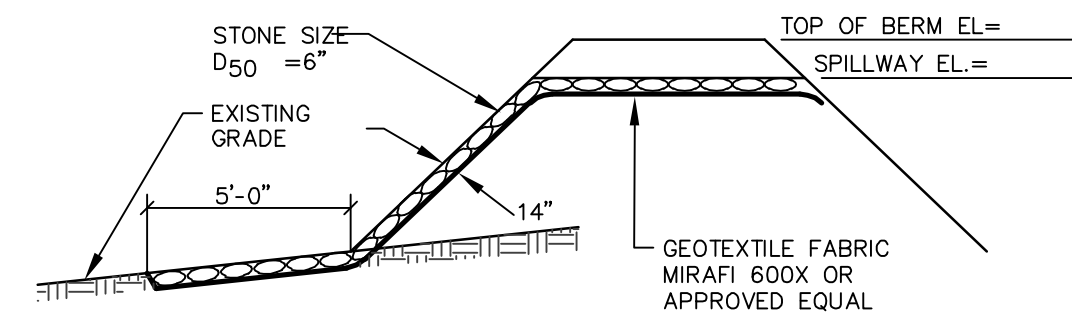
EMERGENCY SPILLWAY CROSS-SECTION
NOT TO SCALE



DETENTION BASIN WITH UNDERDRAINED GRASS FILTER
NOT TO SCALE



SECTION VIEW



SPILLWAY SECTION
NOT TO SCALE

NOTES

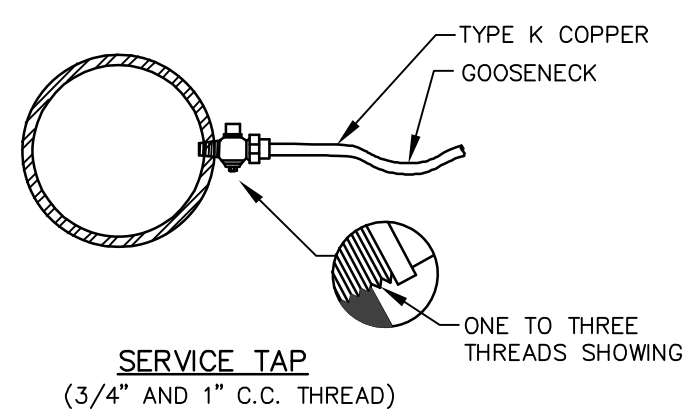
1. RIPRAP TO BE PROCESSED ANGULAR ROCK
2. RIPRAP GRADATION SHALL BE A WELL GRADED MIX FROM ABOUT 1.5 TIMES D SIZE TO 25 PERCENT OF THE D SIZE
3. THE RIPRAP STONES SHALL BE CAREFULLY PLACED FROM THE TOE OF THE SLOPE UPWARD
4. STONES SHALL BE LOWERED TO THE SLOPE AND NOT BE ALLOWED TO DROP MORE THAN 12" ONTO THE GEOTEXTILE
5. THE FINISHED SURFACE SHALL BE A RELATIVELY SMOOTH, UNIFORMLY SLOPED SURFACE

CULVERT DIAMETER - D (IN.)	APRON LENGTH - L (FT.)	WIDTH - W1 (FT.)	WIDTH - W2 (FT.)	RIPRAP D50 (IN.)	RIPRAP THICKNESS (IN.)
12	8	3	9	6	14
15	10	4	12	6	14

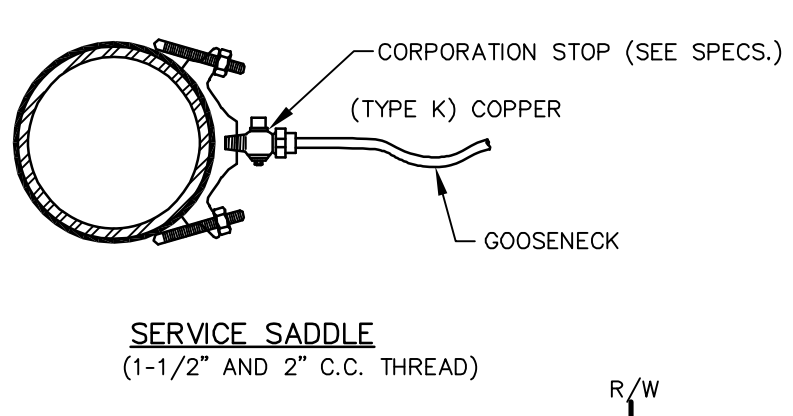
- EMBANKMENT CONSTRUCTION**
1. CONSTRUCTION OF COMMON BORROW MATERIAL MEETING M.D.O.T. SPECIFICATION.
 2. PLACE BORROW MATERIAL IN 12" LIFTS COMPACTED TO 95% OF MAXIMUM DRY DENSITY.
 3. INSTALL RIPRAP AND EROSION CONTROL MESH WHERE SPECIFIED ON PLANS
 4. LOAM, SEED, AND STABILIZE IN ACCORDANCE WITH SEDIMENTATION AND EROSION CONTROL PLAN.

RIPRAP APRON

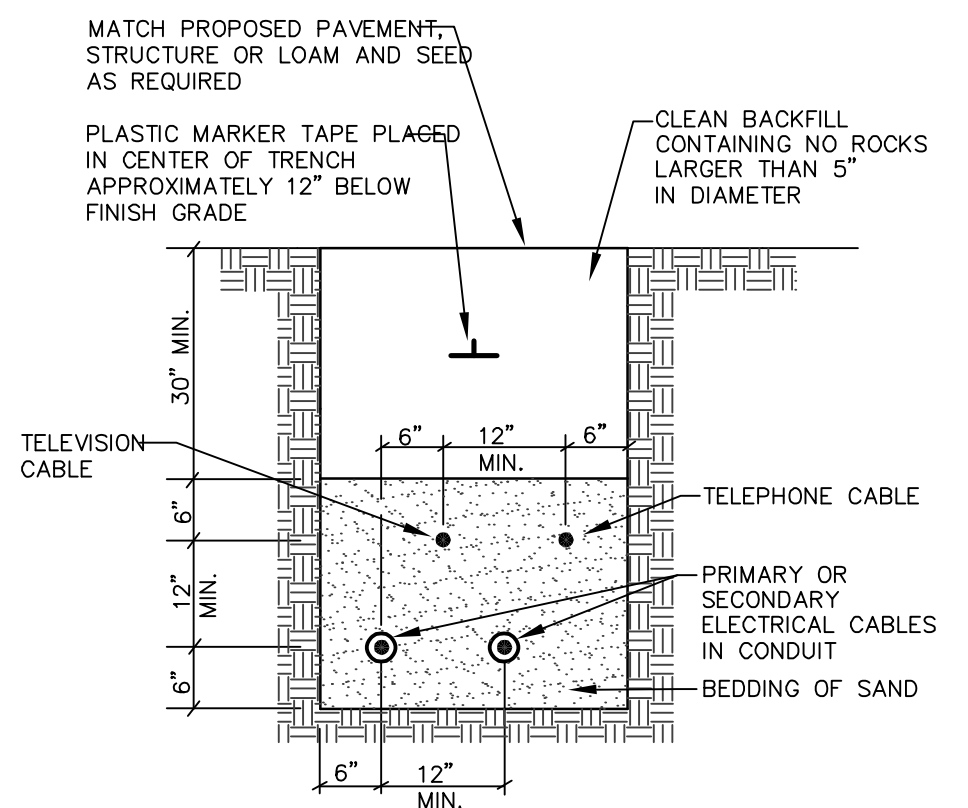
NOT TO SCALE



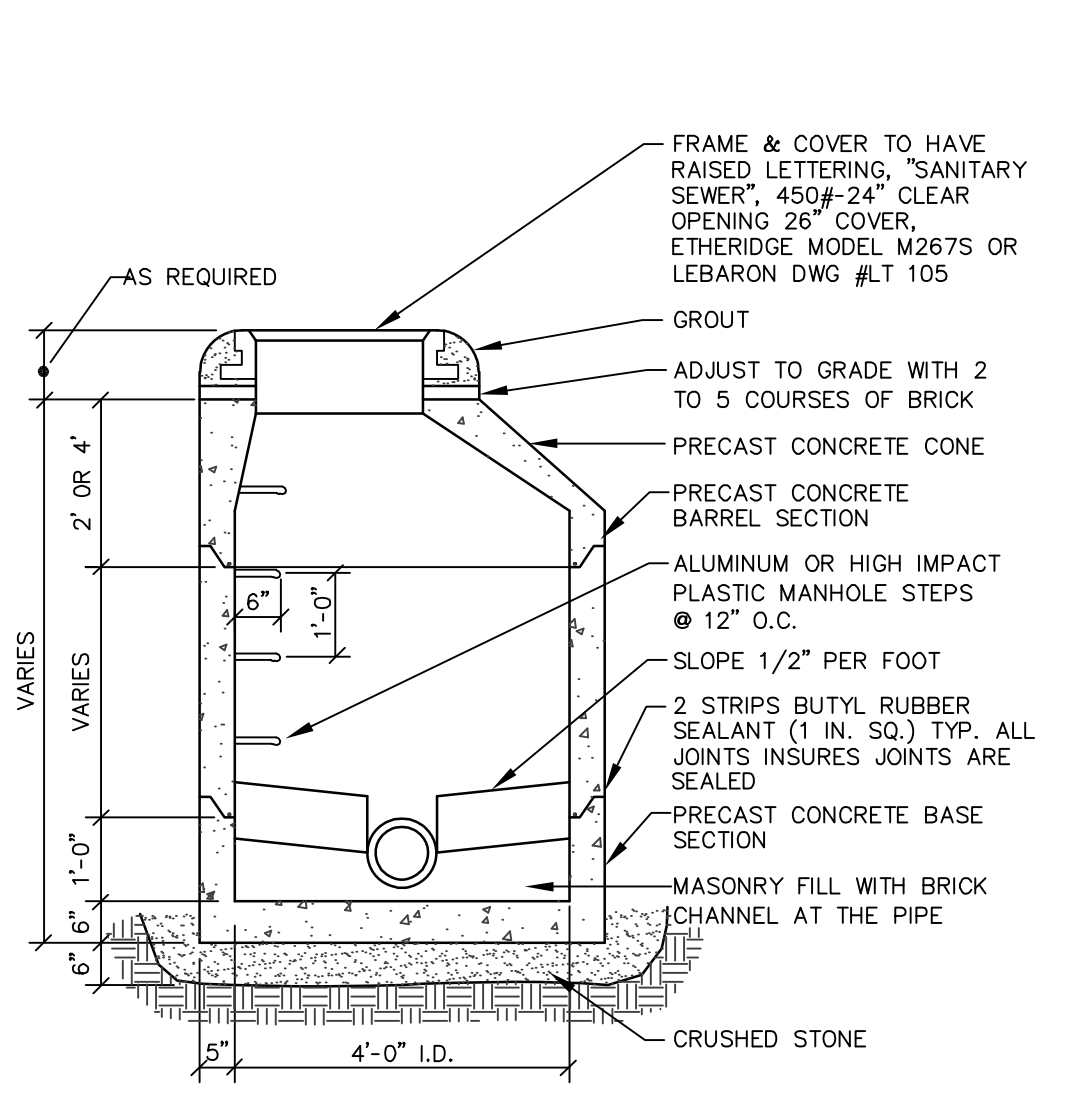
SERVICE TAP
(3/4" AND 1" C.C. THREAD)



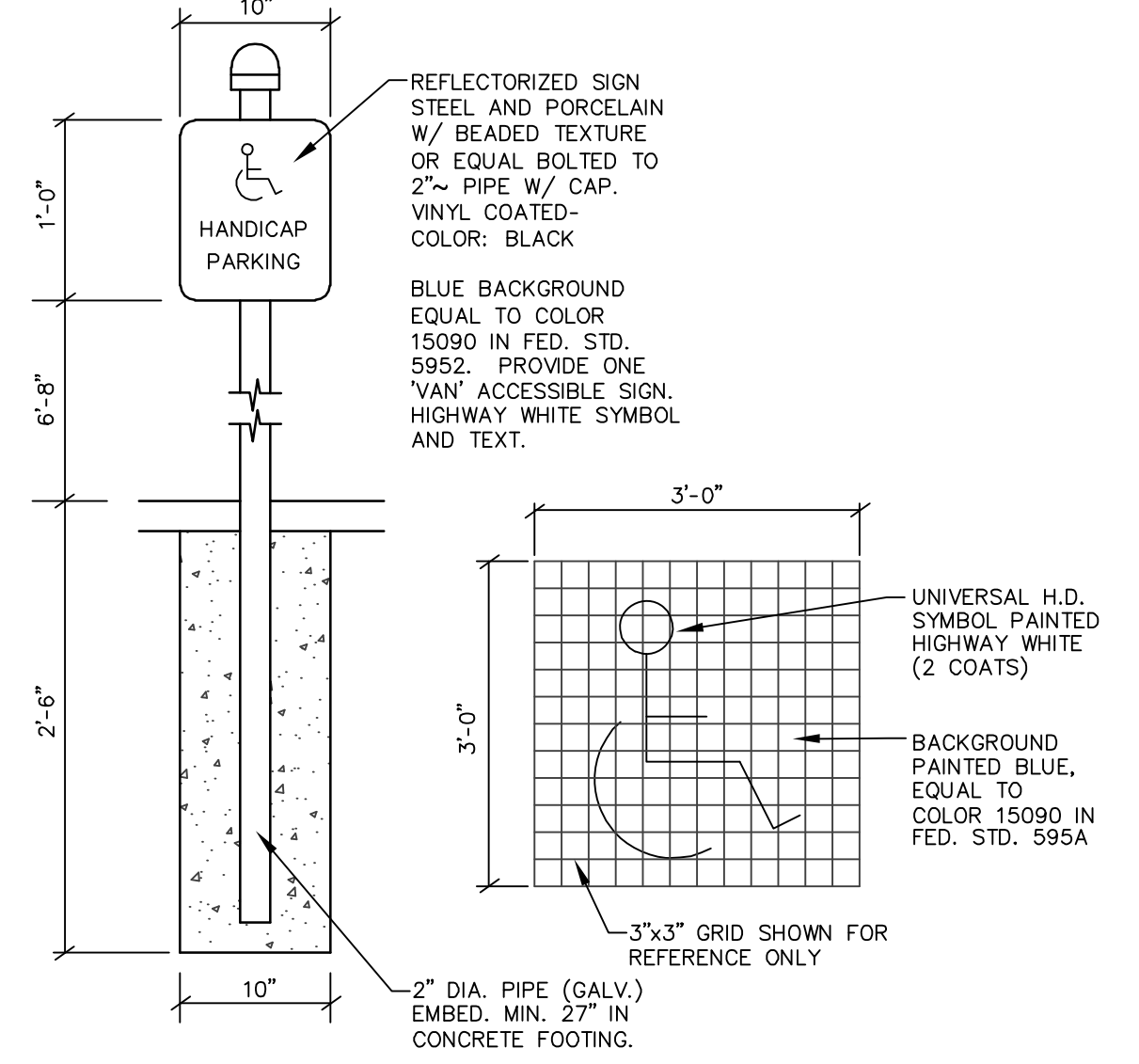
SERVICE SADDLE
(1-1/2" AND 2" C.C. THREAD)



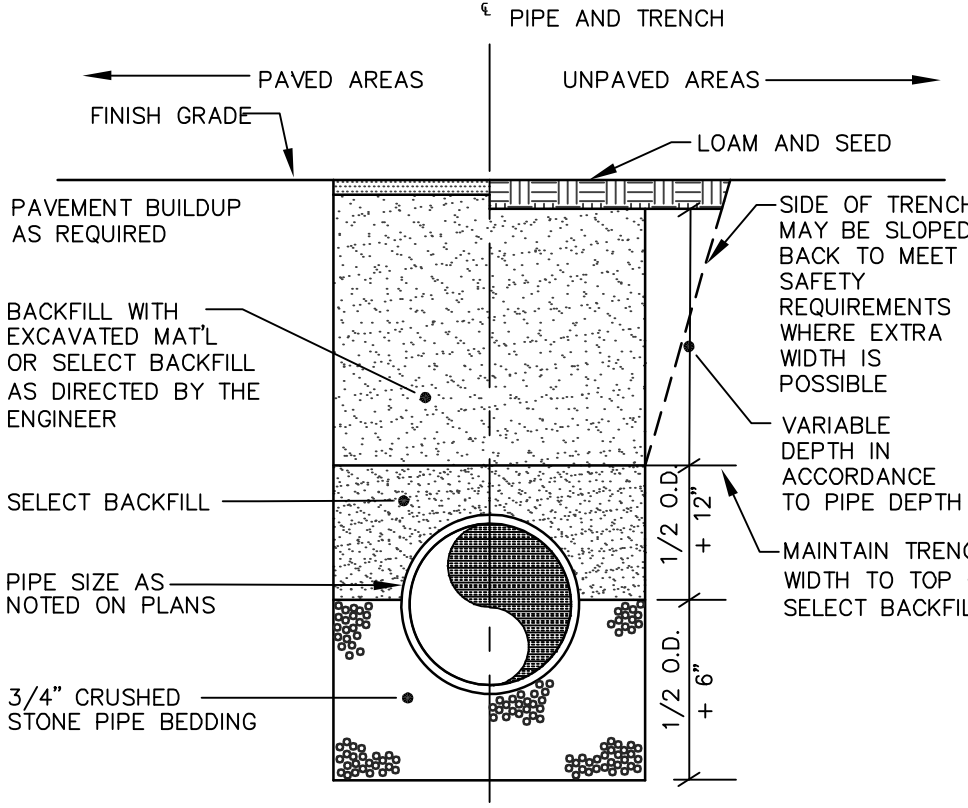
TYPICAL UNDERGROUND CABLE INSTALLATION
NOT TO SCALE



PRECAST MANHOLE
NOT TO SCALE

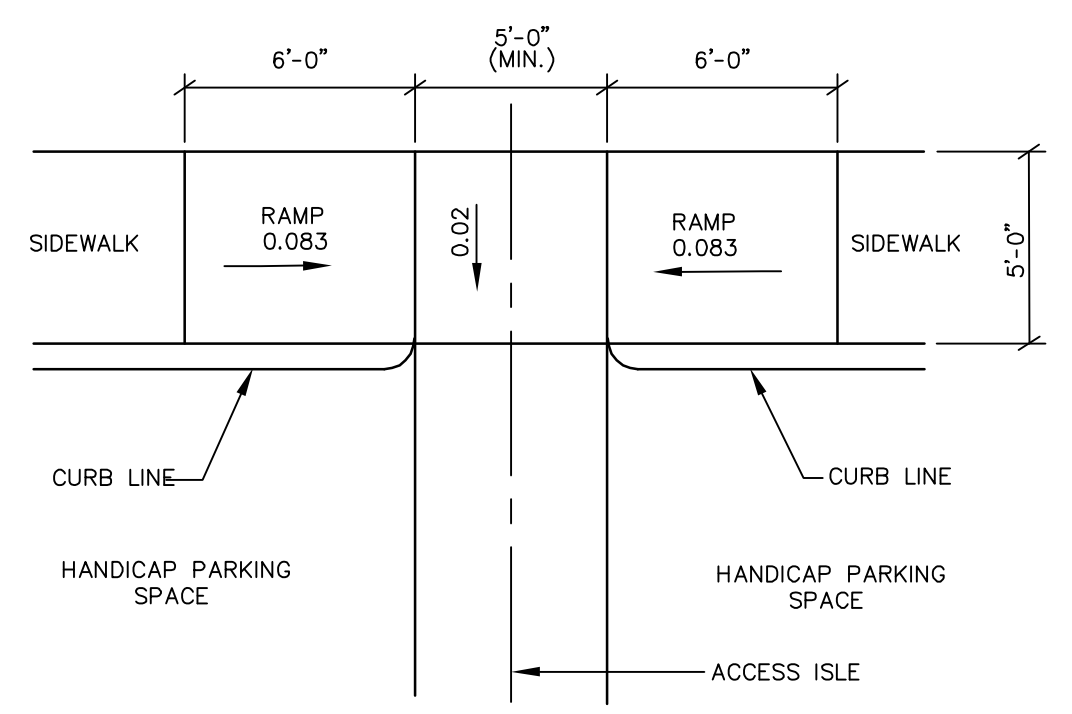


HANDICAP SIGNS
NOT TO SCALE

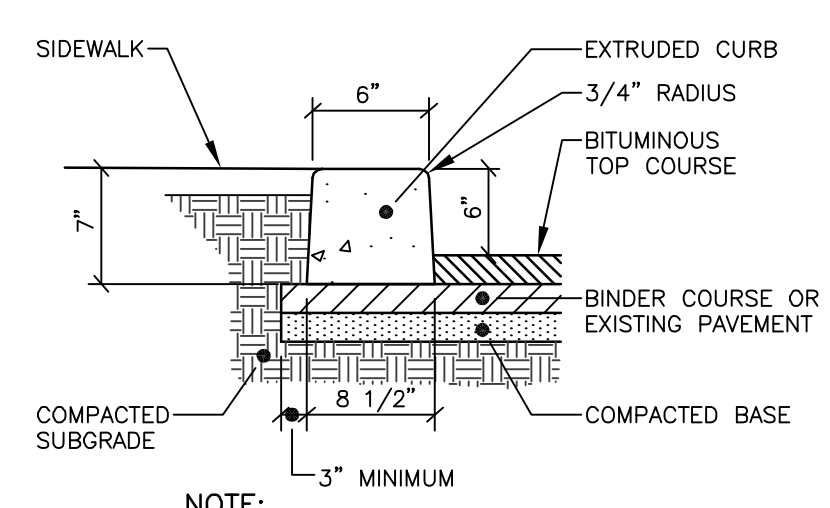


TYPICAL TRENCH SECTION
NOT TO SCALE

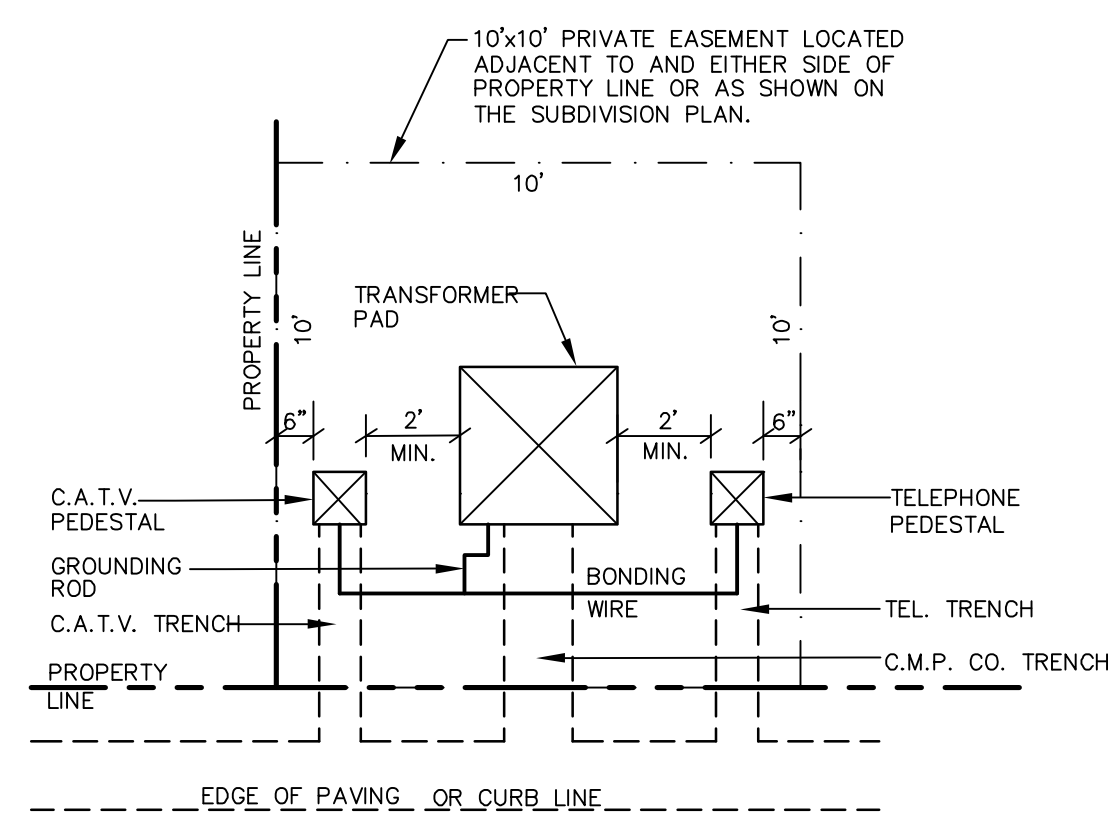
TYPICAL SERVICE CONNECTION
NOT TO SCALE



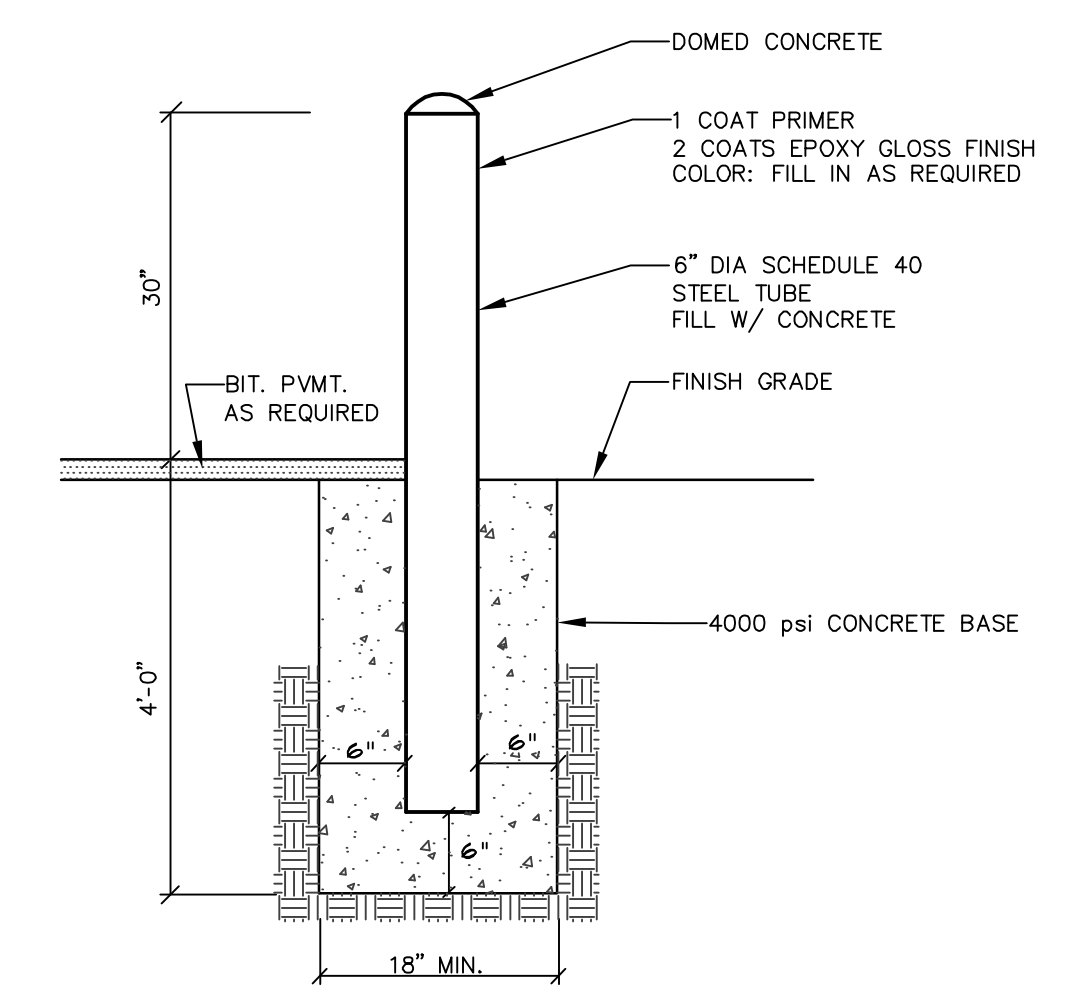
HANDICAP RAMP
NOT TO SCALE



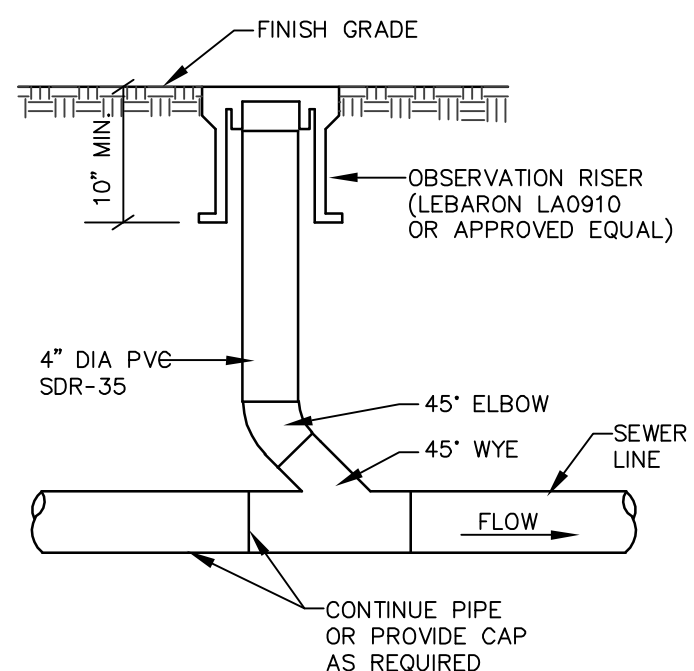
SLIPFORM CONCRETE CURB
NOT TO SCALE



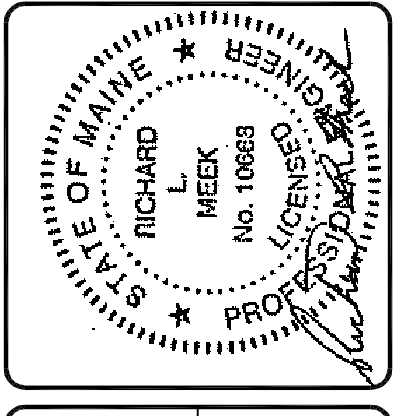
TRANSFORMER DETAIL
NOT TO SCALE



METAL BOLLARD
NOT TO SCALE



SEWER CLEANOUT
NOT TO SCALE



DESIGNED	CHECKED
DES BY	RLM
REV. BY	DATE
A. RLM	5-21-15

WWW.SEBAGO TECHNICS.COM
250 Goddard Rd., Suite B, Lewiston, ME 04240
Tel. 207-200-9100 Fax. 207-783-5656

SEBAGO TECHNICS

WWW.SEBAGO TECHNICS.COM
250 Goddard Rd., Suite B, Lewiston, ME 04240
Tel. 207-200-9100 Fax. 207-783-5656

DETAILS OF: **LOT 5 INDUSTRIAL WAY**
91 INDUSTRIAL WAY
PORTLAND, ME 04103

FOR: **DEERFIELD 91 INDUSTRIAL, LLC.**
1 CANAL PLAZA
PORTLAND, ME 04101

PROJECT NO.	SCALE
04479	NTS
SHEET 7 OF 7	

044790.dwg, 14B.02