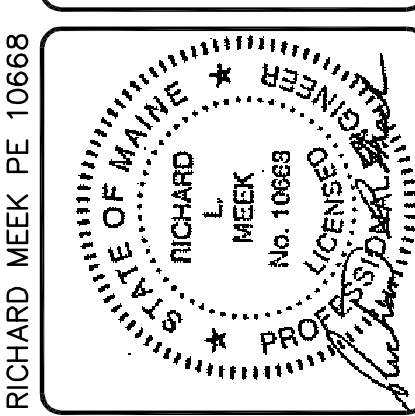
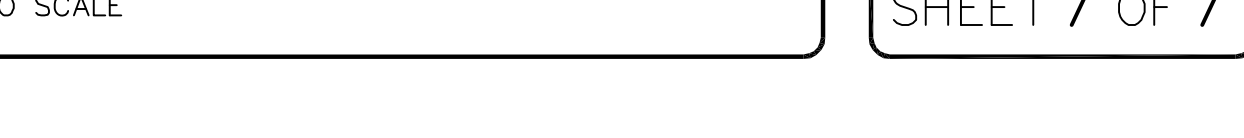
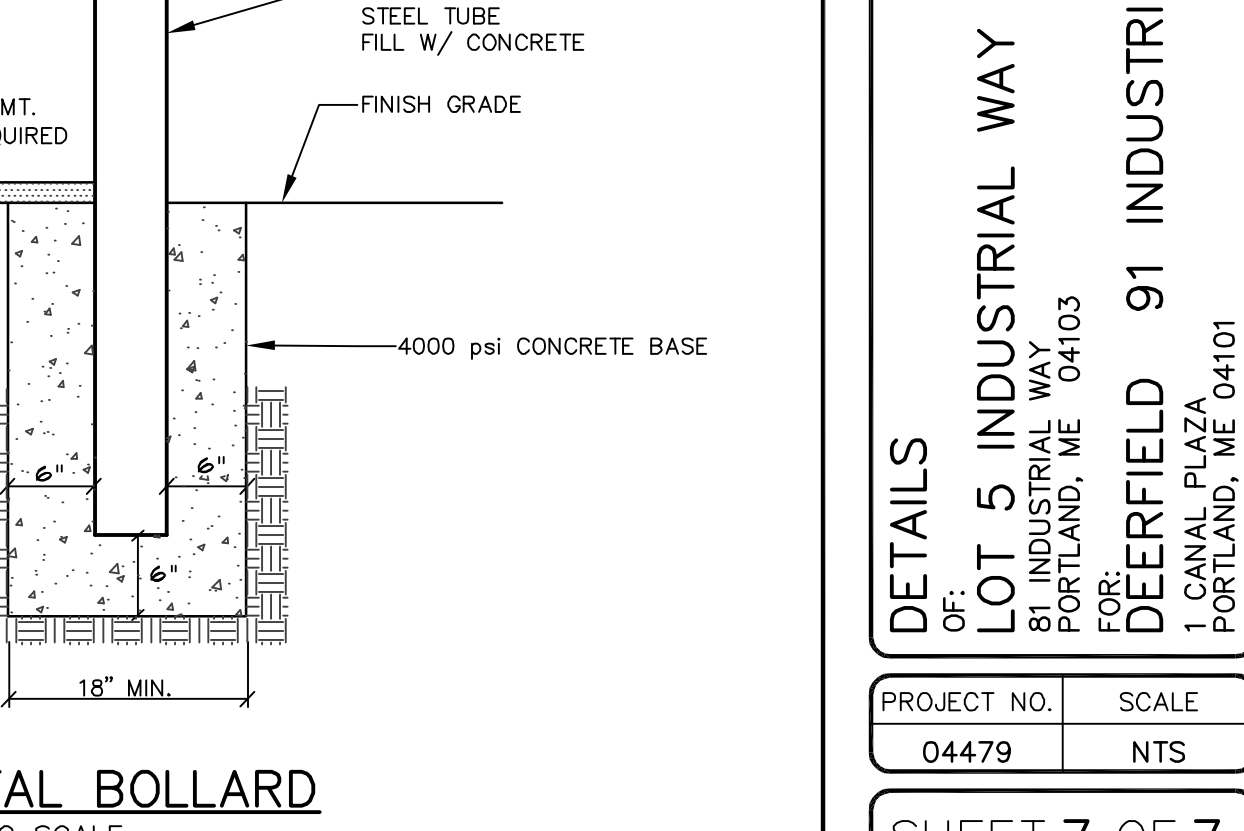
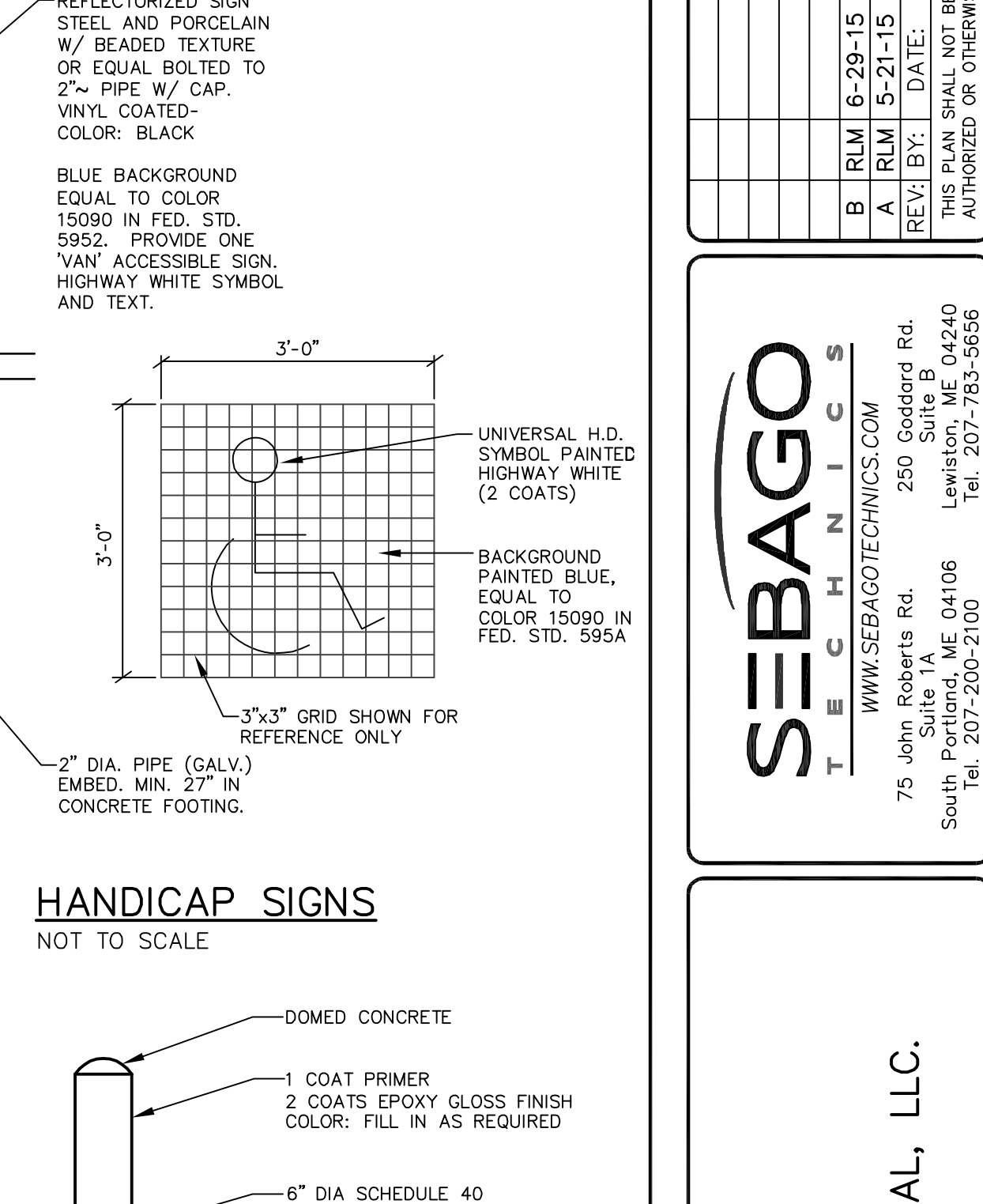
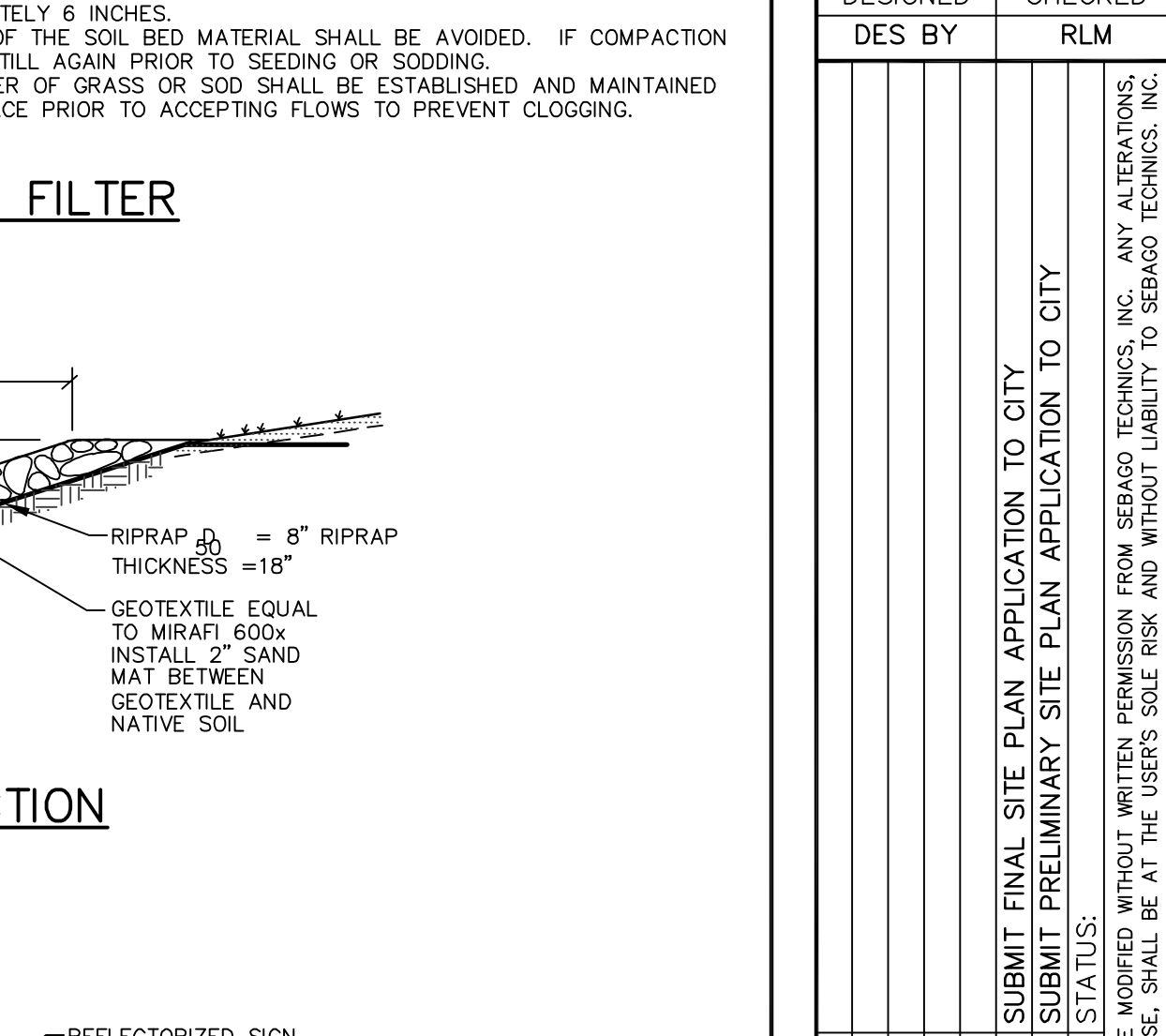
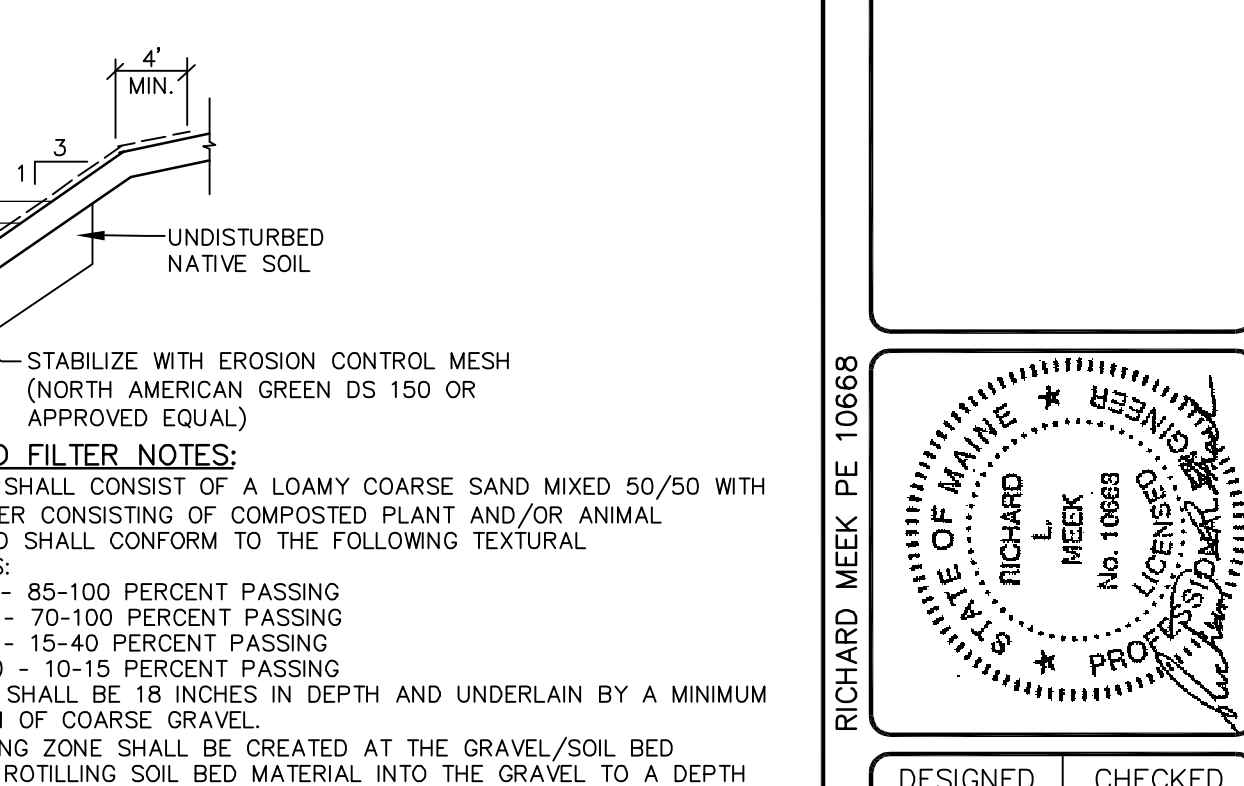
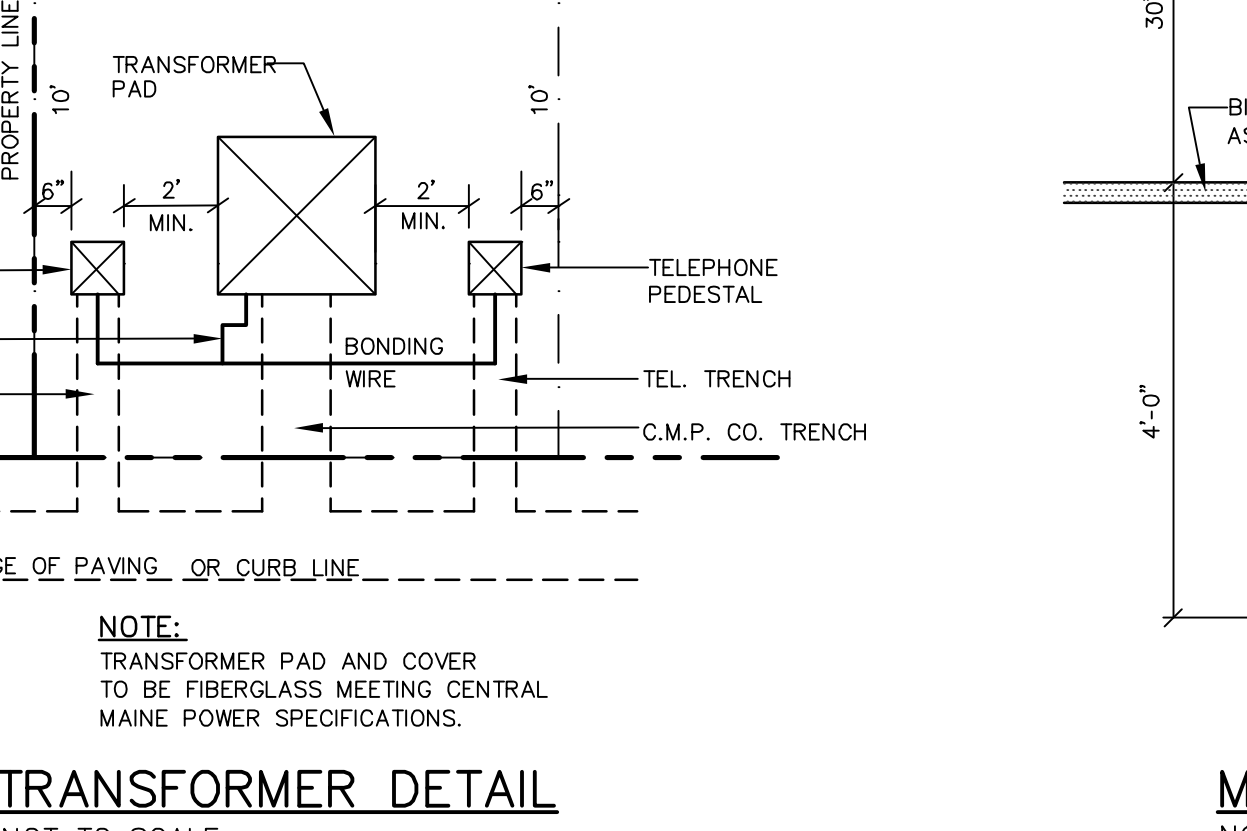
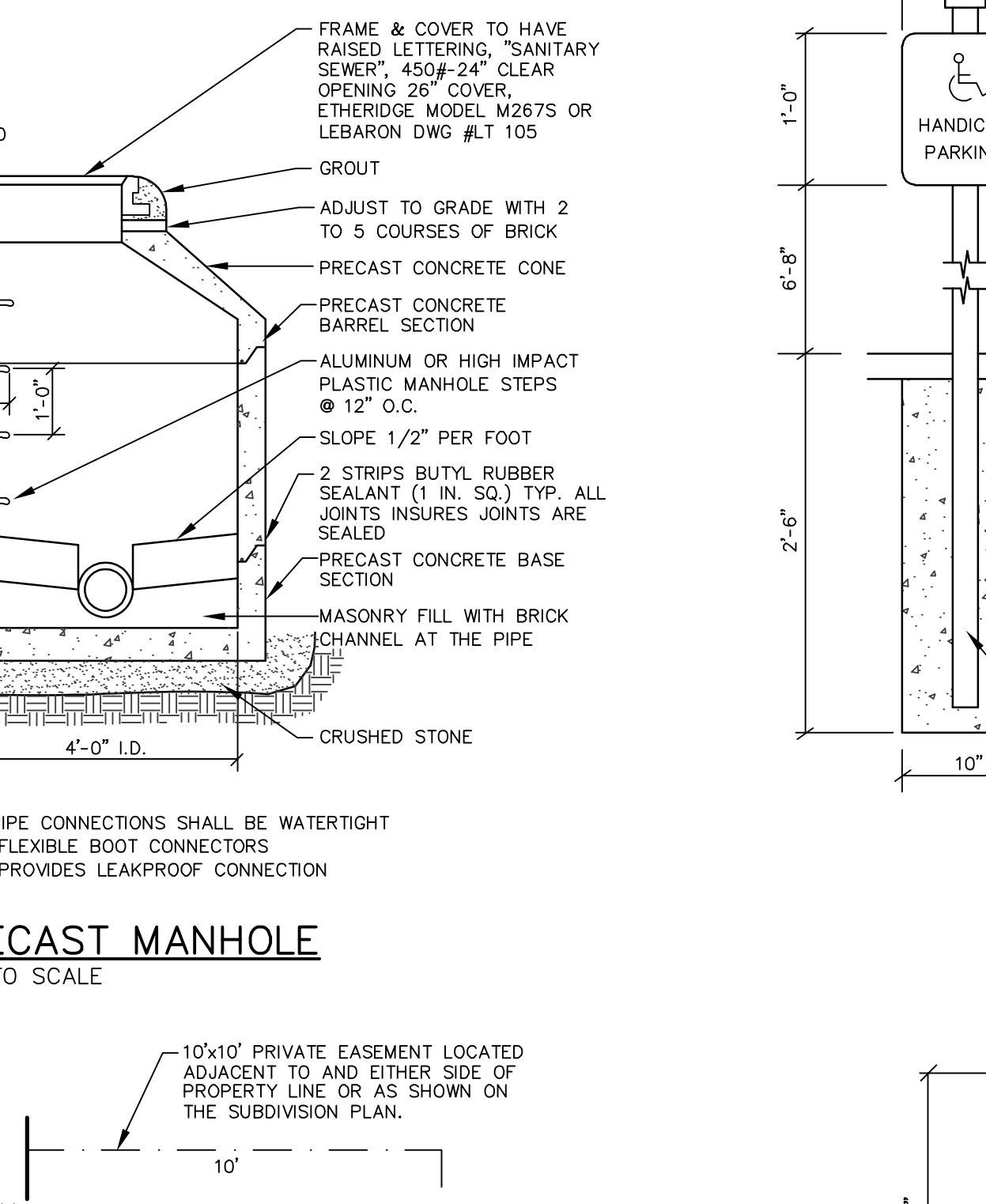
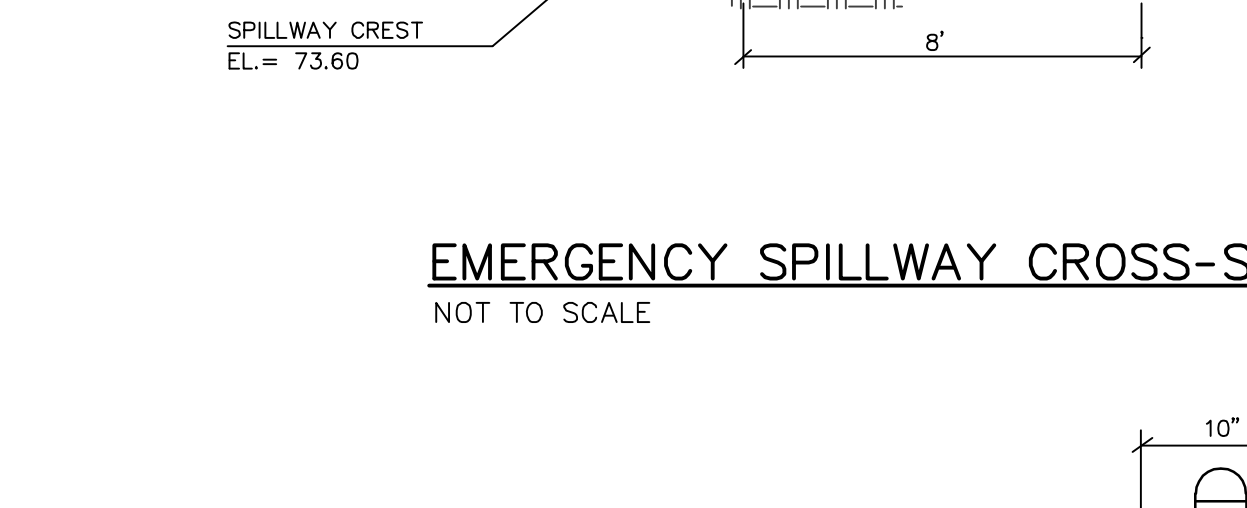
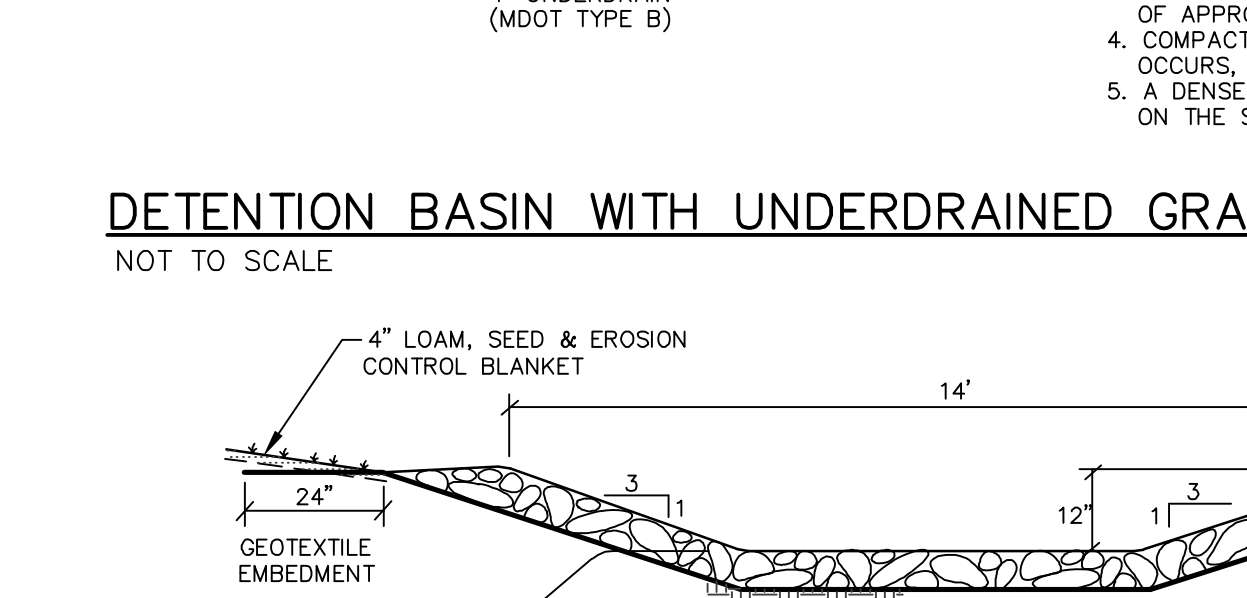
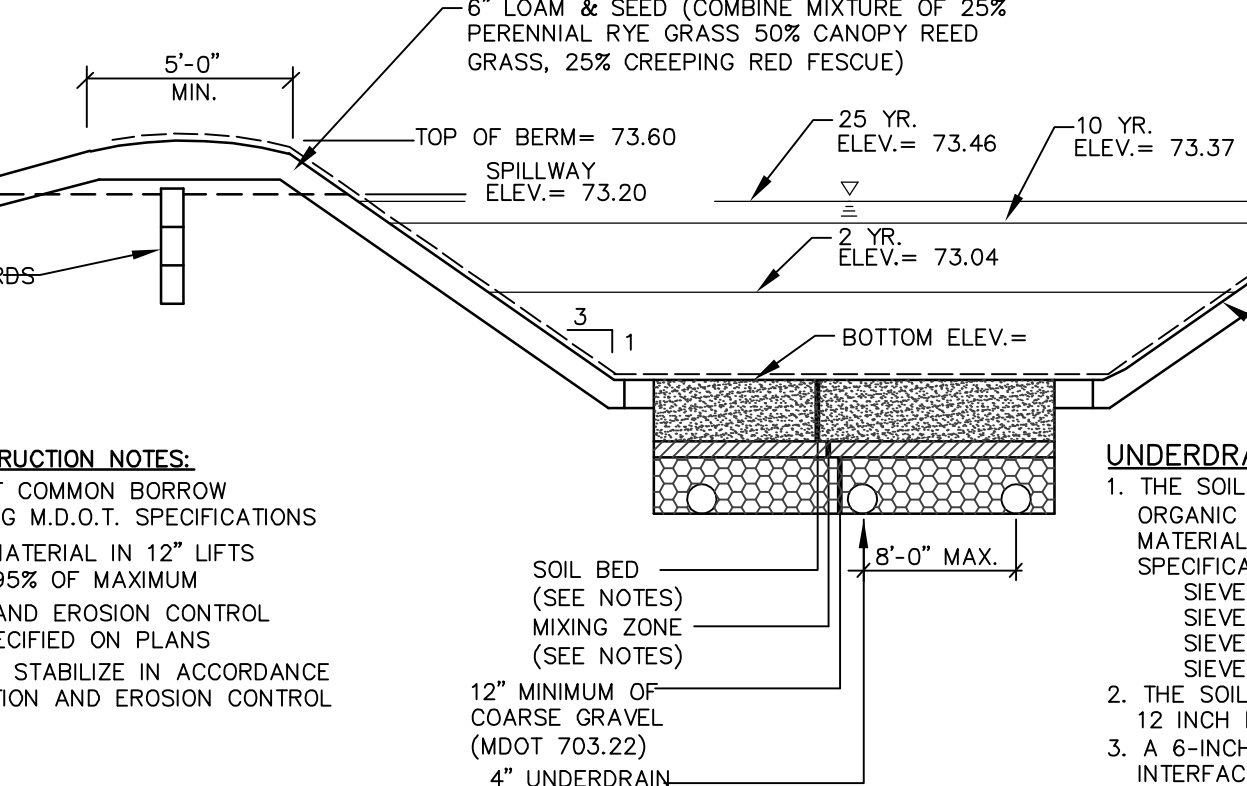
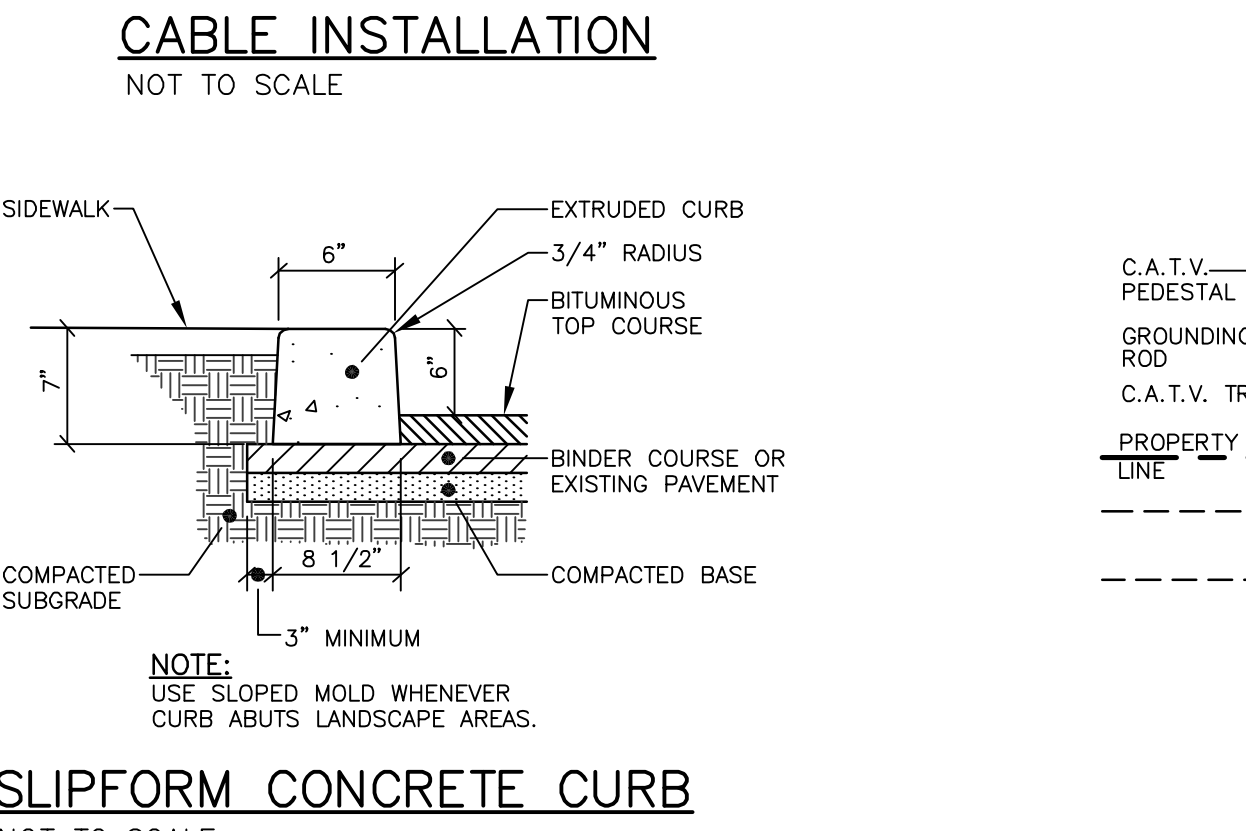
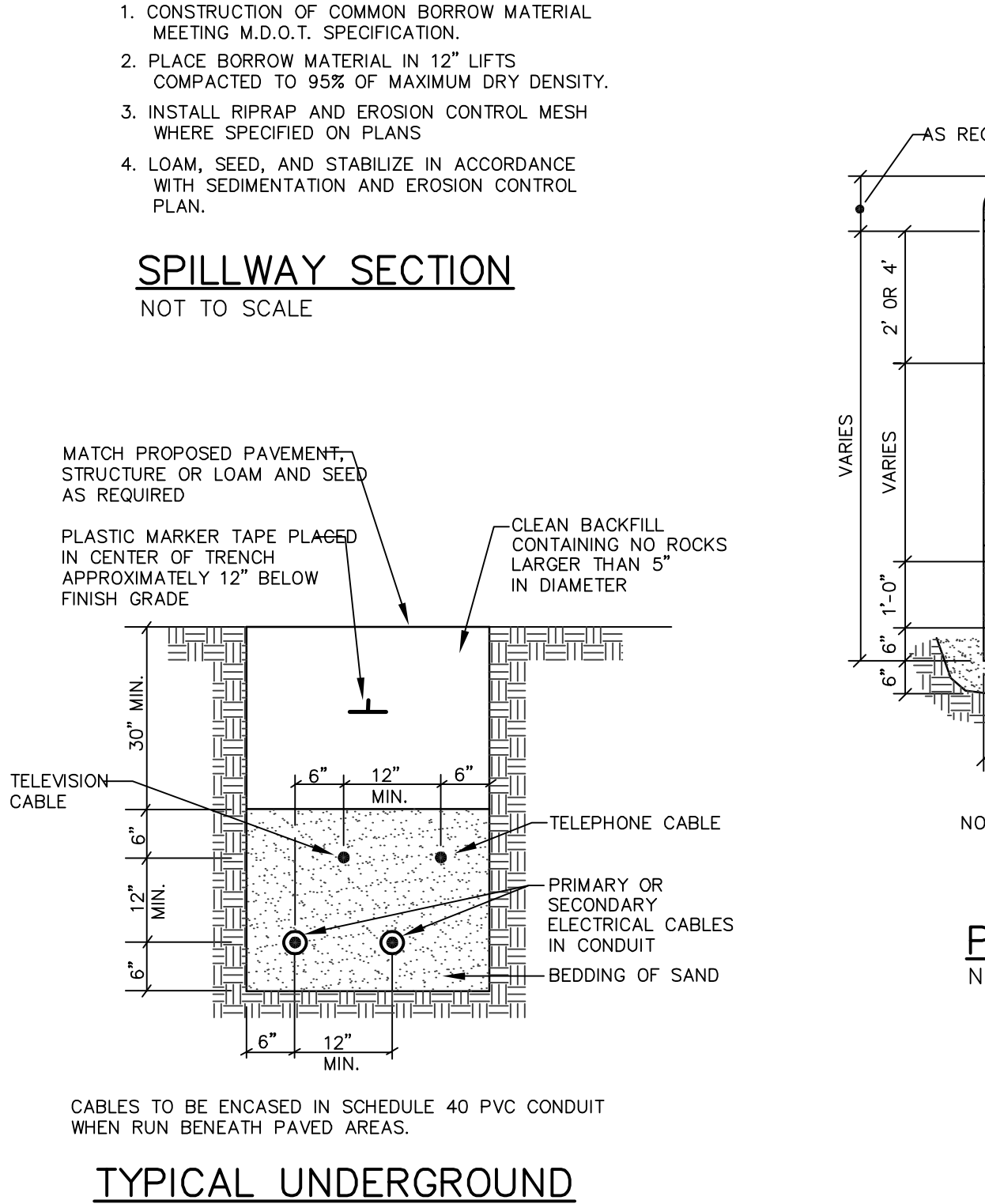
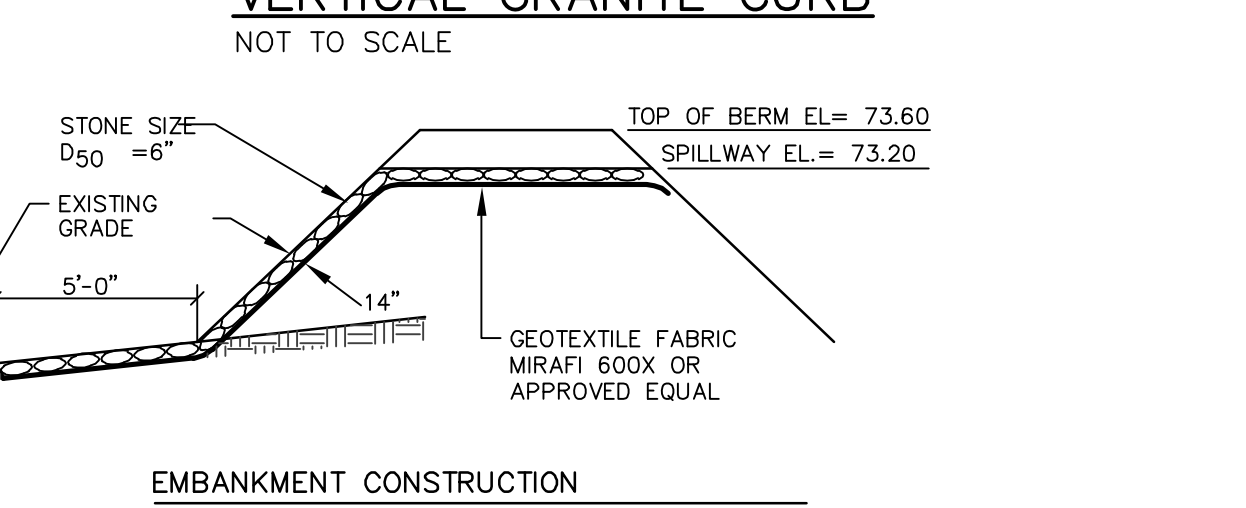
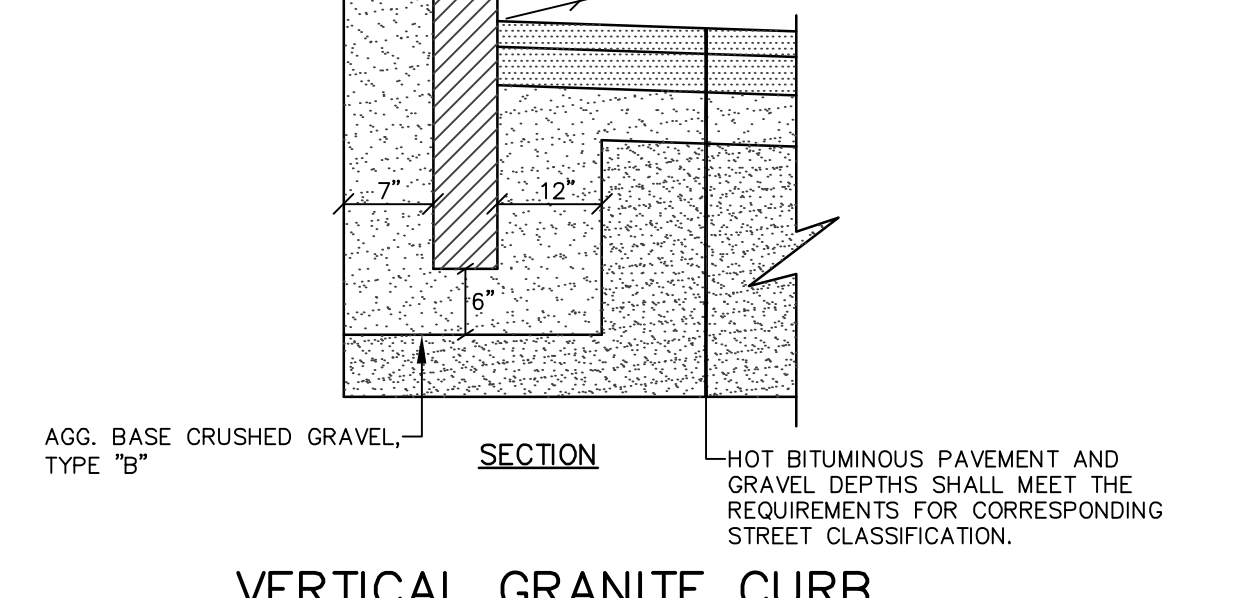
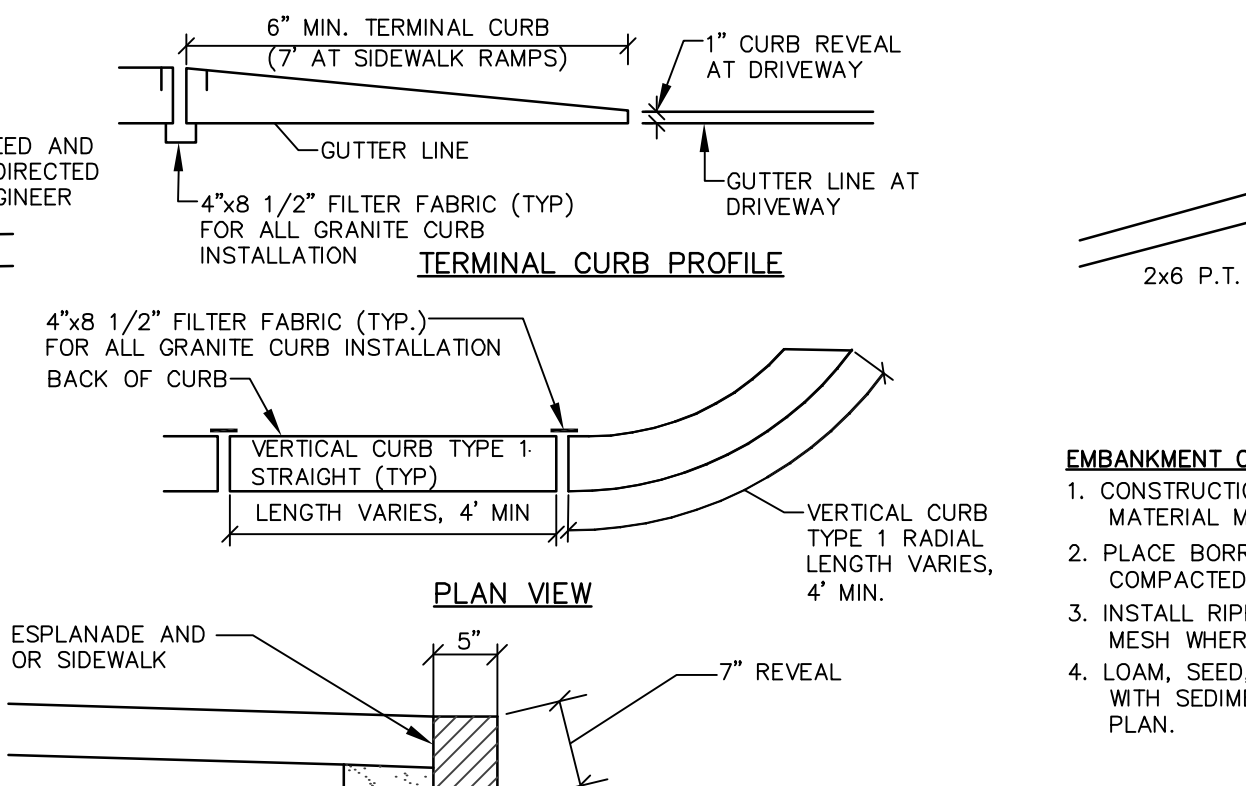
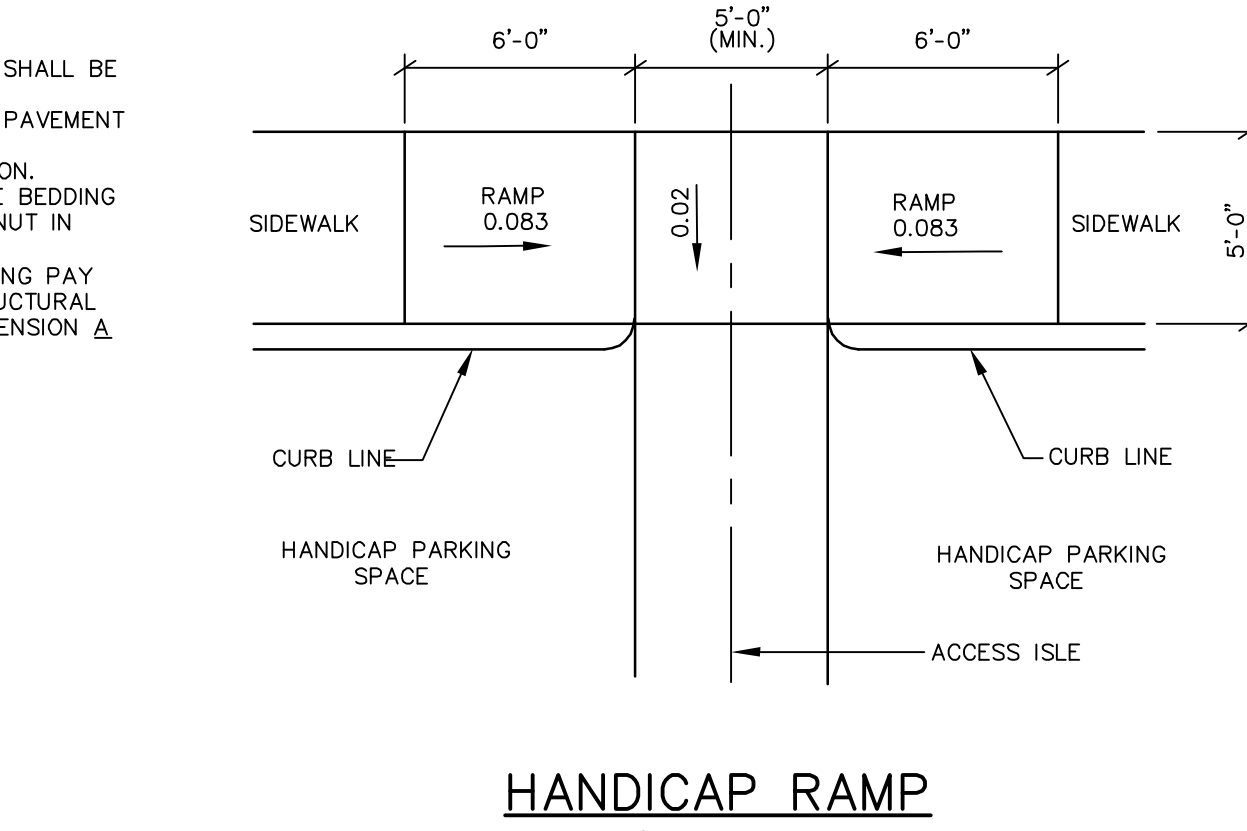
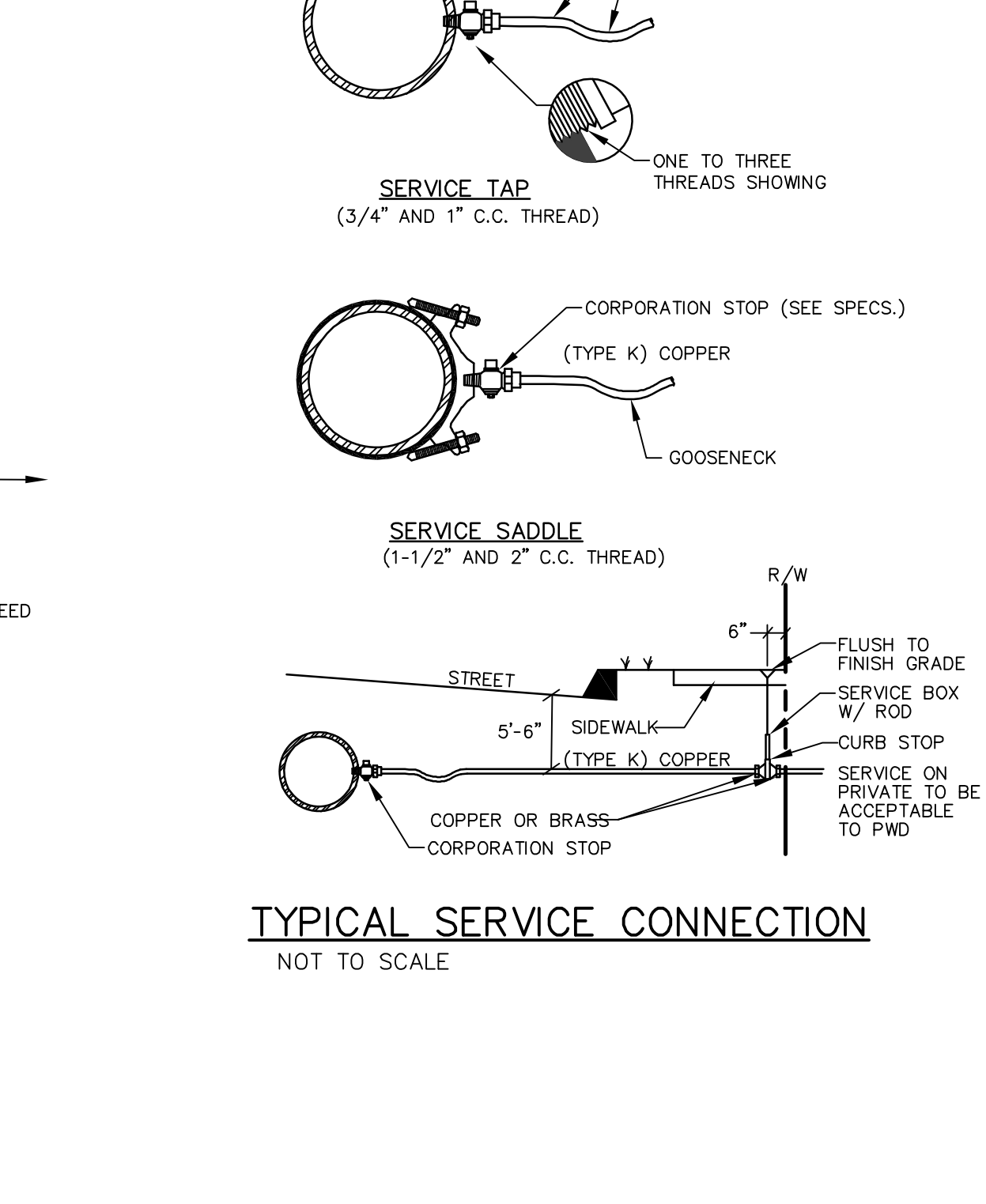
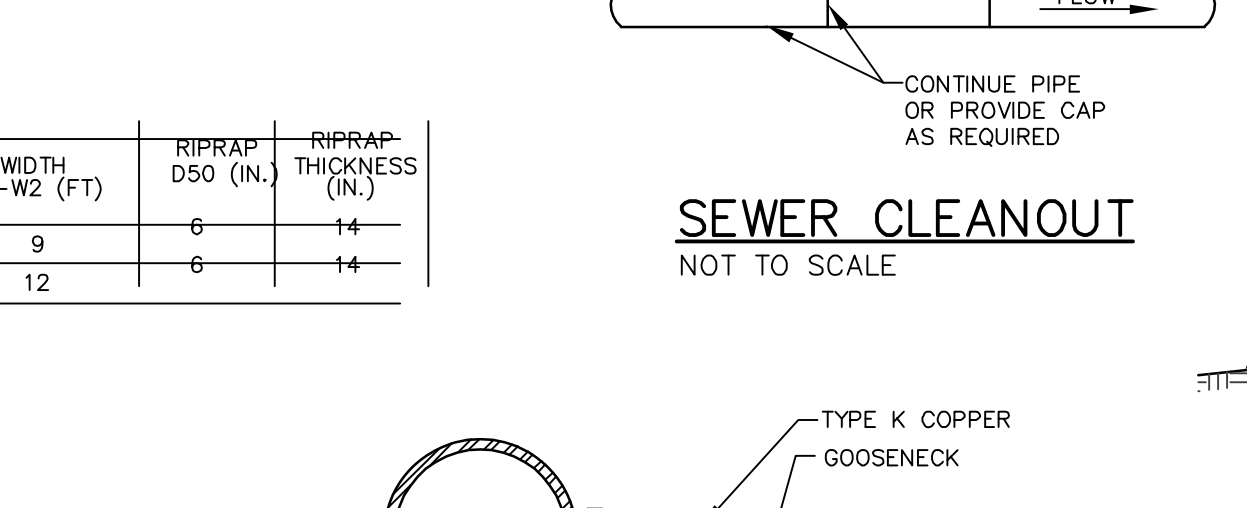
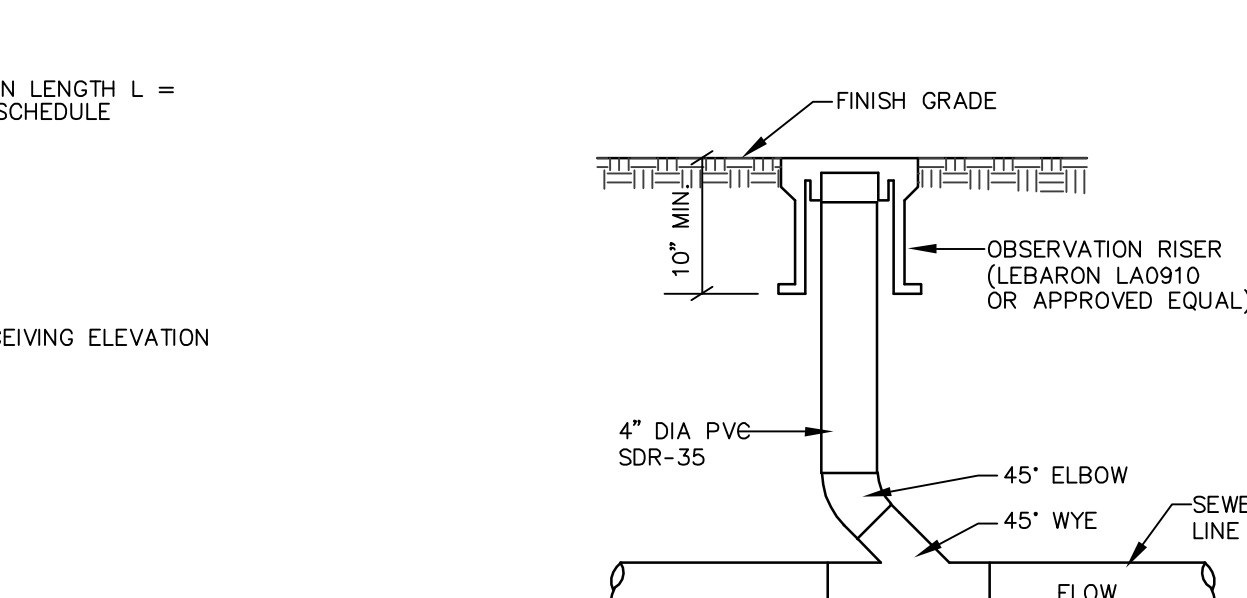
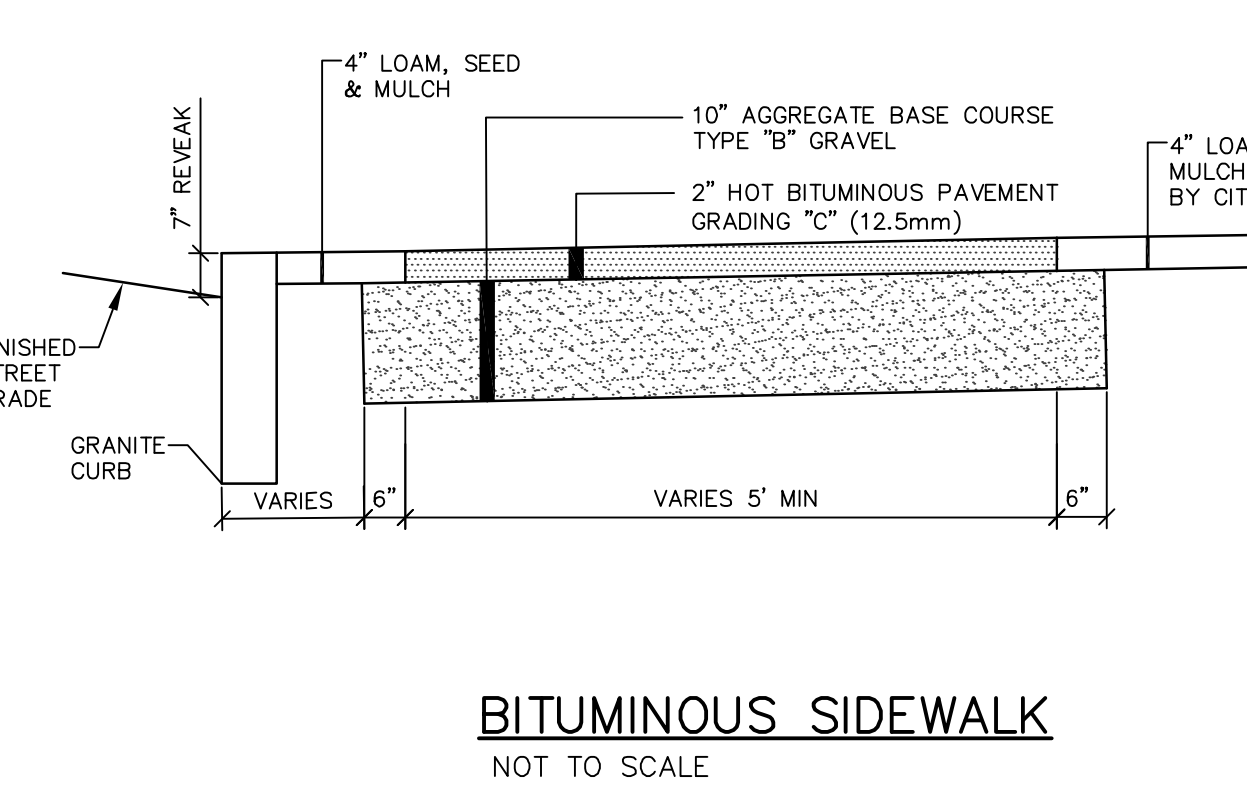
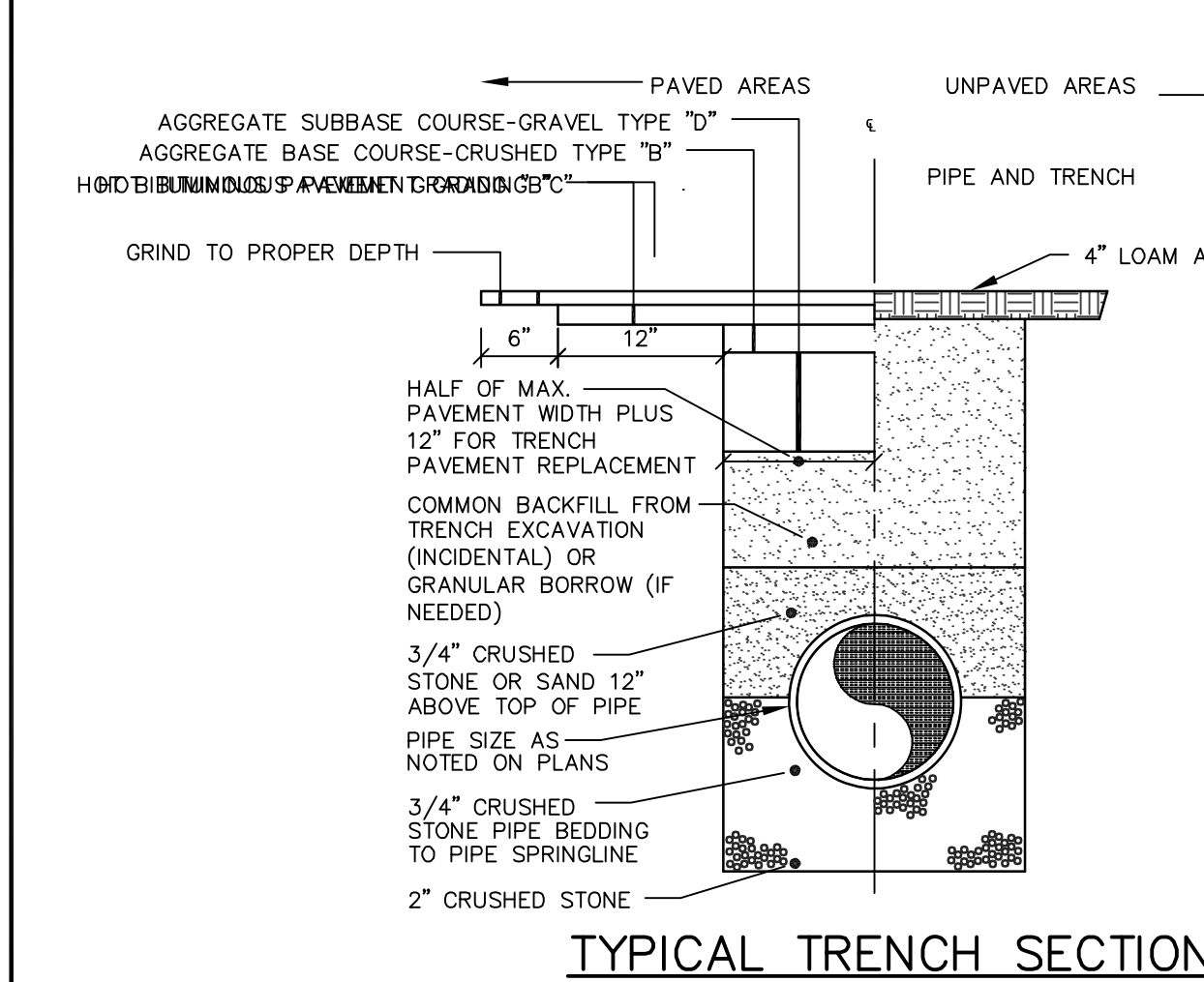
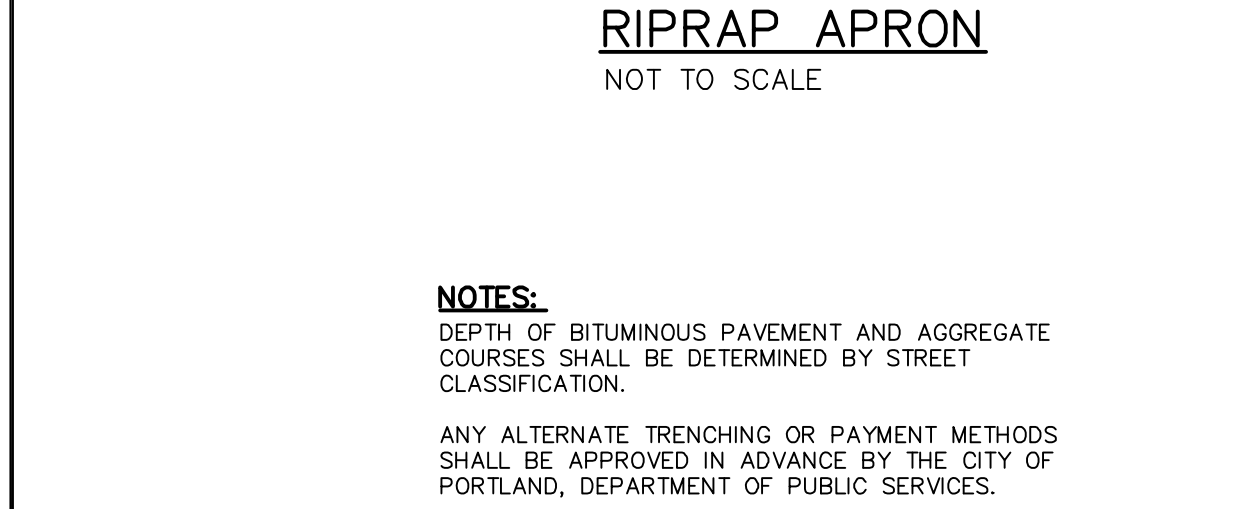


NOTES

- RIPRAP TO BE PROCESSED ANGULAR ROCK
- RIPRAP GRADATION SHALL BE A WELL GRADED MIX FROM ABOUT 1.5 TIMES D SIZE TO 25 PERCENT OF THE D SIZE
- THE RIPRAP STONES SHALL BE CAREFULLY PLACED FROM THE TOE OF THE SLOPE UPWARD
- STONES SHALL BE LOWERED TO THE SLOPE AND NOT BE ALLOWED TO DROP MORE THAN 6" ONTO THE GEOTEXTILE
- THE FINISHED SURFACE SHALL BE A RELATIVELY SMOOTH, UNIFORMLY SLOPED SURFACE

TYPICAL RIPRAP APRON SCHEDULE

CULVERT DIAMETER - D (IN.)	APRON LENGTH - L (FT.)	WIDTH - W1 (FT)	WIDTH - W2 (FT)	RIPRAP D50 (IN.)	RIPRAP THICKNESS (IN.)
12	8	3	9	6	14
15	10	4	12	6	14



DESIGNED BY: RLM
CHECKED BY: RLM

DATE: 5-21-15

PROJECT: 04479

SHEET: 7 OF 7

SEBAGO TECHNICALS
WWW.SEBAGOTECHNICALS.COM
250 Goddard Rd.
Suite B
South Portland, ME 04106
Tel: 207-200-9100

DEERFIELD INDUSTRIAL, LLC.
91 INDUSTRIAL WAY
PORTLAND, ME 04103
1 CANAL PLAZA
PORTLAND, ME 04101