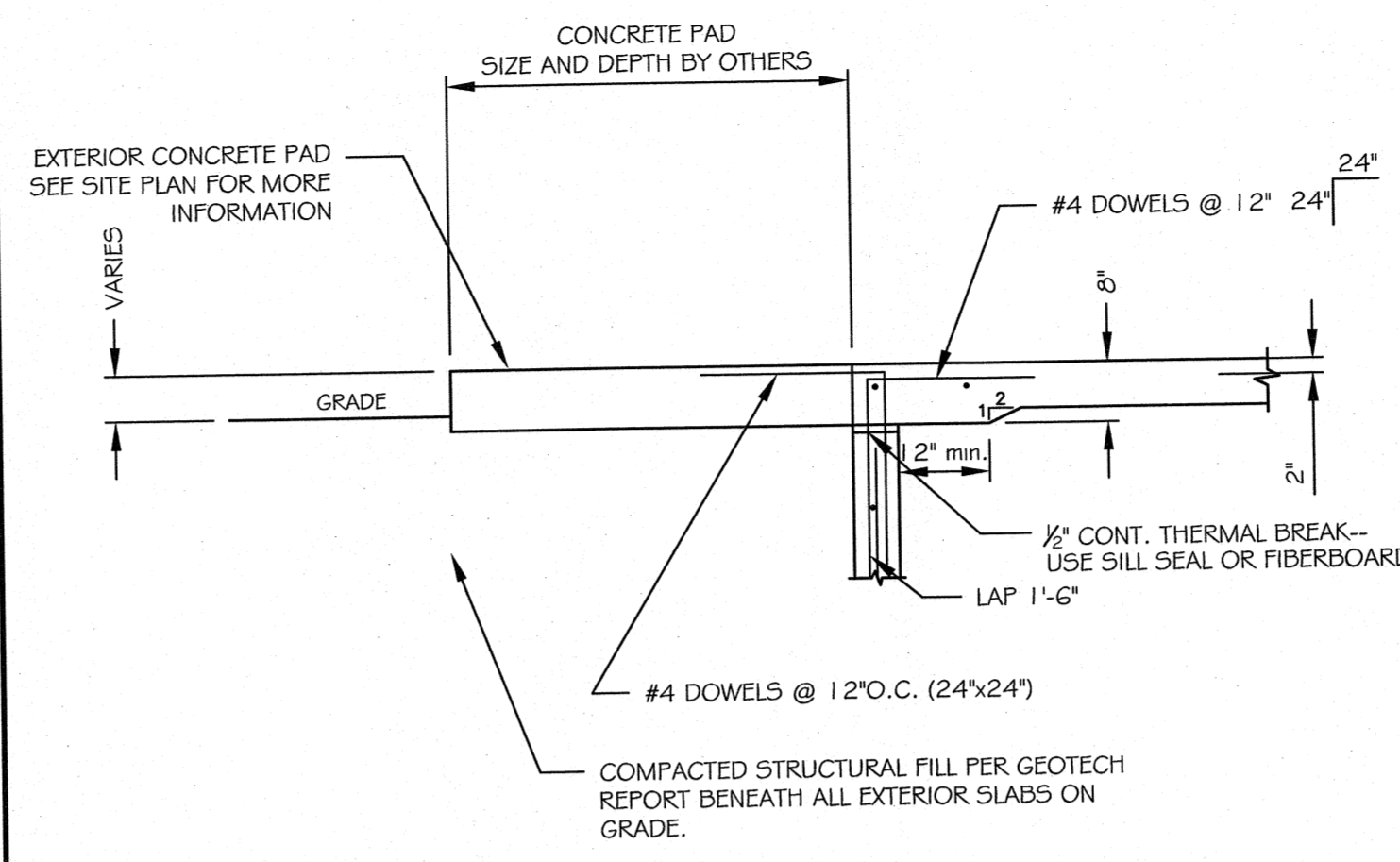
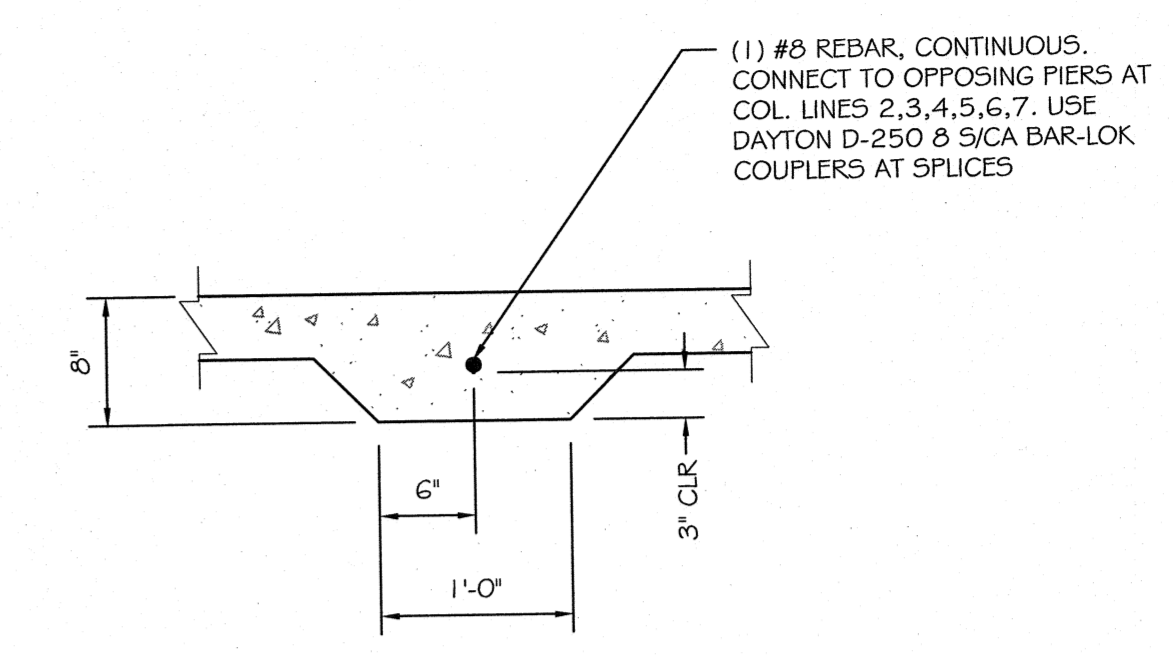


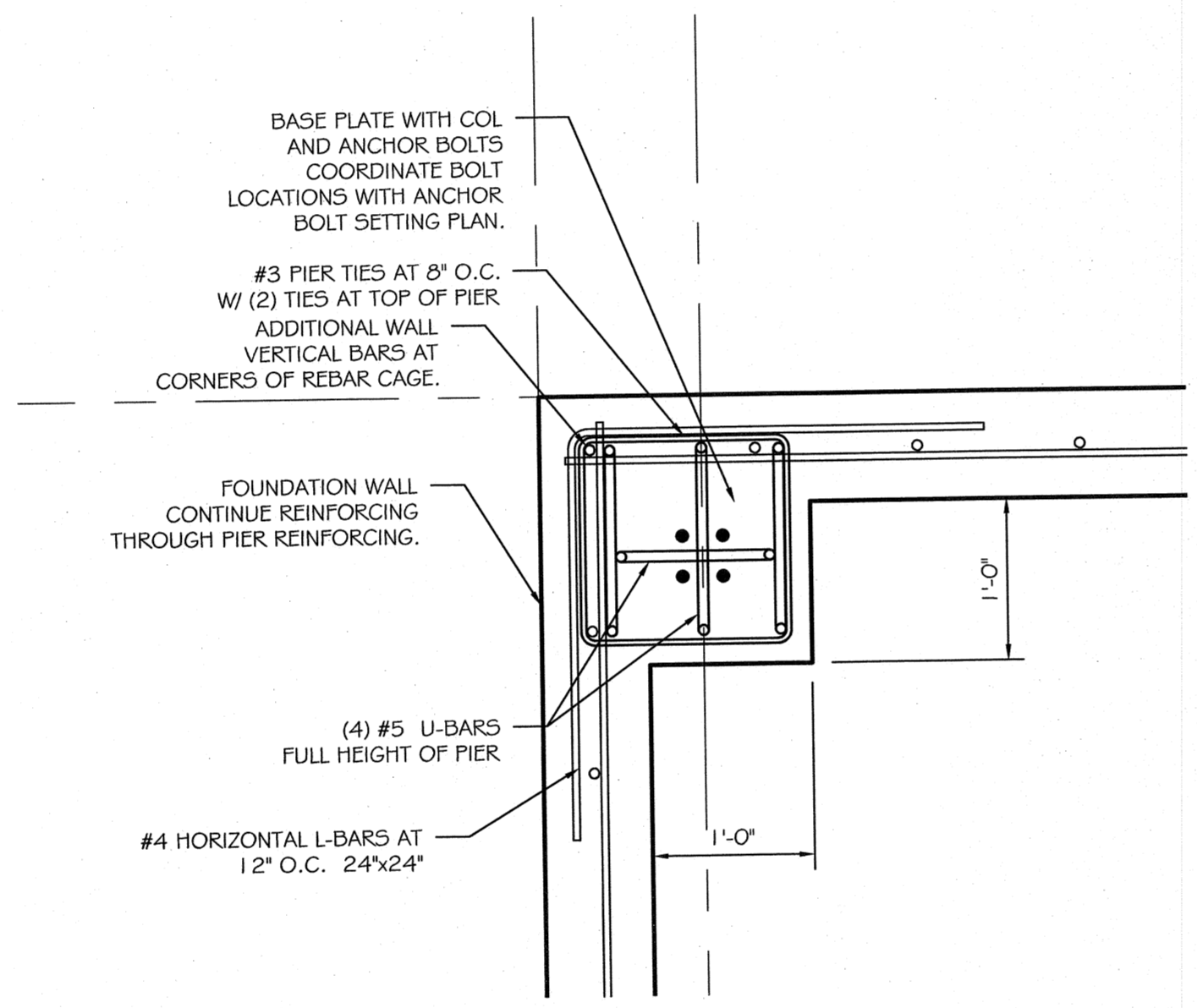
C3 PIER P3 AT END WALL  
SCALE: 1" = 1'-0"



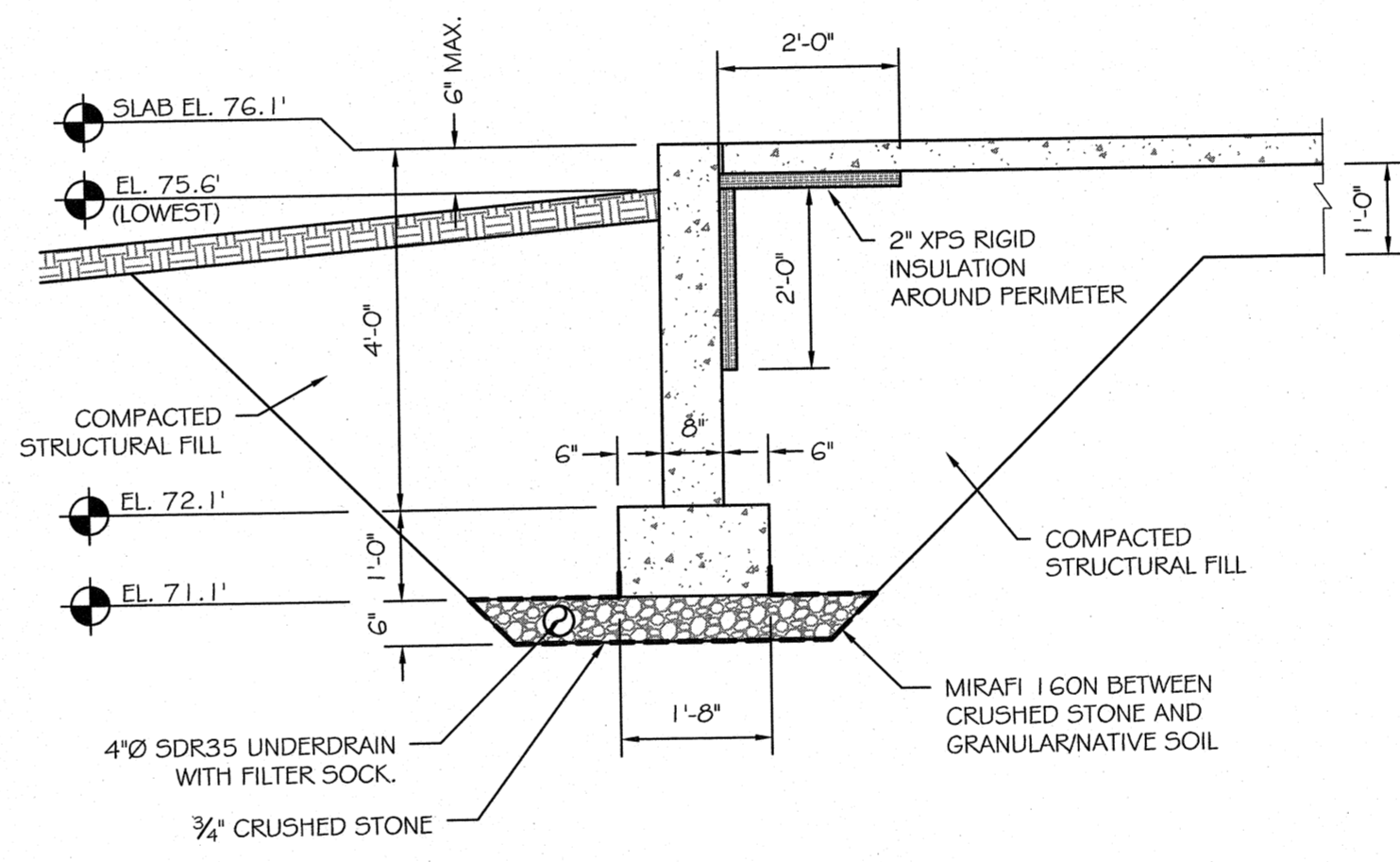
C2 EXTERIOR SLAB AT DOORS  
SCALE: NO SCALE



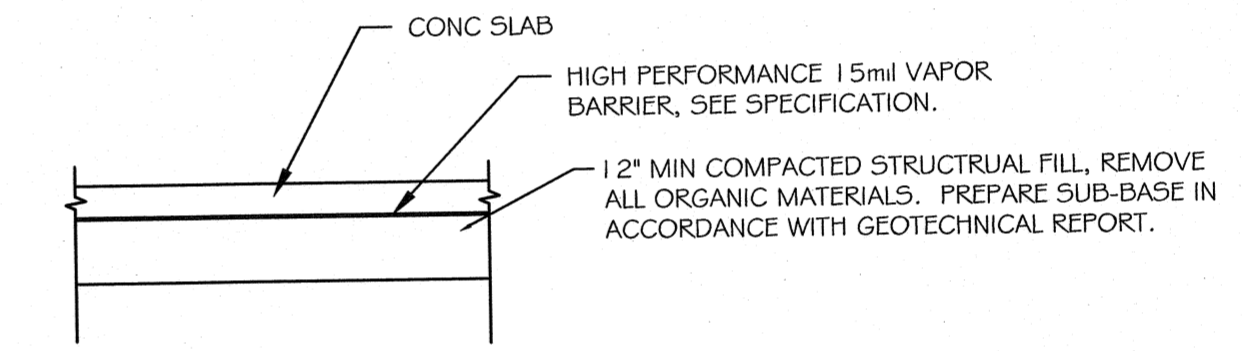
C1 THICKENED SLAB  
SCALE: NO SCALE



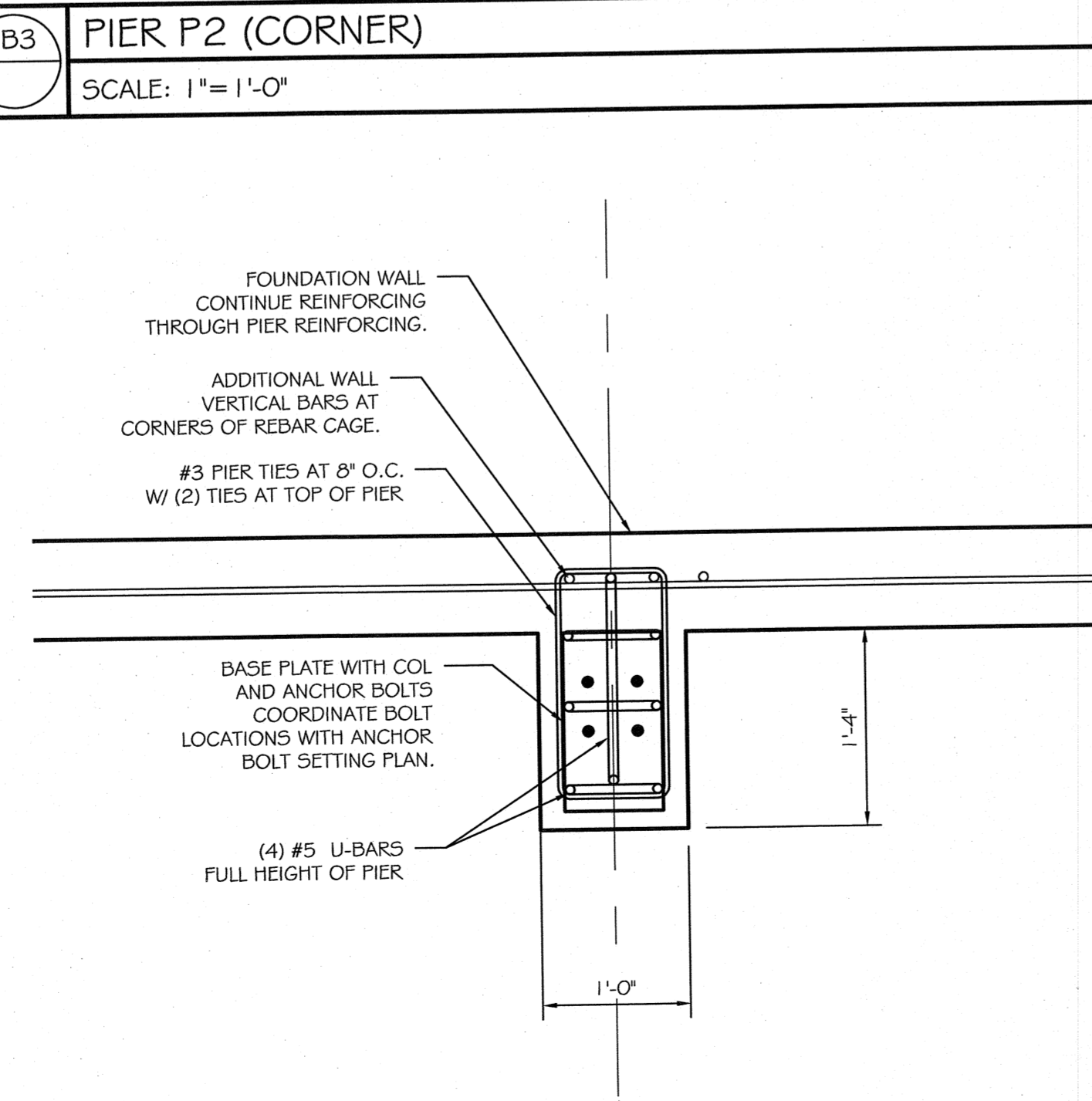
B3 PIER P2 (CORNER)  
SCALE: 1" = 1'-0"



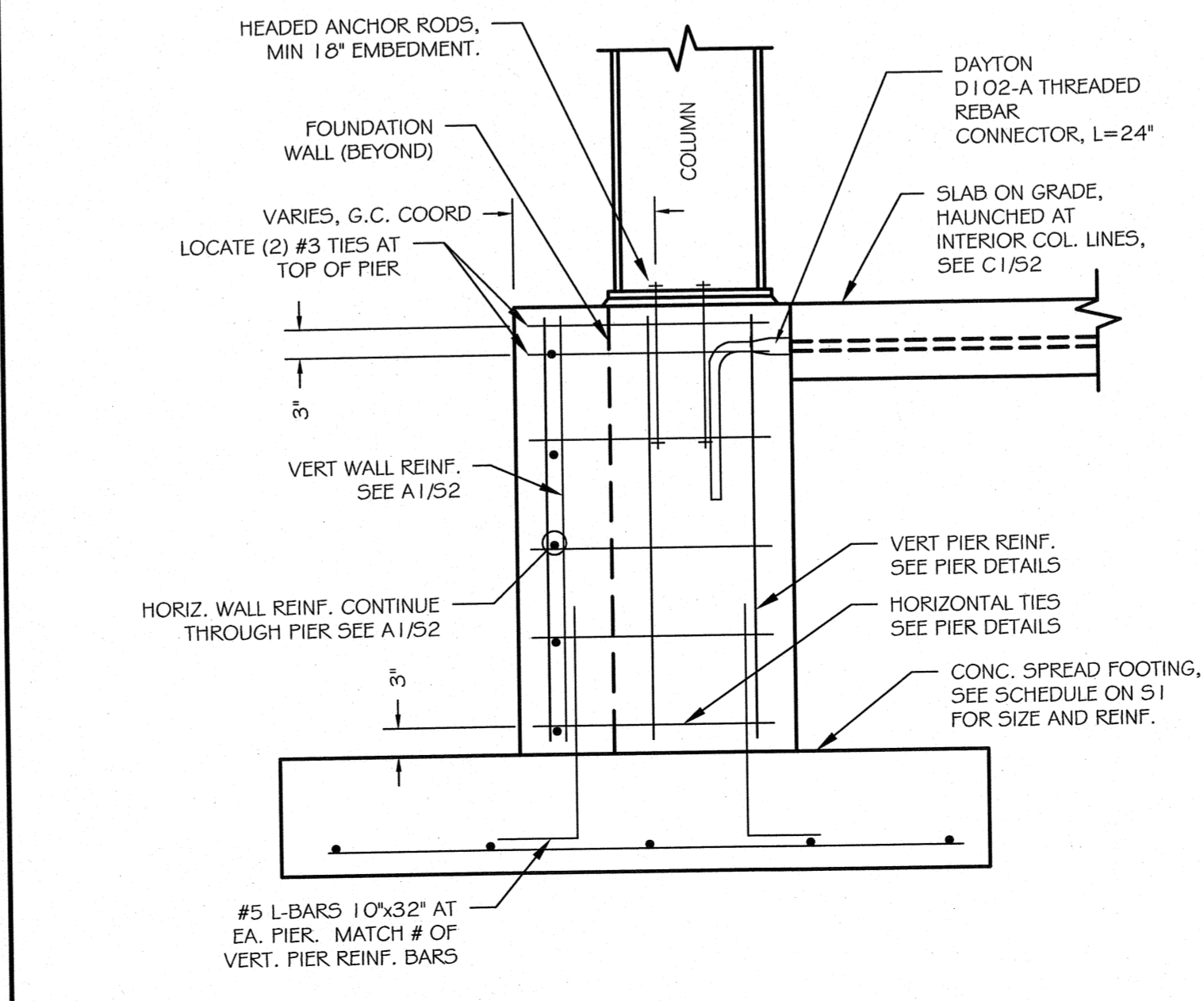
B2 TYPICAL EARTHWORK DETAIL  
SCALE: NO SCALE



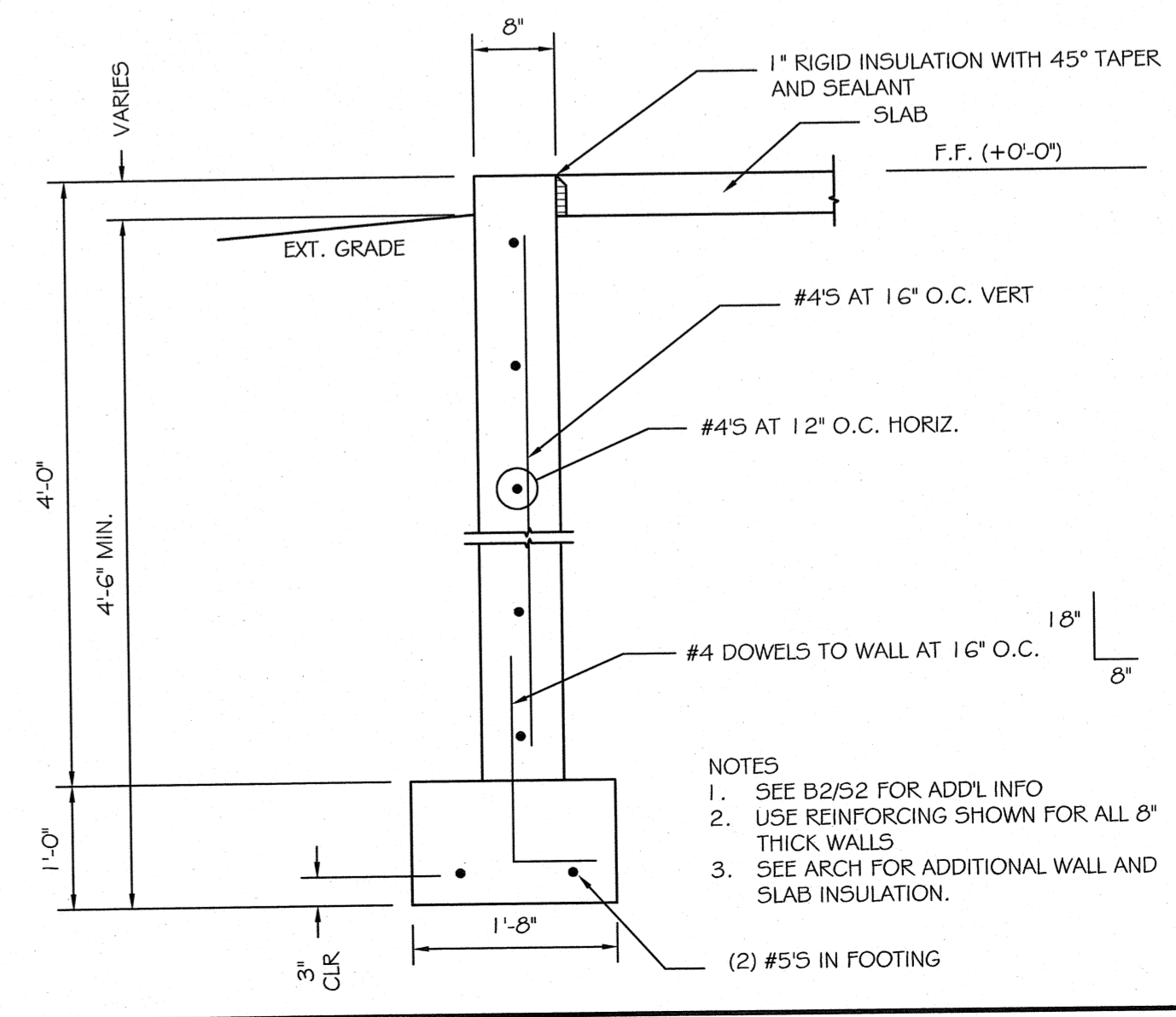
B1 TYPICAL SLAB DETAIL  
SCALE: NO SCALE



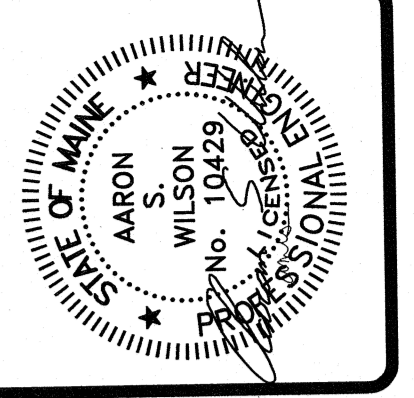
A3 PIER P1  
SCALE: 1" = 1'-0"



A2 TYP. PIER / FOOTING SECTION AT EXTERIOR WALL  
SCALE: NO SCALE



A1 TYPICAL 8" FOUNDATION WALL  
SCALE: 3/4" = 1'-0"



**ASSOCIATED DESIGN PARTNERS INC.**  
Office: (207) 878-1751  
Falmouth, Maine 04105  
E-Mail: adp@edpartnering.com

THIS DRAWING, DESIGN AND ELECTRONIC FILE ARE THE PROPERTY OF ASSOCIATED DESIGN PARTNERS, INC. THE REPRODUCTION, COPYING OR ANY OTHER USE OF THIS DOCUMENT WITHOUT WRITTEN CONSENT IS PROHIBITED.

PROJECT: **9,900 SF BUILDING**  
**81 INDUSTRIAL WAY, PORTLAND, MAINE**  
FOR: DEERFIELD 91 INDUSTRIAL, LLC  
SHEET TITLE: **FOUNDATION PLAN**  
ISSUED FOR CONSTRUCTION

REVISIONS	DATE

DATE: 8/31/15  
SCALE: AS NOTED  
DESIGN BY: ASW  
DRAWN BY: RSC  
FILE #:  
PROJECT NUMBER: **15231**  
SHEET NO: **S2**