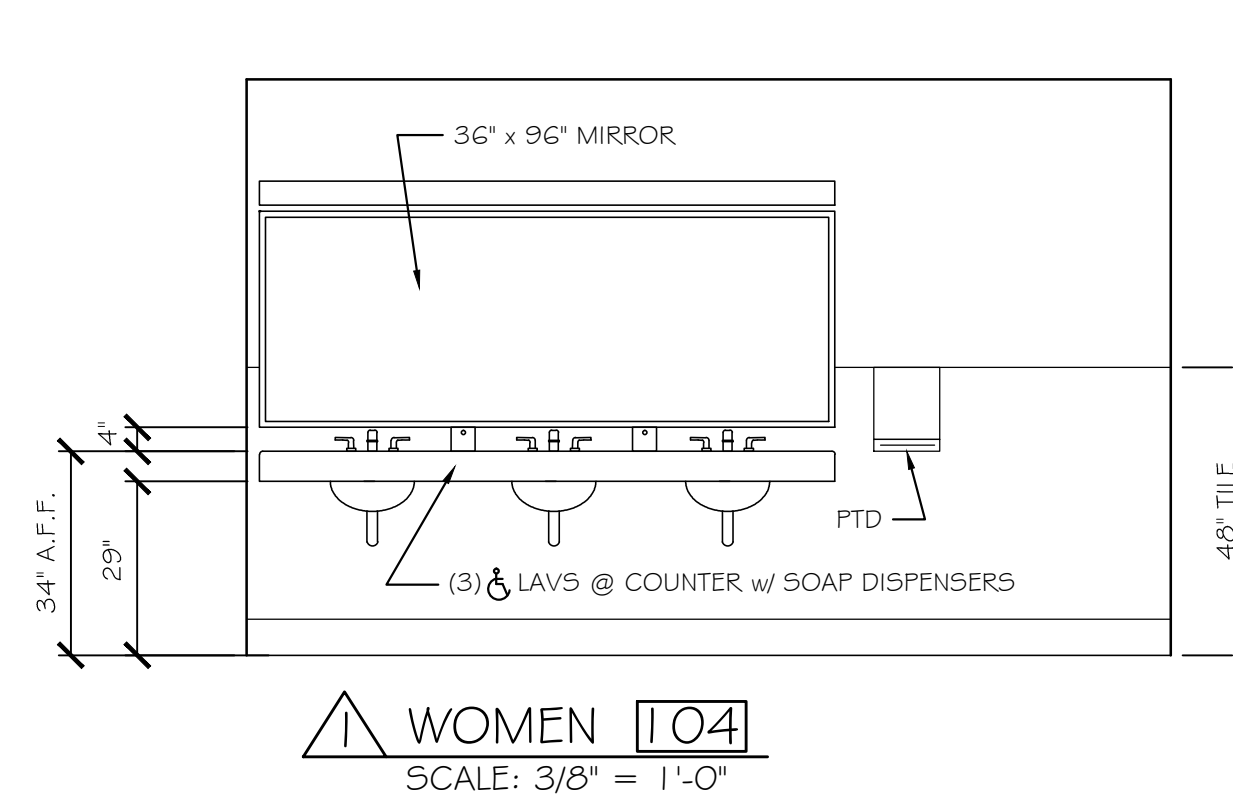


ACCESSORIES ABBREVIATIONS	
GB	GRAB BAR
PTD	PAPER TOWEL DISPENSER
SD	SOAP DISPENSER
SDU	SANITARY DISPOSAL UNIT
TPH	TOILET PAPER HOLDER

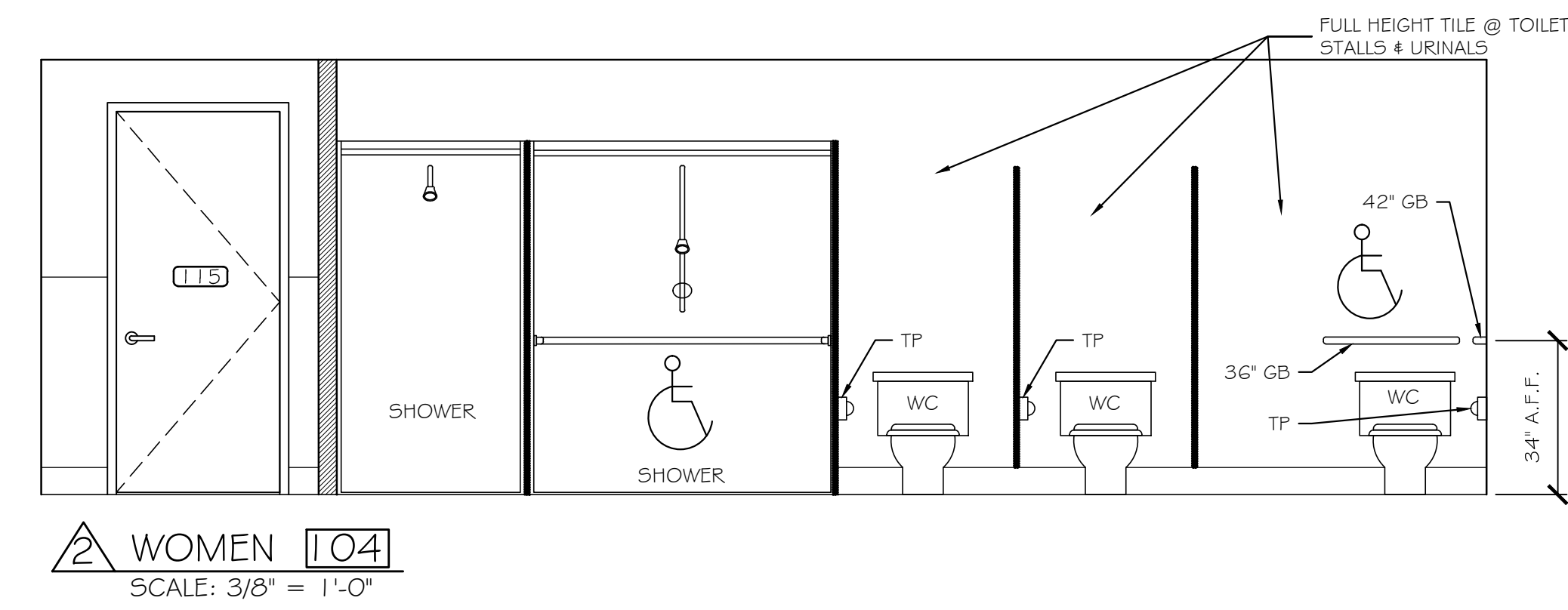
FLOOR PLAN
SCALE: 3/8" = 1'-0"

NOTE: FIELD VERIFY SHOWER COMPARTMENT SIZE w/ SHOWER UNIT PRIOR TO ROUGH-IN AT ALL COMPARTMENTS

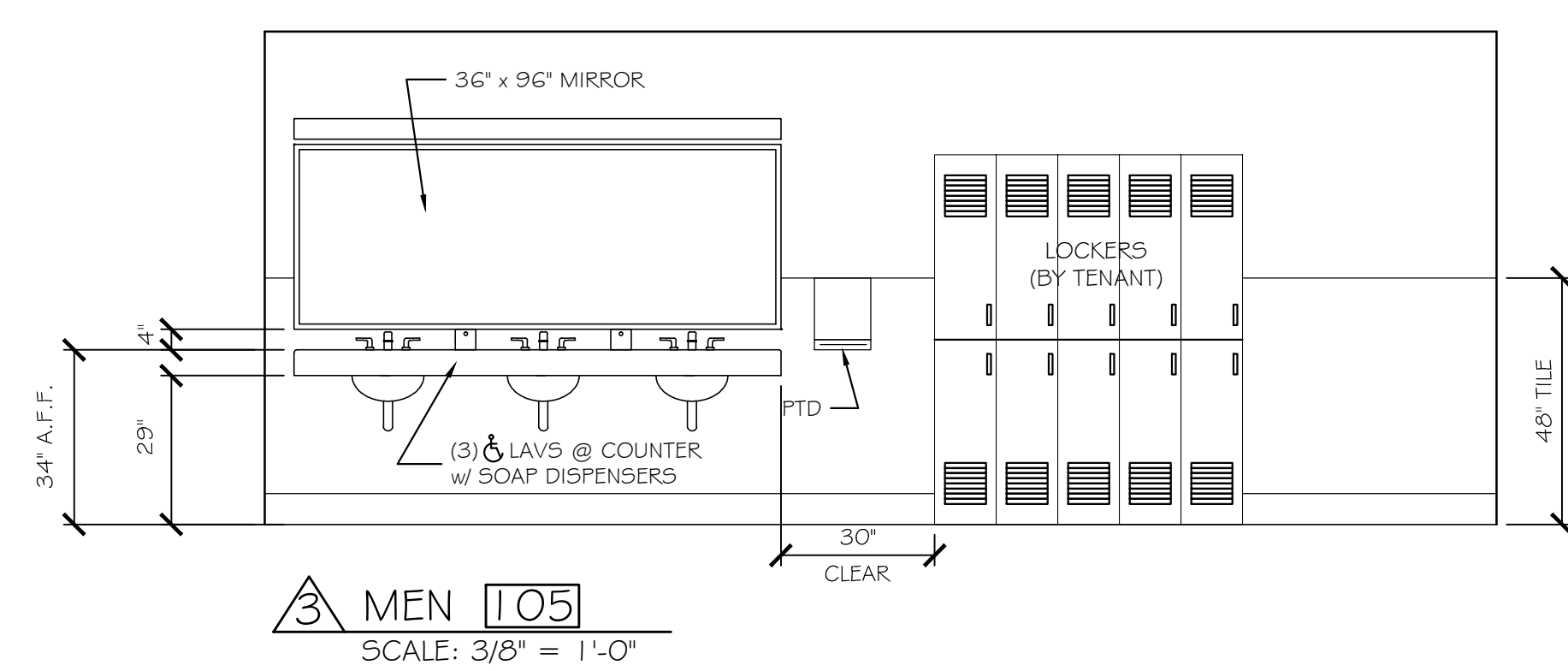
NOTE: FIELD VERIFY SHOWER COMPARTMENT SIZE w/ SHOWER UNIT PRIOR TO ROUGH-IN AT ALL COMPARTMENTS



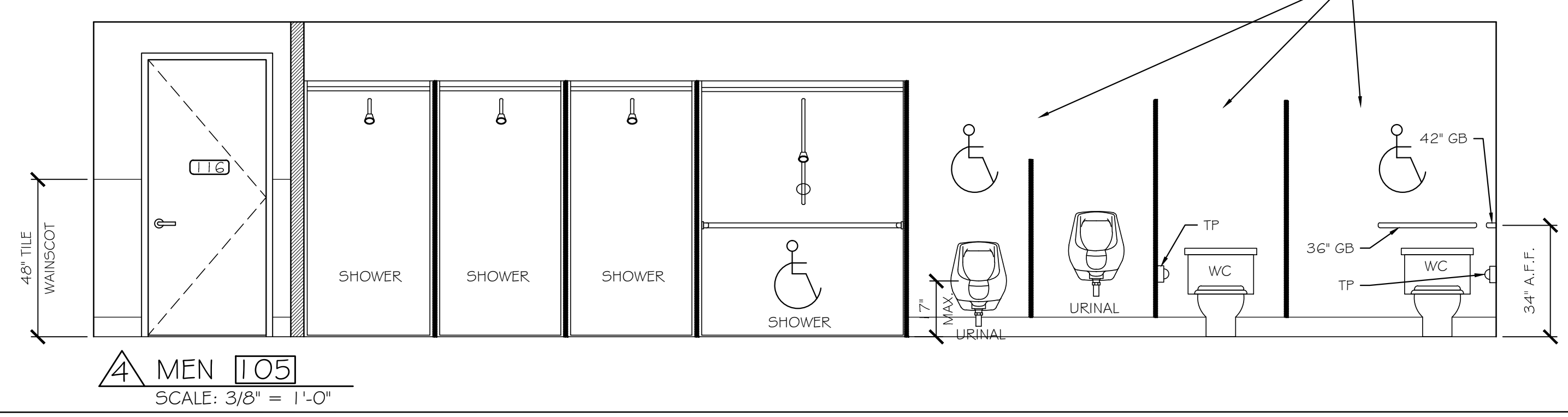
WOMEN 104
SCALE: 3/8" = 1'-0"



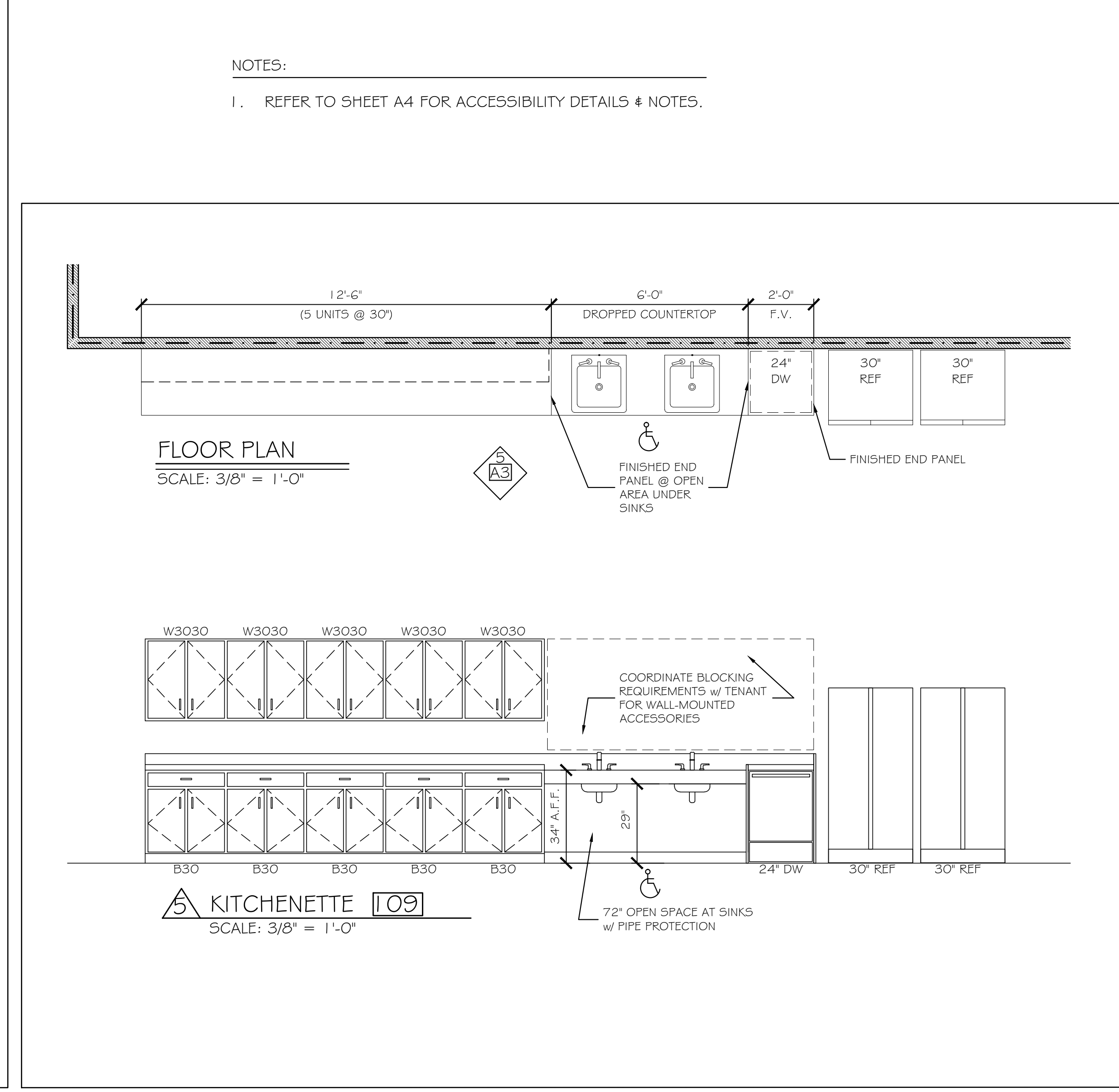
WOMEN 104
SCALE: 3/8" = 1'-0"



MEN 105
SCALE: 3/8" = 1'-0"



MEN 105
SCALE: 3/8" = 1'-0"



FLOOR PLAN
SCALE: 3/8" = 1'-0"

KITCHENETTE 109
SCALE: 3/8" = 1'-0"

NOTES:
1. REFER TO SHEET A4 FOR ACCESSIBILITY DETAILS & NOTES.