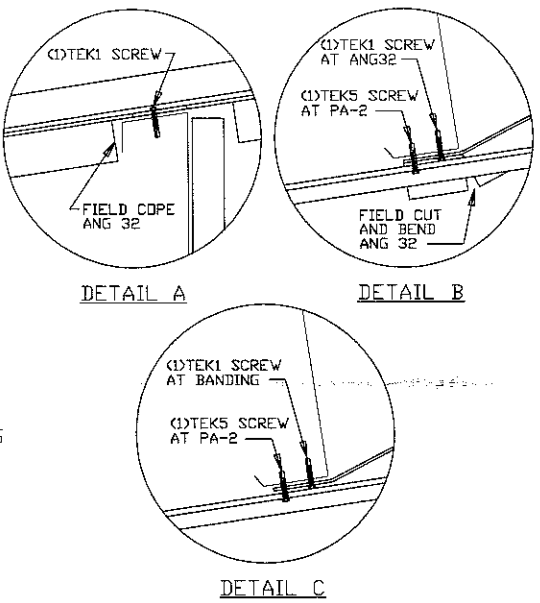
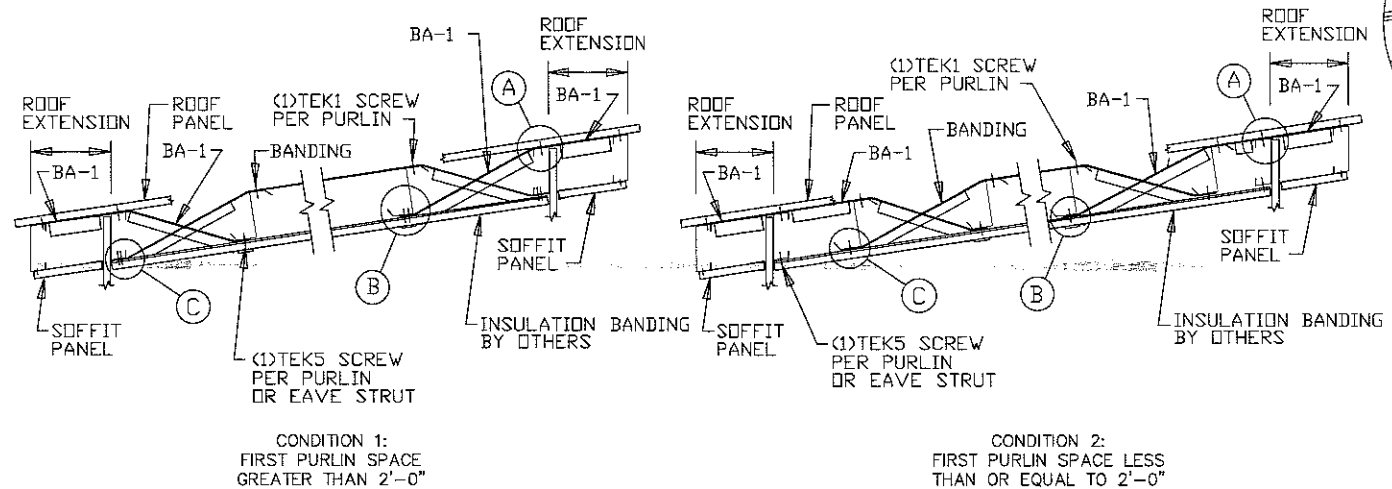


STANDARD PURLIN BRACING DETAIL FOR STANDING SEAM ROOF PANELS

NOTE 1: SPACE BANDING EVENLY ACROSS BAYS.
 NOTE 2: SPLICE PA-2 USING A 4 1/2" LAP AND (5) TEK5 SCREWS EVENLY SPACED.

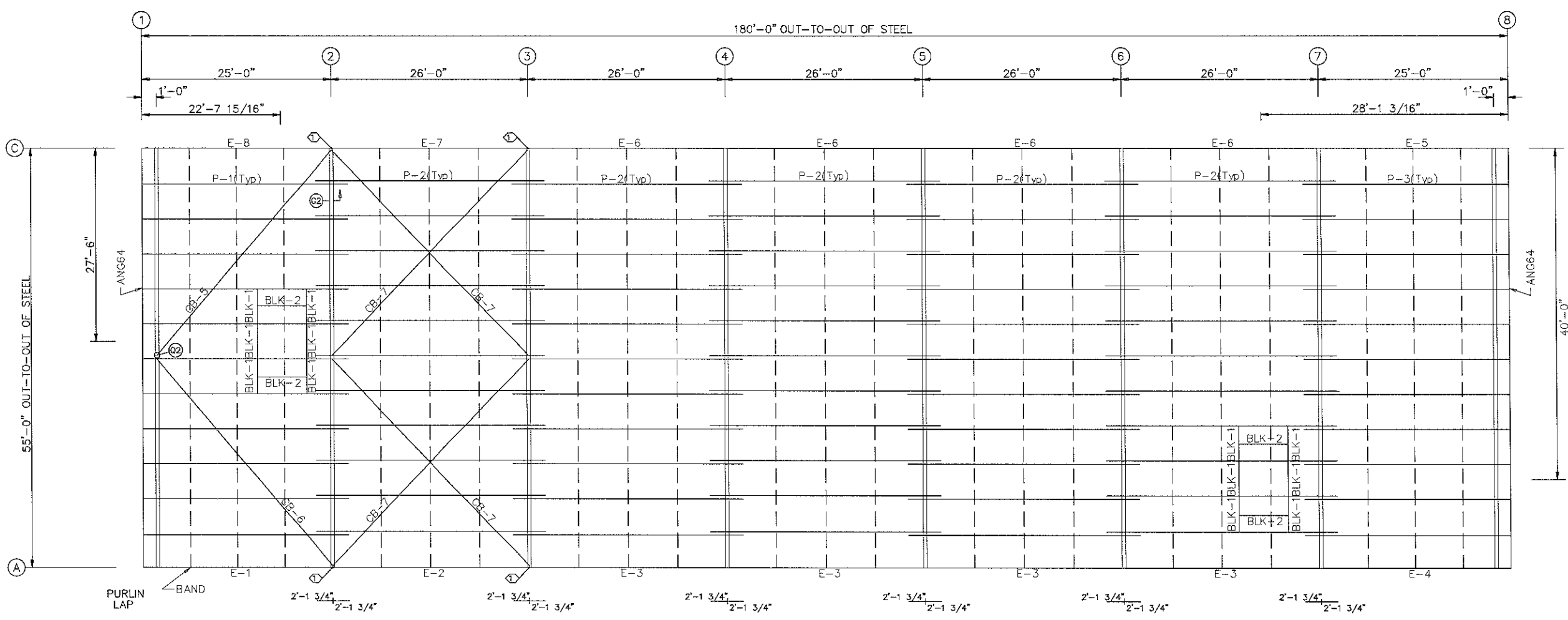


MEMBER TABLE			
ROOF PLAN			
QUAN	MARK	PART	LENGTH
11	P-1	11X25Z13	27'-1 1/2"
55	P-2	11X25Z13	30'-3 1/2"
11	P-3	11X25Z13	27'-1 1/2"
1	E-1	11X35E13	24'-11 1/2"
1	E-2	11X35E10	25'-11 1/2"
4	E-3	11X35E13	25'-11 1/2"
1	E-4	11X35E13	24'-11 1/2"
1	E-5	11X35E13	24'-11 1/2"
4	E-6	11X35E13	25'-11 1/2"
1	E-7	11X35E10	25'-11 1/2"
1	E-8	11X35E13	24'-11 1/2"
1	CB-5	CABLE250	33'-7 5/16"
1	CB-6	CABLE250	33'-7 1/4"
4	CB-7	CABLE375	34'-8 13/16"
12	BLK-1	8X35C16	4'-1 3/16"
4	BLK-2	8X35C16	4'-2 3/8"

SPECIAL BOLTS						
ROOF PLAN						
Q	ID	QUAN	TYPE	DIA	LENGTH	WASH
1		4	A325	1/2"	1 1/4"	0

SCORLE
 404 Sarah Furnace Road - Imbler, PA 16655 (814) 276-9611
ALLAGASH BREWING WAREHOUSE
 55'-0" x 180'-0" x 17'-0" x 21'-7"
 DATE: 7/30/15 REVISION: 01
 ENG: AJR DWN: BJC APPD: AJR

F.O. 19026



ROOF FRAMING PLAN

GENERAL NOTES:
 1. Screw Down Roof: Use TEK5WW screws in place of SD150 panel screws at all 10 gage purlins, eave struts, or roof joists.
 2. Standing Seam Roof: Use FST#6 in place of FST#1 clip to purlin screws at all 10 gage purlins, eave struts, or at roof joists.

NOTE(S):
 ATTACH ROOF BLOCKING USING JC CLIPS AND (8) TEK1 SCREWS PER CLIP.

ALLAGASH BREWING WAREHOUSE

REV.	DATE	DESCRIPTION
01	8-12-15	SEE CO-01

DRAWING STATUS
 FOR APPROVAL: THESE DRAWINGS, BEING FOR APPROVAL, ARE BY DEFINITION NOT FINAL, AND ARE FOR CONCEPTUAL REPRESENTATION ONLY. THEIR PURPOSE IS TO CONFIRM PROPER INTERPRETATION OF THE PROJECT DOCUMENTS. ONLY DRAWINGS ISSUED "FOR CONSTRUCTION" CAN BE CONSIDERED AS COMPLETE.
 FOR PERMIT: THESE DRAWINGS, BEING FOR PERMIT, ARE BY DEFINITION NOT FINAL. ONLY DRAWINGS ISSUED "FOR CONSTRUCTION" CAN BE CONSIDERED AS COMPLETE.
 FOR CONSTRUCTION: FINAL DRAWINGS.

