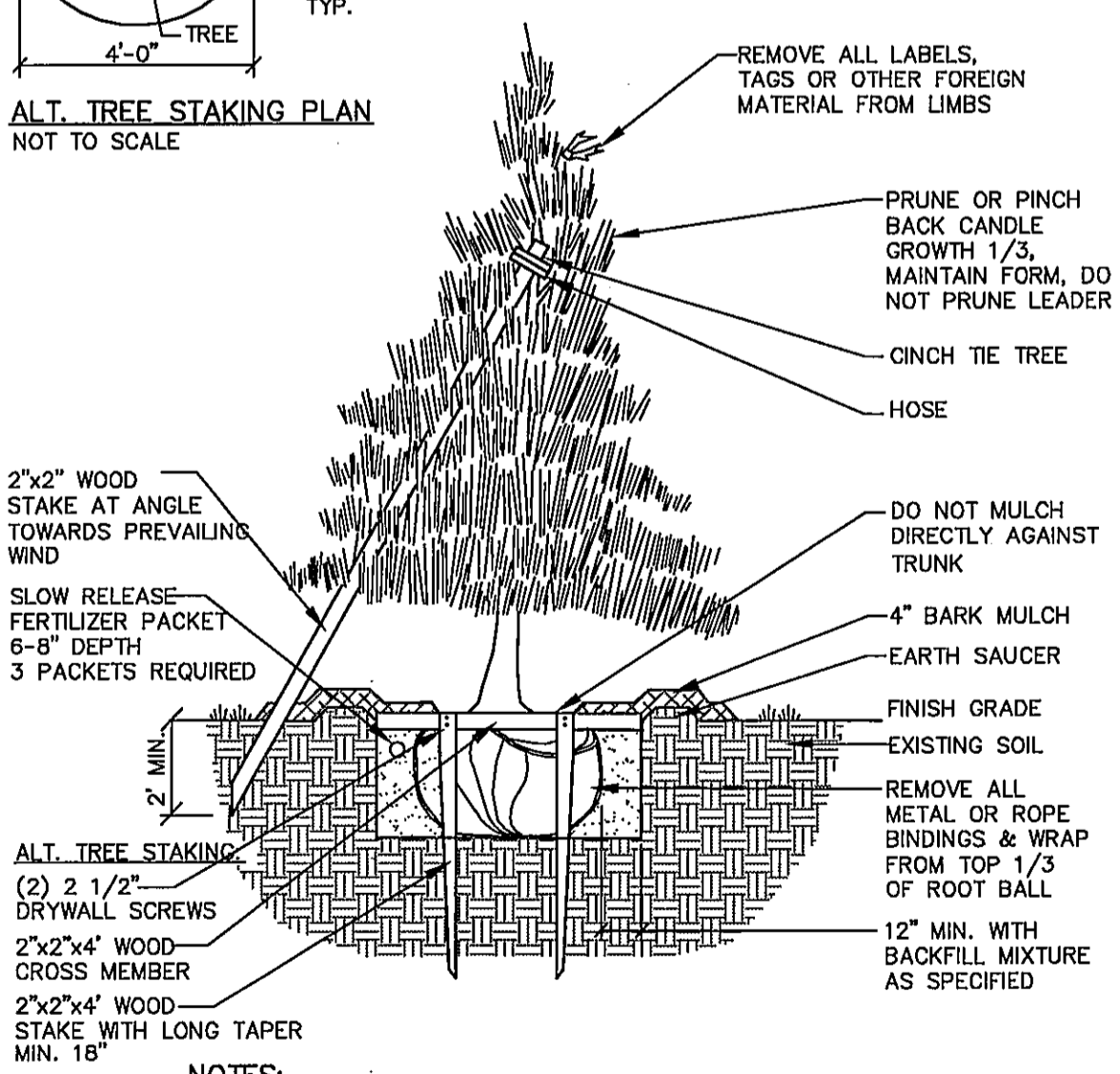
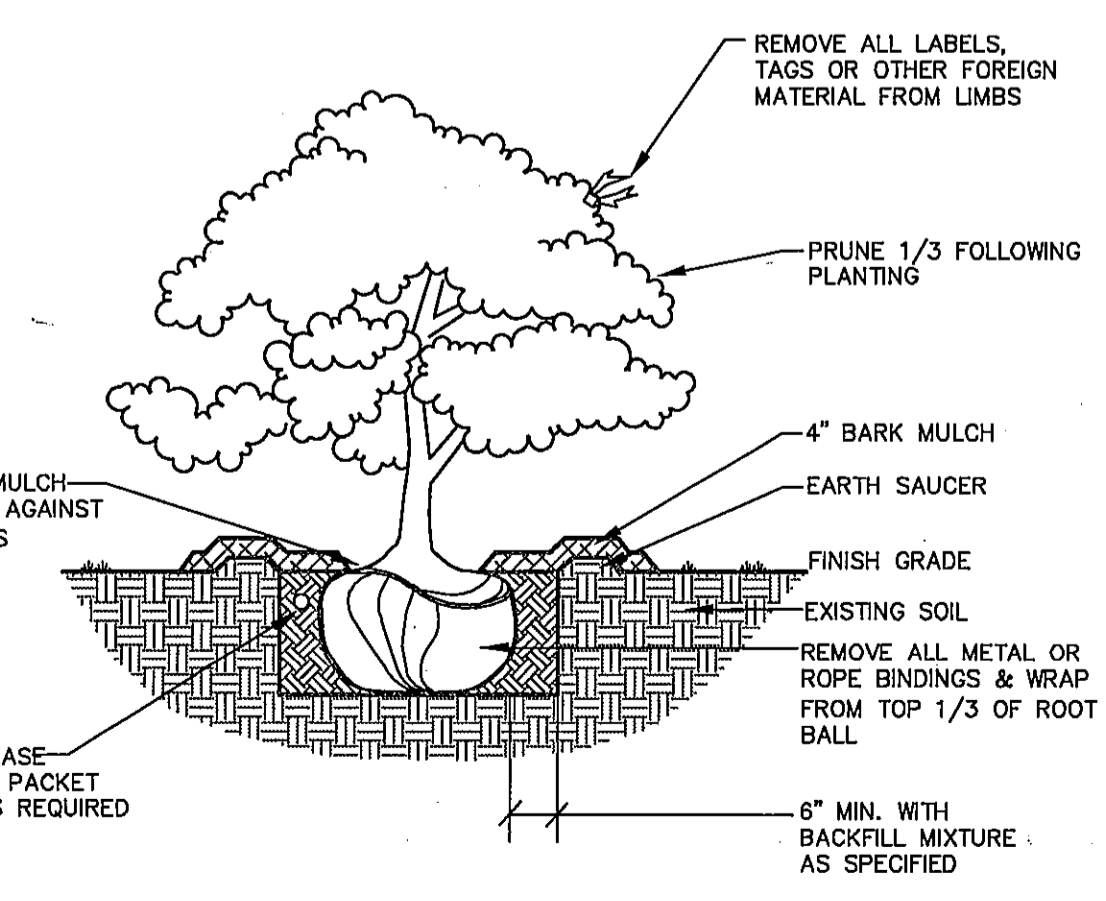
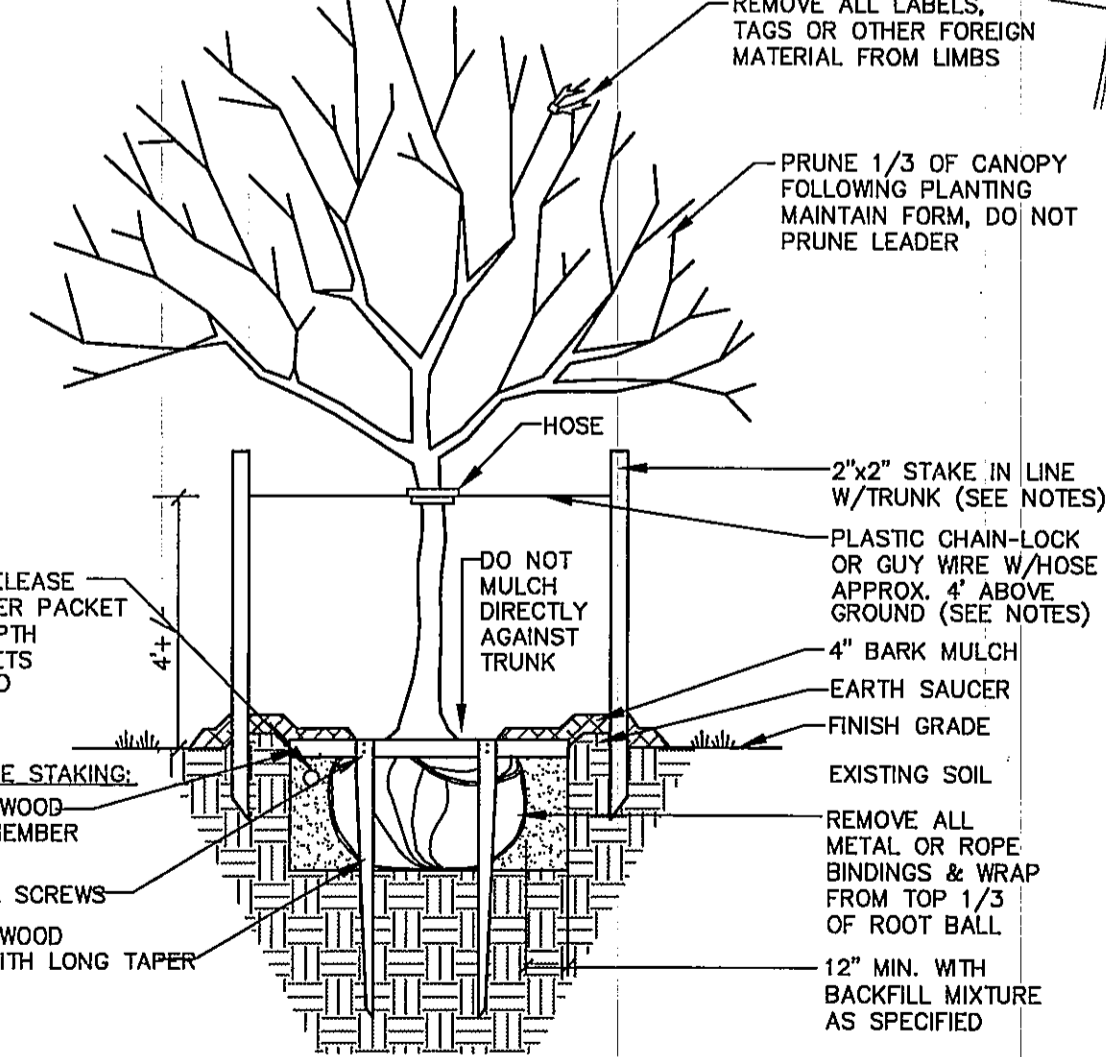
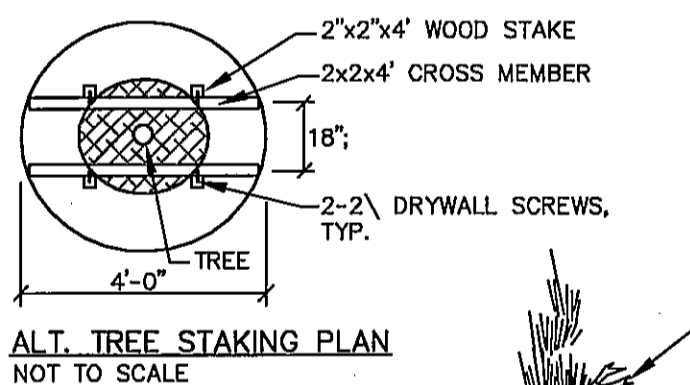
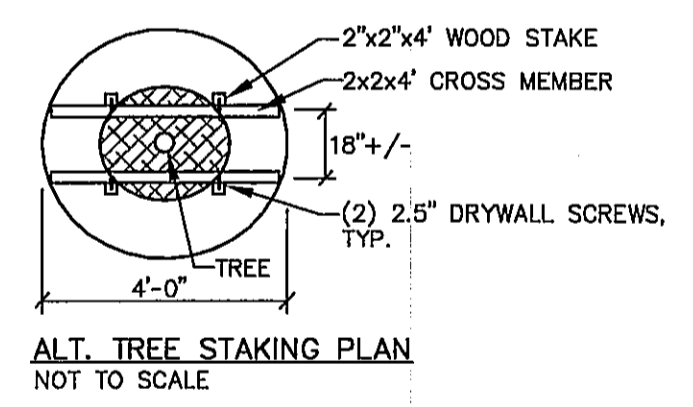
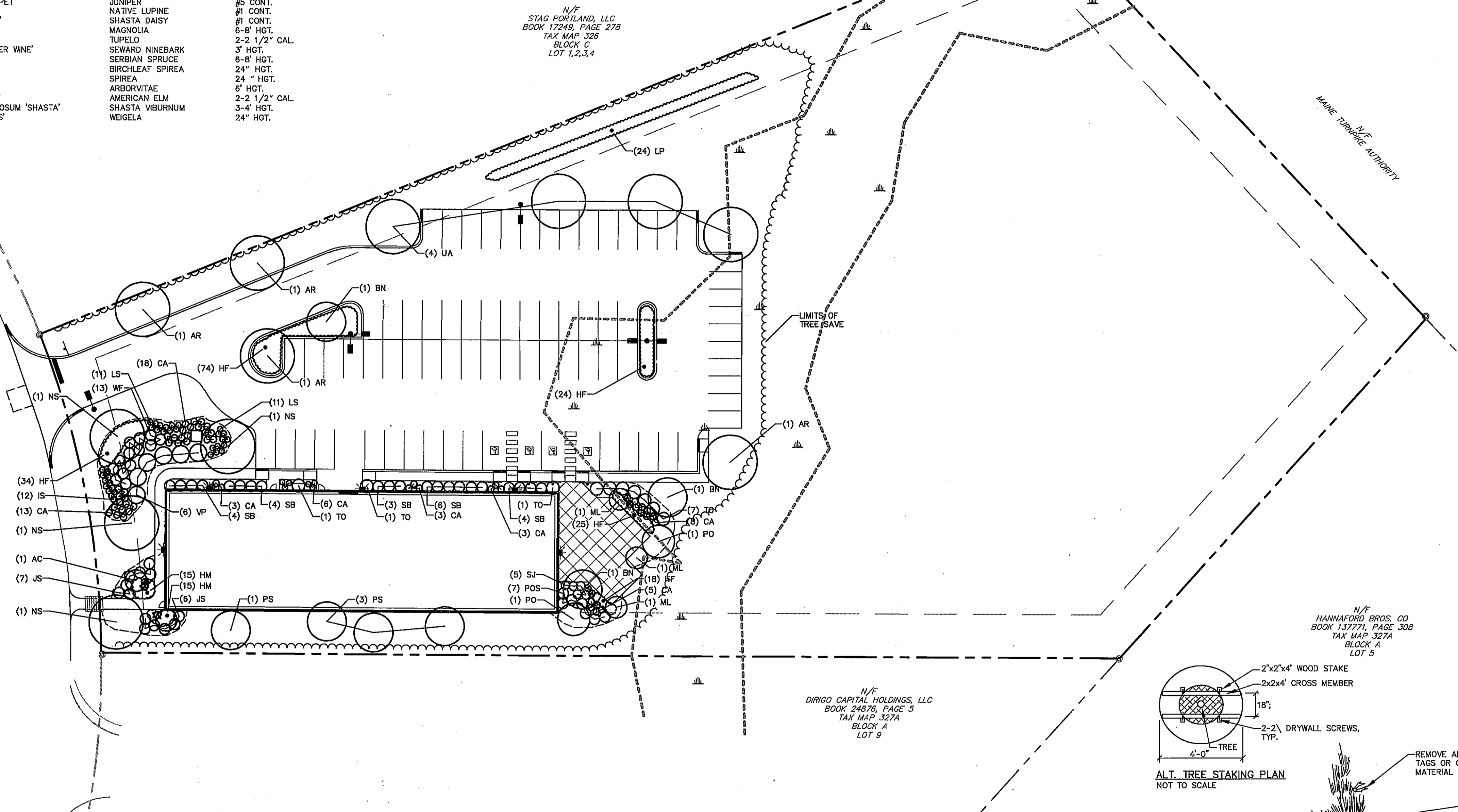


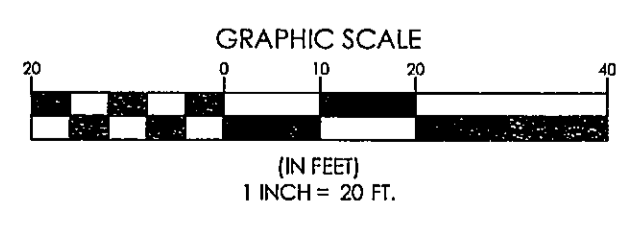
**PLANT LIST**

KEY	BOTANICAL NAME	COMMON NAME	SIZE
AC	AMELANCHIER CANADENSIS	SERVICEBERRY	8-10' HGT.
AR	ACER RUBRUM 'BURGUNDY BELLE'	RED MAPLE	2-2 1/2" CAL.
BN	BETULA NIGRA	RIVER BIRCH	8-10' HGT.
CA	CALAMAGOSTIS ACUTIFLORA 'KARL FORESTER'	FEATHER REED GRASS	#1 CONT.
HF	HEMEROCALLIS FULVA 'STELLA D' ORO'	DAYLILY	#1 CONT.
HM	HAKONECHLOA MACRA 'AUROLEA'	HAKONE GRASS	#1 CONT.
IS	IRIS SIBERICA 'CAESAR'S BROTHER'	SIBERIAN IRIS	#1 CONT.
JS	JUNIPERUS SABINA 'CALGARY CARPET'	JUNIPER	#5 CONT.
LF	LUPINUS POLYPHYLLUS	NATIVE LUPINE	#1 CONT.
LS	LEUCANTHEMUM SUPERBUM 'BECKY'	SHASTA DAISY	#1 CONT.
ML	MAGNOLIA X 'LEONARD MESSEL'	MAGNOLIA	6-8' HGT.
NS	NYSSA SYLVATICA	TUPELO	2-2 1/2" CAL.
POS	PHYSCOCARPUS OPULIFOLIUS 'SUMMER WINE'	SEWARD NINEBARK	3' HGT.
PO	PICEA OMORICA	SERBIAN SPRUCE	6-8' HGT.
SB	SPIREA BETULIFOLIA 'TOR'	BIRCHLEAF SPIREA	24" HGT.
SJ	SPIREA JAPONICA 'MAGIC CARPET'	SPIREA	24" HGT.
TO	THUJA OCCIDENTALIS 'SMARAGO'	ARBORVITAE	6' HGT.
UA	ULMUS AMERICANA 'VALLEY FORGE'	AMERICAN ELM	2-2 1/2" CAL.
VP	VIBURNUM PLICATUM VAR. 'TOMETOSUM 'SHASTA'	SHASTA VIBURNUM	3-4' HGT.
WF	WEIGELA FLORIDA 'WINE AND ROSES'	WEIGELA	24" HGT.



**LEGEND**

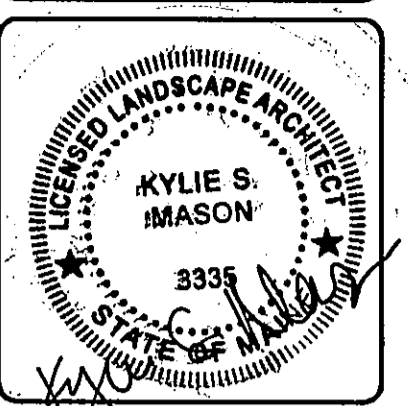
EXISTING	PROPOSED
---	---
---	---
□	SETBACK
⊙	MONUMENT
⊙	IRON PIPE/ROD
⊙	DRILL HOLE
▭	BUILDING
▭	EDGE PAVEMENT
▭	PAVEMENT PAINT
▭	CURB LINE
▭	TREELINE
○	DECIDUOUS TREE
○	CONIFEROUS TREE
---	MULCH LINE
---	SIGN
---	LIGHT POLE



- NOTES:**
- INSTALL STAKES AND GUYS TO TREES IF THE FOLLOWING APPLY:
    - THE TREE IS OF SUBSTANTIAL SIZE.
    - THE PLANTING LOCATION IS EXTREMELY WINDY, AS ON OPEN UNDEVELOPED SITES.
    - THE PLANTING LOCATION IS COMPRISED OF SAND OR OTHER LOOSE TEXTURED SOILS.
    - IF STAKES AND GUYS ARE REQUIRED, REMOVE AFTER ONE YEAR TIME.

- NOTES:**
- INSTALL STAKES AND GUYS TO TREES IF THE FOLLOWING APPLY:
    - THE TREE IS OF SUBSTANTIAL SIZE.
    - THE PLANTING LOCATION IS EXTREMELY WINDY, AS ON OPEN UNDEVELOPED SITES.
    - THE PLANTING LOCATION IS COMPRISED OF SAND OR OTHER LOOSE TEXTURED SOILS.
    - IF STAKES AND GUYS ARE REQUIRED, REMOVE AFTER ONE YEAR TIME.

**DECIDUOUS TREES** UNDER 2" CALIPER OR UNDER 8' IN HEIGHT  
**EVERGREEN TREES** 7'-0" IN HEIGHT & UNDER



DESIGNED	CHECKED
KSM	RLM
D RLM 8-21-15	REVISE PER CONDITIONS OF APPROVAL
C RLM 7-27-15	REVISE LANDSCAPING PER REVIEW COMMENTS
B RLM 6-29-15	SUBMIT FINAL SITE PLAN APPLICATION TO CITY
A RLM 5-21-15	SUBMIT PRELIMINARY SITE PLAN APPLICATION TO CITY
REV: BY: DATE: STATUS:	

THIS PLAN SHALL NOT BE MODIFIED WITHOUT WRITTEN PERMISSION FROM SEBAGO TECHNICS, INC. ANY ALTERATIONS, AUTHORIZED OR OTHERWISE, SHALL BE AT THE USER'S SOLE RISK AND WITHOUT LIABILITY TO SEBAGO TECHNICS, INC.

**SEBAGO TECHNICS**  
 WWW.SEBAGO TECHNICS.COM  
 75 South Roberts Rd., Suite 1A  
 Portland, ME 04108  
 Tel. 207-200-2100

**LANDSCAPE PLAN**  
 OF:  
**LOT 5 INDUSTRIAL WAY**  
 81 INDUSTRIAL WAY  
 PORTLAND, ME 04103  
 FOR:  
**DEERFIELD 91 INDUSTRIAL, LLC.**  
 1 CANAL PLAZA  
 PORTLAND, ME 04101

PROJECT NO. **04479** SCALE **1" = 20'**  
**SHEET 5 OF 7**