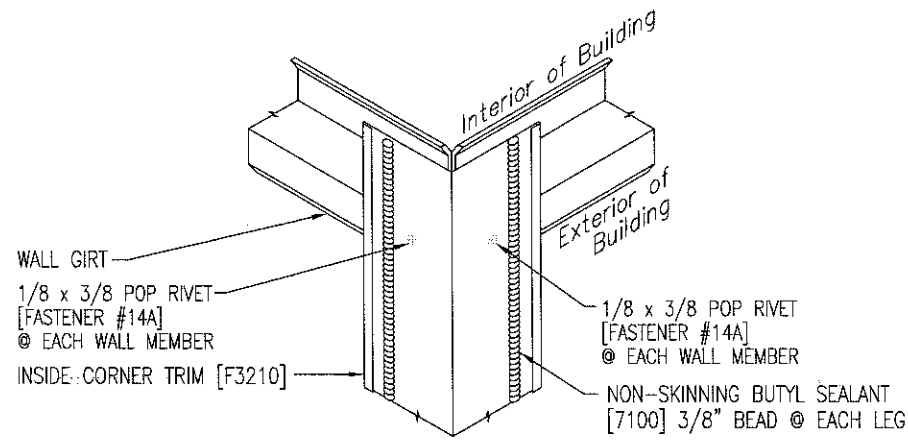
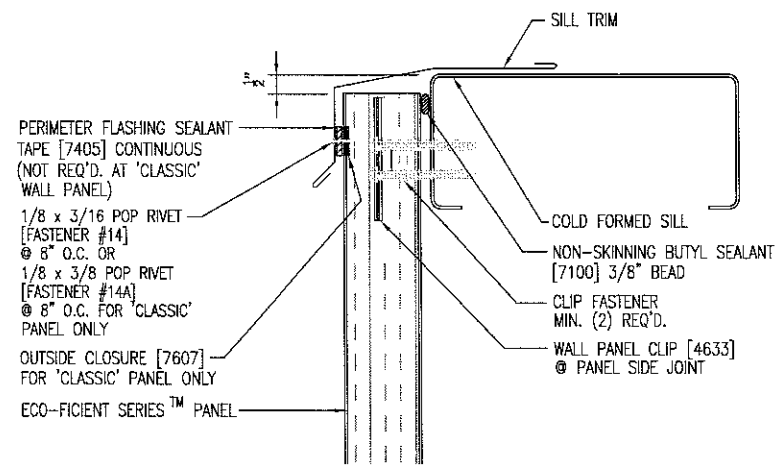


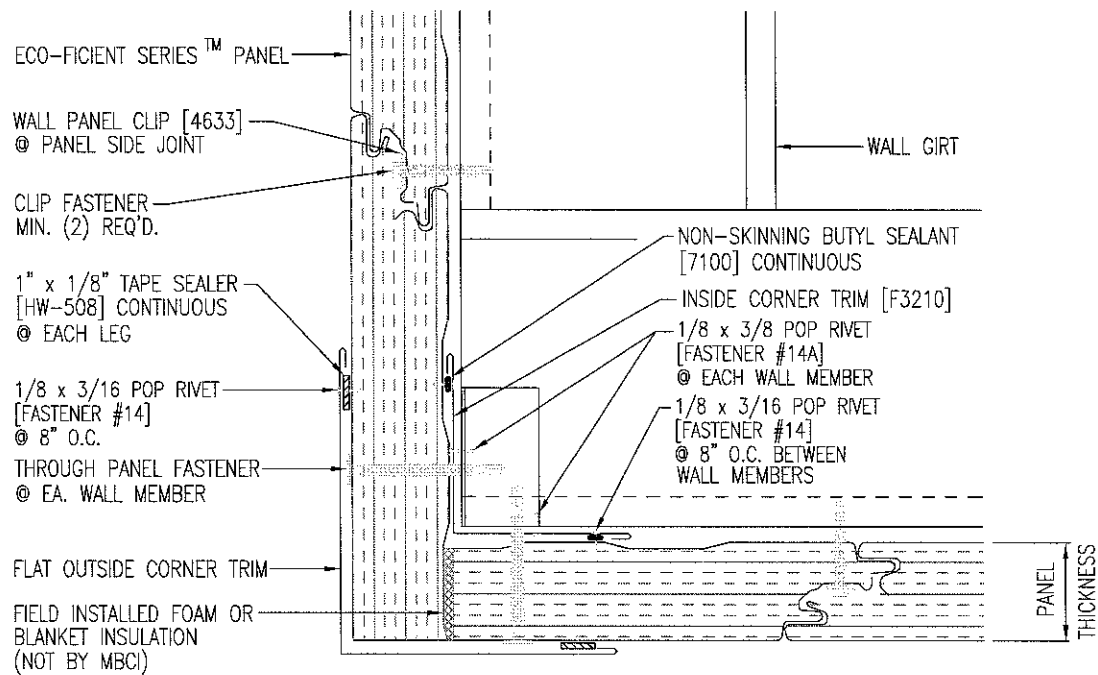
WALL PANEL BASE WITHOUT NOTCH DETAIL



CORNER FRAMING & SEALANT AT INSIDE CORNER TRIM



WALL PANEL SILL WITH FLAT TRIM DETAIL



WALL PANEL OUTSIDE CORNER WITH FLAT TRIM DETAIL

**CORLE**  
 ENGINEERING & CONSTRUCTION  
 404 Sarah Furnace Road - Imbler, PA 16655 (814) 276-9611  
**ALLAGASH BREWING WAREHOUSE**  
 55'-0" x 180'-0" x 17'-0" x 21'-7"  
 DATE: 7/30/15 REVISION: 01  
 ENG: AJR DWN: BJC APPD: AJR

F.O. 19026

DRAWING STATUS		REVISION HISTORY	
REV.	DESCRIPTION	DATE	BY
01	SEE CO-01	8-12-15	

FOR APPROVAL: THESE DRAWINGS, BEING FOR APPROVAL, ARE BY DEFINITION NOT FINAL, AND ARE FOR CONCEPTUAL REPRESENTATION ONLY. THEIR PURPOSE IS TO CONFIRM PROPER INTERPRETATION OF THE PROJECT DOCUMENTS. ONLY DRAWINGS ISSUED "FOR CONSTRUCTION" CAN BE CONSIDERED AS COMPLETE.

FOR PERMIT: THESE DRAWINGS, BEING FOR PERMIT, ARE BY DEFINITION NOT FINAL. ONLY DRAWINGS ISSUED "FOR CONSTRUCTION" CAN BE CONSIDERED AS COMPLETE.

FOR CONSTRUCTION: FINAL DRAWINGS.

STATE OF MARYLAND  
 DENNIS L. ZONTS  
 No. 12885  
 LICENSED PROFESSIONAL ENGINEER  
 AUG 10 2015