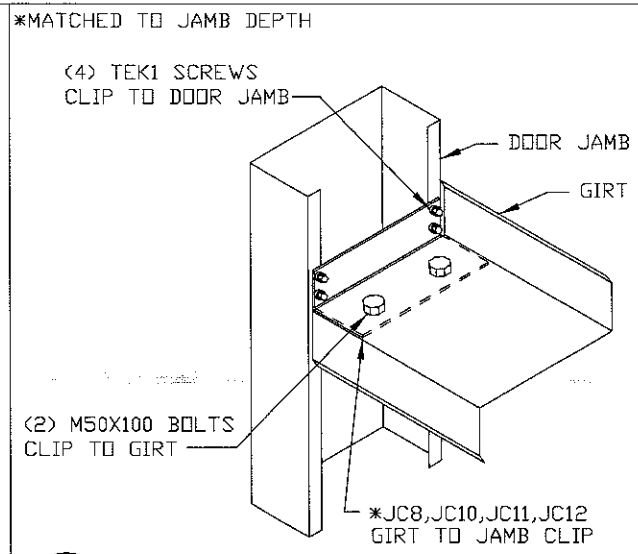
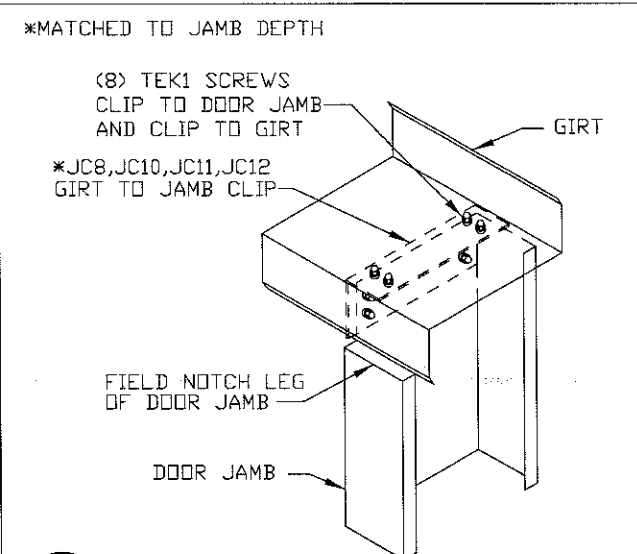


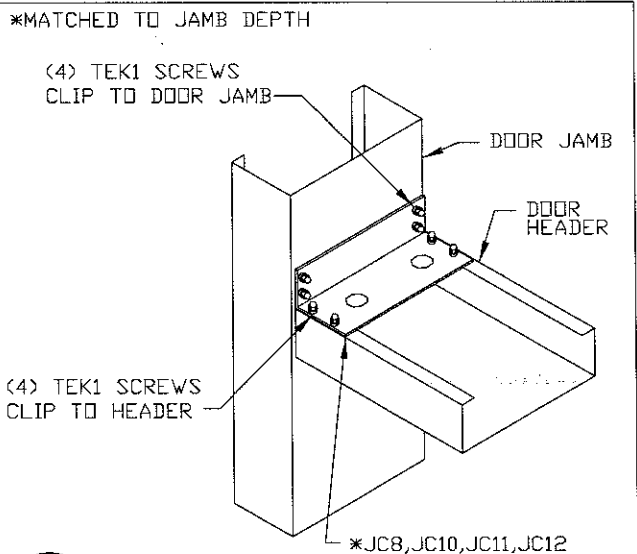
**J8** EAVE STRUT TO RIGID FRAME BYPASS GIRT CONDITION HIGH EAVE



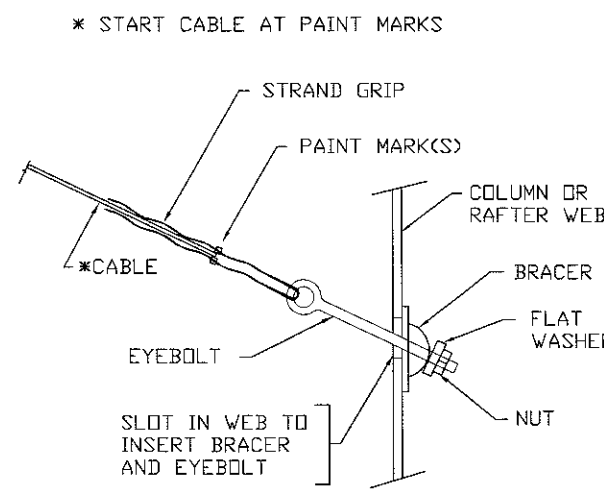
**K2** WALL GIRT TO DOOR JAMB



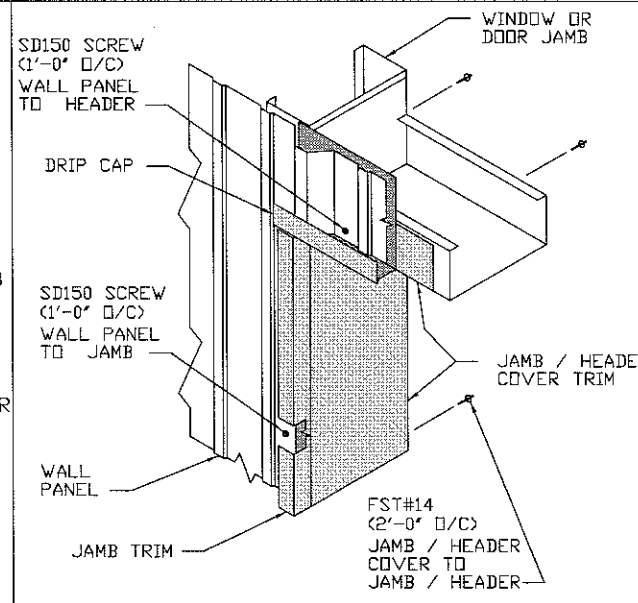
**L9** DOOR JAMB TO WALL GIRT



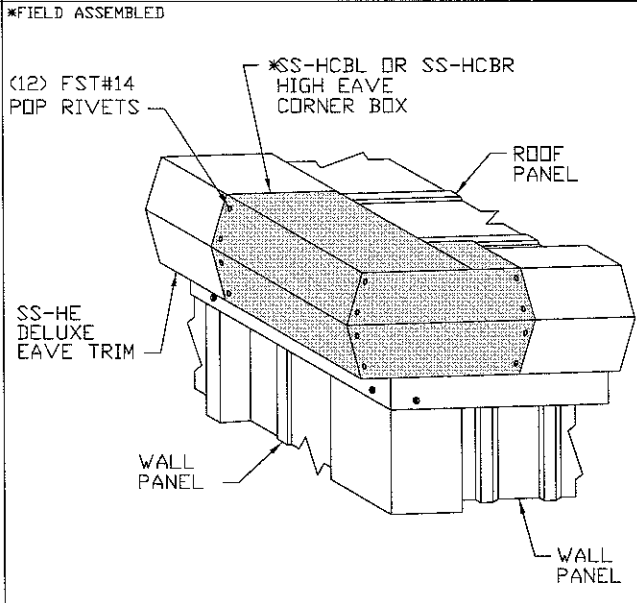
**M1** DOOR HEADER TO DOOR JAMB



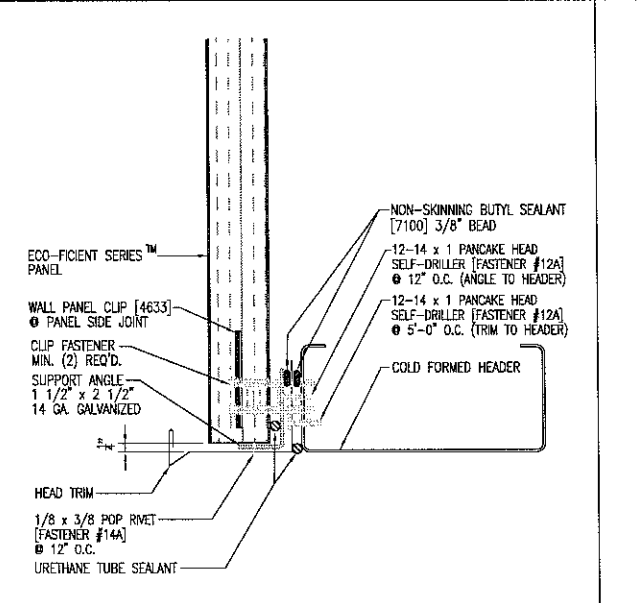
**Q2** CABLE BRACE / EYEBOLT



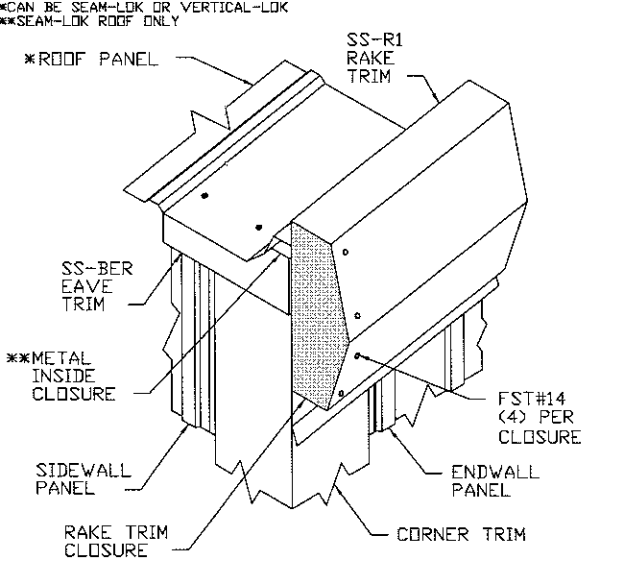
DOOR & WINDOW DELUXE JAMB TRIM



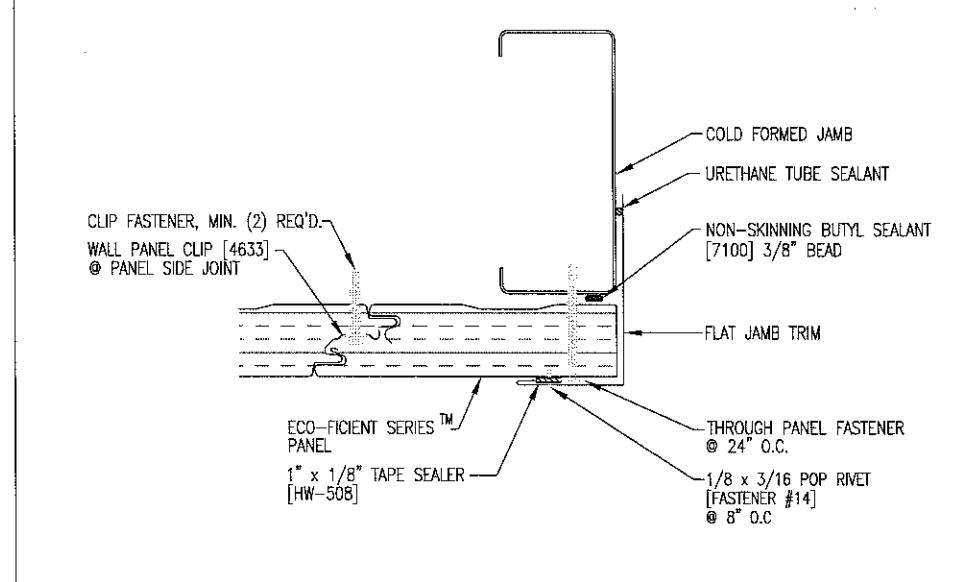
HIGH EAVE CORNER BOX



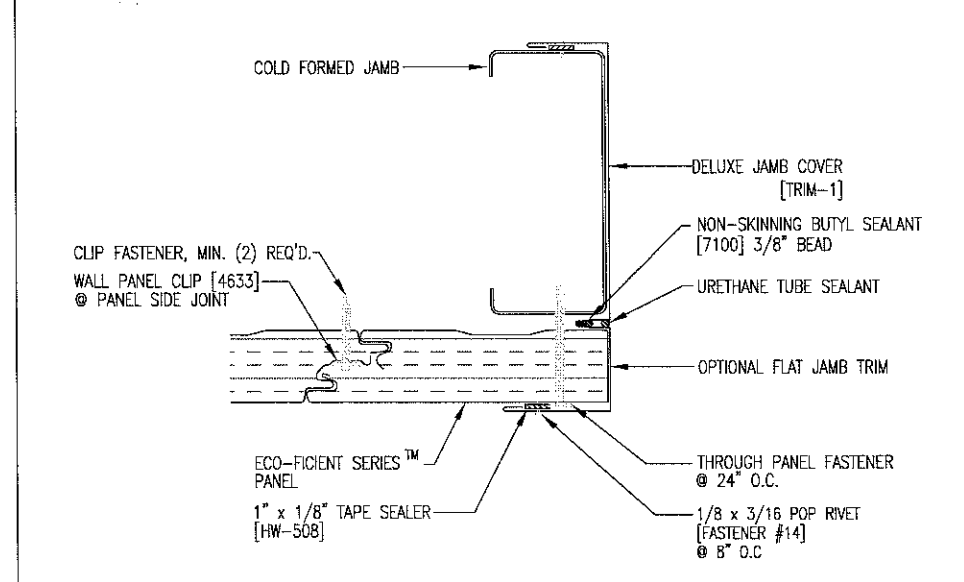
WALL PANEL HEAD DETAIL



RAKE CLOSURE



WALL PANEL JAMB-FLAT TRIM WITHOUT RETURN LEG DETAIL



WALL PANEL JAMB-FLAT TRIM WITH DELUXE JAMB COVER DETAIL

**CORLE**  
 404 Sarah Furnace Road - Imbler, PA 16855 (814) 276-9611  
 ALLAGASH BREWING WAREHOUSE  
 55'-0" x 180'-0" x 17'-0" x 21'-7"  
 DATE: 7/30/15 REVISION: 01  
 ENG: AJR DWN: BJC APPD: AJR

F.O. 19026

REVISION HISTORY	
REV.	DESCRIPTION
01	SEE CO-01

DATE: 8-12-15

FOR APPROVAL: THESE DRAWINGS, BEING FOR APPROVAL, ARE BY DEFINITION NOT FINAL, AND ARE FOR CONCEPTUAL REPRESENTATION ONLY. THEIR PURPOSE IS TO CONFIRM PROPER INTERPRETATION OF THE PROJECT DOCUMENTS. ONLY DRAWINGS ISSUED "FOR CONSTRUCTION" CAN BE CONSIDERED AS COMPLETE.

FOR PERMIT: THESE DRAWINGS, BEING FOR PERMIT, ARE BY DEFINITION NOT FINAL. ONLY DRAWINGS ISSUED "FOR CONSTRUCTION" CAN BE CONSIDERED AS COMPLETE.

FOR CONSTRUCTION: FINAL DRAWINGS.

ALLAGASH BREWING WAREHOUSE

STATE OF MAINE  
 DENNIS L. ZONTS  
 No. 12885  
 LICENSED PROFESSIONAL ENGINEER  
 AUG 1 2015