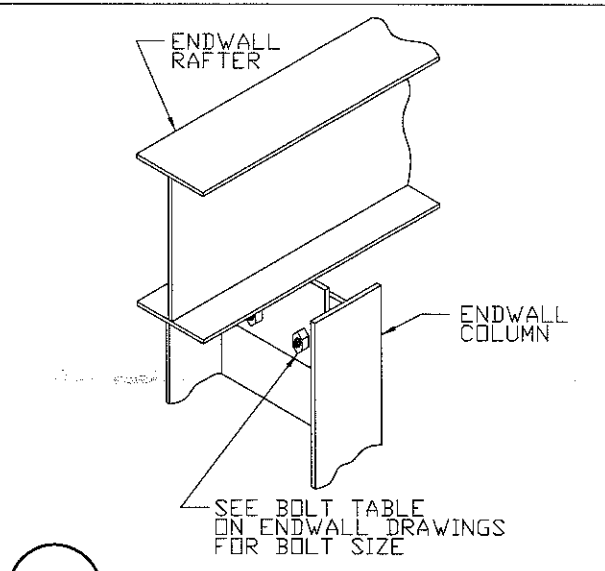
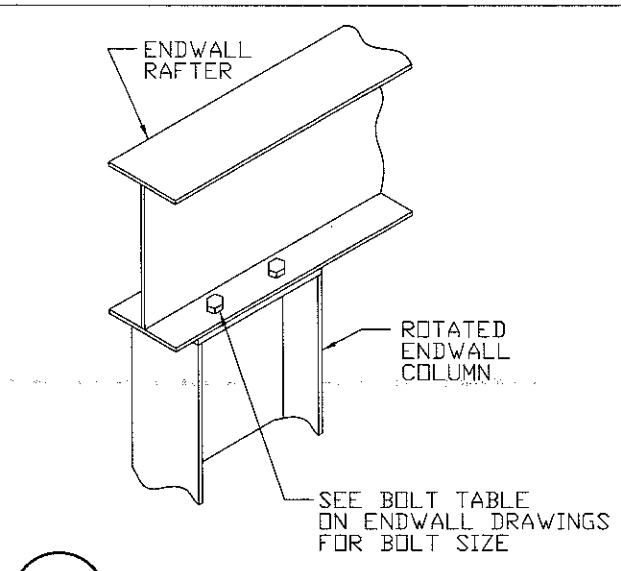


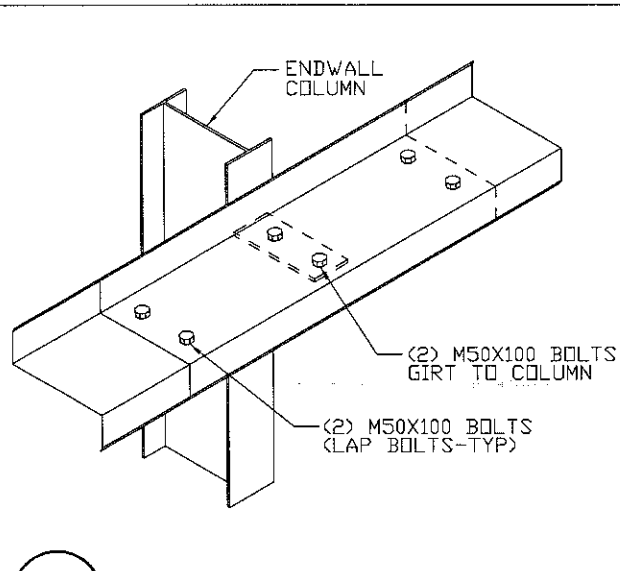
A7 PURLIN TO ENDWALL RAFTER CONNECTION



B6 ENDWALL COLUMN TO RAFTER CONNECTION

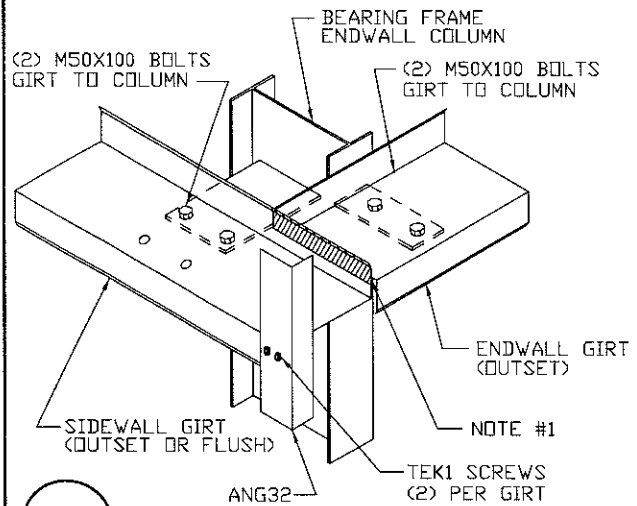


B16 ENDWALL COLUMN TO RAFTER CONNECTION



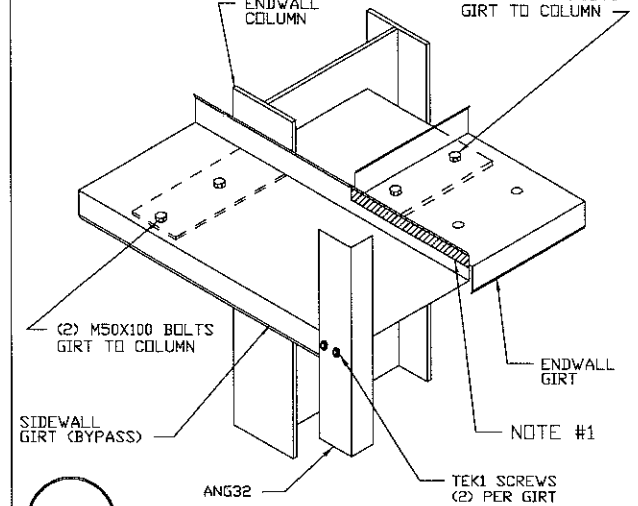
C12 GIRT TO ENDWALL COLUMN

NOTE #1: FIELD NOTCHING OF GIRTS WILL BE REQUIRED WHEN GIRT ELEVATIONS ARE NOT THE SAME FROM WALL TO WALL.



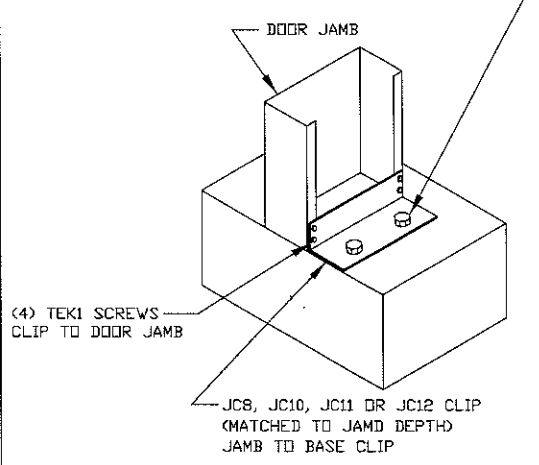
D12 BEARING FRAME CORNER COLUMN TO BYPASS ENDWALL GIRT

NOTE #1: FIELD NOTCHING OF GIRTS WILL BE REQUIRED WHEN GIRT ELEVATIONS ARE NOT THE SAME FROM WALL TO WALL.

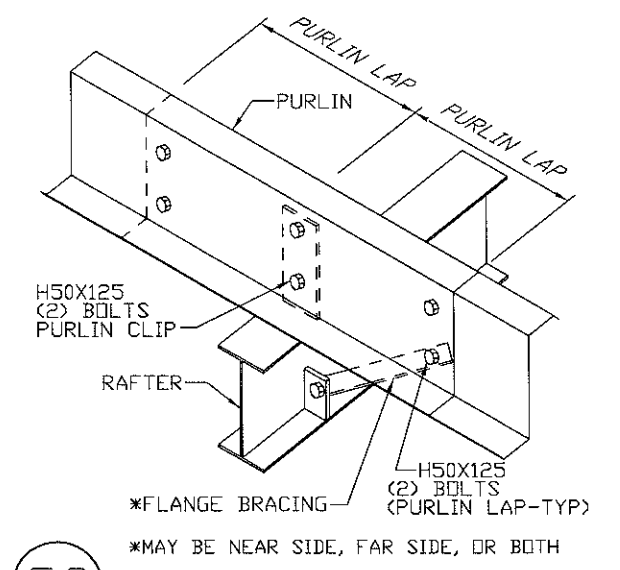


D18 ROTATED ENDWALL COLUMN TO BYPASS SIDEWALL GIRT

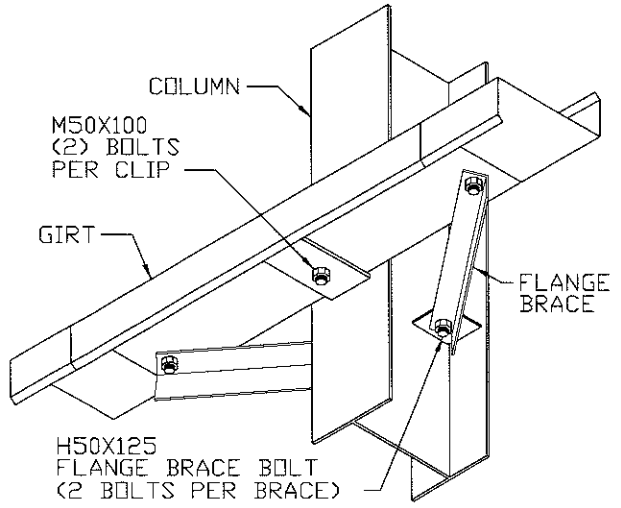
CONNECTION TO MASONRY NOT BY CORLE BUILDING SYSTEMS



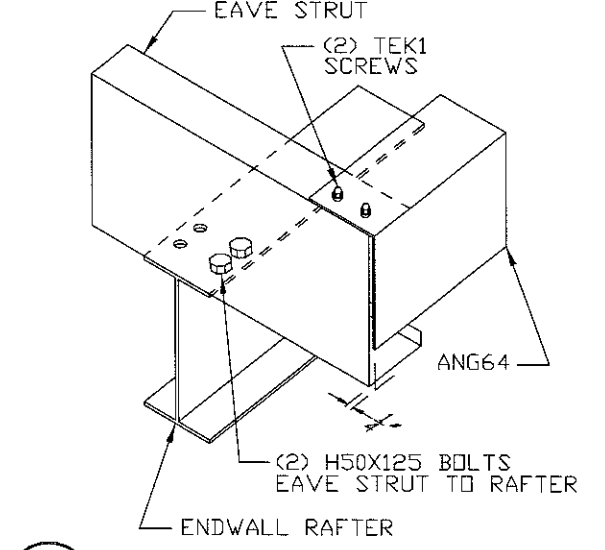
E6 DOOR JAMB TO FOUNDATION



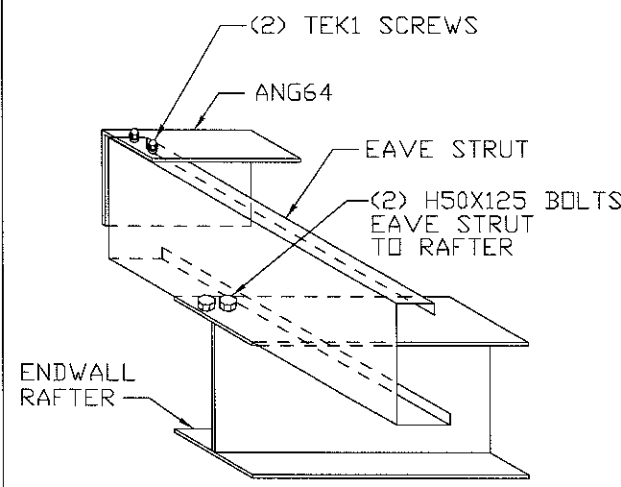
G2 ROOF PURLIN TO INTERIOR FRAME RAFTER



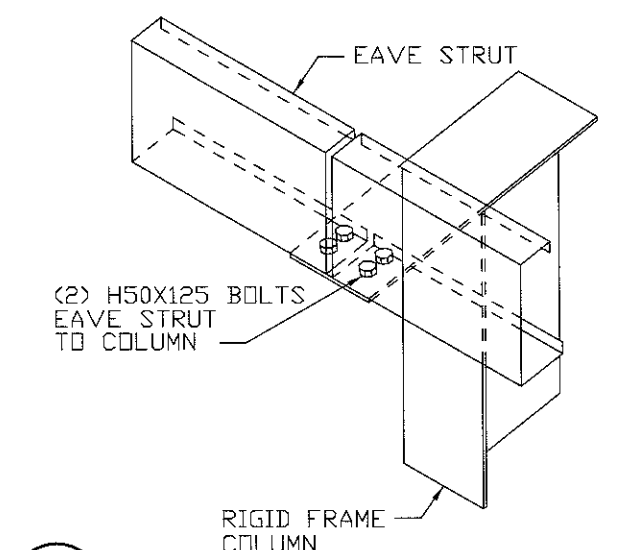
H2 GIRT TO COLUMN - BYPASS GIRTS



I8 EAVE STRUT TO ENDWALL RAFTER LOW EAVE



I17 EAVE STRUT TO ENDWALL RAFTER HIGH EAVE



J2 EAVE STRUT TO RIGID FRAME BYPASS GIRT CONDITION

CORLE
 404 Sarah Furnace Road - Imier, PA 16655 (814) 276-9611
ALLAGASH BREWING WAREHOUSE
 55'-0" x 180'-0" x 17'-0" x 21'-7"
 DATE: 7/30/15 REVISION: 01
 ENG: AJR DWN: BJC APPD: AJR

F.O. 19026

REV.	DATE	DESCRIPTION
01	8-12-15	SEE CO-01

DRAWING STATUS

FOR APPROVAL: THESE DRAWINGS, BEING FOR APPROVAL, ARE BY DEFINITION NOT FINAL, AND ARE FOR CONCEPTUAL REPRESENTATION ONLY. THEIR PURPOSE IS TO CONFIRM PROPER INTERPRETATION OF THE PROJECT DOCUMENTS. ONLY DRAWINGS ISSUED "FOR CONSTRUCTION" CAN BE CONSIDERED AS COMPLETE.

FOR PERMIT: THESE DRAWINGS, BEING FOR PERMIT, ARE BY DEFINITION NOT FINAL, ONLY DRAWINGS ISSUED "FOR CONSTRUCTION" CAN BE CONSIDERED AS COMPLETE.

FOR CONSTRUCTION: FINAL DRAWINGS.

STATE OF MAINE
 DENNIS L. ZONTS
 No. 12885
 LICENSED PROFESSIONAL ENGINEER
 AUG 14 2015