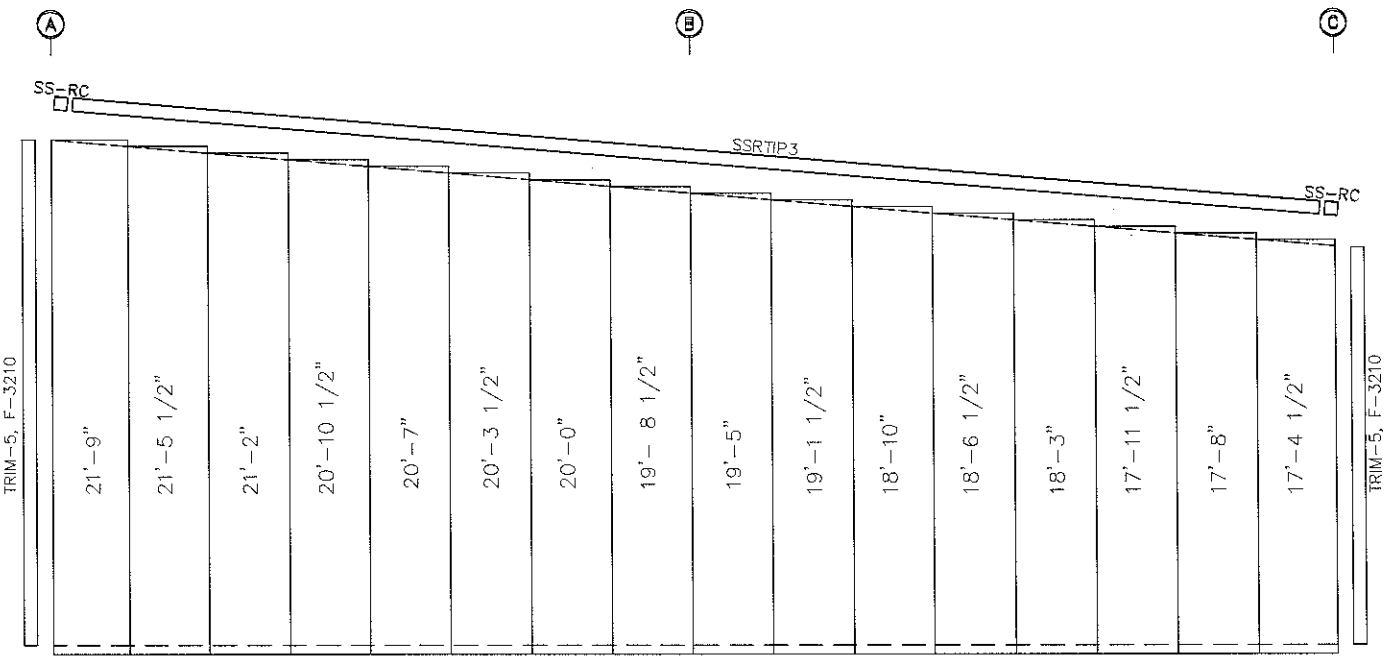


ENDWALL FRAMING: FRAME LINE 8

FIELD CUT PANEL (14) PANELS AT 42" = 49'-0" FIELD CUT PANEL

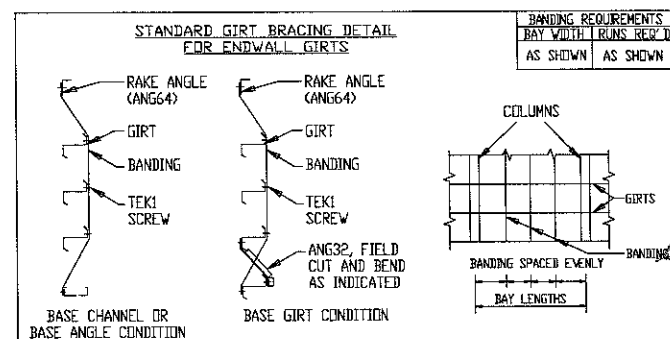
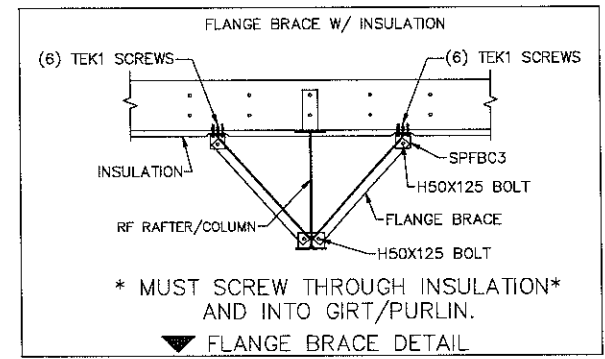


ENDWALL SHEETING & TRIM: FRAME LINE 8
PANELS: 3" ECO-FICIENT SUMMIT 24Ga EXTERIOR & 26Ga INTERIOR - HAWAIIAN BLUE/IGLOO WHITE

BOLT TABLE				
FRAME LINE 8				
LOCATION	QUAN	TYPE	DIA	LENGTH
ER-3/ER-4	8	A325	3/4"	2"
Columns/Raf	2	A325	3/4"	1 3/4"
EC-5/ ER-3	2	A325	1"	2"

MEMBER TABLE			
FRAME LINE 8			
QUAN	MARK	PART	LENGTH
1	EC-4	W10X12	19'-7 5/16"
1	EC-5	W10X12	17'-5"
1	EC-6	W10X12	15'-2 11/16"
1	ER-3	W10X22	29'-6 3/16"
1	ER-4	W10X22	25'-8 1/8"
1	G-7	8X25Z13	28'-11 1/2"
1	G-8	8X25Z13	29'-7 1/2"
1	G-9	8X25Z13	28'-11 1/2"
1	G-10	8X25Z13	29'-7 1/2"
1	CB-1	CABLE250	29'-0 7/8"
1	CB-2	CABLE250	30'-3 3/16"

FLANGE BRACE TABLE		
FRAME LINE 8		
VID	MARK	LENGTH
1	FB2A	1'-5 3/8"
2	FB1A	1'-3 5/8"



TRIM COLORS	
EAVE TRIM= Ash Grey	CORNER TRIM= Ash Grey
BASE TRIM= Light Stone	GUTTER =
DOOR TRIM= Ash Grey	DOWNSPOUTS =
RAKE TRIM= Ash Grey	
*LINER TRIM= Liner panel color	
*SOFFIT TRIM= Soffit panel color	
* ONLY APPLICABLE IF LINER TRIM OR SOFFIT PANEL IS INDICATED ON BUILDING ORDER.	

GENERAL NOTES:
1. Use TEK5WW screws in place of SD150 panel screws at all 10 gage members.

CORLE
404 Sarah Furnace Road - Imbler, PA 16665 (814) 276 - 9611
ALLAGASH BREWING WAREHOUSE
55'-0" x 180'-0" x 17'-0" x 21'-7"
DATE: 7/30/15 REVISION: 01
ENG: AJR DWN: BJC APPD: AJR

ALLAGASH BREWING WAREHOUSE
F.O. 19026
REVISION HISTORY
DATE: 8-12-15
DESCRIPTION: SEE CO-01
REV: 01
DRAWING STATUS
FOR APPROVAL: THESE DRAWINGS, BEING FOR APPROVAL, ARE BY DEFINITION NOT FINAL, AND ARE FOR CONCEPTUAL REPRESENTATION ONLY. THEIR PURPOSE IS TO CONFIRM PROPER INTERPRETATION OF THE PROJECT DOCUMENTS. ONLY DRAWINGS ISSUED "FOR CONSTRUCTION" CAN BE CONSIDERED AS COMPLETE.
FOR PERMIT: THESE DRAWINGS, BEING FOR PERMIT, ARE BY DEFINITION NOT FINAL. ONLY DRAWINGS ISSUED "FOR CONSTRUCTION" CAN BE CONSIDERED AS COMPLETE.
FOR CONSTRUCTION: FINAL DRAWINGS.

STATE OF MAINE
DENNIS L. ZONTS
No. 12885
LICENSED PROFESSIONAL ENGINEER
AUG 11 2015
PAGE 13 OF 16