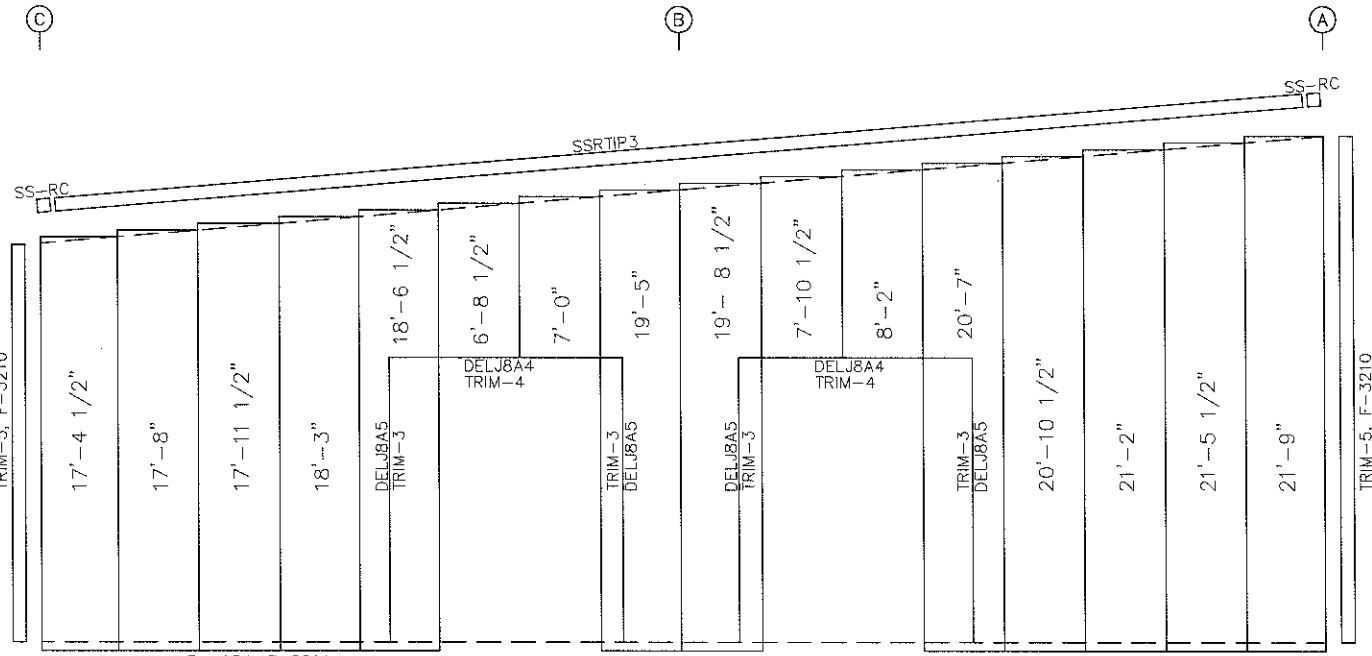
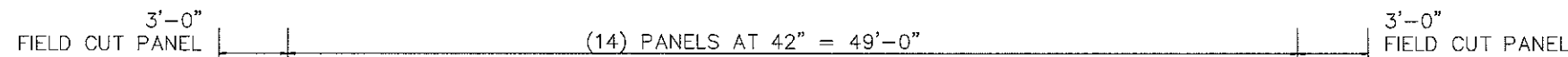


ENDWALL FRAMING: FRAME LINE 1



ENDWALL SHEETING & TRIM: FRAME LINE 1
 PANELS: 3" ECO-EFICIENT SUMMIT 24Ga EXTERIOR & 26Ga INTERIOR - HAWAIIAN BLUE/IGLOO WHITE

BOLT TABLE
FRAME LINE 1

LOCATION	QUAN	TYPE	DIA	LENGTH
ER-1/ER-2	8	A325	3/4"	2"
Cor_Column/Raf	4	A325	1/2"	1 1/4"
EC-2/ER-2	2	A325	1"	2"
Jamb	4	A325	1/2"	1 1/4"

MEMBER TABLE
FRAME LINE 1

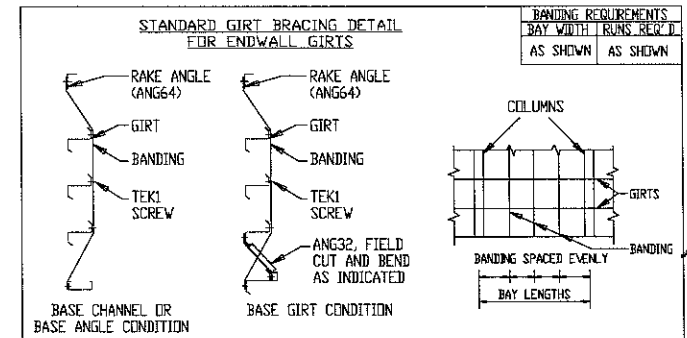
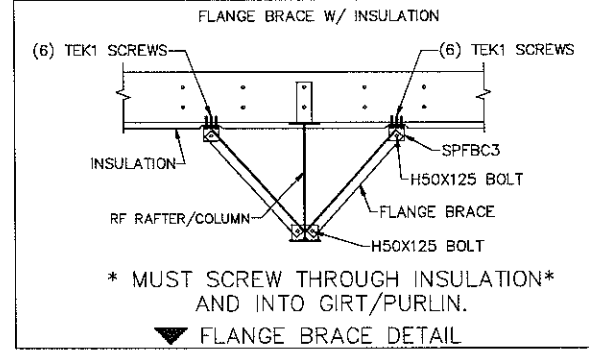
QUAN	MARK	PART	LENGTH
1	EC-1	W8X10	15'-3 9/16"
1	EC-2	W8X24	17'-5"
1	EC-3	W8X10	19'-8 9/16"
1	ER-1	W10X22	25'-8 1/8"
1	ER-2	W10X22	29'-6 3/16"
1	DJ-1	8X35C13	17'-0 7/8"
1	DJ-2	8X35C16	17'-10 5/8"
1	DJ-3	8X35C16	18'-3 7/8"
1	DJ-4	8X35C13	19'-1 5/8"
2	DH-1	8X35C16	10'-0"
1	G-1	8X25Z14	14'-0"
1	G-2	8X25Z14	14'-8"
2	G-3	8X25Z14	9'-11 1/2"
2	G-4	8X25Z14	4'-4 1/2"
1	G-5	8X25Z14	14'-0"
1	G-6	8X25Z14	14'-8"

CONNECTION PLATES
FRAME LINE 1

ID	QUAN	MARK/PART
1	20	JC8
3	4	EJB0804

FLANGE BRACE TABLE
FRAME LINE 1

ID	MARK	LENGTH
1	FB2A	1'-5 3/8"




TRIM COLORS

EAVE TRIM= Ash Grey	CORNER TRIM= Ash Grey
BASE TRIM= Light Stone	GUTTER =
DOOR TRIM= Ash Grey	DOWNSPOUTS =
RAKE TRIM= Ash Grey	
*LINER TRIM= Liner panel color	
*SOFFIT TRIM= Soffit panel color	
* ONLY APPLICABLE IF LINER TRIM OR SOFFIT PANEL IS INDICATED ON BUILDING ORDER.	

GENERAL NOTES:

1. Use TEK5WW screws in place of SD150 panel screws at all 10 gage members.



404 Sarah Furnace Road - Imier, PA 18655 (814) 278 - 9611

ALLAGASH BREWING WAREHOUSE

55'-0" x 180'-0" x 17'-0" x 21'-7"

DATE: 7/30/15 REVISION: 01 ENG: AJR DWN: BJC APPD: AJR

F.O. 19026

REV	DESCRIPTION	DATE
01	SEE CO-01	8-2-15

DRAWING STATUS

FOR APPROVAL: THESE DRAWINGS, BEING FOR APPROVAL, ARE BY DEFINITION NOT FINAL, AND ARE FOR CONCEPTUAL REPRESENTATION ONLY. THEIR PURPOSE IS TO CONFIRM PROPER INTERPRETATION OF THE PROJECT DOCUMENTS. ONLY DRAWINGS ISSUED "FOR CONSTRUCTION" CAN BE CONSIDERED AS COMPLETE.

FOR PERMIT: THESE DRAWINGS, BEING FOR PERMIT, ARE BY DEFINITION NOT FINAL. ONLY DRAWINGS ISSUED "FOR CONSTRUCTION" CAN BE CONSIDERED AS COMPLETE.

FOR CONSTRUCTION: FINAL DRAWINGS.

ALLAGASH BREWING WAREHOUSE

STATE OF MAINE

DENNIS L. ZONTS

No. 12885

LICENSED PROFESSIONAL ENGINEER

AUG 11 2015