

MEMBER TABLE
FRAME LINE C

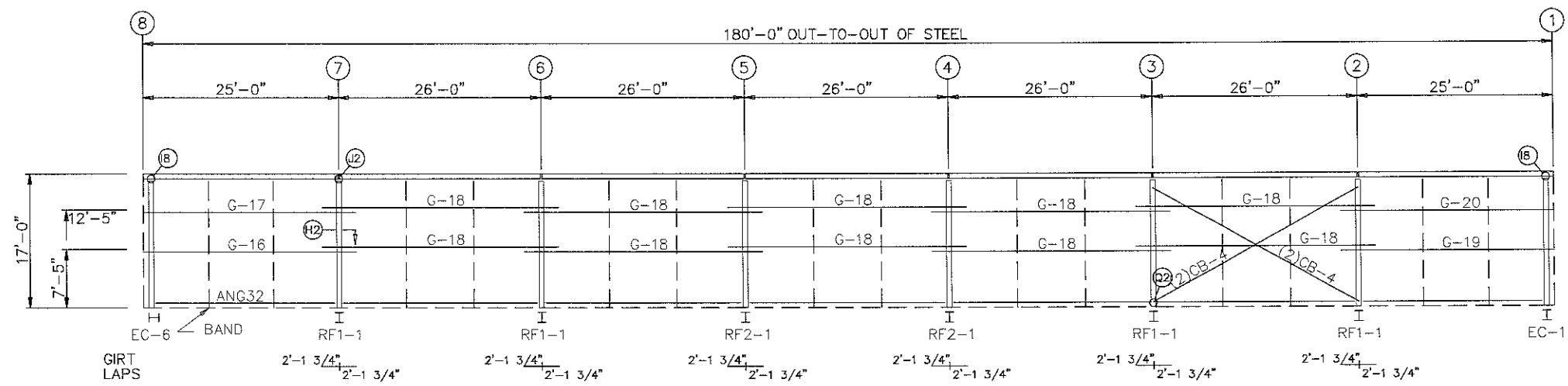
QUAN	MARK	PART	LENGTH
1	G-16	8X25Z13	27'-1 1/2"
1	G-17	8X25Z14	27'-1 1/2"
10	G-18	8X25Z14	30'-3 1/2"
1	G-19	8X25Z13	27'-1 1/2"
1	G-20	8X25Z14	27'-1 1/2"
4	CB-4	CABLE500	27'-2 3/4"

CORLE
404 Sarah Furnace Road - Imbler, PA 16655 (814) 276-9611

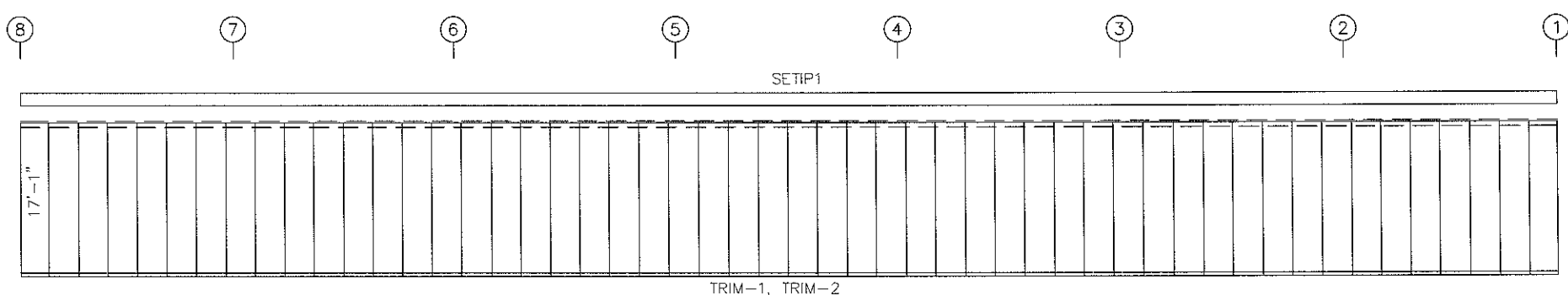
ALLAGASH BREWING WAREHOUSE
55'-0" x 180'-0" x 17'-0" x 21'-7"

DATE: 7/30/15
REVISION: 01
ENG: AJR
DWN: BJC
APPD: AJR

F.O. 19026



SIDEWALL FRAMING: FRAME LINE C



SIDEWALL SHEETING & TRIM: FRAME LINE C
PANELS: 3" ECO-FICIENT SUMMIT 24Ga EXTERIOR & 26Ga INTERIOR - LIGHT STONE/IGLOO WHITE

TRIM COLORS

EAVE TRIM= Ash Grey	CORNER TRIM = Ash Grey
BASE TRIM= Light Stone	GUTTER =
DOOR TRIM= Ash Grey	DOWNSPOUTS =
RAKE TRIM= Ash Grey	
*LINER TRIM= Liner panel color	
*SOFFIT TRIM= Soffit panel color	
* ONLY APPLICABLE IF LINER TRIM OR SOFFIT PANEL IS INDICATED ON BUILDING ORDER.	

GENERAL NOTES:
1. Use TEK5WW screws in place of SD150 panel screws at all 10 gage members.

ALLAGASH BREWING WAREHOUSE

REVISION HISTORY

REV.	DESCRIPTION	DATE
01	SEE CO-01	8-12-15

DRAWING STATUS

FOR APPROVAL: THESE DRAWINGS, BEING FOR APPROVAL, ARE BY DEFINITION NOT FINAL, AND ARE FOR CONCEPTUAL REPRESENTATION ONLY. THEIR PURPOSE IS TO CONFIRM PROPER INTERPRETATION OF THE PROJECT DOCUMENTS. ONLY DRAWINGS ISSUED "FOR CONSTRUCTION" CAN BE CONSIDERED AS COMPLETE.

FOR PERMIT: THESE DRAWINGS, BEING FOR PERMIT, ARE BY DEFINITION NOT FINAL. ONLY DRAWINGS ISSUED "FOR CONSTRUCTION" CAN BE CONSIDERED AS COMPLETE.

FOR CONSTRUCTION: FINAL DRAWINGS.

