

MEMBER TABLE
 FRAME LINE A

QUAN	MARK	PART	LENGTH
2	DJ-5	8X35C16	14'-4 3/4"
1	DH-1	8X35C16	10'-0"
2	JB-1	8X35C16	6'-1 3/4"
2	G-11	8X25Z13	28'-1 1/2"
7	G-12	8X25Z14	32'-3 1/2"
1	G-13	8X25Z13	34'-10"
1	G-14	8X25Z14	12'-10"
2	G-15	8X25Z13	28'-1 1/2"
1	G-21	8X25Z13	32'-3 1/2"
4	CB-3	CABLE500	29'-7 3/8"

CONNECTION PLATES
 FRAME LINE A

ID	QUAN	MARK/PART
1	10	JC8
2	2	JC

CORLE ENGINEERING
 404 Sarah Furnace Road - Imier, PA 16665 (814) 276-9611

ALLAGASH BREWING WAREHOUSE
 55'-0" x 180'-0" x 17'-0" x 21'-7"

DATE: 7/30/15
 REVISION: 01
 ENG: AJR
 DWN: BJC
 APPD: AJR

F.O. 19026

ALLAGASH BREWING WAREHOUSE

REVISION HISTORY

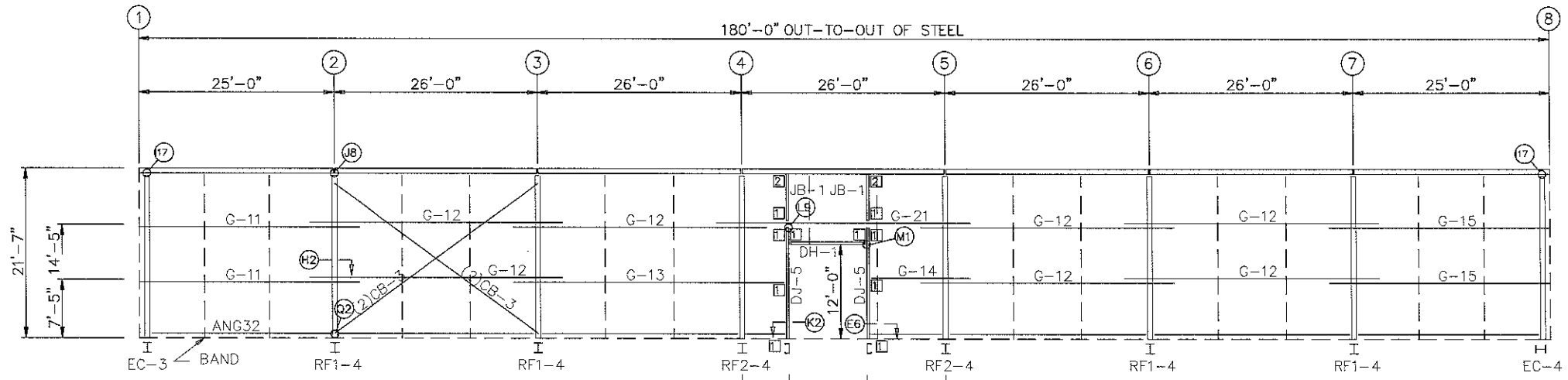
REV.	DESCRIPTION	DATE
01	SEE CO-01	8-12-15

DRAWING STATUS

FOR APPROVAL: THESE DRAWINGS, BEING FOR APPROVAL, ARE BY DEFINITION NOT FINAL, AND ARE FOR CONCEPTUAL REPRESENTATION ONLY. THEIR PURPOSE IS TO CONFIRM PROPER INTERPRETATION OF THE PROJECT DOCUMENTS. ONLY DRAWINGS ISSUED "FOR CONSTRUCTION" CAN BE CONSIDERED AS COMPLETE.

FOR PERMIT: THESE DRAWINGS, BEING FOR PERMIT, ARE BY DEFINITION NOT FINAL. ONLY DRAWINGS ISSUED "FOR CONSTRUCTION" CAN BE CONSIDERED AS COMPLETE.

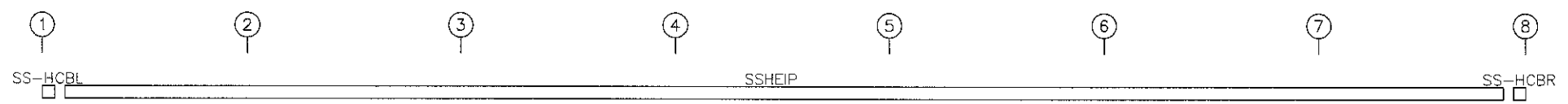
FOR CONSTRUCTION: FINAL DRAWINGS.



GIRT LAPS: 3'-1 3/4" / 3'-1 3/4"

SIDEWALL FRAMING: FRAME LINE A

FIELD CUT PANEL: 2'-9" (50) PANELS AT 42" = 175'-0" 2'-9" FIELD CUT PANEL



SIDEWALL SHEETING & TRIM: FRAME LINE A
 PANELS: 3" ECO-FICIENT SUMMIT 24G_a EXTERIOR & 26G_a INTERIOR - LIGHT STONE/IGLOO WHITE

DELJ8A4	TRIM-4
DELJ8A5	TRIM-3

TRIM COLORS

EAVE TRIM= Ash Grey	CORNER TRIM= Ash Grey
BASE TRIM= Light Stone	GUTTER =
DOOR TRIM= Ash Grey	DOWNSPOUTS =
RAKE TRIM= Ash Grey	
*LINER TRIM= Liner panel color	
*SOFFIT TRIM= Soffit panel color	
* ONLY APPLICABLE IF LINER TRIM OR SOFFIT PANEL IS INDICATED IN BUILDING ORDER.	

GENERAL NOTES:
 1. Use TEK5WW screws in place of SD150 panel screws at all 10 gage members.

