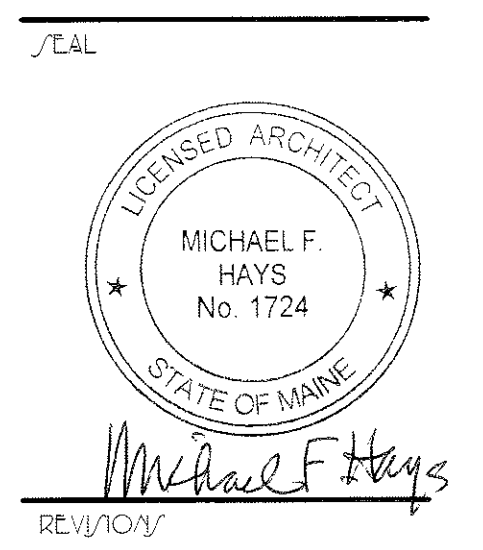


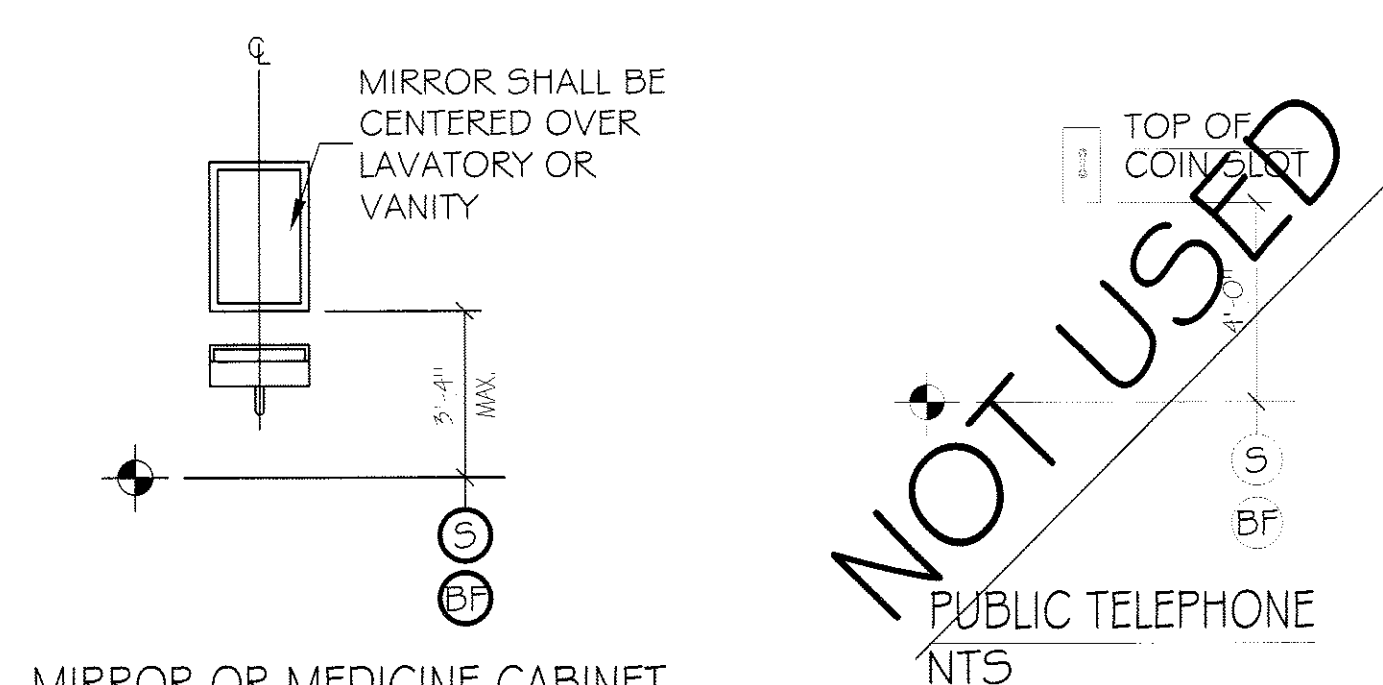
GRANT HAYS  
ASSOCIATES

ARCHITECTURE & INTERIOR DESIGN  
P.O. BOX 6179 FALMOUTH MAINE 04105  
207.871.5900 www.granthays.com

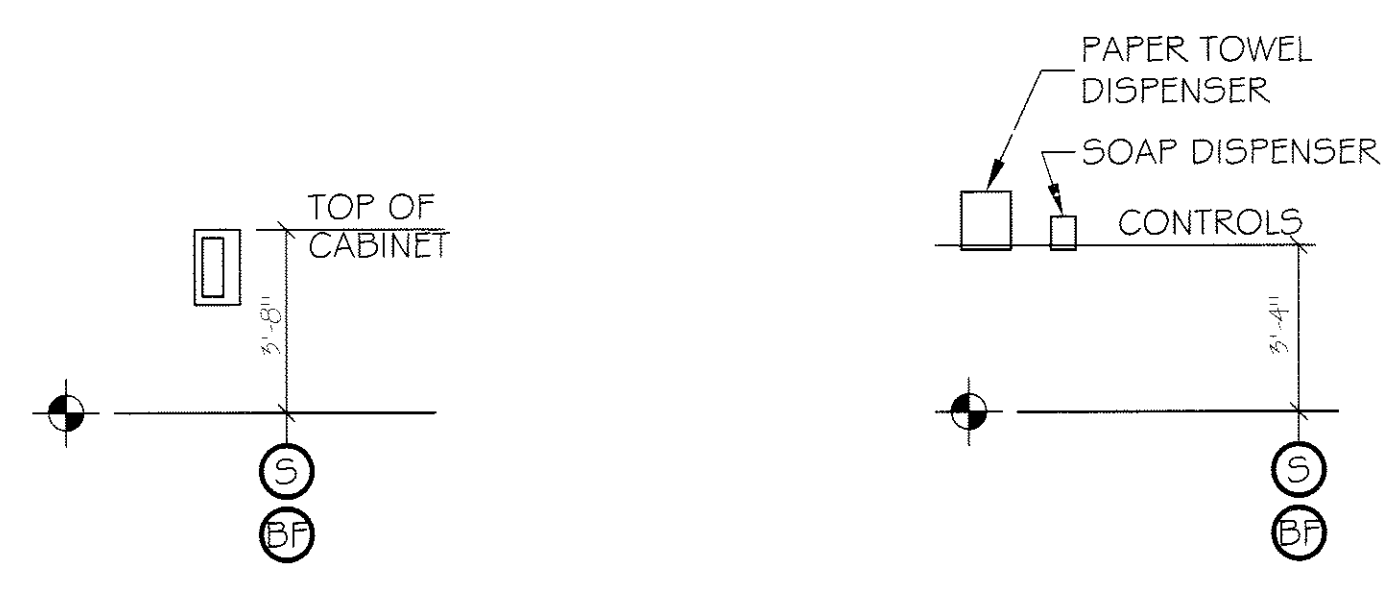


DRAWING NAME  
TEANANT IMPROVEMENTS  
DEERFIELD 91 INDUSTRIAL LLC  
PORTLAND, MAINE  
81 INDUSTRIAL WAY

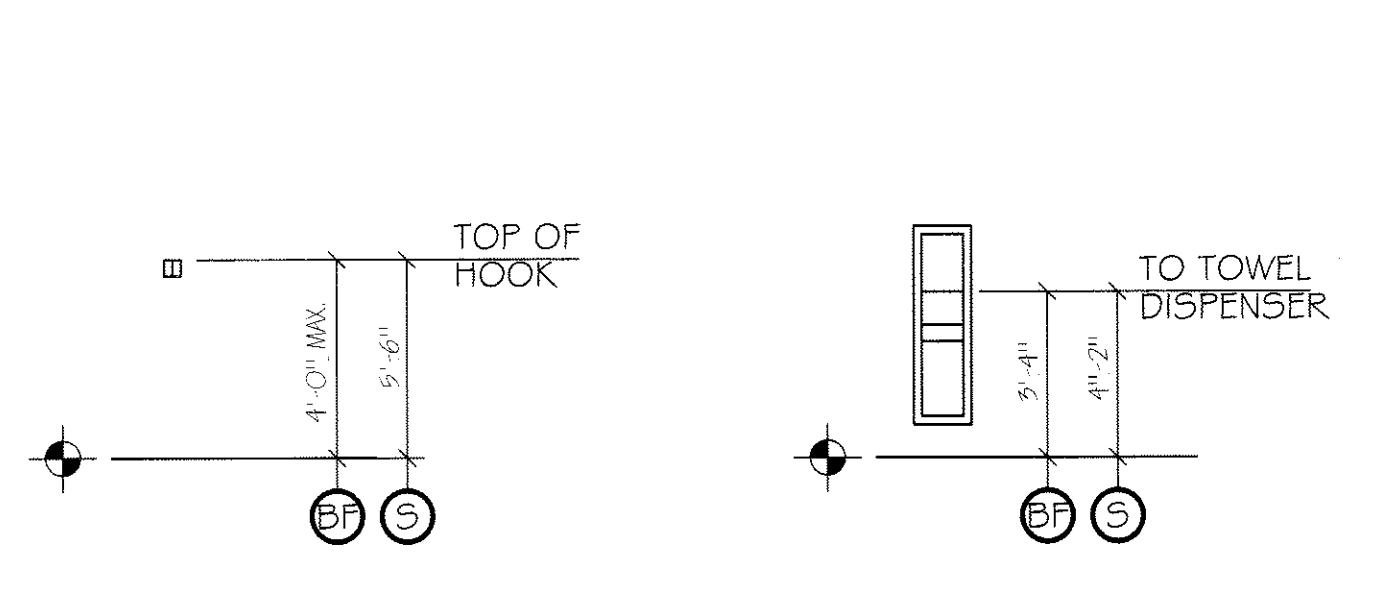
JHELT  
& NOTES  
DETAILS  
ACCESSIBILITY



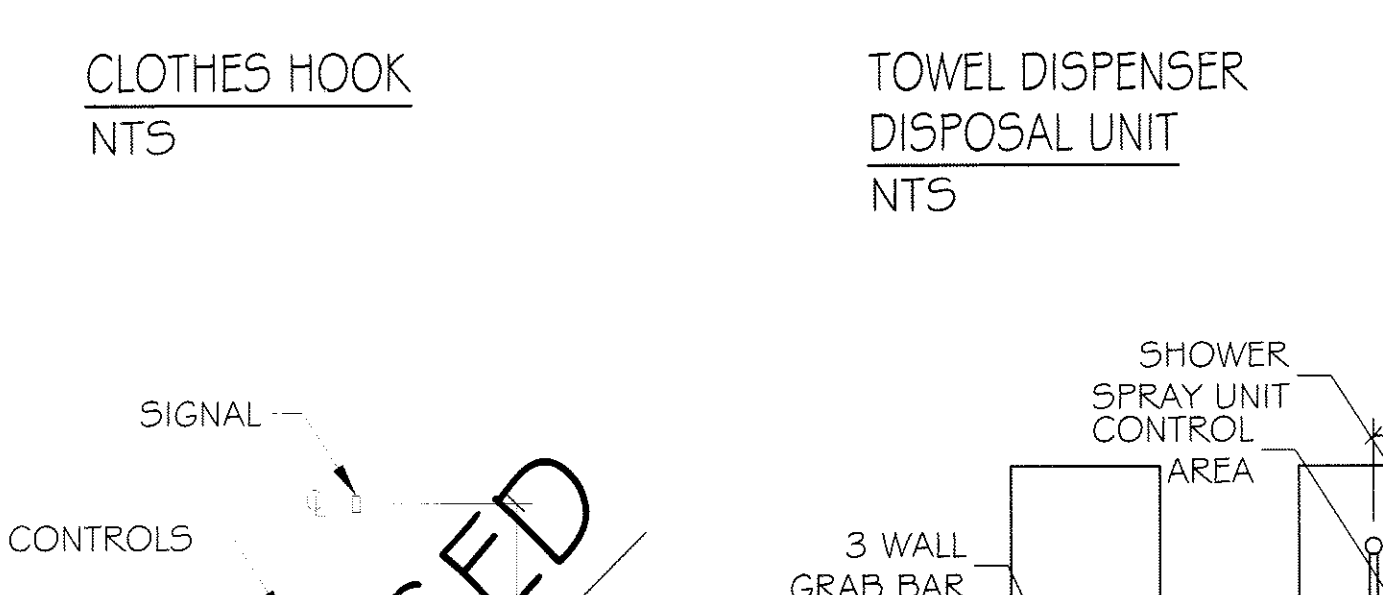
MIRROR OR MEDICINE CABINET  
NTS



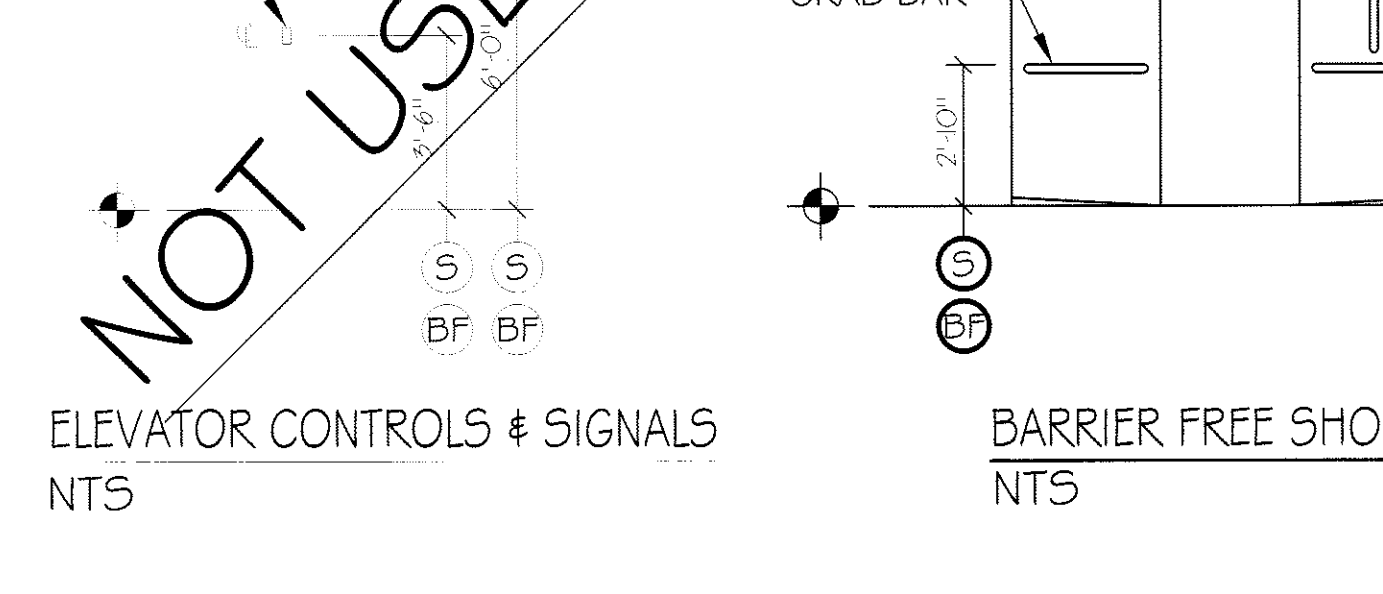
FIRE EXTINGUISHER  
CABINET (FEC)  
NTS



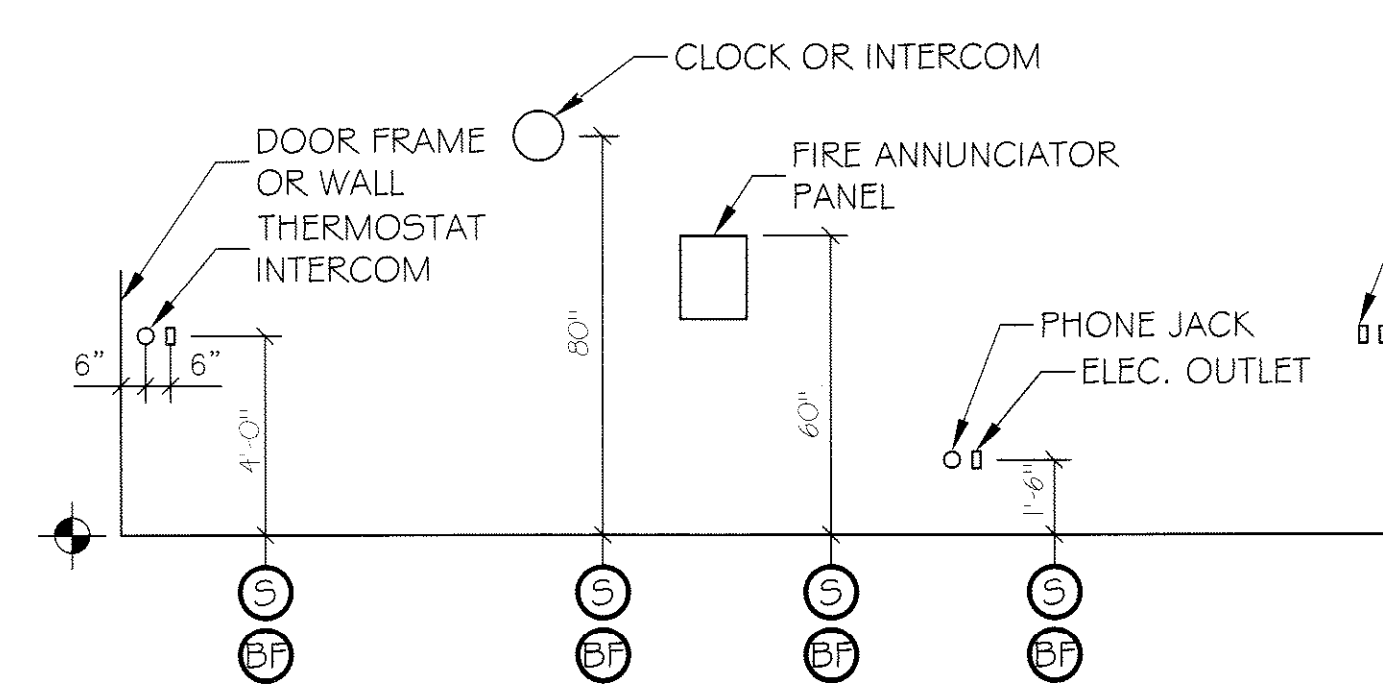
TOWEL & SOAP DISPENSERS  
NTS



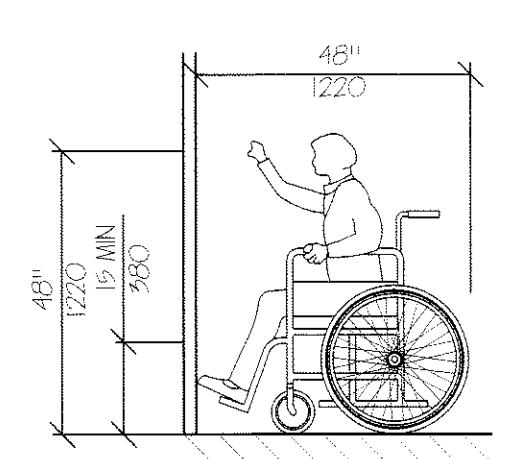
CLOTHES HOOK  
NTS



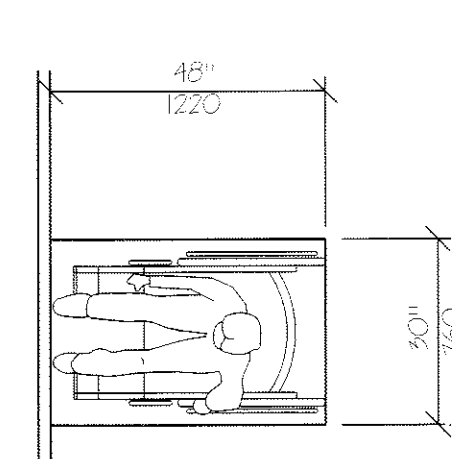
ELEVATOR CONTROLS & SIGNALS  
NTS



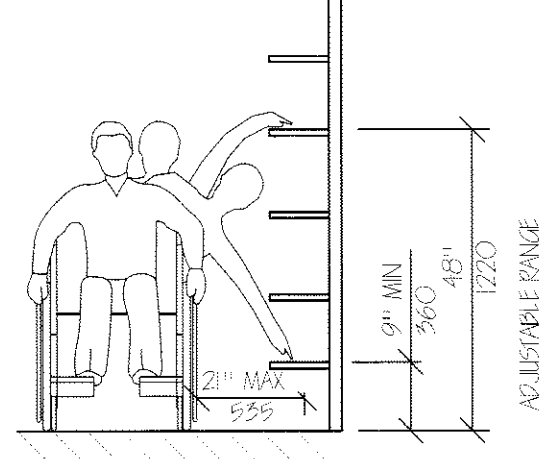
ELECTRICAL & FIRE PROTECTION DEVICES  
TYPICAL UNLESS NOTED OTHERWISE  
NTS



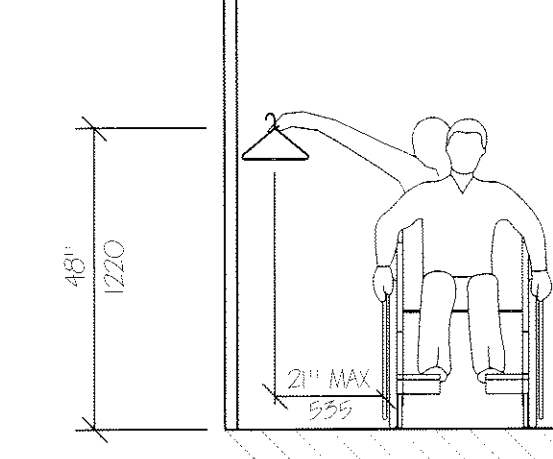
HIGH FORWARD REACH LIMIT  
NTS



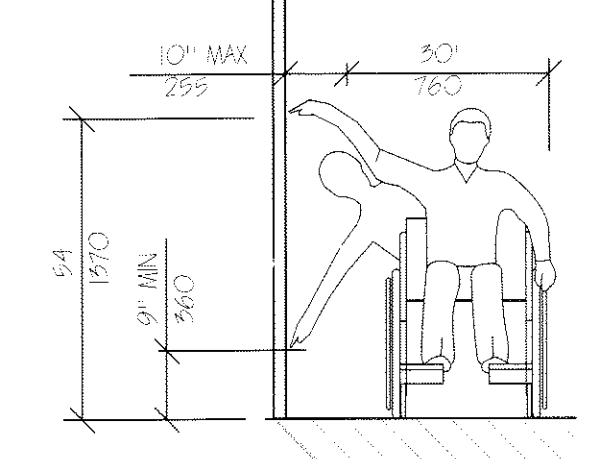
STORAGE SHELVES AND CLOSETS  
NTS



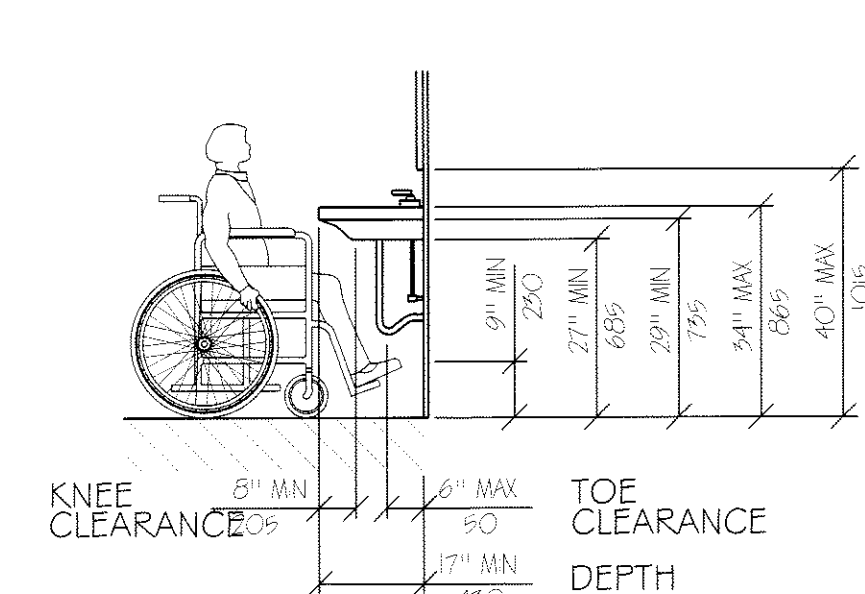
CLOSETS  
NTS



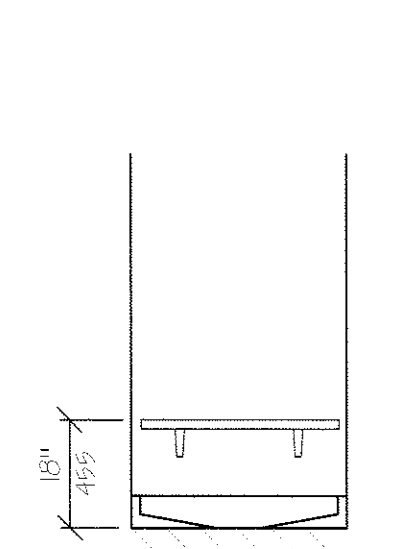
CLEAR FLOOR SPACE  
PARALLEL APPROACH  
NTS



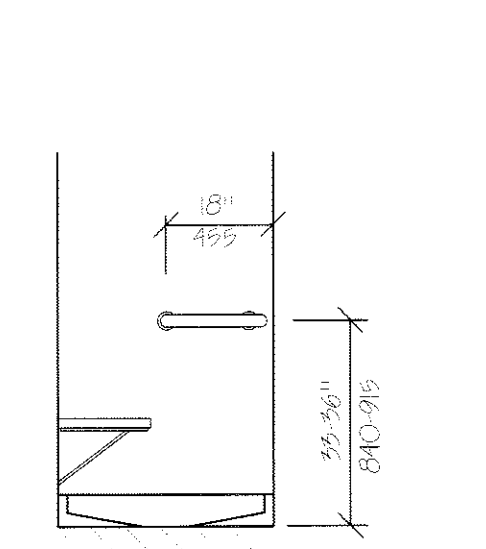
HIGH AND LOW  
SIDE REACH LIMITS  
NTS



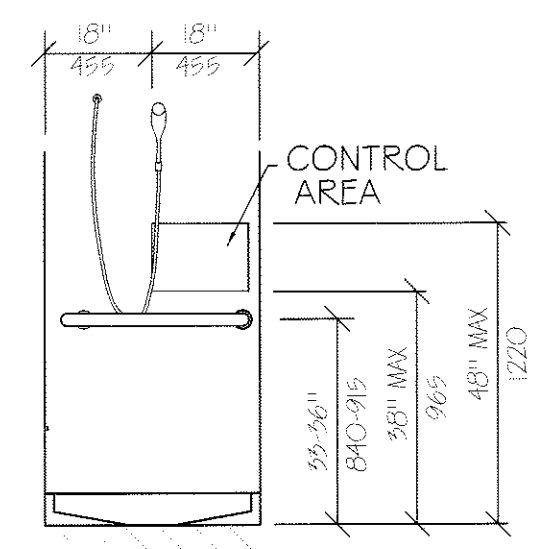
LAVATORY CLEARANCES  
NTS



SEAT WALL  
NTS

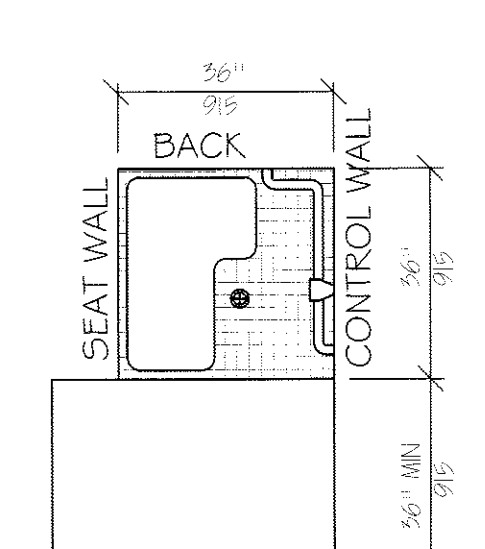


BACK  
NTS

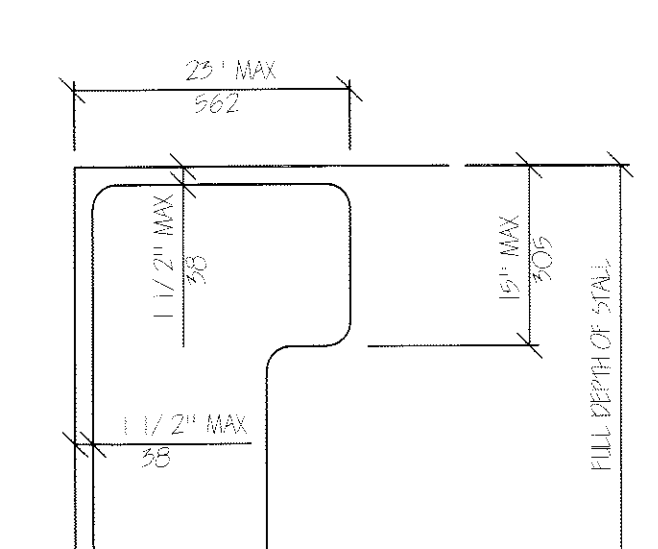


CONTROL WALL  
NTS

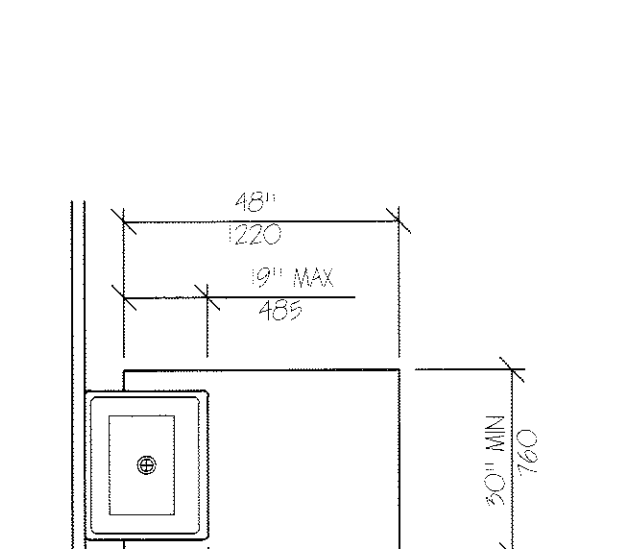
SHOWER SEAT ELEVATIONS  
NTS



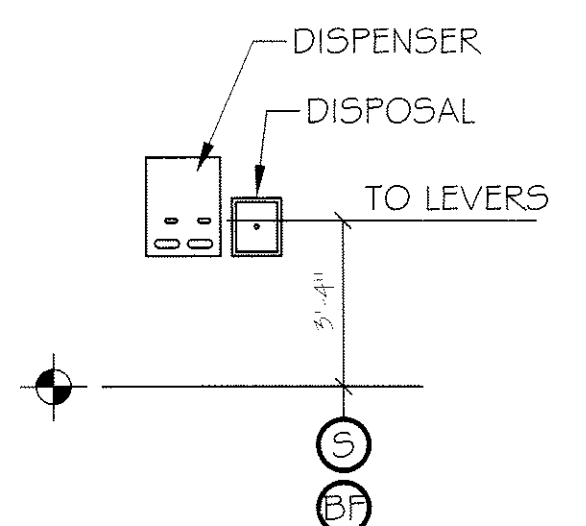
SHOWER STALL PLAN  
NTS



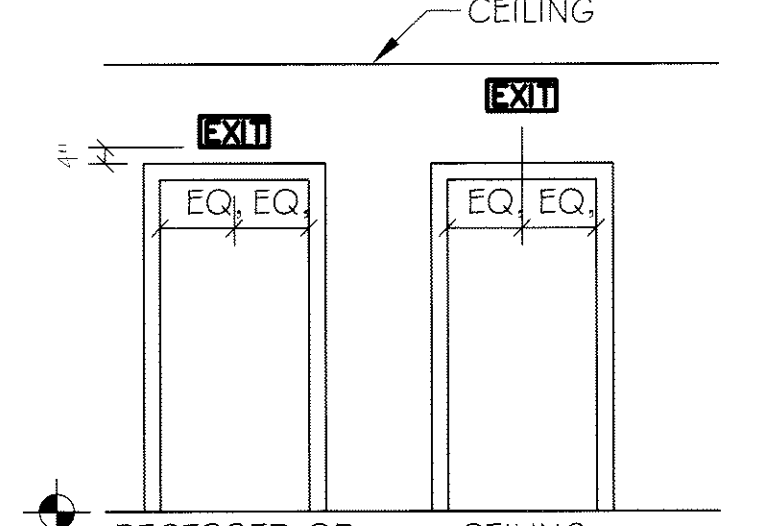
SHOWER SEAT DESIGN  
NTS



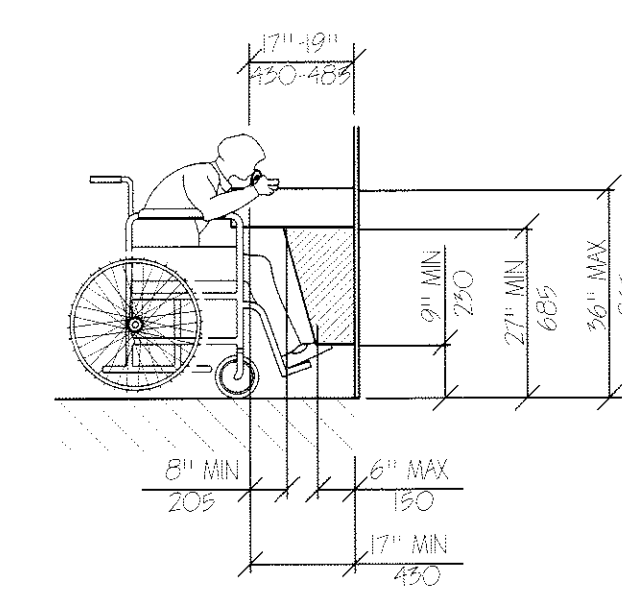
CLEAR FLOOR SPACE  
AT LAVATORIES  
NTS



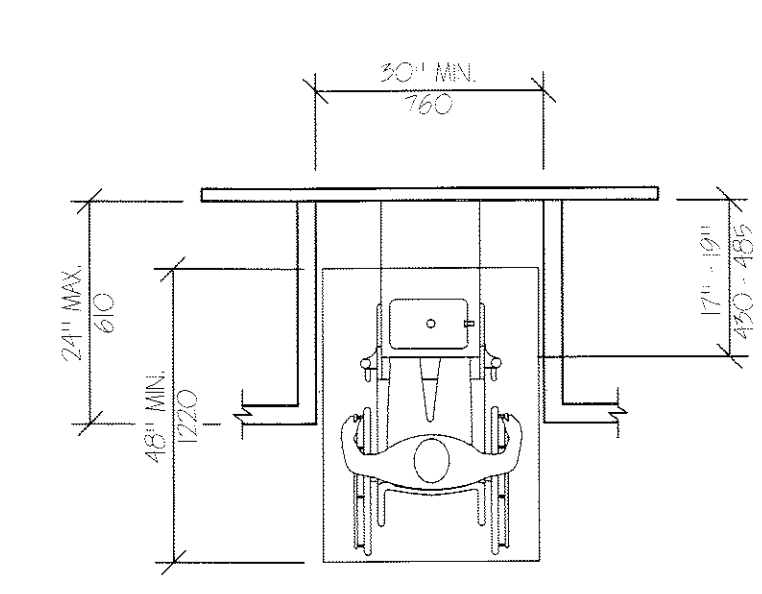
SANITARY DISPENSER  
DISPOSAL UNITS  
NTS



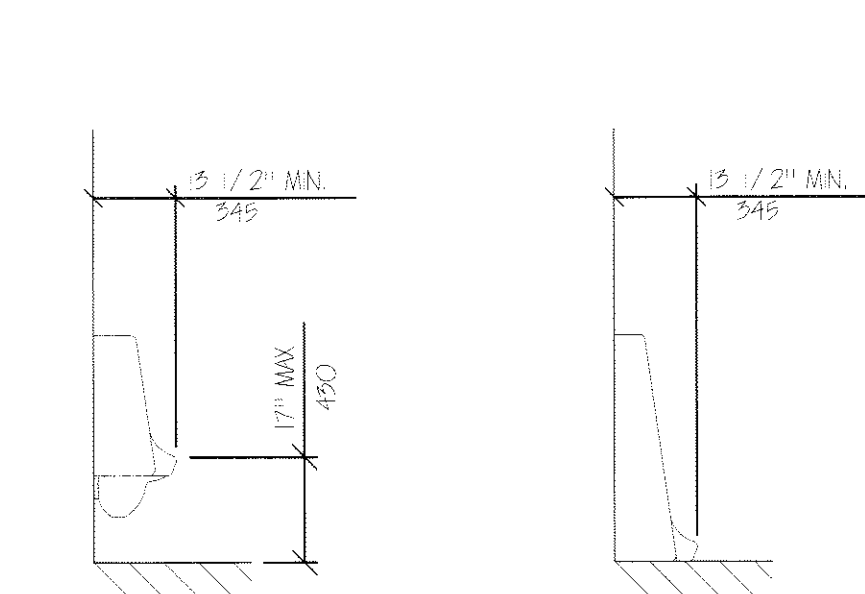
EXIT SIGNS  
TYPICAL UNLESS OTHERWISE NOTED  
NTS



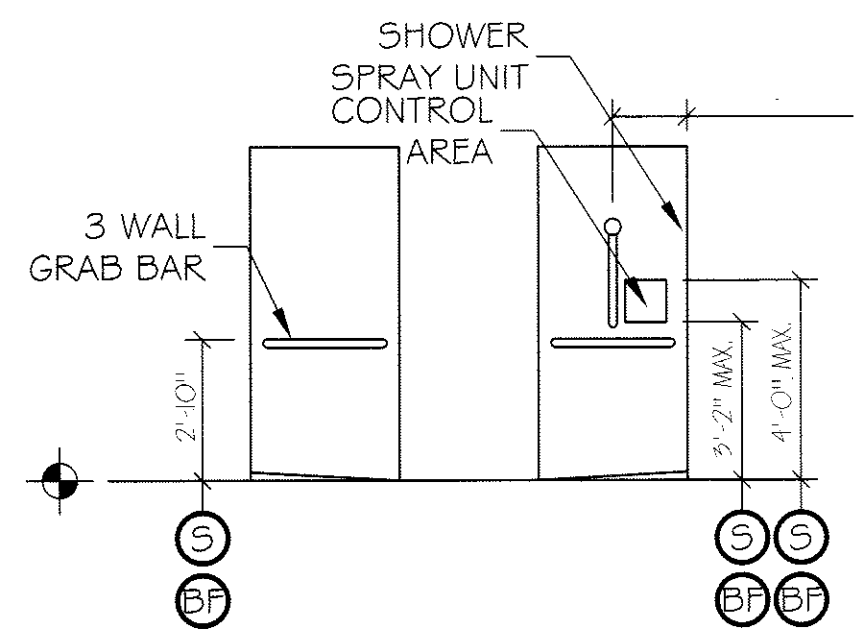
EQUIPMENT PERMITTED IN SHADED AREA  
DRINKING FOUNTAIN SPOUT HEIGHT  
AND KNEE CLEARANCE  
NTS



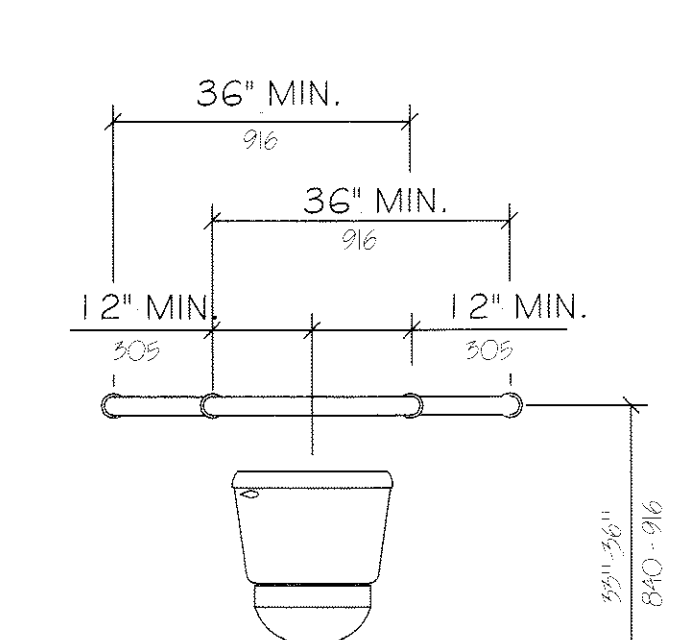
DRINKING FOUNTAIN  
NTS



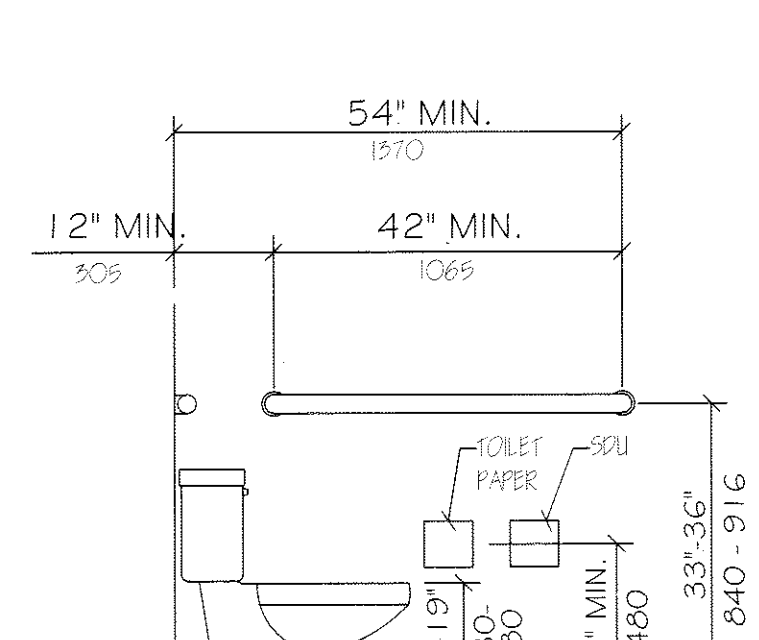
WALL HUNG TYPE  
STALL TYPE  
HEIGHT AND DEPTH OF URINALS  
NTS



BARRIER FREE SHOWER  
NTS



GRAB BARS AT WATER CLOSETS  
NTS



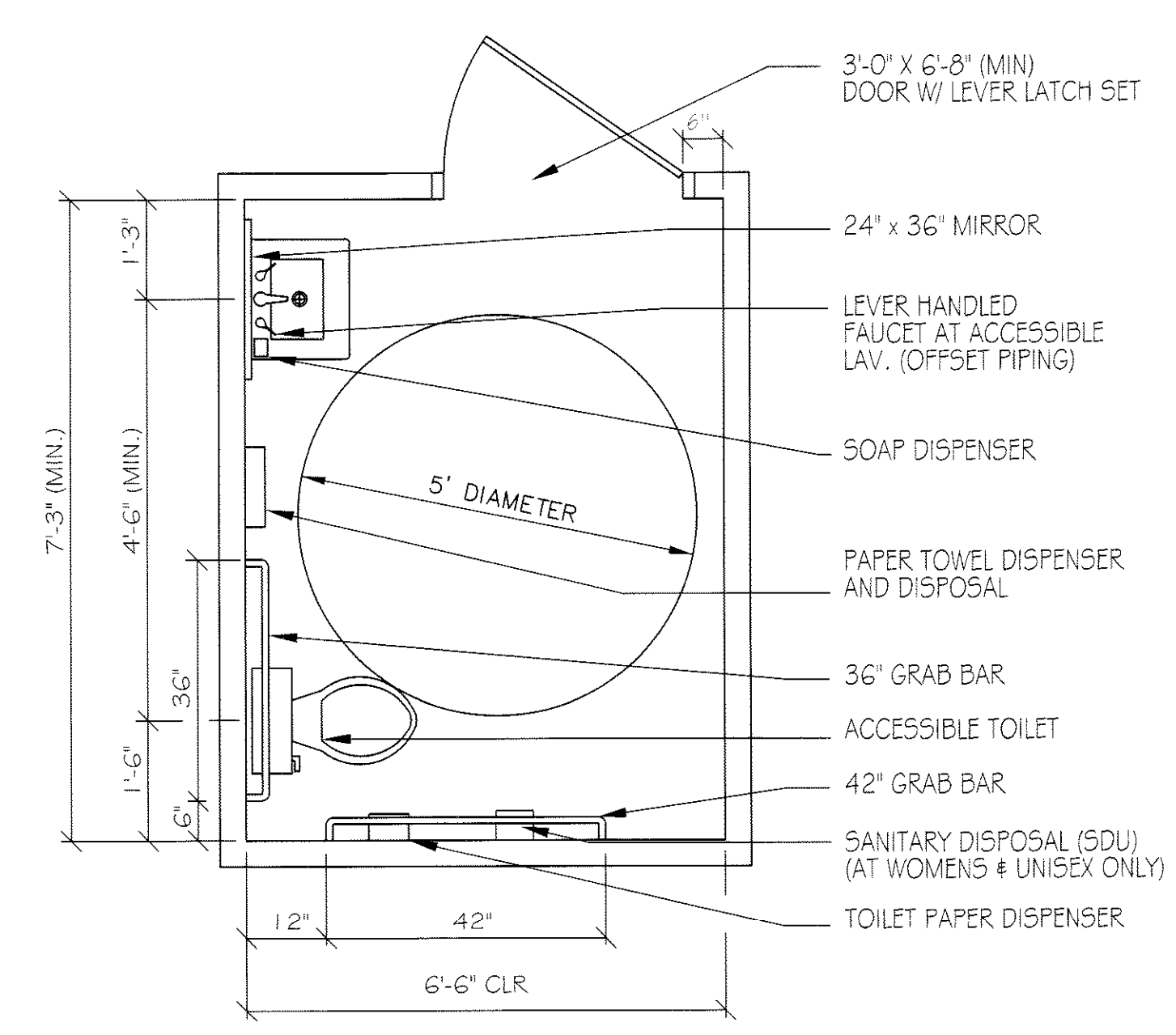
GRAB BARS AT WATER CLOSETS  
NTS

LEGEND

- (S) STANDARD MOUNTING HEIGHT
- (BF) BARRIER FREE ADULT MOUNTING HEIGHT
- (-) FINISH FLOOR LINE

NOTE

MOUNT ALL FIXTURES AT STANDARD MOUNTING HEIGHT UNLESS INDICATED ON PLAN BY A & B SYMBOL. A & B SYMBOL AT ANY ROOM SHALL INCLUDE ONE OF ANY FIXTURE AND ACCESSORY WITHIN THE ROOM.



TYPICAL ACCESSORIES  
NTS

ACCESSIBILITY ACCESSORY MOUNTING HEIGHTS

GRAB BARS	33"-36"
TOILET PAPER HOLDER	19" MIN
TOWEL BAR/PAPER TOWEL DISPENSER	48" MAX
BUILT IN PAPER TOWEL DISPENSER	48" MAX
SOAP DISH/DISPENSER AT WALL	48" MAX
SANITARY DISPOSAL UNIT	19" MAX
MIRROR (BOTTOM)	40" MAX
SHELVES/STORAGE	48" MAX
ELECTRICAL SWITCHES/OUTLETS	48" MAX
COAT HOOKS/RODS	48" MAX
SIGNAGE (TO BRAILLE COMPONENT)	60" MAX

ACCESSIBILITY GENERAL NOTES

- DOORWAYS SHALL HAVE A MINIMUM CLEAR WIDTH OF 32" WITH THE DOOR OPEN 90 DEGREES, MEASURED BETWEEN THE FACE OF THE DOOR AND THE OPPOSITE STOP.
- ALL DOORS SHALL HAVE LEVER HANDLE HARDWARE, EXCEPT AT SECURED STORAGE ROOMS, MECHANICAL ROOMS, AND UTILITY ROOMS.
- ALL CLOSERS SHALL BE 5LB PULL MAXIMUM AT DOORS EQUIPPED WITH LEVER HANDLE HARDWARE.
- ALL DOORS WITH CLOSERS SHALL HAVE 1 8" CLEAR DISTANCE FROM THE LATCHSIDE OF THE OPENING TO ANY ADJACENT WALL OR OBSTRUCTION ON THE PULL SIDE OF THE OPENING.
- ALL DOORS WITH CLOSERS SHALL HAVE 1 2" CLEAR DISTANCE FROM THE LATCHSIDE OF THE OPENING TO ANY ADJACENT WALL OR OBSTRUCTION ON THE PUSH SIDE OF THE OPENING.
- ALL SIGNAGE SHALL BE MOUNTED 60" AFF TO BRAILLE COMPONENT AT LATCH-SIDE WALL OF DOORS AND OPENINGS.
- COMPLY WITH 2010 EDITION OF THE AMERICANS WITH DISABILITIES ACT.

DATE: 27 JUL '15  
SCALE: NO SCALE  
DRAWN: MFH/mgk  
JOB NO: 150791  
SHEET: A4  
COPYRIGHT REPRODUCTION OR REVISE OF THIS DOCUMENT WITHOUT WRITTEN PERMISSION FROM GRANT HAYS ASSOCIATES IS PROHIBITED.