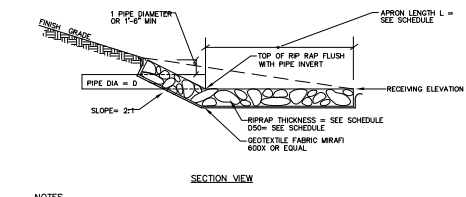
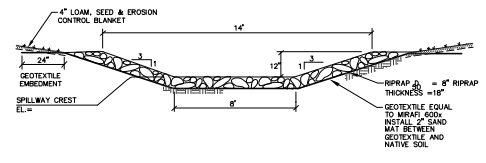


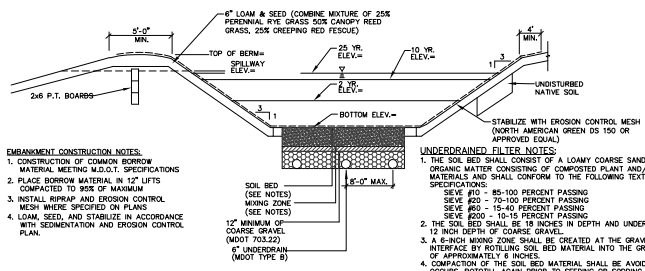
PLAN VIEW



SECTION VIEW



EMERGENCY SPILLWAY CROSS-SECTION  
NOT TO SCALE



DETENTION BASIN WITH UNDERDRAINED GRASS FILTER  
NOT TO SCALE

- NOTES**
1. RIPRAP TO BE PROCESSED ANGULAR ROCK
  2. RIPRAP GRADATION SHALL BE A WELL GRADED MIX FROM ABOUT 1.5 TIMES D SIZE TO 25 PERCENT OF THE D SIZE
  3. THE RIPRAP STONES SHALL BE CAREFULLY PLACED FROM THE TOE OF THE SLOPE UPWARD
  4. STONES SHALL BE LOWERED TO THE SLOPE AND NOT BE ALLOWED TO DROP MORE THAN 12\"/>
  - 5. THE FINISHED SURFACE SHALL BE A RELATIVELY SMOOTH, UNIFORMLY SLOPED SURFACE

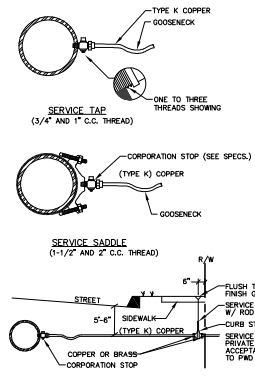
**TYPICAL RIPRAP APRON SCHEDULE**

PIPE DIAMETER D (IN.)	APRON LENGTH L (FT.)	WIDTH W1 (FT.)	WIDTH W2 (FT.)	RIPRAP D50 (IN.)	RIPRAP THICKNESS (IN.)
12	8	3	9	6	14
16	10	4	12	8	14

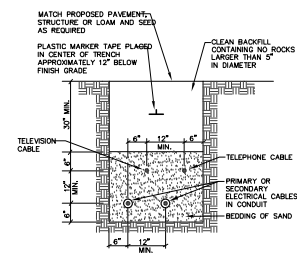
**RIPRAP APRON**  
NOT TO SCALE

- EMBANKMENT CONSTRUCTION**
1. CONSTRUCTION OF COMMON BORROW MATERIAL MEETING M.D.O.T. SPECIFICATION.
  2. PLACE BORROW MATERIAL IN 12\"/>
  - 3. INSTALL RIPRAP AND EROSION CONTROL MESH WHERE SPECIFIED ON PLANS
  - 4. LOAM, SEED, AND STABILIZE IN ACCORDANCE WITH SEDIMENTATION AND EROSION CONTROL PLAN

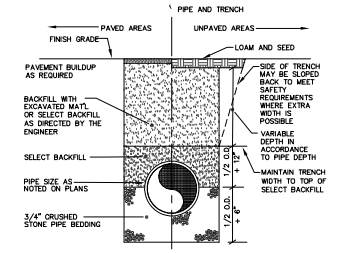
**SPILLWAY SECTION**  
NOT TO SCALE



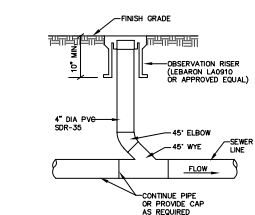
**TYPICAL SERVICE CONNECTION**  
NOT TO SCALE



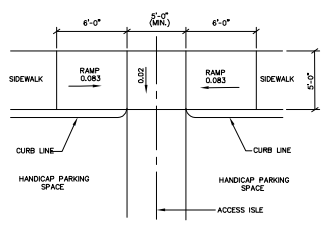
**TYPICAL UNDERGROUND CABLE INSTALLATION**  
NOT TO SCALE



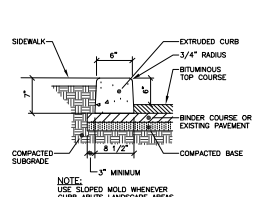
**TYPICAL TRENCH SECTION**  
NOT TO SCALE



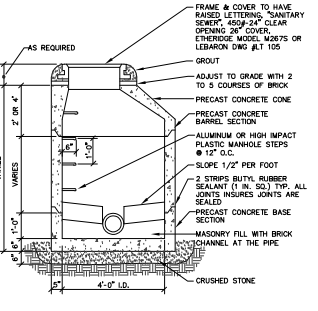
**SEWER CLEANOUT**  
NOT TO SCALE



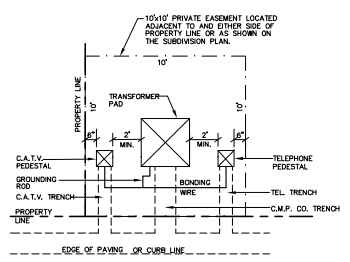
**HANDICAP RAMP**  
NOT TO SCALE



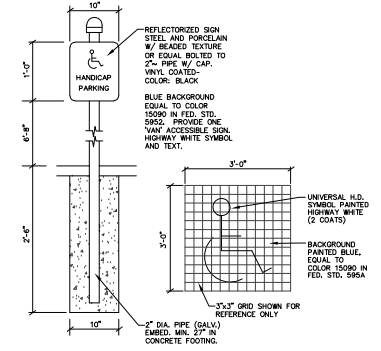
**SLIPFORM CONCRETE CURB**  
NOT TO SCALE



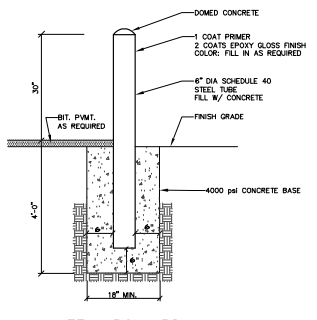
**PRECAST MANHOLE**  
NOT TO SCALE



**TRANSFORMER DETAIL**  
NOT TO SCALE



**HANDICAP SIGNS**  
NOT TO SCALE



**METAL BOLLARD**  
NOT TO SCALE



**DESIGNED**  **CHECKED**

**DES BY** RLM

**DATE** 11/15/15

**PROJECT** SUBMIT PRELIMINARY SITE PLAN APPLICATION TO CITY

**REVISIONS**

NO.	DESCRIPTION
1	REVISED DATE: 11/15/15

THIS PLAN SHALL NOT BE MOVED WITHOUT WRITTEN PERMISSION FROM BEHAG TECHNICS, INC. ANY ALTERATIONS AUTHORIZED BY THE ENGINEER SHALL BE AT THE USER'S SOLE RISK AND WITHOUT LIABILITY TO BEHAG TECHNICS, INC.

**SEBAGO TECHNICAL**

75 John Rowe Rd.  
South Portland, ME 04086  
Tel: 207-250-2100

WWW.SEBAGOTECHNICAL.COM

280 Colquhoun Rd.  
Lebanon, ME 04040  
Tel: 207-753-9508

**DETAILS**

OF

**LOT 5 INDUSTRIAL WAY**

91 INDUSTRIAL WAY  
LEBANON, ME 04040

FOR: **DEERFIELD 91 INDUSTRIAL, LLC.**

1-CANTAL PLAZA  
LEBANON, ME 04040

PROJECT NO. 04479

SCALE NTS

SHEET 7 OF 7