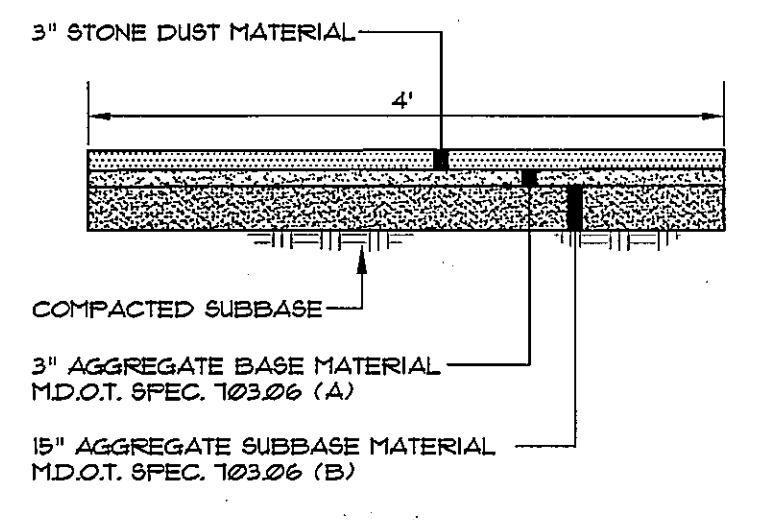
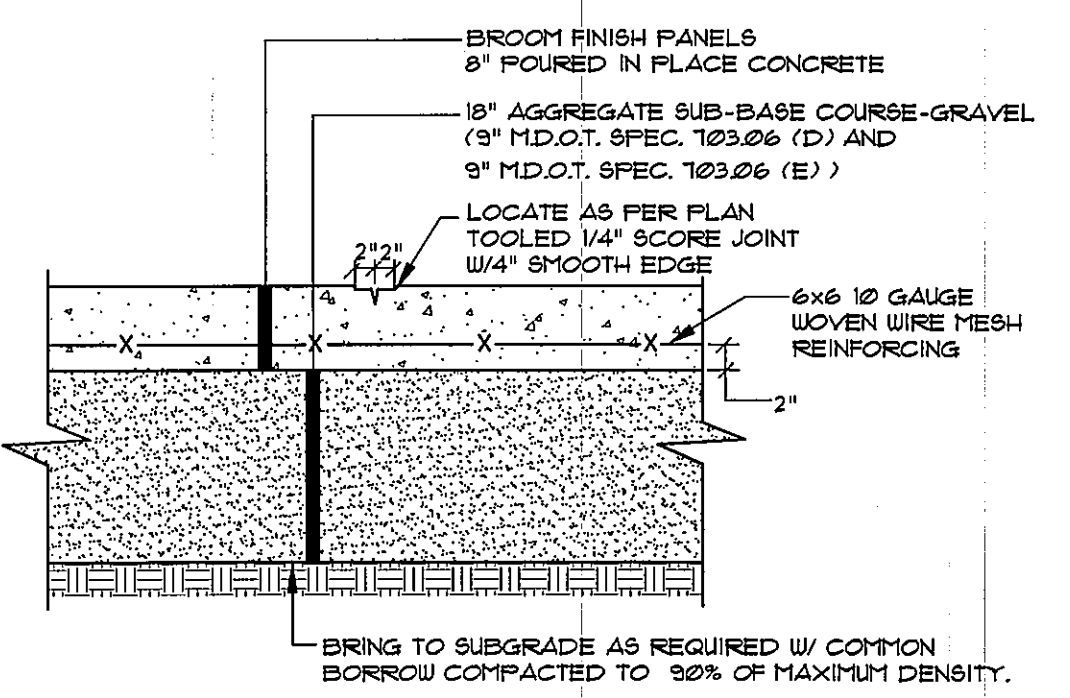


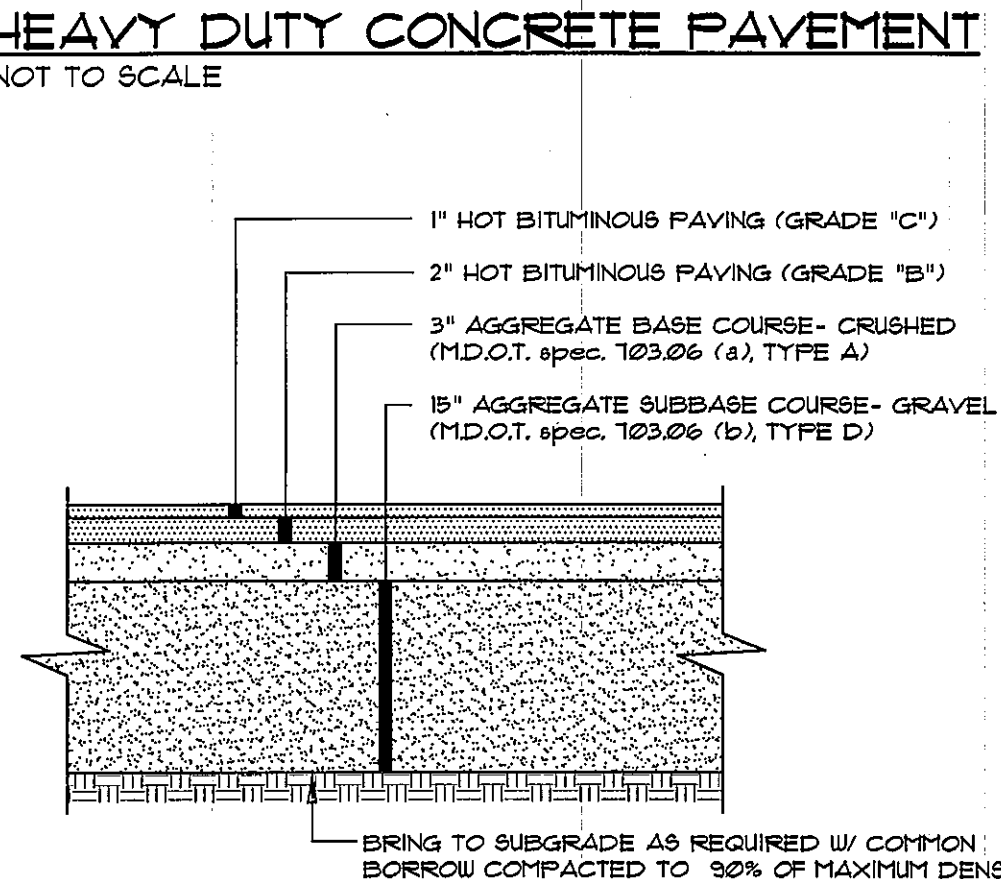
**GRAVEL DRIVE SECTION**  
NOT TO SCALE



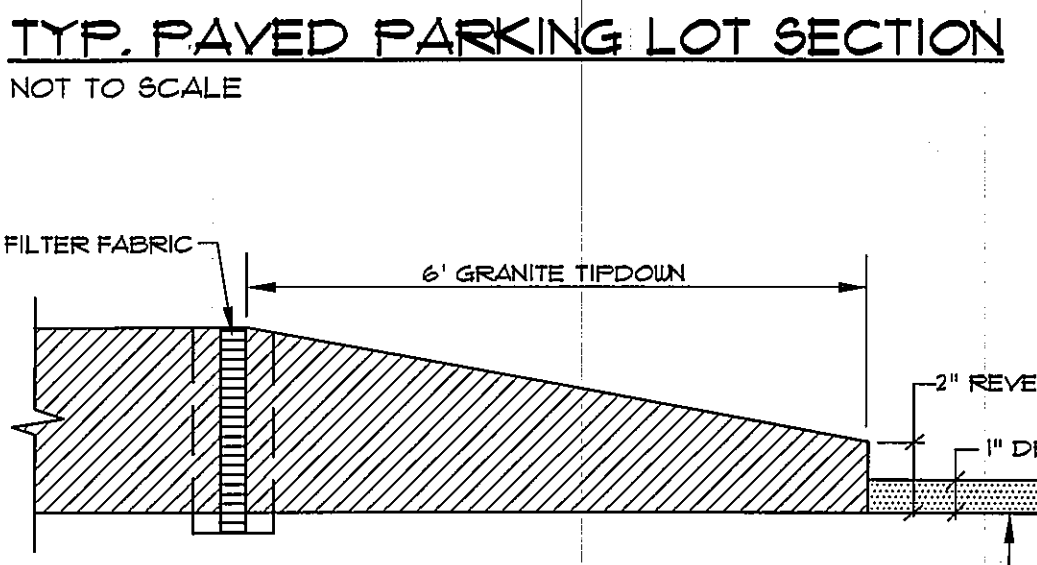
**STONE DUST WALK SECTION**  
NOT TO SCALE



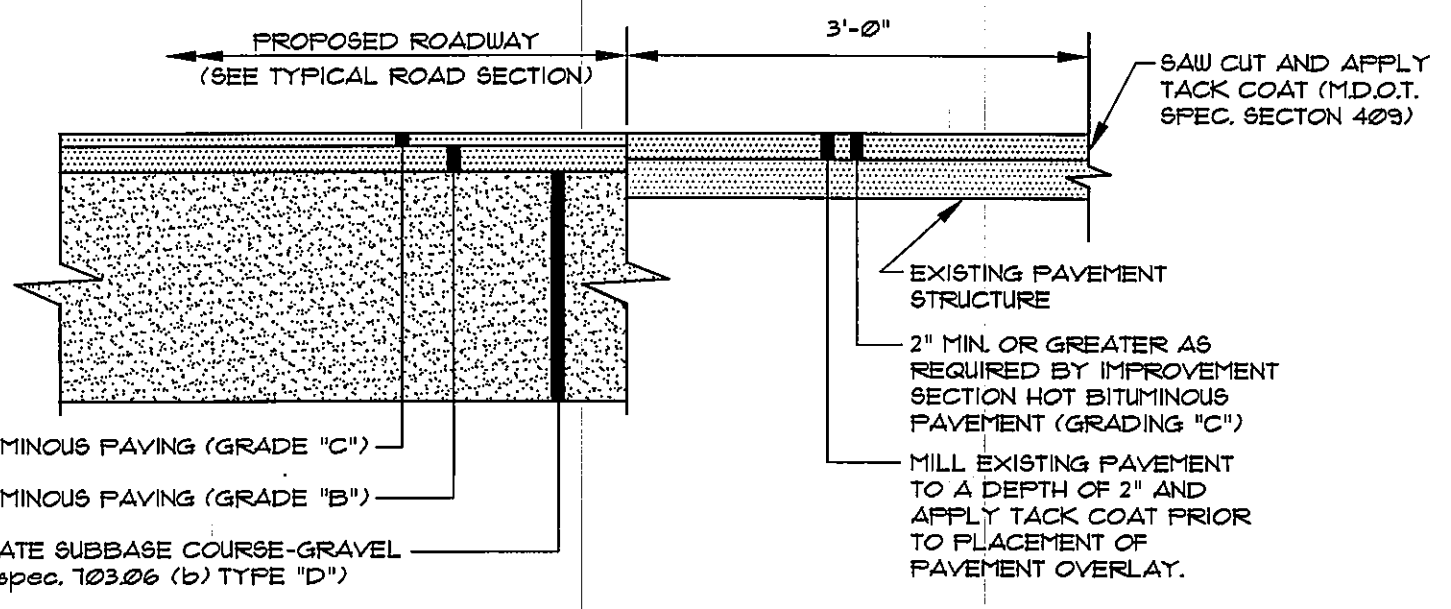
**HEAVY DUTY CONCRETE PAVEMENT**  
NOT TO SCALE



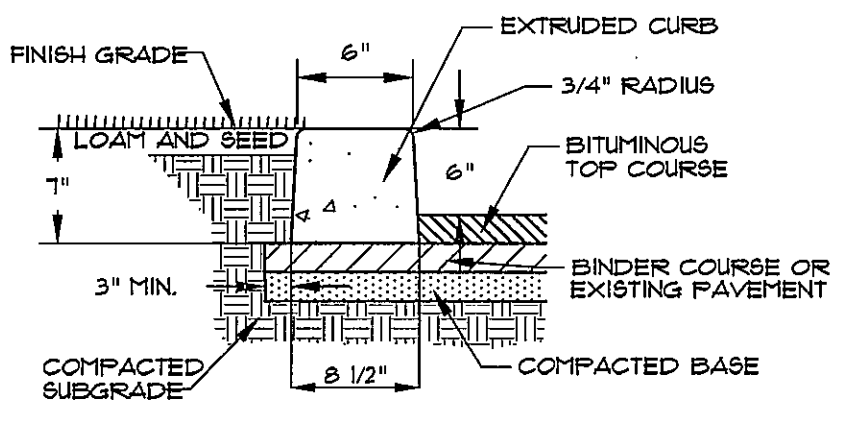
**TYP. PAVED PARKING LOT SECTION**  
NOT TO SCALE



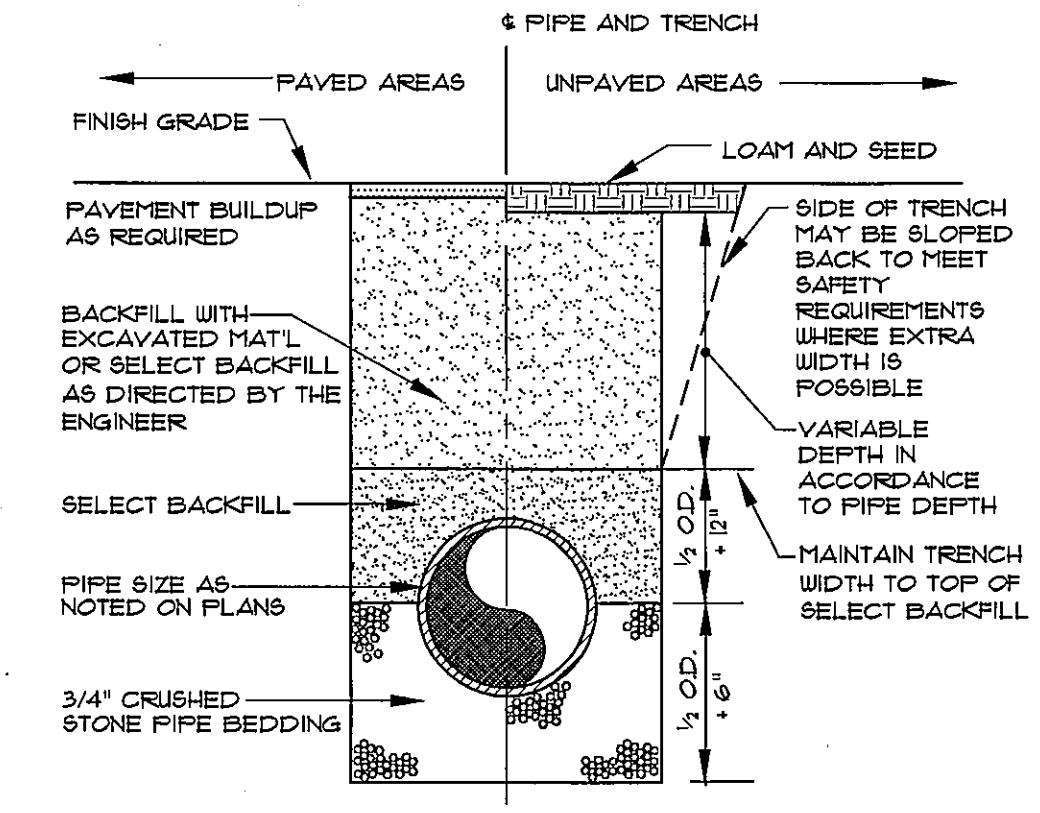
**TYPICAL TIPDOWN CURB INSTALLATION**  
NOT TO SCALE



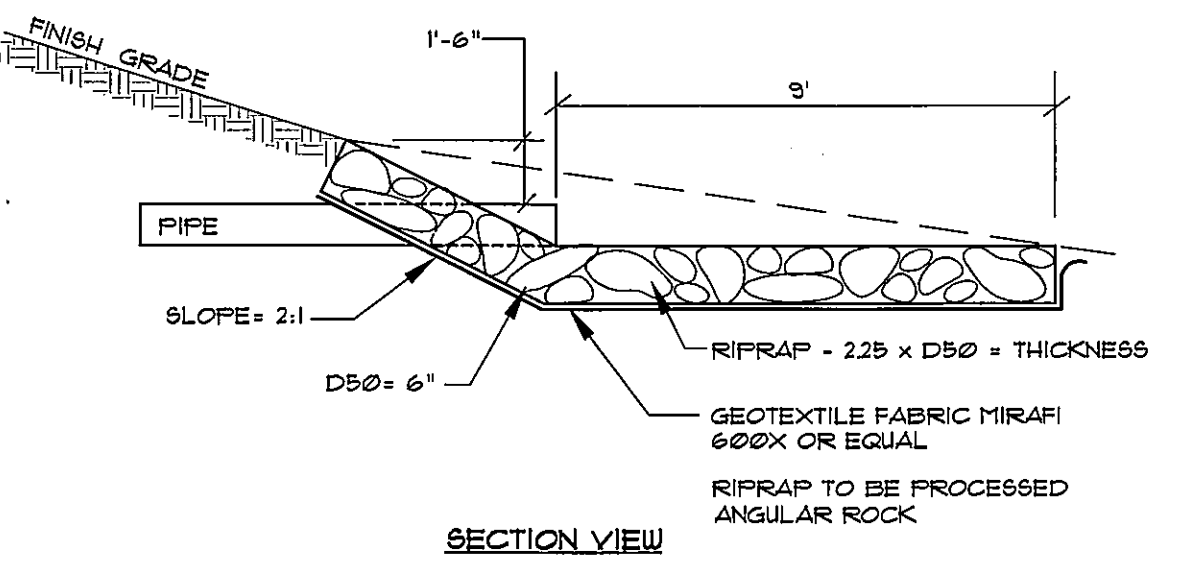
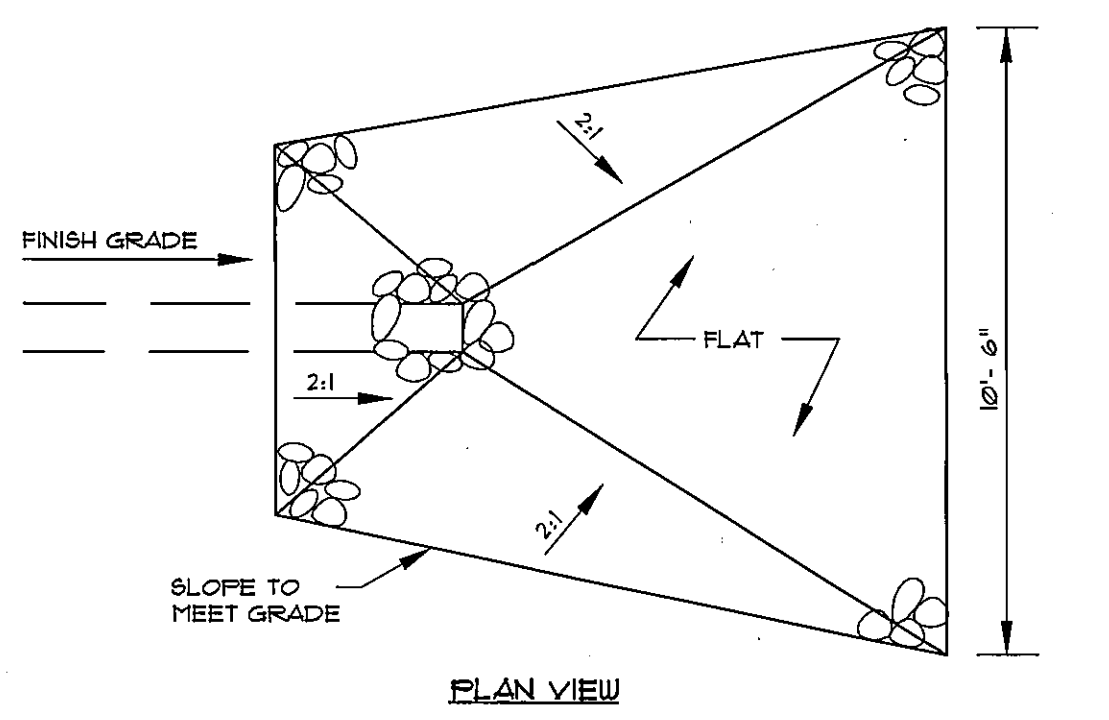
**TYPICAL PAVEMENT JOINT**  
NOT TO SCALE



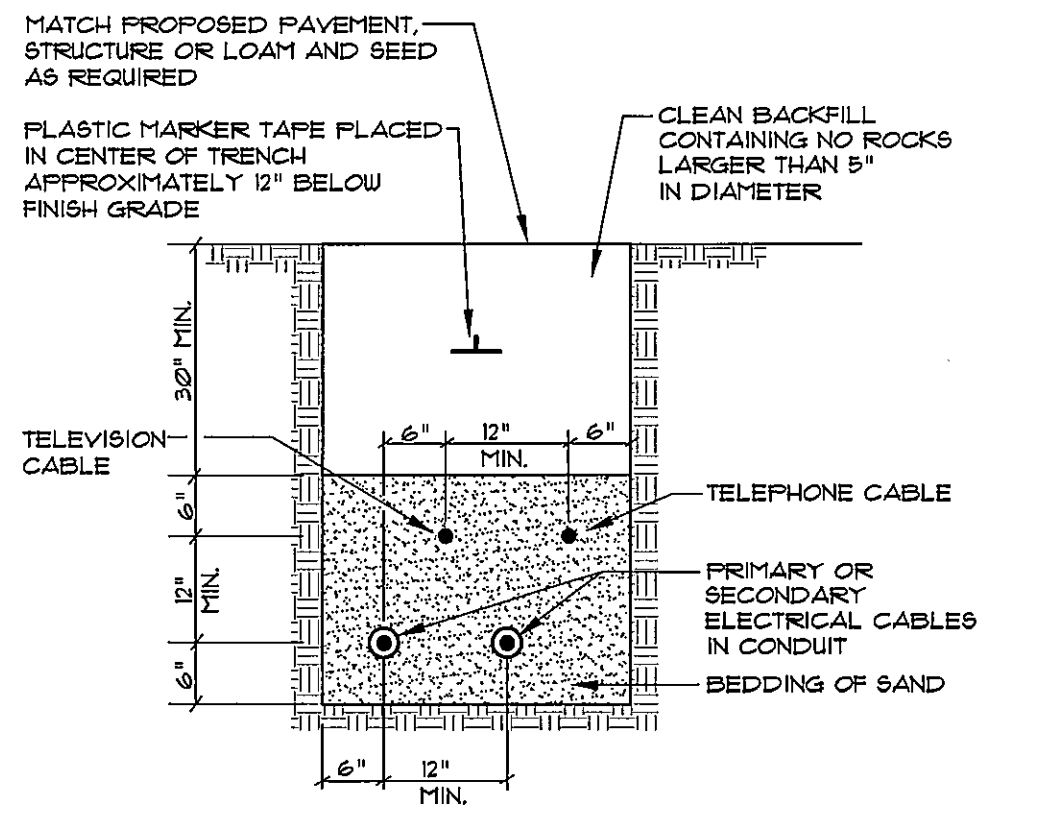
**SLIFFFORM CONCRETE CURB**  
NOT TO SCALE



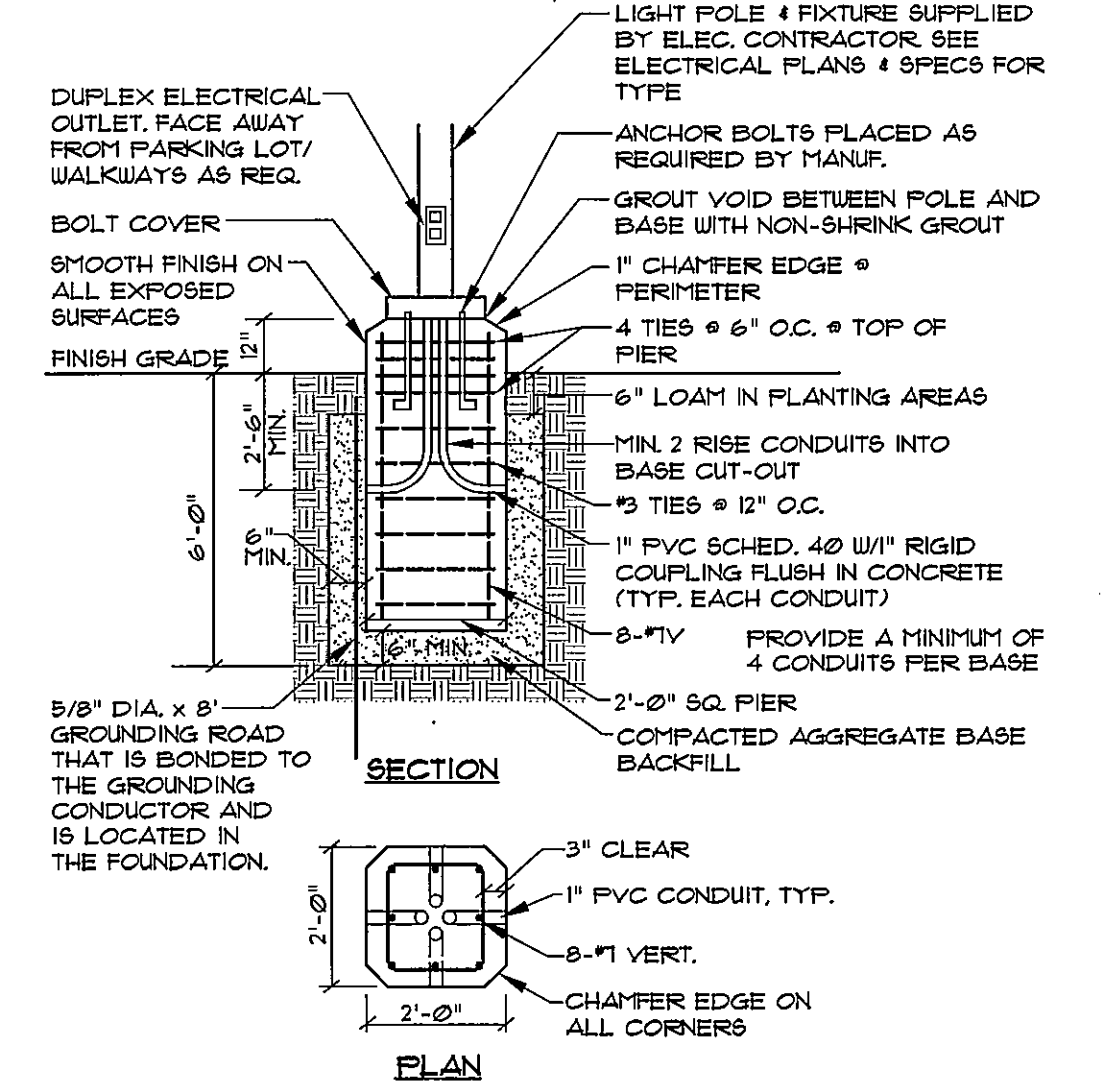
**TYPICAL TRENCH SECTION**  
NOT TO SCALE



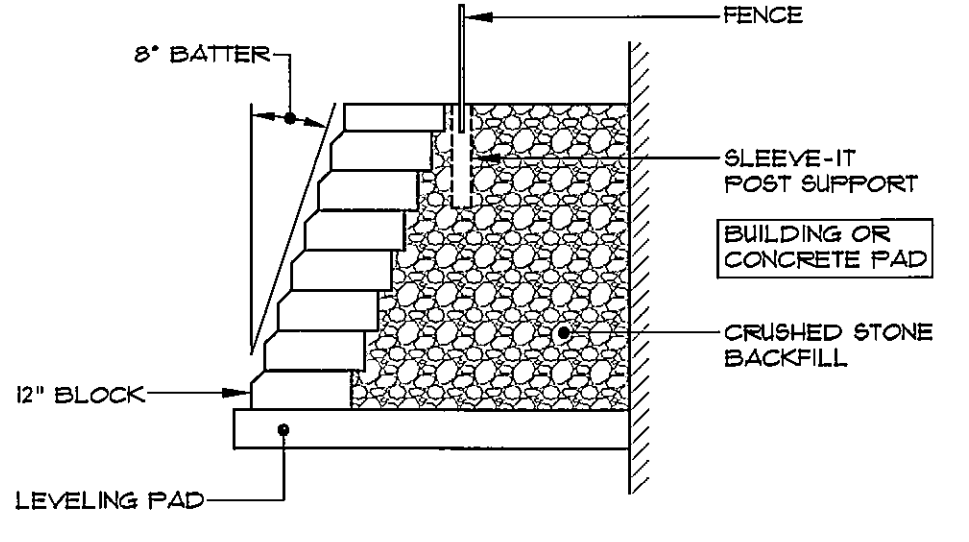
**RIPRAP APRON**  
NOT TO SCALE



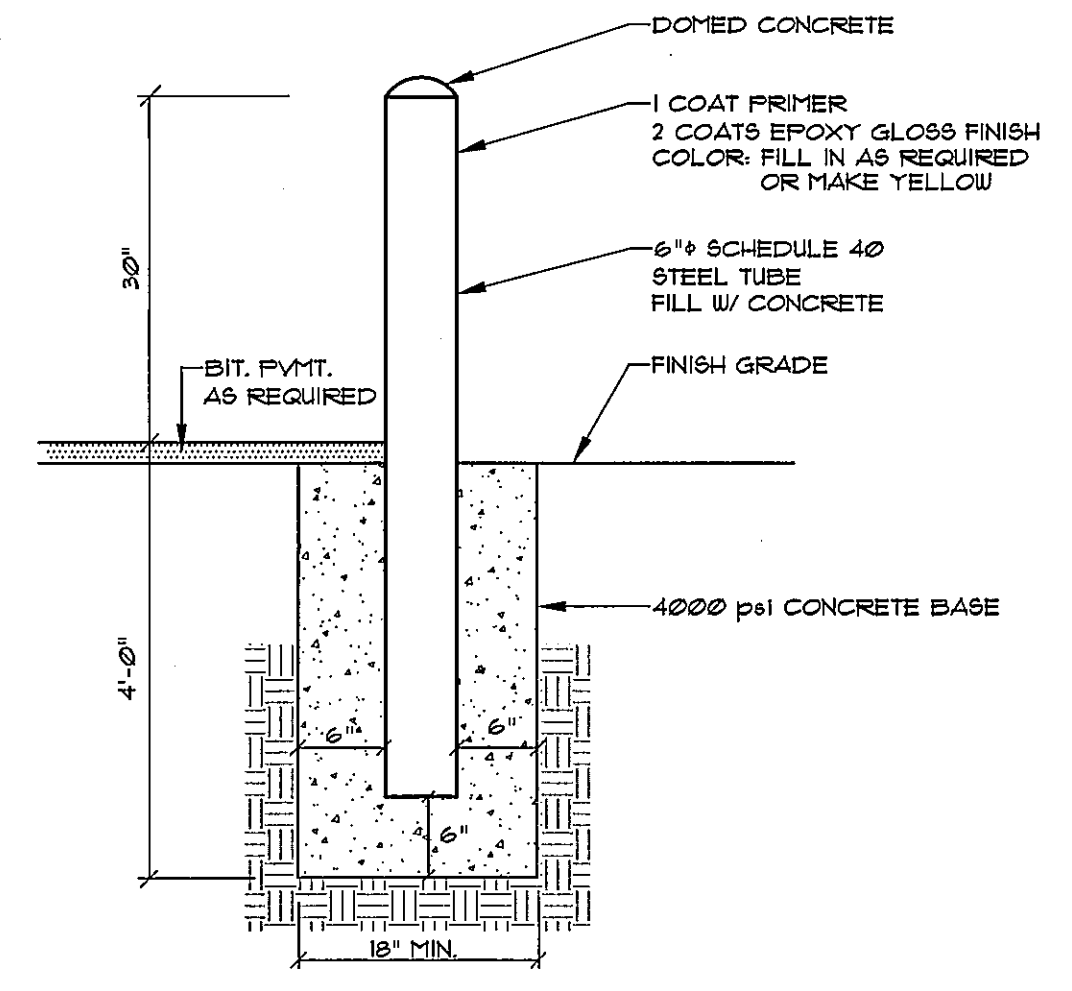
**TYPICAL UNDERGROUND CABLE INSTALLATION**  
NOT TO SCALE



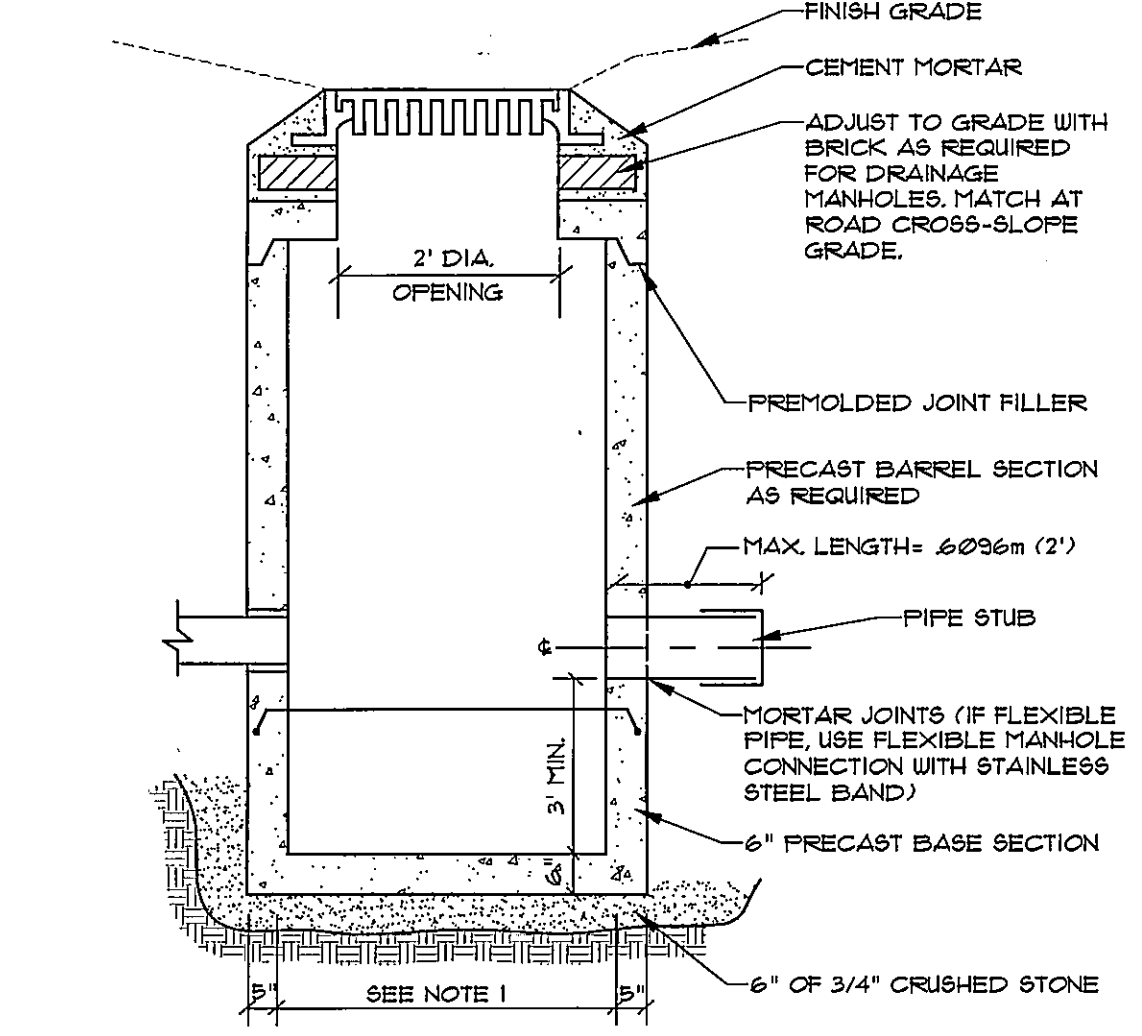
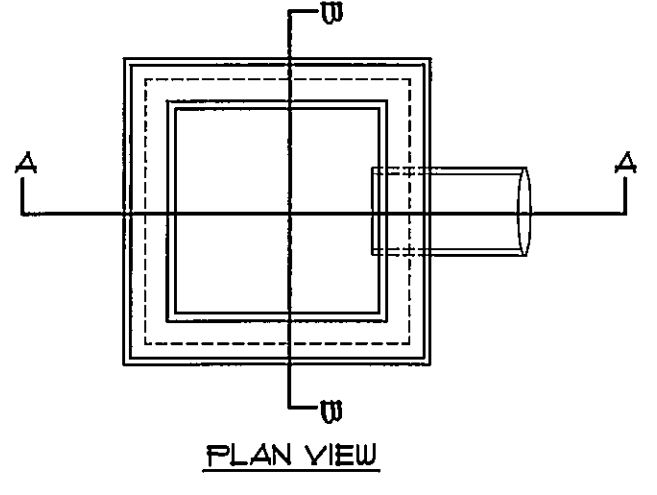
**LIGHT POLE BASE**  
NOT TO SCALE



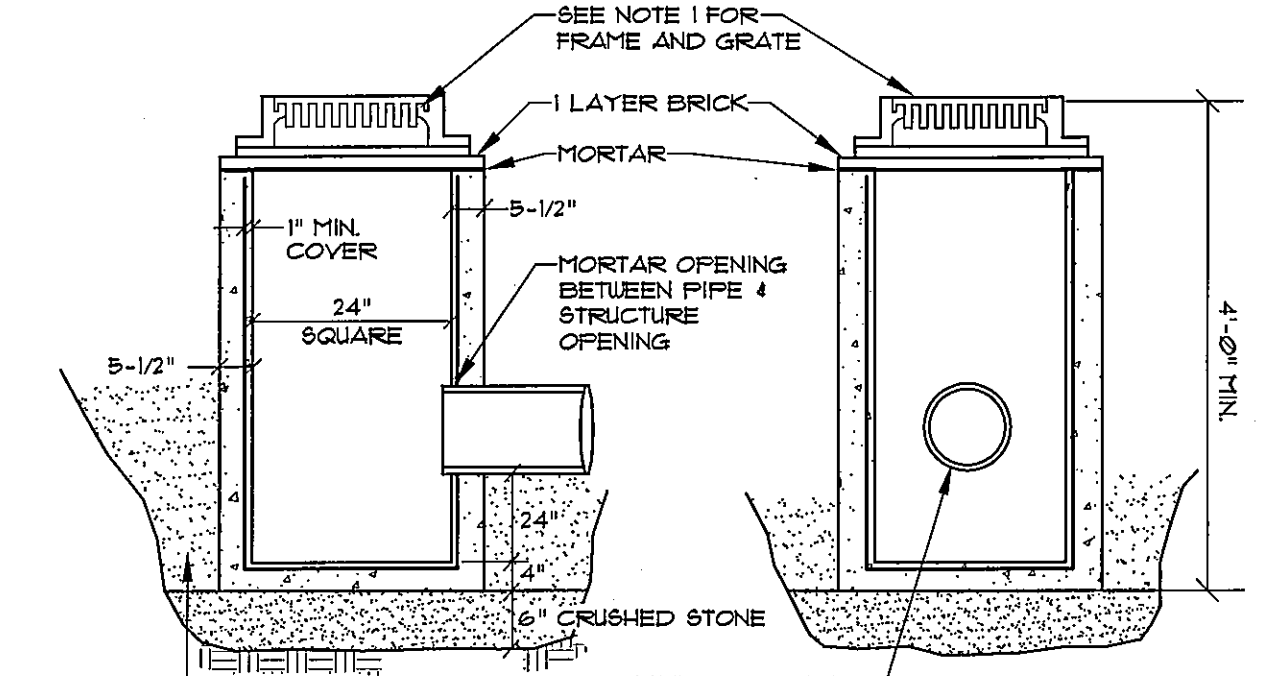
**BLOCK RETAINING WALL**  
NOT TO SCALE



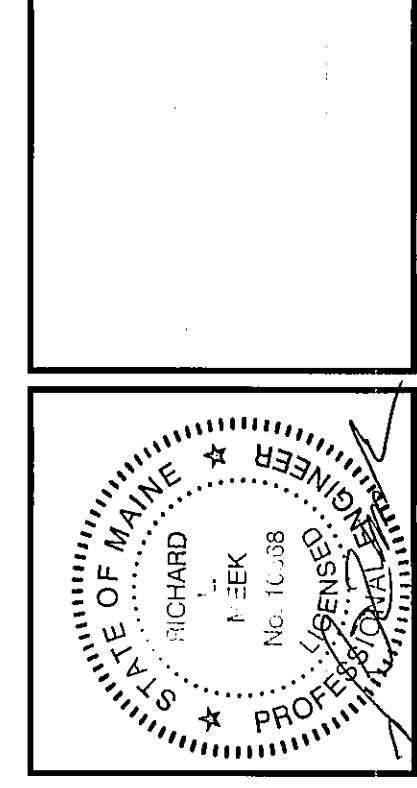
**METAL BOLLARD**  
NOT TO SCALE



**TYP. DRAINAGE STRUCTURE & CATCH BASIN**  
NOT TO SCALE



**TYP. TYPE 'F' CATCH BASIN**  
NOT TO SCALE



DATE	05-05-14	STATUS	SITE PLAN SUBMISSION TO CITY
BY	RLM	DATE	
REV.	A	BY	RLM

**SEBAGO TECHNICS**  
78 John Robbins Rd., Suite 1A  
Sebago, ME 04981  
Tel: 207-286-2100  
Fax: 207-785-5655

**DETAILS OF:**  
ALLAGASH BREWING COMPANY  
INDUSTRIAL WAY  
PORTLAND, MAINE  
FOR:  
50 INDUSTRIAL WAY  
PORTLAND, MAINE 04103

DATE: 05-20-14  
SCALE: N.T.S.  
SHEET 9 OF 9