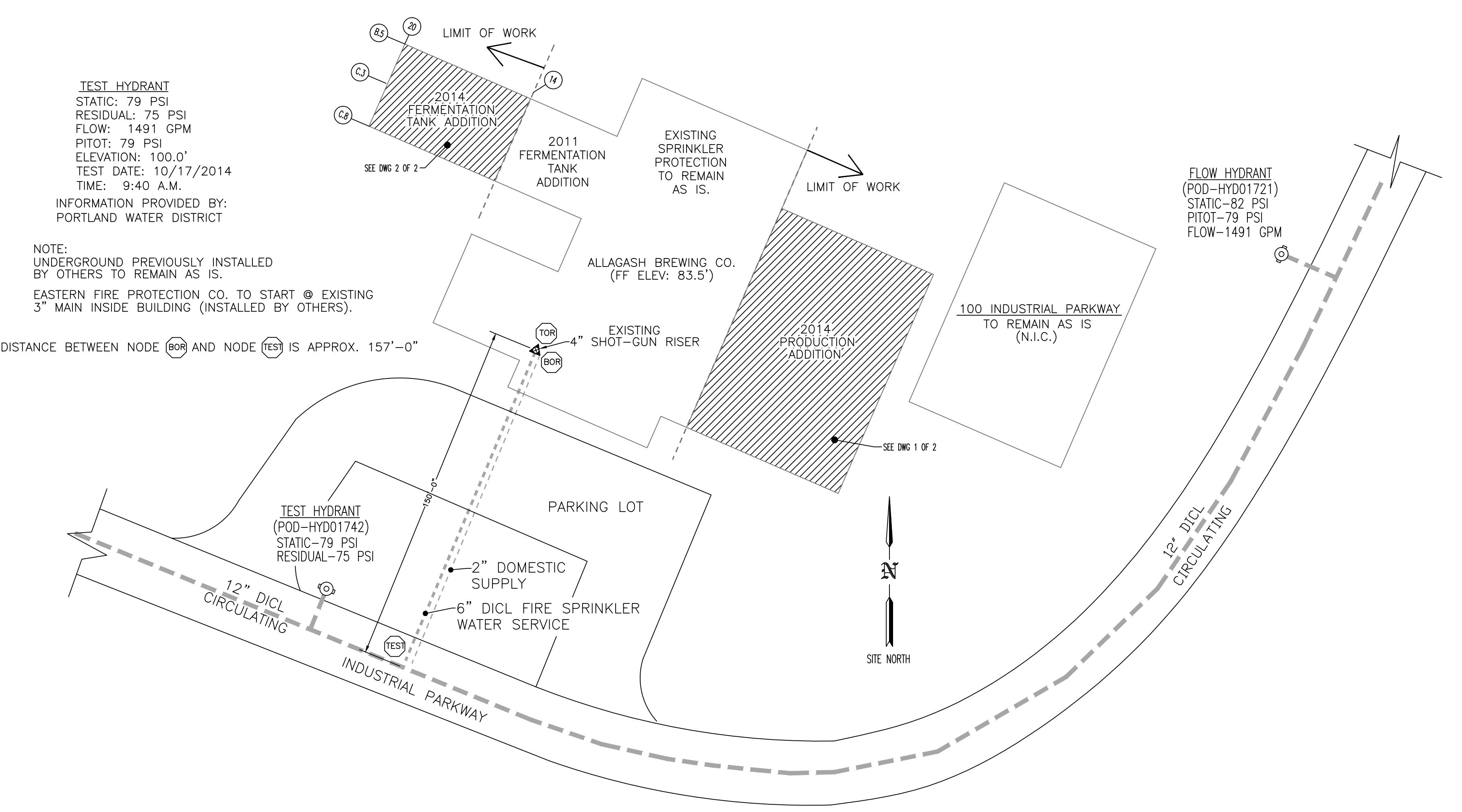


TEST HYDRANT
 STATIC-79 PSI
 RESIDUAL-75 PSI
 FLOW-1491 GPM
 PITOT-79 PSI
 ELEVATION-100.0'
 TEST DATE: 10/17/2014
 TIME: 9:40 A.M.
 INFORMATION PROVIDED BY:
 PORTLAND WATER DISTRICT

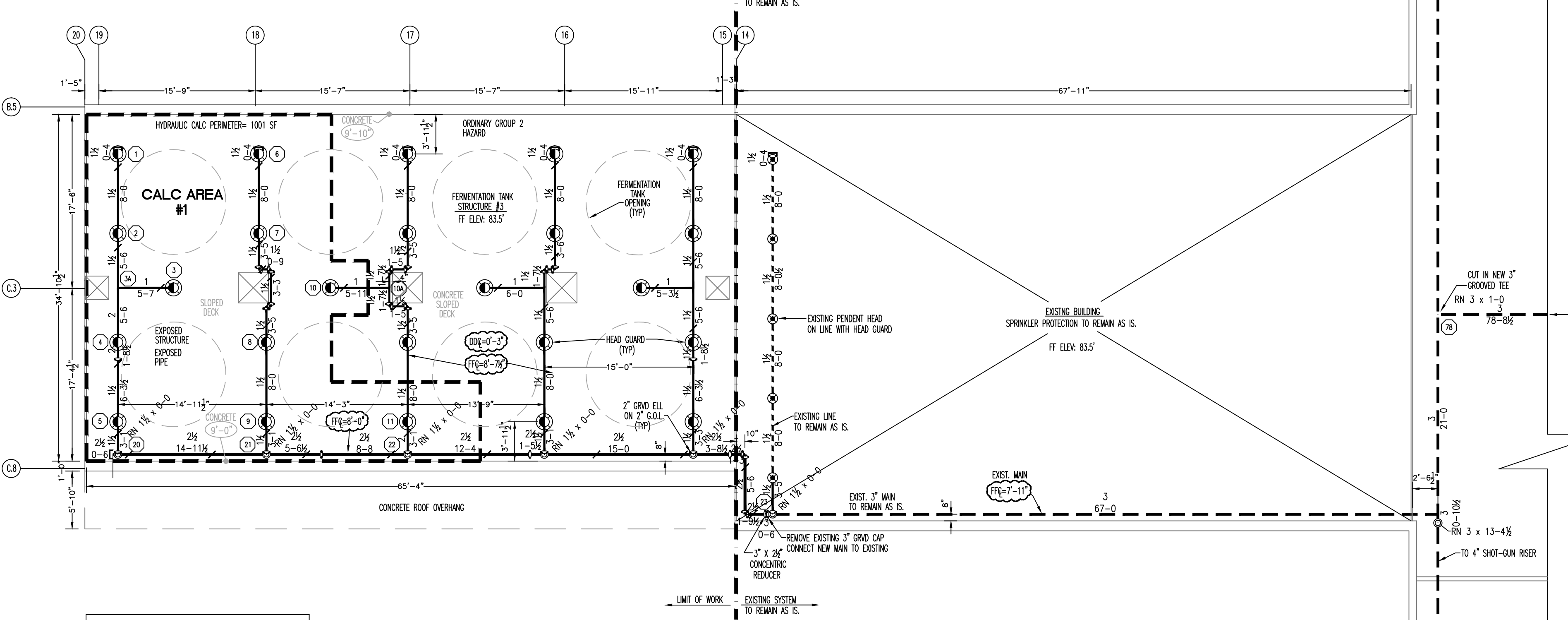
NOTE:
 UNDERGROUND PREVIOUSLY INSTALLED
 BY OTHERS TO REMAIN AS IS.
 EASTERN FIRE PROTECTION CO. TO START @ EXISTING
 3" MAIN INSIDE BUILDING (INSTALLED BY OTHERS).

DISTANCE BETWEEN NODE (BOR) AND NODE (RES) IS APPROX. 157'-0"



WATER SUPPLY/KEY PLAN
 SCALE: N.T.S.

AREA #1
 (FERMENTATION STRUCTURE #3)
 HYDRAULICALLY MOST
 REMOTE AREA
 (2 GPM/SQ.FT. / 1001 SQ.FT.)
 (ELEV. @ HIGHEST HEAD = 92.12')
 (REMOTE AREA REDUCED PER NFPA 13 (2007) SECTION 11.2.3.2.3.1)



FIRE SPRINKLER PLAN - NEW FERMENTATION STRUCTURE #3
 SCALE: 1/8"=1'

AREA PROTECTED: 2,279 SQ.FT.
 FINISH FLOOR ELEVATION : 83.5'
 COLOR CODE: WHITE

NOTE:
 HEAD COUNT AND AREA PROTECTED FOR THE NEW ADDITION ONLY
 TO THE LIMIT OF WORK LINE.

HYDRAULIC-SYSTEM
 THIS BUILDING IS PROTECTED
 BY A HYDRAULICALLY DESIGNED
 AUTOMATIC SPRINKLER SYSTEM.

LOCATION: FERMENTATION ADDITION

No. OF SPRINKLERS: 11
 (CALCULATED)

BASIS OF DESIGN:

- DENSITY (GPM/SQ.FT.) .20
- DESIGNED AREA OF DISCHARGE (SQ.FT.) 1001

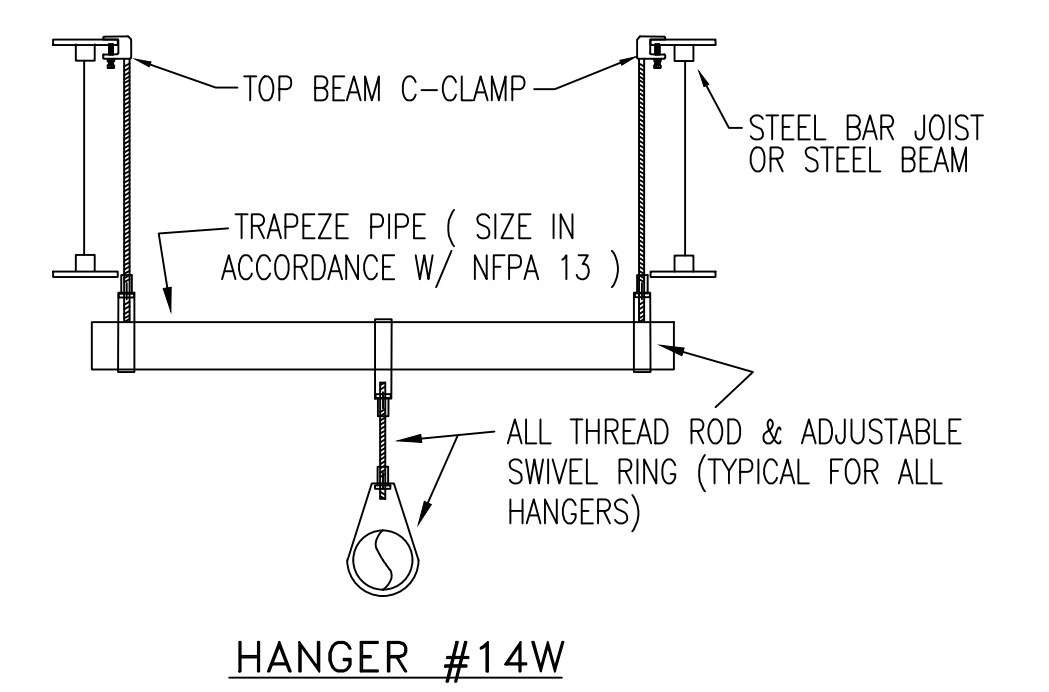
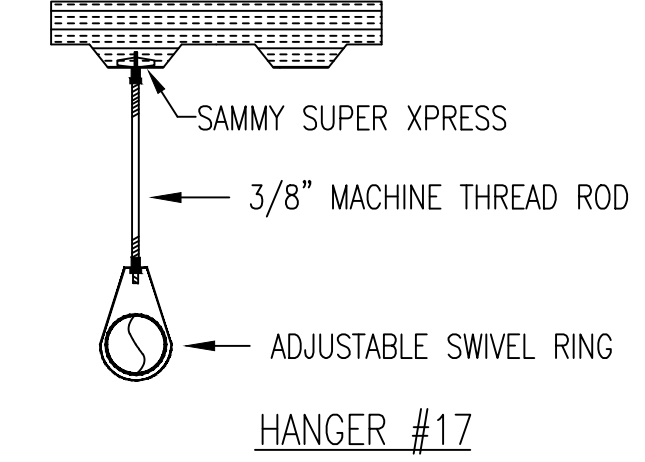
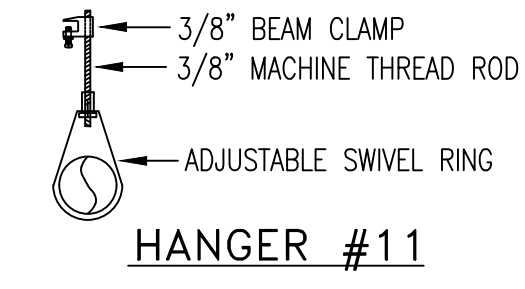
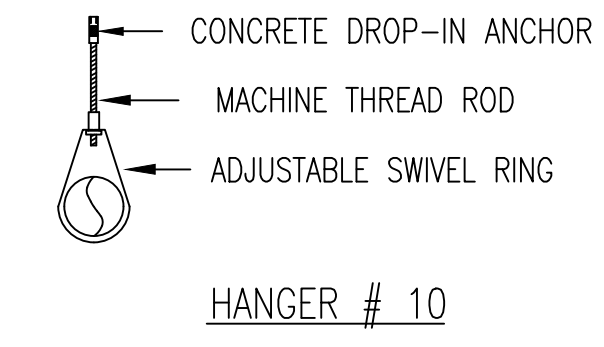
SYSTEM DEMAND:

- WATER FLOW RATE 322.33 GPM
- RESIDUAL PRESSURE AT THE BASE OF THE RISER 52.59 PSI

PRESSURE REMAINING= 25.07 PSI

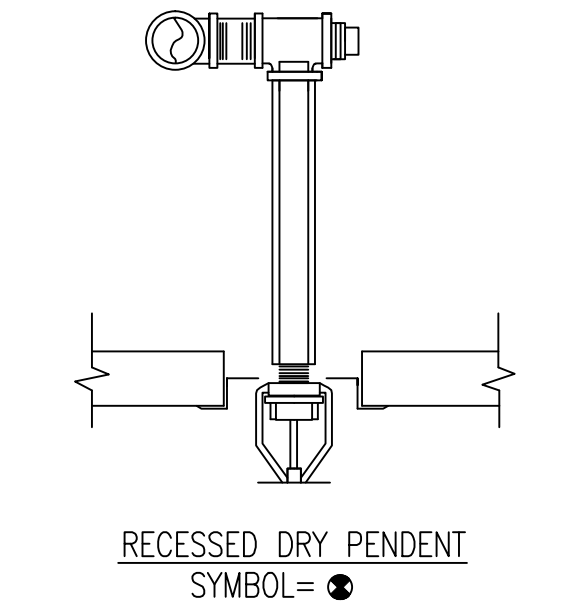
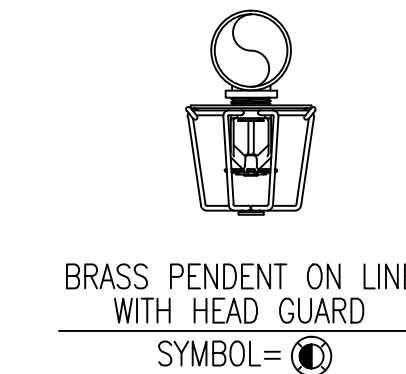
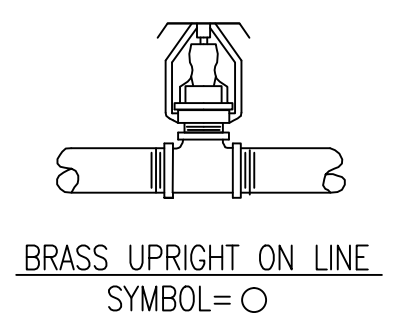
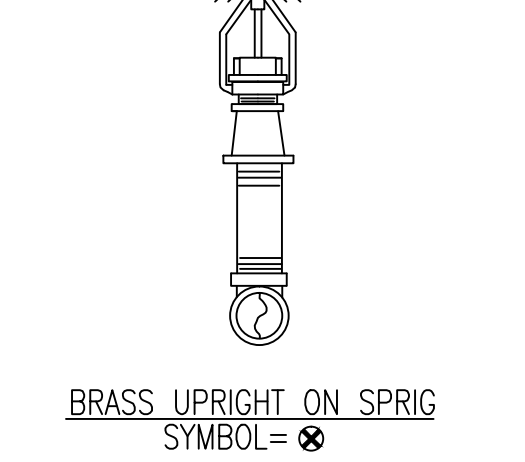
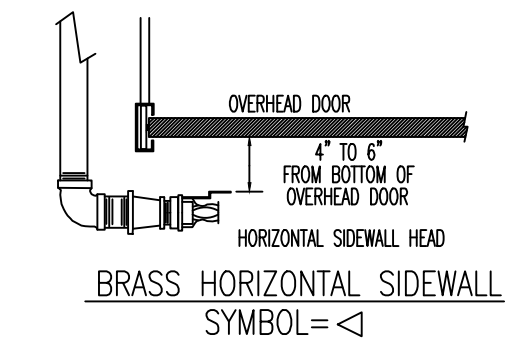
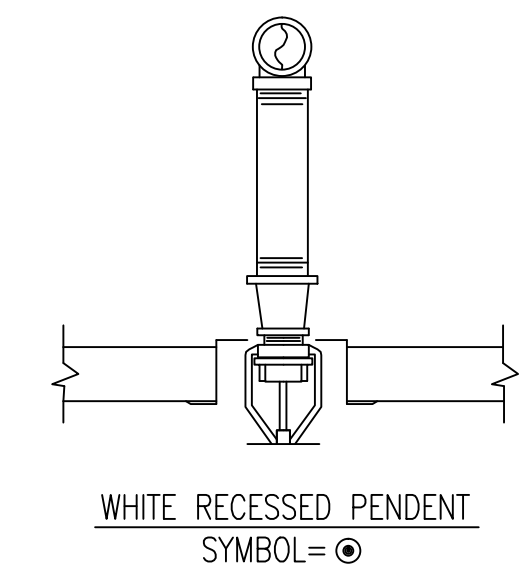
NEW TYCO
 MODEL TY-FRB"
 200'
 24
 3/4"
 BRASS PENDENT W/ HEAD GUARD
 K-FACTOR= 8.0
 SIN# TY4231
 SYMBOL= (ON LINE)

HYDRAULIC DATA NAMEPLATE
 TO BE MOUNTED AT SYSTEM RISER

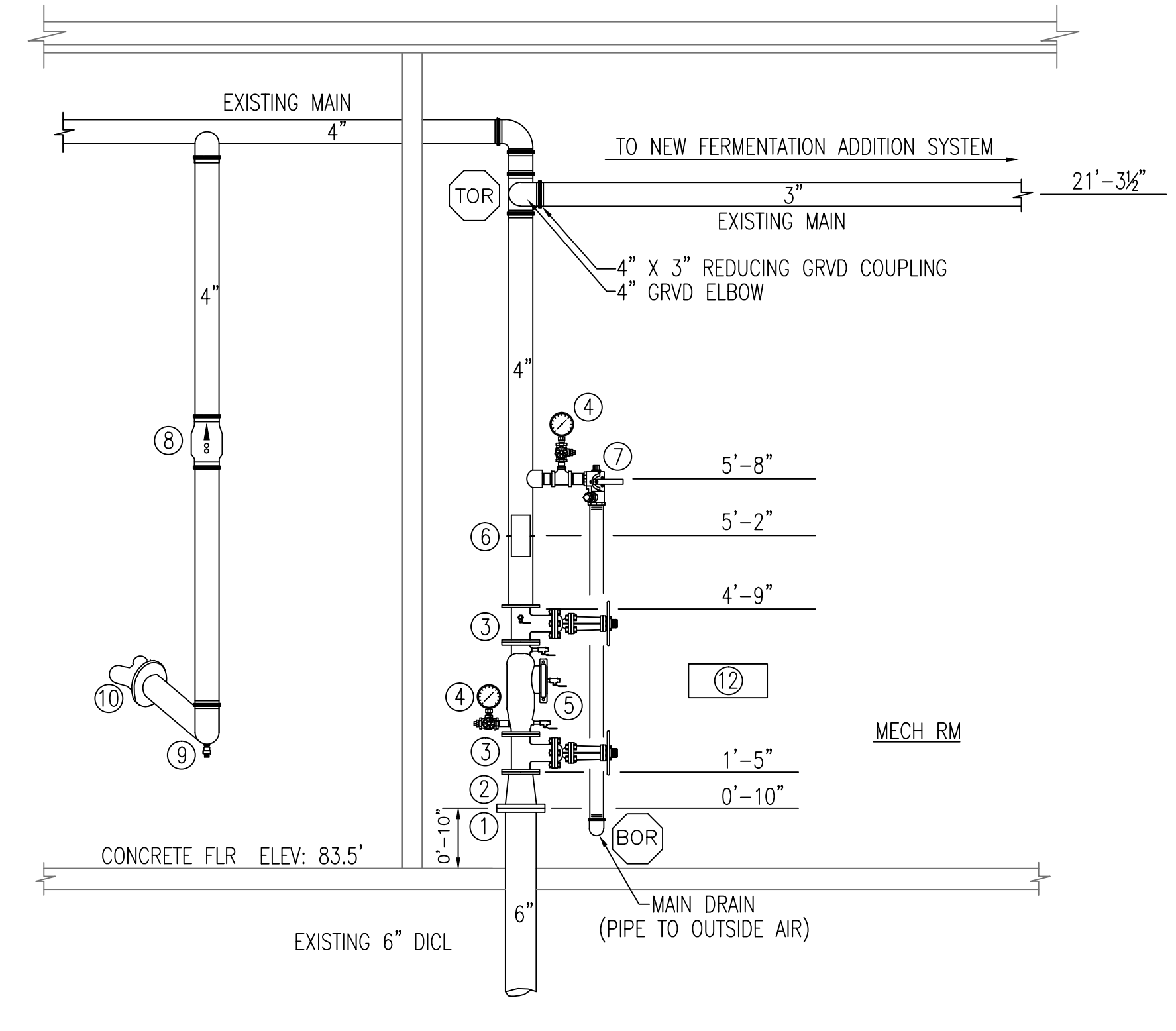


HANGER DETAILS
 NOT TO SCALE

ALL HANGERS TO BE PROVIDED AND
 INSTALLED AS PER NFPA #13 (2007)
 3/8" ROD FOR 1" TO 4" PIPE



SPRINKLER HEAD DETAILS
 NOT TO SCALE



EXISTING RISER DETAIL "B"
 NOT TO SCALE

EXISTING RISER LEGEND

- EXISTING 6" UNI-FLANGE (BY OTHERS)
- EXISTING 6" X 4" FLANGED CONCENTRIC REDUCER
- EXISTING 4" O,S&Y CONTROL VALVES WITH TAMPER SWITCH'S (N.O.)
- EXISTING WATER PRESSURE GAUGE (3/8" DIA.)
- EXISTING 4" AMES MODEL 2000 SS DOUBLE CHECK BACKFLOW PREVENTER
- EXISTING 4" POTTER VSR-F VANE TYPE FLOW SWITCH
- EXISTING 2" TEST & DRAIN VALVE (N.C.), PIPED TO OUTSIDE PIPED TO OUTSIDE
- EXISTING 4" GRVD CHECK VALVE FOR FIRE DEPARTMENT CONNECTION
- EXISTING 4" GRVD DRAIN ELL WITH 1/2" AUTO. BALL DRIP (FDC LINE)
- EXISTING 4" STORZ FDC WITH PLATE, CAP & CHAIN (MOUNTED ON EXTERIOR OF BLDG, SEE FLOOR PLAN FOR LOCATION)
- EXISTING 6" ELECTRIC BELL, MOUNTED ON EXTERIOR OF BUILDING BY OTHERS. (SEE FLOOR PLAN FOR LOCATION)
- EXISTING SPARE HEAD BOX (6) W/ WRENCH (ALL ELECTRICAL WIRING BY OTHERS)

SCOPE OF WORK
 EXTEND EXISTING WET SPRINKLER SYSTEM TO PROTECT NEW 2014 ADDITIONS.
 SPRINKLER PROTECTION IN ALL OTHER PORTIONS OF THE EXISTING BUILDING
 TO REMAIN AS IS.

GENERAL NOTES

- EXISTING VALVE RISER ASSEMBLY AND ASSOCIATED PIPING TO REMAIN AS IS.
 ALL DIMENSIONS ARE SHOWN FOR GENERAL LOCATION OF SPRINKLER HEADS, PIPING MAY
 VARY TO SUIT ACTUAL INSTALLATION.
 ALL ELECTRICAL WIRING AND FIRE ALARM INSTALLATION DONE BY OTHERS.
- THE INSTALLATION OF HVLS (HIGH VOLUME LOW SPEED) FANS IN BUILDINGS EQUIPPED
 WITH SPRINKLERS, INCLUDING ESFR SPRINKLERS, SHALL COMPLY WITH THE FOLLOWING:
- THE MAXIMUM FAN DIAMETER SHALL BE 24 FT.
 - THE HVLS FAN SHALL BE CENTERED APPROXIMATELY BETWEEN FOUR ADJACENT SPRINKLERS
 - THE VERTICAL CLEARANCE FROM THE HVLS FAN TO SPRINKLER DEFLECTOR SHALL BE A MINIMUM OF 3'-0".
 - ALL HVLS FANS SHALL BE INTERLOCKED TO SHUT DOWN IMMEDIATELY UPON RECEIVING A WATERFLOW SIGNAL FROM THE ALARM SYSTEM IN ACCORDANCE WITH THE REQUIREMENTS OF NFPA 72.

OCCUPANCY DESCRIPTION AND CLASSIFICATION:

NEW FERMENTATION STRUCTURE #3: ORDINARY GROUP II
 NEW PRODUCTION AREA: ORDINARY GROUP I
 OFFICE, BREAK RM'S, CORRIDOR'S: LIGHT HAZARD

SYMBOL LEGEND

- = MECHANICAL TEE
- OH/D = OVER-HEAD DOOR
- LP/D = LOW POINT DRAIN
- (N.C.) = NORMALLY CLOSED
- (N.O.) = NORMALLY OPEN
- ⊙ = HYDRAULIC REFERENCE POINTS
- DN = INDICATES VERTICAL PIPE DOWN
- RN = INDICATES VERTICAL PIPE UP
- RFN = ABOVE FINISH FLOOR
- BP/C = INDICATES BOTTOM OF ROOF PURLIN DN TO CENTERLINE OF PIPE.
- FF/C = INDICATES FINISH FLOOR UP TO CENTERLINE OF PIPE.
- INDICATES EXISTING FIRE SPRINKLER PIPE=
- INDICATES NEW FIRE SPRINKLER PIPE=
- ⊕ = PLUG
- ⊔ = GROOVED COUPLING
- ⊓ = GROOVED CAP
- ⊔ = VALVE RISER LOCATION
- ⊕ = DRAIN VALVE
- ⊕ = HANGER LOCATION
- ⊕ = HEAD GUARD
- ⊕ = 45° ELLS
- ⊕ = TRAPEZE HANGER

"SHOP DRAWING"

GENERAL NOTES	DATE	REVISIONS	REQUIRED APPROVALS	OWNER	FIRE SPRINKLER PLANS & DETAILS
NEW SPRINKLER SYSTEM INSTALLATION TO COMPLY WITH NFPA 13 PAMPHLET (2007 EDITION).			OWNER	ALLAGASH BREWING COMPANY	FIRE SPRINKLER PLANS & DETAILS
NEW BRANCH LINE PIPING (1" TO 2") TO BE BLACK SCHEDULE 40 JOINED BY THREADED DUCTILE IRON FITTINGS.			STATE FIRE MARSHAL	(2014 FERMENTATION & PRODUCTION ADDITIONS)	DWG. NO. 2 OF 2
NEW BRANCH LINE PIPING (1 1/2" TO 2") TO BE BLACK SCHEDULE 10 WITH WELDED OUTLETS & GROOVED ENDS JOINED BY MECH COUP.			PORTLAND FIRE DEPARTMENT	50 INDUSTRIAL WAY PORTLAND, ME. 04103	JOB NUMBER AU-5227-14
NEW MAIN PIPING (2 1/2" & 3") TO BE BLACK SCHEDULE 10 WITH WELDED OUTLETS & GROOVED ENDS JOINED BY MECH COUP.			DRAWN BY TTPP NICET LEVEL III CERT.# 100854	CONTRACT WITH: LANDRY-FRENCH CONSTRUCTION	SCALE AS SHOWN
OWNER TO PROVIDE SUFFICIENT HEAT THROUGHOUT NEW ADDITIONS TO PREVENT FREEZING OF WATER FILLED SPRINKLER PIPING AND EQUIPMENT. (MIN. 40° F)			CHECKED BY WAF NICET LEVEL III CERT.# 095574	EASTERN FIRE PROTECTION AUBURN/LEWISTON INDUSTRIAL AIRPARK, AUBURN, MAINE 04210	DATE 12/1/14
			CONTRACTOR LICENSE # 101		
			CONTRACTOR RMS # 368		