

DRAWN BY:
GABRIELLE RUSSELL, LEED AP
PROJECT DESIGNER / PROJECT COORDINATOR
LANGFORD AND LOW
MASTER OF ARCHITECTURE, TULANE UNIVERSITY
BACHELOR OF ARCHITECTURE, TULANE UNIVERSITY

REVIEWED BY
-

JOB NUMBER
1028

DESIGN, DRAWINGS, ELECTRONIC FILES, PHOTOS AND RELATED INFORMATION ARE PROPERTY OF LANGFORD AND LOW, INC. AND SHALL NOT BE REPLICATED OR COPIED WITHOUT THE OWNER'S WRITTEN CONSENT.

DRAWING STATUS

- OFFICE REVIEW
- CLIENT REVIEW
- PERMIT SET
- BID / ESTIMATING SET
- CONTRACT DRAWINGS
- CONSTRUCTION SET

CONSULTANTS

STRUCTURAL: ASSOCIATED DESIGN PARTNERS
MECHANICAL: -
ELECTRICAL: -
LANDSCAPE: -
CODE: -
DESIGN: LANGFORD AND LOW

LICENSED PROFESSIONAL'S SEAL

PROJECT NAME & LOCATION

**ALLAGASH BREWERY
Addition**
50 INDUSTRIAL WAY
PORTLAND, MAINE

DRAWING TITLE

**COVER / PROJECT
INFO. SHEET**

DATE

January 3, 2011

REVISIONS

REVISION #:
DATE:
DESCRIPTION:

REVISION #:
DATE:
DESCRIPTION:

REVISION #:
DATE:
DESCRIPTION:

SCALE

NOT TO SCALE

SHEET NUMBER

A0.0

ALLAGASH BREWERY - ADDITION

50 INDUSTRIAL WAY, PORTLAND, MAINE

PROJECT LOCATION MAP:



LIST OF DRAWINGS:

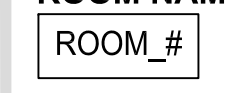


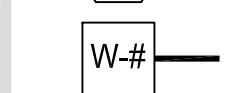


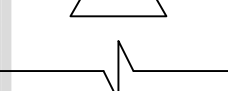
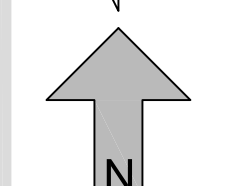

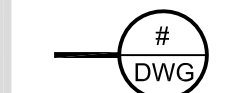



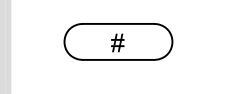

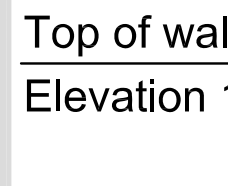
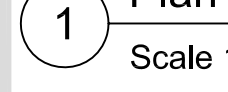




- A 0.0 COVER SHEET
- A 0.1 Abbreviations, Legends, + general notes
- A 1.1 (omitted)
- A 2.1 Foundation & 1st Floor Plans
- A 2.3 Framing & Roof Plans
- A 3.1 Elevations & Sections
- A 3.2 Elevations & Sections
- A 3.3 Elevations & Sections
- A 4.1 (omitted)
- A 5.1 (omitted)
- A 6.1 Details

- S 3.1 Foundation Details
- S 3.2 Framing Details
- S 3.3 Framing Details

PROJECT TEAM:

- Design: Langford and Low
- Structural Engineering: Associated Design Partners
- Construction Management: Langford and Low
- Mechanical Engineer / Consultant:
- Furniture / Office Systems:
- Construction: Langford and Low



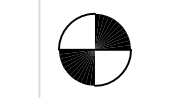
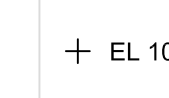
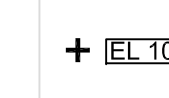
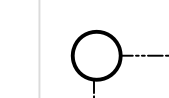

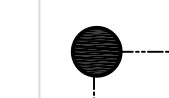

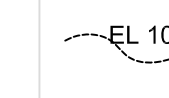

GENERAL SYMBOLS:

- ROOM NAME**
 = ROOM TAG
 = DOOR TAG
 = WINDOW TAG
 = WALL / PARTITION TYPE
 = CENTER LINE
 = REVISION TAG
 = BREAK LINE
 = NORTH ARROW
MATCH LINE
 = MATCH LINE
 = DETAIL TAG
 = SECTION TAG
 = ELEVATION TAG
 = NOTE TAG (same page)
 = EQUIPMENT TAG
 = DIMENSION LINE
 = ELEVATION LINE
 = DRAWING TITLE / SCALE
 = COLUMN LINE/GRID TAG
 = HIDDEN, FUTURE, OR EXISTING CONSTRUCTION
 = OVERHEAD (dashed)
 = INDICATES DIRECTION OF PITCH













ABBREVIATIONS:

- AFF = ABOVE FINISHED FLOOR
 EIFS = EXTERIOR INSULATION & FINISH SYSTEM
 GWB = GYPSUM WALL BOARD
 OSB = ORIENTED STRAND BOARD
 WWM = WELDED WIRE MESH
 PSI = POUNDS PER SQUARE INCH
 SF = SQUARE FOOT
 SY = SQUARE YARD
 LF = LINEAR FOOT
 WP = WEATHERPROOF
 GFI = GROUND FAULT INTERRUPT
 IS = ISOLATED GROUND
 S = SWITCH
 XP = EXPLOSION PROOF
 H = HUMIDITY
 P = PRESSURE
 T = TEMPERATURE
 PTD = PAINTED
 RH = RIGHT HAND
 LH = LEFT HAND
 RHR = RIGHT HAND REVERSE
 LRH = LEFT HAND REVERSE

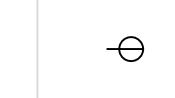
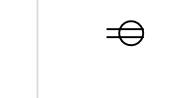




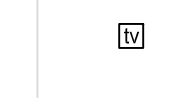
SITework SYMBOLS:

-  = PROPERTY LINE
 = TREE (varying sizes)
 = BENCHMARK
 = SOIL BORING TAG
 = EXISTING ELEVATION TAG
 = NEW (FIN.) ELEVATION TAG
 = EXISTING PROPERTY CORNER TAG
 = NEW PROPERTY CORNER TAG
 = EXISITING CONTOUR
 = NEW (FINISH) CONTOUR
 = SURFACE DRAINAGE (ditch or swail / centerline)
 = FIRE HYDRANT








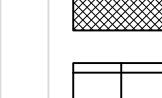

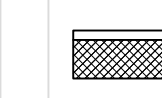



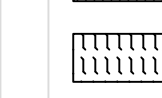
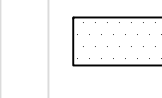

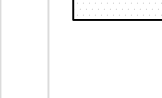


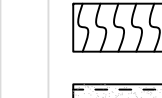
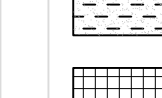

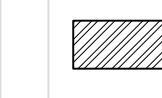












LIFE SAFETY SYMBOLS:

-  = SMOKE DETECTOR - INTERCONNECTED
 = HORN / STROBE UNIT
 = VISUAL STROBE UNIT
 = EMERGENCY LIGHT (2 lamp) INTERCONNECTED
 = EMERGENCY LIGHT (1 lamp) INTERCONNECTED
 = FIRE ALARM PULL STATION
 = FIRE EXTINGUISHER
 = EXIT SIGN (with direction indicator)
 = KNOX BOX
 = MAGNETIC HOLD OPEN (device for rated doors)
 = ELECTRIC DOOR OPENER (mounted to building)
 = INDICATES ROOM SF, SF PER PERSON # OF OCCUPANTS ALLOW

CONDUIT, WIRING, & OUTLET SYMBOLS:

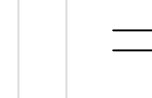
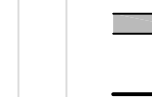
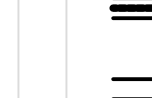


-  = SINGLE RECEPTACLE
 = DUPLEX RECEPTACLE
 = QUAD. RECEPTACLE (indicate Ground Fault Interrupt, Isolated Ground, WeatherProof)
 = CLOCK RECEPTACLE
 = DATA OUTLET (CAT 6)
 = TELEPHONE (CAT 3)
 = ELECTRIC THERMOSTAT

HATCH LEGEND:

- SITework**
 = EARTH
 = ROCK
 = GRAVEL FILL (COARSE)
 = FINE POROUS FILL
MASONRY
 = BRICK
 = GLAZED BRICK
 = CMU
 = GLAZED CMU
 = GLASS UNIT MASONRY
 = CUT STONE
 = FIRE BRICK
 = CAST STONE
CONCRETE
 = CAST-IN-PLACE CONCRETE
 = PRECAST CONCRETE
 = CEMENTITIOUS TOPPINGS
 = GROUT
THERMAL & MOISTURE PROTECTION
 = BATT / FIBROUS INSULATION
 = FOAM INSULATION
 = RIGID INSULATION BOARD
 = LOOSE FILL INSULATION
 = EIFS
 = FIBROUS FIRE SAFING
METAL
 = STEEL
 = ALUMINUM
 = ORNAMENTAL METAL
 = WELDING
GLAZING
 = GLASS
 = PLASTIC
WOOD
 = CONTINUOUS ROUGH WOOD FRAMING
 = WOOD BLOCKING
 = PLYWOOD (ROUGH)
 = PLYWOOD (FOR ARCH. WOODWORK)
 = PARTICAL BOARD (ROUGH)
 = PARTICAL BOARD (FOR ARCH WOODWORK)
 = OSB

LEGEND:

WALLS + FINISH SYMBOLS

-  = EXISTING WALL
 = NEW WALL
 = FIRE RATED WALL
 = NEW GWB ON EXISTING STUDS
 = DEMOLITION

DRAWN BY:
 GABRIELLE RUSSELL, LEED AP
 PROJECT DESIGNER / PROJECT COORDINATOR
LANGFORD AND LOW
 MASTER OF ARCHITECTURE, TULANE UNIVERSITY
 BACHELOR OF ARCHITECTURE, TULANE UNIVERSITY

REVIEWED BY:
 -

JOB NUMBER
1028

DESIGN, DRAWINGS, ELECTRONIC FILES, PHOTOS AND RELATED INFORMATION ARE PROPERTY OF LANGFORD AND LOW, INC. AND SHALL NOT BE REPLICATED OR COPIED WITHOUT THE OWNER'S WRITTEN CONSENT.

DRAWING STATUS
 OFFICE REVIEW
 CLIENT REVIEW
 PERMIT SET
 BID / ESTIMATING SET
 CONTRACT DRAWINGS
 CONSTRUCTION SET

CONSULTANTS
 STRUCTURAL: ASSOCIATED DESIGN PARTNERS
 MECHANICAL: -
 ELECTRICAL: -
 LANDSCAPE: -
 CODE: -
 DESIGN: LANGFORD AND LOW

LICENSED PROFESSIONAL'S SEAL

PROJECT NAME & LOCATION
ALLAGASH BREWERY Addition
 50 INDUSTRIAL WAY
 PORTLAND, MAINE

DRAWING TITLE
SYMBOLS + ABBREVIATIONS

DATE
January 3, 2011

REVISIONS
 REVISION #: DATE: DESCRIPTION:
 REVISION #: DATE: DESCRIPTION:
 REVISION #: DATE: DESCRIPTION:

SCALE
 NOT TO SCALE

SHEET NUMBER
A0.1

DRAWN BY:
GABRIELLE RUSSELL, LEED AP
PROJECT DESIGNER / PROJECT COORDINATOR
LANGFORD AND LOW
MASTER OF ARCHITECTURE, TULANE UNIVERSITY
BACHELOR OF ARCHITECTURE, TULANE UNIVERSITY

REVIEWED BY

JOB NUMBER
1028

DESIGN, DRAWINGS, ELECTRONIC FILES, PHOTOS AND RELATED INFORMATION ARE PROPERTY OF LANGFORD AND LOW, INC. AND SHALL NOT BE REPLICATED OR COPIED WITHOUT THE OWNER'S WRITTEN CONSENT.

DRAWING STATUS

- OFFICE REVIEW
- CLIENT REVIEW
- PERMIT SET
- BID / ESTIMATING SET
- CONTRACT DRAWINGS
- CONSTRUCTION SET

CONSULTANTS

STRUCTURAL: ASSOCIATED DESIGN PARTNERS
MECHANICAL: -
ELECTRICAL: -
LANDSCAPE: -
CODE: -
DESIGN: LANGFORD AND LOW

LICENSED PROFESSIONAL'S SEAL

PROJECT NAME & LOCATION
ALLAGASH BREWERY Addition
50 INDUSTRIAL WAY
PORTLAND, MAINE

DRAWING TITLE
Foundation & 1st Floor Plans

DATE
AUGUST 31, 2010

REVISIONS

REVISION #	DATE	DESCRIPTION

SCALE

AS NOTED

SHEET NUMBER

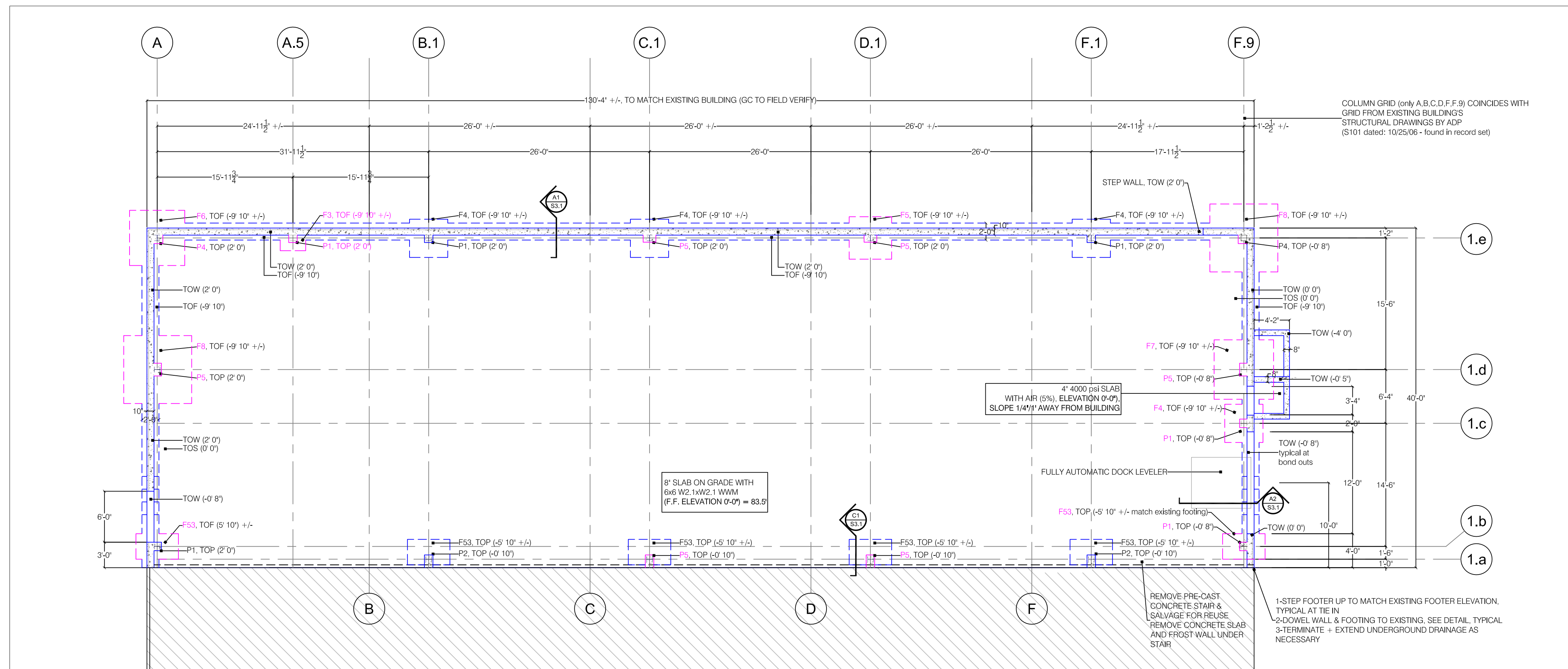
A2.1

FOOTING SCHEDULE		
IDENTIFICATION	SIZE	BOTTOM REINFORCING
F3	3'-0" x 3'-0" x 1'-2"	(4) #5's E.W.
F4	4'-6" x 4'-6" x 1'-2"	(5) #5's E.W.
F5	5'-0" x 5'-0" x 1'-2"	(6) #5's E.W.
F6	6'-6" x 6'-6" x 1'-2"	(6) #6's E.W.
F7	7'-0" x 7'-0" x 1'-2"	(10) #5's E.W.
F53	3'-0" x 5'-0" x 1'-0"	(6) #5's S.W. (4) #5's L.W.
F8	8'-0" x 8'-0" x 1'-2"	(7) #5's each way, top & bottom

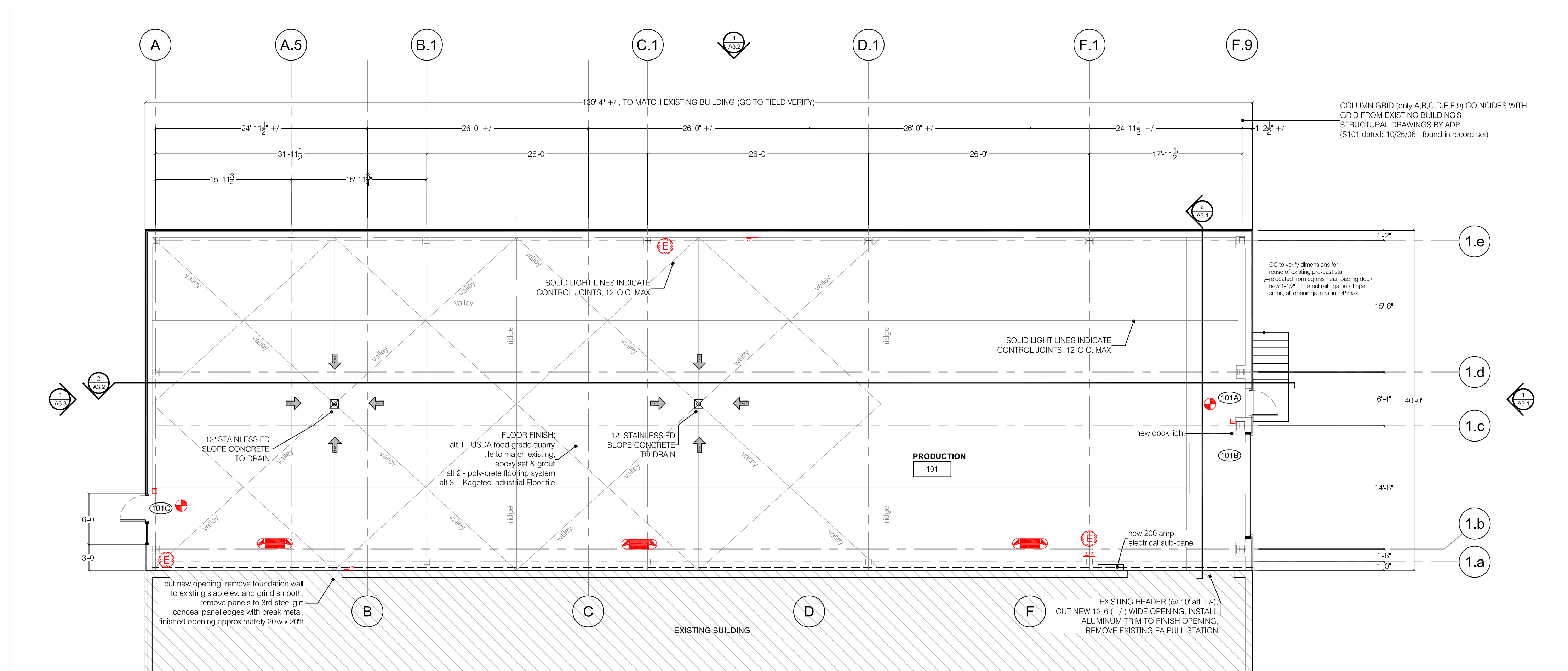
PIER SCHEDULE		
IDENTIFICATION	SIZE	BOTTOM REINFORCING
P1	12" x 12"	(4) #6's VERT, #3 TIES AT 12" O.C.
P2	12" x 18"	(4) #5 U BARS, #3 TIES AT 12" O.C.
P4	16" x 16"	(4) #6 U BARS, #4 TIES AT 6" O.C.
P5	12" x 18"	(4) #5 U-bars, #4 ties at 6" o.c

NOTES:

- TOF indicates Top of Footing
- TCC indicates Top of Concrete
- Top of concrete and top of footing elevations are referenced from finished floor elevation = (+ 83'-6") = 0'-0"
- Relocate existing underdrain near line 1.a to allow for new footing installation
- F.F. indicates finished floor
- See S302 for general notes and specifications
- Footings are centered on column grids, UNO
- G.C. verify required width of all foundation wall bond-outs for door openings prior to construction.
- Extend insulation at exterior concrete pads 4' beyond edge of concrete, typical.



1 Foundation Plan
Scale 1/8"=1'



2 1st Floor Plan
Scale 1/8"=1'

PERFORMANCE CRITERIA

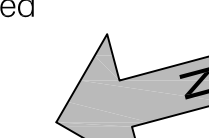
General:
Match existing equipment and fixture types

Fire Protection:
Extend existing sprinkler system into new space to meet all state and local codes

HVAC & Plumbing:
Extend existing overhead plumbing + electrical for brewery equipment
Utilize process energy and alternate energy sources where possible
Air to air heat exchanger
AWI Stainless steel 12" manufacturing floor drains (3), pitch concrete to drains, concrete to slope 1/4" per 1'
(3) 4" roof drains, insulated
Natural gas fired hvac unit, AC capable (utilize glycol from beer making process)
(2) exterior hose bibs
Sealed engineering drawings
Mechanical permits
Plumbing permits

Electrical:
Fluorescent T5 high-bay lights (10) with daylight + occupancy sensors
Exit and emergency lighting as necessary per code
Exterior full cutoff wall packs as necessary to meet code requirements
Exterior door lights (full cutoff fixtures) at (2) exit doorways
Receptacles as necessary for convenience
Power & dock light at new loading dock
Fire alarm devices added or relocated as necessary
Sealed engineering drawings
Electrical Permits

Misc. Equipment:
Fully automatic dock leveler, see plan for location - 6'x8' pentlift hd6825 hydraulic 25,000 lb capacity, pour in place pan unit, 20' lip, weatherstripped



DRAWN BY:
GABRIELLE RUSSELL, LEED AP
PROJECT DESIGNER / PROJECT COORDINATOR
LANGFORD AND LOW
MASTER OF ARCHITECTURE, TULANE UNIVERSITY
BACHELOR OF ARCHITECTURE, TULANE UNIVERSITY

REVIEWED BY

JOB NUMBER
1028

DESIGN, DRAWINGS, ELECTRONIC FILES, PHOTOS AND RELATED INFORMATION ARE PROPERTY OF LANGFORD AND LOW, INC. AND SHALL NOT BE REPLICATED OR COPIED WITHOUT THE OWNER'S WRITTEN CONSENT.

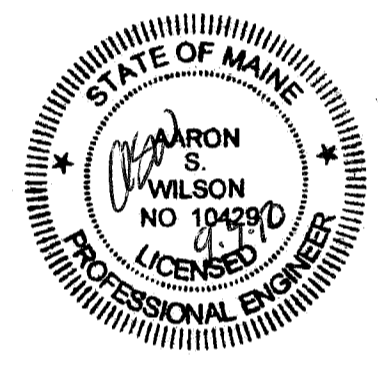
DRAWING STATUS

- OFFICE REVIEW
- CLIENT REVIEW
- PERMIT SET, FRAMING ONLY
- BID / ESTIMATING SET
- CONTRACT DRAWINGS
- CONSTRUCTION SET

CONSULTANTS

STRUCTURAL: ASSOCIATED DESIGN PARTNERS
MECHANICAL: -
ELECTRICAL: -
LANDSCAPE: -
CODES: -
DESIGN: LANGFORD AND LOW

LICENSED PROFESSIONAL'S SEAL



PROJECT NAME & LOCATION

ALLAGASH BREWERY
Addition
50 INDUSTRIAL WAY
PORTLAND, MAINE

DRAWING TITLE

Framing & Roof Plans

DATE

SEPTEMBER 9, 2010

REVISIONS

REVISION #	DATE	DESCRIPTION

SCALE

AS NOTED

SHEET NUMBER

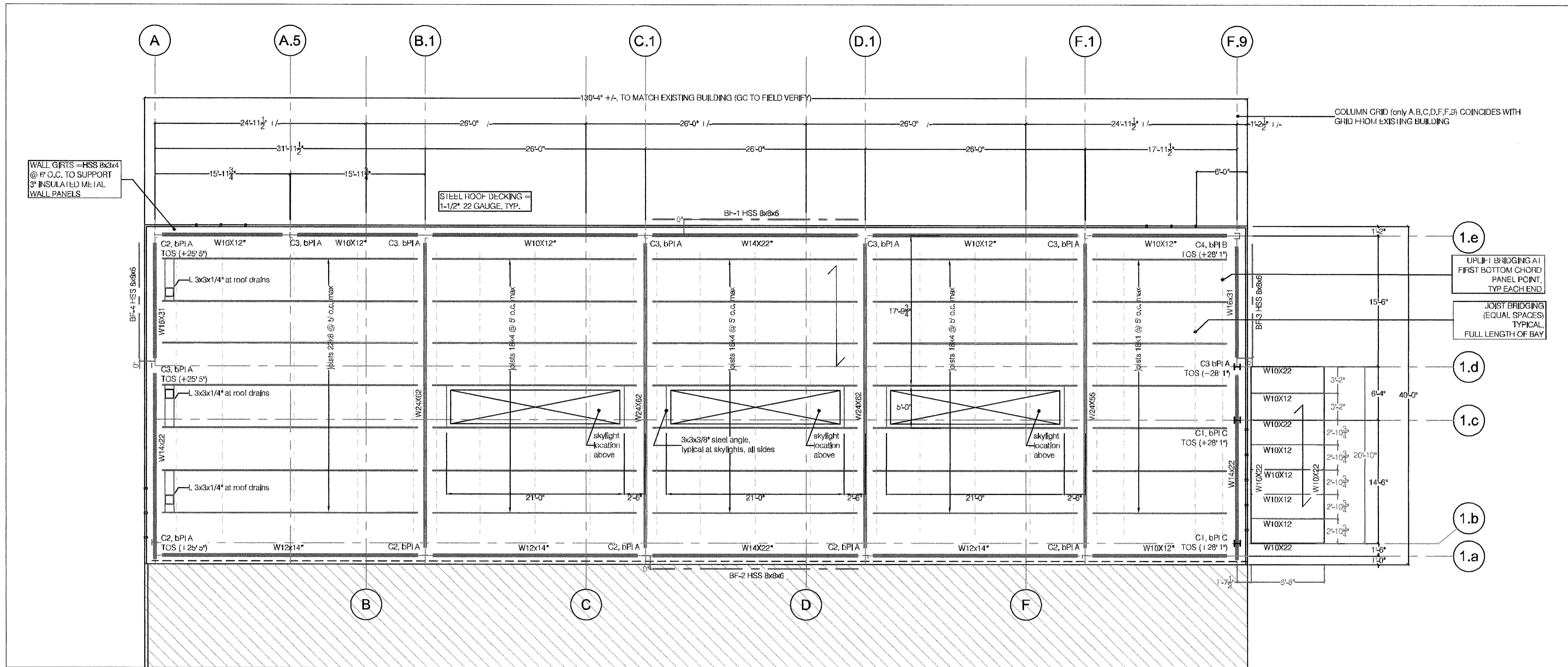
A2.3

IDENTIFICATION	SIZE	NOTES
C1	W8X48	
C2	W8X31	
C3	W8X40	
C4	HSS 8x8x3/8	

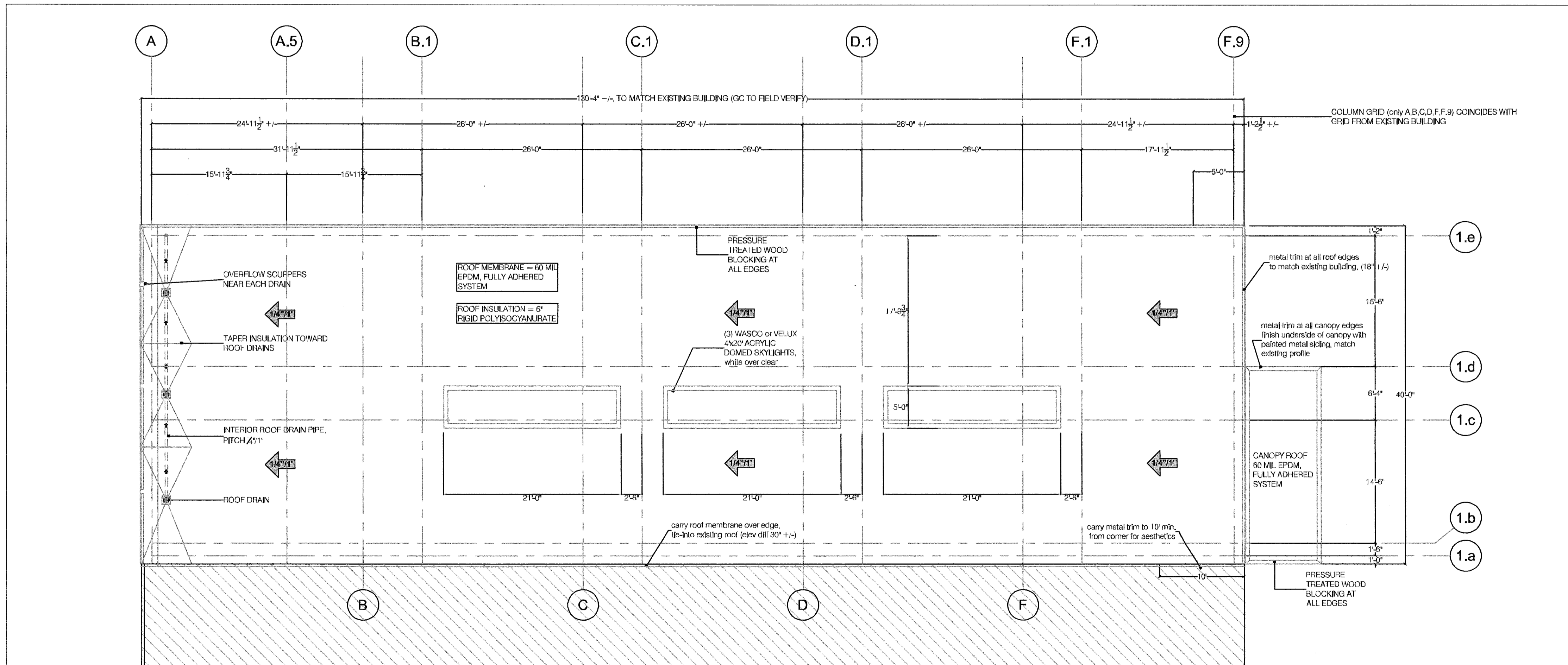
IDENTIFICATION	SIZE	NOTES
(b Pl) A	9"X9"X3/4"	
(b Pl) B	12"X13"X3/4"	
(b Pl) C	9"X10"X3/4"	

NOTES:

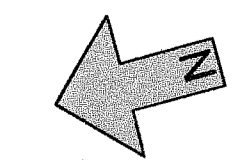
- Indicates span direction of 1-1/2" 22 gauge type B painted steel roof decking. 5/8" puddle welds in 3/4 pattern. (4) #10 tek sidelap screw per span.
- TOS (+X'-Y") indicates top of bearing steel referenced from finished first floor elevation 0'-0" = 83.5'. Top of bearing steel designate at column centerline typical, unless noted otherwise (UNO).
- (*) Indicates beam installed at open web joist height.
- Edge of deck to be exterior edge of perimeter beam flange, typical UNO.
- Contractor verify all dimensions noted (+/-) prior to construction.



1 Roof Framing Plan
Scale 1/8"=1'



2 Roof Plan
Scale 1/8"=1'



DRAWN BY:
GABRIELLE RUSSELL, LEED AP
PROJECT DESIGNER / PROJECT COORDINATOR
LANGFORD AND LOW
MASTER OF ARCHITECTURE, TULANE UNIVERSITY
BACHELOR OF ARCHITECTURE, TULANE UNIVERSITY

REVIEWED BY
-

JOB NUMBER
1028

DESIGN, DRAWINGS, ELECTRONIC FILES, PHOTOS AND RELATED INFORMATION ARE PROPERTY OF LANGFORD AND LOW, INC. AND SHALL NOT BE REPLICATED OR COPIED WITHOUT THE OWNER'S WRITTEN CONSENT.

DRAWING STATUS

- OFFICE REVIEW
- CLIENT REVIEW
- PERMIT SET
- BID / ESTIMATING SET
- CONTRACT DRAWINGS
- CONSTRUCTION SET

CONSULTANTS

STRUCTURAL: ASSOCIATED DESIGN PARTNERS
MECHANICAL: -
ELECTRICAL: -
LANDSCAPE: -
CODE: -
DESIGN: LANGFORD AND LOW

LICENSED PROFESSIONAL'S SEAL

PROJECT NAME & LOCATION

**ALLAGASH BREWERY
Addition
50 INDUSTRIAL WAY
PORTLAND, MAINE**

DRAWING TITLE

Elevations & Sections

DATE

SEPTEMBER 24, 2010

REVISIONS

REVISION #:
DATE:
DESCRIPTION:

REVISION #:
DATE:
DESCRIPTION:

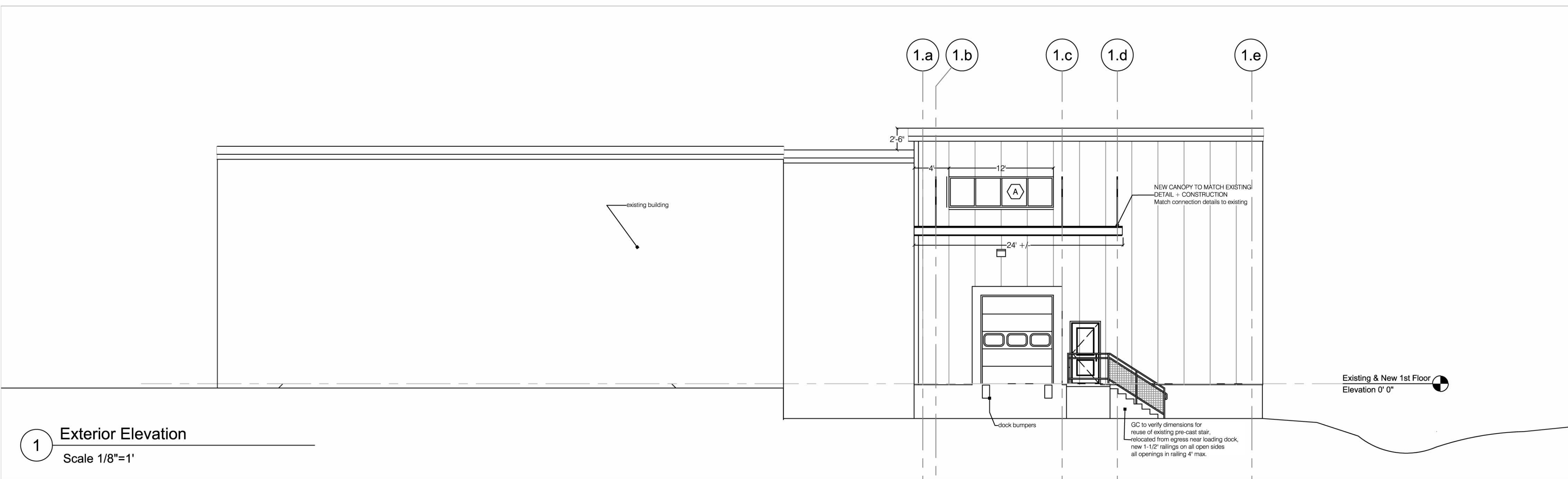
REVISION #:
DATE:
DESCRIPTION:

SCALE

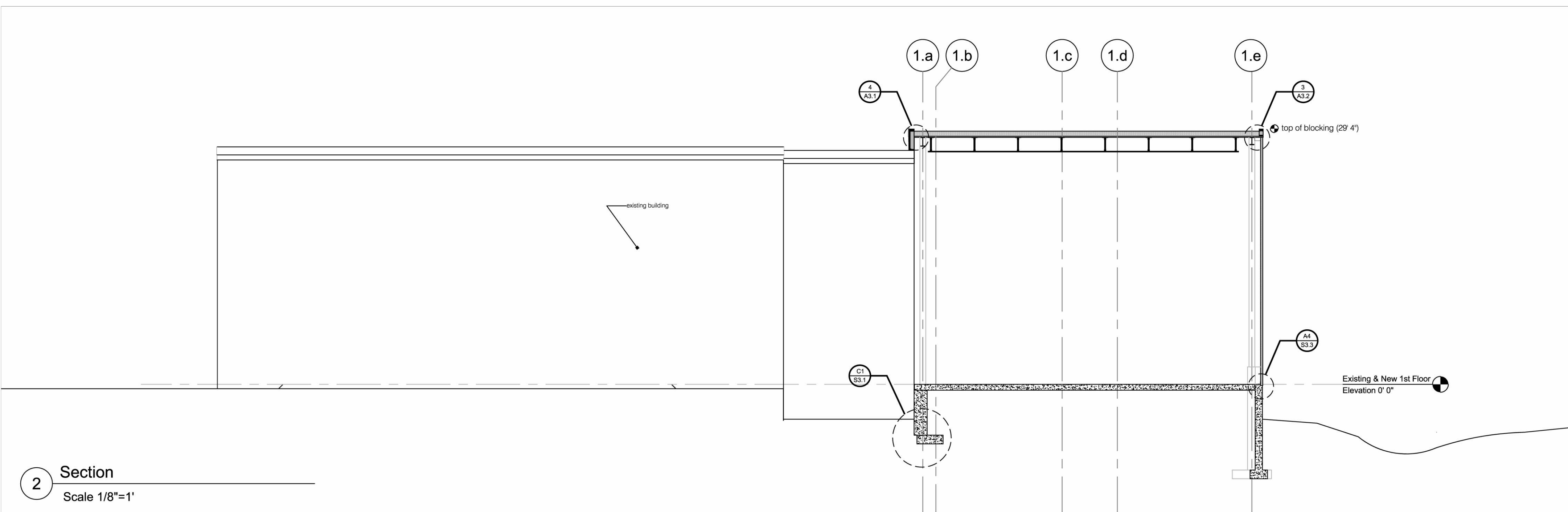
AS NOTED

SHEET NUMBER

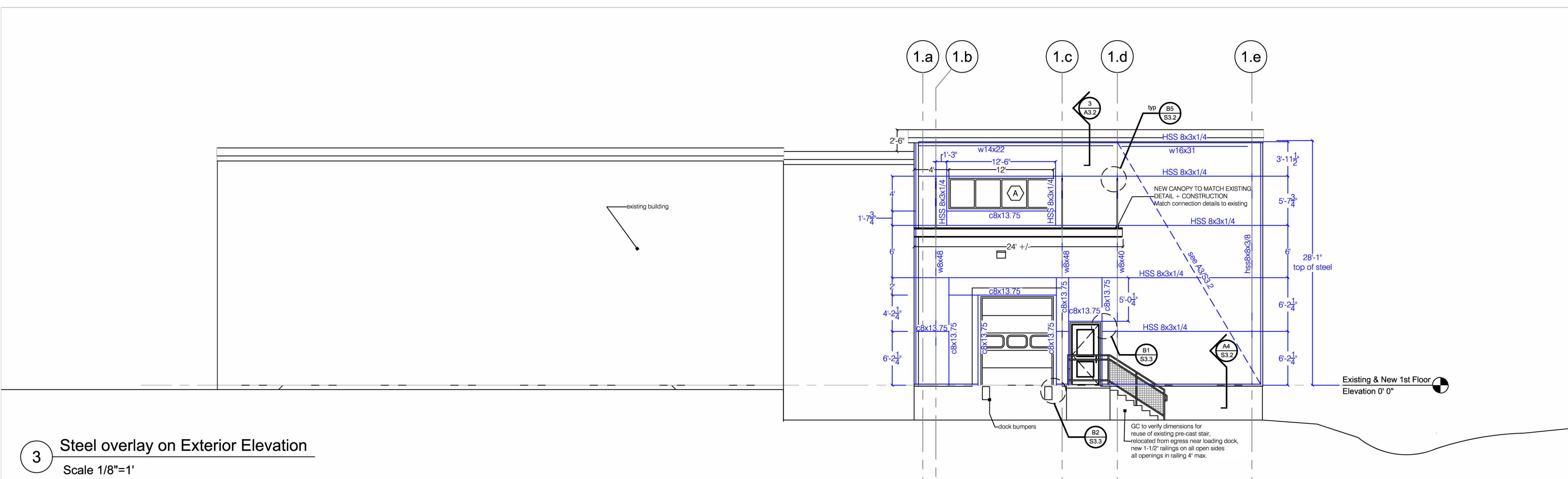
A3.1



1 Exterior Elevation
Scale 1/8"=1'



2 Section
Scale 1/8"=1'



3 Steel overlay on Exterior Elevation
Scale 1/8"=1'

DRAWN BY:
GABRIELLE RUSSELL, LEED AP
PROJECT DESIGNER / PROJECT COORDINATOR
LANGFORD AND LOW
MASTER OF ARCHITECTURE, TULANE UNIVERSITY
BACHELOR OF ARCHITECTURE, TULANE UNIVERSITY

REVIEWED BY
-

JOB NUMBER
1028

DESIGN, DRAWINGS, ELECTRONIC FILES, PHOTOS AND RELATED INFORMATION ARE PROPERTY OF LANGFORD AND LOW, INC. AND SHALL NOT BE REPLICATED OR COPIED WITHOUT THE OWNER'S WRITTEN CONSENT.

DRAWING STATUS

- OFFICE REVIEW
- CLIENT REVIEW
- PERMIT SET
- BID / ESTIMATING SET
- CONTRACT DRAWINGS
- CONSTRUCTION SET

CONSULTANTS

STRUCTURAL: ASSOCIATED DESIGN PARTNERS
MECHANICAL: -
ELECTRICAL: -
LANDSCAPE: -
CODE: -
DESIGN: LANGFORD AND LOW

LICENSED PROFESSIONAL'S SEAL

PROJECT NAME & LOCATION
ALLAGASH BREWERY Addition
50 INDUSTRIAL WAY
PORTLAND, MAINE

DRAWING TITLE
Elevations & Sections

DATE
SEPTEMBER 24, 2010

REVISIONS

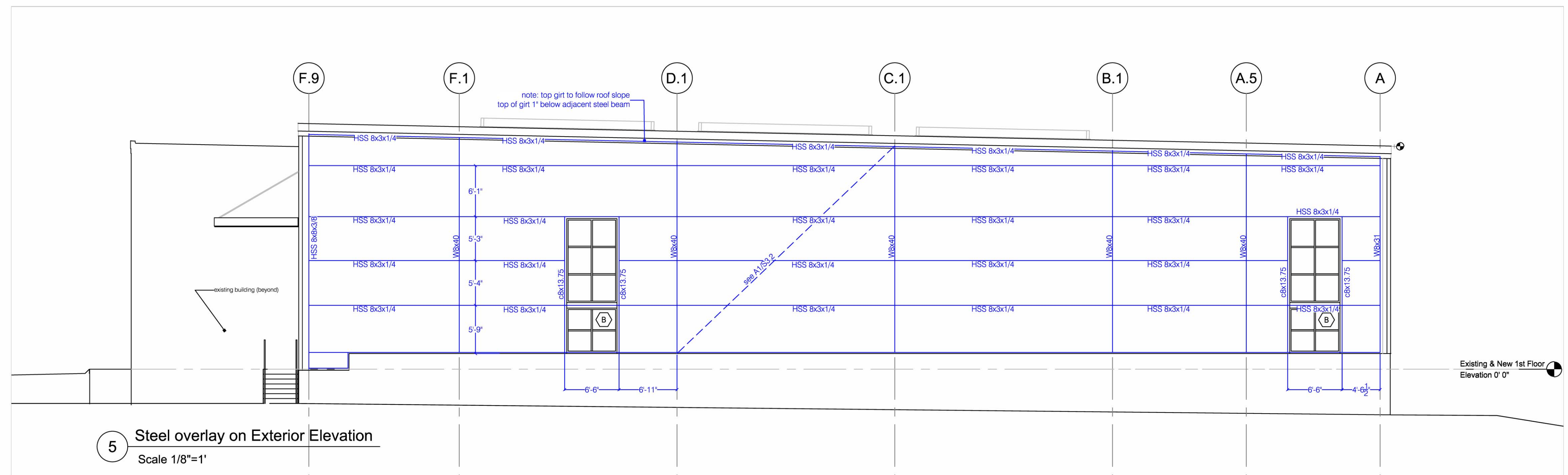
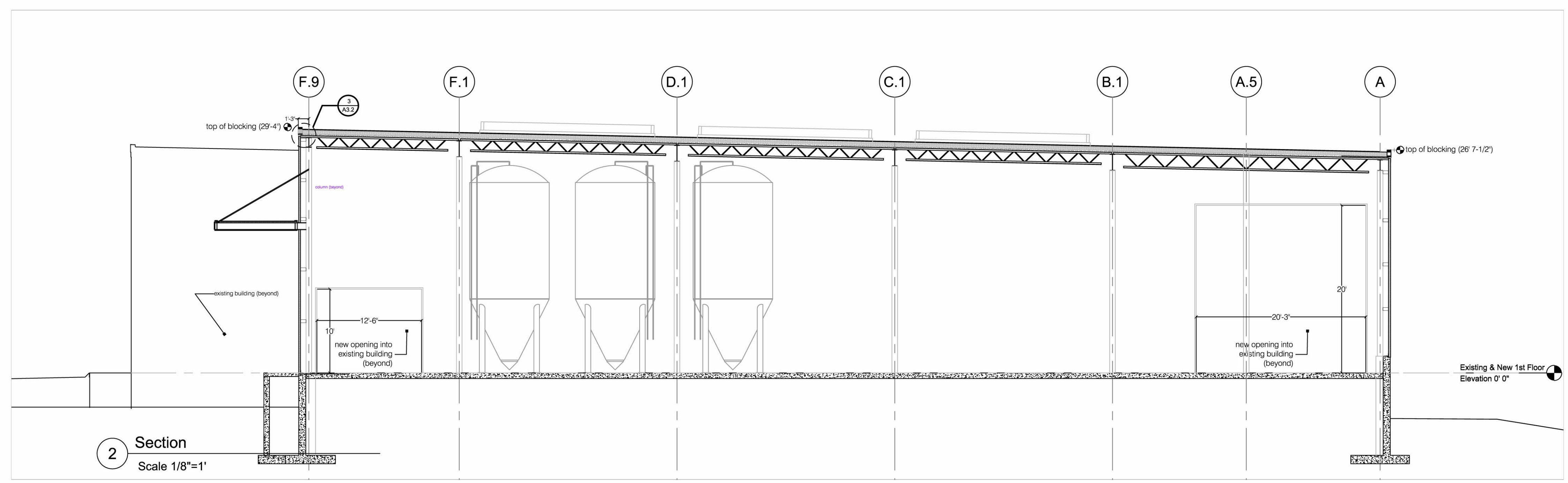
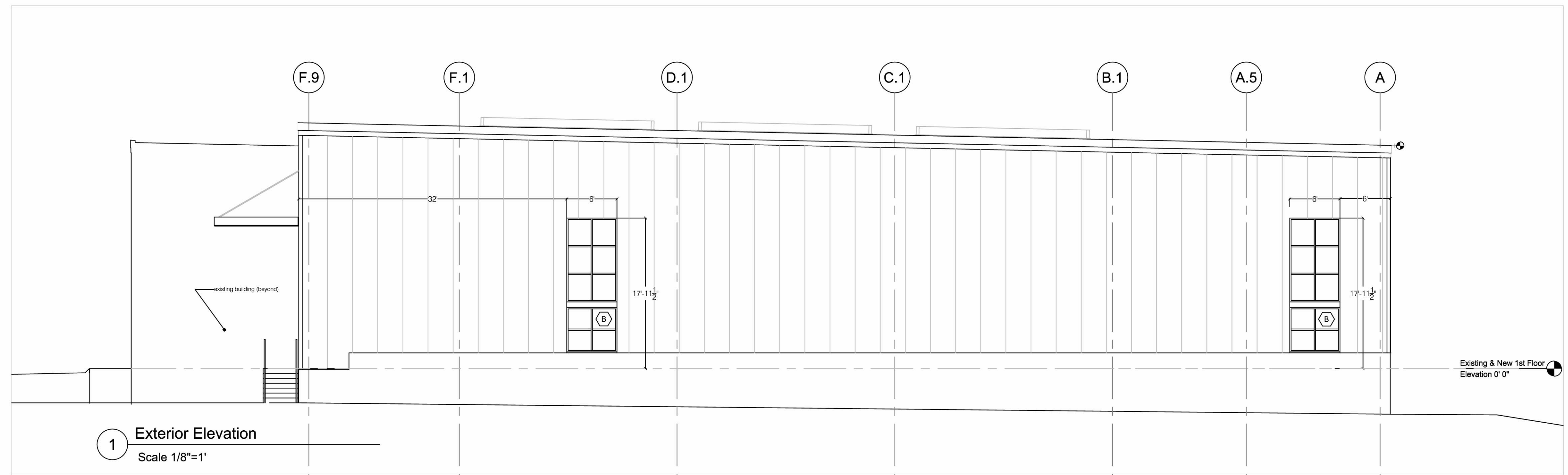
REVISION #
DATE:
DESCRIPTION:

REVISION #
DATE:
DESCRIPTION:

REVISION #
DATE:
DESCRIPTION:

SCALE
AS NOTED

SHEET NUMBER
A3.2



DRAWN BY:
GABRIELLE RUSSELL, LEED AP
PROJECT DESIGNER / PROJECT COORDINATOR
LANGFORD AND LOW
MASTER OF ARCHITECTURE, TULANE UNIVERSITY
BACHELOR OF ARCHITECTURE, TULANE UNIVERSITY

REVIEWED BY:
-

JOB NUMBER
1028

DESIGN, DRAWINGS, ELECTRONIC FILES, PHOTOS AND RELATED INFORMATION ARE PROPERTY OF LANGFORD AND LOW, INC. AND SHALL NOT BE REPLICATED OR COPIED WITHOUT THE OWNER'S WRITTEN CONSENT.

DRAWING STATUS
 OFFICE REVIEW
 CLIENT REVIEW
 PERMIT SET
 BID / ESTIMATING SET
 CONTRACT DRAWINGS
 CONSTRUCTION SET

CONSULTANTS
 STRUCTURAL: ASSOCIATED DESIGN PARTNERS
 MECHANICAL: -
 ELECTRICAL: -
 LANDSCAPE: -
 CODE: -
 DESIGN: LANGFORD AND LOW

LICENSED PROFESSIONAL'S SEAL

PROJECT NAME & LOCATION
ALLAGASH BREWERY Addition
 50 INDUSTRIAL WAY
 PORTLAND, MAINE

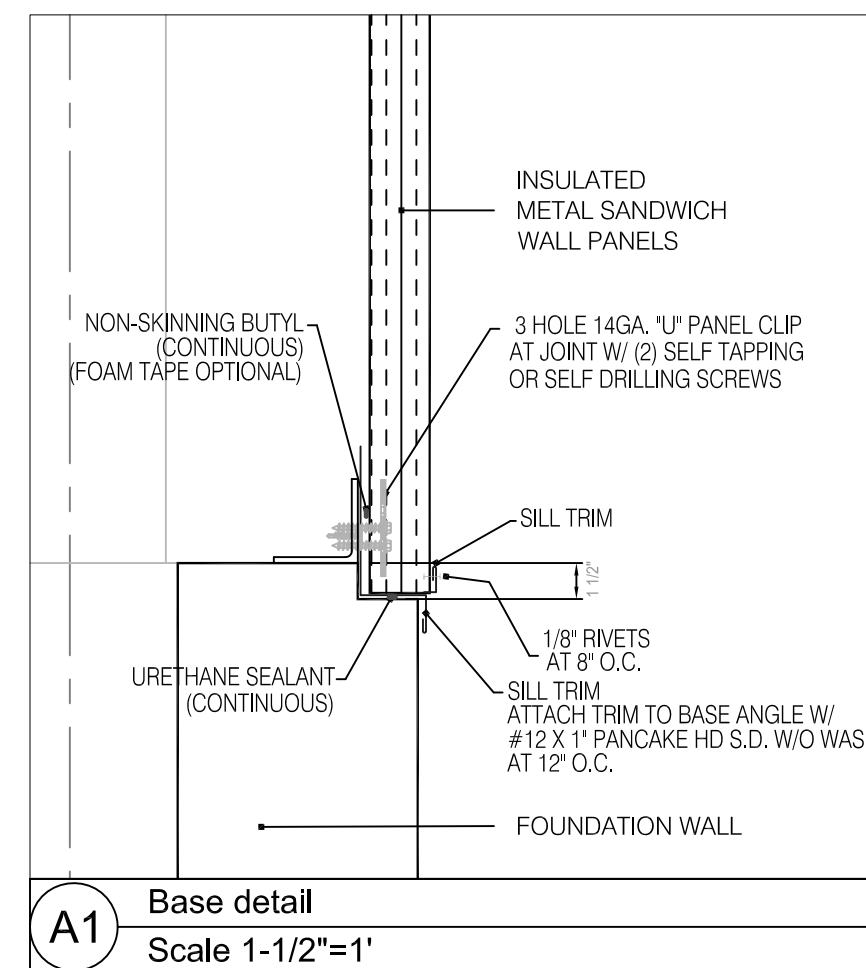
DRAWING TITLE
Details

DATE
JANUARY 3, 2011

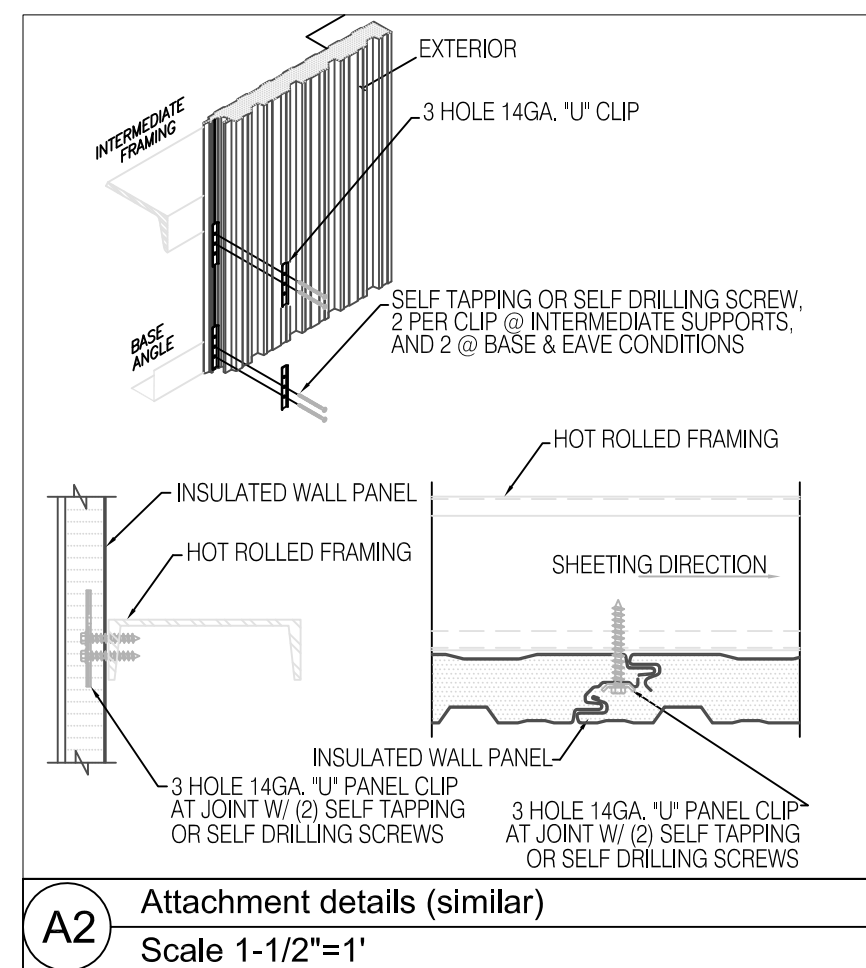
REVISIONS
 REVISION #: DATE: DESCRIPTION:
 REVISION #: DATE: DESCRIPTION:
 REVISION #: DATE: DESCRIPTION:

SCALE
AS NOTED

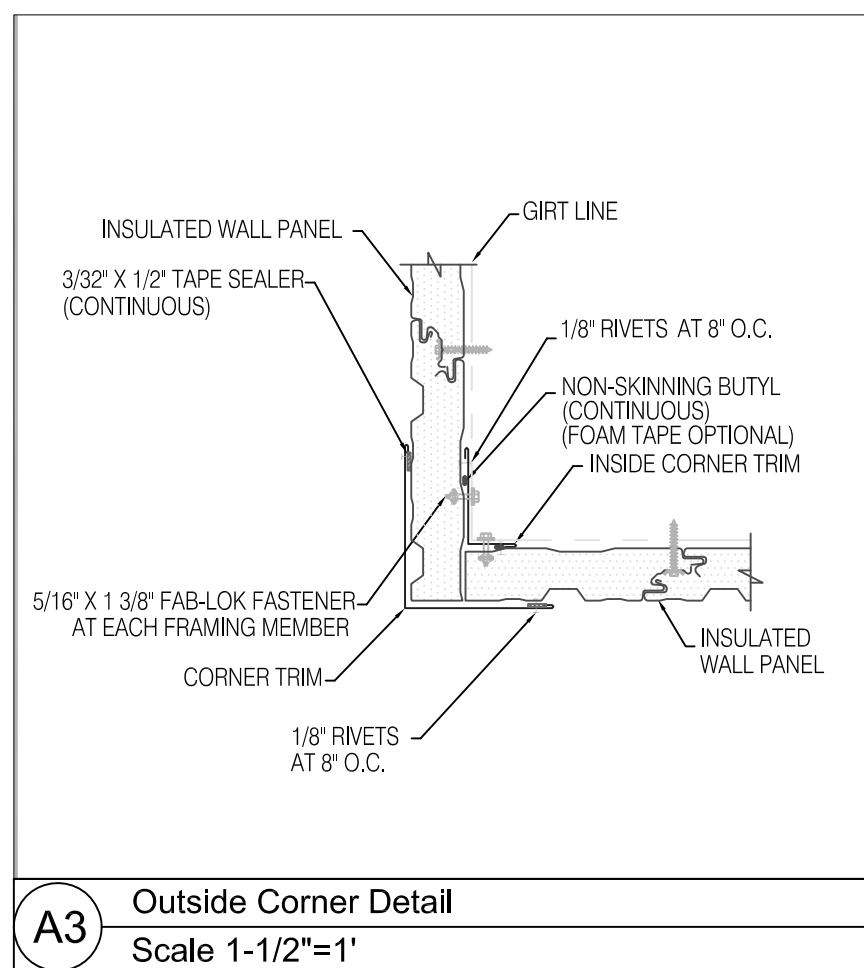
SHEET NUMBER
A6.1



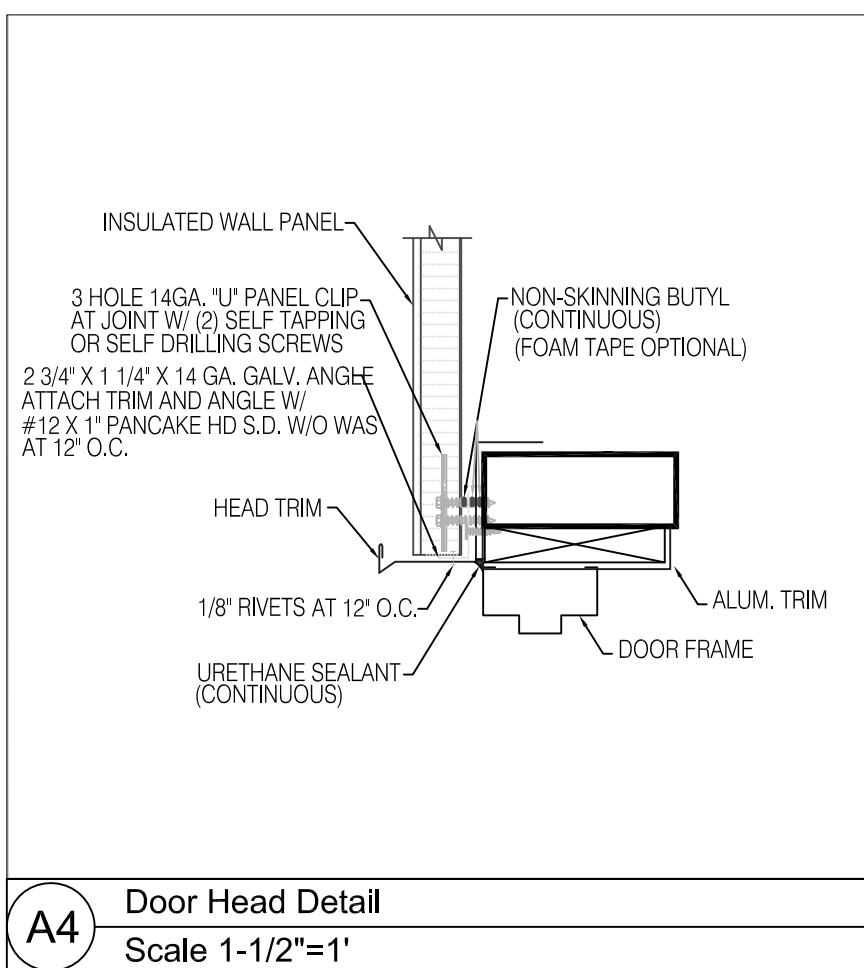
A1 Base detail
Scale 1-1/2"=1'



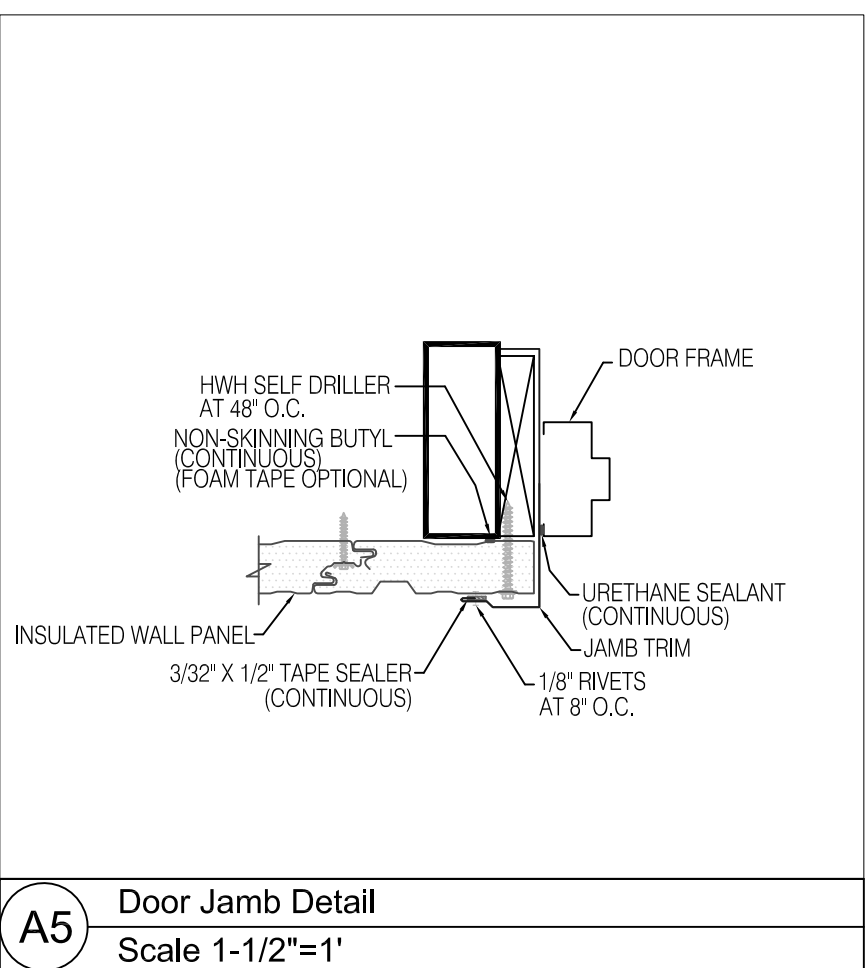
A2 Attachment details (similar)
Scale 1-1/2"=1'



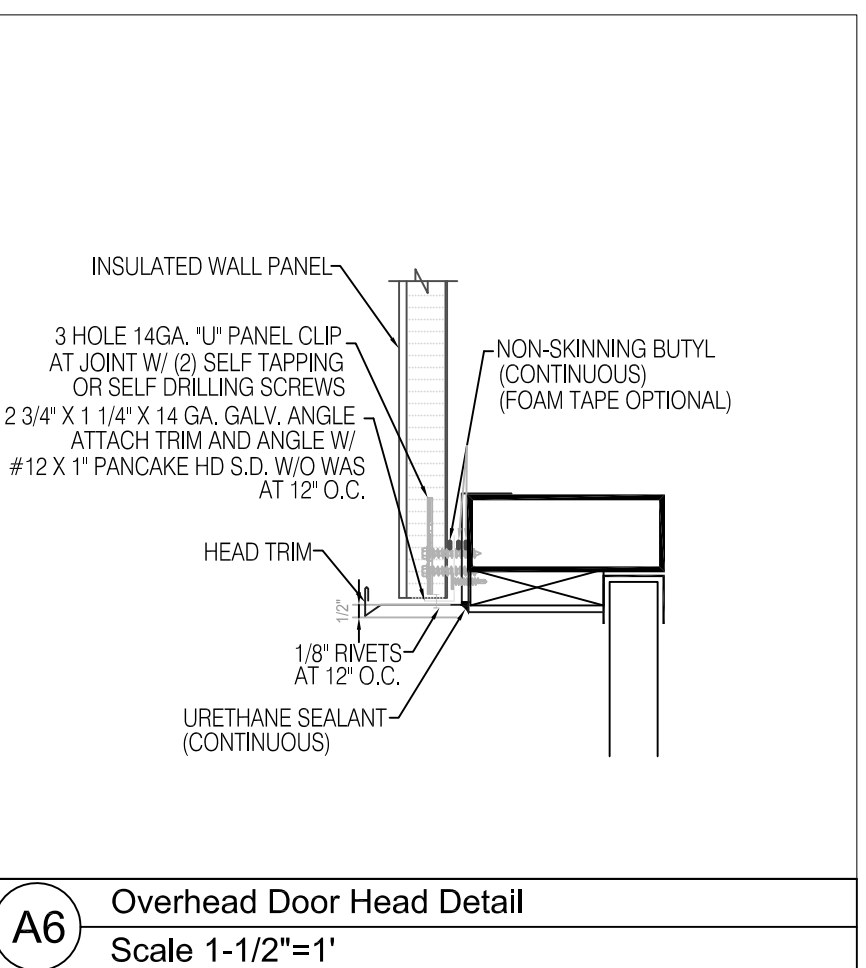
A3 Outside Corner Detail
Scale 1-1/2"=1'



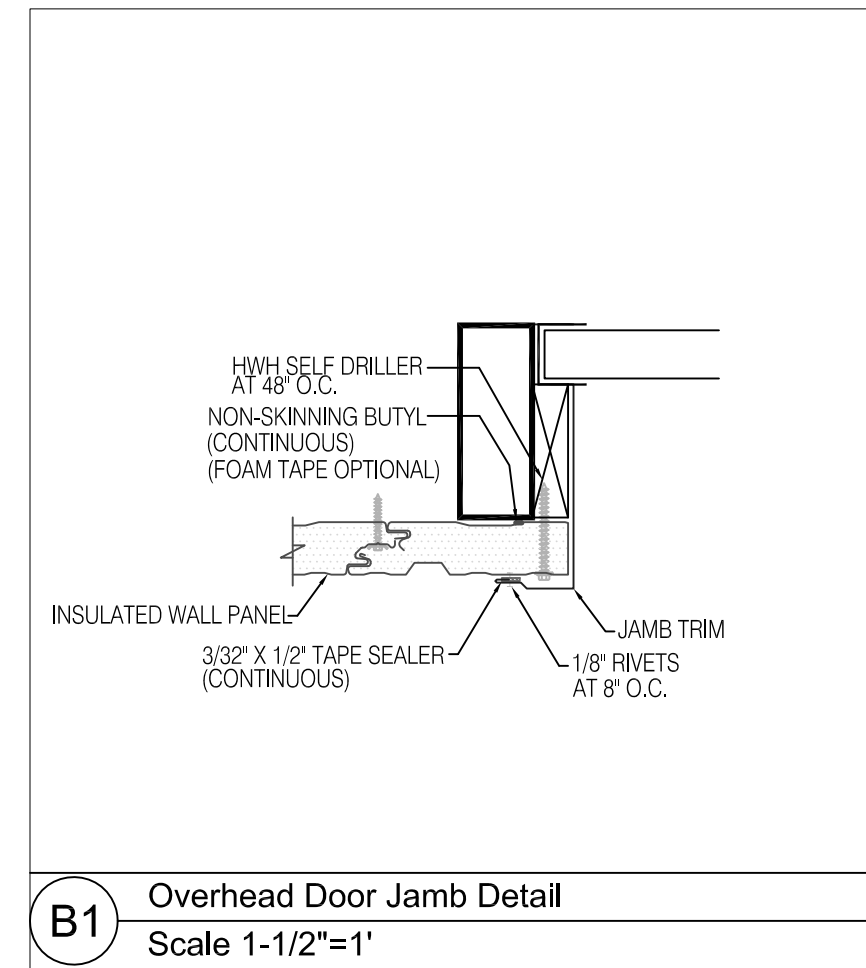
A4 Door Head Detail
Scale 1-1/2"=1'



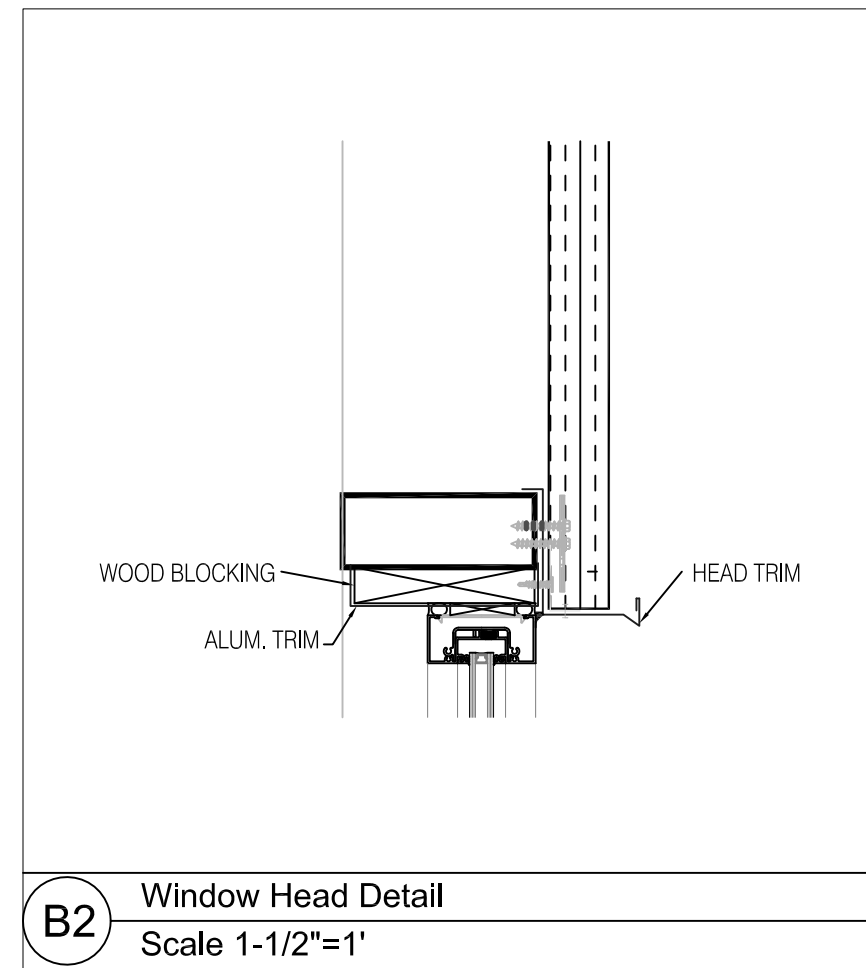
A5 Door Jamb Detail
Scale 1-1/2"=1'



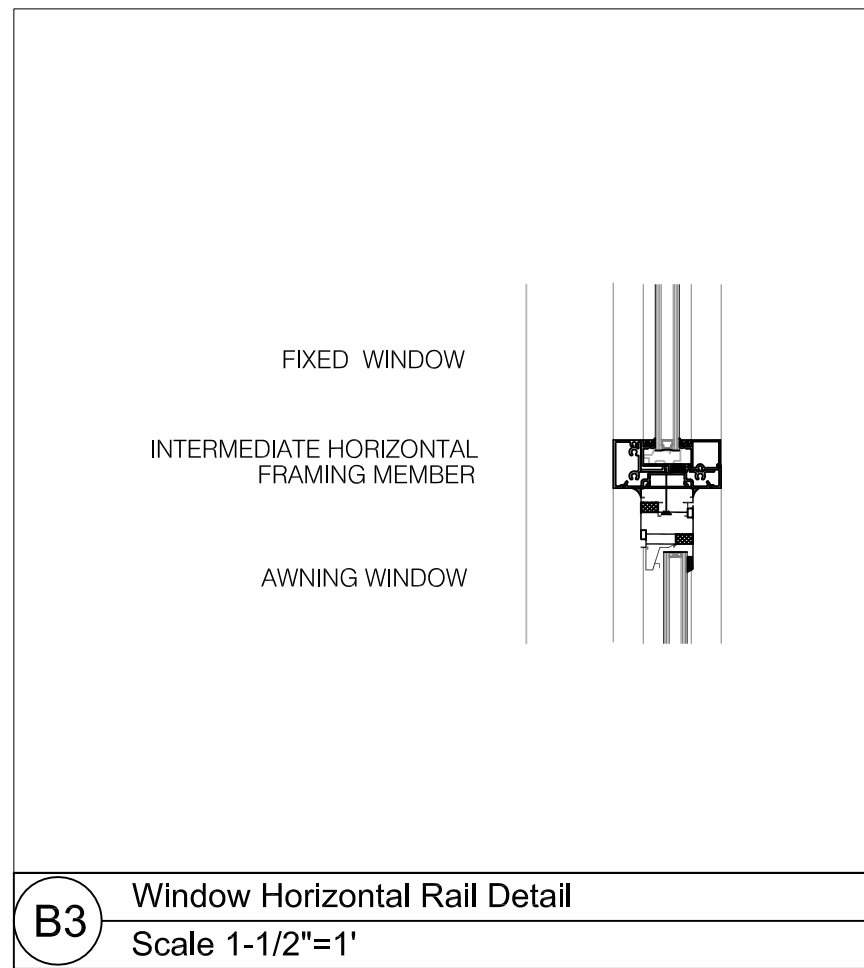
A6 Overhead Door Head Detail
Scale 1-1/2"=1'



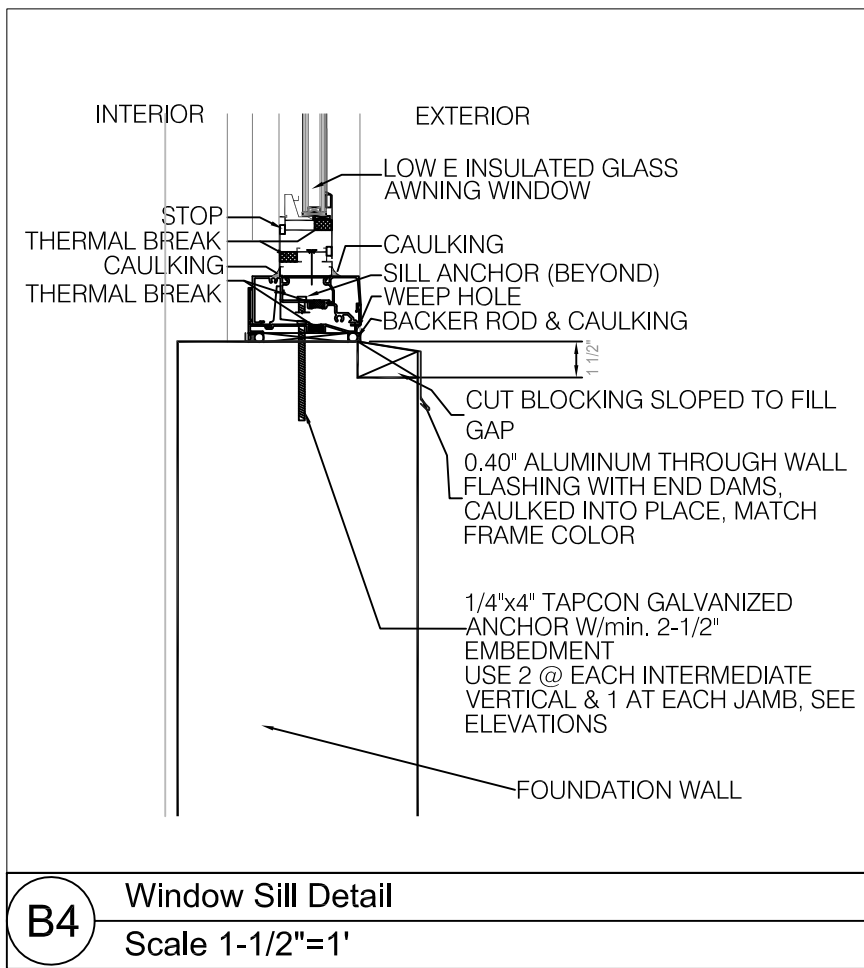
B1 Overhead Door Jamb Detail
Scale 1-1/2"=1'



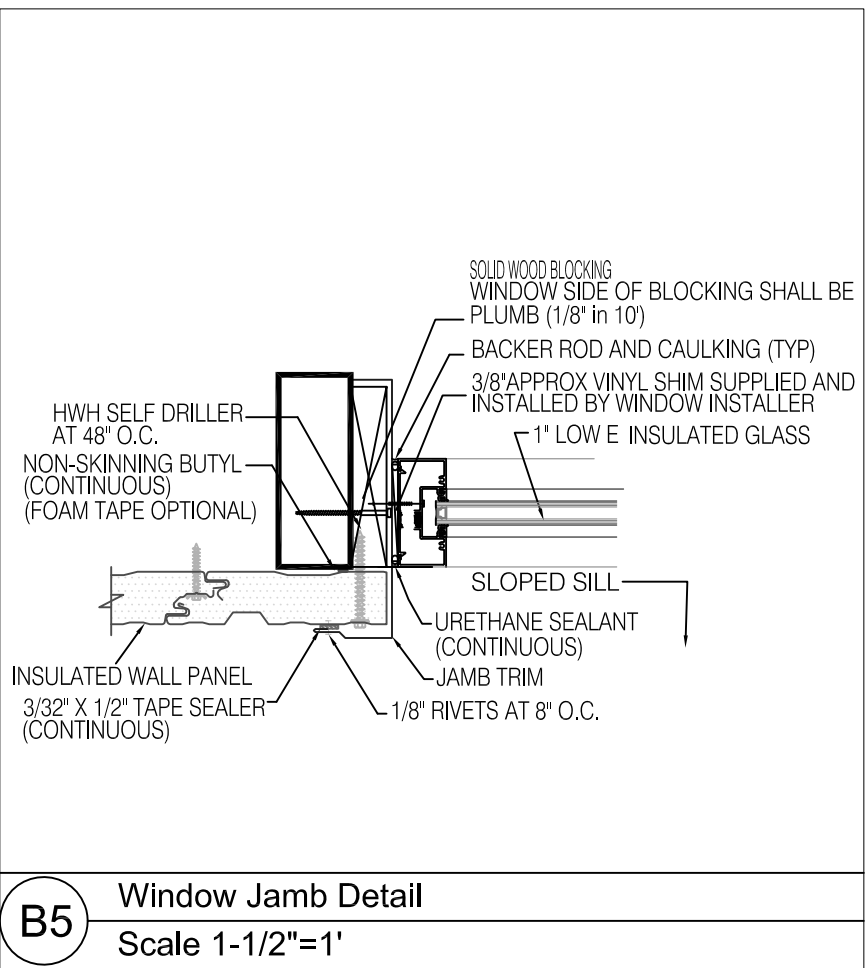
B2 Window Head Detail
Scale 1-1/2"=1'



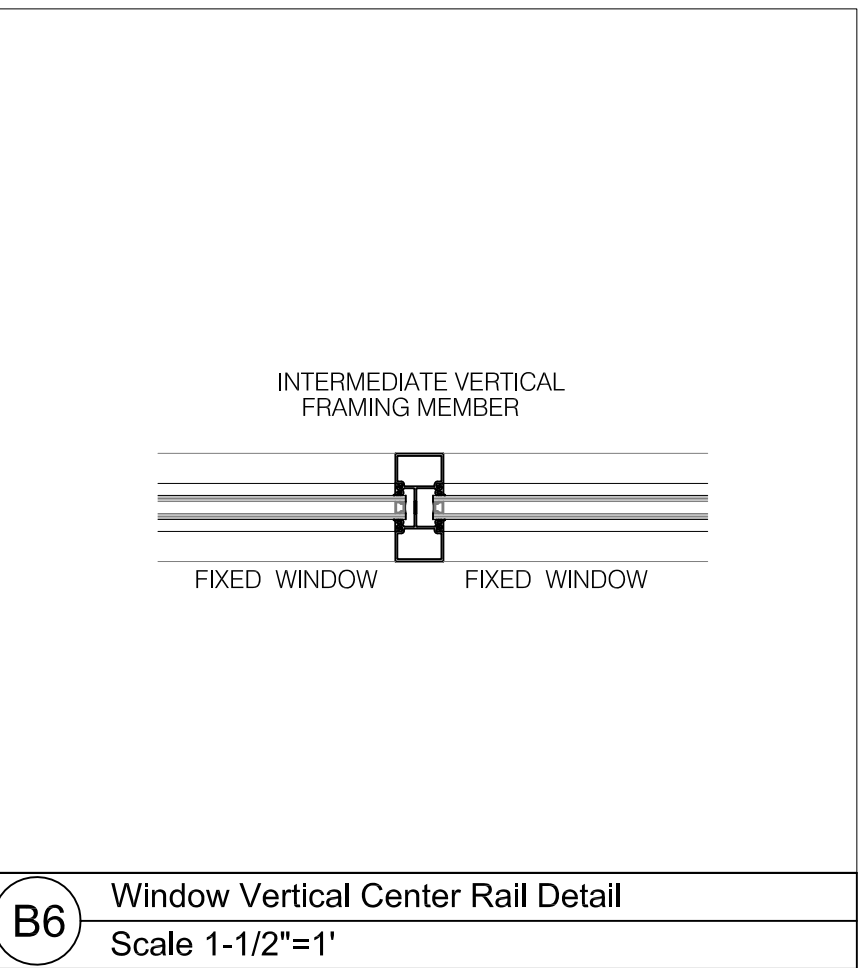
B3 Window Horizontal Rail Detail
Scale 1-1/2"=1'



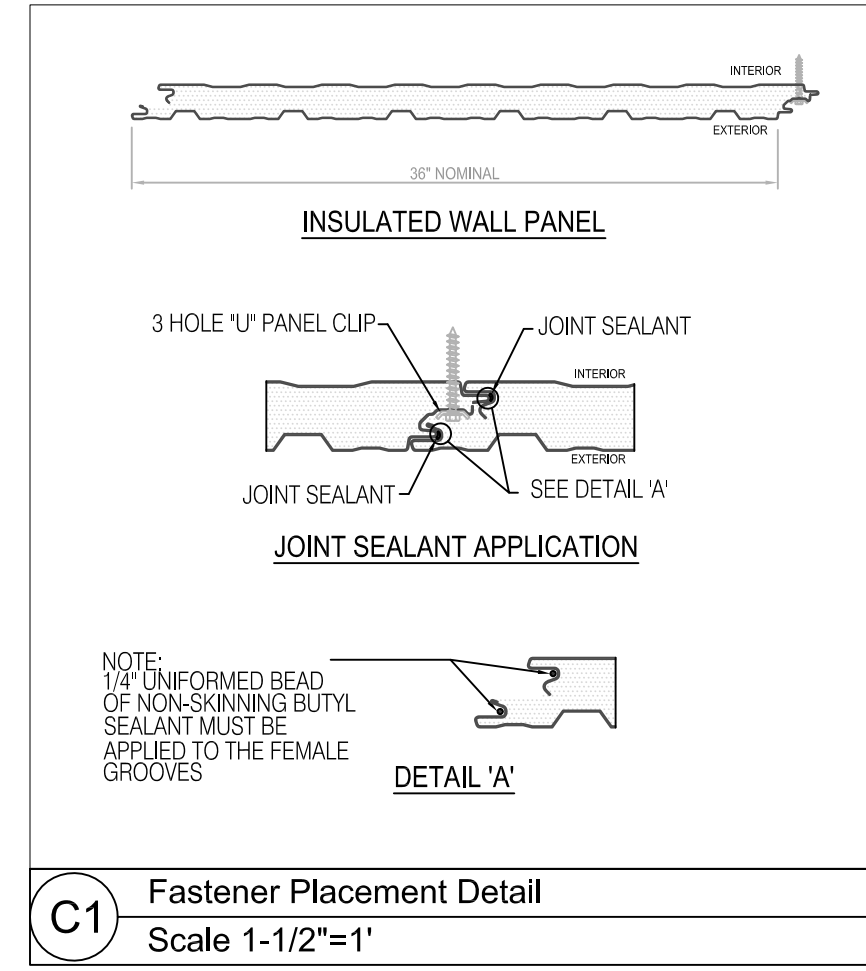
B4 Window Sill Detail
Scale 1-1/2"=1'



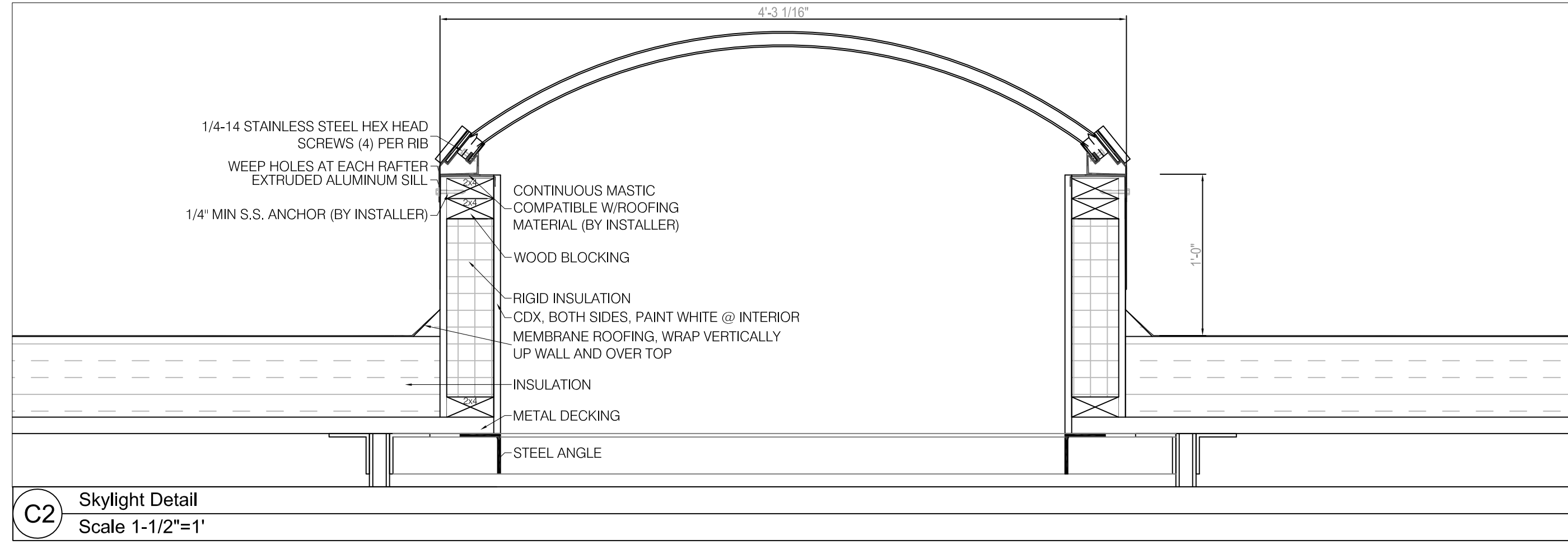
B5 Window Jamb Detail
Scale 1-1/2"=1'



B6 Window Vertical Center Rail Detail
Scale 1-1/2"=1'

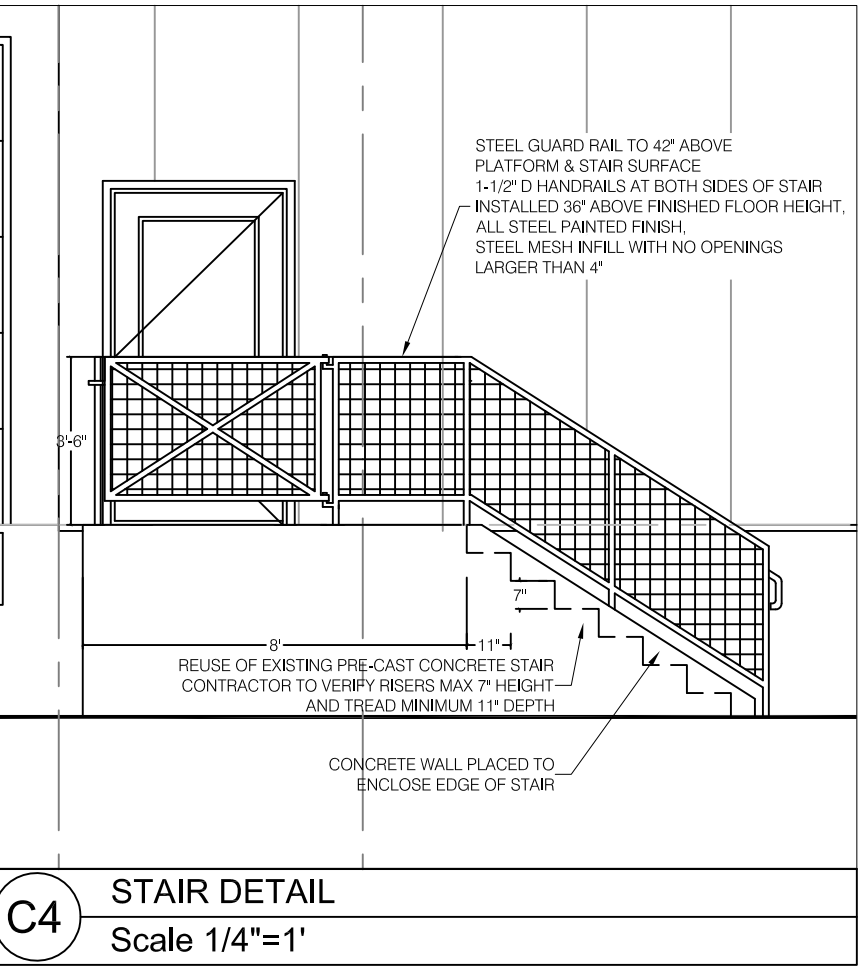


C1 Fastener Placement Detail
Scale 1-1/2"=1'

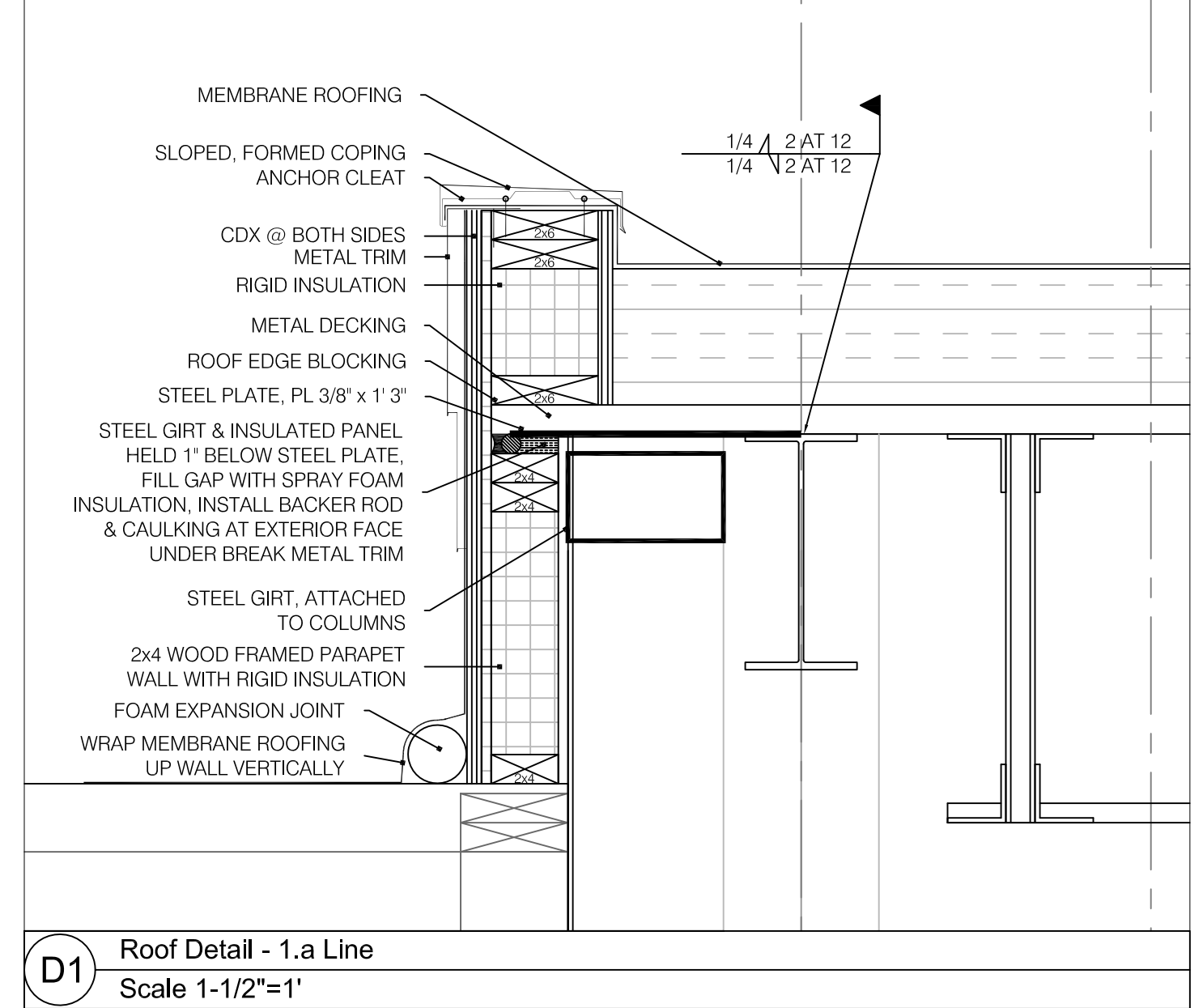


C2 Skylight Detail
Scale 1-1/2"=1'

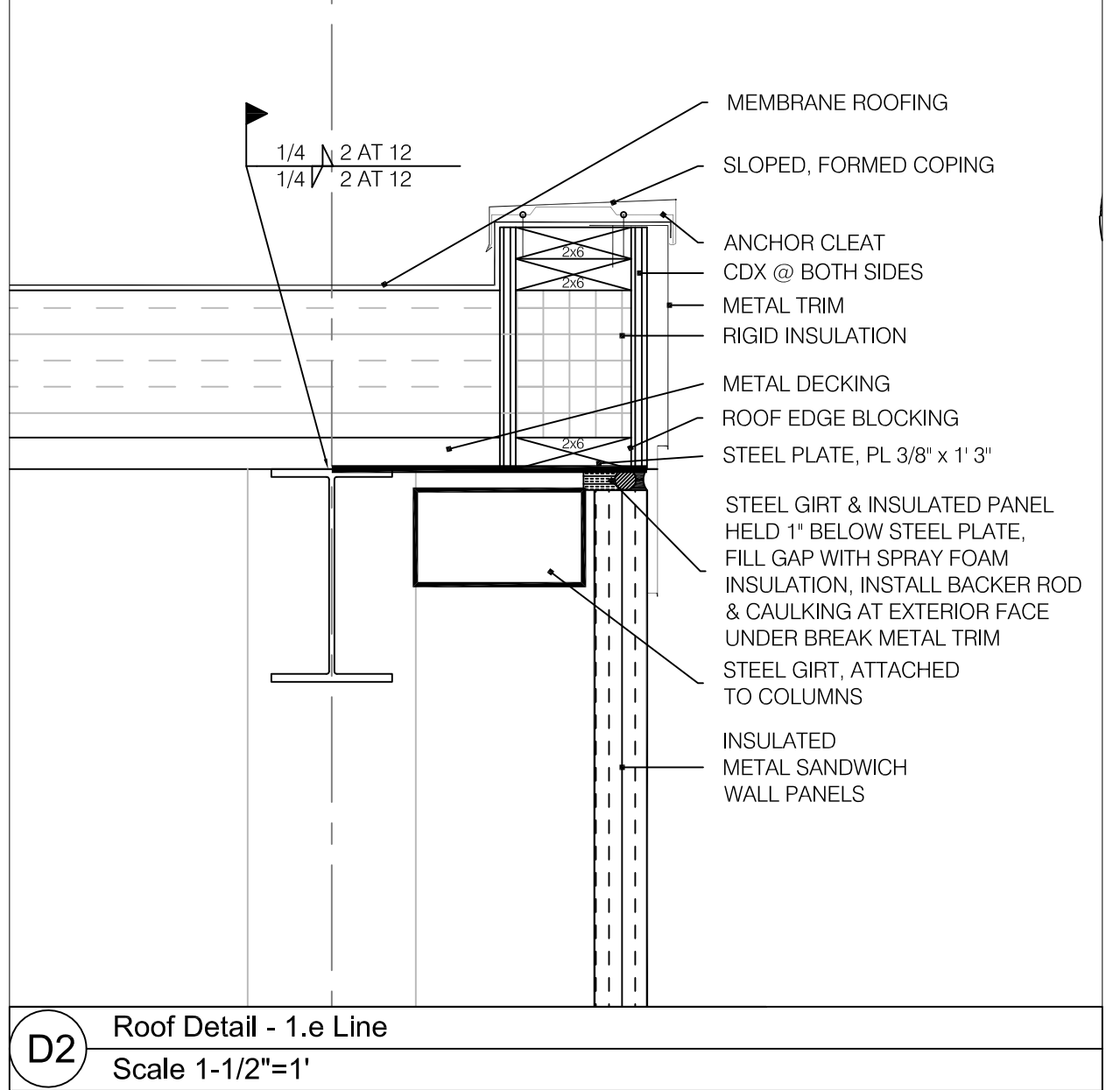
C3 NOTES
 METAL PANEL SYSTEM
 ALL METAL PANEL DETAILS SHOWN HERE REPRESENT IPS, ESP # WALL PANEL SYSTEM. THE INSTALLER SHALL FOLLOW IPS SYSTEM INSTALLATION INSTRUCTION MANUAL AND SPECIFICATIONS AND USE RECOMMENDED SEALANTS.
 WINDOW SYSTEM
 ALL WINDOW DETAILS SHOWN HERE REPRESENT KAWNEER TRIFAB 451 THERMAL SYSTEM. THE INSTALLER SHALL FOLLOW KAWNEER TRIFAB 451 THERMAL SYSTEM INSTALLATION INSTRUCTION MANUAL AND SPECIFICATIONS.
 CAULKING / SEALANT
 THE SEALANT SHALL BE TREMCO DYMATIC LOW MODULUS EXPANSION JOINT SEALANT. THE WINDOW INSTALLER SHALL FOLLOW THE TREMCO DYMATIC SPECIFICATIONS.



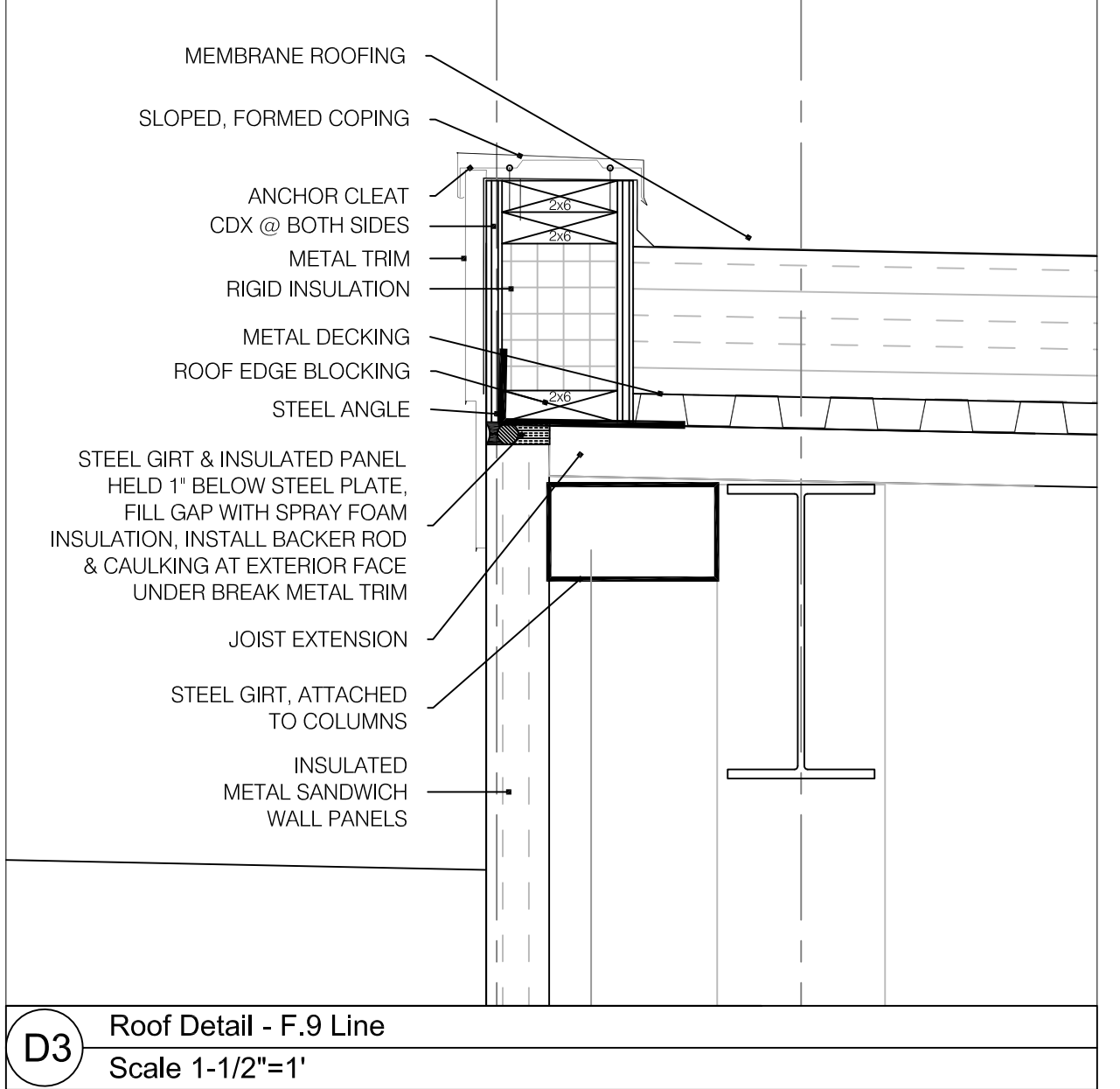
C4 STAIR DETAIL
Scale 1/4"=1'



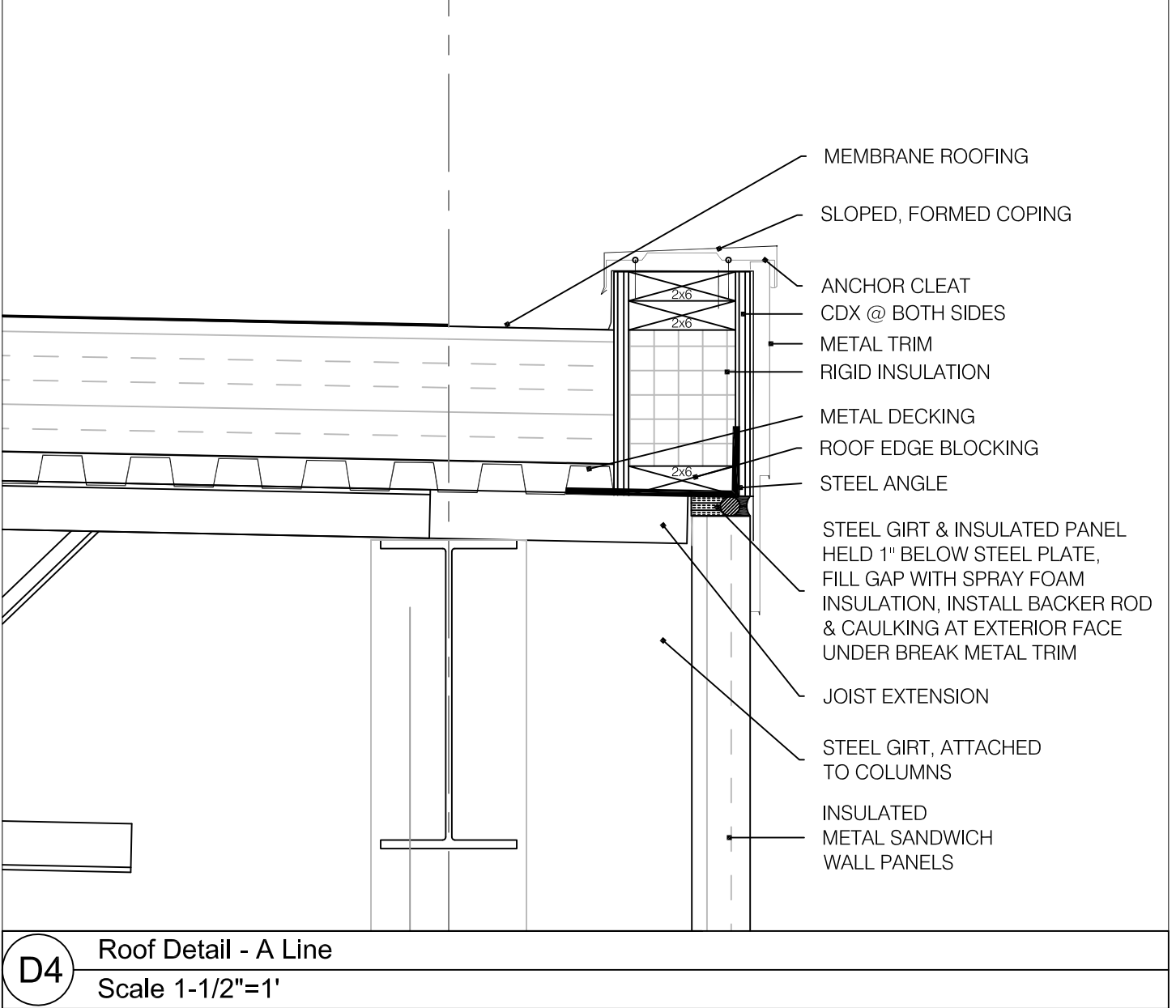
D1 Roof Detail - 1.a Line
Scale 1-1/2"=1'



D2 Roof Detail - 1.e Line
Scale 1-1/2"=1'



D3 Roof Detail - F.9 Line
Scale 1-1/2"=1'



D4 Roof Detail - A Line
Scale 1-1/2"=1'

DRAWN BY:
GABRIELLE RUSSELL, LEED AP
PROJECT DESIGNER / PROJECT COORDINATOR
LANGFORD AND LOW
MASTER OF ARCHITECTURE, TULANE UNIVERSITY
BACHELOR OF ARCHITECTURE, TULANE UNIVERSITY

REVIEWED BY

JOB NUMBER
1028

DESIGN, DRAWINGS, ELECTRONIC FILES, PHOTOS AND RELATED INFORMATION ARE PROPERTY OF LANGFORD AND LOW, INC. AND SHALL NOT BE REPLICATED OR COPIED WITHOUT THE OWNERS WRITTEN CONSENT.

DRAWING STATUS

- OFFICE REVIEW
- CLIENT REVIEW
- PERMIT SET, FOUNDATION ONLY
- BID / ESTIMATING SET
- CONTRACT DRAWINGS
- CONSTRUCTION SET

CONSULTANTS

STRUCTURAL: ASSOCIATED DESIGN PARTNERS

MECHANICAL:

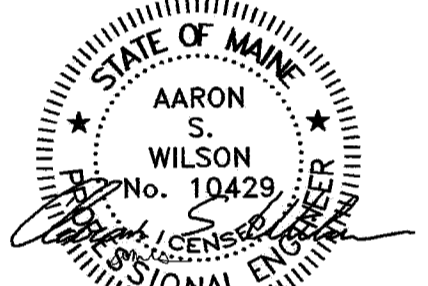
ELECTRICAL:

LANDSCAPE:

CODE:

DESIGN: LANGFORD AND LOW

LICENSED PROFESSIONAL'S SEAL



PROJECT NAME & LOCATION
ALLAGASH BREWERY
Addition
50 INDUSTRIAL WAY
PORTLAND, MAINE

DRAWING TITLE

FOUNDATION DETAILS

DATE

JULY 21, 2010

REVISIONS

REVISION #1
DATE: 9-9-10
DESCRIPTION: ISSUED WITH FRAMING PLANS FOR PERMITTING

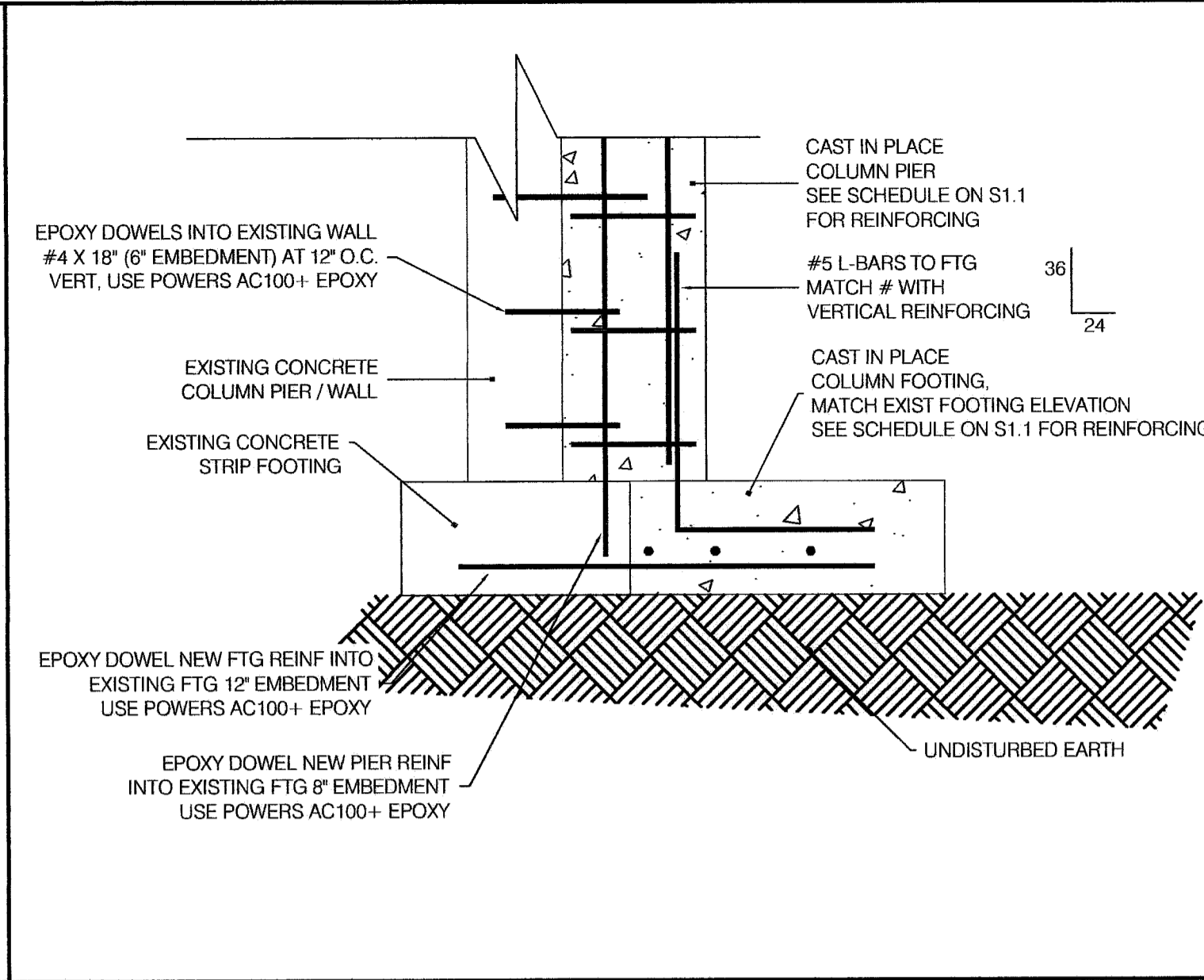
REVISION #:
DATE:
DESCRIPTION:

SCALE

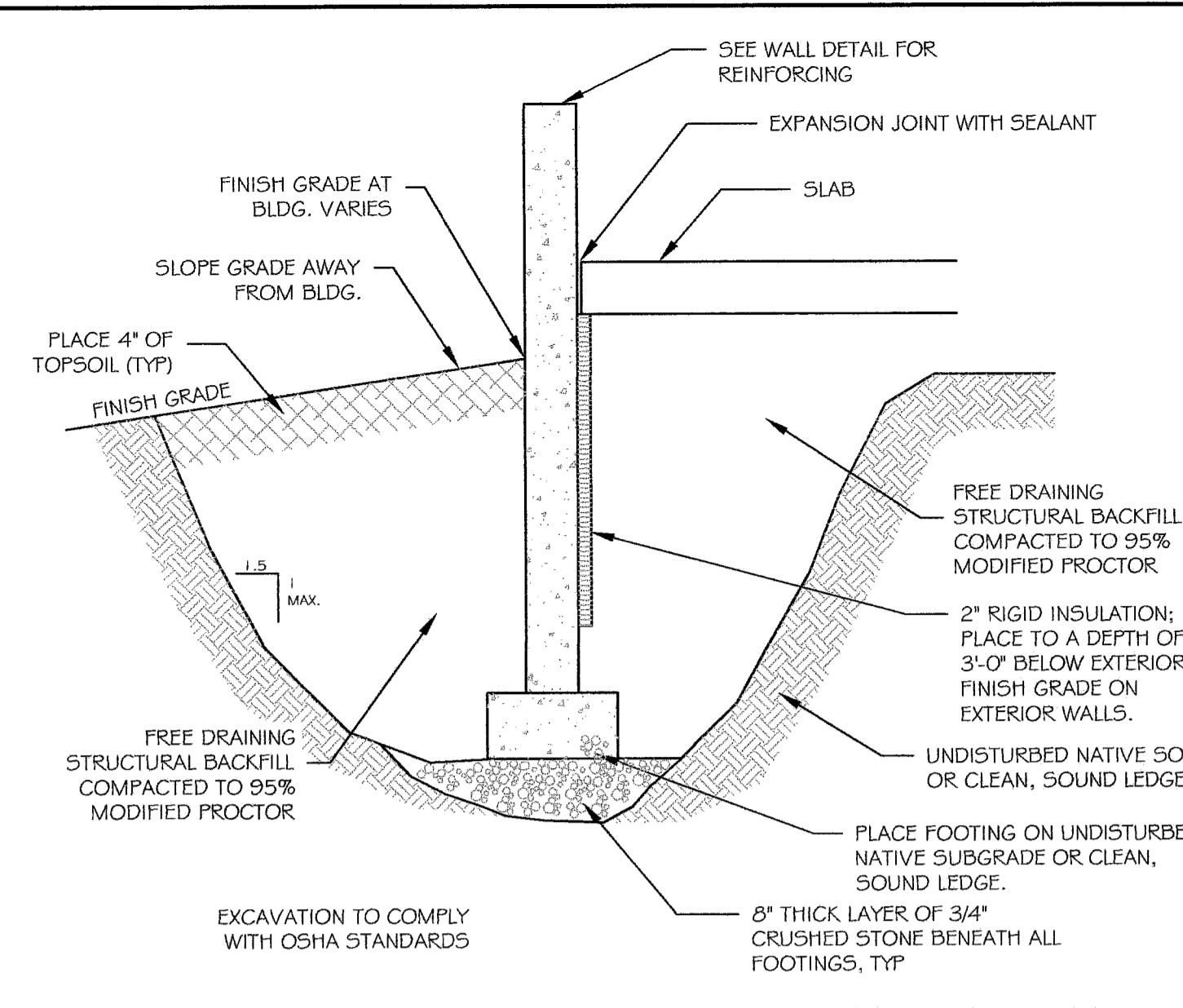
AS NOTED

SHEET NUMBER

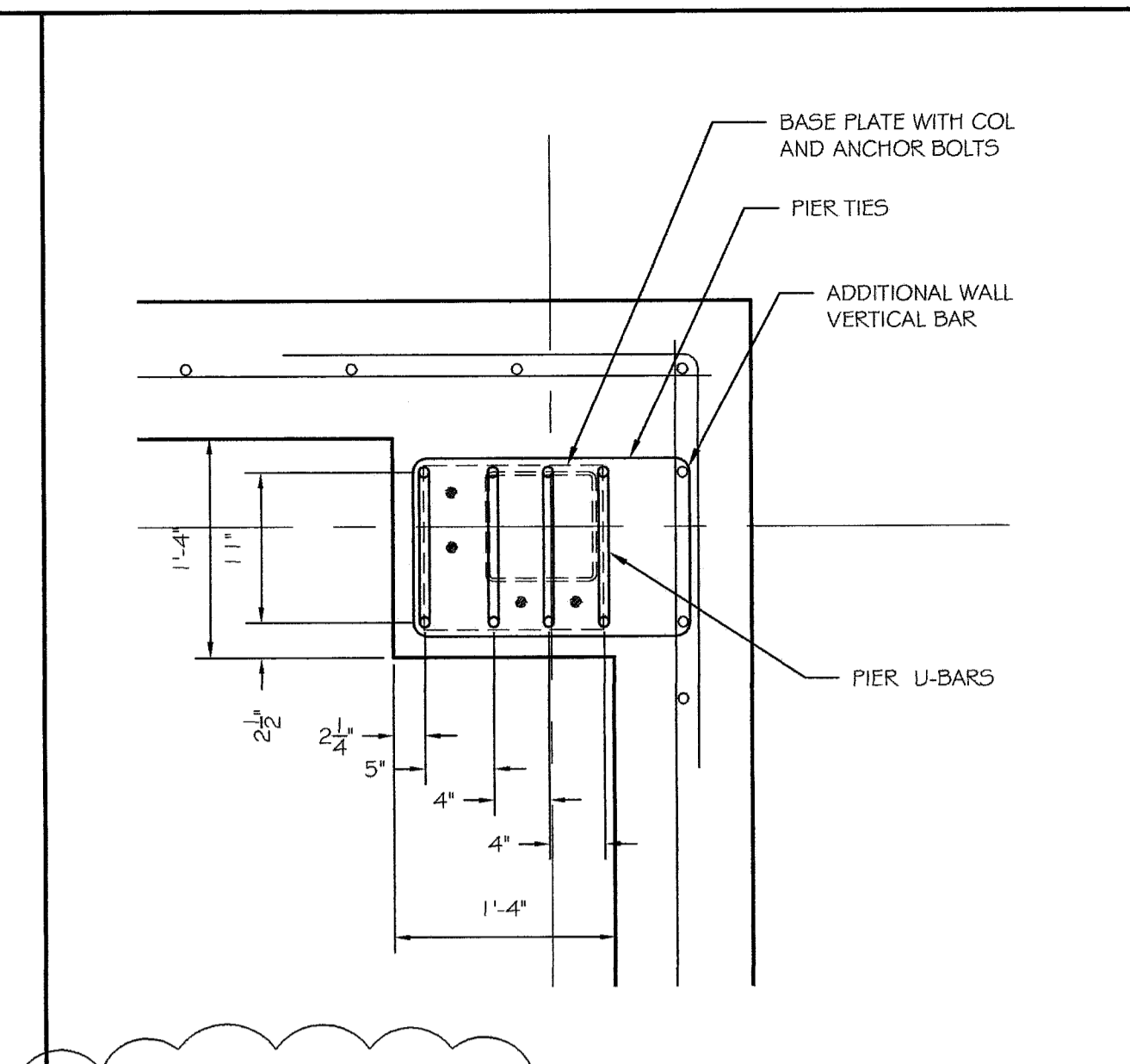
S3.1



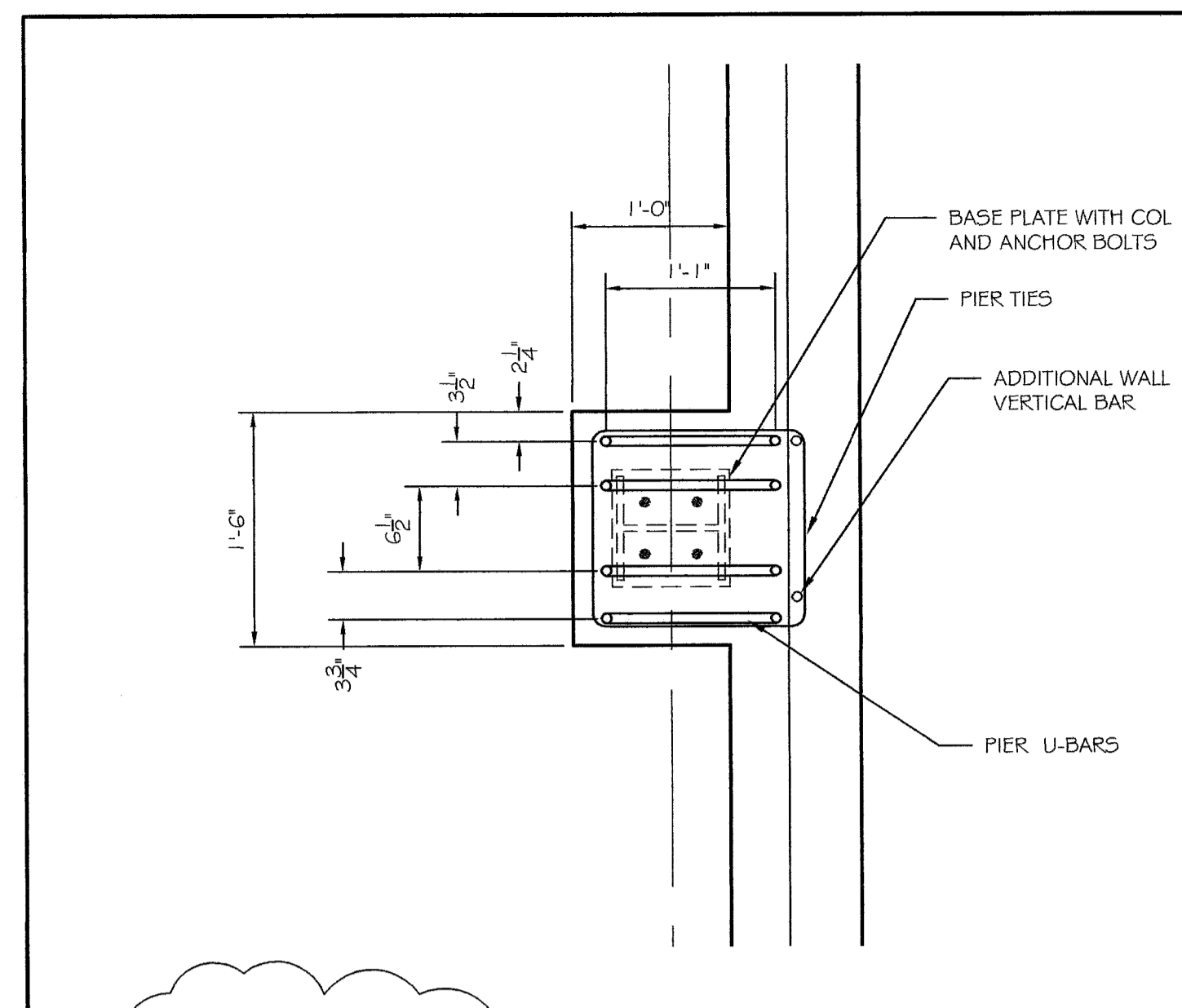
C1 NEW TO EXISTING FOUNDATION DETAIL
SCALE: 3/4" = 1'-0"



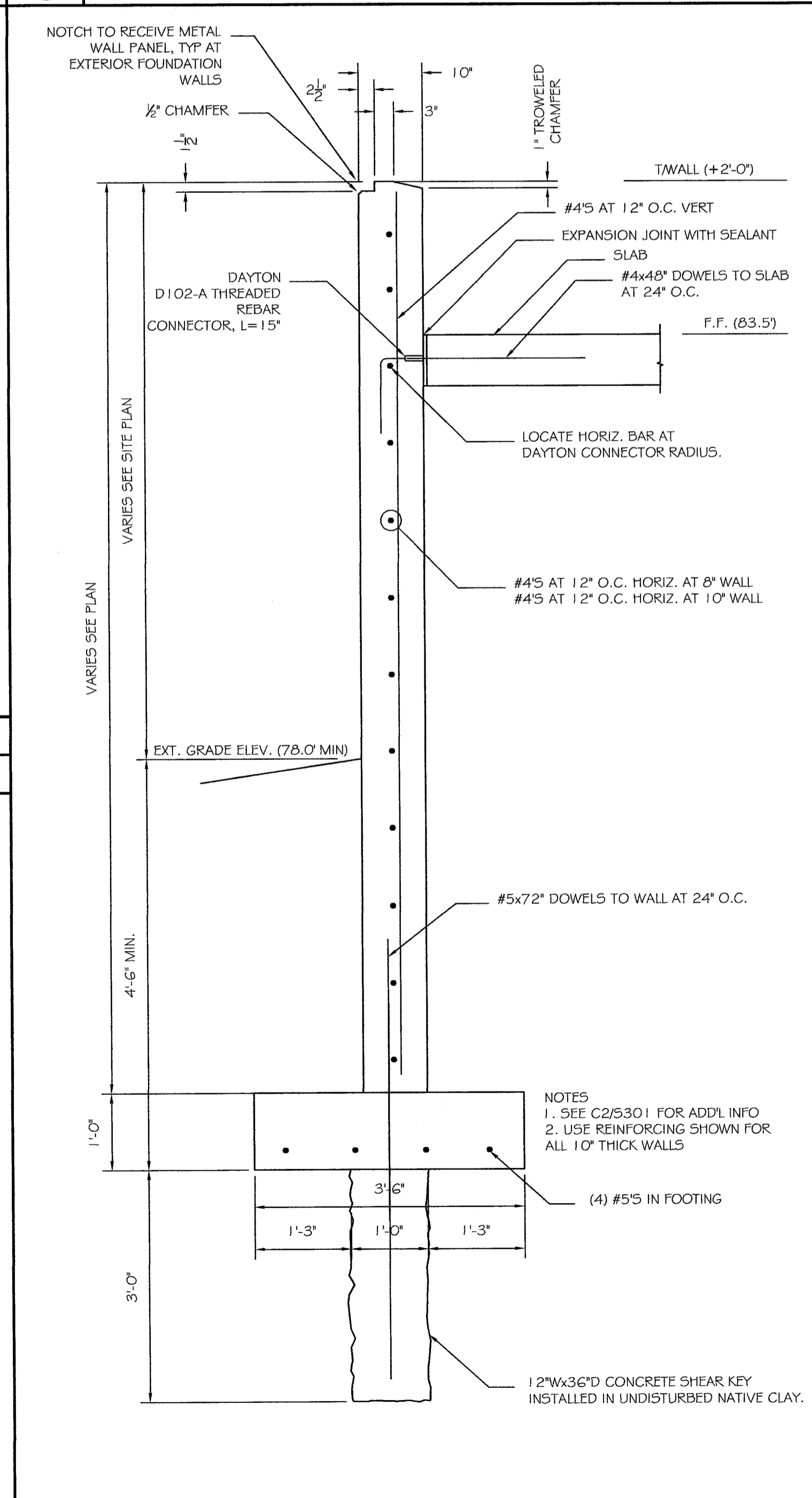
C2 TYPICAL EARTHWORK DETAIL
SCALE: NO SCALE



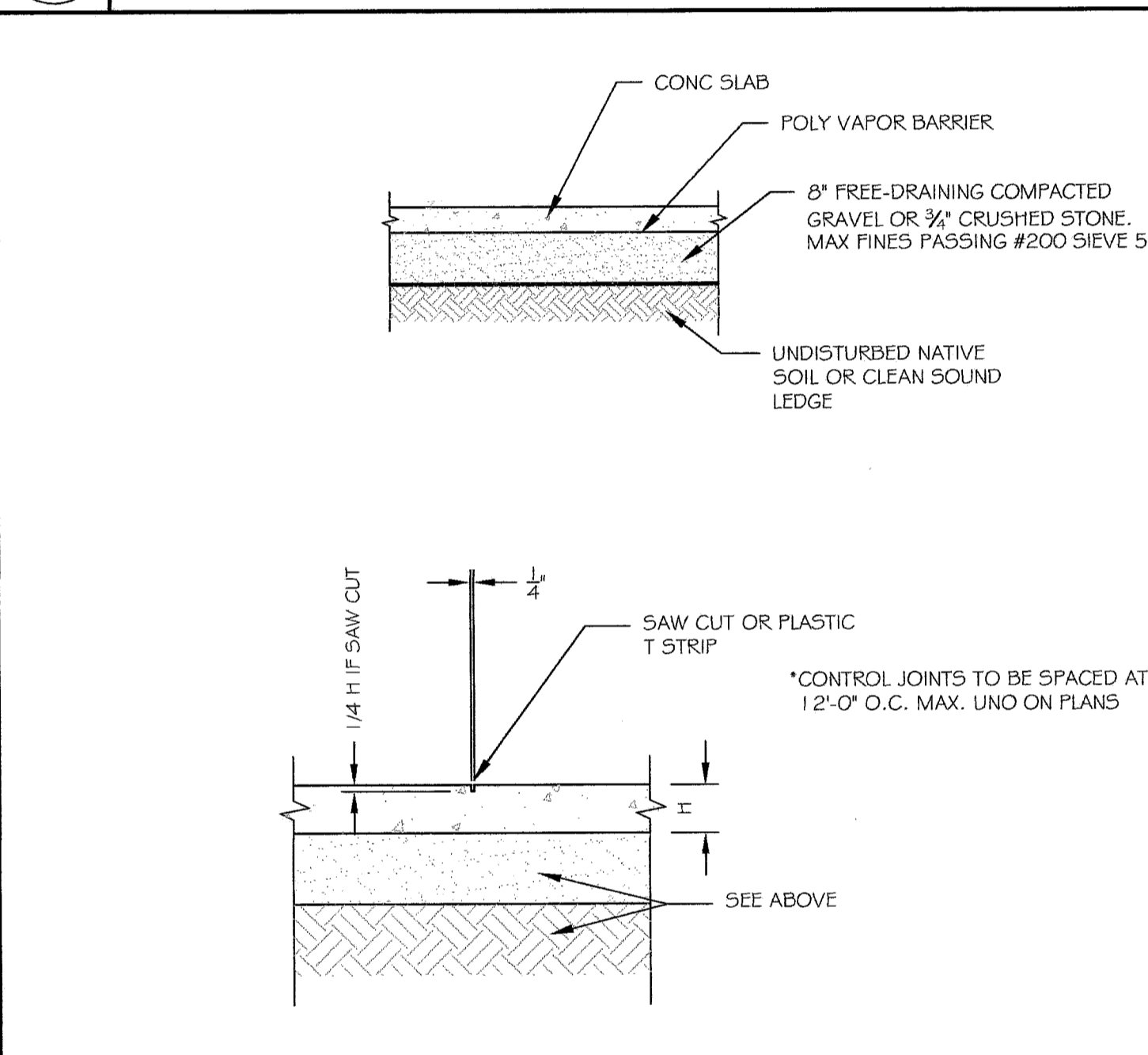
C3 PIER P4 AT F.9-I.E.
SCALE: NO SCALE



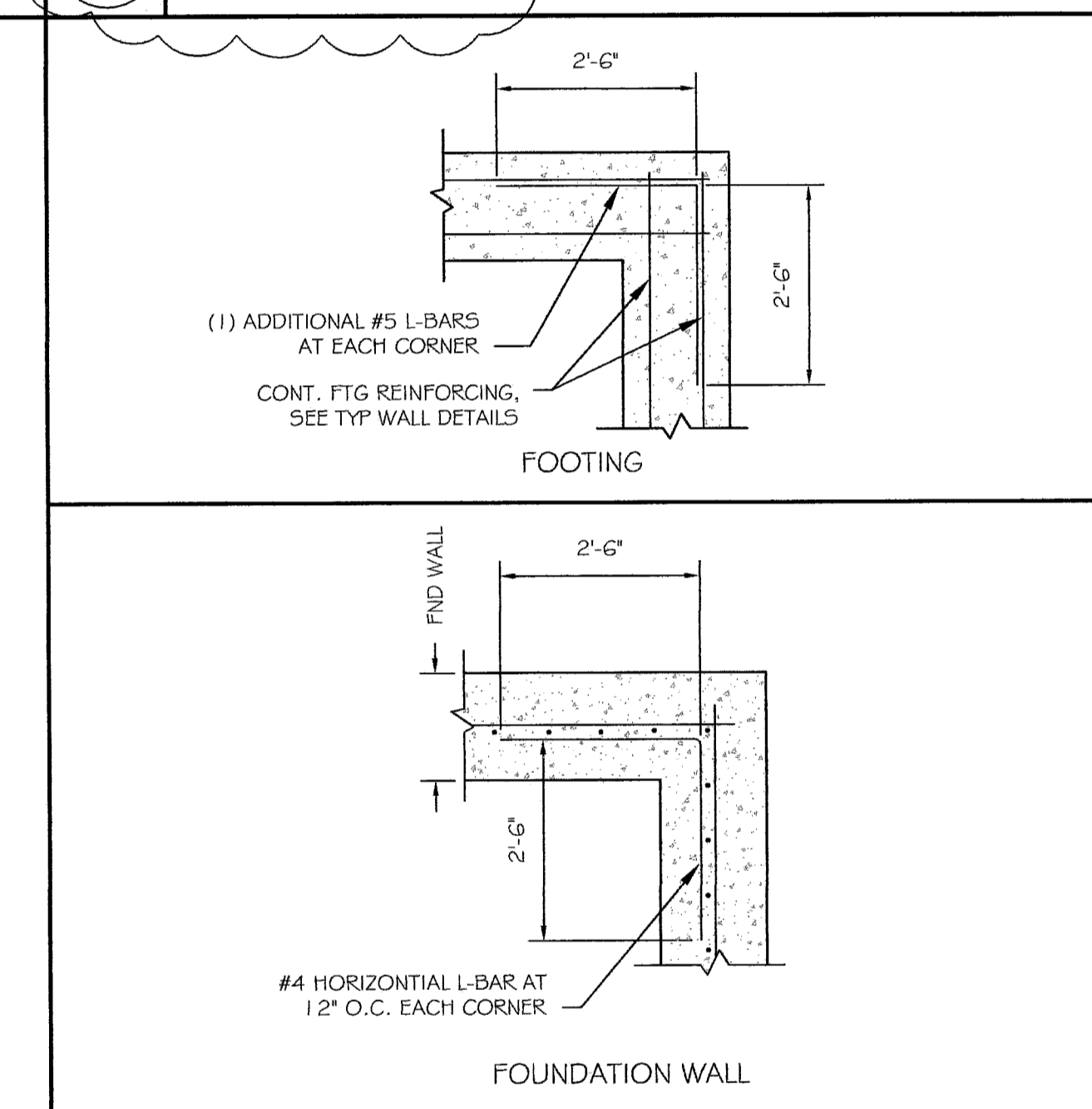
C4 PIER P5 AT F.9-I.D.
SCALE: NO SCALE



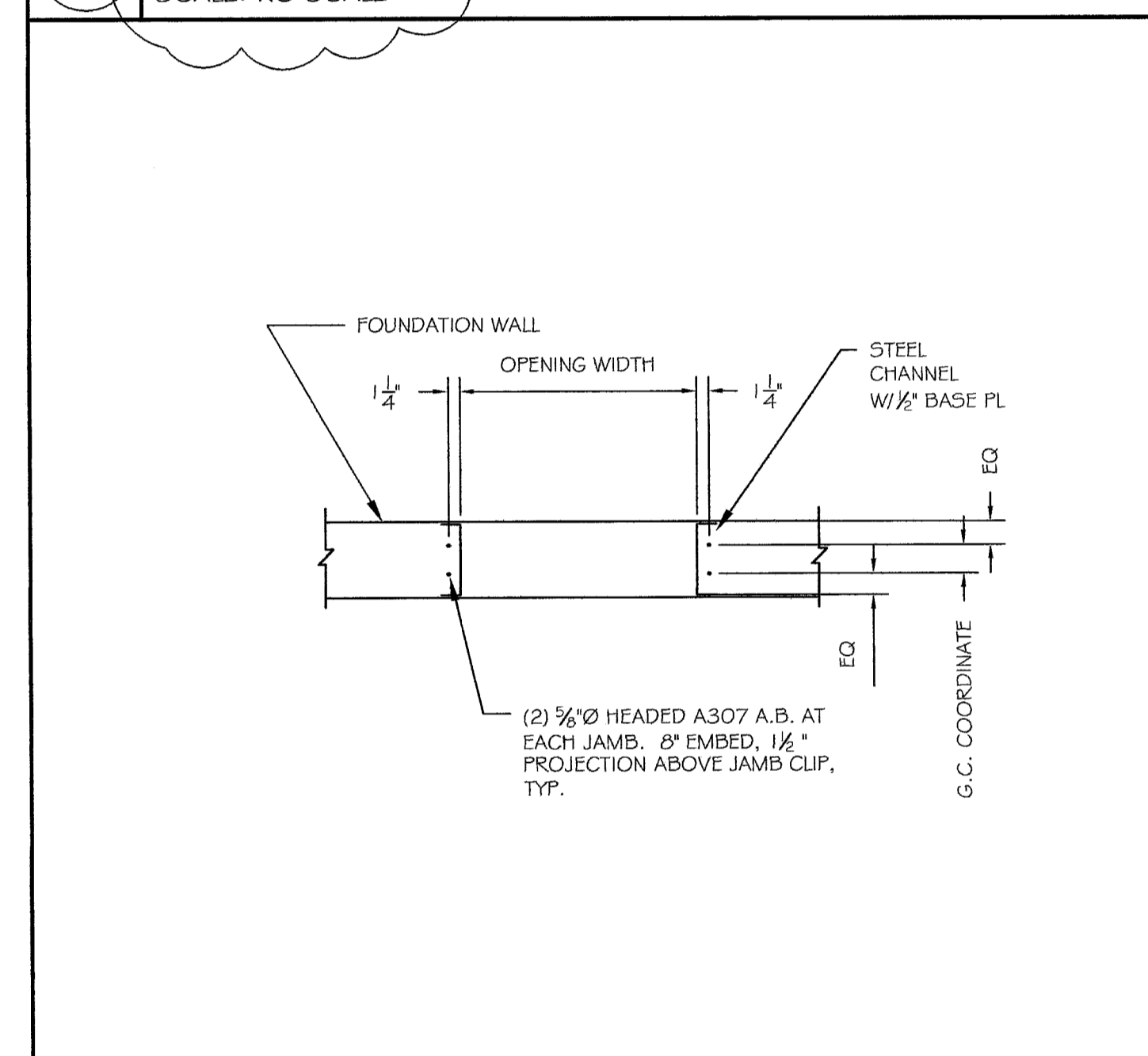
A1 10" FOUNDATION WALL AT T/WALL +2'-0"
SCALE: 3/4" = 1'-0"



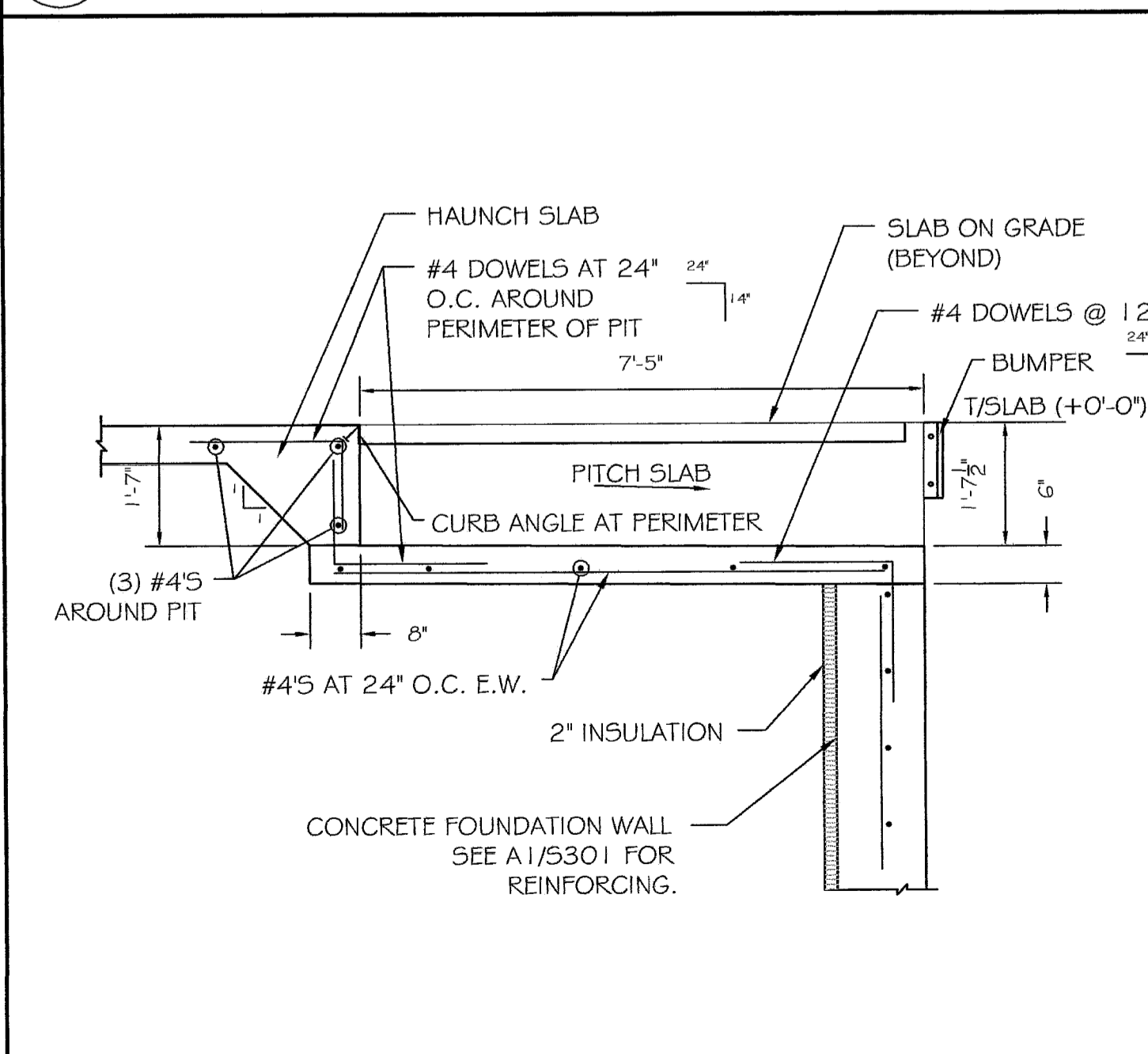
B2 TYPICAL SLAB DETAILS
SCALE: NO SCALE



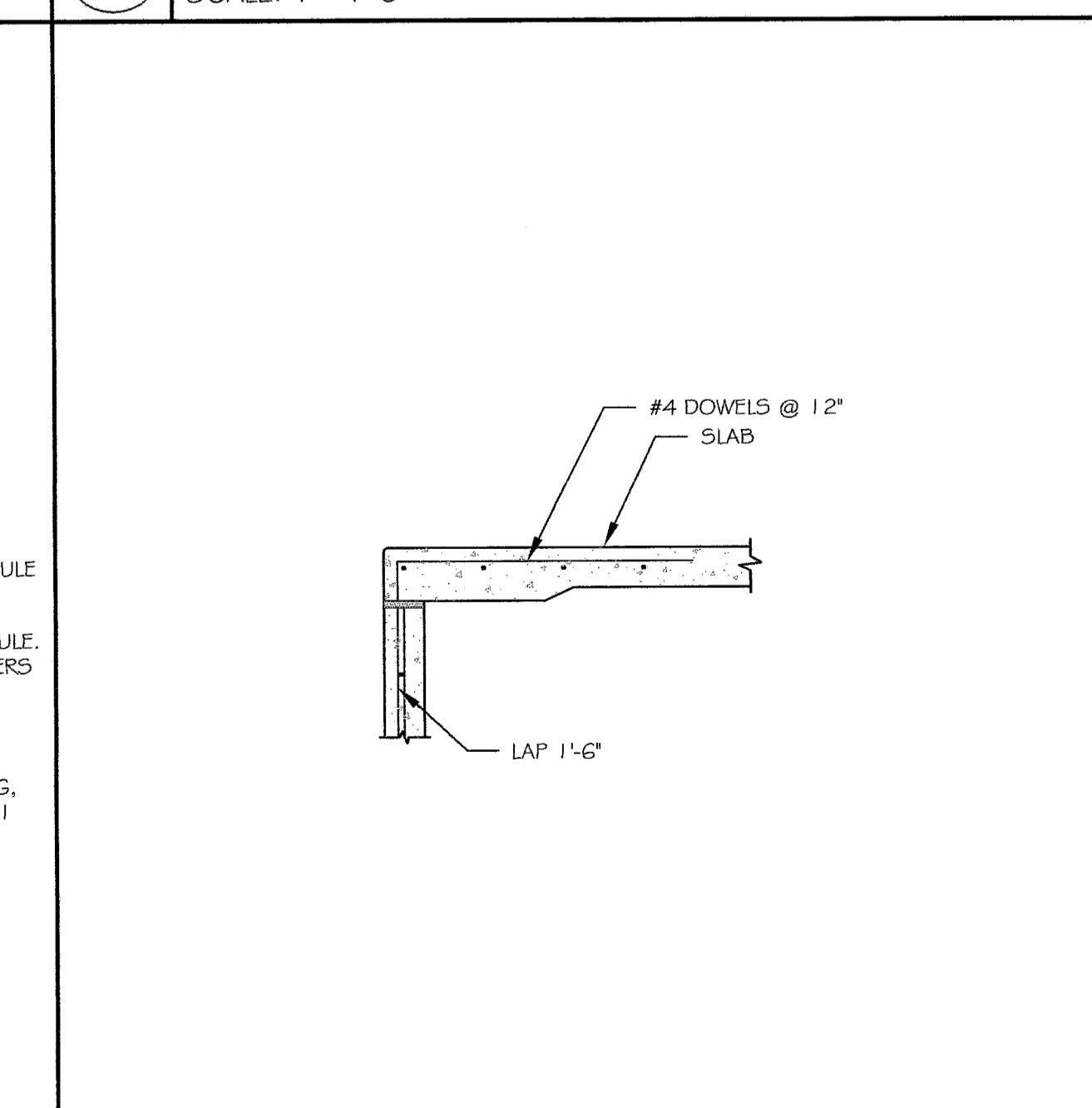
B3 FOUNDATION CORNER REINFORCING
SCALE: 1" = 1'-0"



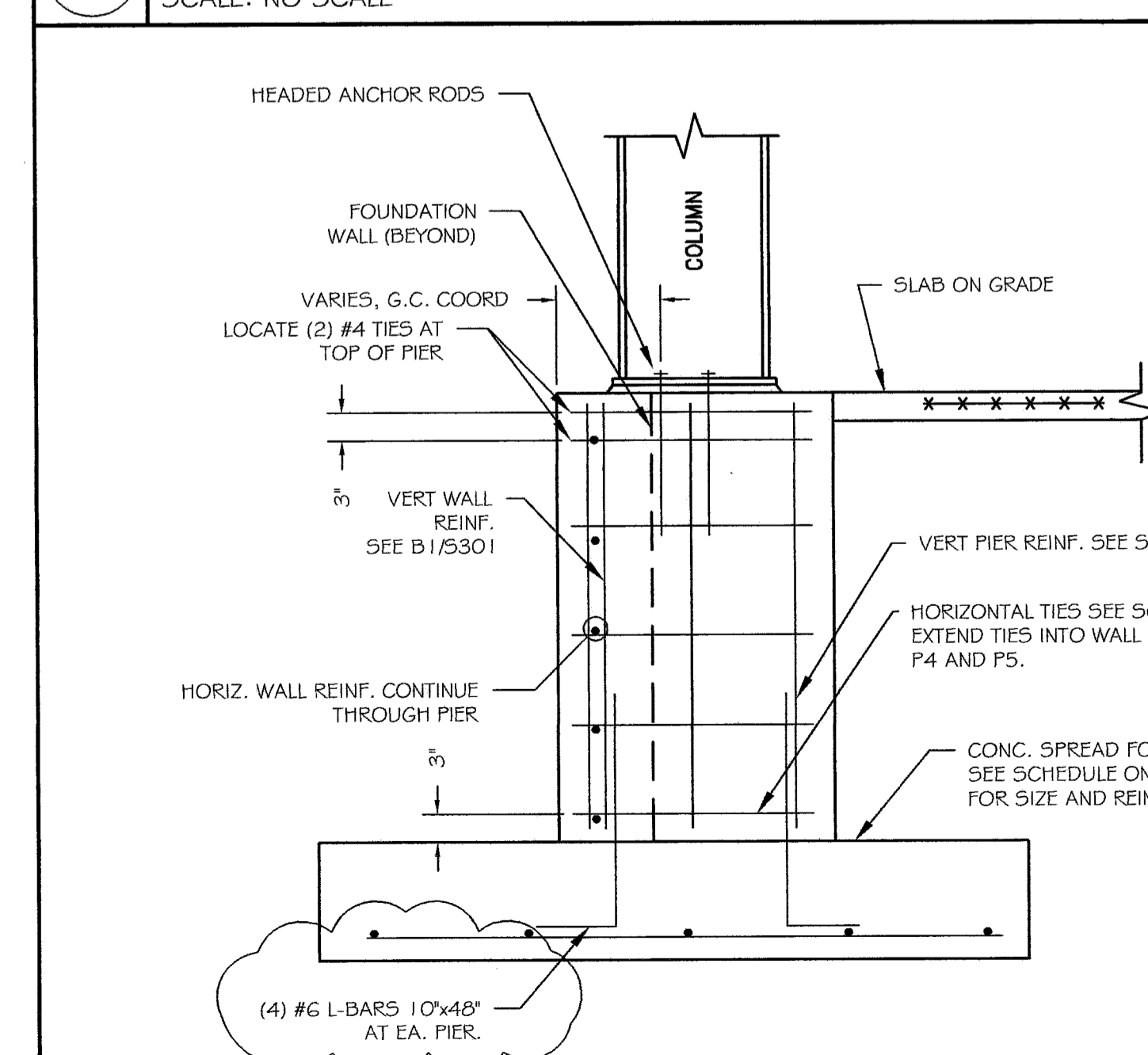
B4 ANCHORS AT FRAMED OPENINGS
SCALE: NO SCALE



A2 DOCK LEVELER PIT
SCALE: 1/2" = 1'-0"



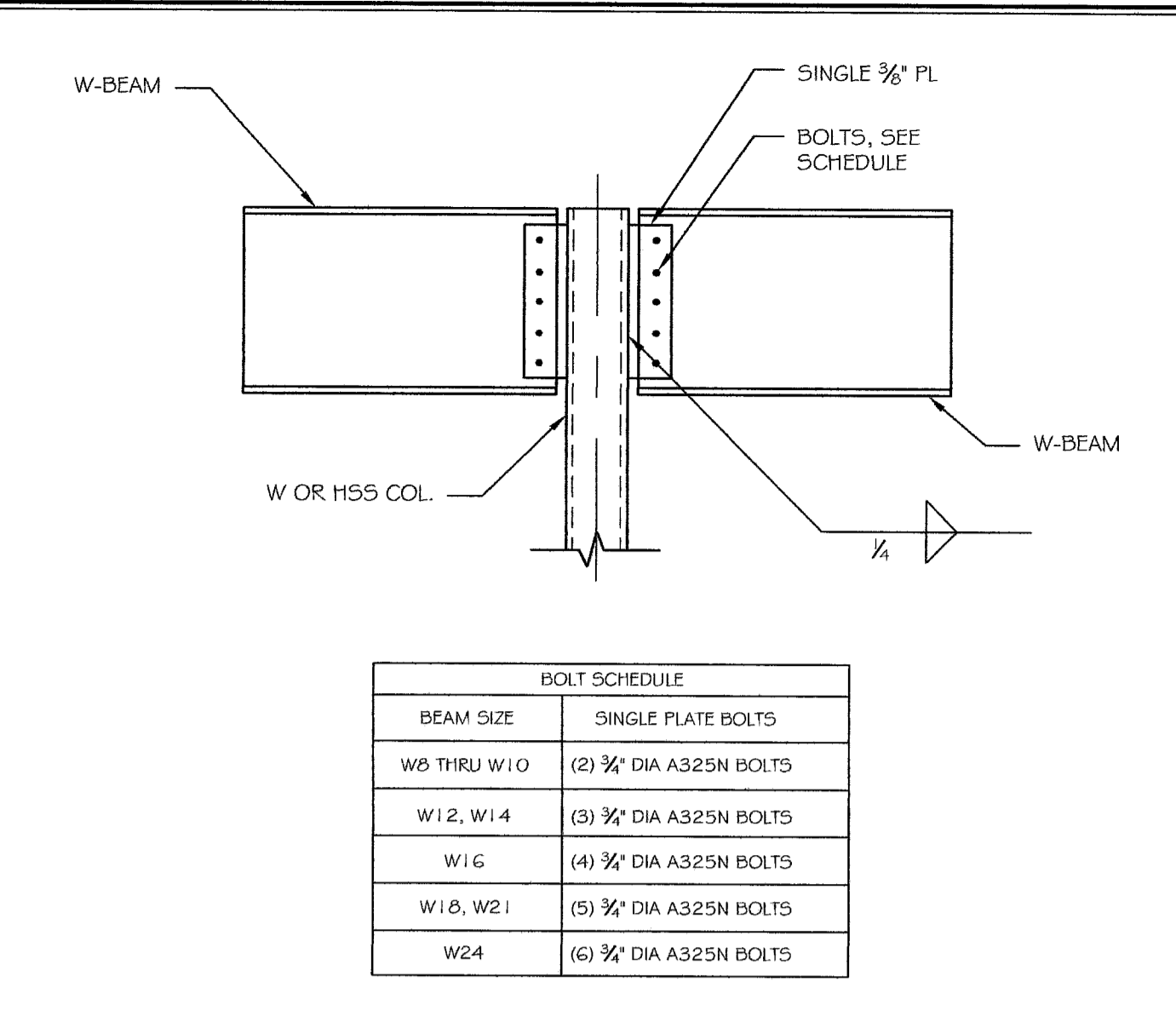
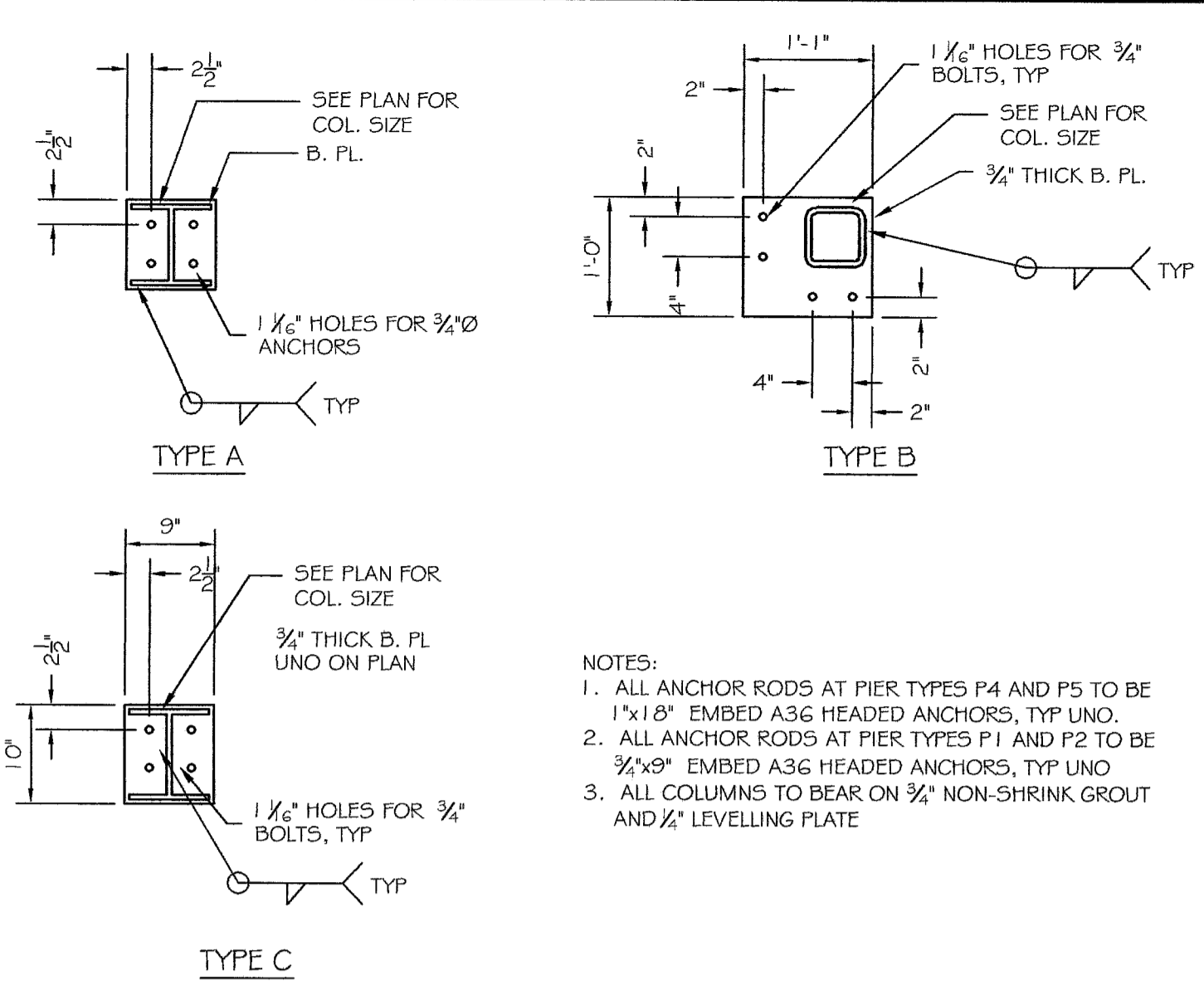
A3 TYP. SECTION AT DOOR OPENINGS
SCALE: NO SCALE



A4 TYP. PIER / FOOTING SECTION AT EXT. WALL
SCALE: NO SCALE

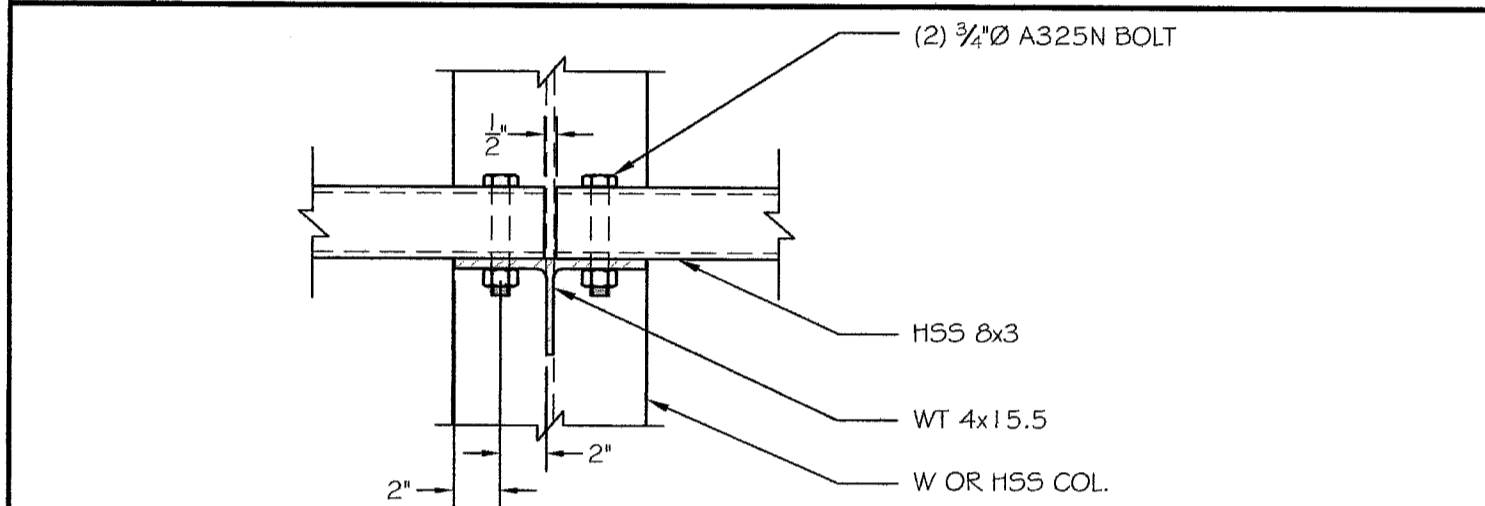
GENERAL STRUCTURAL NOTES

- ALL WORK SHALL CONFORM TO THE REQUIREMENTS OF ALL APPLICABLE STATE AND LOCAL CODES, INCLUDING BUT NOT LIMITED TO:
 - INTERNATIONAL BUILDING CODE - 2006 ED
 - ANSI-ASCE 7-05
 - ACI 318-05 "BUILDING CODE REQUIREMENTS FOR REINFORCED CONCRETE"
 - ACI 307 "SPECIFICATIONS FOR STRUCTURAL CONCRETE FOR BUILDINGS"
 - AISC STEEL CONSTRUCTION MANUAL
 - SISI COLD FORMED STEEL DESIGN MANUAL
 - ANSI-AFPA NDS-2005
- ROOF DESIGN UNIFORM LOADS:
 - DL = 22 PSF
 - SL = 42 PSF (Pg = 60 PSF)
 - WL = 10 PSF (NET UPLIFT)
- FLOOR DESIGN LOADS: 125 PSF LIGHT WAREHOUSE STORAGE + EQUIPMENT POST LOADS
- LATERAL LOADS:
 - WIND: V=90 MPH, EXP B, H=30FT, ASCE 7 SIMPLIFIED PROCEDURE
 - F_{s0}=20 PSF MAX MFRS AND COMF/CLADDING
 - SEISMIC: S_s=0.31 S₁=0.078, SITE D, S_{ds}=0.314, S_{m1}=0.19
 - OCC CAT. 1, SDC = B, R=3.5 ORD. STEEL MOMENT FRAMES
- CONTRACTOR SHALL BRING TO THE ATTENTION OF THE ENGINEER ANY CONDITIONS DIFFERENT FROM THOSE SHOWN ON THE DRAWINGS AND ALSO ANY CONDITIONS THAT PREVENT THE CONTRACTORS COMPLETION OF THE WORK AS SHOWN ON THE CONSTRUCTION DRAWINGS.
- ALL WORK SHALL BE PERFORMED BY PERSONS QUALIFIED IN THEIR TRADE AND LICENSED TO PRACTICE SUCH TRADE IN THE STATE IN WHICH THE PROJECT IS LOCATED.
- THESE DRAWINGS SHALL BE USED IN CONJUNCTION WITH ANY ARCHITECTURAL, MECHANICAL, AND ELECTRICAL DRAWINGS, IN ADDITION TO SPECIFICATIONS AND ANY SHOP DRAWINGS PROVIDED BY SUBCONTRACTORS AND SUPPLIERS.
- ALL DIMENSIONS, ELEVATIONS, AND CONDITIONS SHALL BE VERIFIED IN THE FIELD BY GENERAL CONTRACTOR (G.C.) AND ANY DISCREPANCIES SHALL BE BROUGHT TO THE ATTENTION OF THE ENGINEER FOR CLARIFICATION BEFORE PROCEEDING WITH THE AFFECTED PART OF THE WORK.
- UNLESS OTHERWISE NOTED, DETAILS, SECTIONS, AND NOTES SHOWN ON ANY DRAWING SHALL BE CONSIDERED TYPICAL FOR ALL SIMILAR DETAILS.
- THESE DRAWINGS DO NOT SHOW SIZE, LOCATION OR TYPE OF OPENING IN THE FOUNDATION SYSTEM FOR ELECTRICAL, PLUMBING OR MECHANICAL EQUIPMENT. THE GENERAL CONTRACTOR SHALL BE RESPONSIBLE FOR LOCATING THESE ITEMS.
- ALL SHOP DRAWINGS PROVIDED BY OTHERS SHALL BE SUBMITTED TO THE ENGINEER FOR REVIEW PRIOR TO FABRICATION OF MATERIAL OR THE PURCHASE OF NON-RETURNABLE STOCK. DIMENSIONAL REVIEW IS THE CONTRACTOR'S RESPONSIBILITY.
- USE PERIMETER DRAINS WHERE SHOWN. DRAIN TO APPROPRIATE OUTLET.

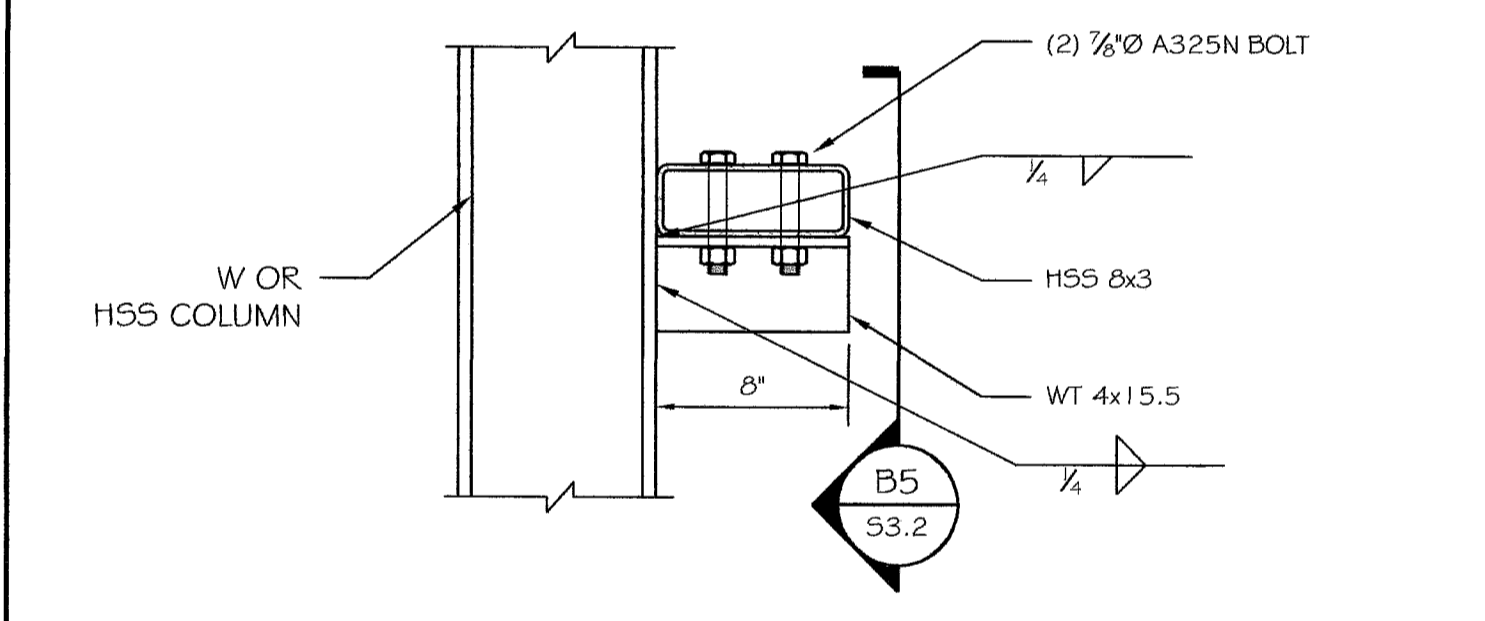


C4

NOTES



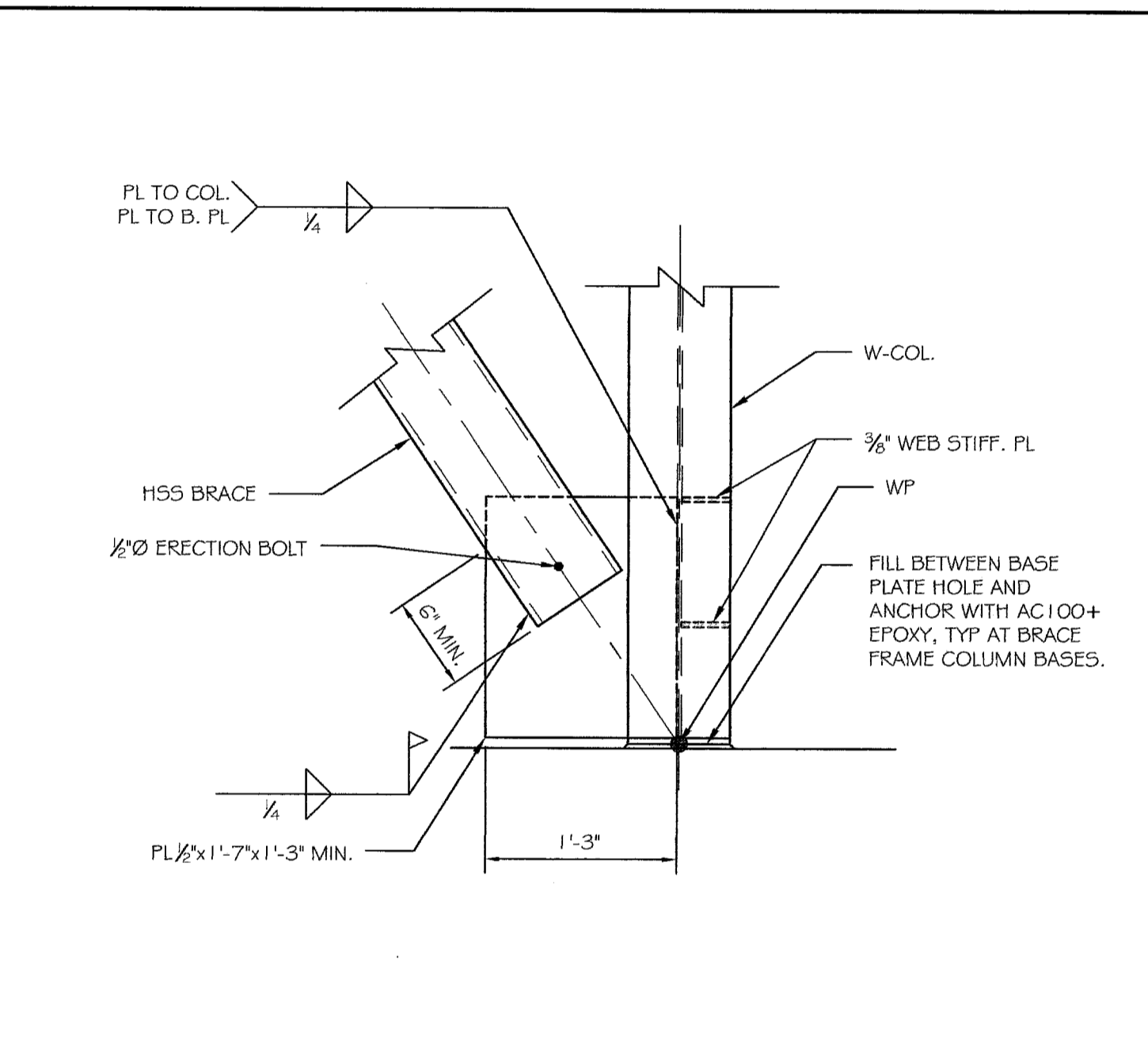
B5 HSS WIND GIRTS CONNECTION
SCALE: 1" = 1'-0"



B4 HSS WIND GIRTS CONNECTION SECTION
SCALE: 1" = 1'-0"

C2

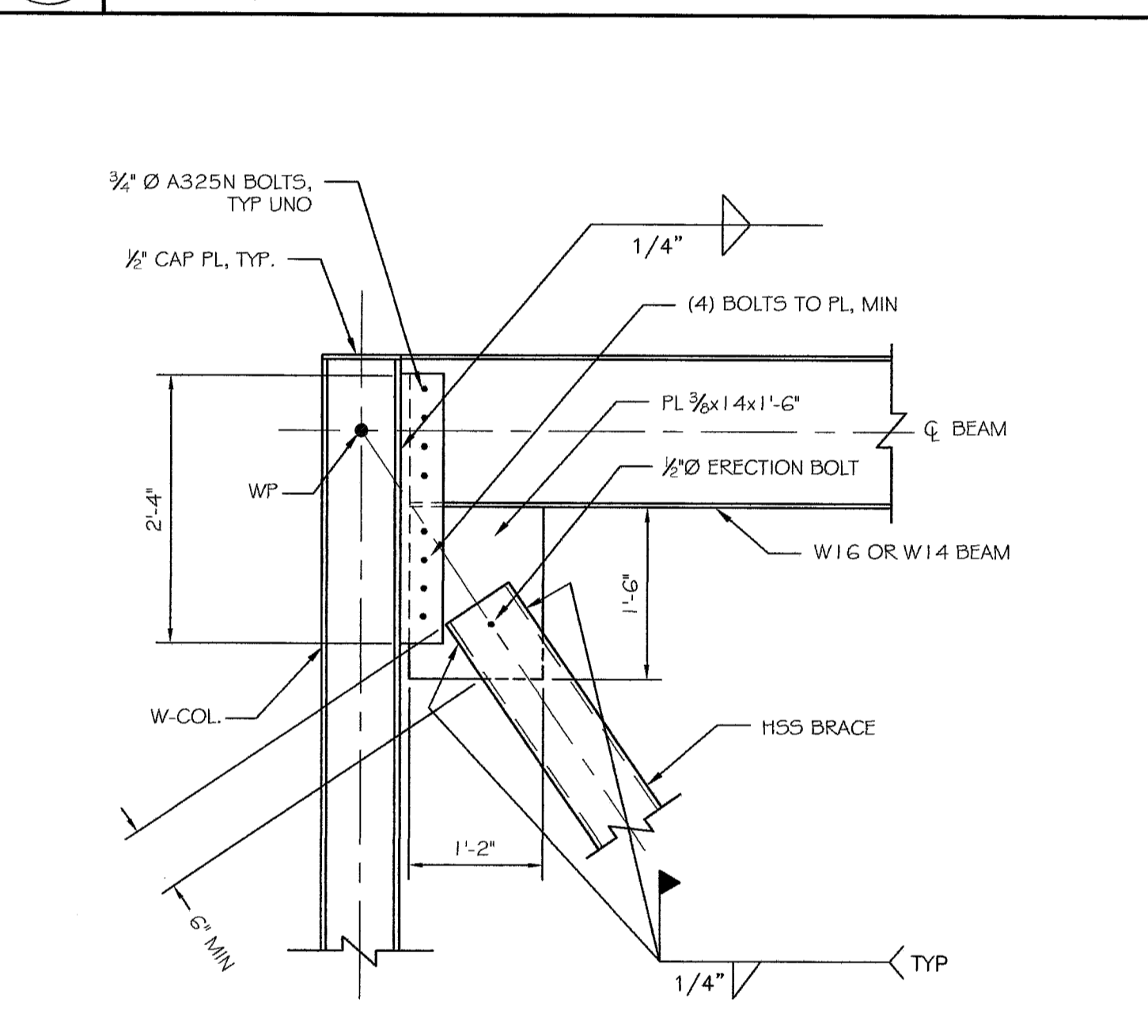
BASE PLATE DETAILS
SCALE: 3/4" = 1'-0"



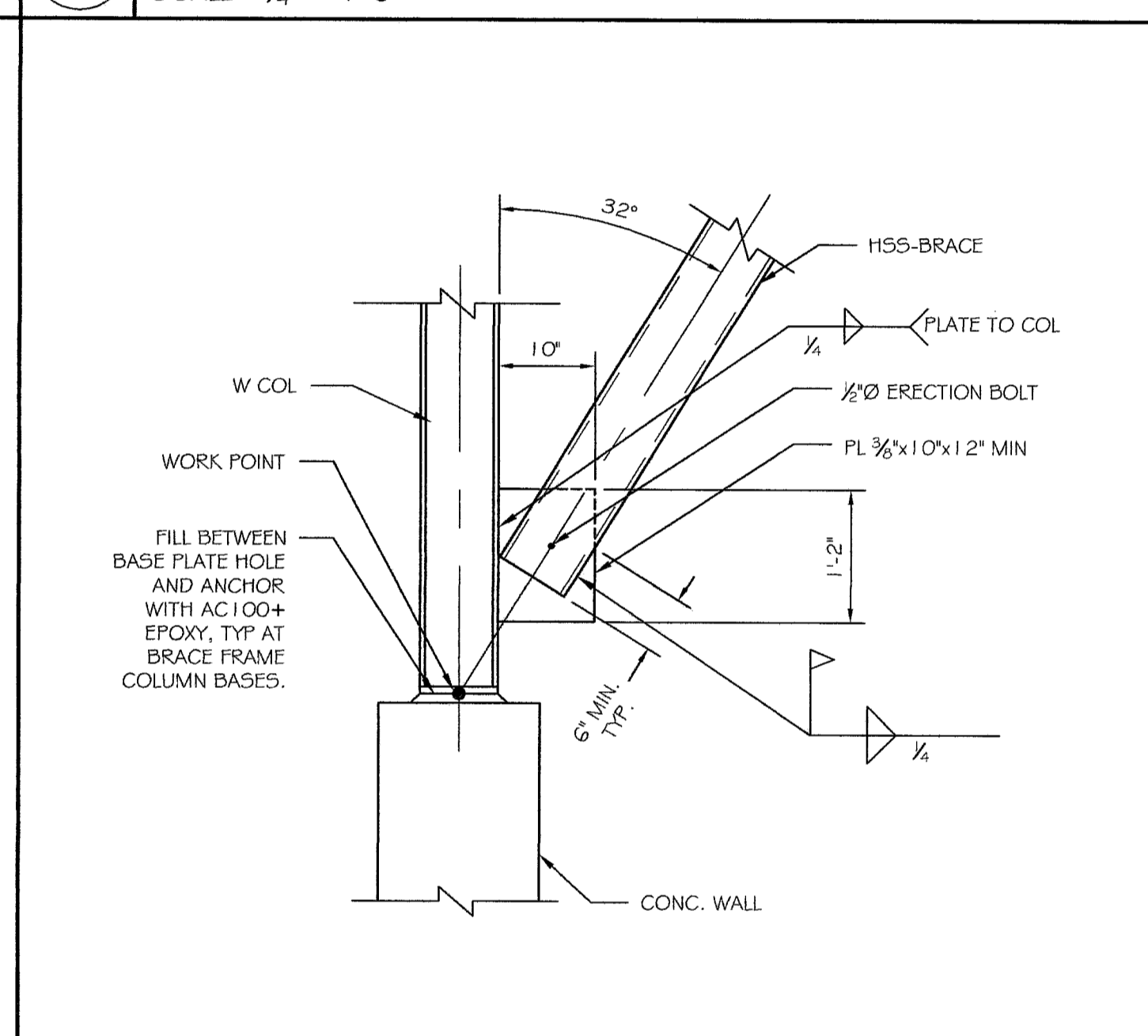
B3 BRACE FRAME CONNECTION
SCALE: 1" = 1'-0"

C1

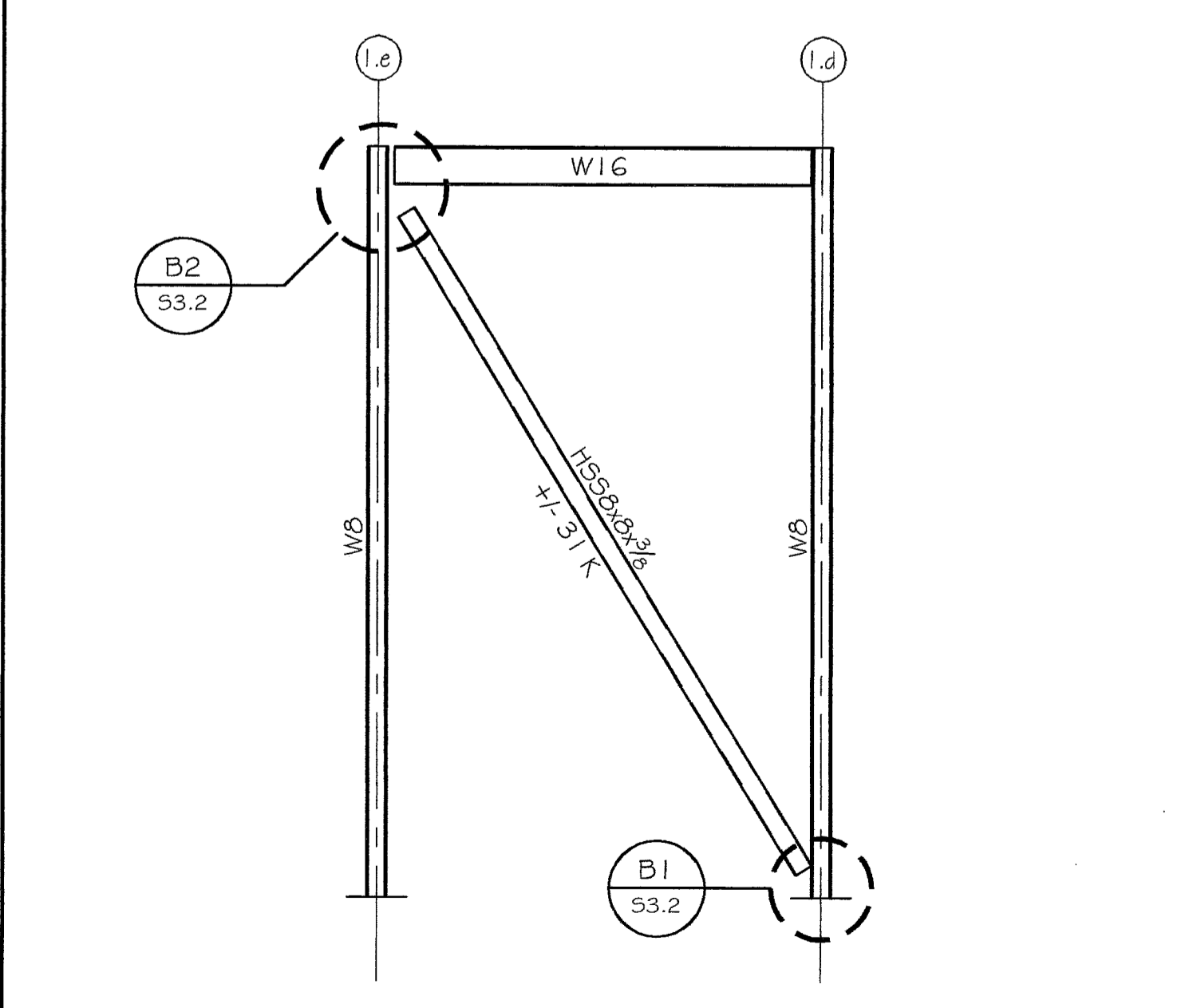
BEAM CONNECTION
SCALE: 3/4" = 1'-0"



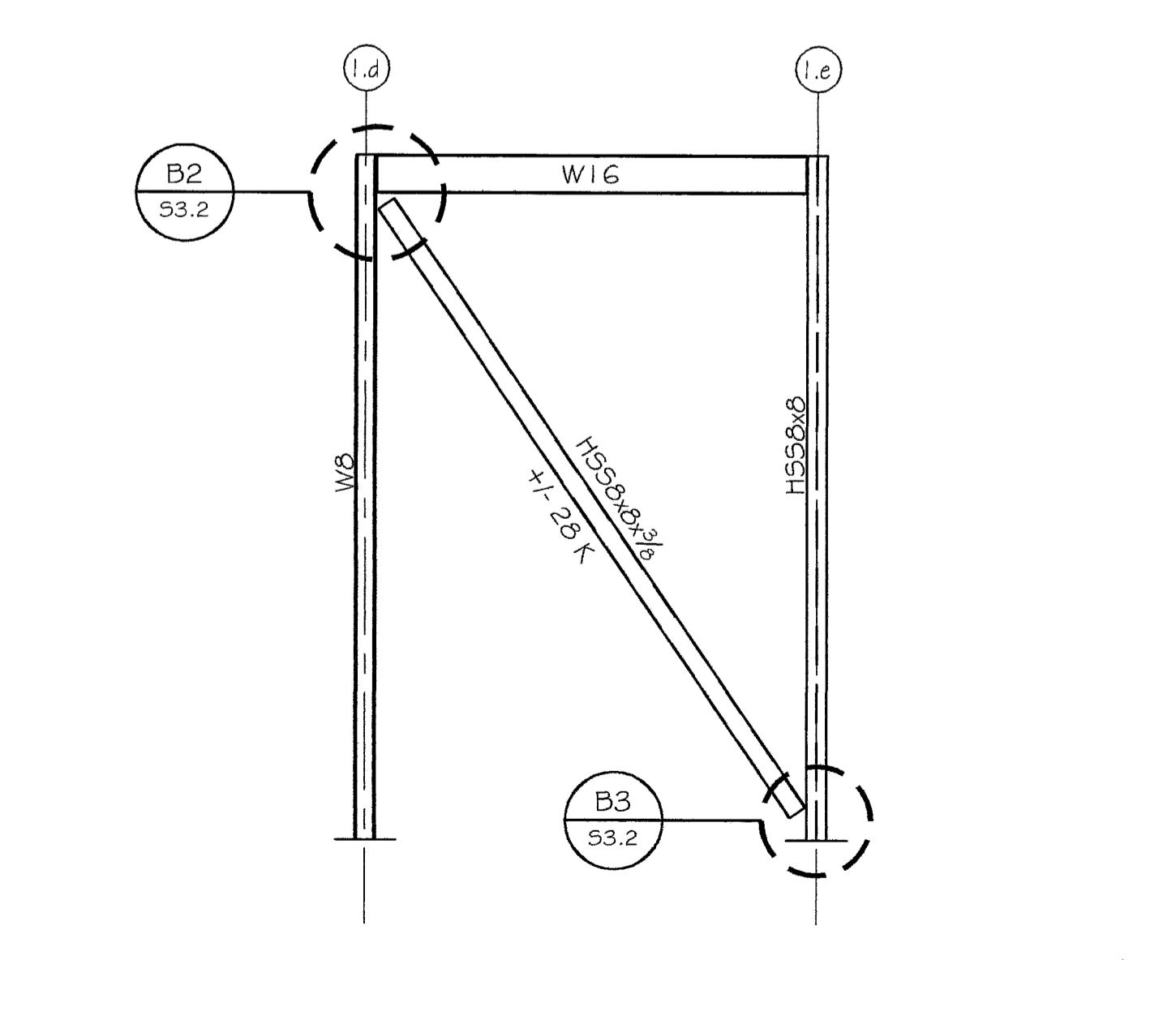
B2 BRACE FRAME CONNECTION
SCALE: 3/4" = 1'-0"



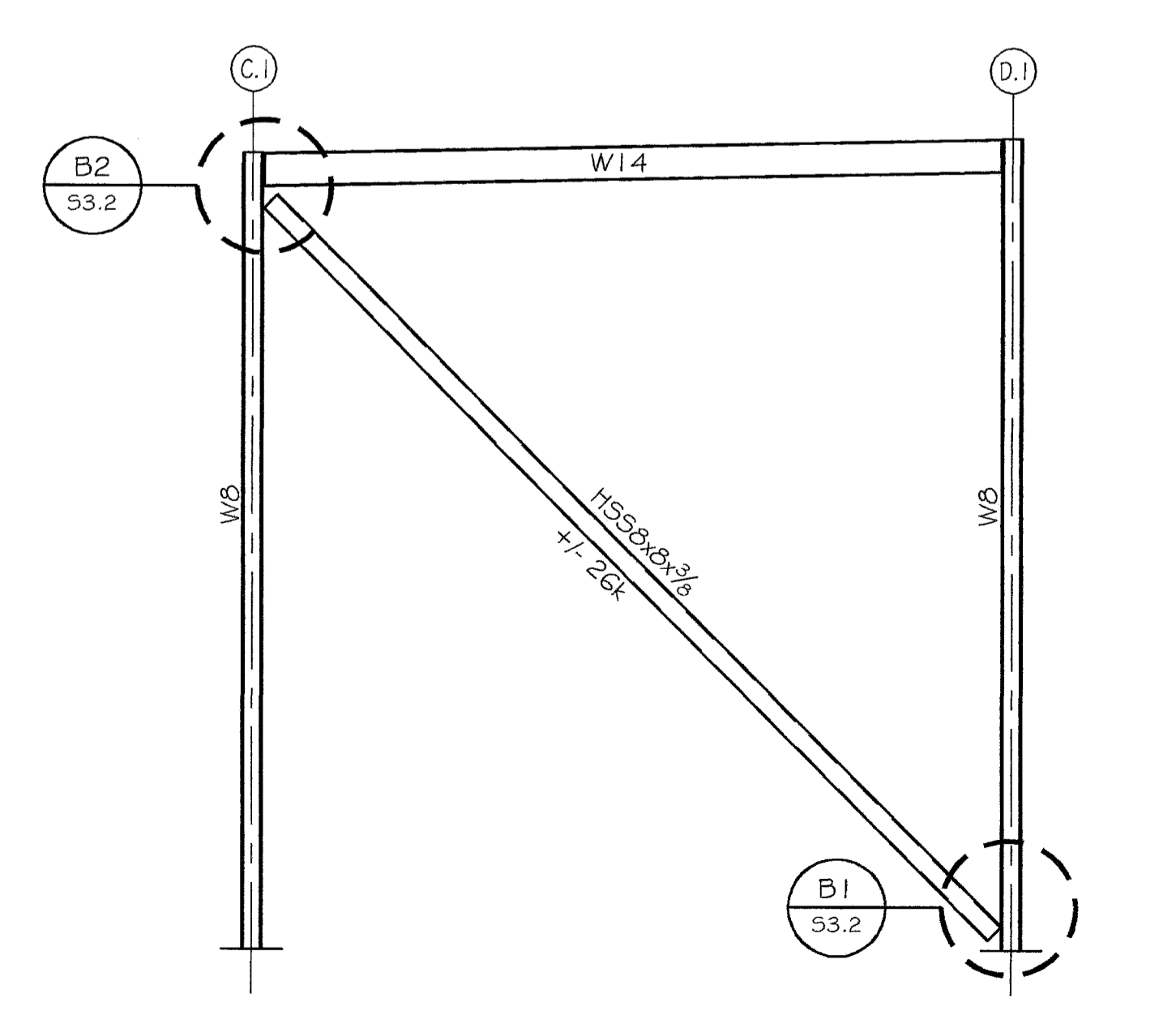
B1 BRACE FRAME CONNECTION
SCALE: 3/4" = 1'-0"



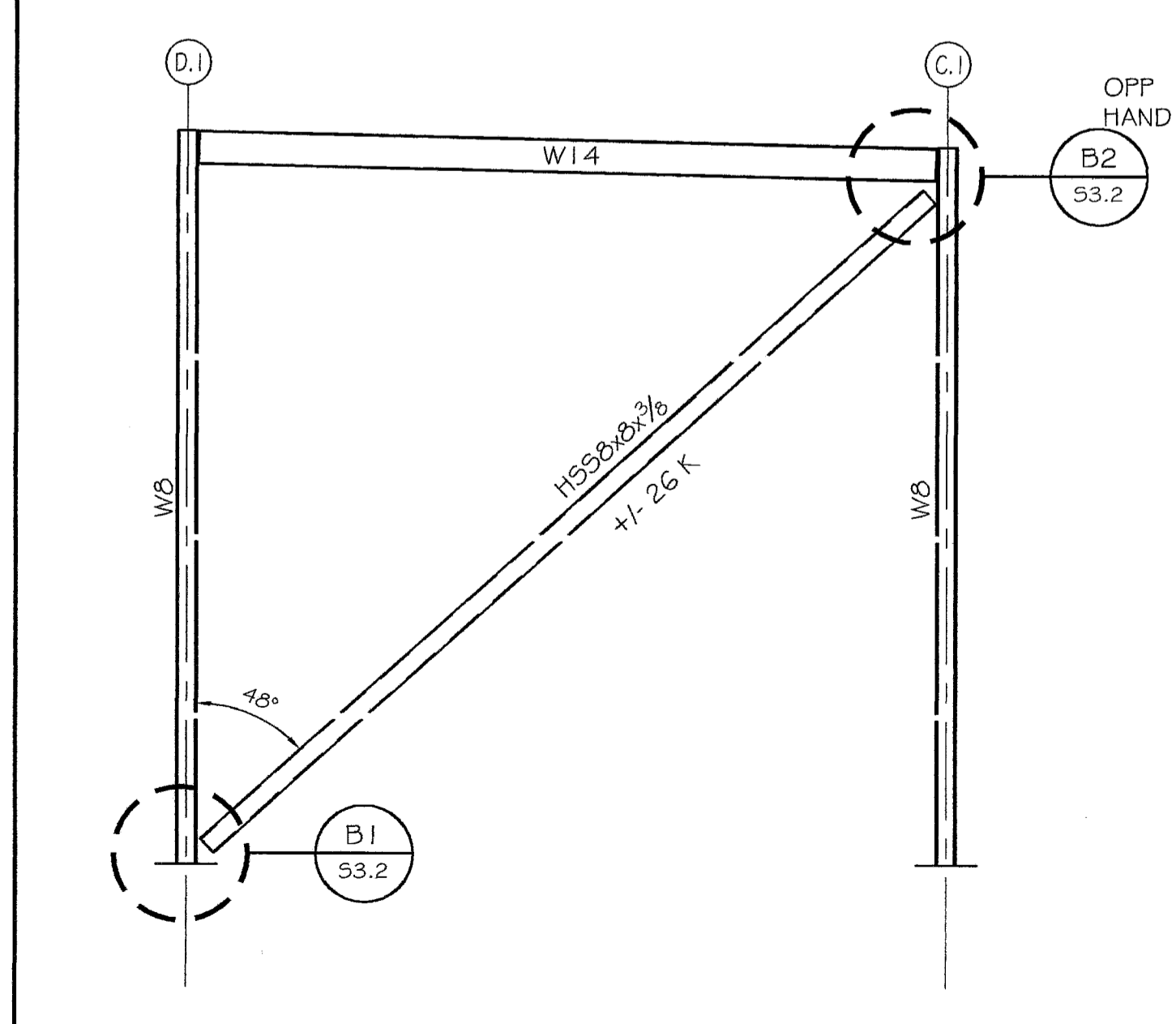
A4 BRACE FRAME 4 - LINE A
SCALE: 3/8" = 1'-0"



A3 BRACE FRAME 3 - LINE F.9
SCALE: 3/8" = 1'-0"



A2 BRACE FRAME 2
SCALE: 3/8" = 1'-0"



A1 BRACE FRAME 1
SCALE: 3/8" = 1'-0"

DRAWN BY:
GABRIELLE RUSSELL, LEED AP
PROJECT DESIGNER / PROJECT COORDINATOR
LANGFORD AND LOW
MASTER OF ARCHITECTURE, TULANE UNIVERSITY
BACHELOR OF ARCHITECTURE, TULANE UNIVERSITY

REVIEWED BY

JOB NUMBER
1028

DESIGN DRAWINGS, ELECTRONIC FILES, PHOTOS AND RELATED INFORMATION ARE PROPERTY OF LANGFORD AND LOW, INC. AND SHALL NOT BE REPLICATED OR COPIED WITHOUT THE OWNERS WRITTEN CONSENT.

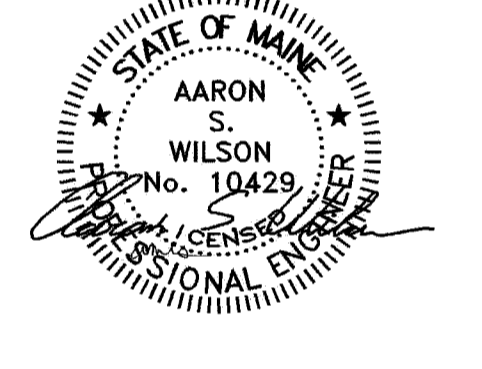
DRAWING STATUS

- OFFICE REVIEW
- CLIENT REVIEW
- PERMIT SET - FRAMING ONLY
- BID / ESTIMATING SET
- CONTRACT DRAWINGS
- CONSTRUCTION SET

CONSULTANTS

STRUCTURAL ASSOCIATED DESIGN PARTNERS
MECHANICAL -
ELECTRICAL -
LANDSCAPE -
CODE -
DESIGN: LANGFORD AND LOW

LICENSED PROFESSIONAL'S SEAL



PROJECT NAME & LOCATION
ALLAGASH BREWERY
Addition
50 INDUSTRIAL WAY
PORTLAND, MAINE

DRAWING TITLE
FRAMING DETAILS

DATE
SEPTEMBER 9, 2010

REVISIONS

REVISION #:	DATE:	DESCRIPTION:

SCALE
AS NOTED

SHEET NUMBER
S3.2

DRAWN BY:
GABRIELLE RUSSELL, LEED AP
PROJECT DESIGNER / PROJECT COORDINATOR
LANGFORD AND LOW
MASTER OF ARCHITECTURE, TULANE UNIVERSITY
BACHELOR OF ARCHITECTURE, TULANE UNIVERSITY

REVIEWED BY

JOB NUMBER
1028

DESIGN DRAWINGS, ELECTRONIC FILES, PHOTOS AND RELATED INFORMATION ARE PROPERTY OF LANGFORD AND LOW, INC. AND SHALL NOT BE REPLICATED OR COPIED WITHOUT THE OWNERS WRITTEN CONSENT.

DRAWING STATUS

- OFFICE REVIEW
- CLIENT REVIEW
- PERMIT SET - FRAMING ONLY
- BID / ESTIMATING SET
- CONTRACT DRAWINGS
- CONSTRUCTION SET

CONSULTANTS

STRUCTURAL: ASSOCIATED DESIGN PARTNERS

MECHANICAL: -

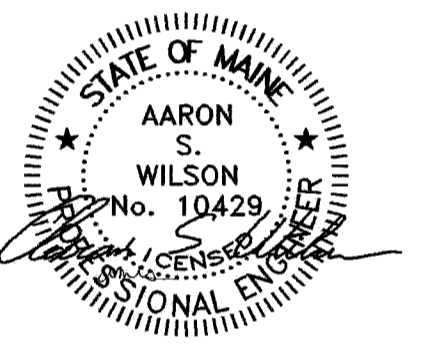
ELECTRICAL: -

LANDSCAPE: -

CODE: -

DESIGN: LANGFORD AND LOW

LICENSED PROFESSIONAL'S SEAL



PROJECT NAME & LOCATION

ALLAGASH BREWERY
Addition
50 INDUSTRIAL WAY
PORTLAND, MAINE

DRAWING TITLE

FRAMING DETAILS

DATE

SEPTEMBER 9, 2010

REVISIONS

REVISION #:
DATE:
DESCRIPTION:

REVISION #:
DATE:
DESCRIPTION:

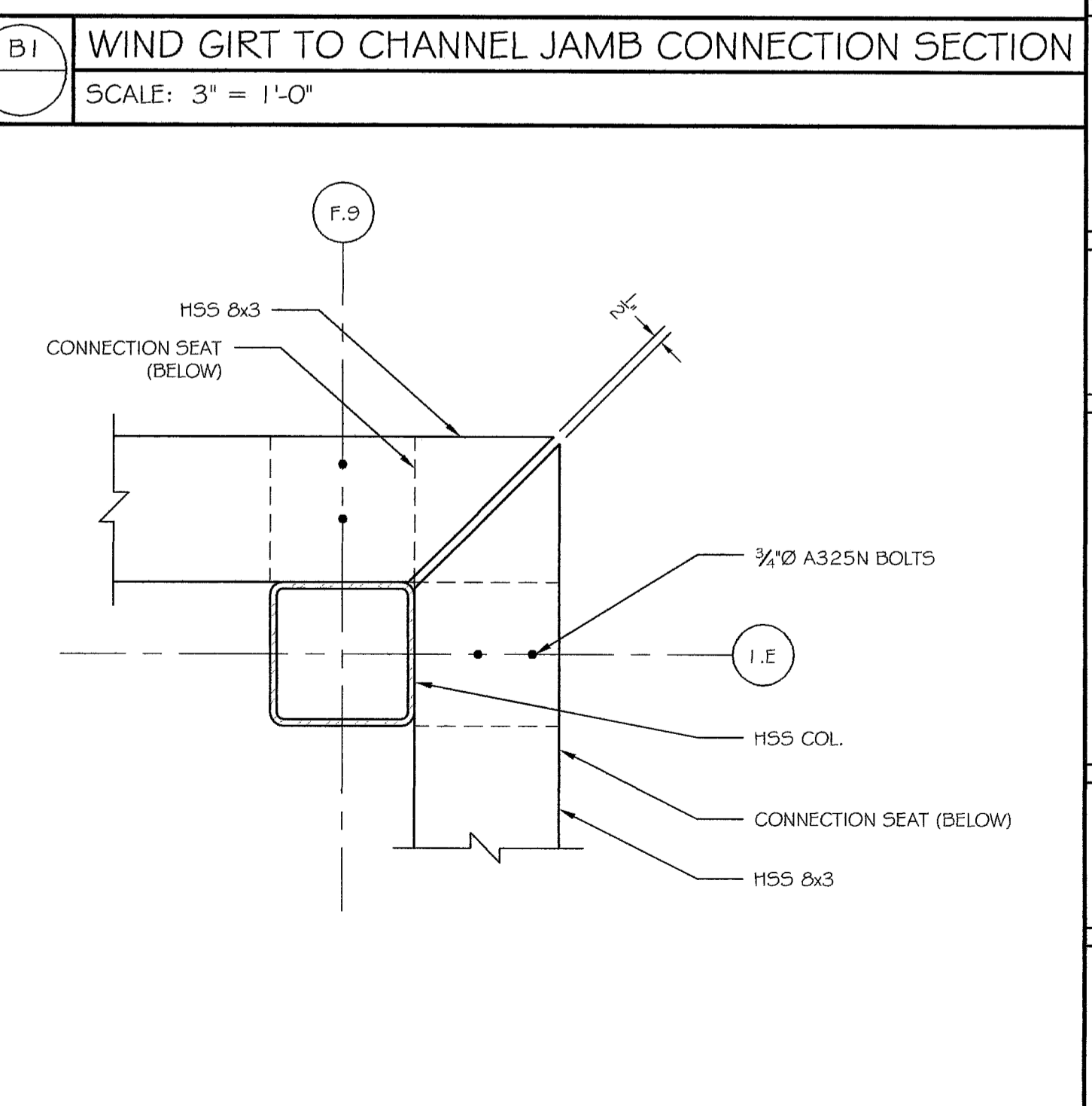
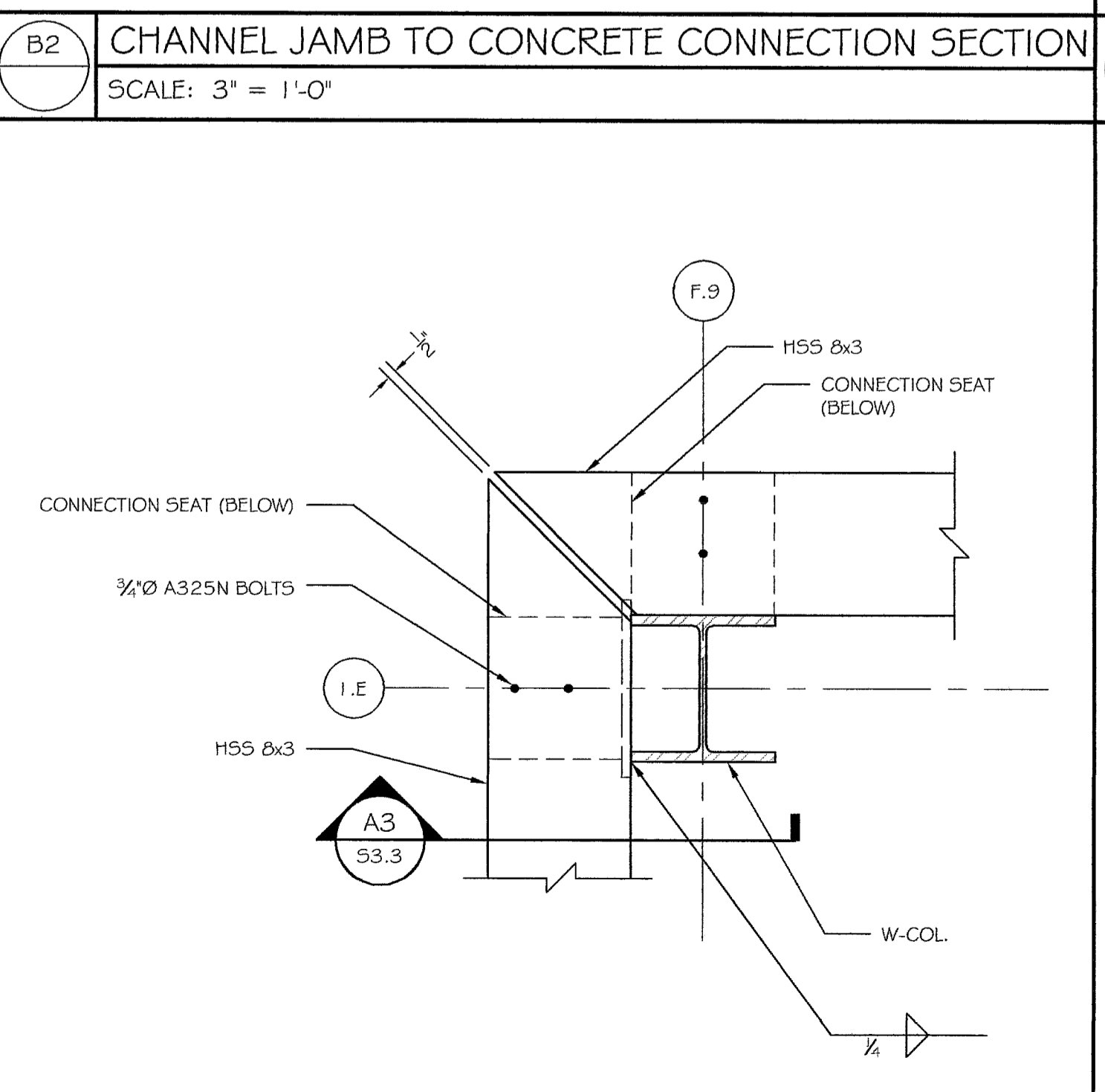
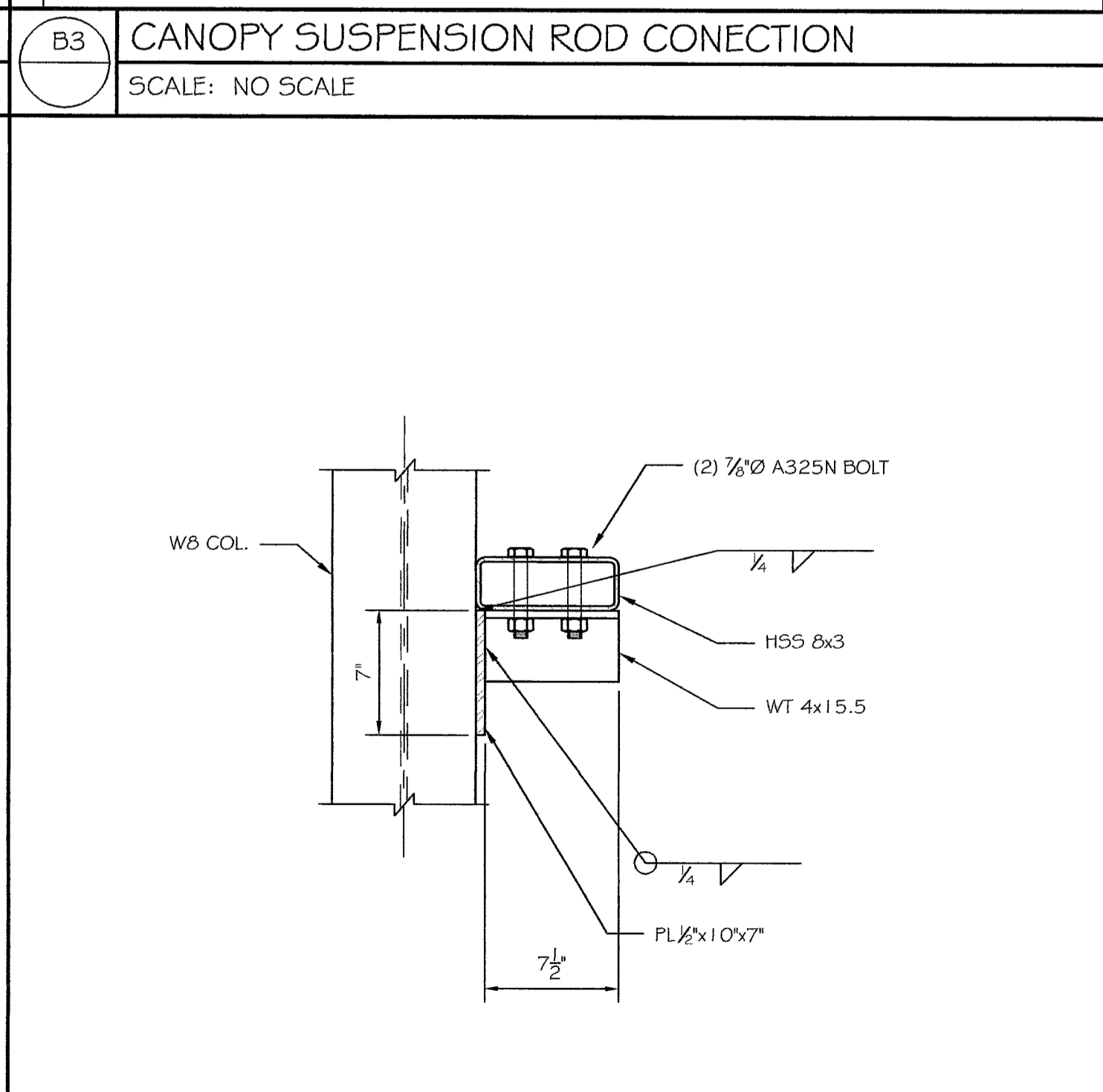
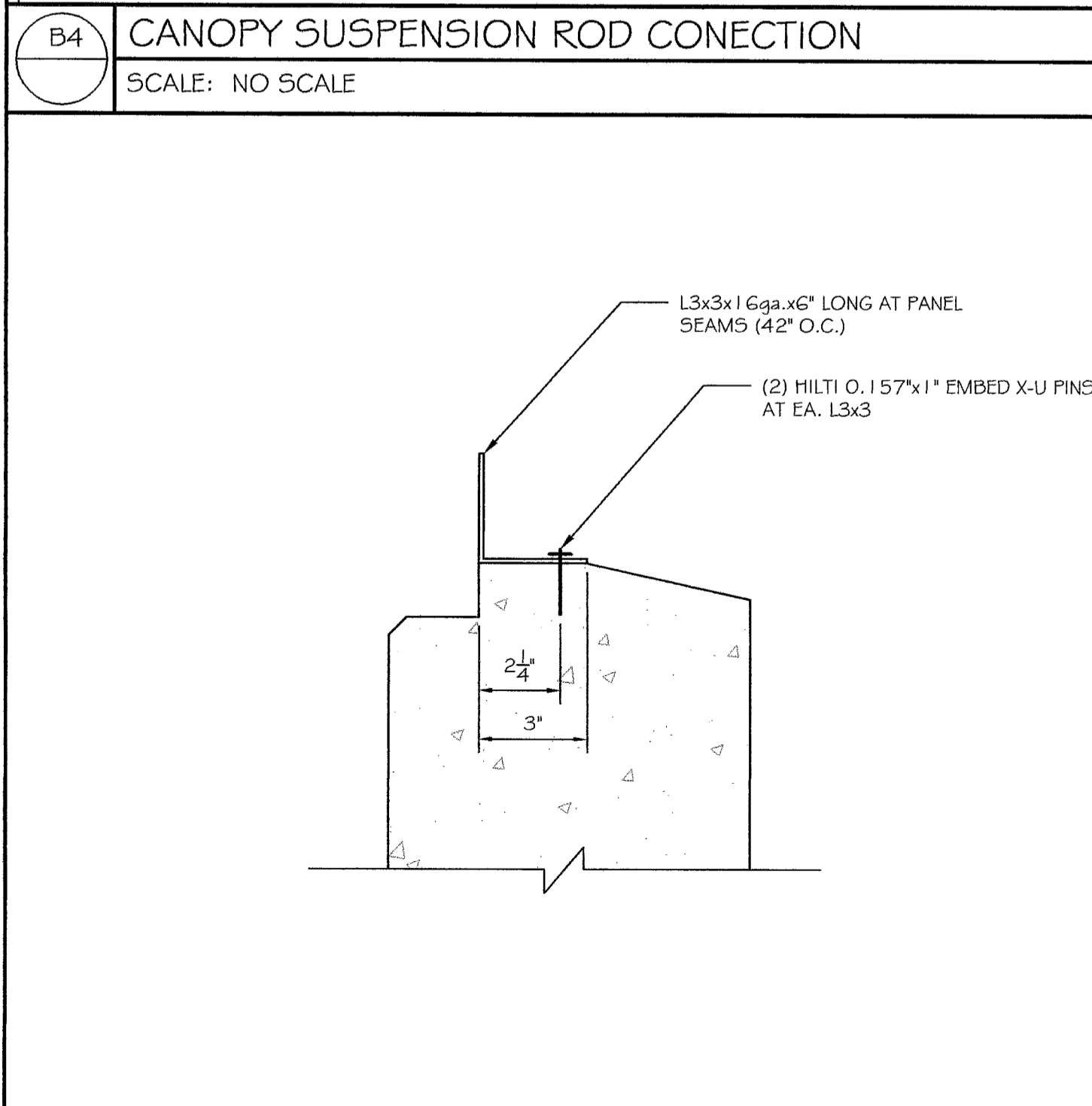
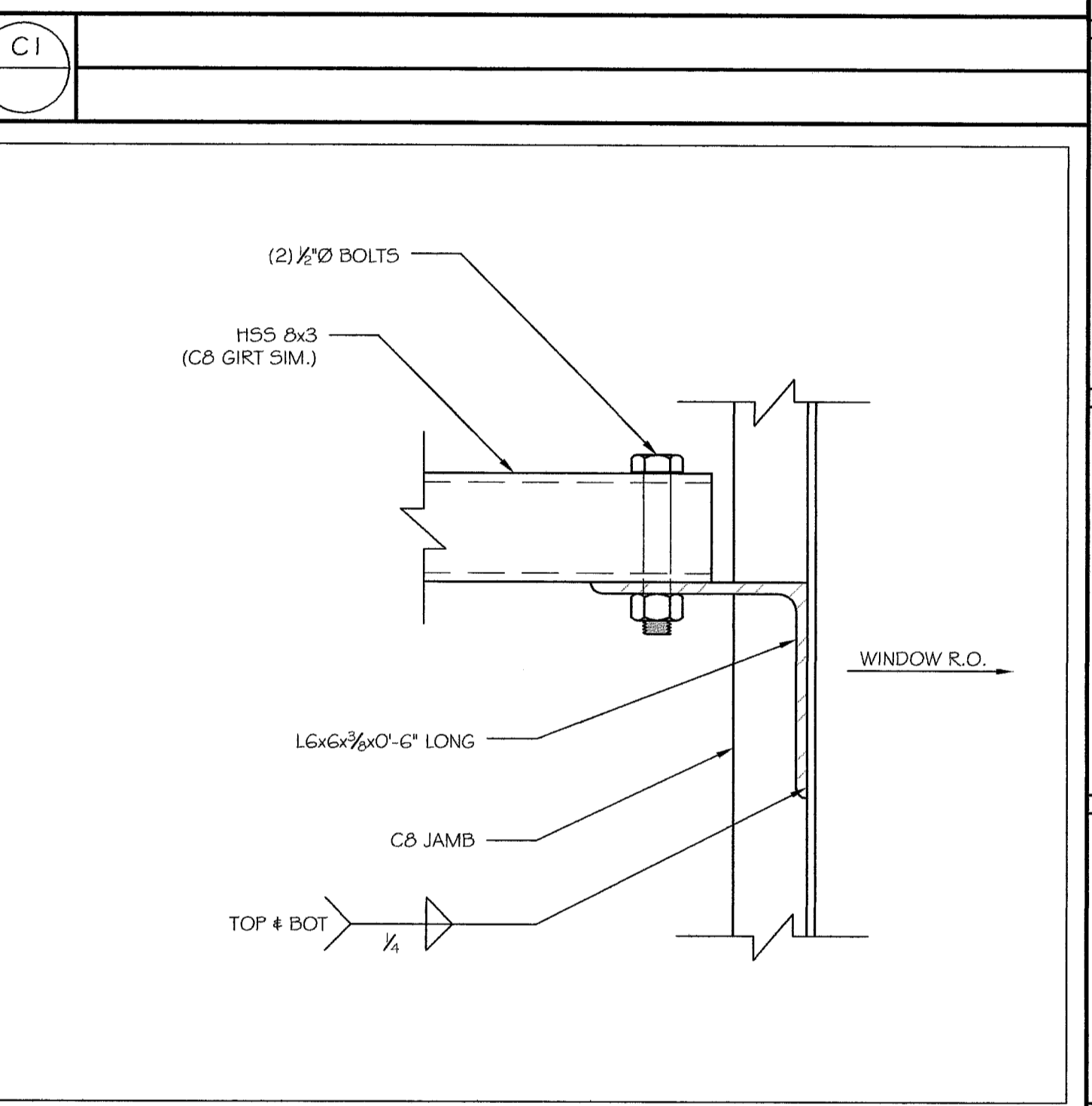
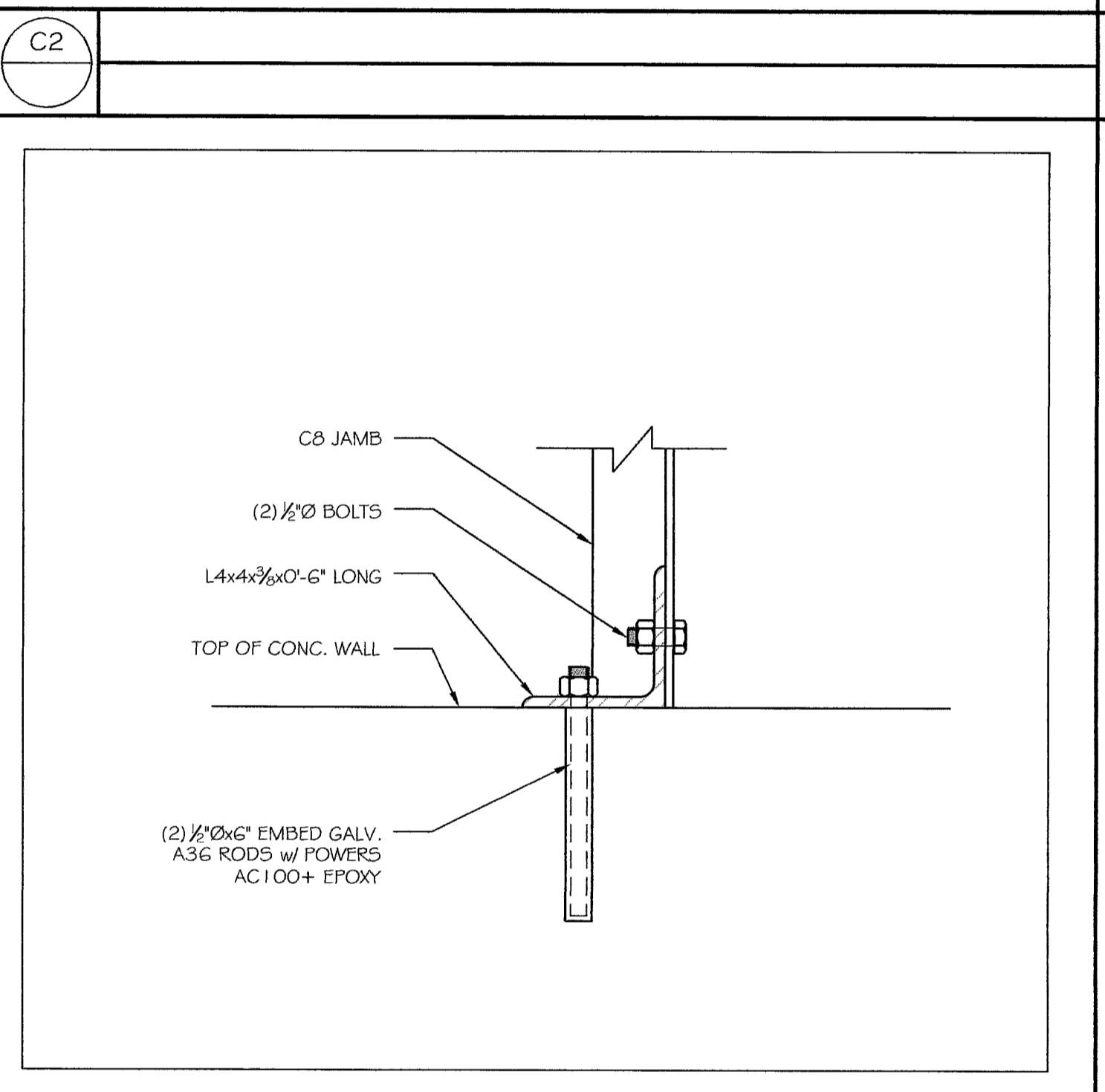
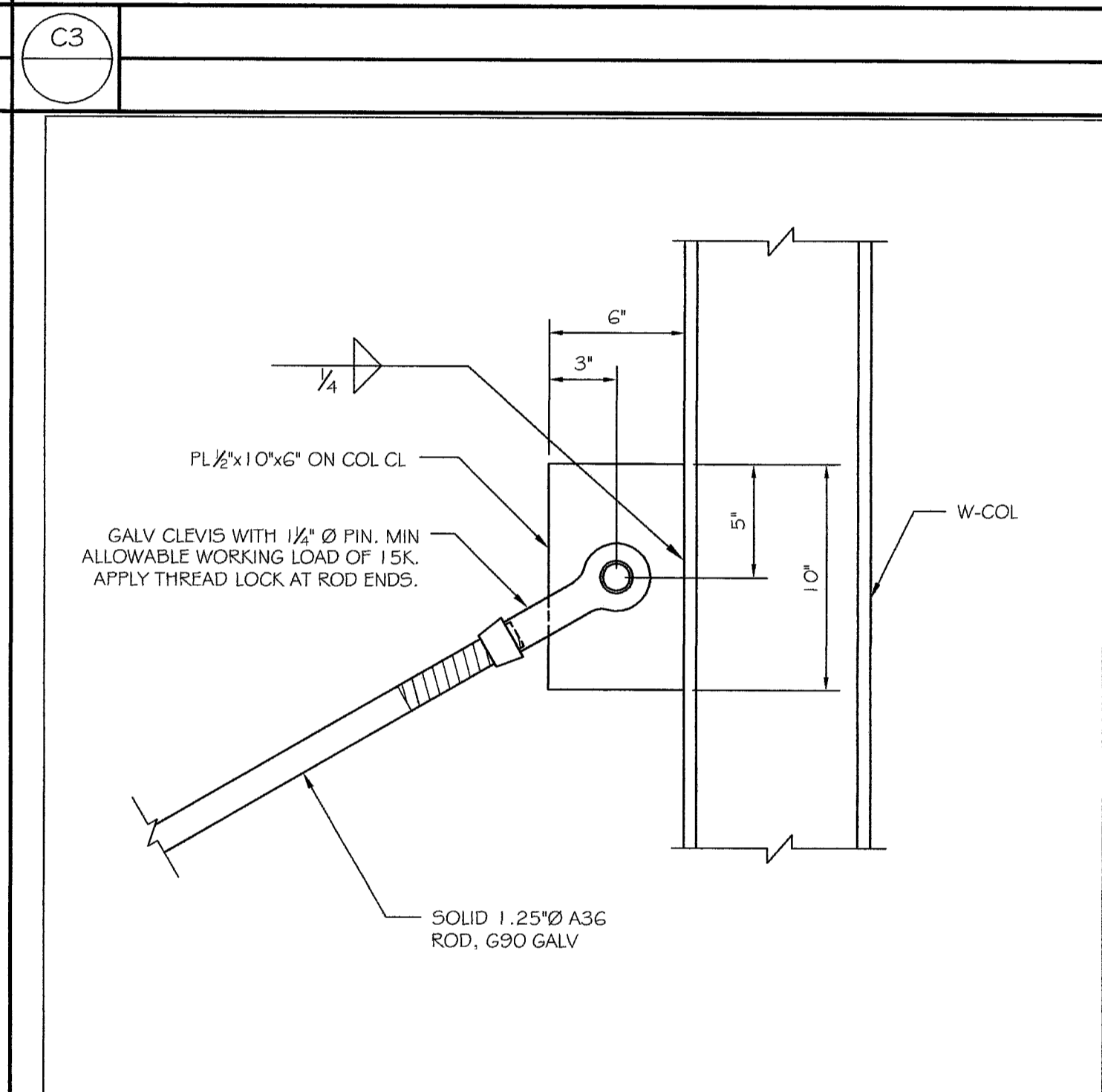
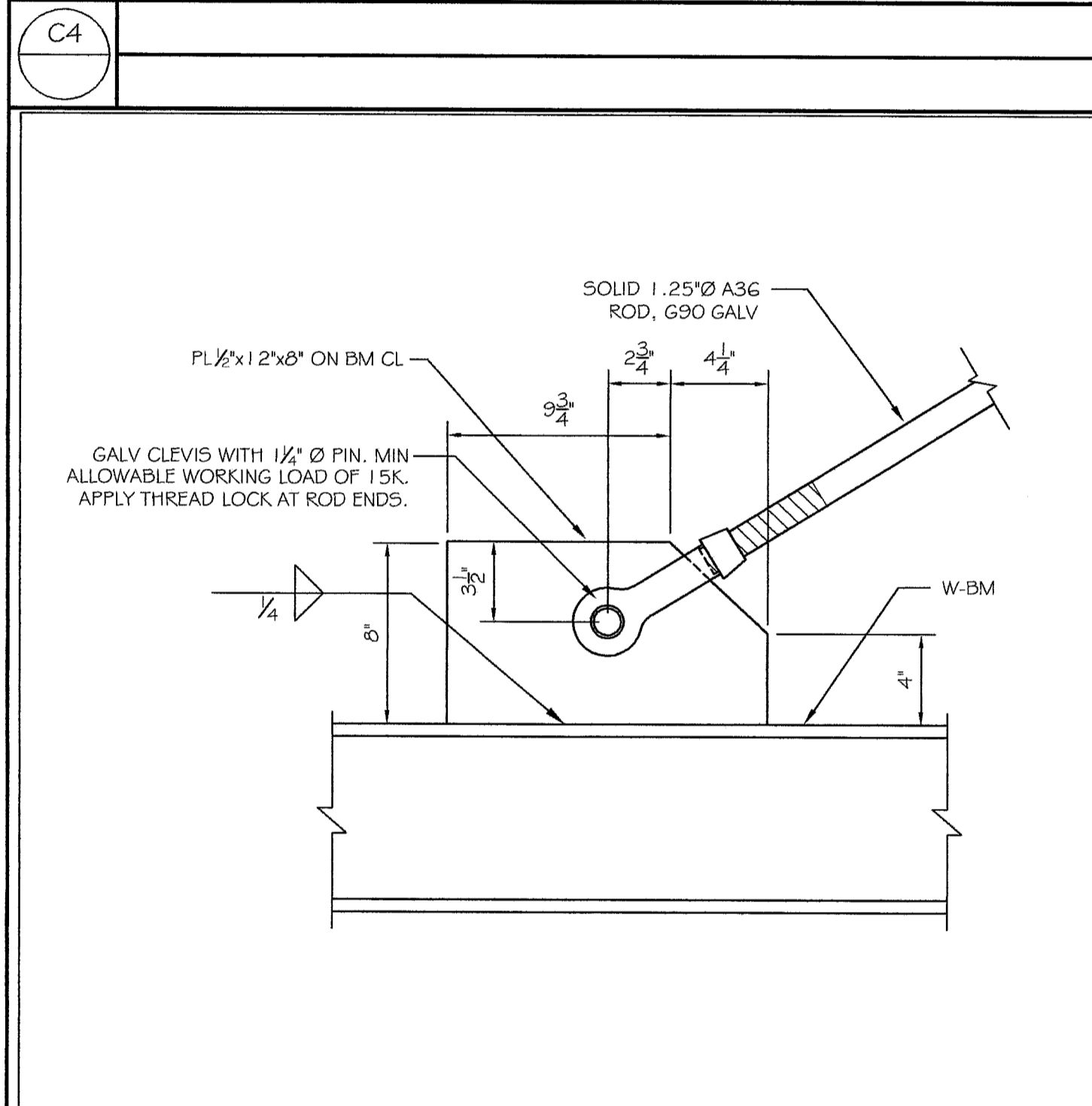
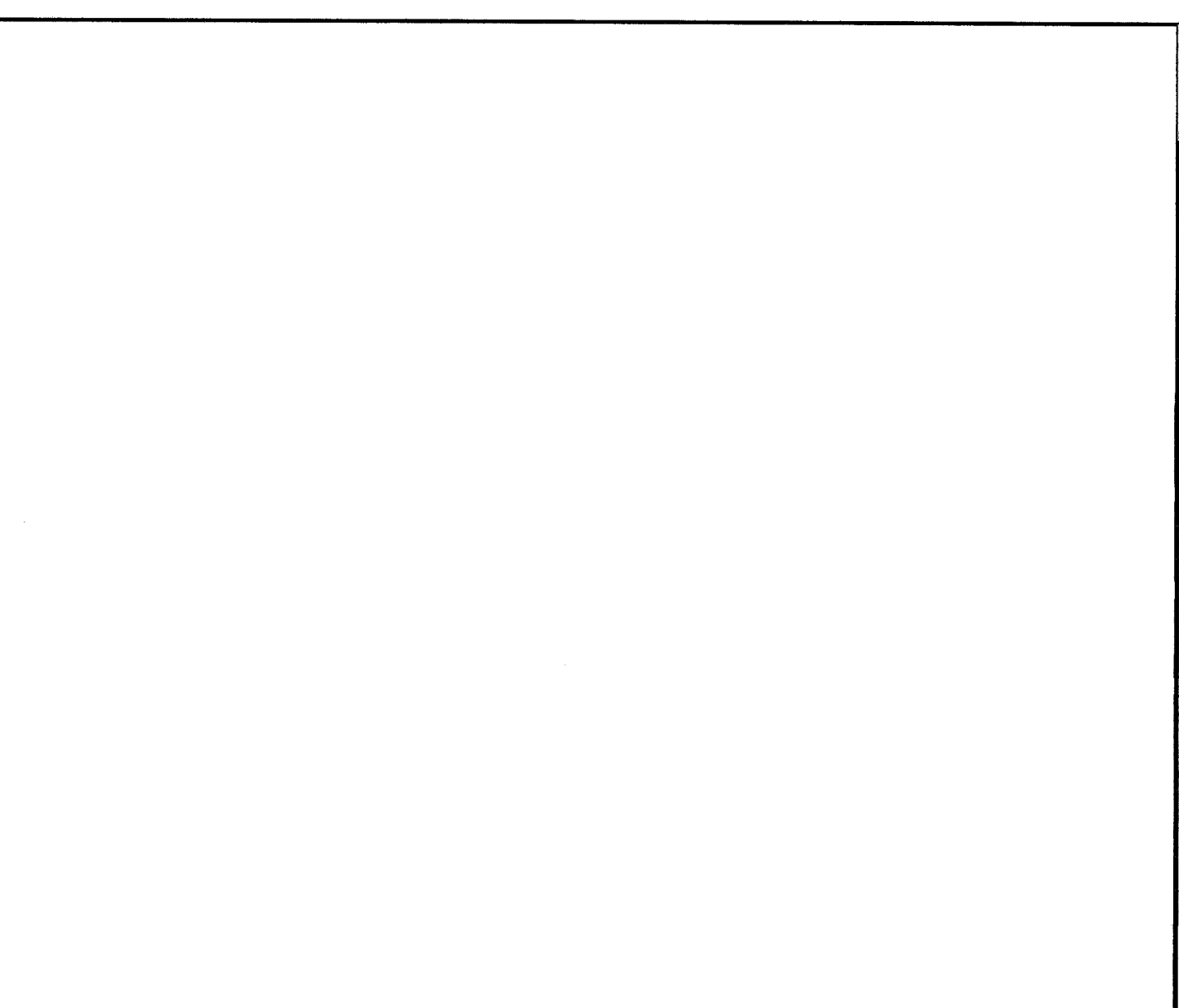
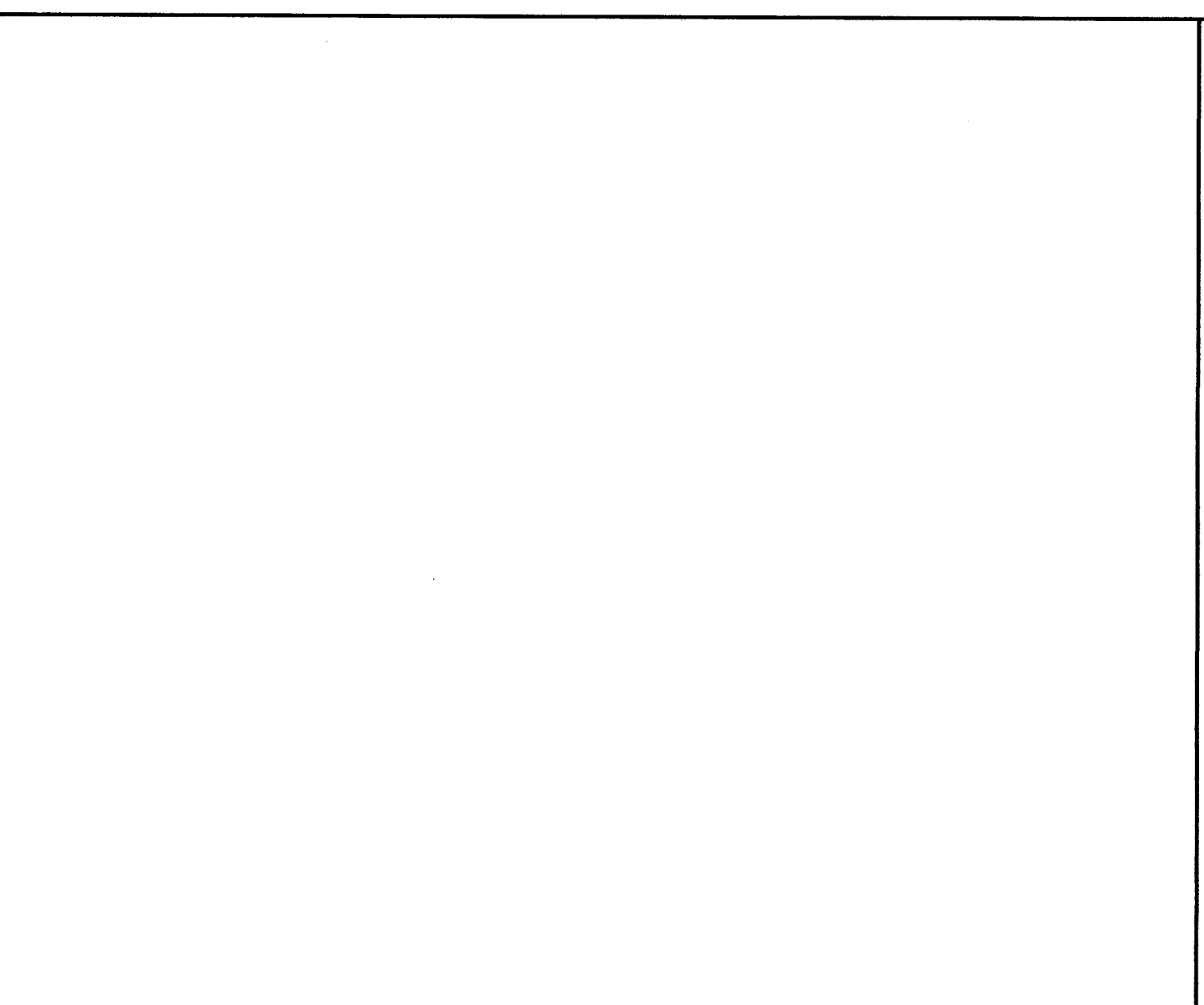
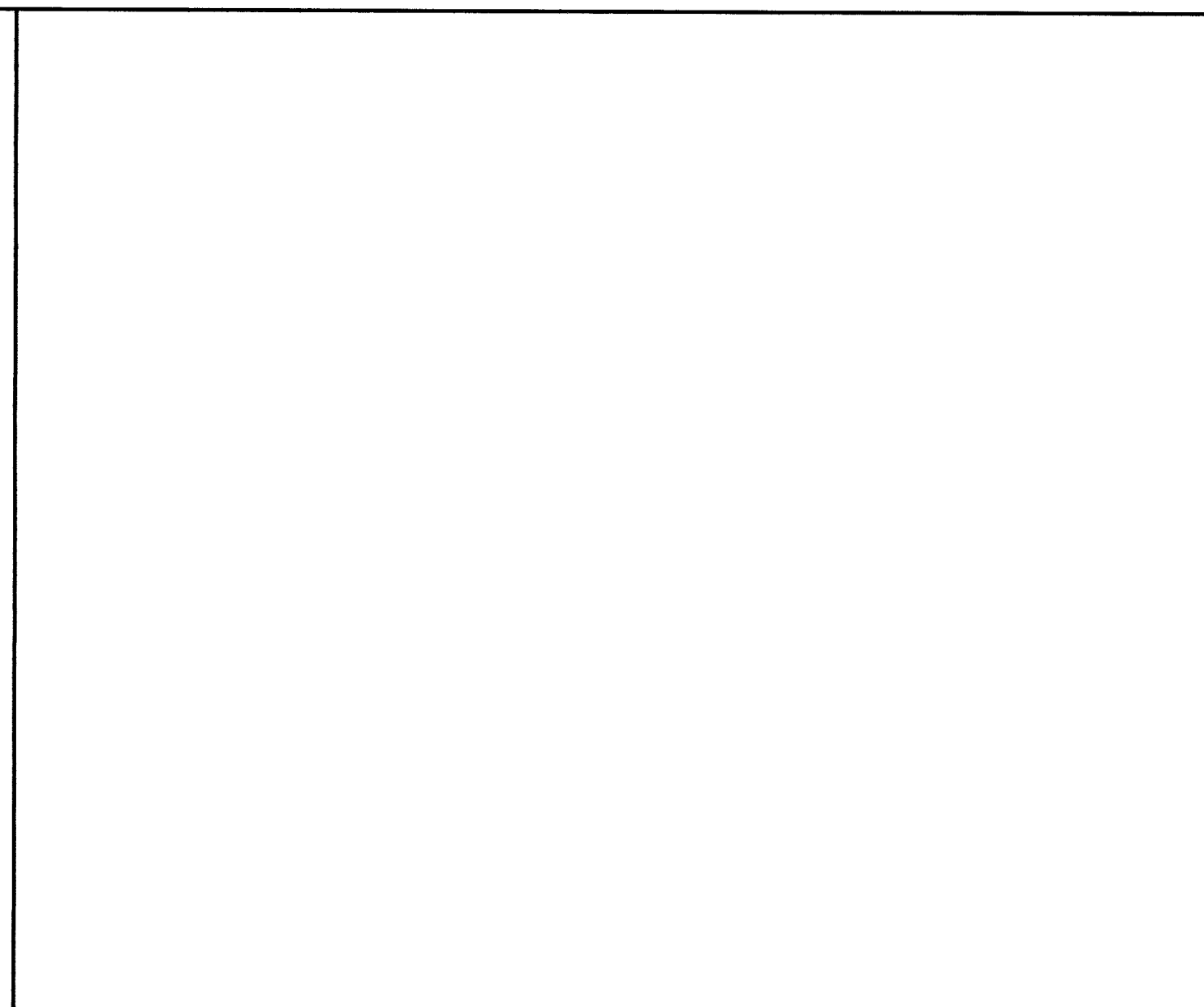
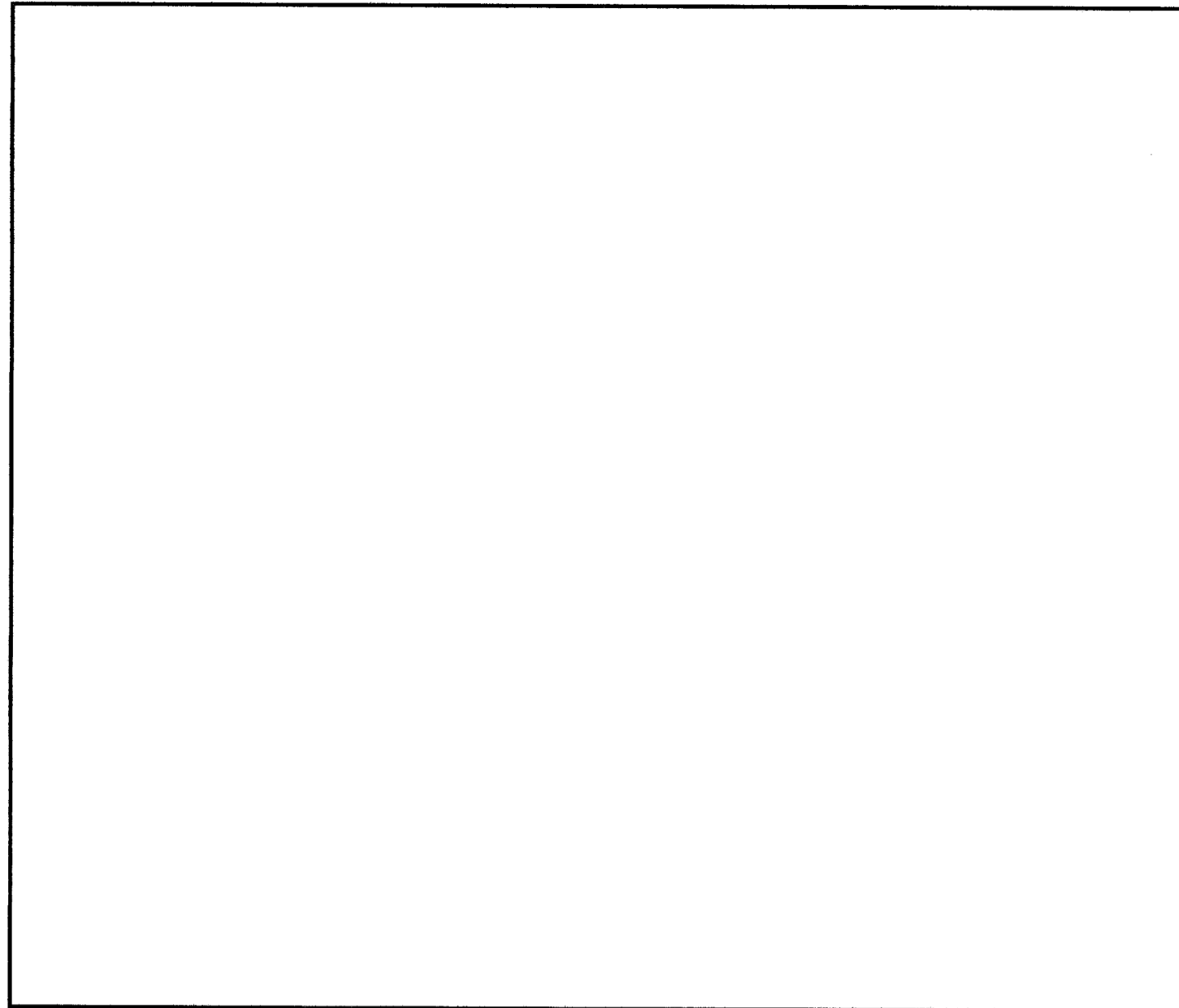
REVISION #:
DATE:
DESCRIPTION:

SCALE

AS NOTED

SHEET NUMBER

S3.3



A4 WALL PANEL CLIP DETAIL
SCALE: 3" = 1'-0"

A3 GIRT CORNER CONNECTION SECTION
SCALE: 1 1/2" = 1'-0"

A2 GIRT CORNER CONNECTION DETAIL
SCALE: 1 1/2" = 1'-0"

A1 GIRT CORNER CONNECTION DETAIL
SCALE: 1 1/2" = 1'-0"