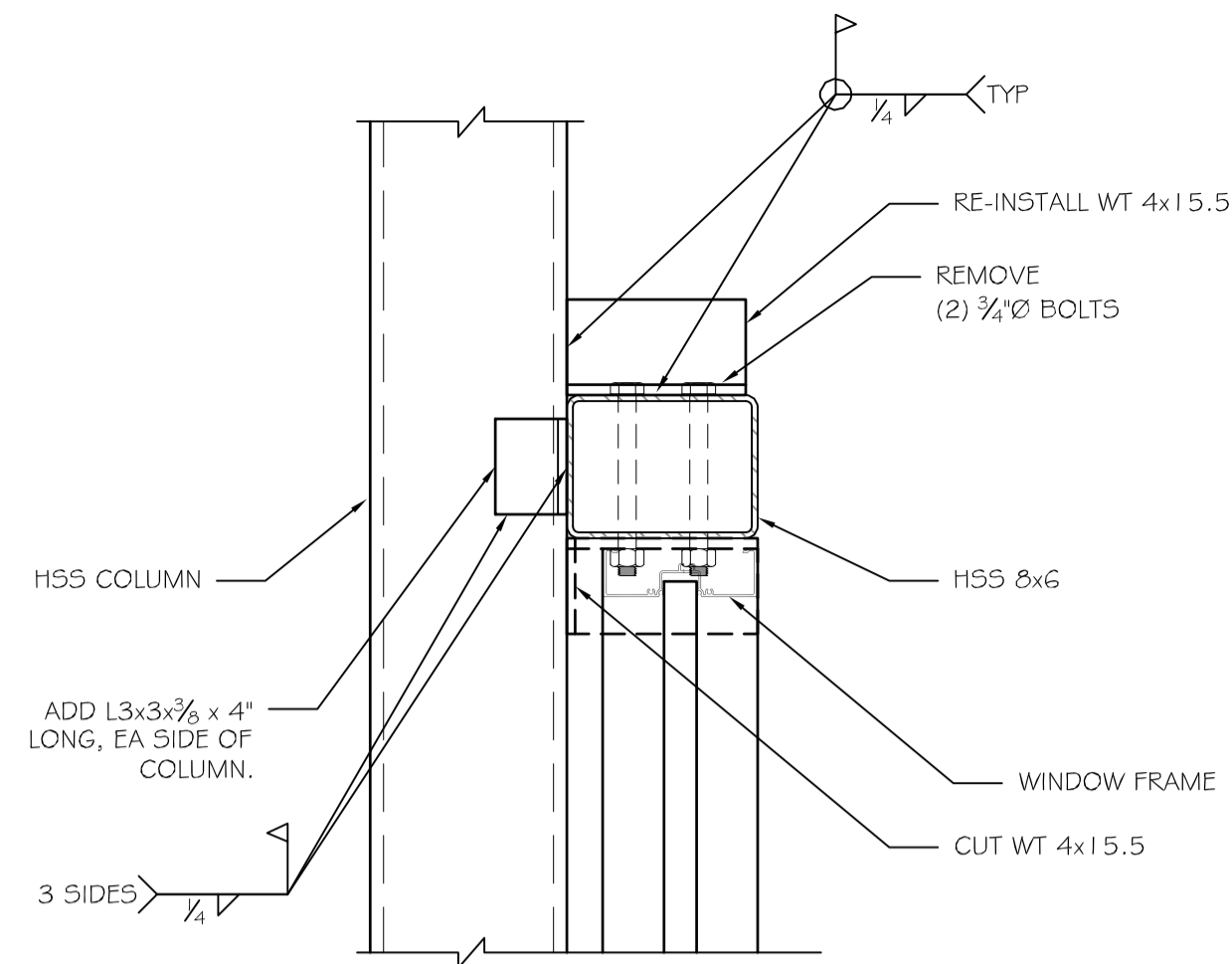
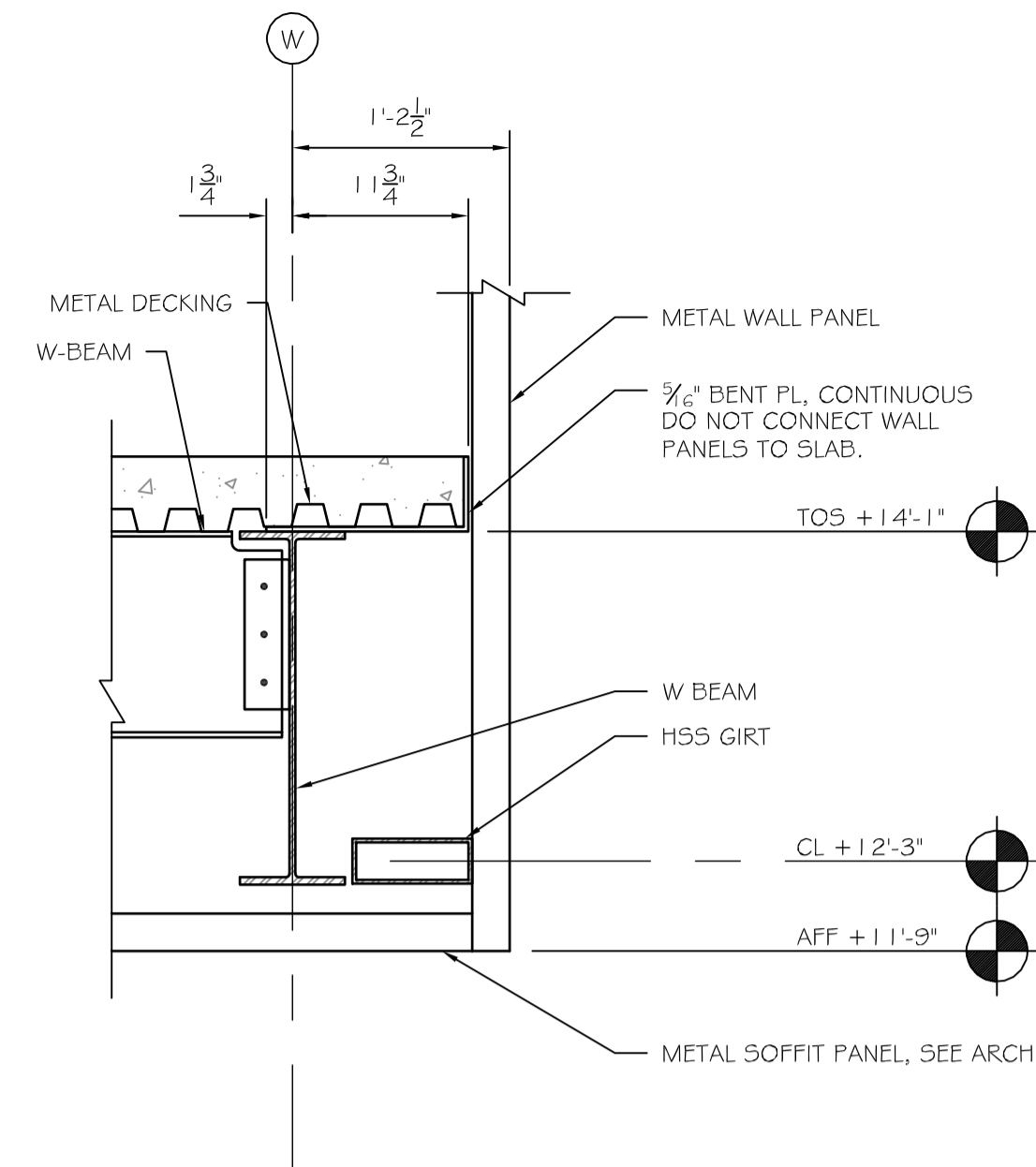




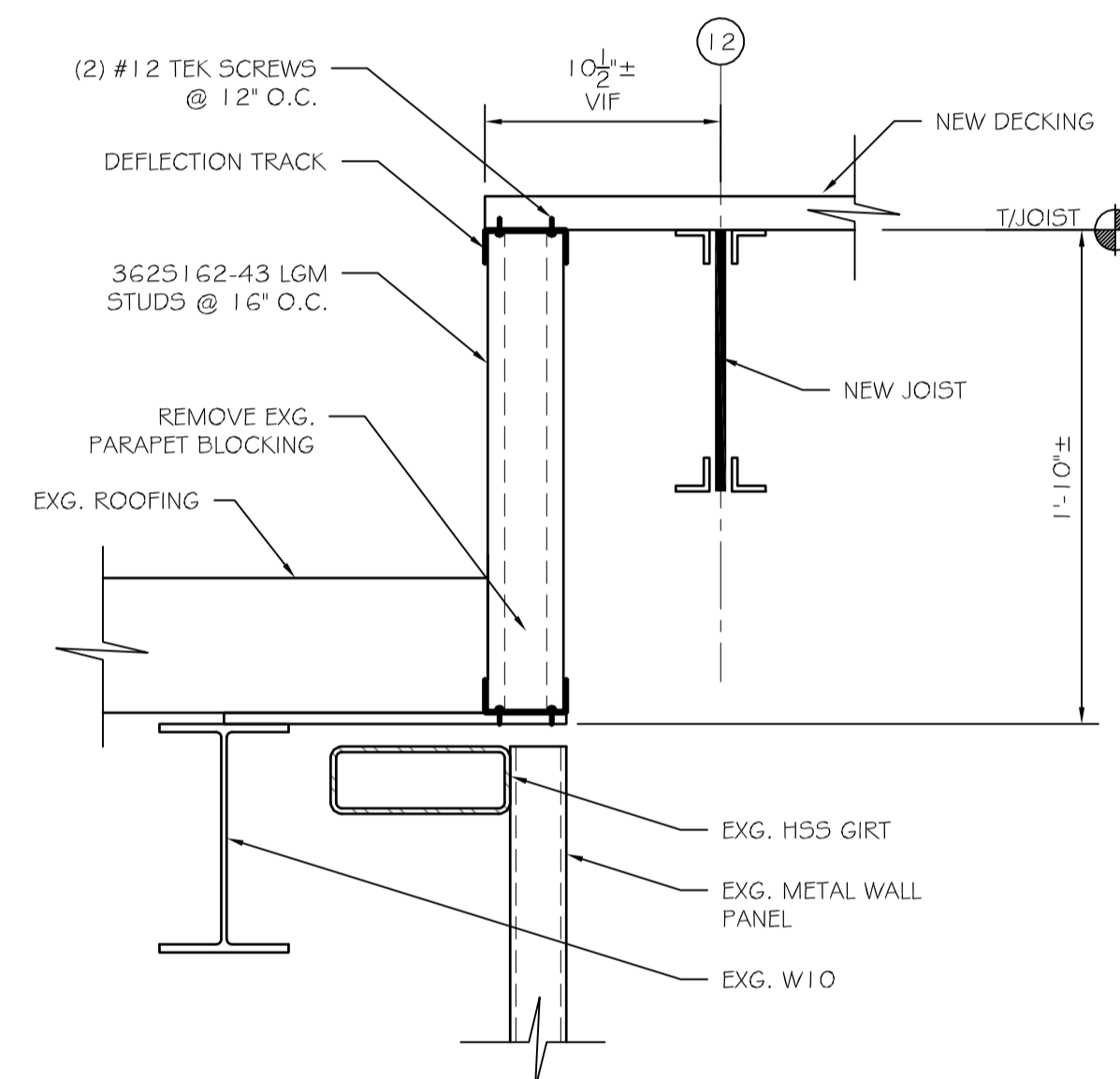
Reviewed for Code Compliance  
Inspection Division  
Approved with Conditions  
Date: 09/15/14



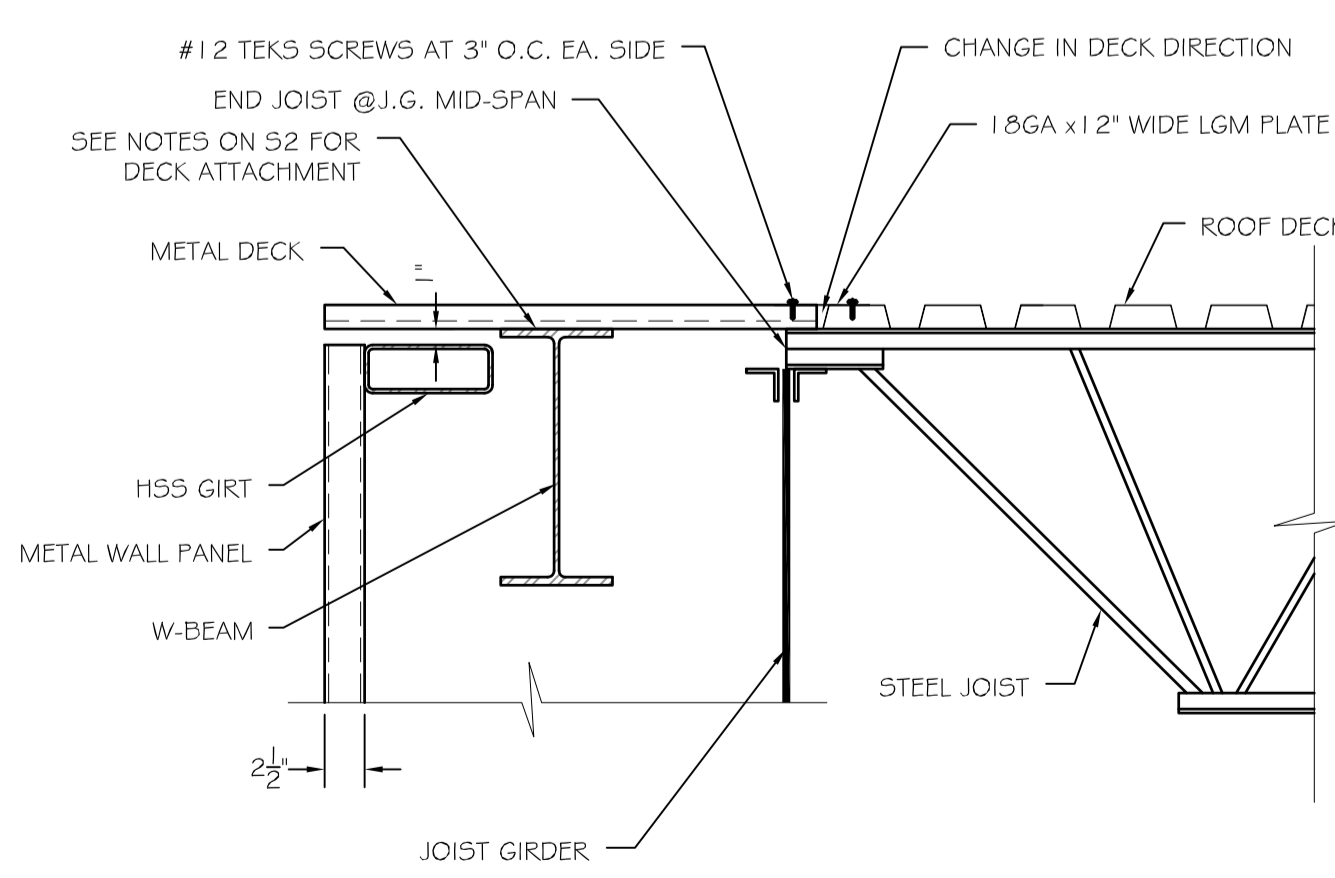
C3 HSS WIND GIRTS CONNECTION AT COL Q-6.1  
SCALE: 1/2" = 1'-0"



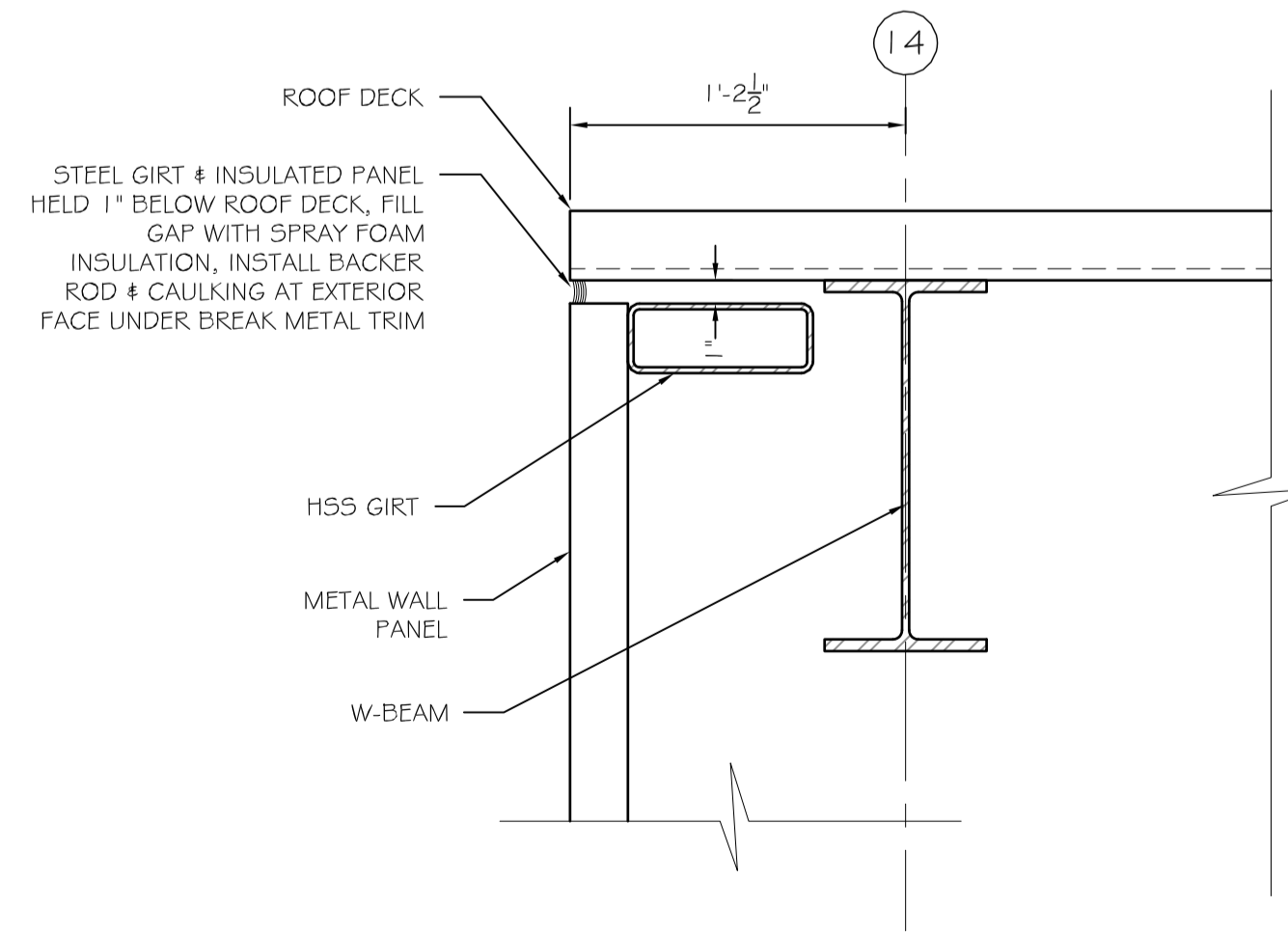
C1 DETAIL  
SCALE: 1" = 1'-0"



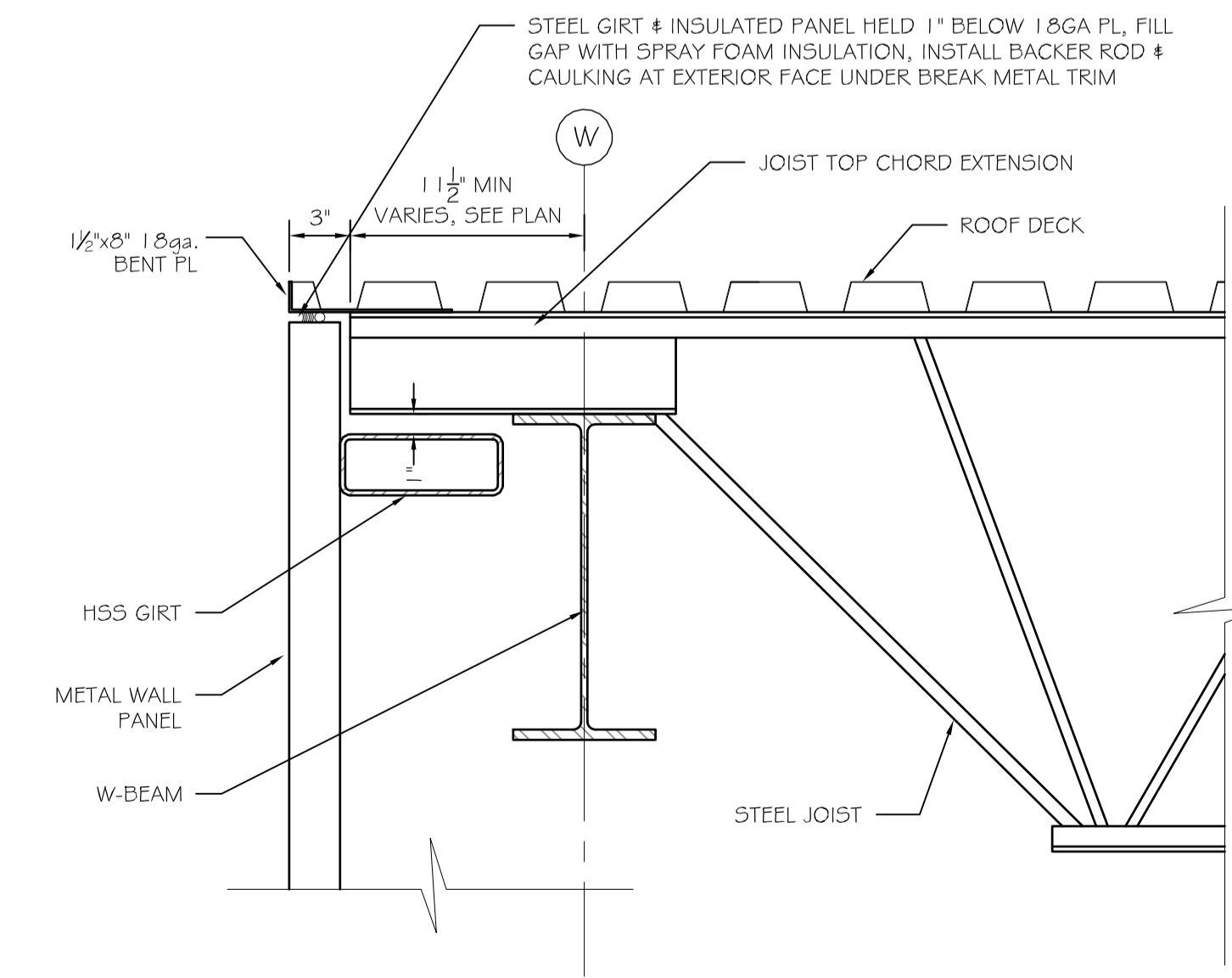
B2 DETAIL  
SCALE: 1/2" = 1'-0"



A3 GIRTS DETAIL AT CANOPY  
SCALE: NTS



A2 ROOF DETAIL  
SCALE: 1/2" = 1'-0"



A1 ROOF DETAIL  
SCALE: 1/2" = 1'-0"

**ASSOCIATED DESIGN PARTNERS INC.**  
Office: (207) 878-1751  
80 Leighton Road Falmouth, Maine 04105  
Fax: (207) 878-1788  
E-Mail: adp@adpengineering.com

THIS DRAWING, DESIGN AND ELECTRONIC FILE ARE THE PROPERTY OF ASSOCIATED DESIGN PARTNERS, INC. THE REPRODUCTION, COPYING OR ANY OTHER USE OF THIS DOCUMENT WITHOUT WRITTEN CONSENT IS PROHIBITED.

PROJECT: **ALLAGASH 2015 EXPANSION**  
**100 INDUSTRIAL WAY, PORTLAND ME**  
FOR: ALLAGASH BREWING CO.  
SHEET TITLE: **FRAMING DETAILS**  
**ISSUED FOR PERMITTING**

REVISIONS	DATE
No.	DESCRIPTION
1	
2	
3	
4	

DATE : 7/25/14  
SCALE : AS NOTED  
DESIGN BY: ASW  
DRAWN BY: RSC  
FILE #:  
PROJECT NUMBER:  
**14064**  
SHEET NO:  
**39**