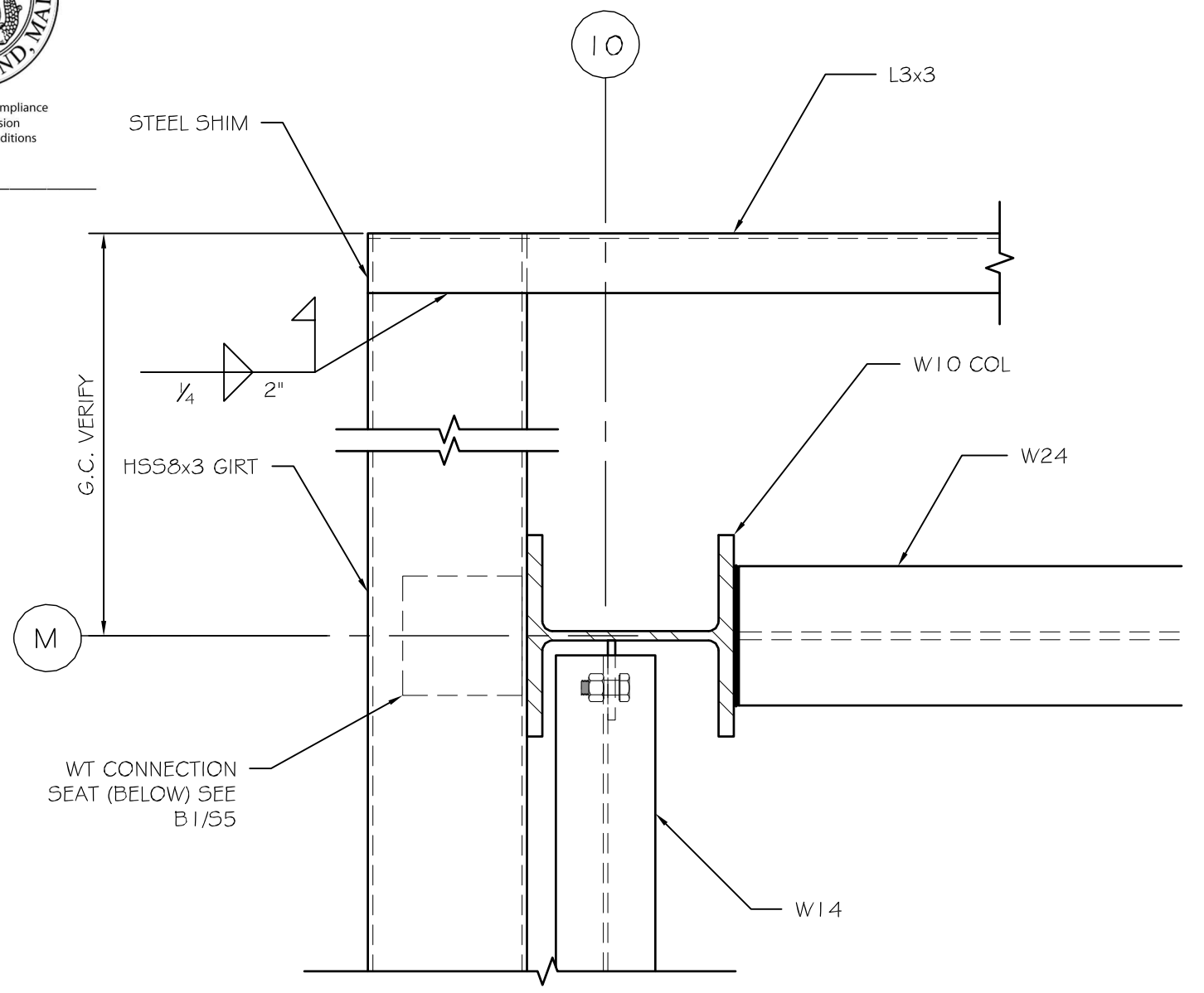
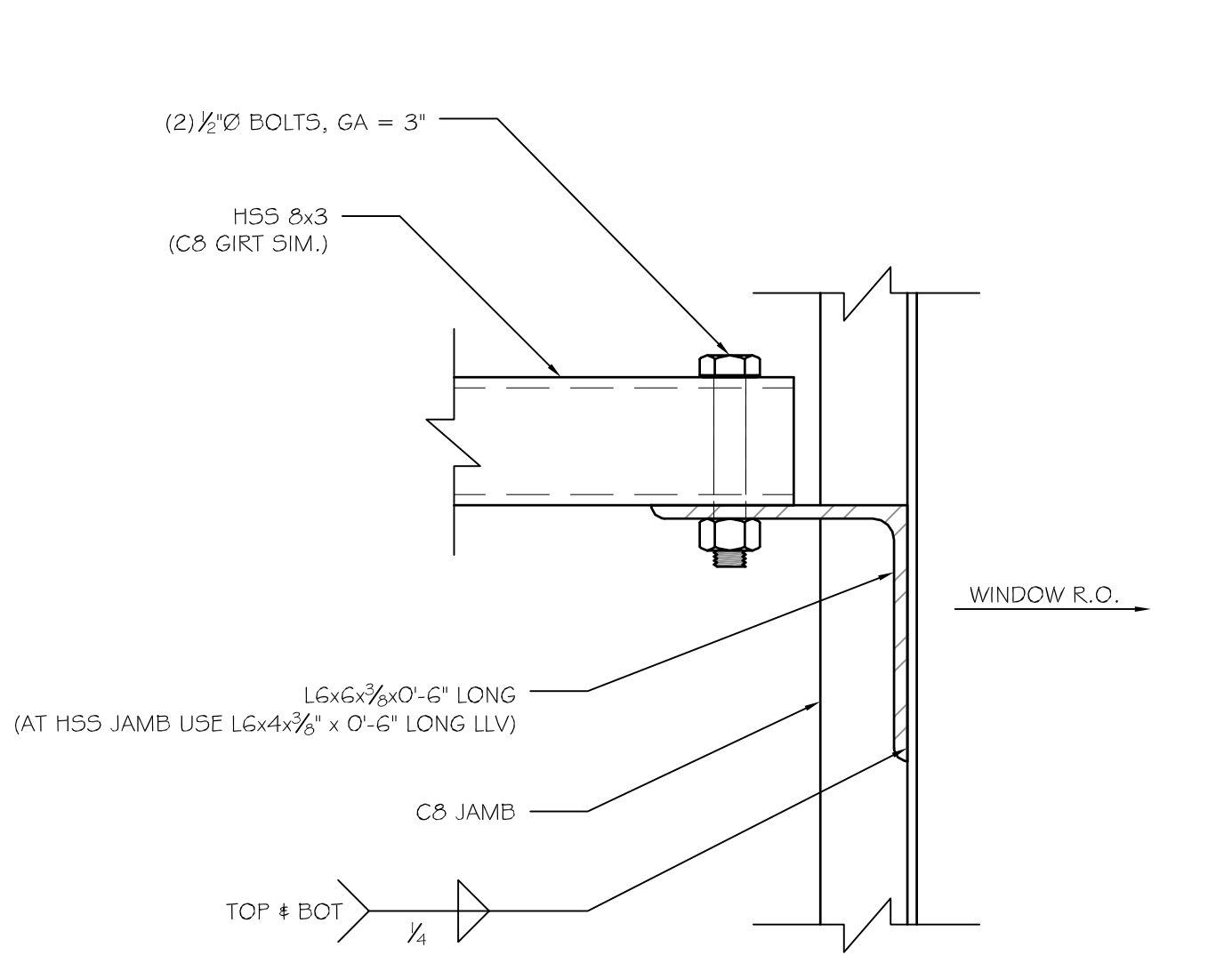




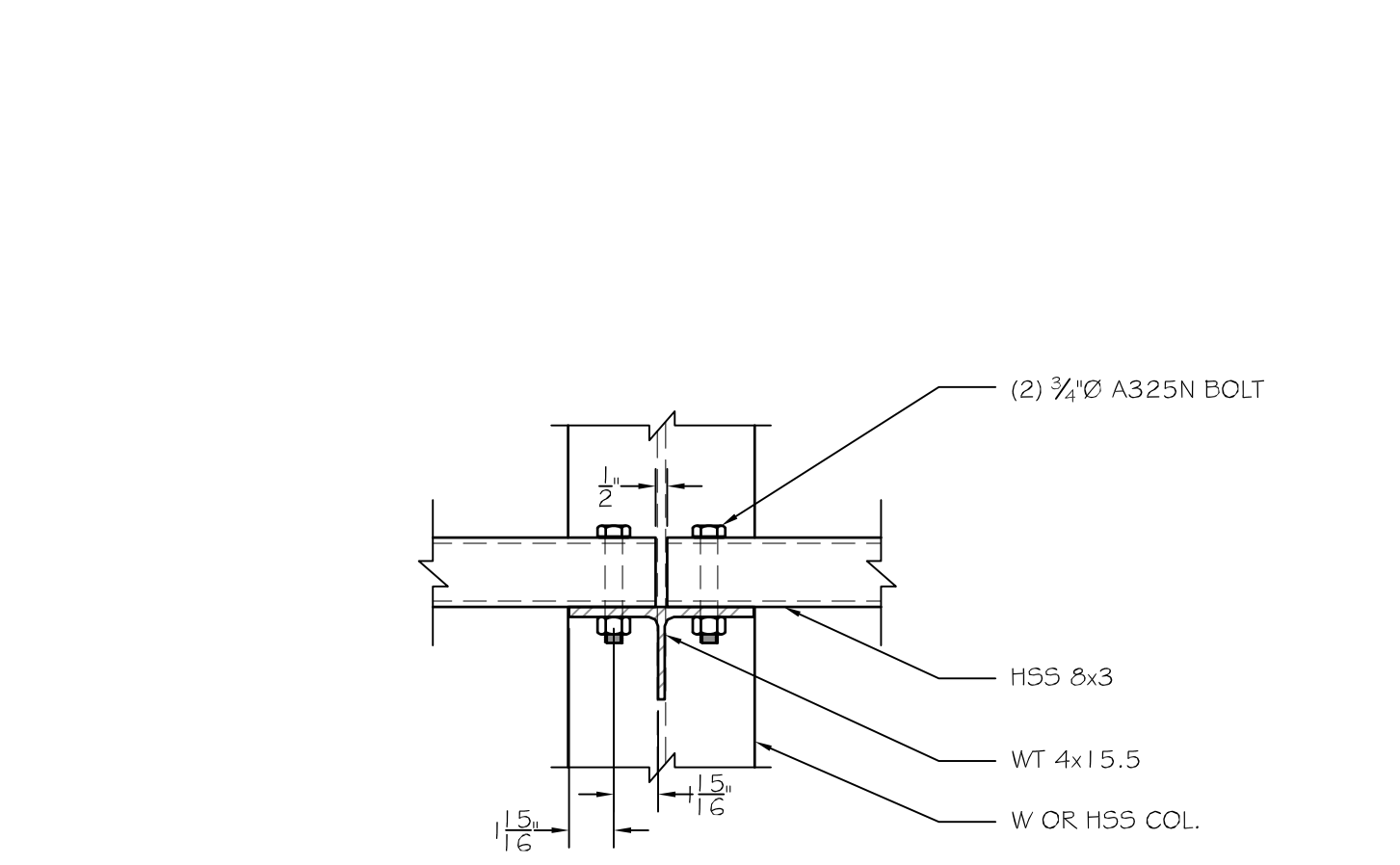
Reviewed for Code Compliance
Inspection Division
Approved with Conditions
Date: 09/15/14



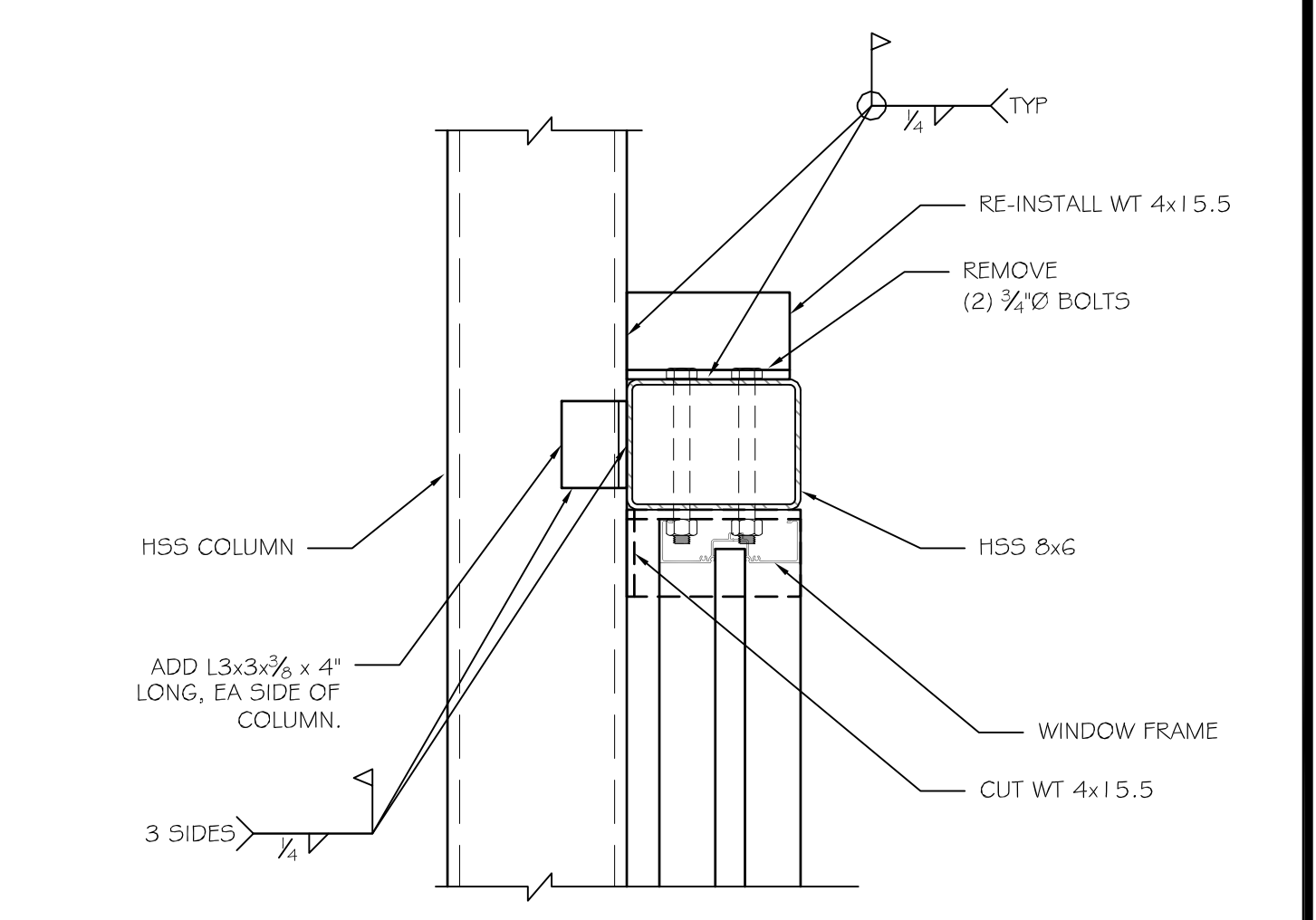
C4 CONNECTION DETAIL AT ROOF (PLAN)
SCALE: 1/2" = 1'-0"



C3 WIND GIRTS TO CHANNEL JAMB CONNECTION
SCALE: 3" = 1'-0"



C2 H55 WIND GIRTS CONNECTION
SCALE: 1" = 1'-0"



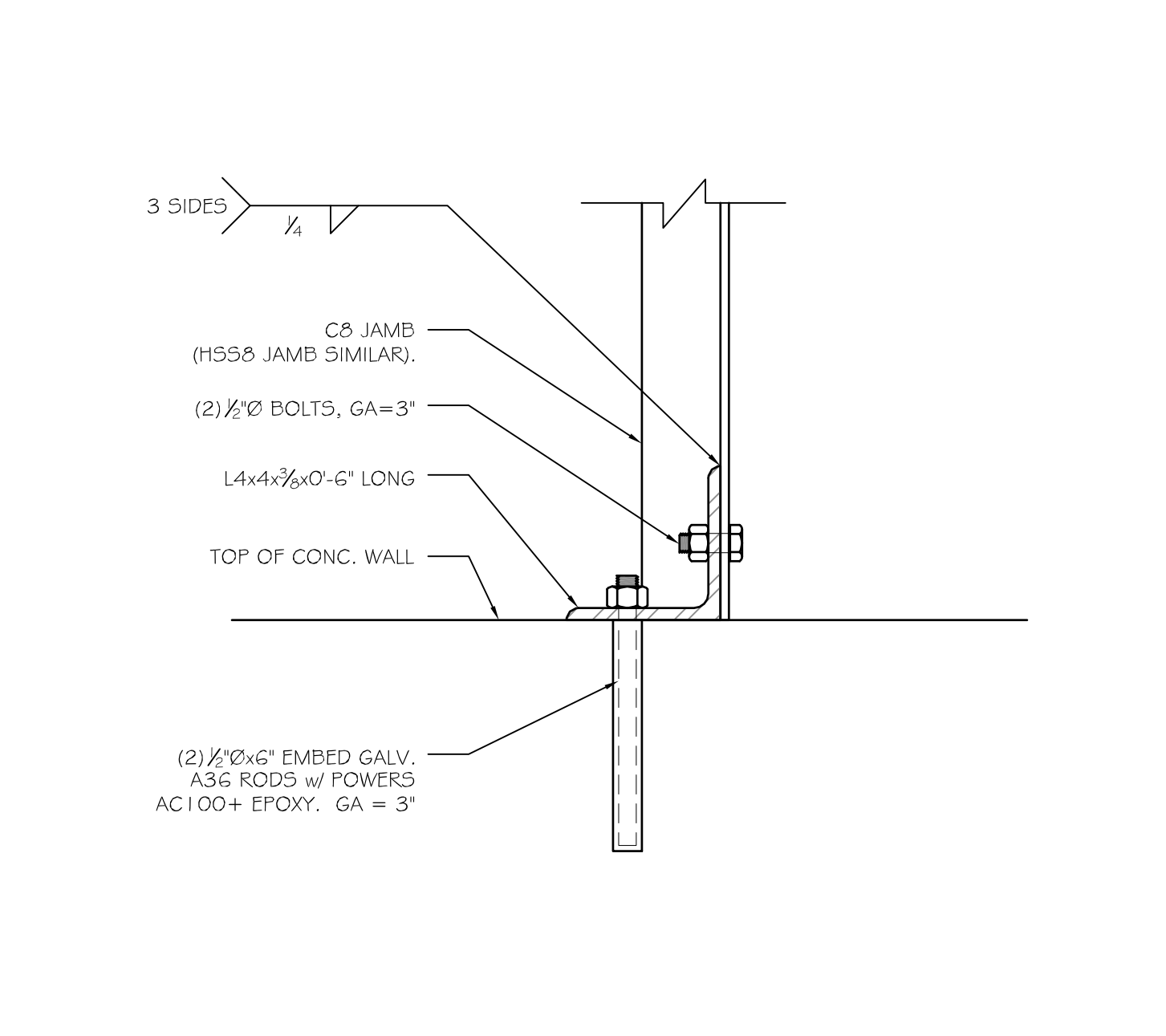
C1 H55 WIND GIRTS CONNECTION SECTION
SCALE: 1" = 1'-0"



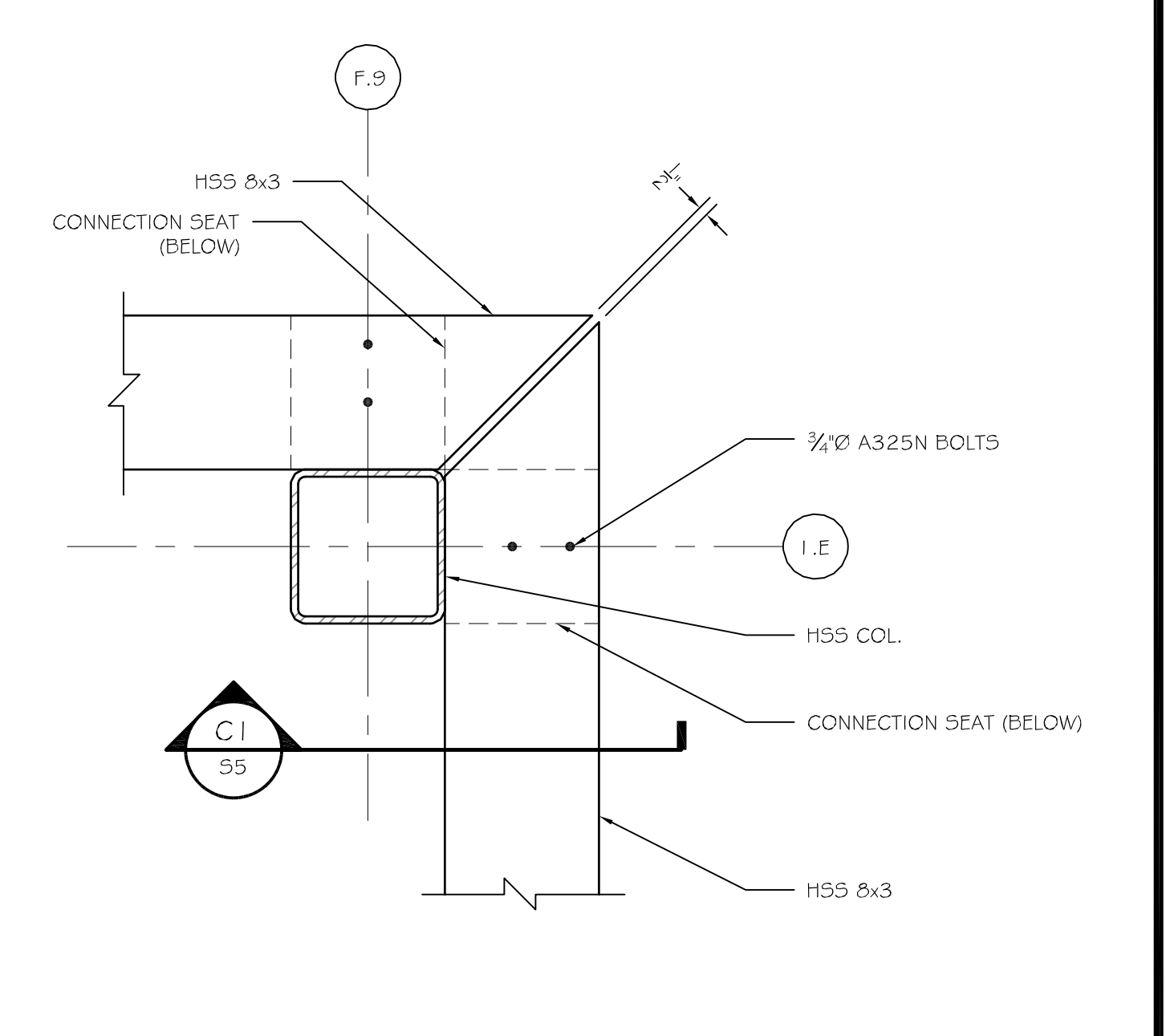
B4 CANOPY SUSPENSION ROD CONNECTION
SCALE: NO SCALE



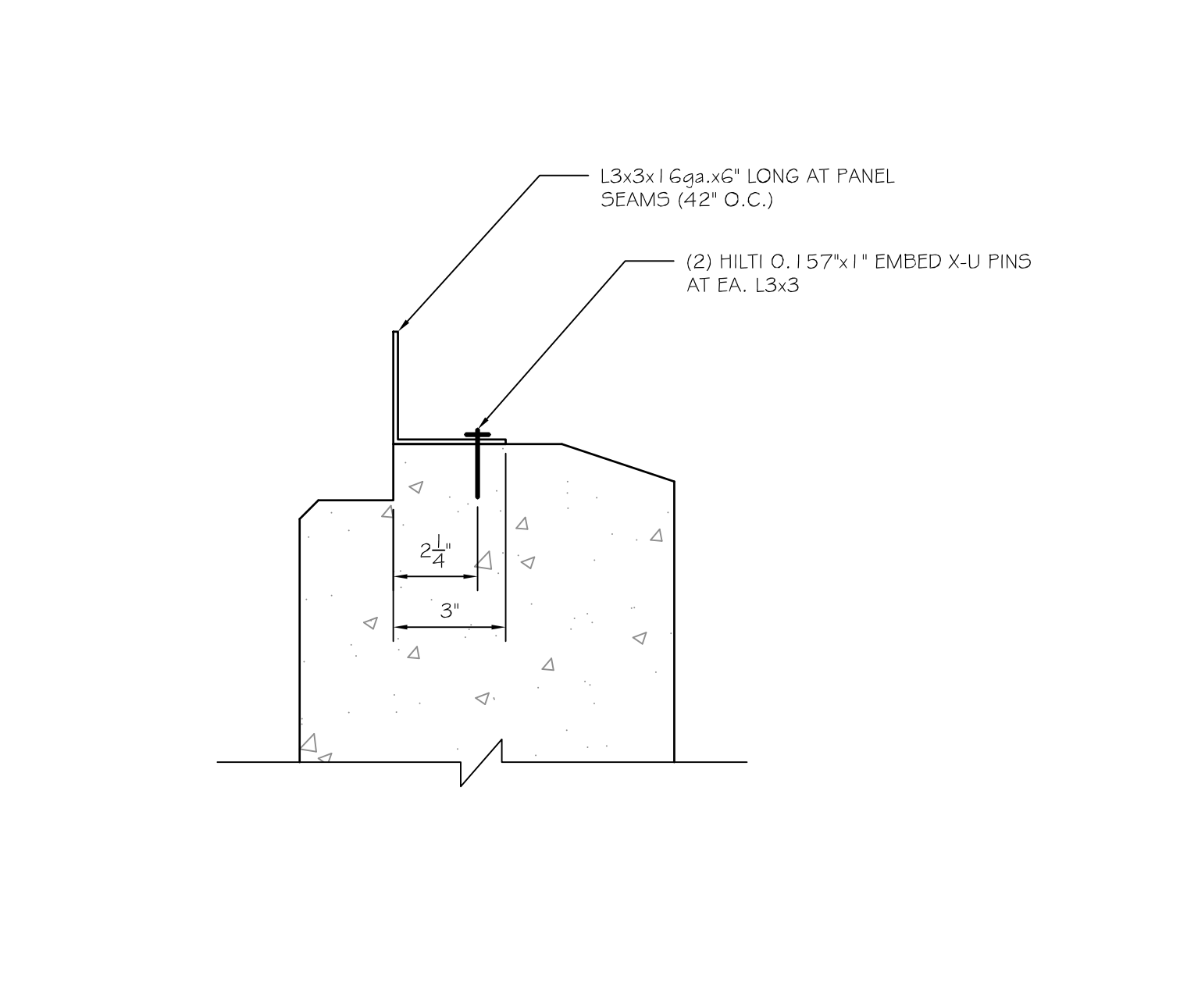
B3 CANOPY SUSPENSION ROD CONNECTION
SCALE: NO SCALE



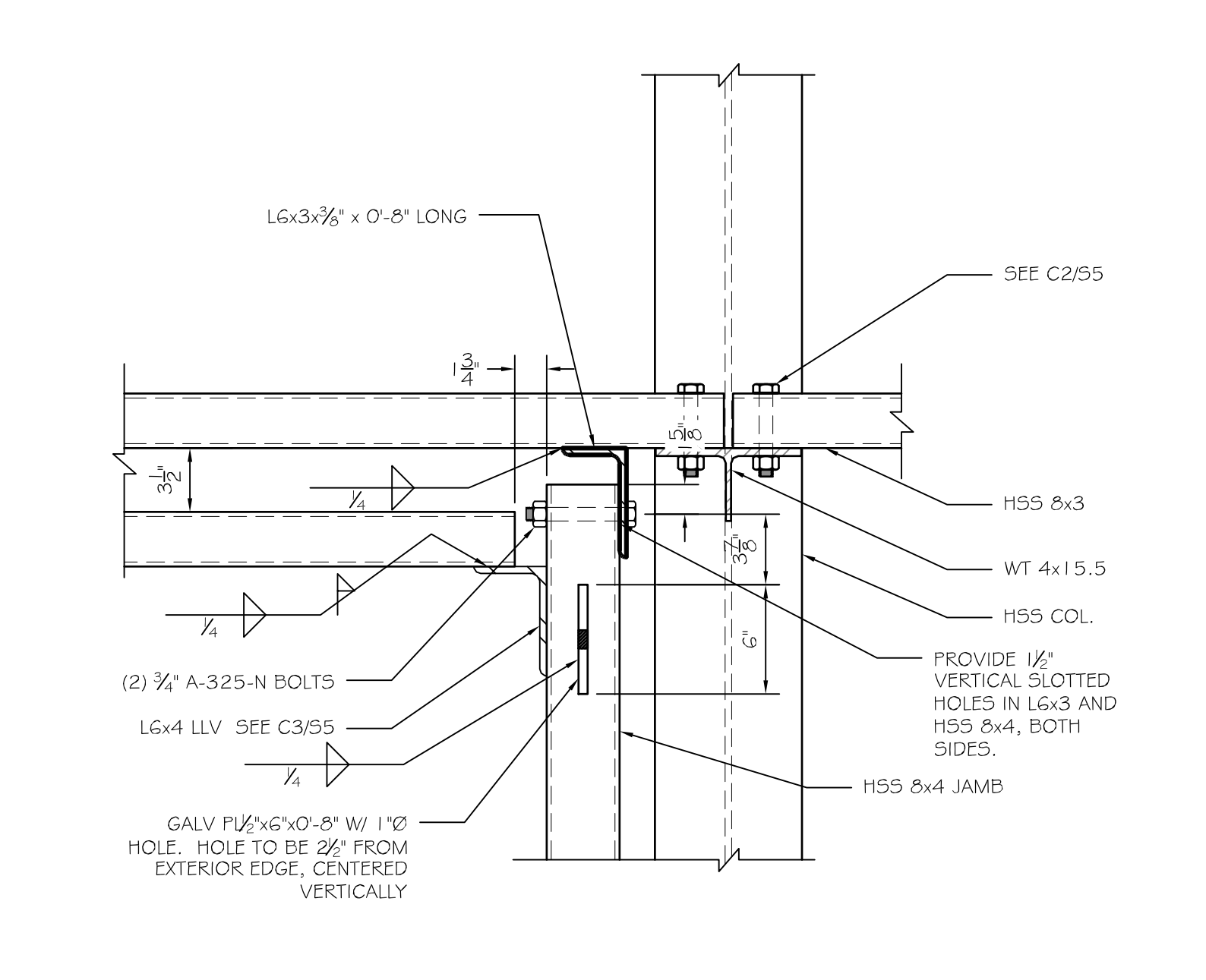
B2 CHANNEL JAMB TO CONCRETE
SCALE: 3" = 1'-0"



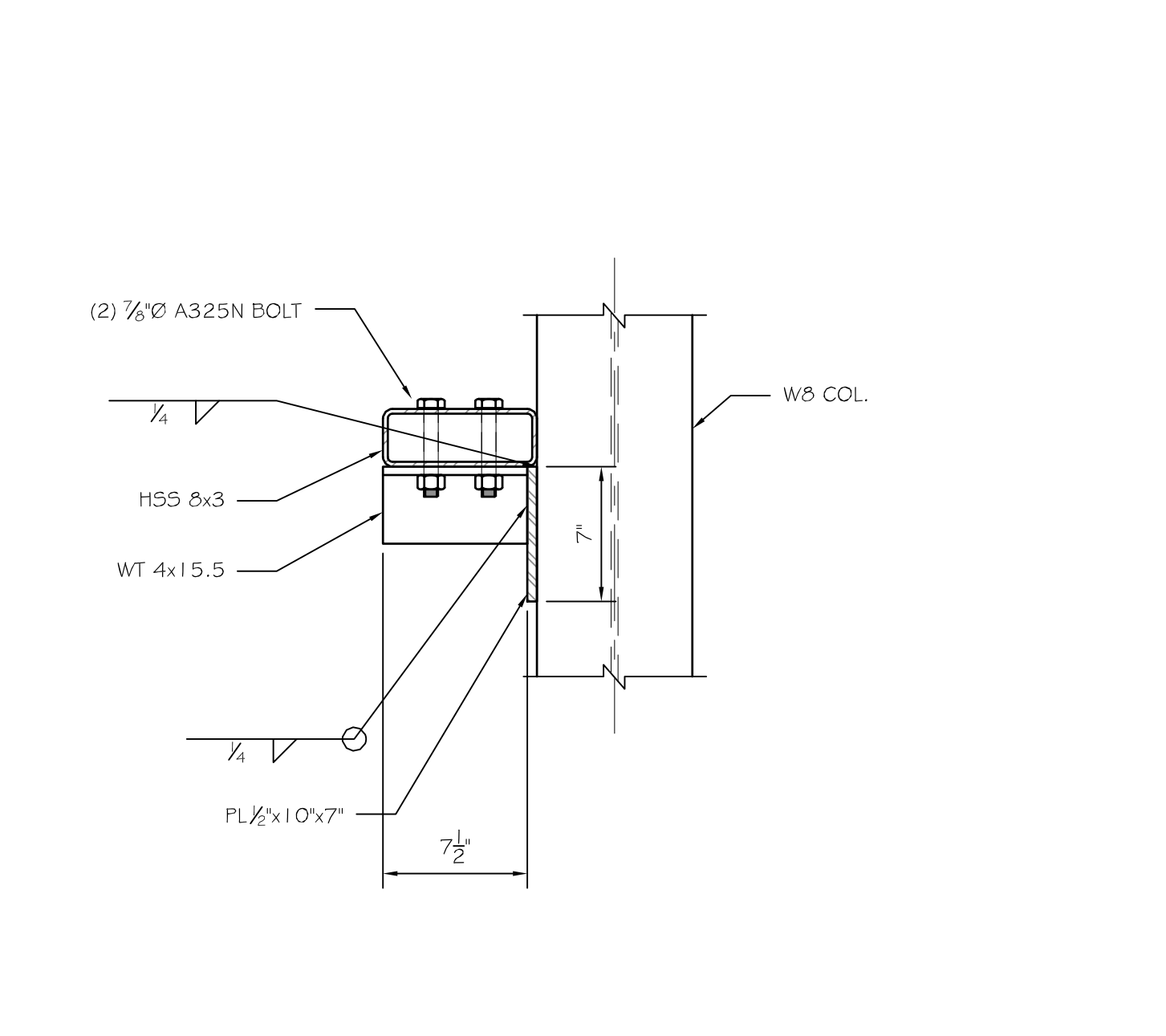
B1 GIRTS CORNER CONNECTION DETAIL AT H55 COL
SCALE: 1/2" = 1'-0"



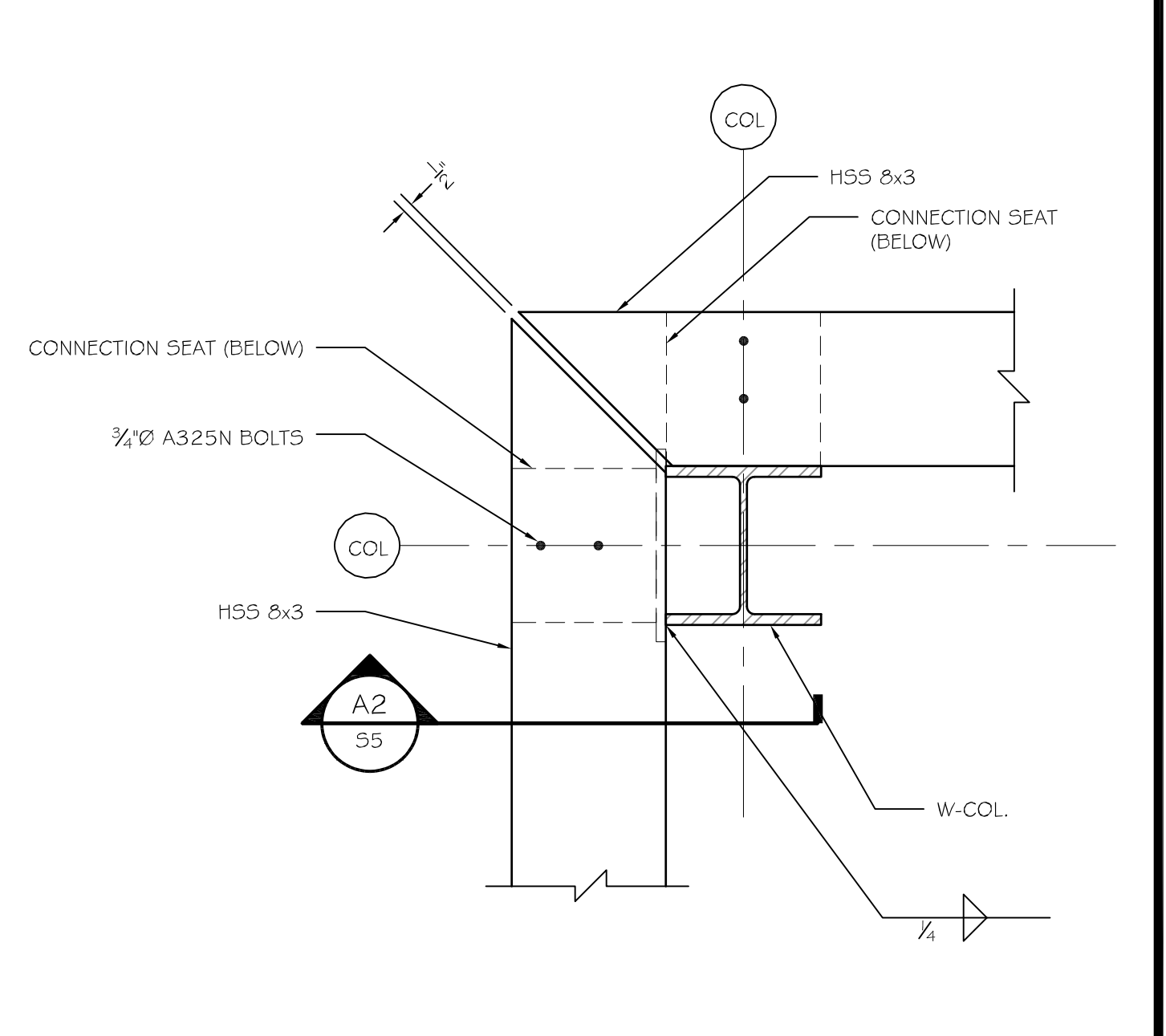
A4 WALL PANEL CLIP DETAIL
SCALE: 3" = 1'-0"



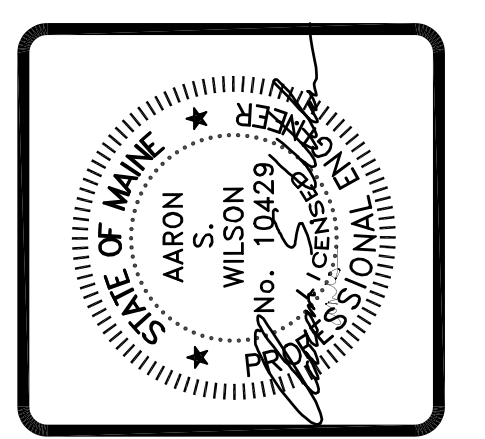
A3 GIRTS CONNECTION AT REMOVABLE WALL PANEL
SCALE: 1/2" = 1'-0"



A2 GIRTS CORNER CONNECTION SECTION
SCALE: 1/2" = 1'-0"



A1 GIRTS CORNER CONNECTION DETAIL AT W-COL
SCALE: 1/2" = 1'-0"



ASSOCIATED DESIGN PARTNERS INC.
 Office: (207) 878-1751
 80 Leighton Road, Falmouth, Maine 04105
 Fax: (207) 878-1788
 E-Mail: cdp@adpengineering.com

THIS DRAWING, DESIGN AND ELECTRONIC FILE ARE THE PROPERTY OF ASSOCIATED DESIGN PARTNERS, INC. THE REPRODUCTION, COPYING OR ANY OTHER USE OF THIS DOCUMENT WITHOUT WRITTEN CONSENT IS PROHIBITED.

PROJECT: **ALLAGASH 2015 EXPANSION**
100 INDUSTRIAL WAY, PORTLAND ME
 FOR: ALLAGASH BREWING CO.
 SHEET TITLE: **FRAMING DETAILS**
ISSUED FOR PERMITTING

NO.	BY	DESCRIPTION	DATE

DATE: 7/25/14
 SCALE: AS NOTED
 DESIGN BY: ASW
 DRAWN BY: RSC
 FILE #:
 PROJECT NUMBER: **14064**
 SHEET NO: **36**