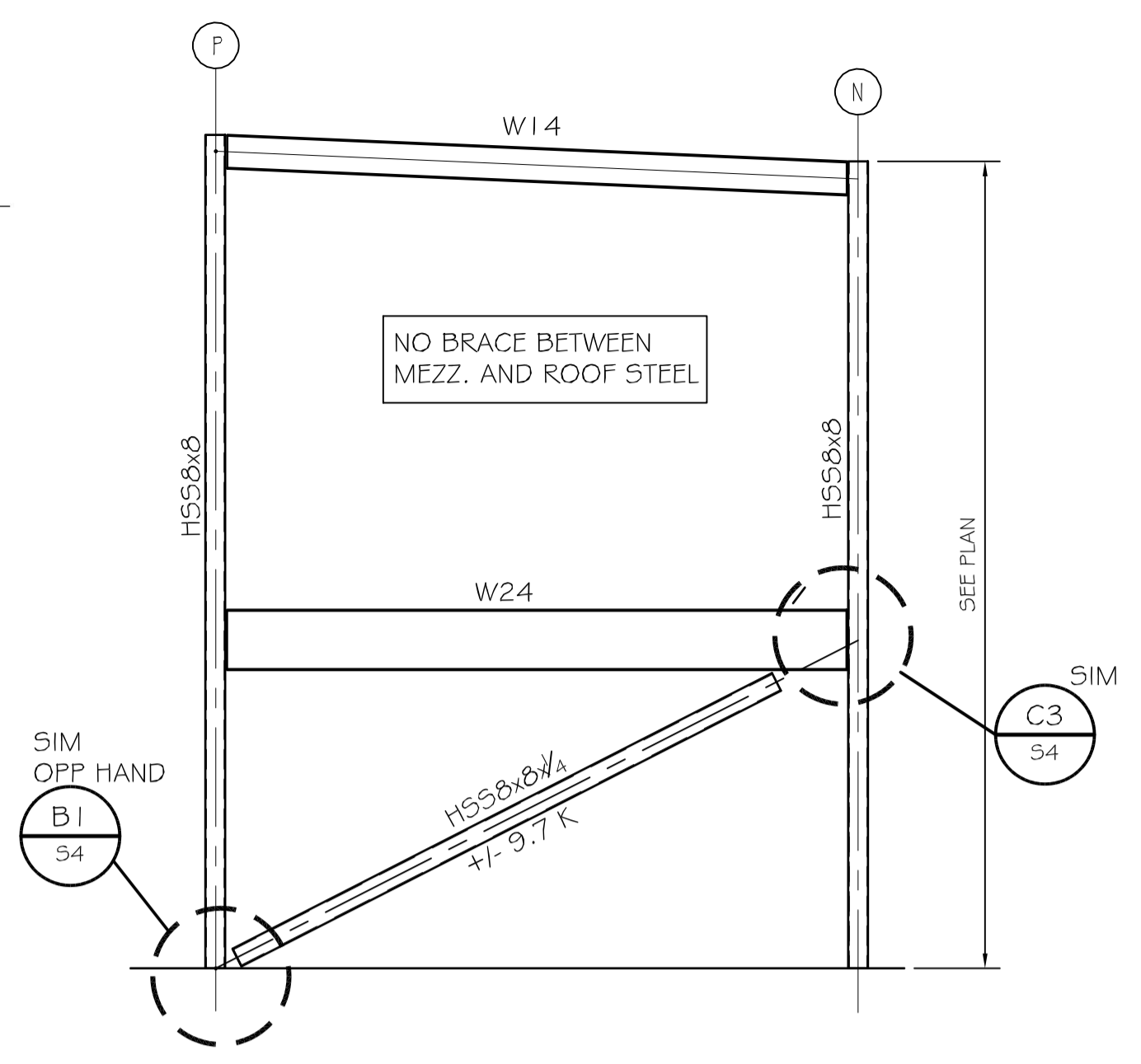
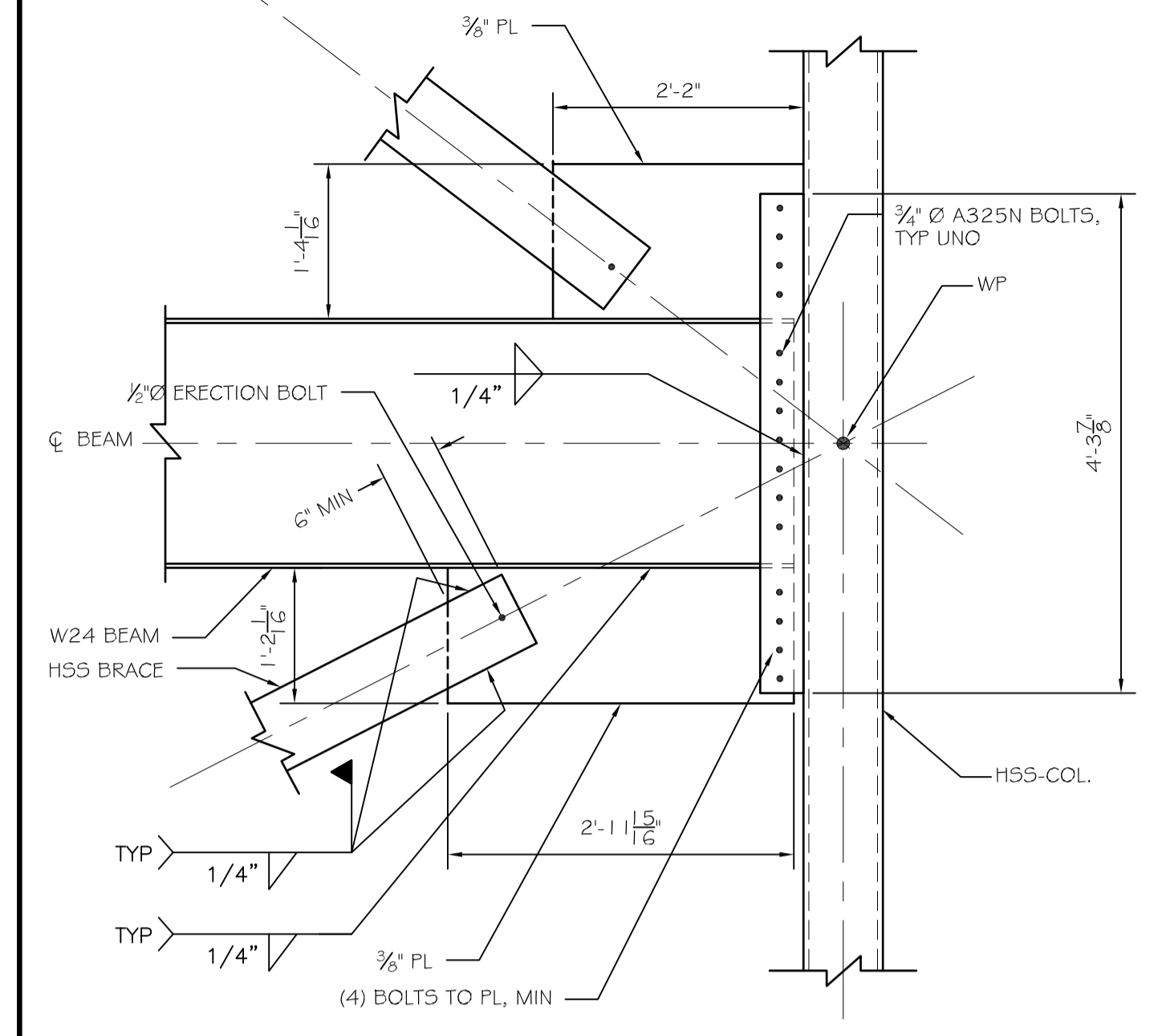




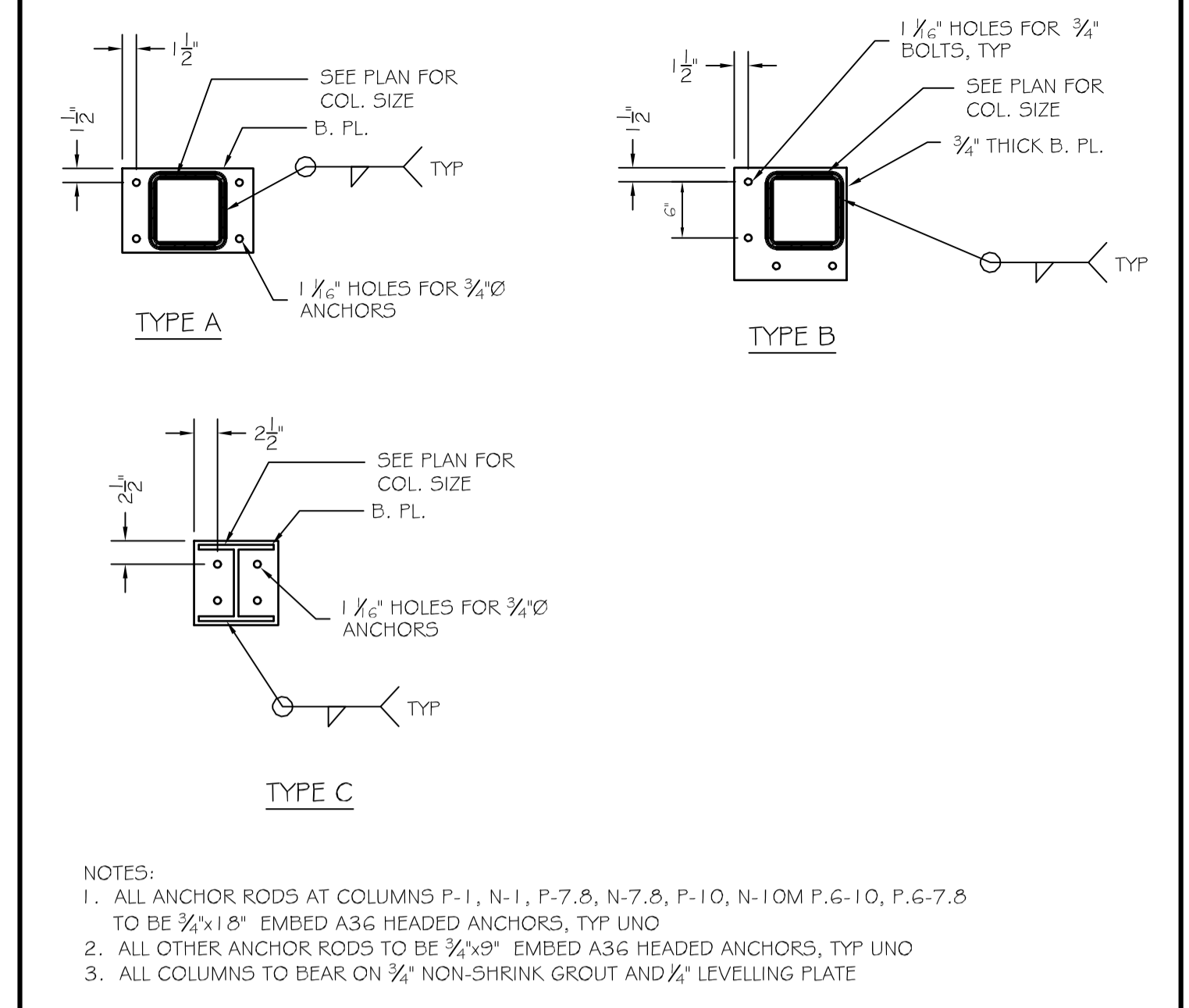
Date: 09/15/14



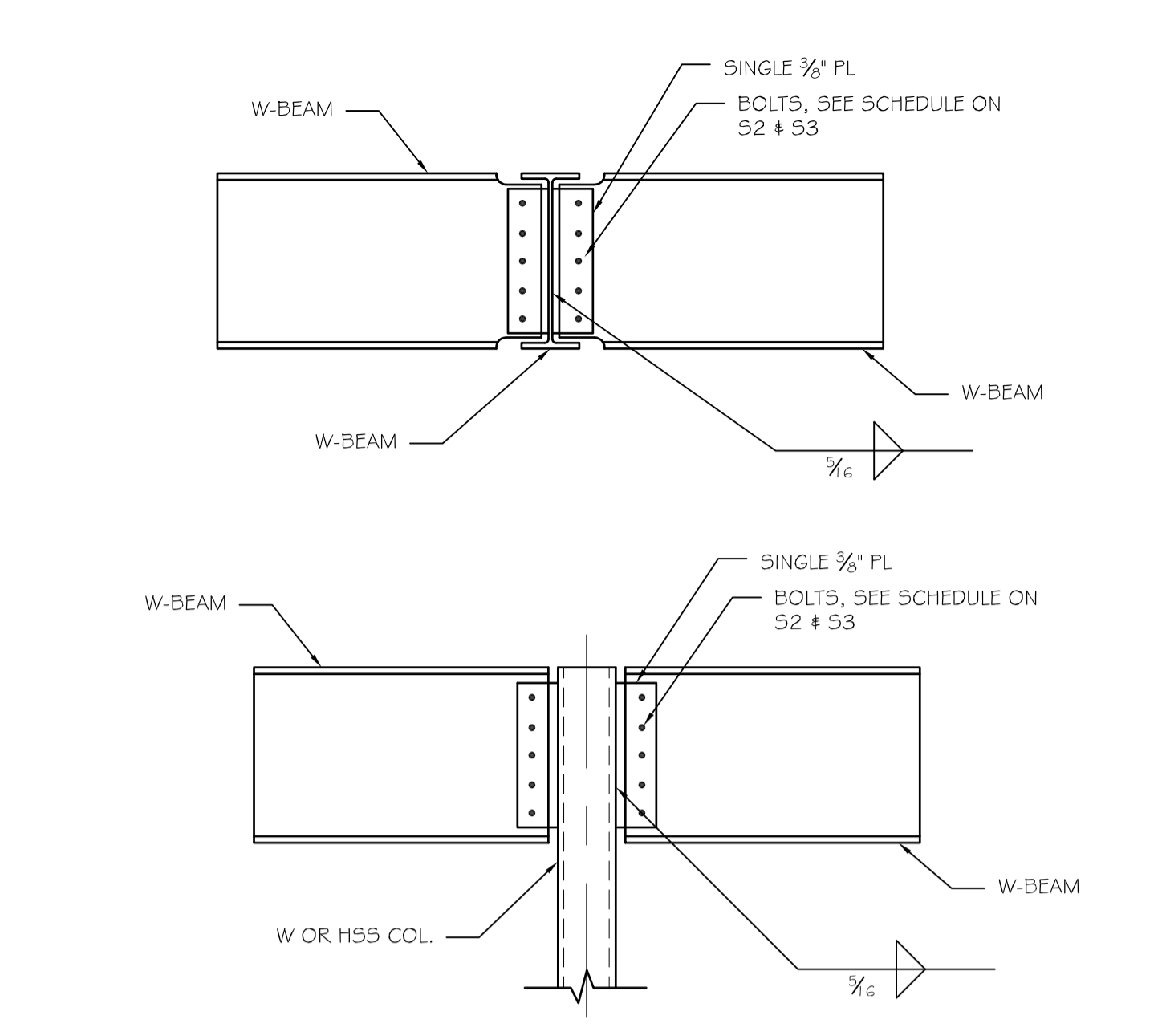
C4 BRACE FR-3 LINE 7.8
SCALE: 3/4" = 1'-0"



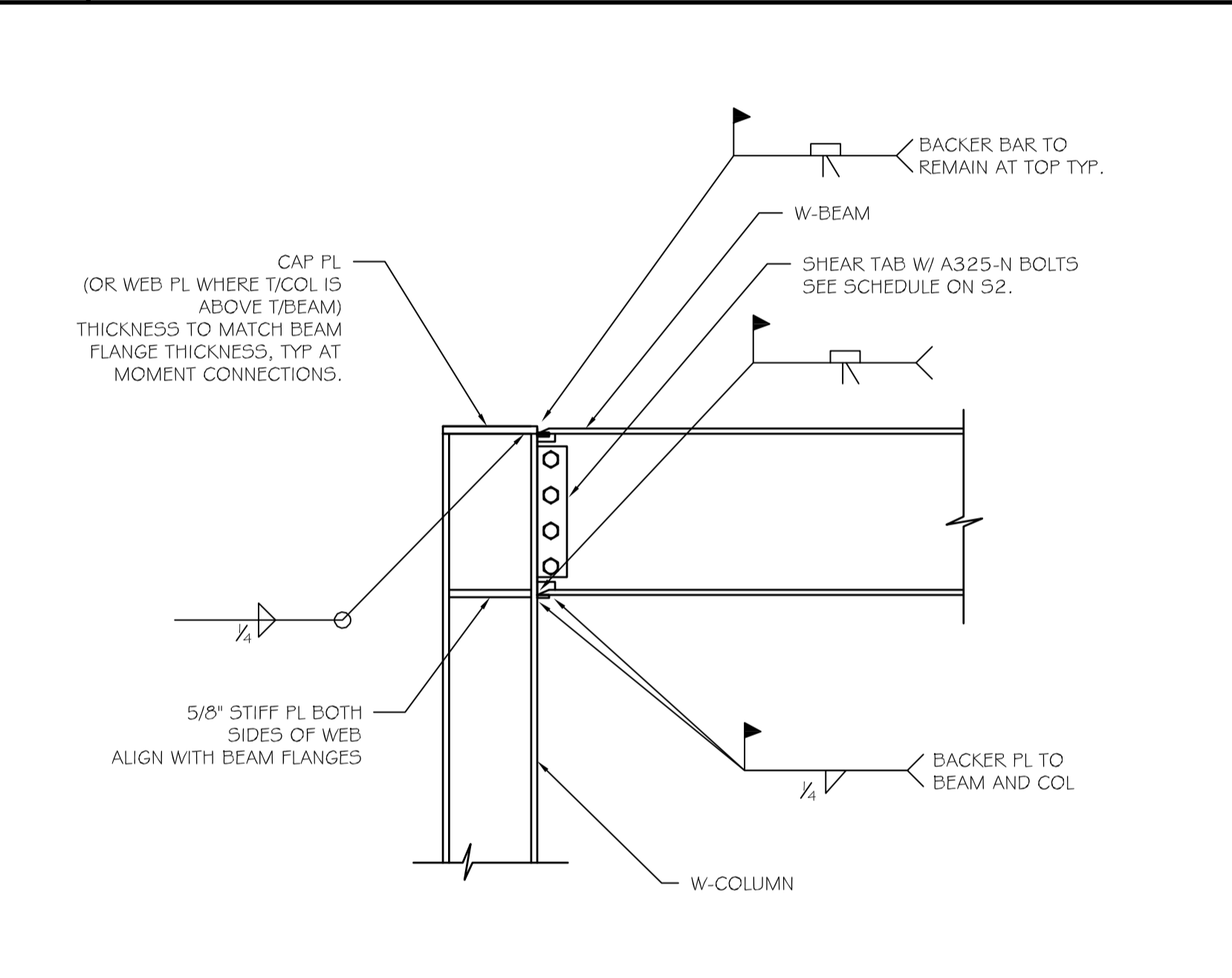
C3 BRACE DETAIL
SCALE: 3/4" = 1'-0"



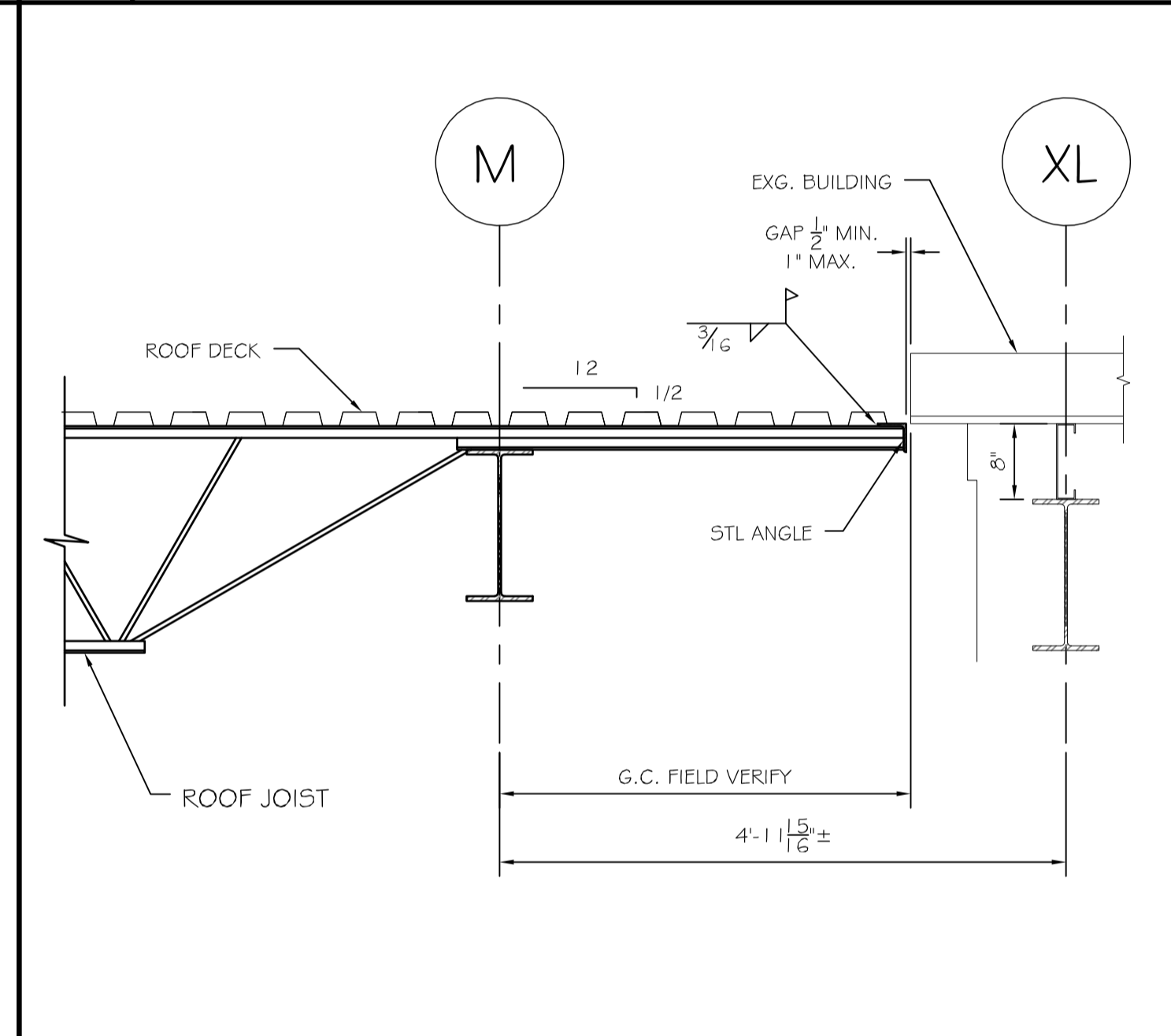
C2 BASE PLATE DETAILS
SCALE: 3/4" = 1'-0"



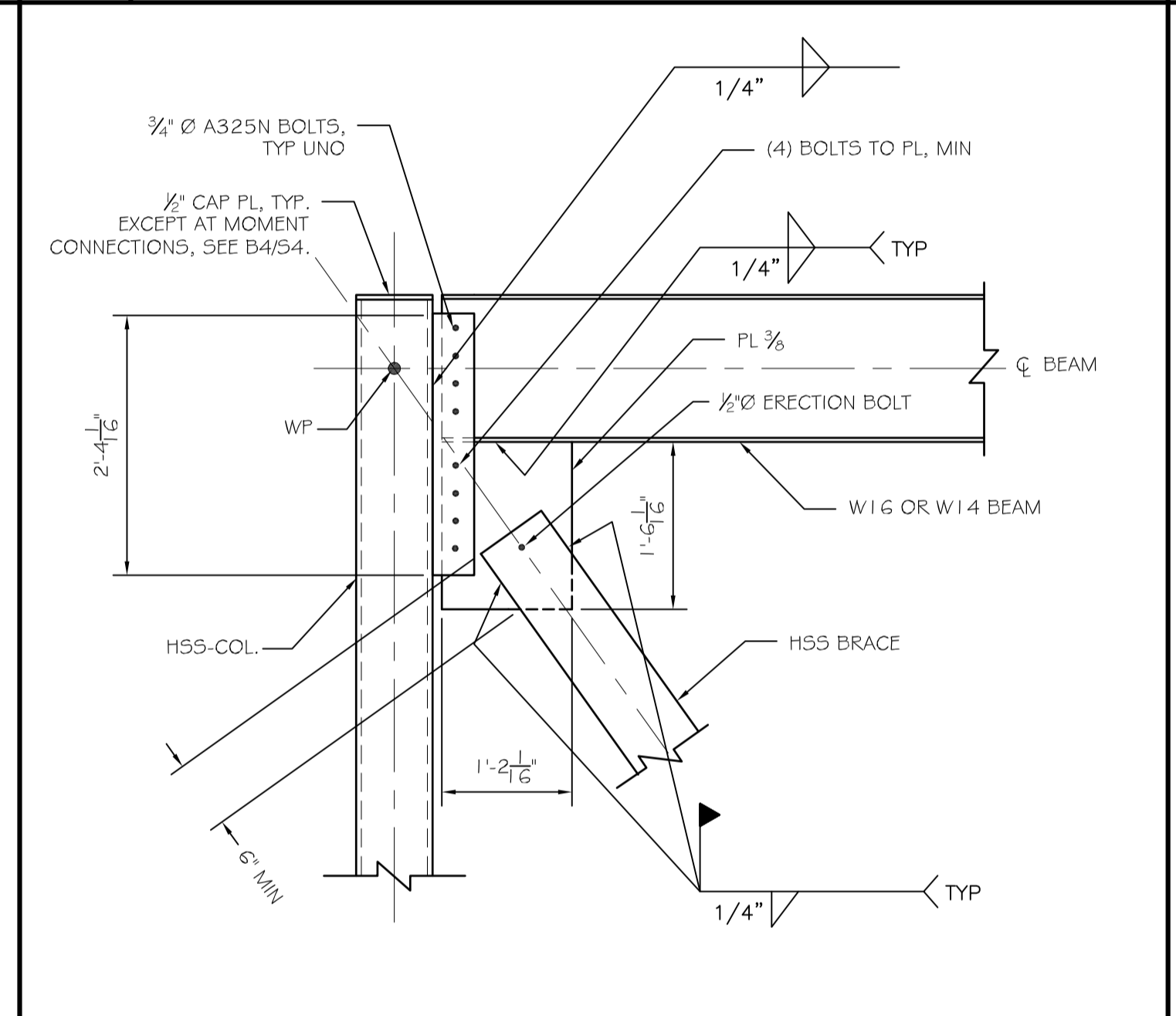
C1 BEAM CONNECTION
SCALE: 3/4" = 1'-0"



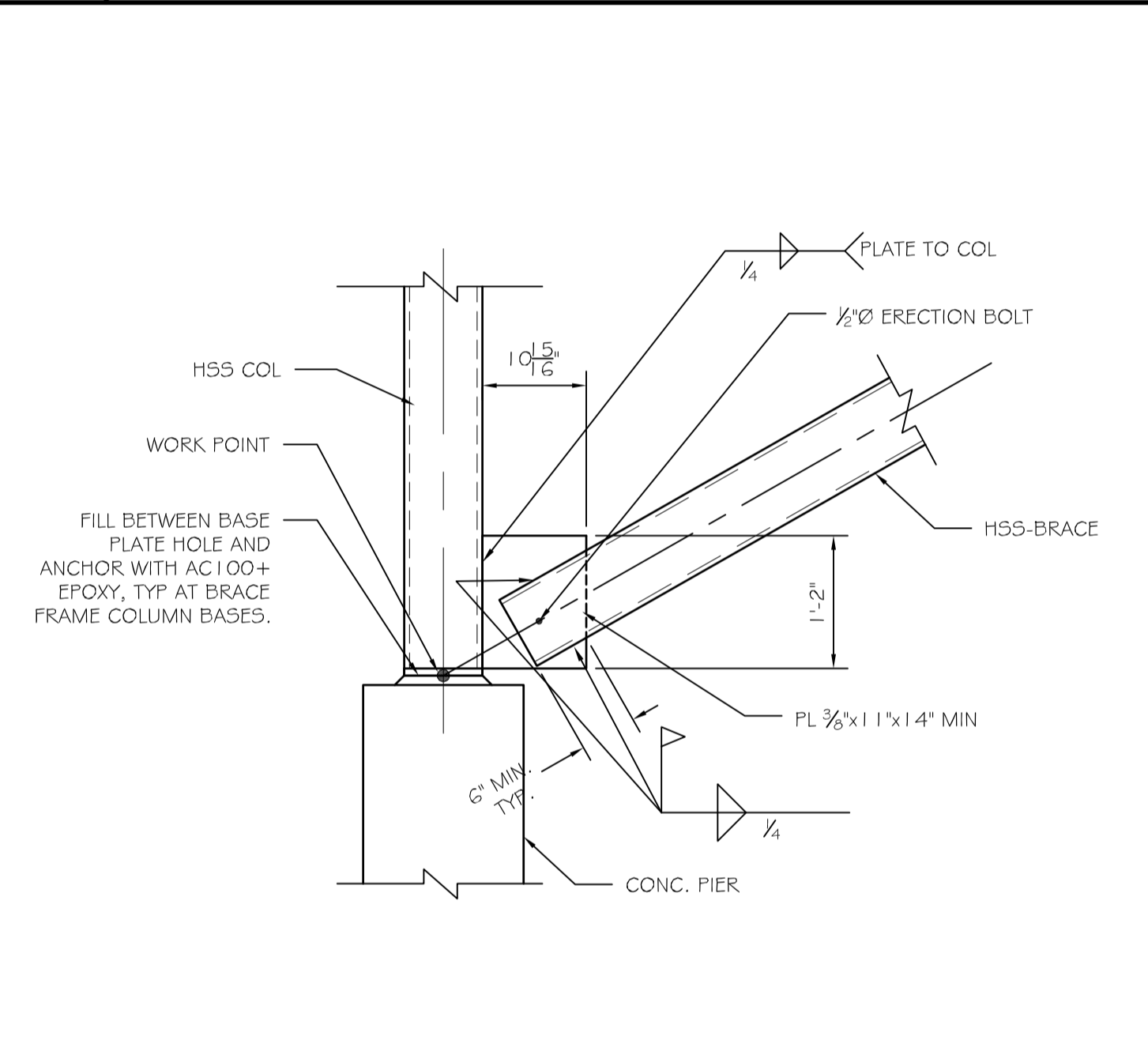
B4 MOMENT CONNECTION
SCALE: 1" = 1'-0"



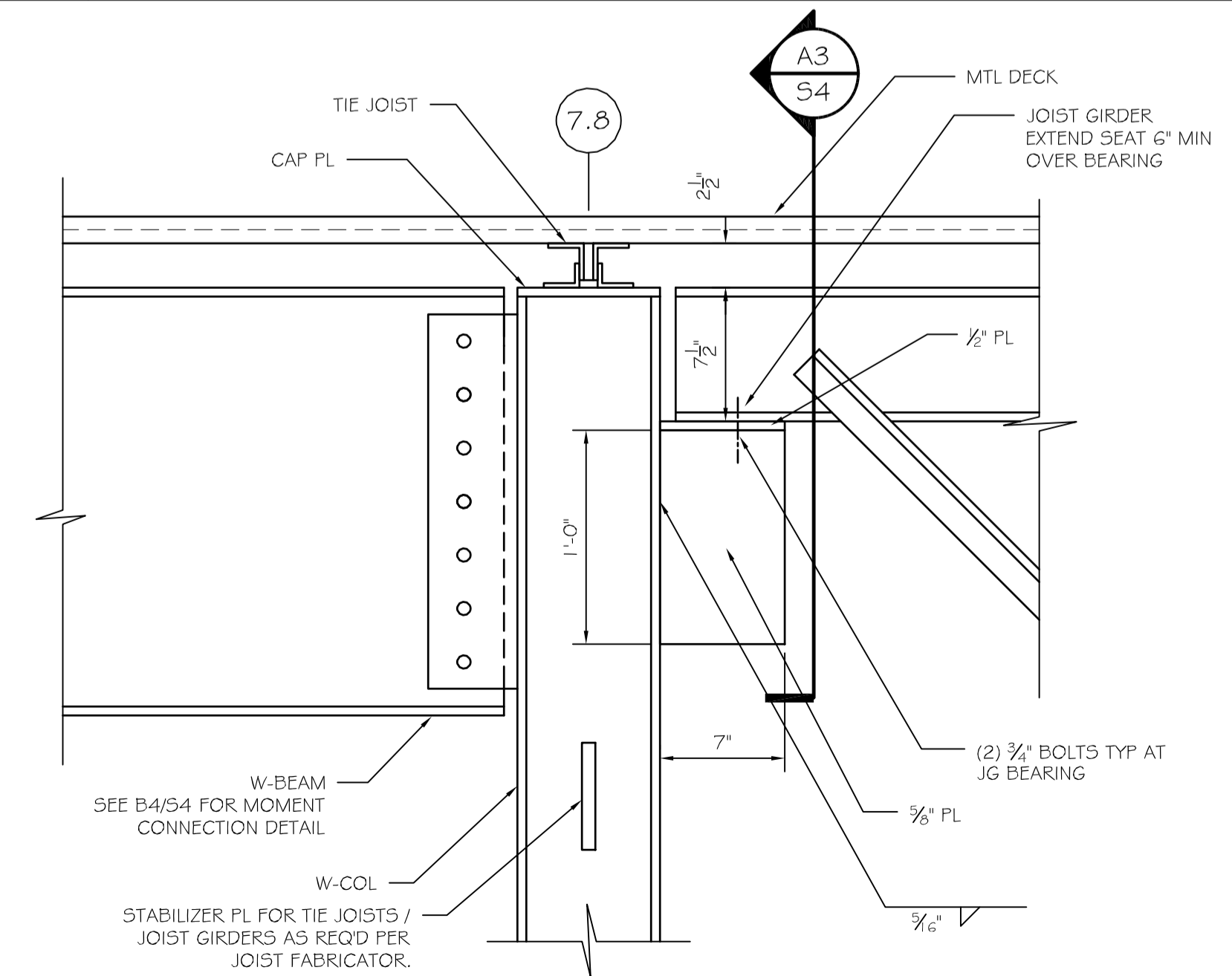
B3 DETAIL
SCALE: 3/4" = 1'-0"



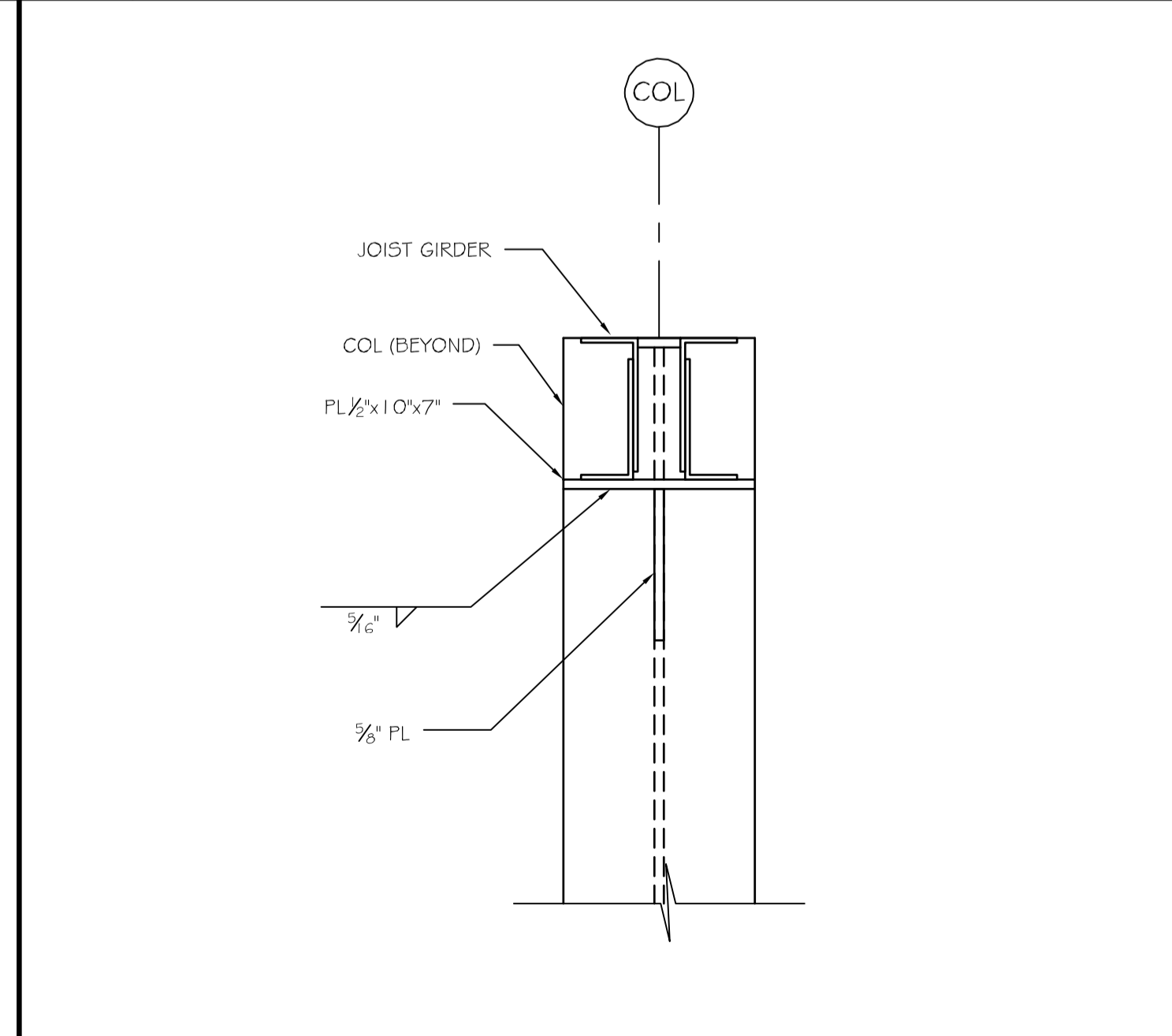
B2 BRACE FRAME CONNECTION
SCALE: 3/4" = 1'-0"



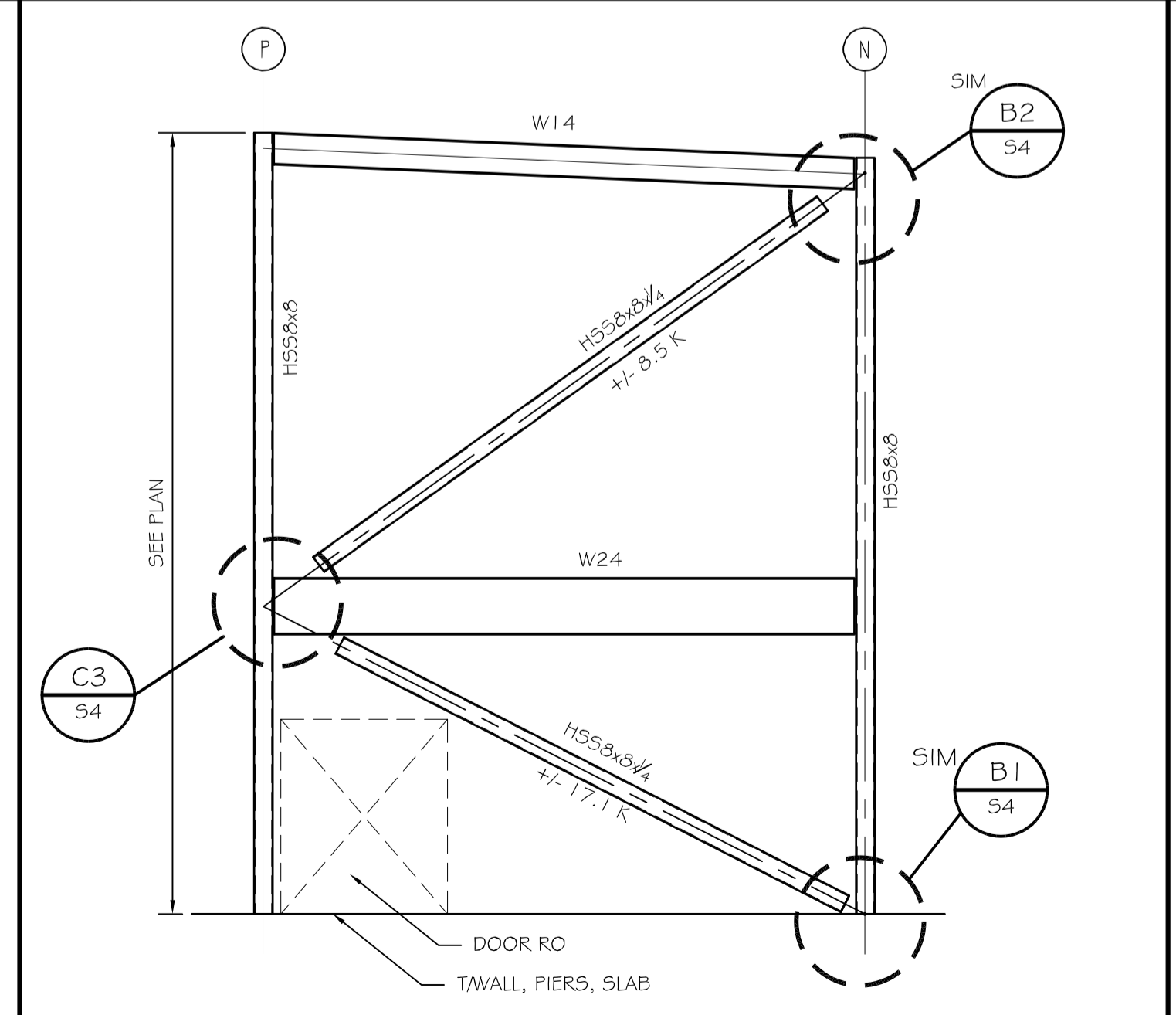
B1 BRACE FRAME CONNECTION
SCALE: 3/4" = 1'-0"



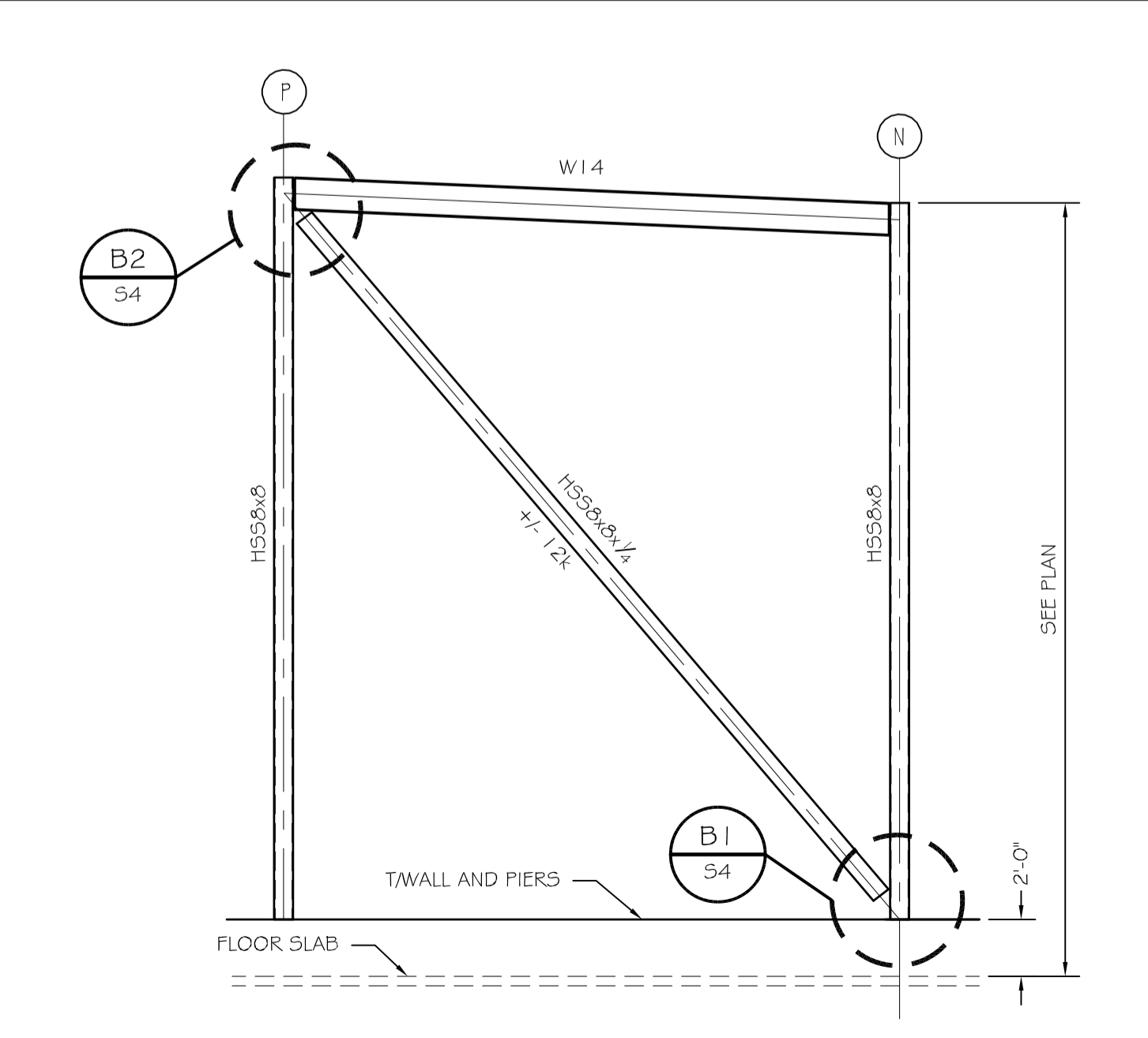
A4 DETAIL
SCALE: NTS



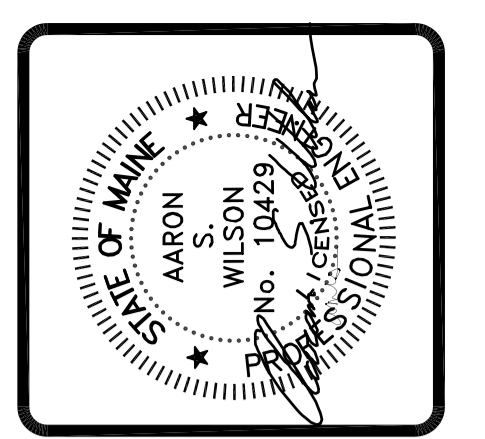
A3 DETAIL
SCALE: NTS



A2 BRACE FRAME 1 - LINE 10
SCALE: 3/4" = 1'-0"



A1 BRACE FRAME 2 - LINE 1
SCALE: 3/4" = 1'-0"



ASSOCIATED DESIGN PARTNERS INC.
Office: (207) 878-1751
80 Leighton Road
Falmouth, Maine 04105
Fax: (207) 878-1788
E-Mail: adp@adpengineering.com

THIS DRAWING, DESIGN AND ELECTRONIC FILE ARE THE PROPERTY OF ASSOCIATED DESIGN PARTNERS, INC. THE REPRODUCTION, COPYING OR ANY OTHER USE OF THIS DOCUMENT WITHOUT WRITTEN CONSENT IS PROHIBITED.

PROJECT: **ALLAGASH 2015 EXPANSION**
100 INDUSTRIAL WAY, PORTLAND ME
FOR: ALLAGASH BREWING CO.
SHEET TITLE: **FRAMING DETAILS**
ISSUED FOR PERMITTING

REVISIONS	DATE	DESCRIPTION
No.	BY	
1		
2		
3		
4		

DATE: 7/25/14
SCALE: AS NOTED
DESIGN BY: ASW
DRAWN BY: RSC
FILE #:
PROJECT NUMBER:
14064
SHEET NO:
35