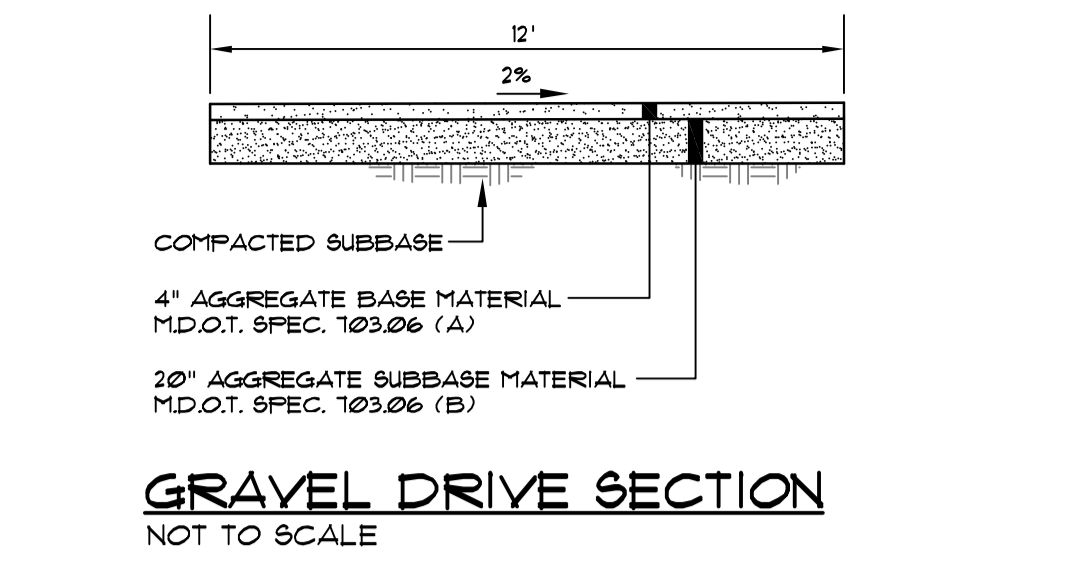
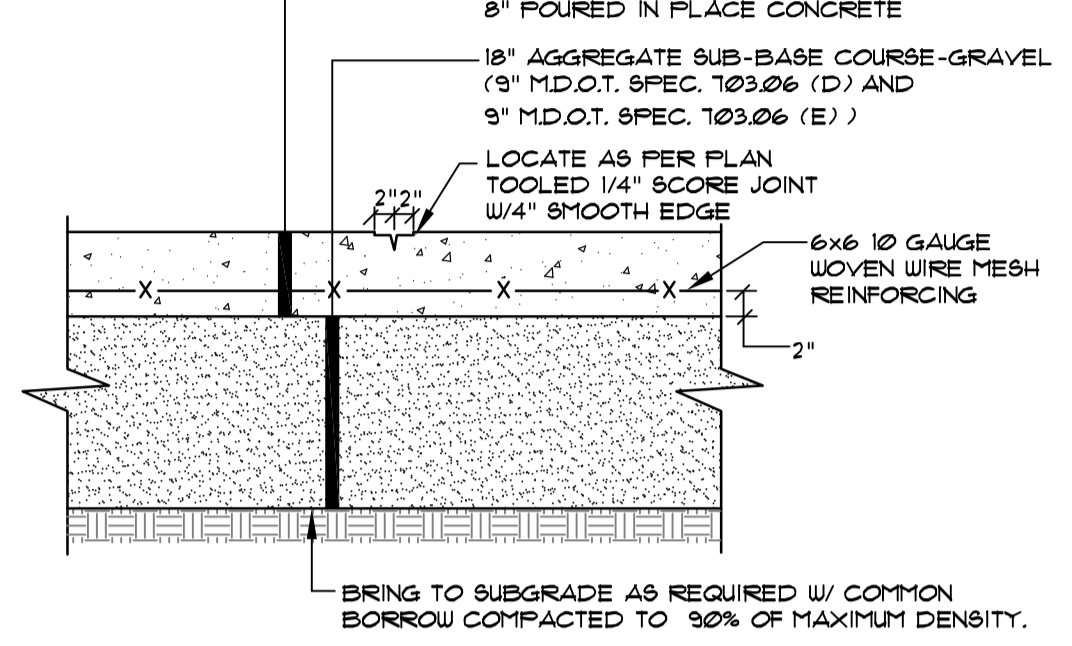




Date: 09/15/14

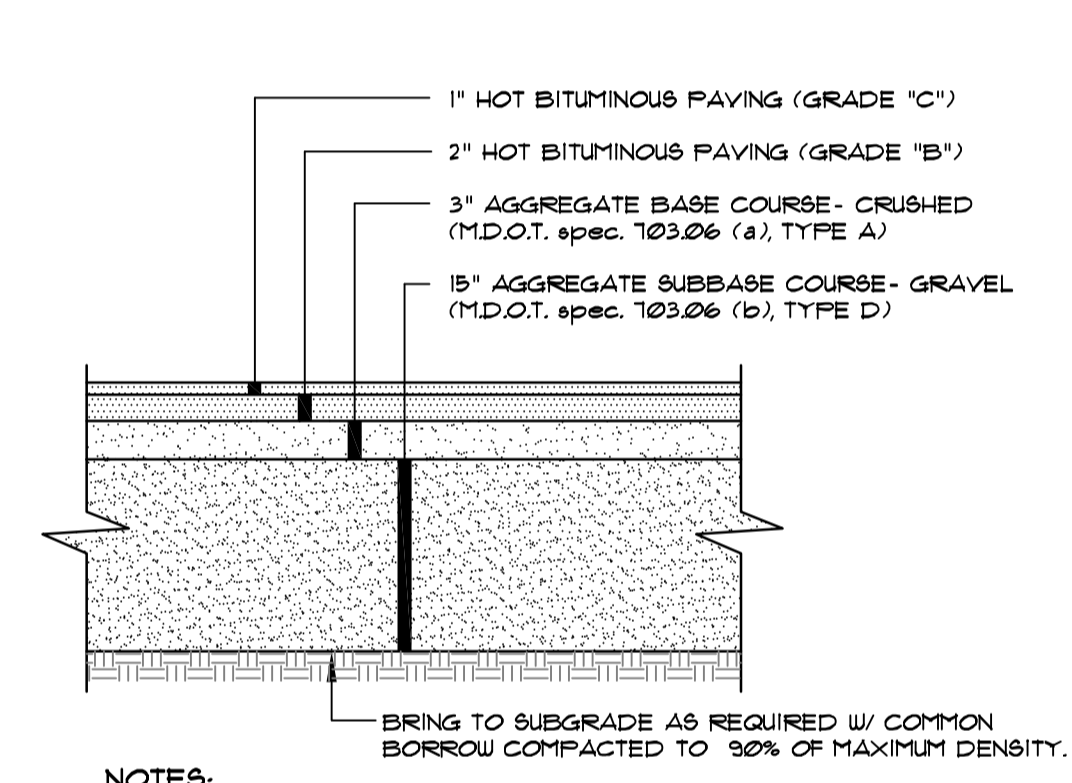


GRAVEL DRIVE SECTION
NOT TO SCALE



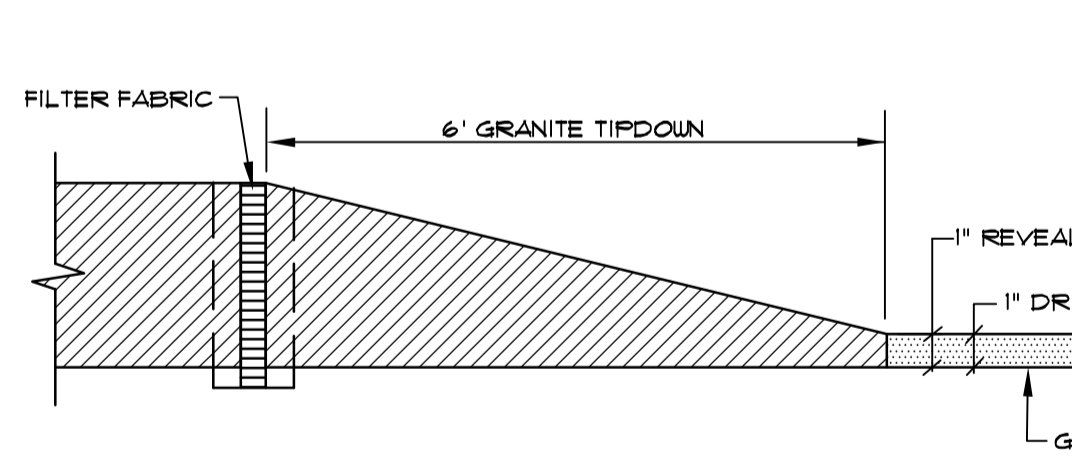
SLIPFORM CONCRETE CURB
NOT TO SCALE

HEAVY DUTY CONCRETE PAVEMENT
NOT TO SCALE

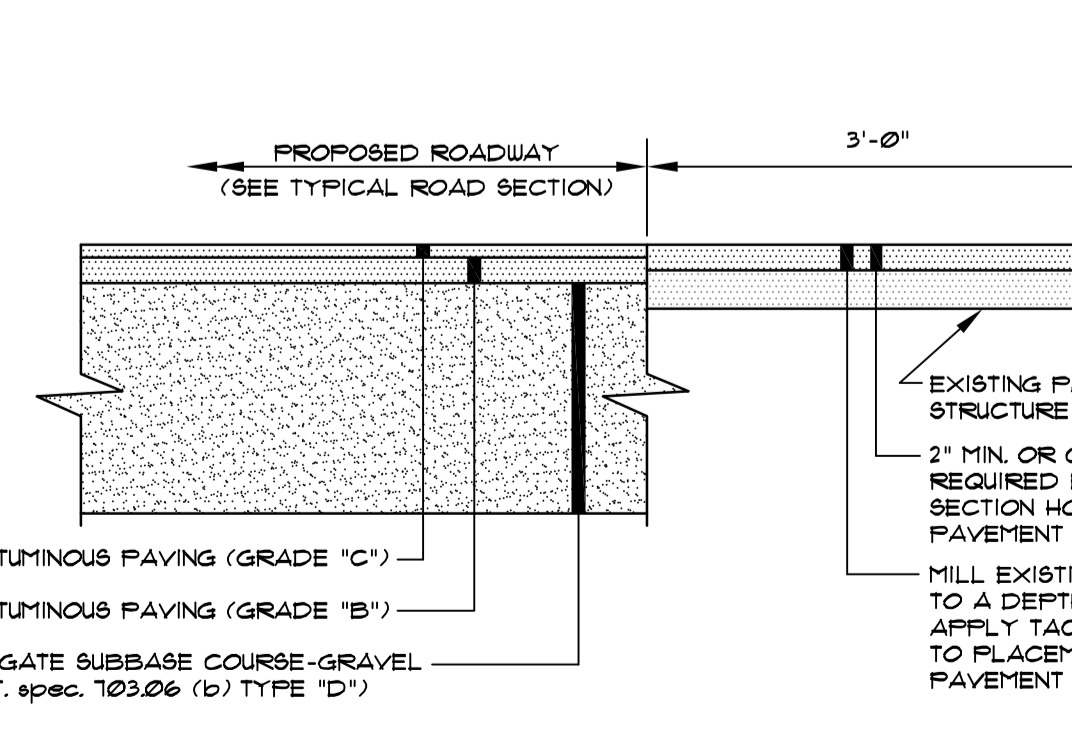


HEAVY DUTY CONCRETE PAVEMENT
NOT TO SCALE

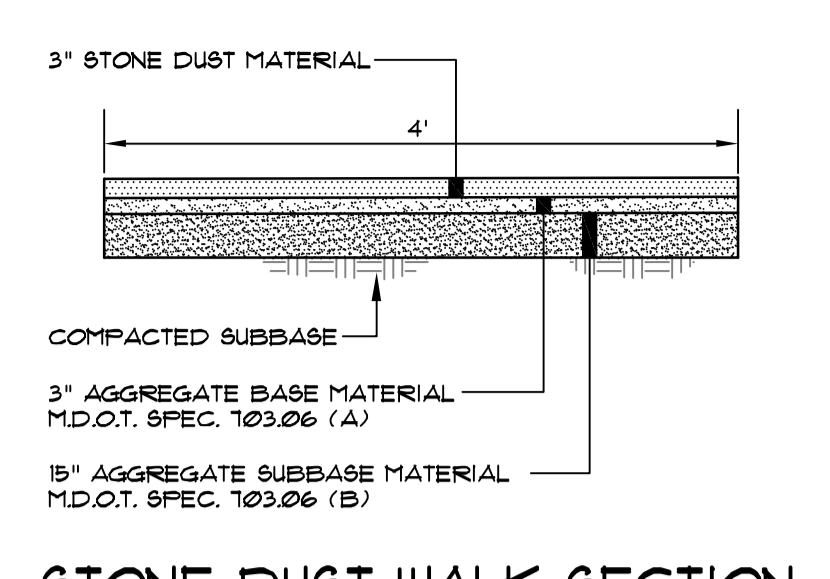
TYP. PAVED PARKING LOT SECTION
NOT TO SCALE



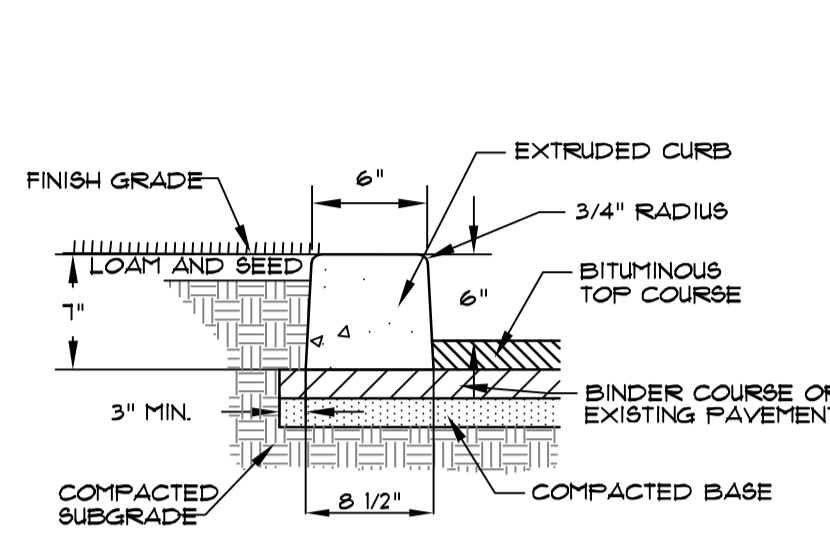
TYPICAL TIPDOWN CURB INSTALLATION
NOT TO SCALE



TYPICAL PAYMENT JOINT
NOT TO SCALE



STONE DUST WALK SECTION
NOT TO SCALE



SLIPFORM CONCRETE CURB
NOT TO SCALE

HEAVY DUTY CONCRETE PAVEMENT
NOT TO SCALE

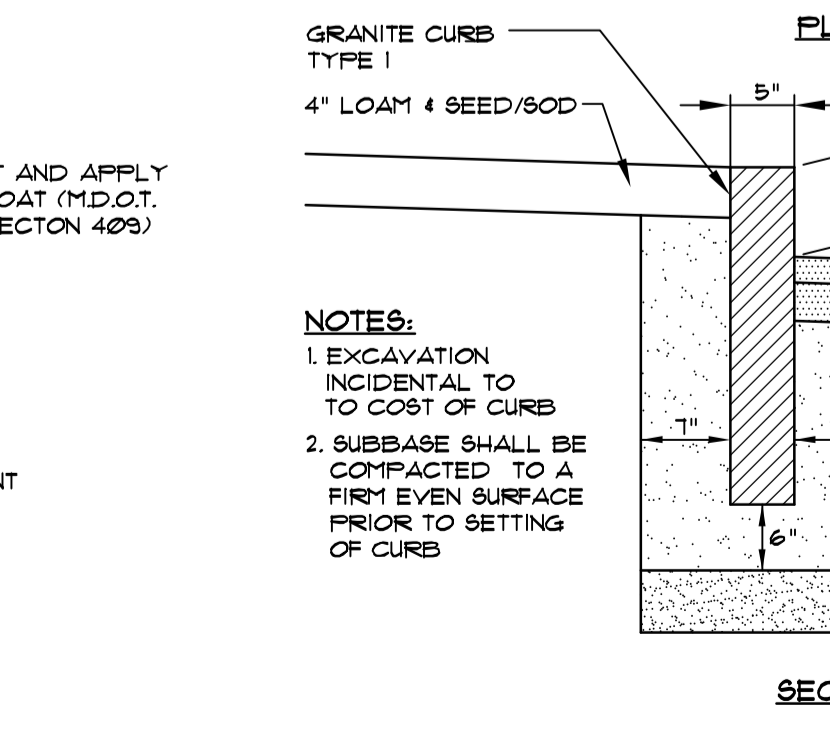


HEAVY DUTY CONCRETE PAVEMENT
NOT TO SCALE

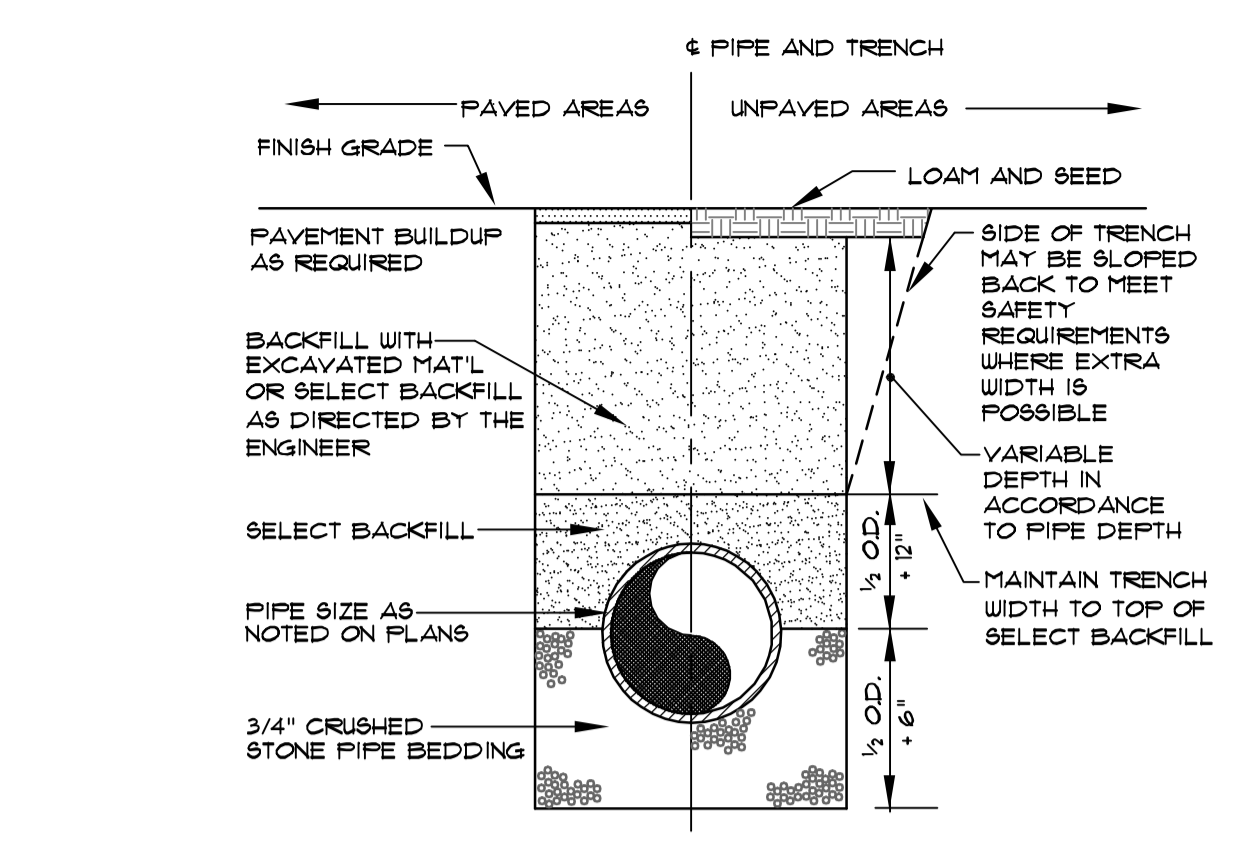
TYP. PAVED PARKING LOT SECTION
NOT TO SCALE



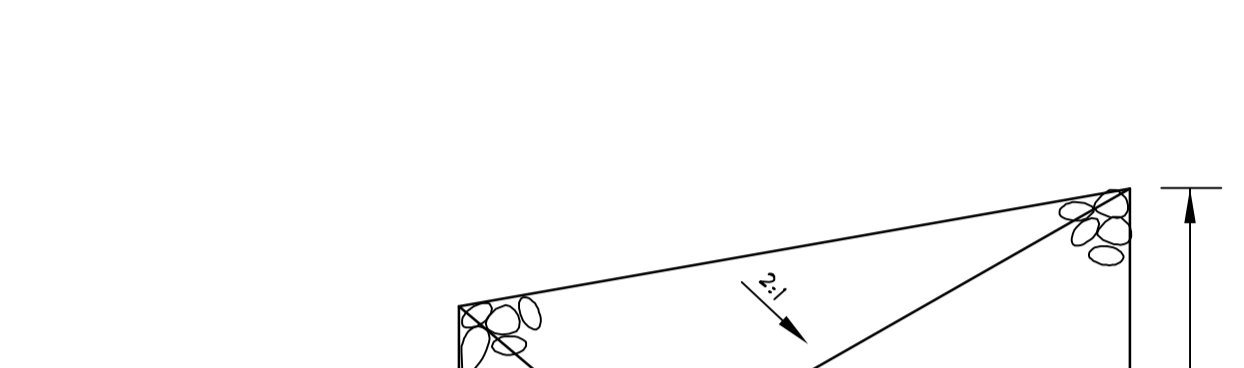
TYPICAL TIPDOWN CURB INSTALLATION
NOT TO SCALE



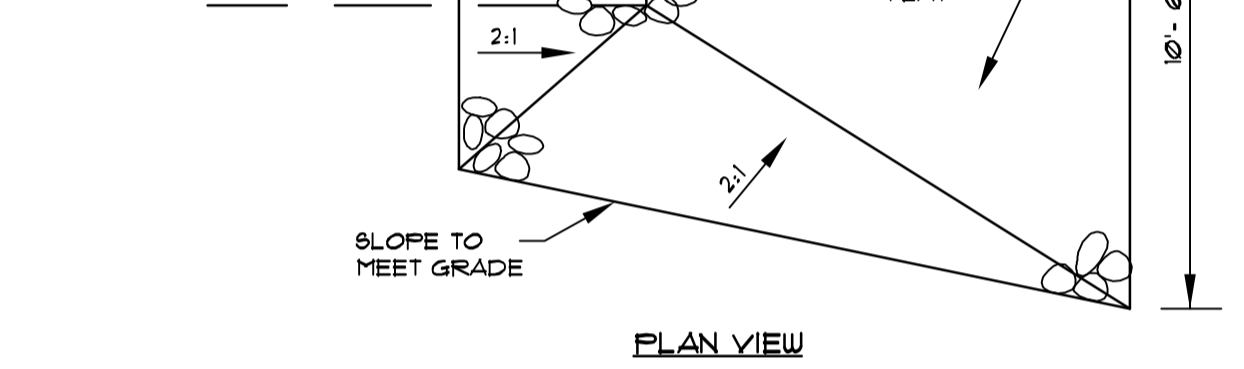
TYPICAL PAYMENT JOINT
NOT TO SCALE



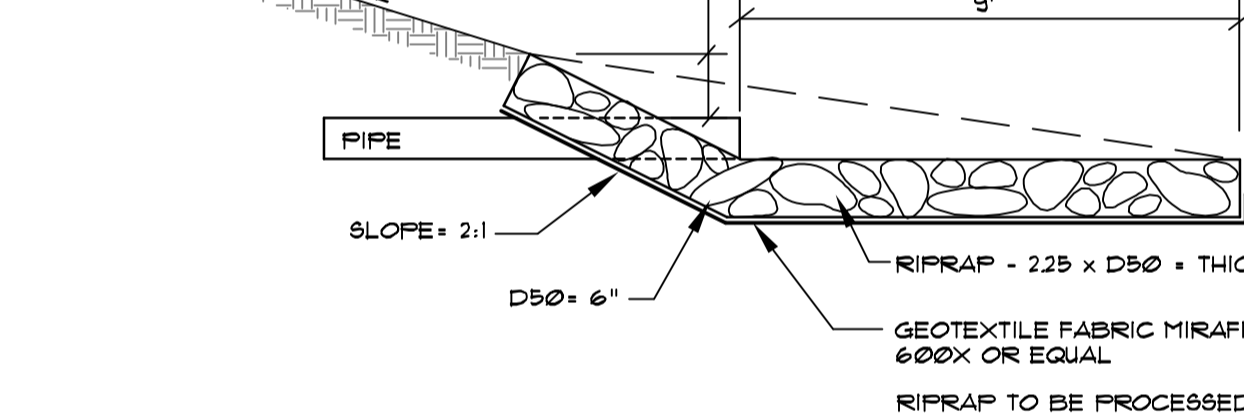
TYPICAL TRENCH SECTION
NOT TO SCALE



TYPICAL UNDERGROUND CABLE INSTALLATION
NOT TO SCALE

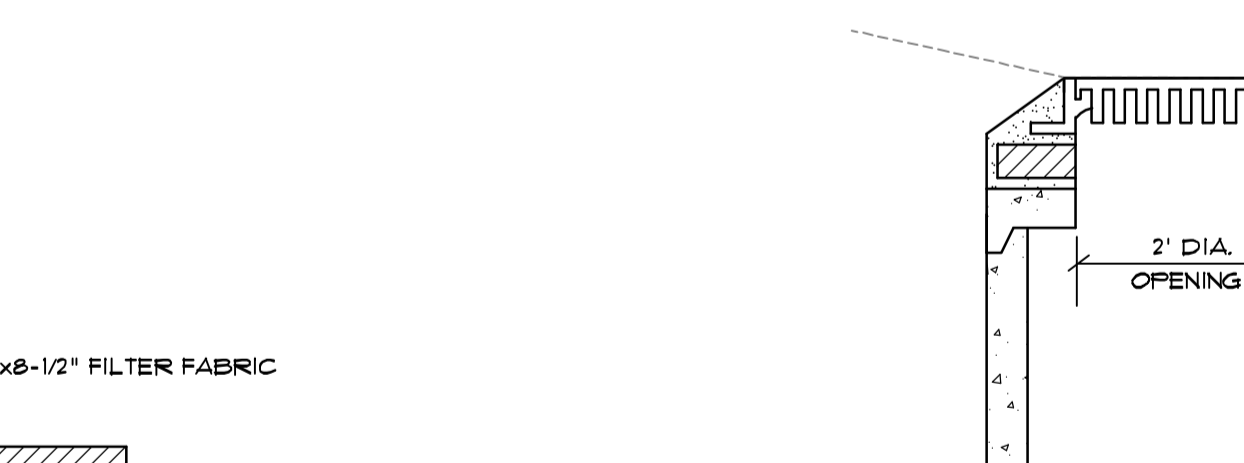


METAL BOLLARD
NOT TO SCALE

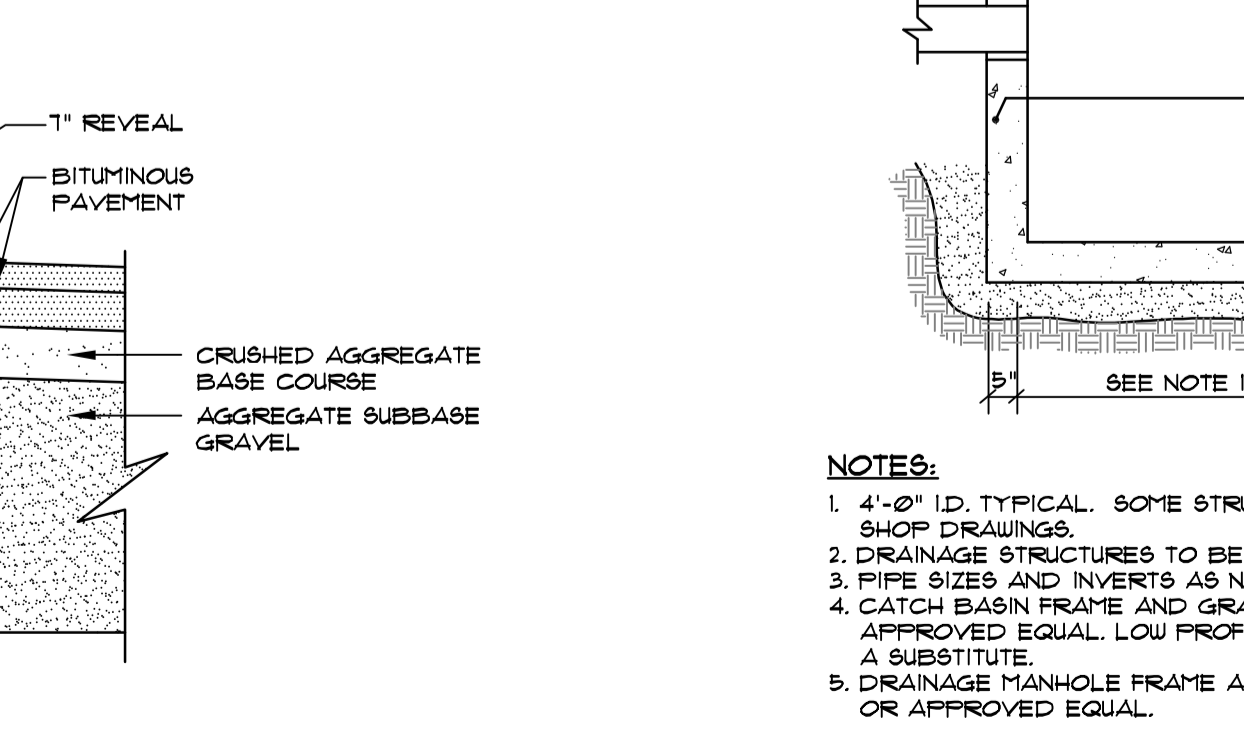


RIPRAP APRON
NOT TO SCALE

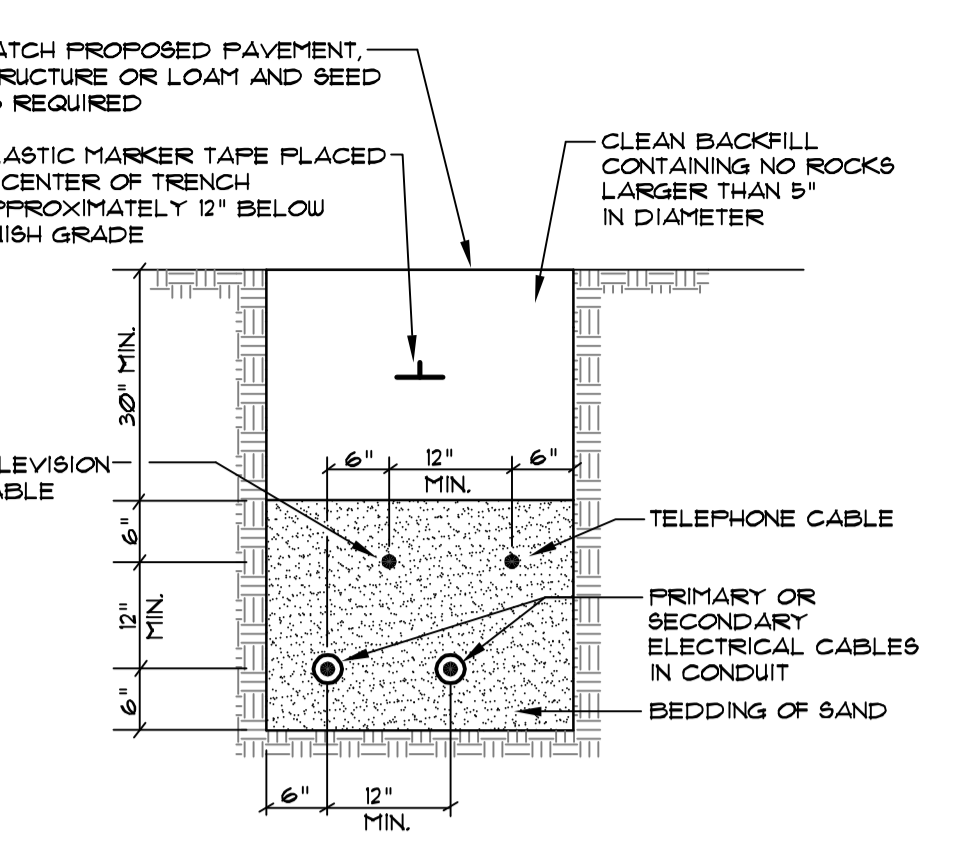
TYP. PAVED PARKING LOT SECTION
NOT TO SCALE



TYPICAL TIPDOWN CURB INSTALLATION
NOT TO SCALE



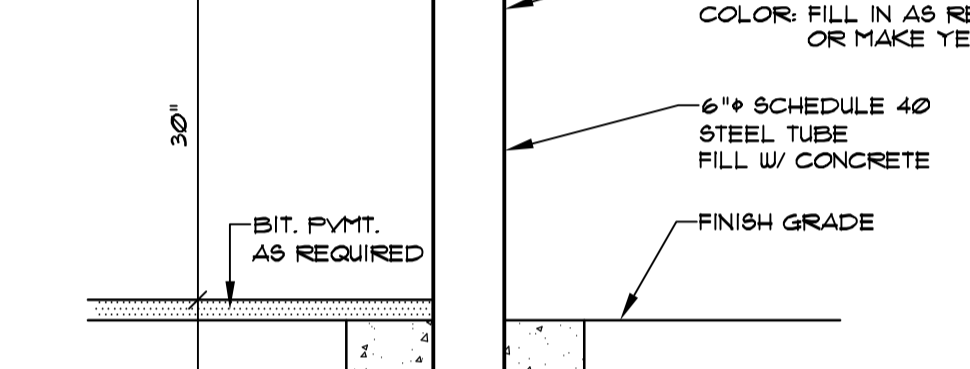
TYPICAL PAYMENT JOINT
NOT TO SCALE



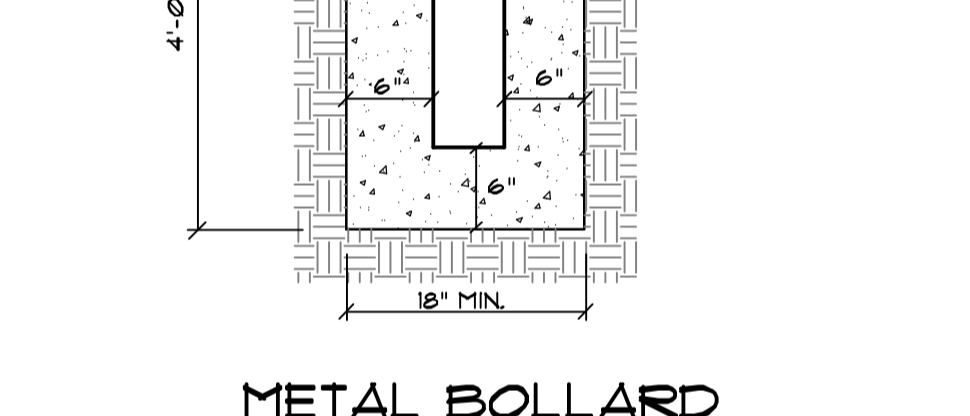
TYPICAL TRENCH SECTION
NOT TO SCALE



TYPICAL UNDERGROUND CABLE INSTALLATION
NOT TO SCALE

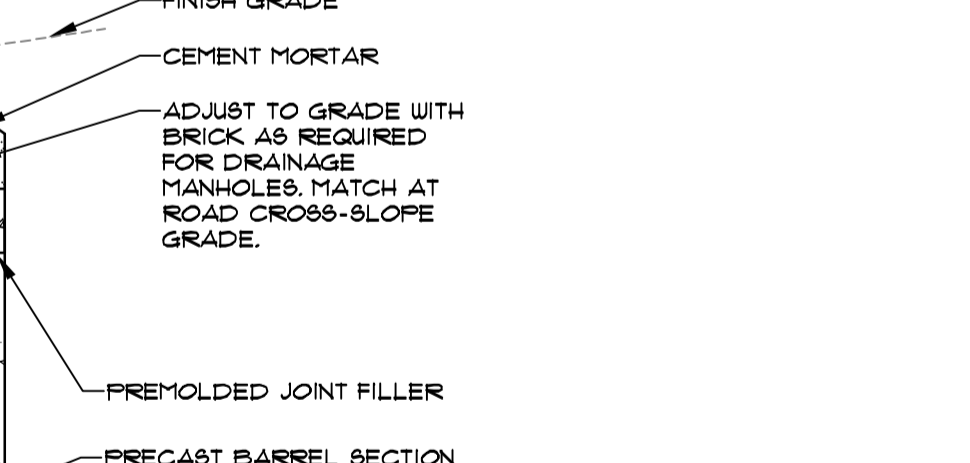


METAL BOLLARD
NOT TO SCALE

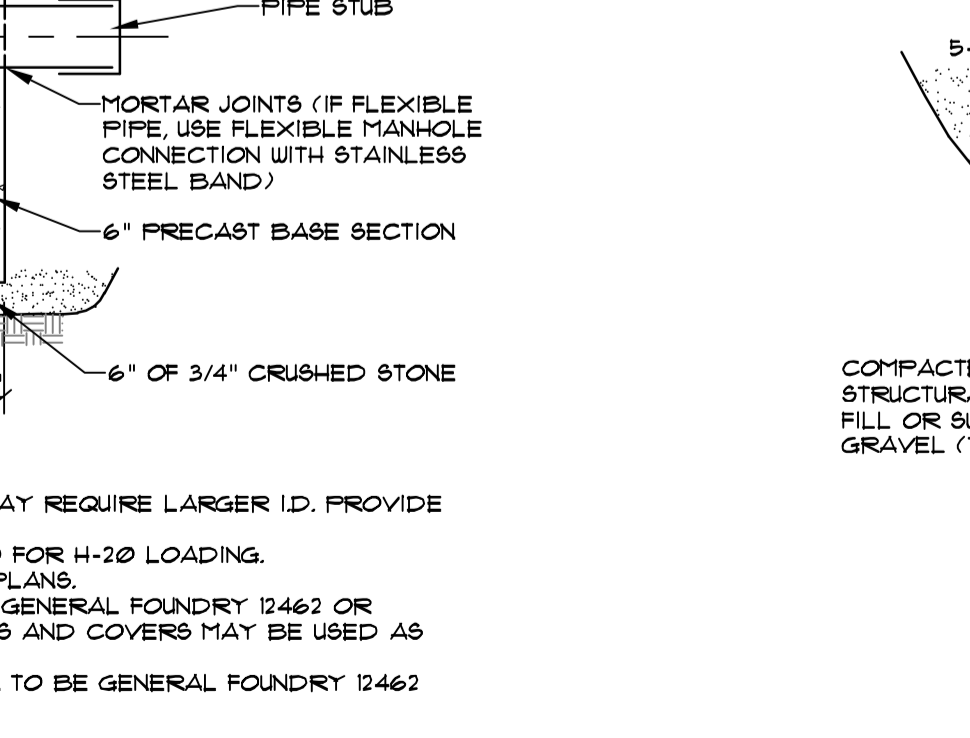


RIPRAP APRON
NOT TO SCALE

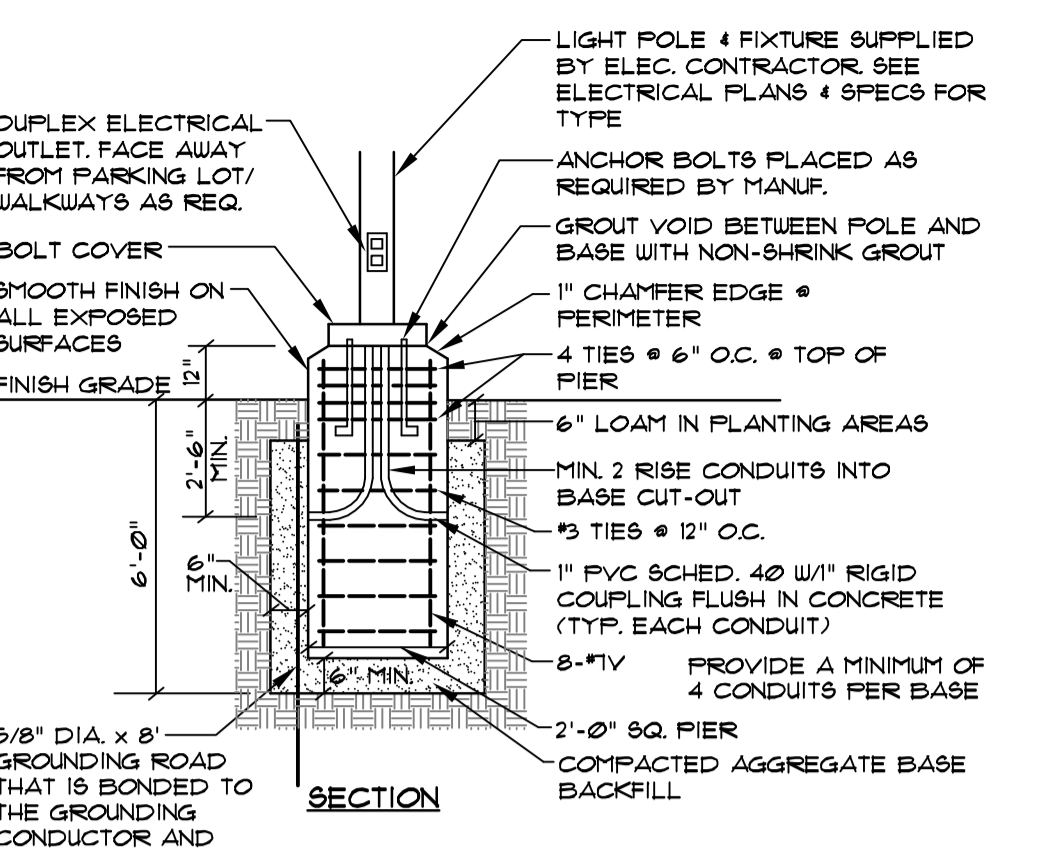
TYP. PAVED PARKING LOT SECTION
NOT TO SCALE



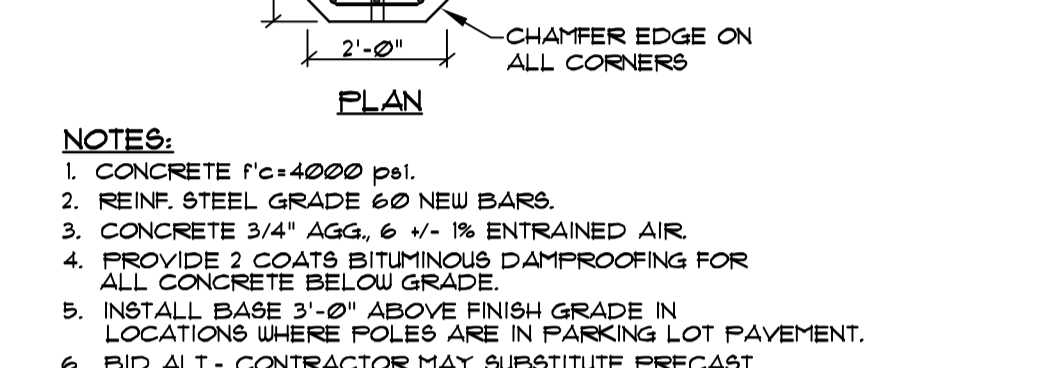
TYPICAL TIPDOWN CURB INSTALLATION
NOT TO SCALE



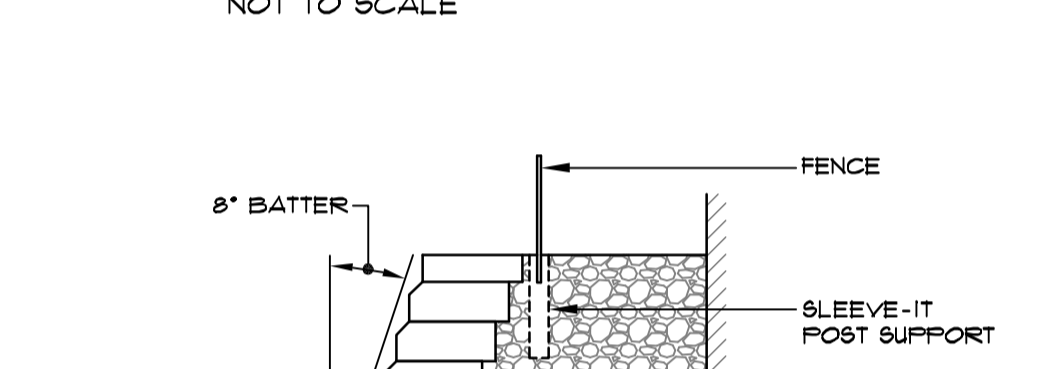
TYPICAL PAYMENT JOINT
NOT TO SCALE



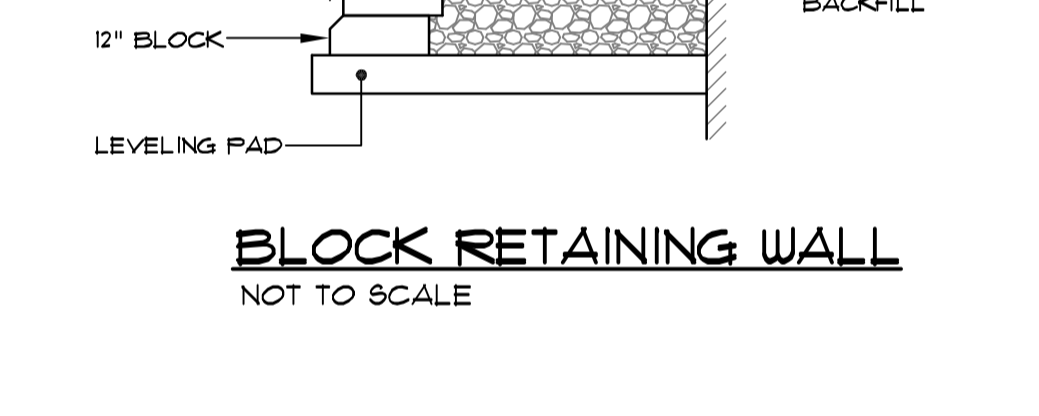
LIGHT POLE BASE
NOT TO SCALE



BLOCK RETAINING WALL
NOT TO SCALE

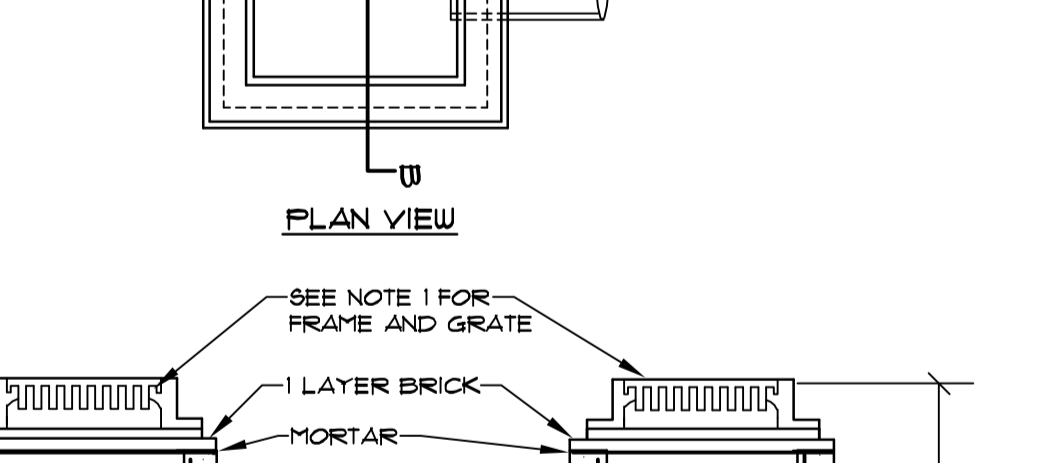


METAL BOLLARD
NOT TO SCALE

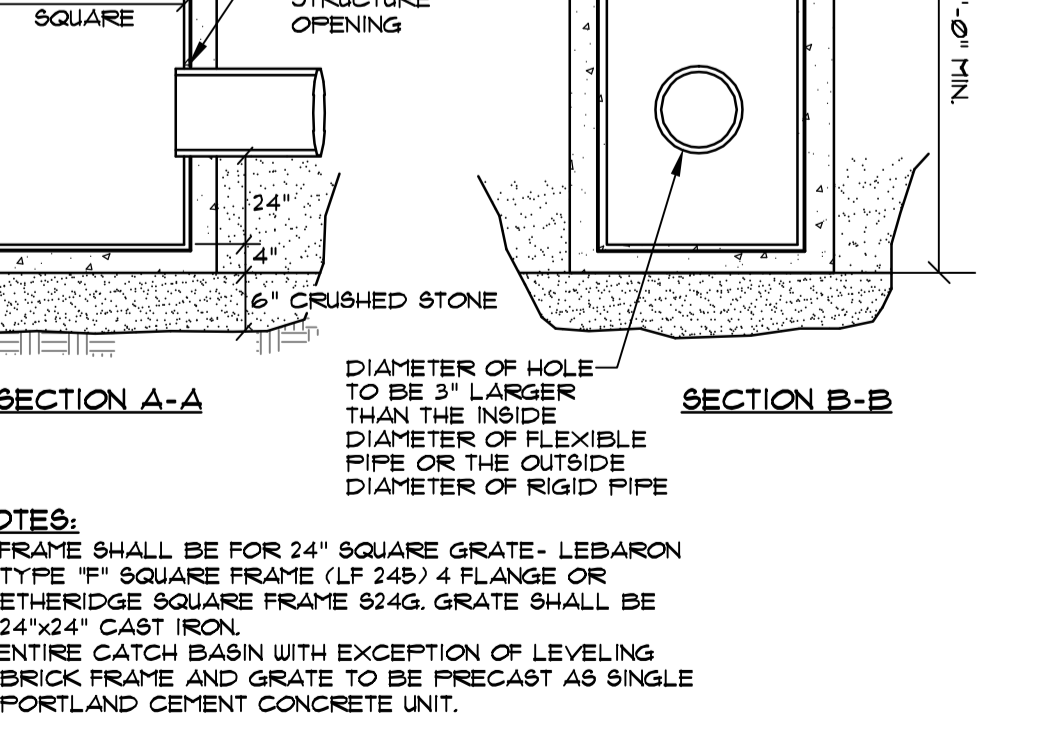


RIPRAP APRON
NOT TO SCALE

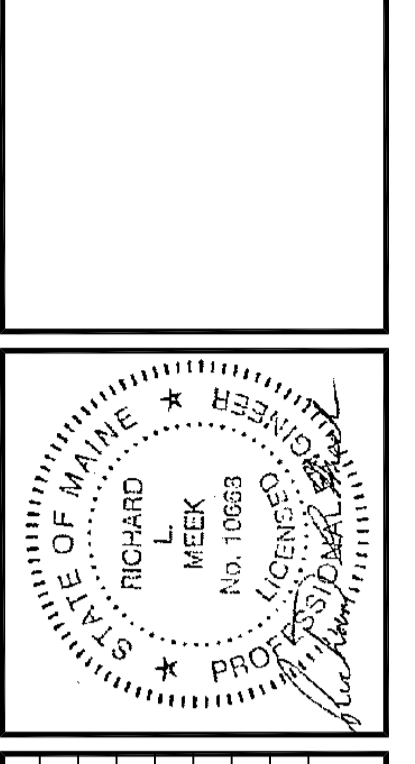
TYP. PAVED PARKING LOT SECTION
NOT TO SCALE



TYPICAL TIPDOWN CURB INSTALLATION
NOT TO SCALE



TYPICAL PAYMENT JOINT
NOT TO SCALE



REVISED TO ADDRESS CONDITIONS OF APPROVAL	07-28-14	RLM
FINAL SITE PLAN SUBMISSION TO CITY	07-11-14	RLM
DATE: 06-03-14	BY: RLM	REV: A
STATUS: DESIGN	CHKD: RLM	DRAWN: MAL
PROJECT NO. 02249	FIELD BOOK: 847	SCALE: N.T.S.

SEBAGO TECHNICS
 WWW.SEBAGOTECHNICS.COM
 75 John Roberts Rd. - Suite 1A
 South Portland, ME 04106
 Tel: 207-252-2100

ALLAGASH BREWING COMPANY
 INDUSTRIAL WAY
 PORTLAND, MAINE
 FOR: 50 INDUSTRIAL WAY
 PORTLAND, MAINE 04103

02249D.dwg TAB: D2