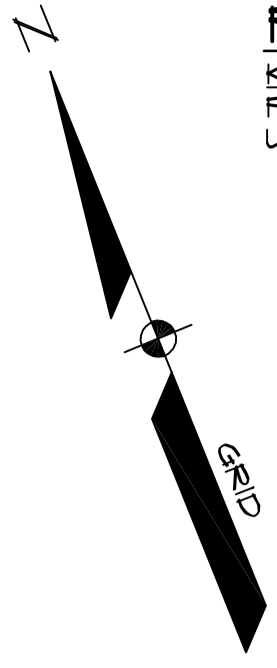


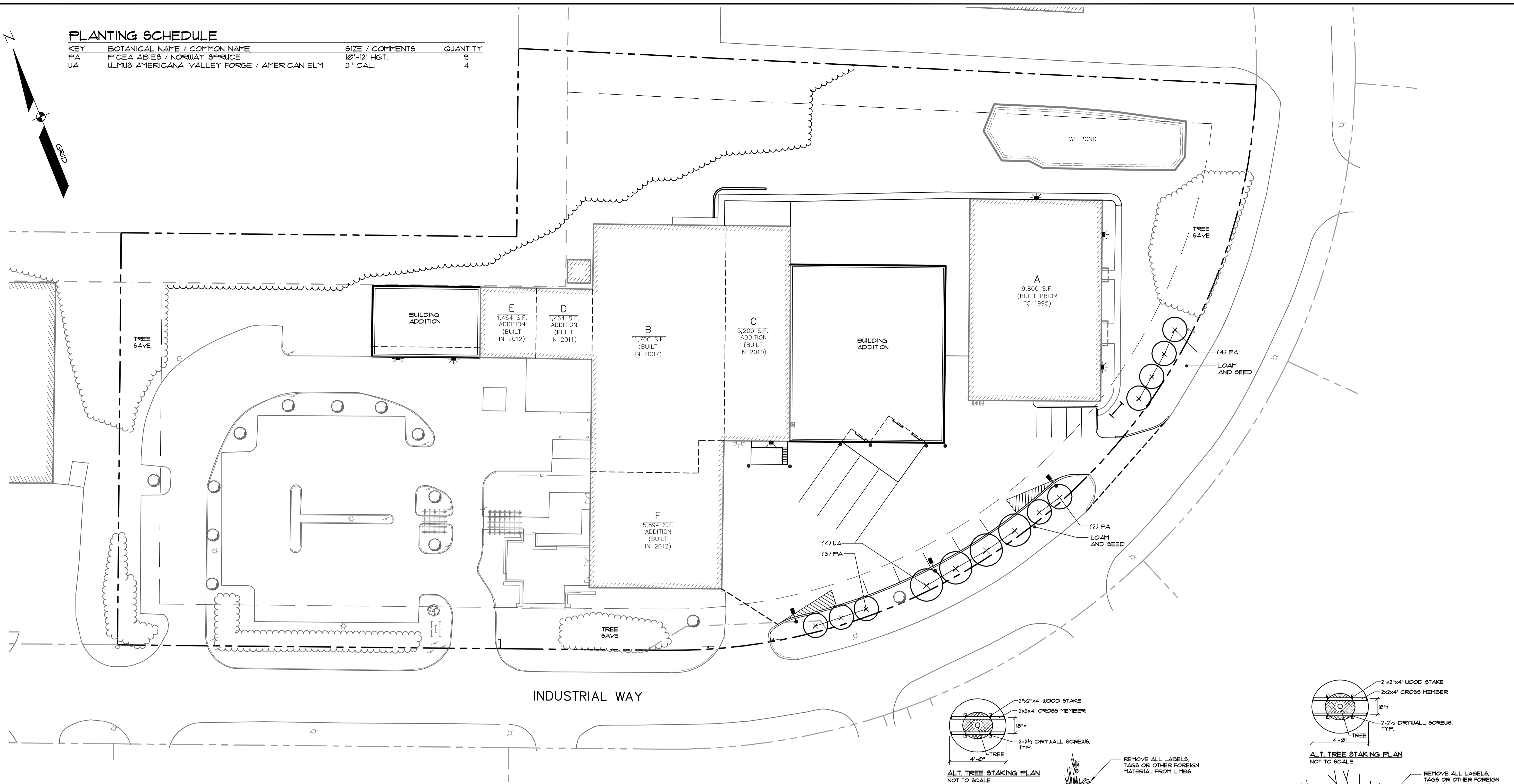


Reviewed for Code Compliance
Inspection Division
Approved with Conditions
Date: 09/15/14



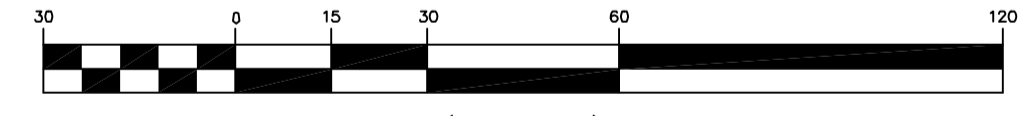
PLANTING SCHEDULE

KEY	BOTANICAL NAME / COMMON NAME	SIZE / COMMENTS	QUANTITY
PA	PICEA ABIES / NORWAY SPRUCE	10'-12' HGT.	9
UA	ULMUS AMERICANA 'VALLEY FORGE' / AMERICAN ELM	3" CAL.	4



INDUSTRIAL WAY

GRAPHIC SCALE



NOTES:

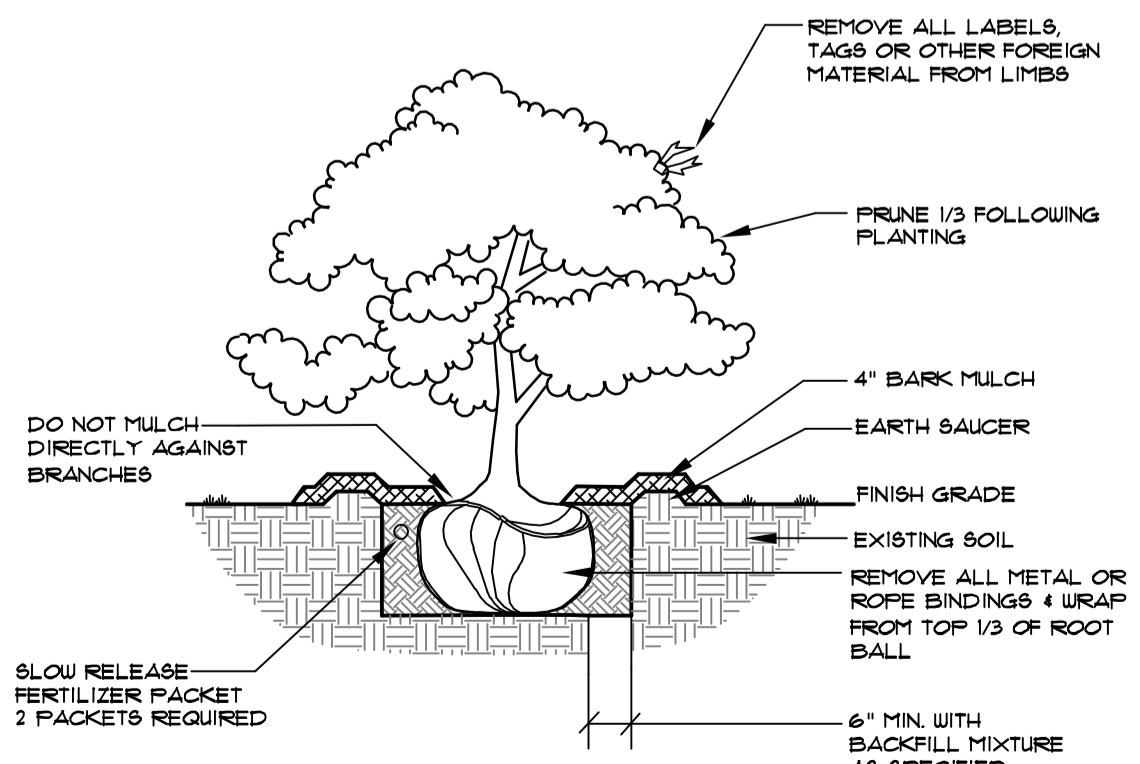
- ALL TREE SAVE AREAS MUST BE IDENTIFIED IN THE FIELD PRIOR TO SITE WORK
- PROTECTIVE MEASURES WILL BE REQUIRED IN TREE SAVE AREAS IN ORDER TO PREVENT THE STORAGE OF MATERIALS AND EQUIPMENT.
- IN THE CASE THAT TREE SAVE AREAS ARE AFFECTED DURING CONSTRUCTION, ADDITIONAL TREES/SHRUBS MAY BE NEEDED.

LIGHTING LEGEND

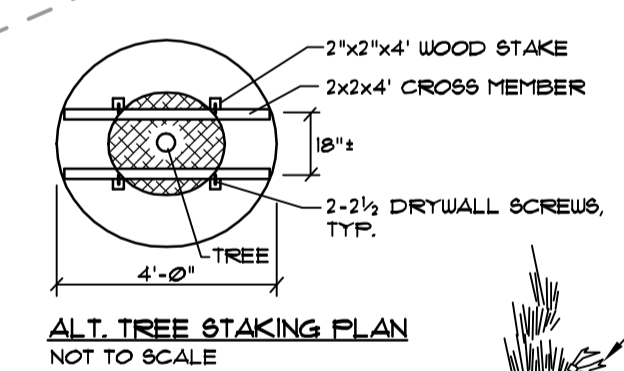
- KIM LIGHTING - IA/EKG-401-4/200HP6120/DB-F/H5/SQ_POLE
- ⊙ RAAB

LEGEND

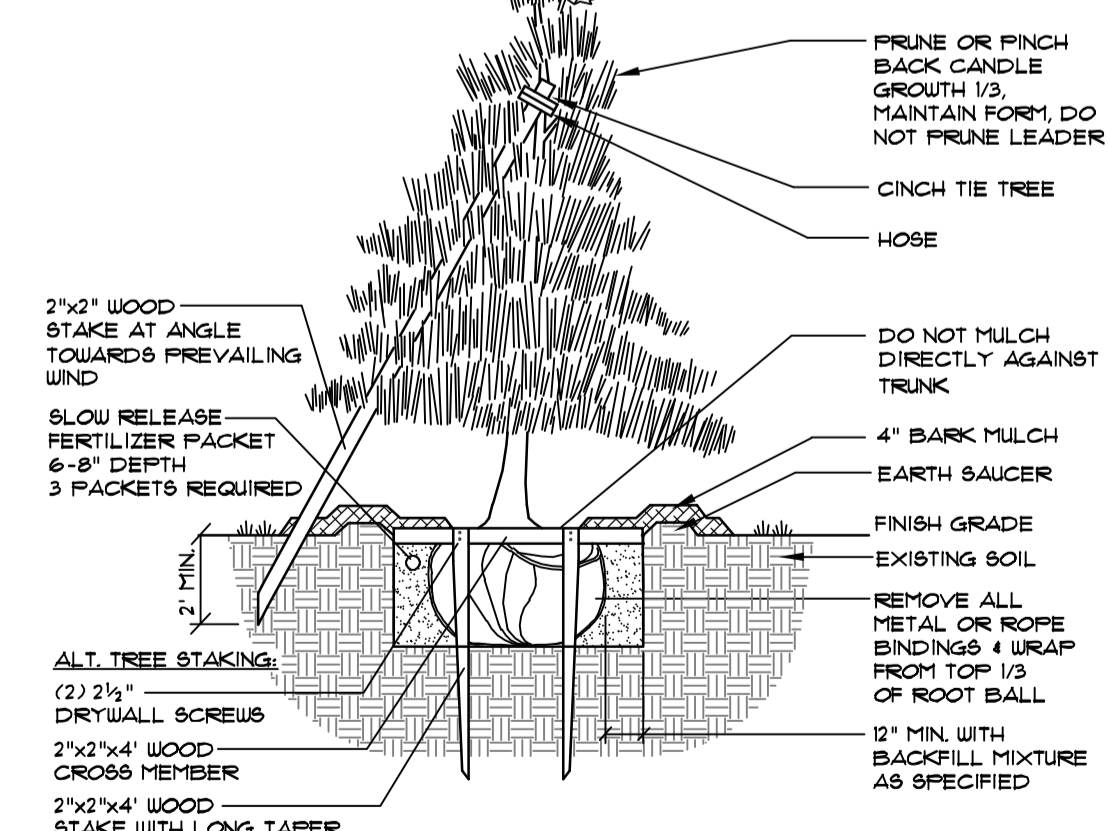
EXISTING	DESCRIPTION	PROPOSED
---	BOUNDARY LINE/ROW	---
---	ABUTTER LINE/ROW	---
---	SETBACK	---
---	EASEMENT	---
---	BUILDING	---
---	SIGN	---
---	EDGE PAVEMENT	---
---	EDGE CONCRETE	---
---	CURBLINE	---
---	TREELINE	---
○	DECIDUOUS TREE	○
⊙	CONIFEROUS TREE	⊙
---	MULCH LINE	---
---	SCREENING FENCE	---
---	BOLLARD	---
⊙	LIGHT POLE/WALL	⊙
⊙	UTILITY POLE	⊙



DECIDUOUS & EVERGREEN SHRUB
NOT TO SCALE

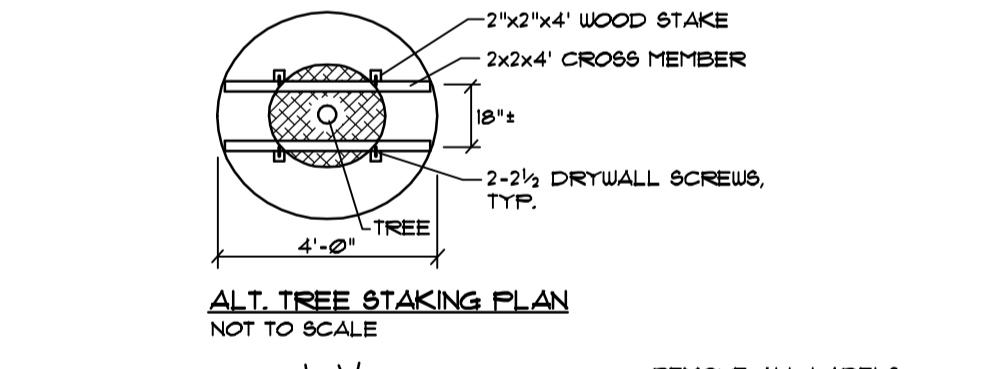


ALT. TREE STAKING PLAN
NOT TO SCALE

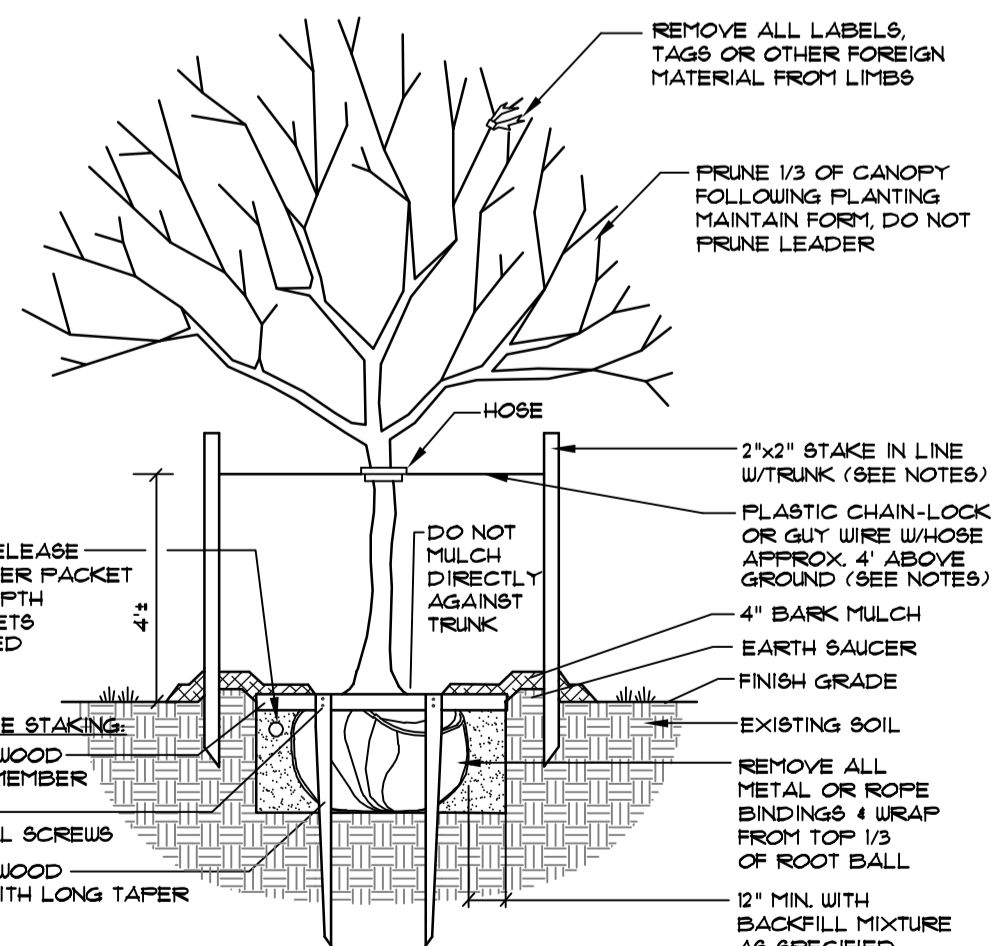


- ALT. TREE STAKING (2) 2 1/2" DRYWALL SCREWS; 2"x2" WOOD CROSS MEMBER; 2"x2" WOOD STAKE WITH LONG TAPER MIN. 18"
- NOTES:
INSTALL STAKES AND GUYS TO TREES IF THE FOLLOWING APPLY:
1. THE TREE IS OF SUBSTANTIAL SIZE.
2. THE PLANTING LOCATION IS EXTREMELY WINDY, AS ON OPEN UNDEVELOPED SITES.
3. THE PLANTING LOCATION IS COMPRISED OF SAND OR OTHER LOOSE TEXTURED SOILS.
4. IF STAKES AND GUYS ARE REQUIRED, REMOVE AFTER ONE YEAR TIME.

DECIDUOUS TREES UNDER 2" CALIPER OR EVERGREEN TREES UNDER 8' IN HEIGHT
NOT TO SCALE

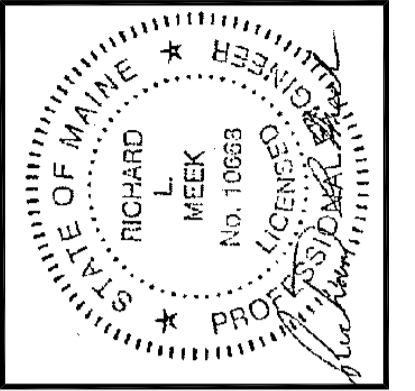


ALT. TREE STAKING PLAN
NOT TO SCALE



- ALT. TREE STAKING: 2"x2" WOOD CROSS MEMBER; (2) 2 1/2" DRYWALL SCREWS; 2"x2" WOOD STAKE WITH LONG TAPER MIN. 18"
- NOTES:
INSTALL STAKES AND GUYS TO TREES IF THE FOLLOWING APPLY:
1. THE TREE IS OF SUBSTANTIAL SIZE.
2. THE PLANTING LOCATION IS EXTREMELY WINDY, AS ON OPEN UNDEVELOPED SITES.
3. THE PLANTING LOCATION IS COMPRISED OF SAND OR OTHER LOOSE TEXTURED SOILS.
4. IF STAKES AND GUYS ARE REQUIRED, REMOVE AFTER ONE YEAR TIME.

DECIDUOUS TREES 2" TO 4" CALIPER
NOT TO SCALE



REV.	BY	DATE	STATUS
C	RLM	07-28-14	REVISED TO ADDRESS CONDITIONS OF APPROVAL
B	RLM	07-11-14	FINAL SITE PLAN SUBMISSION TO CITY
A	RLM	06-03-14	SITE PLAN SUBMISSION TO CITY

THIS PLAN SHALL NOT BE MODIFIED WITHOUT WRITTEN PERMISSION FROM SEBAGO TECHNICS, INC. ANY ALTERATIONS, AUTHORIZED OR OTHERWISE, SHALL BE AT THE USER'S SOLE RISK AND WITHOUT LIABILITY TO SEBAGO TECHNICS, INC.

SEBAGO TECHNICS
WWW.SEBAGOTECHNICS.COM
75 John Roberts Rd., Suite 1A, Scarborough, ME 04090
Tel: 207-252-2100

PROJECT NO. 02249
FIELD BOOK 847
DESIGN CHDK WTC
DRAWN MAL

LANDSCAPE AND LIGHTING PLAN - PHASE 1
OF:
ALLAGASH BREWING COMPANY
INDUSTRIAL WAY
PORTLAND, MAINE
FOR:
50 INDUSTRIAL WAY
PORTLAND, MAINE 04103

DATE	SCALE
05-20-14	1" = 30'

SHEET C7.1

02249L-1-PHASE 1.dwg, TAB: L-PH1