

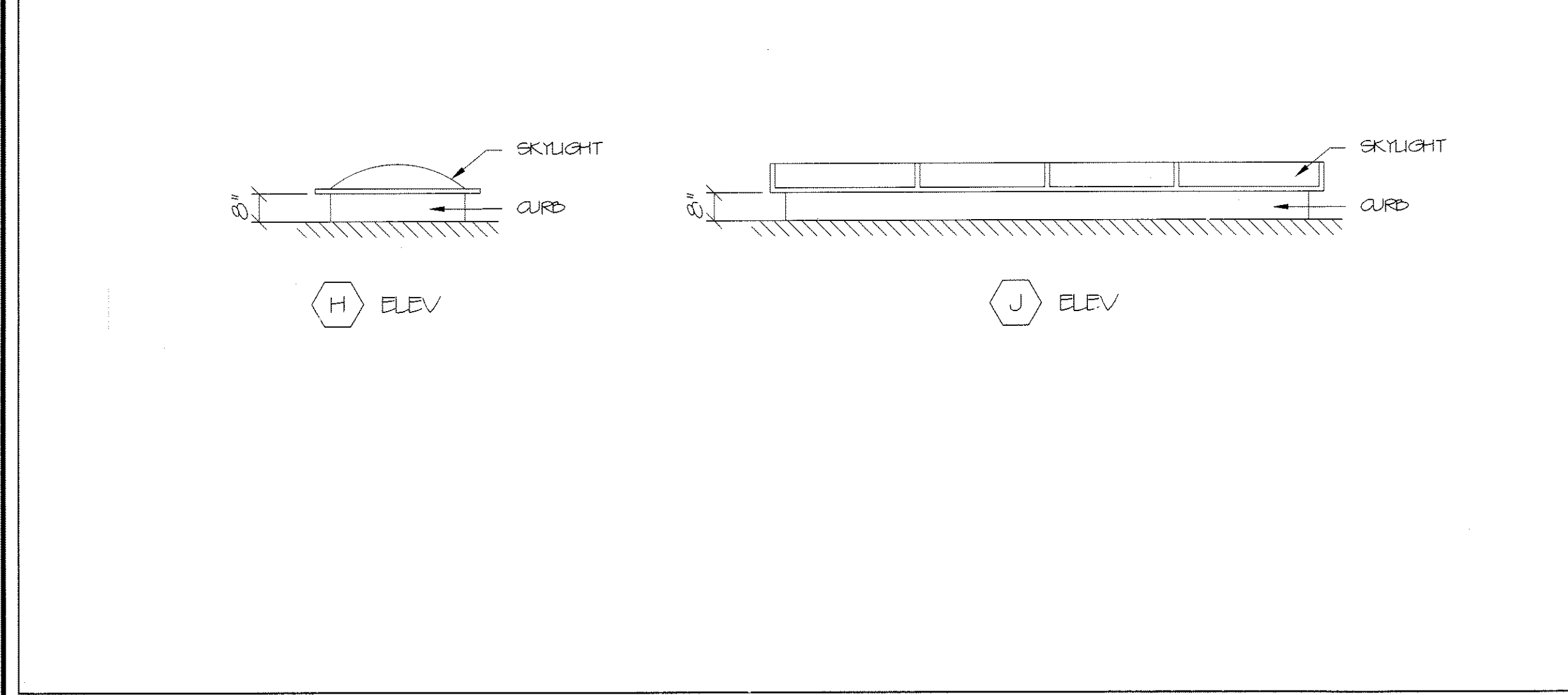
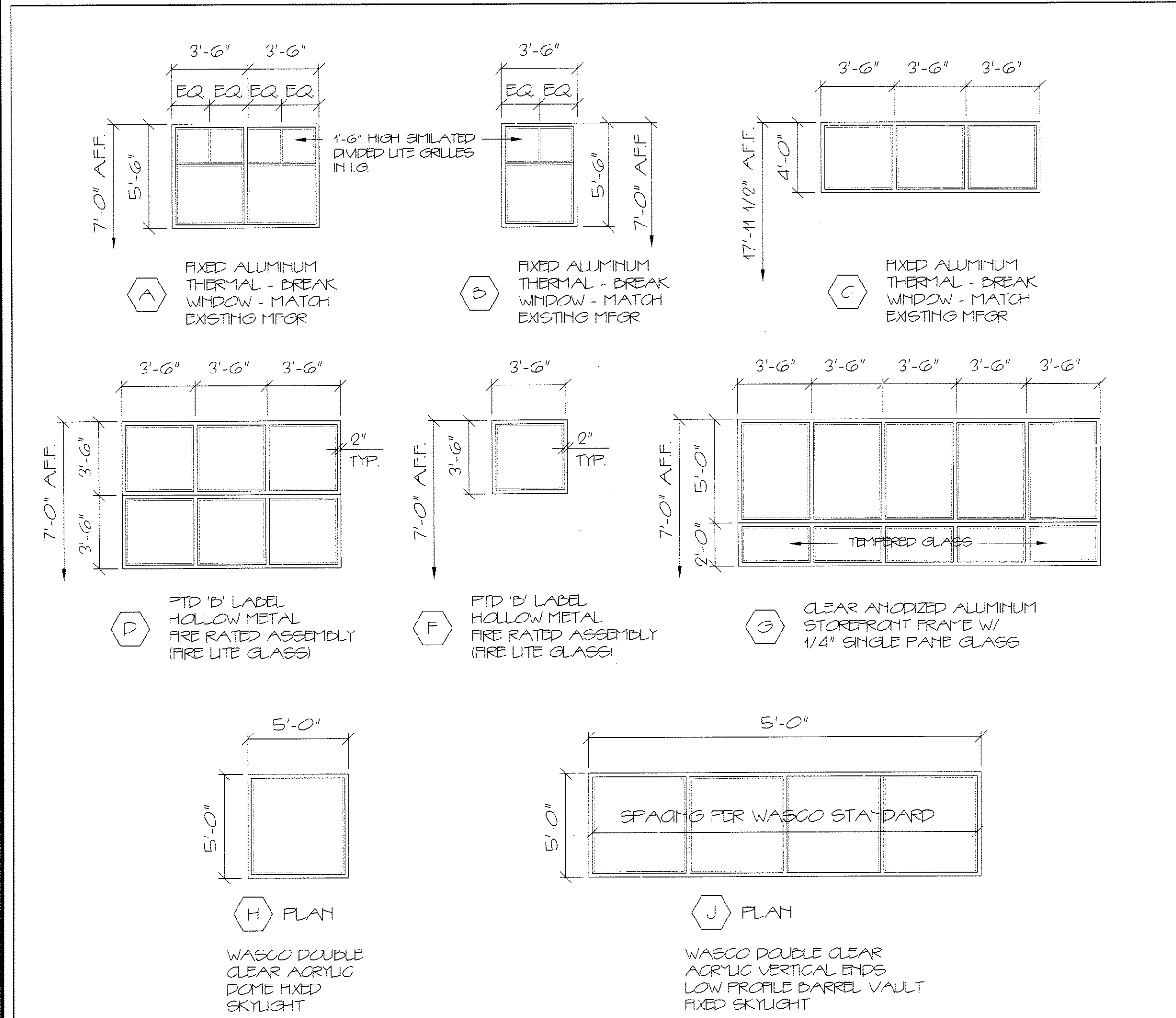


# WINDOW SCHEDULE

### ABBREVIATIONS

|     |                                |    |                   |
|-----|--------------------------------|----|-------------------|
| AL  | ALUMINUM                       | T  | TEMPERED          |
| EMO | EXISTING                       | TH | THERMAL INSULATED |
| EM  | ELECTRO-MAGNETIC HOLD OPERATOR | V  | VIEW              |
| GL  | GLASS                          | W  | WIRE              |
| HM  | HOLLOW METAL                   | WP | WOOD              |
| SS  | STAINLESS STEEL                | W/ | WITH              |

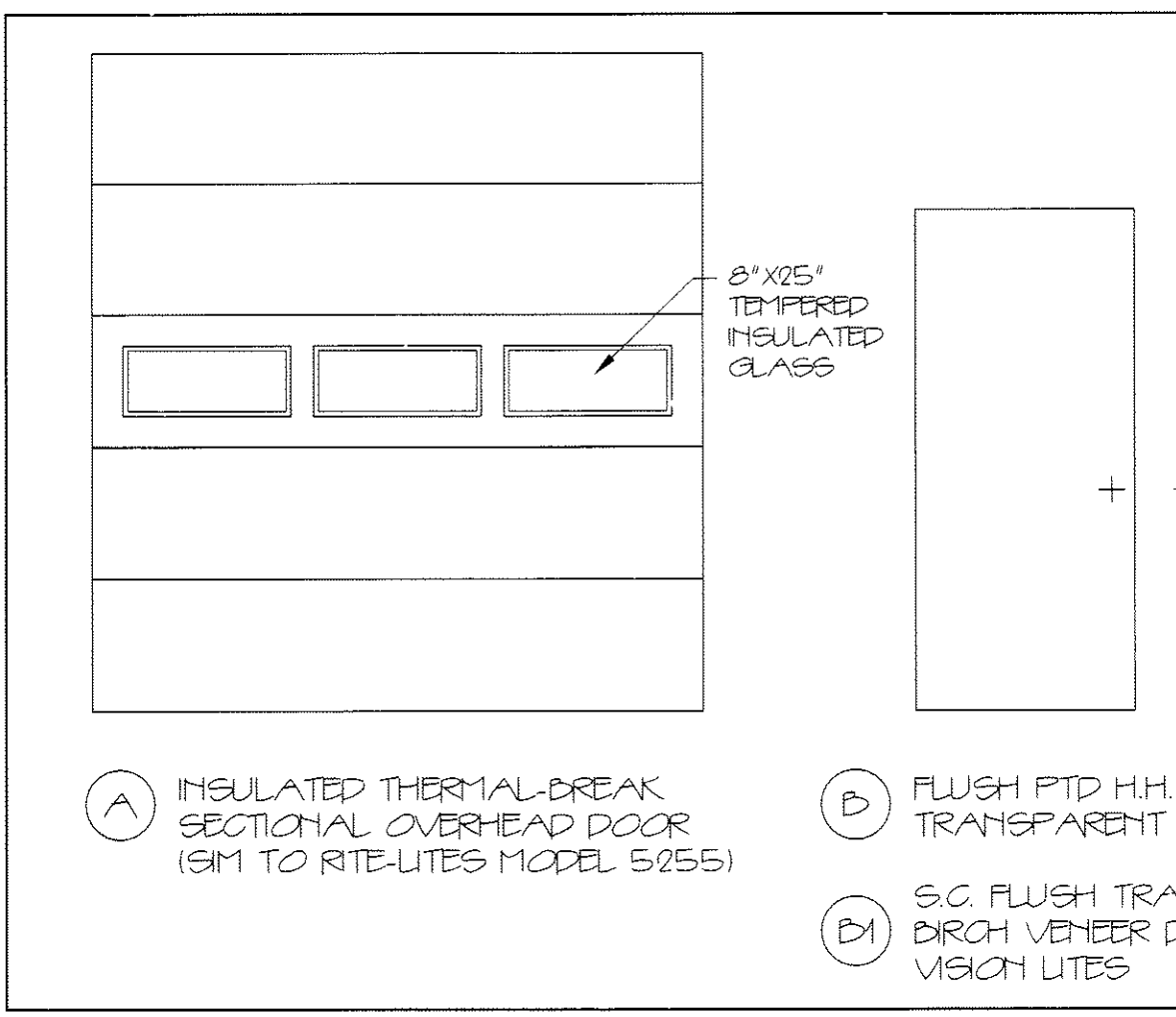
| NO. | TYPE           | MANUFACTURER |                 | NOMINAL SIZE |        | DETAILS |      |      |      | REMARKS |                                    |
|-----|----------------|--------------|-----------------|--------------|--------|---------|------|------|------|---------|------------------------------------|
|     |                | MATERIAL     | MODEL           | WIDTH        | HEIGHT | HEAD    | JAMB | SILL | MUNT |         | MULL                               |
| A   | FIXED          | TUBELITE     | 14000 VQ SERIES | 7'-0"        | 5'-6"  |         |      |      |      |         | MATCH BREWHOUSE ADDITION MFGR      |
| D   | FIXED          |              |                 | 3'-6"        | 5'-6"  |         |      |      |      |         | MATCH BREWHOUSE ADDITION MFGR      |
| C   | FIXED          |              |                 | 10'-6"       | 4'-0"  |         |      |      |      |         | MATCH BREWHOUSE ADDITION MFGR      |
| D   | FIXED          | HOLLOW METAL | "B" LABEL       | 10'-6"       | 7'-0"  |         |      |      |      |         | FIRE RATED ASSEMBLY                |
| F   | FIXED          | HOLLOW METAL | "B" LABEL       | 3'-6"        | 3'-6"  |         |      |      |      |         | FIRE RATED ASSEMBLY                |
| G   | FIXED          | TUBELITE     | 4500 SERIES     | 15'-0"       | 7'-0"  |         |      |      |      |         |                                    |
| H   | FIXED          | WASCO        | 058060          | 5'-0"        | 5'-0"  |         |      |      |      |         | DOUBLE DOME                        |
| J   | FIXED          | WASCO        | DOTBW           | 5'-0"        | 20'-0" |         |      |      |      |         | * LENGTH/LOW PROFILE BARREL VAULTS |
| E/R | EXISTING FIXED | TED (ALUM)   | TED             | 6'-0"        | 16'-0" |         |      |      |      |         | (2) SECTIONS                       |



WINDOW TYPES 1/4" = 1'-0"

- HW-1**
  - 3 BUTTS
  - 1 EXIT DEVICE W/ LEVER
  - 1 CLOSER - PARALLEL ARM
  - 1 DOOR BOTTOM
  - 1 HEAD/JAMB WEATHERSTRIPPING SET
  - 1 THRESHOLD
  - 1 KICKPLATE
- HW-2**
  - 3 BUTTS
  - 1 LEVER LATCHSET - PASSAGE FUNCTION
  - 1 CLOSER - PARALLEL ARM
  - 1 DOOR BOTTOM
  - 1 HEAD/JAMB WEATHERSTRIPPING
  - 1 THRESHOLD
  - 1 KICKPLATE
- HW-3**
  - PROVIDED & INSTALLED BY OWNER
  - 1 SLIDING DOOR OVERHEAD TRACK W/STOPS - BARNY STYLE
  - 2 PULLEY ROLLERS WITH DOOR BRACKETS
  - 2 DOOR PULLS
- HW-4**
  - 3 BUTTS
  - 1 LEVER LOCKSET - STORE ROOM FUNCTION
  - 1 CLOSER - PARALLEL ARM
  - 1 KICKPLATE
  - 1 FRAME SILENCERS
- HW-5**
  - 3 BUTTS
  - 1 LEVER LATCHSET - PASSAGE FUNCTION
  - 1 CLOSER - PARALLEL ARM
  - 1 KICKPLATE
  - 1 FRAME SILENCERS
- HW-6**
  - 6 BUTTS
  - 2 EXIT DEVICES WITH LEVERS
  - 2 CLOSER - PARALLEL ARM
  - 2 KICKPLATE
  - 1 FRAME SILENCERS
- HW-7**
  - 3 BUTTS
  - 1 LEVER LATCHSET - PASSAGE FUNCTION
  - 1 KICKPLATE
  - 1 DOOR STOP
  - 1 FRAME SILENCERS
- HW-8**
  - 3 BUTTS
  - 1 LEVER LATCHSET - PASSAGE FUNCTION
  - 1 CLOSER - PARALLEL ARM
  - 1 KICKPLATE
  - 1 DOOR STOP
  - 1 FRAME SILENCERS
- HW-9**
  - 3 BUTTS
  - 1 LEVER LOCKSET - OFFICE FUNCTION
  - 1 DOOR STOP
  - 1 FRAME SILENCERS
- HW-10**
  - 3 BUTTS
  - 1 LEVER LOCKSET - STORE ROOM FUNCTION
  - 1 DOOR STOP
  - 1 FRAME SILENCERS
- HW-11**
  - 3 BUTTS
  - 1 LEVER LATCHSET - PASSAGE FUNCTION
  - 1 DOOR STOP
  - 1 FRAME SILENCERS
- HW-12**
  - 6 BUTTS
  - 2 CLOSERS - PARALLEL ARMS
  - 1 EXIT DEVICE WITH LEVER (EGRESS LEAF)
  - 1 LEVER LOCKSET - OFFICE FUNCTION (INCH-EGRESS LEAF)
  - 2 DOOR STOPS
  - 1 FRAME SILENCERS
- HW-13**
  - 3 BUTTS
  - 1 EXIT DEVICE WITH LEVER
  - 1 CLOSER - PARALLEL ARM
  - 1 KICKPLATE
  - 1 DOOR STOP
  - 1 FRAME SILENCERS

HARDWARE SETS NO SCALE



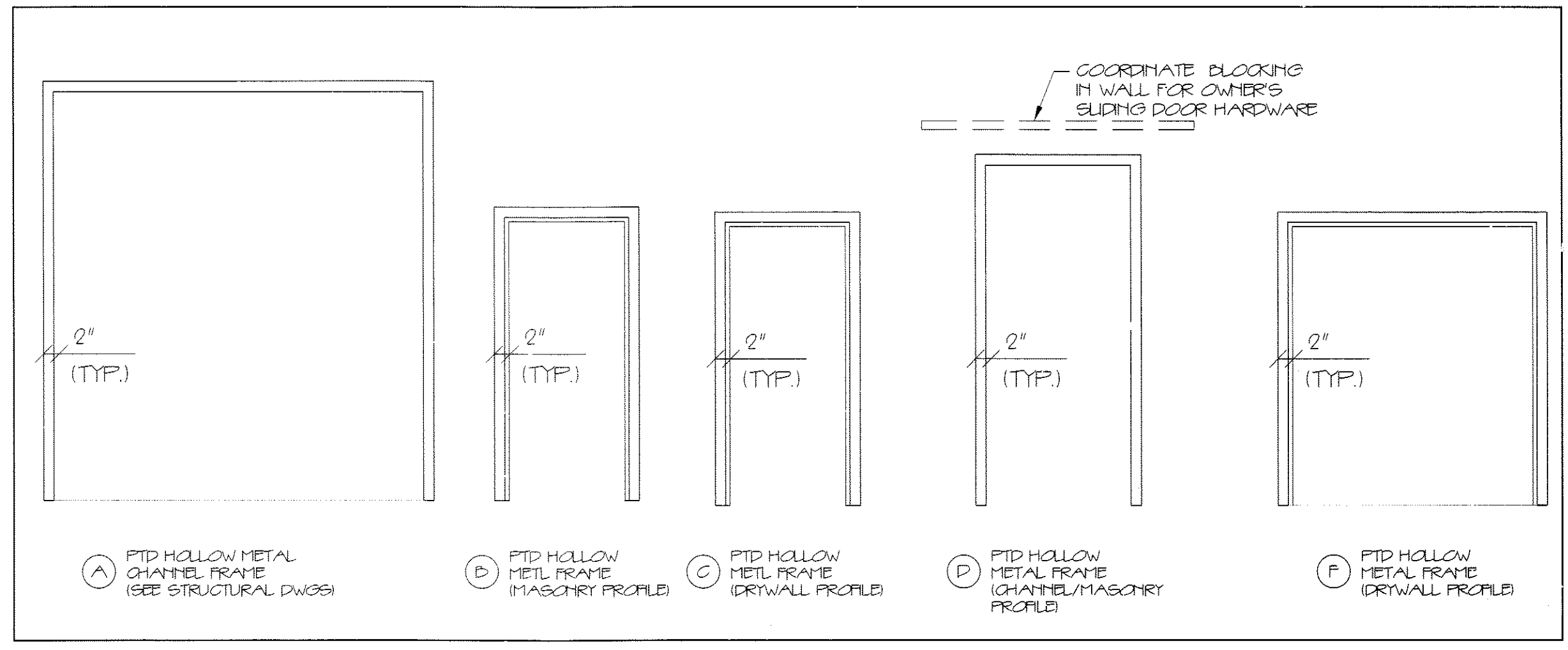
FRAME TYPES 3/8" = 1'-0"

## DOOR SCHEDULE

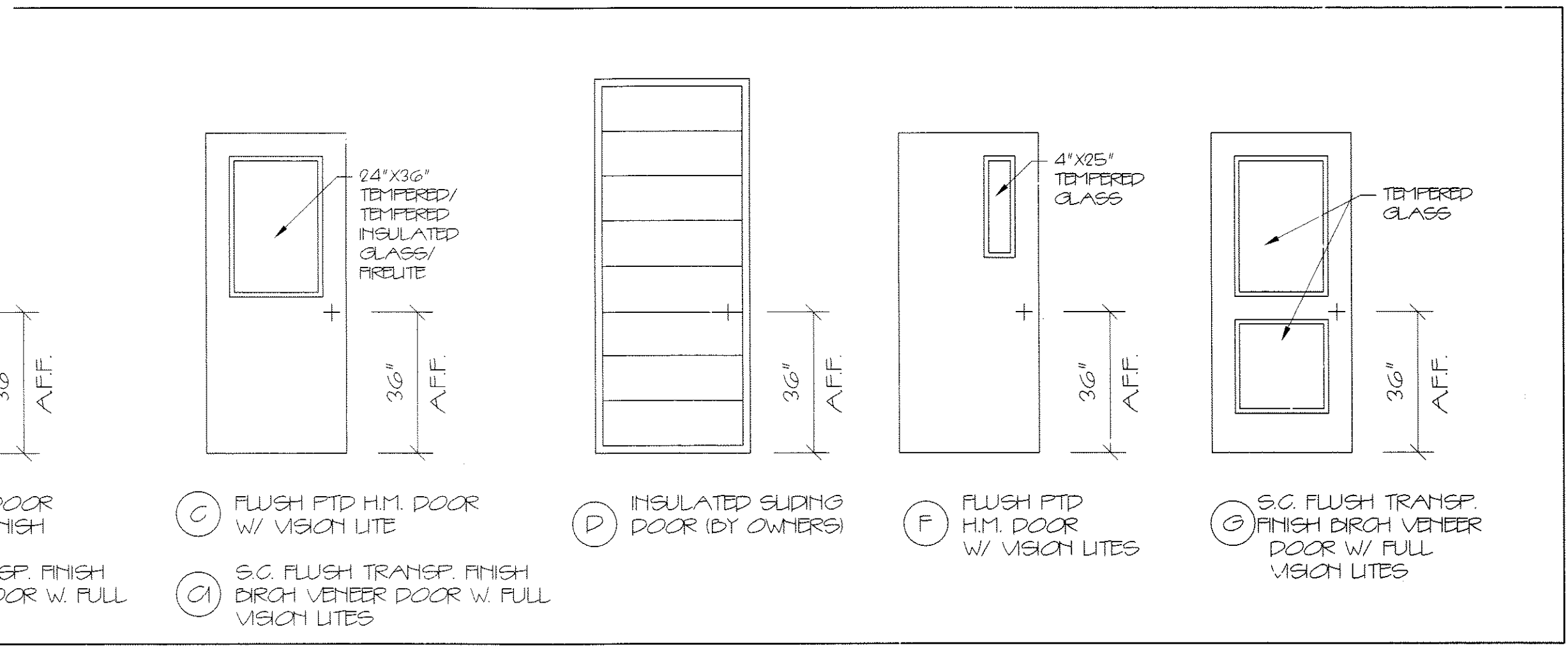
E = EXISTING (TO REMAIN)  
E/R = EXISTING (RELOCATE)

| NO. | TYPE | SIZE (W X H)  | THK    | INSUL | HDWE  | FR   | GLASS   |          | REMARKS                | FRAMES |      |         | THRESHOLDS |          |         |     |      |
|-----|------|---------------|--------|-------|-------|------|---------|----------|------------------------|--------|------|---------|------------|----------|---------|-----|------|
|     |      |               |        |       |       |      | TYPE    | SIZE     |                        | TYPE   | FR   | PROFILE | DETAILS    | MATERIAL | DETAILS | FIN |      |
|     |      |               |        |       |       |      |         |          |                        | HEAD   | JAMB | SILL    | FIN        |          |         |     |      |
| 101 | A    | 8'-0"X10'-0"  | MPGR   | R-14  | MPGR  | NO   | T-INSUL | 3/8"X24" | T-BREAK/WHITE FINISH   | HM     | NO   | A       | MPGR       | MPGR     | NONE    | -   | CGNG |
| 102 | A    | 8'-0"X10'-0"  | MPGR   | R-14  | MPGR  | NO   | T-INSUL | 3/8"X24" | T-BREAK/WHITE FINISH   | HM     | NO   | A       | MPGR       | MPGR     | NONE    | -   | CGNG |
| 103 | A    | 8'-0"X10'-0"  | MPGR   | R-14  | MPGR  | NO   | T-INSUL | 3/8"X24" | T-BREAK/WHITE FINISH   | HM     | NO   | A       | MPGR       | MPGR     | NONE    | -   | CGNG |
| 104 | C    | 3'-0"X7'-0"   | 1 3/4" | R-10  | HW-1  | NO   | T-INSUL | 24X36    |                        | HM     | NO   | D       |            |          | ALUM    | -   |      |
| 105 | C    | 3'-0"X7'-0"   | 1 3/4" | R-10  | HW-1  | NO   | T-INSUL | 24X36    |                        | HM     | NO   | D       |            |          | ALUM    | -   |      |
| 106 | C    | 3'-0"X7'-0"   | 1 3/4" | NO    | HW-2  | NO   | T       | 24X36    |                        | HM     | NO   | C       |            |          | ALUM    | -   |      |
| 107 | D    | 3'-0"X7'-0"   | 1 3/4" | R-10  | HW-2  | NO   | NONE    | NONE     |                        | HM     | NO   | C       |            |          | ALUM    | -   |      |
| 108 | D    | 4'-0"X8'-0"   | TED    | R-10  | HW-3  | NO   | NONE    | NONE     | SLIDING DOOR TRACK B.2 | HM     | NO   | D       |            |          | NONE    | -   | CGNG |
| 109 | C    | 3'-0"X7'-0"   | 1 3/4" | NO    | HW-2  | NO   | T       | 24X36    |                        | HM     | NO   | C       |            |          | ALUM    | -   |      |
| 110 | D    | 3'-0"X7'-0"   | 1 3/4" | NO    | HW-4  | D    | NONE    | NONE     |                        | HM     | D    | C       |            |          | NONE    | -   | CGNG |
| 111 | F    | 3'-0"X7'-0"   | 1 3/4" | NO    | HW-5  | NO   | T       | 4'X25'   |                        | HM     | NO   | C       |            |          | NONE    | -   | CGNG |
| 112 | A    | 10'-0"X10'-0" | MPGR   | R-14  | MPGR  | 1 HR | T-INSUL | 3/8"X24" | T-BREAK/WHITE FINISH   | HM     | NO   | A       | MPGR       | MPGR     | NONE    | -   | CGNG |
| 201 | C    | 3'-0"X7'-0"   | 1 3/4" | NO    | HW-13 | D    | PRELITE | 24X36    |                        | HM     | D    | C       |            |          | NONE    | -   | CGNG |
| 202 | B    | 3'-0"X7'-0"   | 1 3/4" | NO    | HW-7  | NO   | NONE    | NONE     |                        | HM     | NO   | C       |            |          | NONE    | -   |      |
| 203 | D    | 3'-0"X7'-0"   | 1 3/4" | NO    | HW-8  | NO   | T       | FULL     |                        | HM     | NO   | C       |            |          | NONE    | -   |      |
| 204 | DM   | 3'-0"X7'-0"   | 1 3/4" | NO    | HW-9  | NO   | NONE    | NONE     |                        | HM     | NO   | C       |            |          | NONE    | -   |      |
| 205 | DM   | 3'-0"X7'-0"   | 1 3/4" | NO    | HW-10 | NO   | NONE    | NONE     |                        | HM     | NO   | C       |            |          | NONE    | -   |      |
| 206 | DM   | 3'-0"X7'-0"   | 1 3/4" | NO    | HW-11 | NO   | NONE    | NONE     |                        | HM     | NO   | C       |            |          | NONE    | -   |      |
| 207 | CI   | 3'-0"X7'-0"   | 1 3/4" | NO    | HW-11 | NO   | T       | 24X36    |                        | HM     | NO   | C       |            |          | NONE    | -   |      |
| 208 | CI   | 3'-0"X7'-0"   | 1 3/4" | NO    | HW-11 | NO   | T       | 24X36    |                        | HM     | NO   | C       |            |          | NONE    | -   |      |
| 209 | CI   | 3'-0"X7'-0"   | 1 3/4" | NO    | HW-11 | NO   | T       | 24X36    |                        | HM     | NO   | C       |            |          | NONE    | -   |      |
| 210 | DM   | 3'-0"X7'-0"   | 1 3/4" | NO    | HW-11 | NO   | NONE    | NONE     |                        | HM     | NO   | C       |            |          | NONE    | -   |      |
| 211 | DM   | 3'-0"X7'-0"   | 1 3/4" | NO    | HW-12 | D    | NONE    | NONE     | OFFSET RABBIT          | HM     | D    | F       |            |          | NONE    | -   |      |
| 212 | F    | 3'-0"X7'-0"   | 1 3/4" | R-10  | HW-1  | D    | T-INSUL | 4X25     |                        | HM     | D    | D       |            |          | ALUM    | -   |      |
| 213 | DM   | 3'-0"X7'-0"   | 1 3/4" | NO    | HW-7  | NO   | NONE    | NONE     |                        | HM     | D    | C       |            |          | NONE    | -   |      |

HARDWARE SETS NO SCALE



DOOR TYPES 3/8" = 1'-0"



FRAME TYPES 3/8" = 1'-0"

HAYSTACK ASSOCIATES ARCHITECTURE INTERIOR DESIGN

NEW ADDITION FOR ALLAGASH BREWING CO.  
50 INDUSTRIAL WAY PORTLAND, MAINE

ARCHITECTURE INTERIOR DESIGN  
P.O. BOX 6179 PALMOUTH, MAINE 04105  
TEL: (207) 871-5900 FAX: (207) 871-9308

MICHAEL F. HAYS No. 1724  
LICENSED ARCHITECT  
STATE OF MAINE

REVISIONS

SCALE AS NOTED  
DATE 7/25/2014  
DRAWN BY SAM/MPH  
JOB NO. 140560  
DRAWING NO. **A-7**