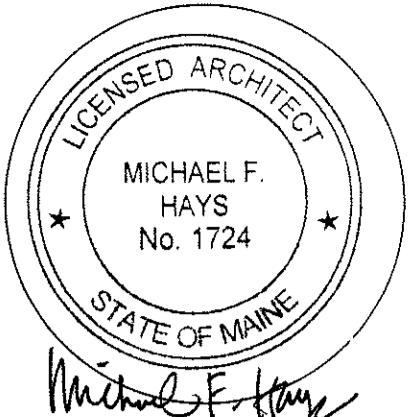




REPRODUCTION OR MISUSE OF THIS DOCUMENT WITHOUT WRITTEN PERMISSION FROM GRANT HAYS ASSOCIATES IS PROHIBITED.



REVISIONS

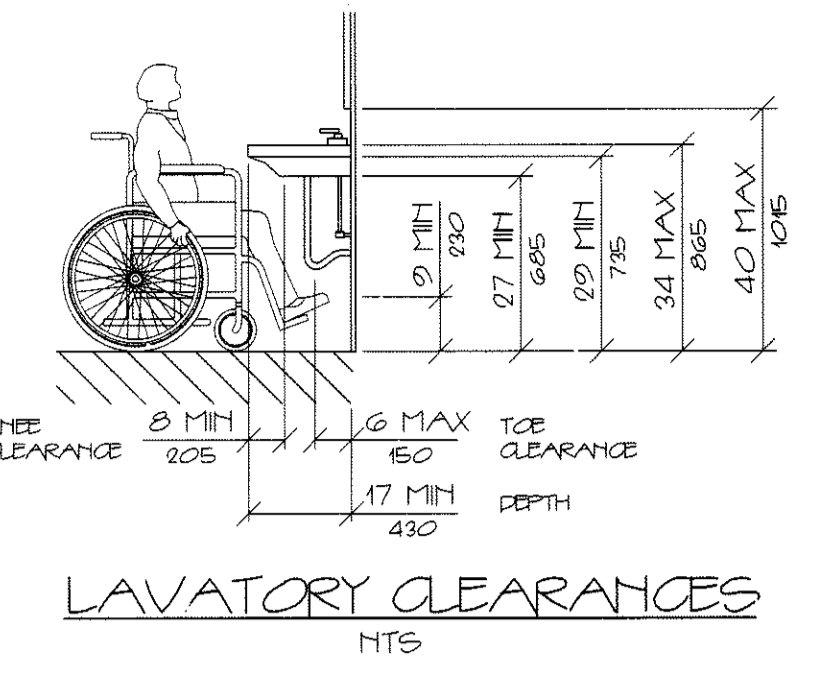
NEW ADDITION FOR ALLAGASH BREWING CO.  
50 INDUSTRIAL WAY PORTLAND, MAINE

ARCHITECTURE INTERIOR DESIGN  
P.O. BOX 6179 FALMOUTH, MAINE 04105  
(207) 871-5900 (207) 871-9308

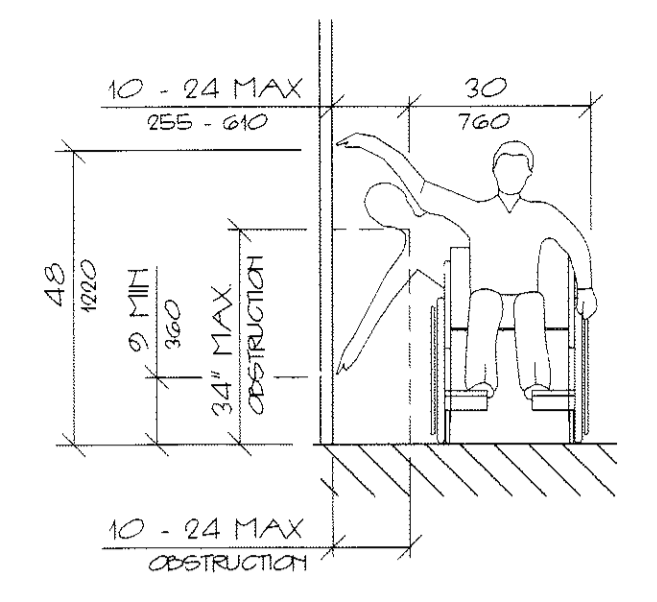
ACCESSIBILITY DETAILS AND NOTES

SCALE AS NOTED  
DATE 7/2/2014  
DRAWN BY SAM/MFH  
JOB NO. 140560  
DRAWING NO. A-12

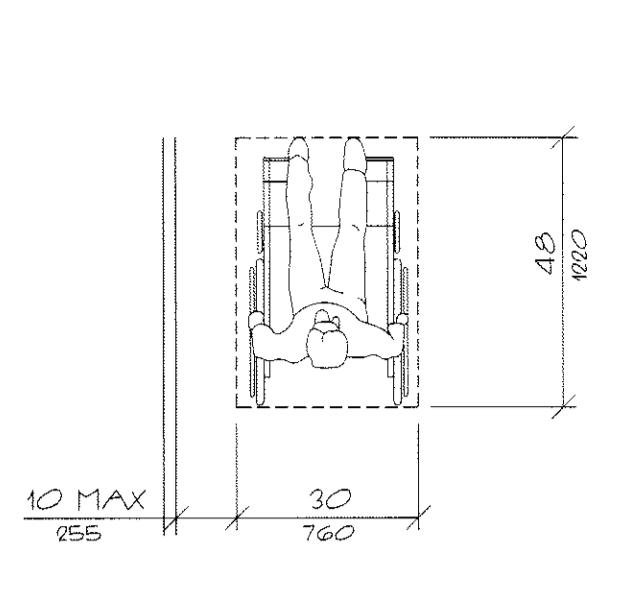
GRANT HAYS ASSOCIATES ARCHITECTS



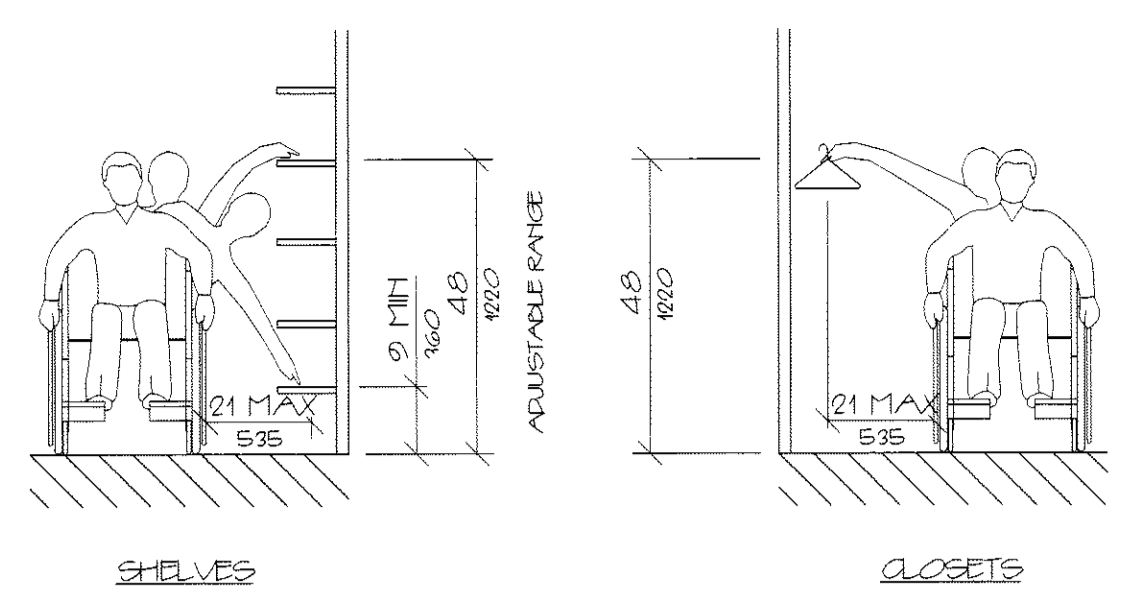
LAVATORY CLEARANCES NTS



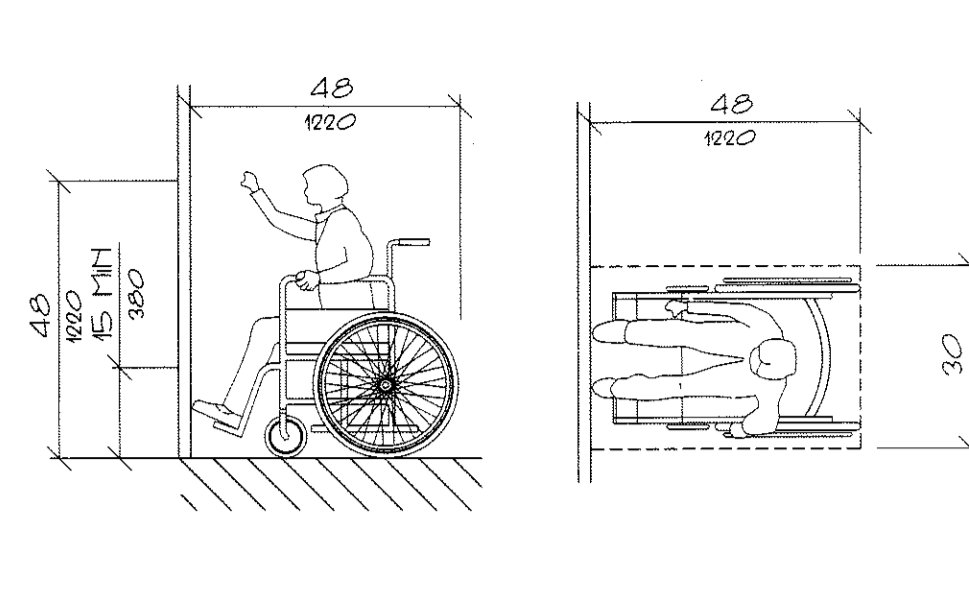
HIGH AND LOW SIDE REACH LIMITS NTS



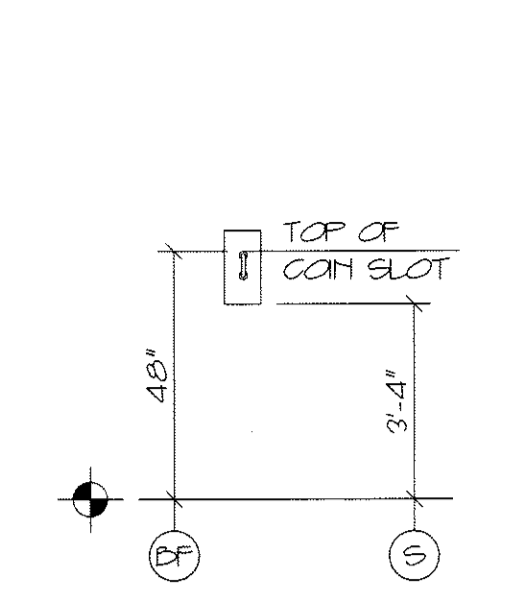
CLEAR FLOOR SPACE PARALLEL APPROACH NTS



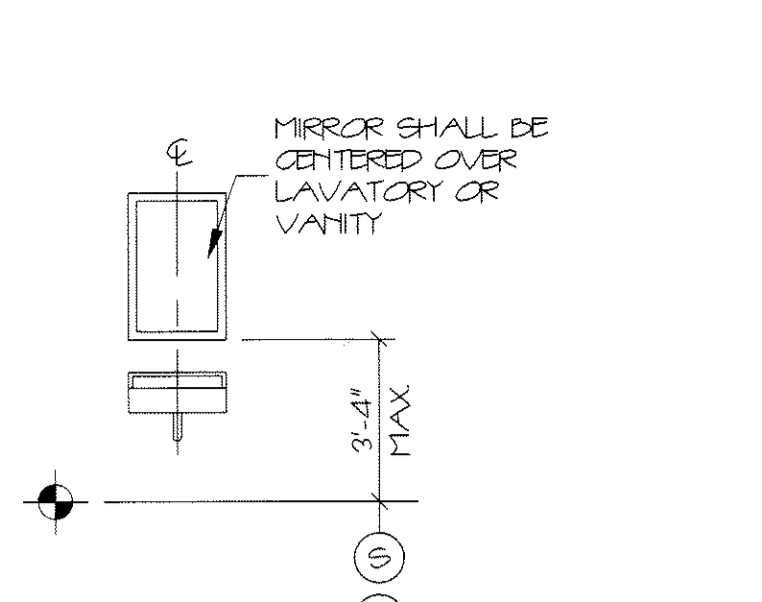
STORAGE SHELVES AND CLOSETS NTS



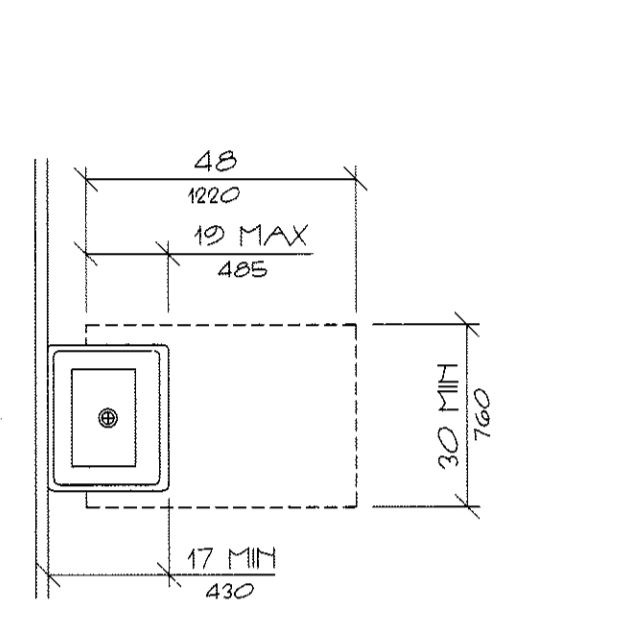
HIGH FORWARD REACH LIMIT NTS



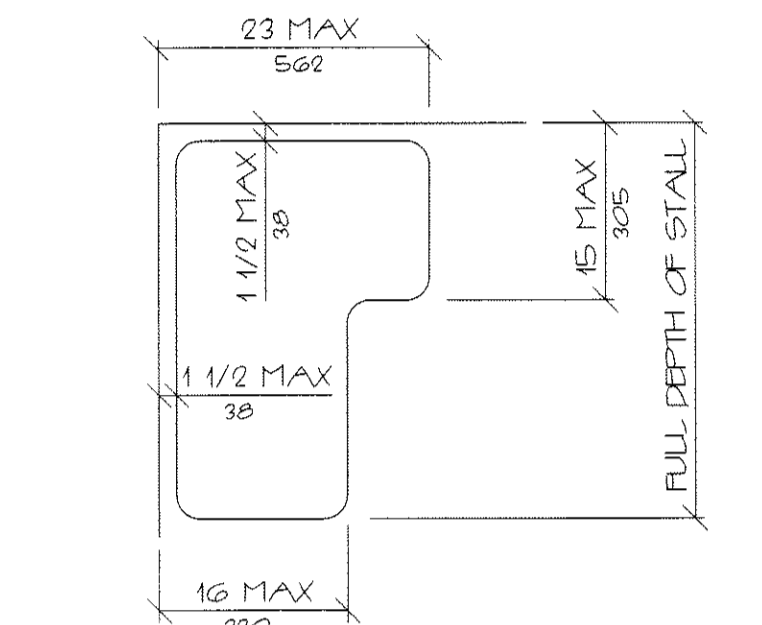
PUBLIC TELEPHONE NTS



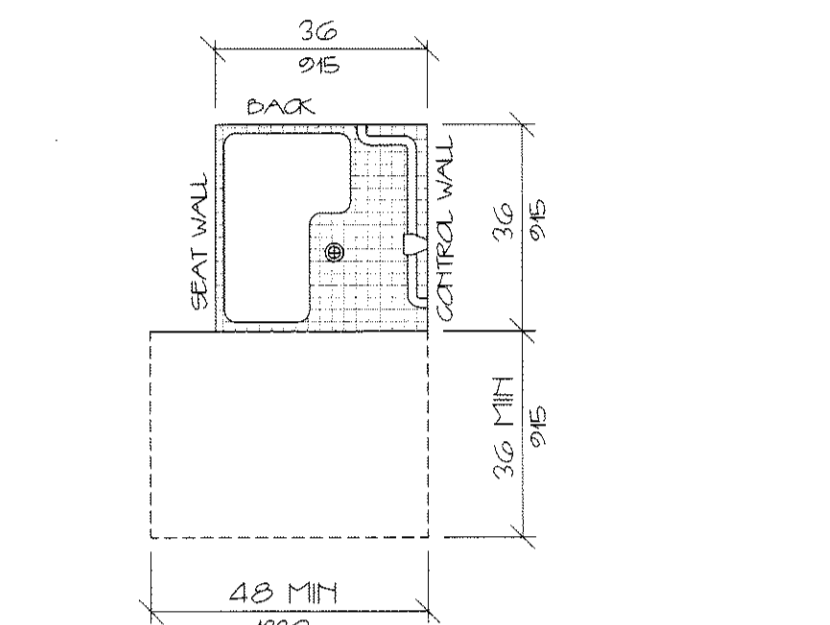
MIRROR OR MEDICINE CABINET NTS



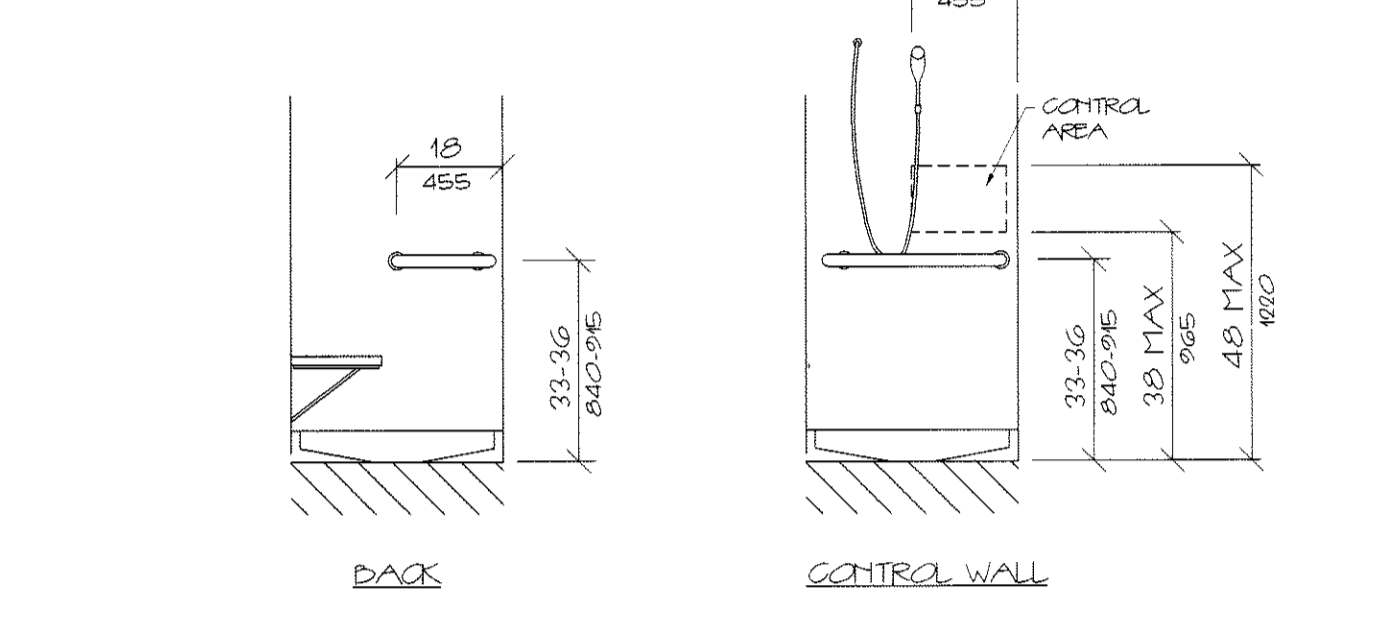
CLEAR FLOOR SPACE AT LAVATORIES NTS



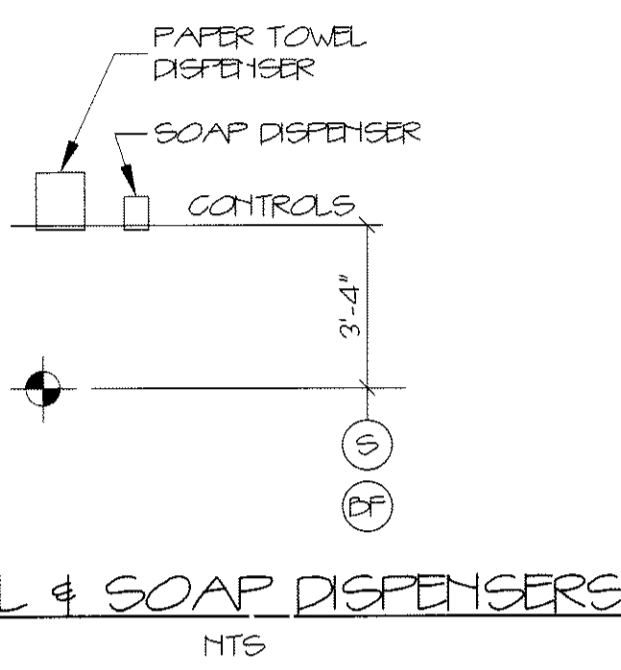
SHOWER SEAT DESIGN NTS



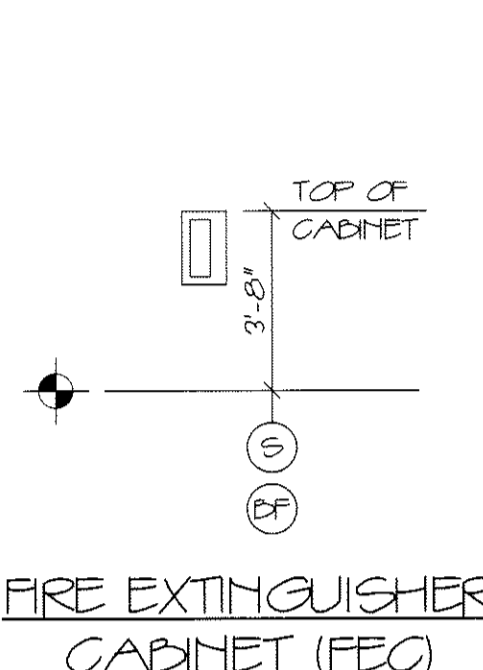
SHOWER STALL PLAN NTS



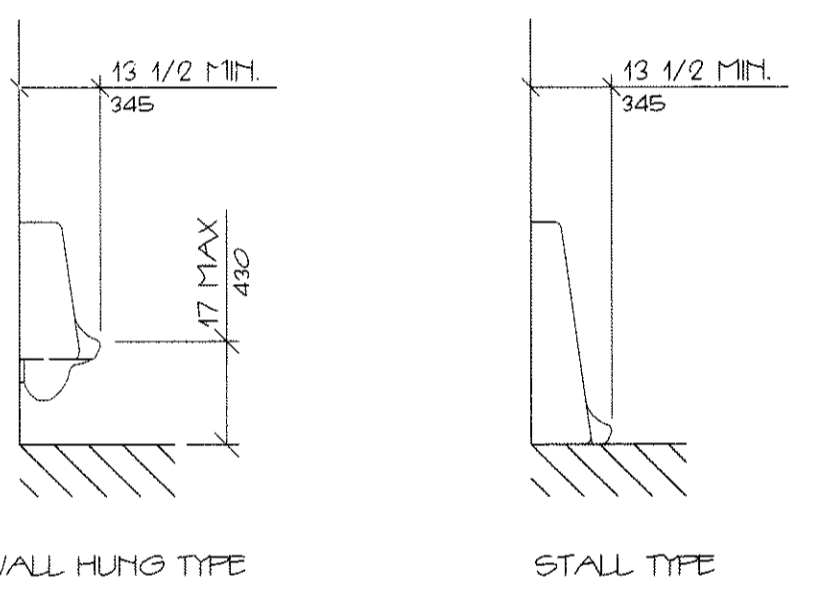
SHOWER SEAT ELEVATIONS NTS



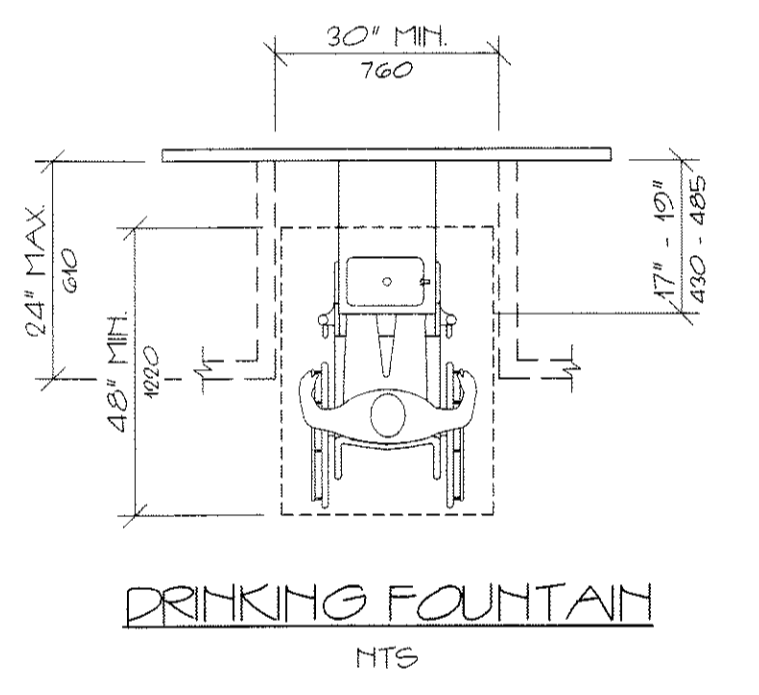
TOWEL & SOAP DISPENSERS NTS



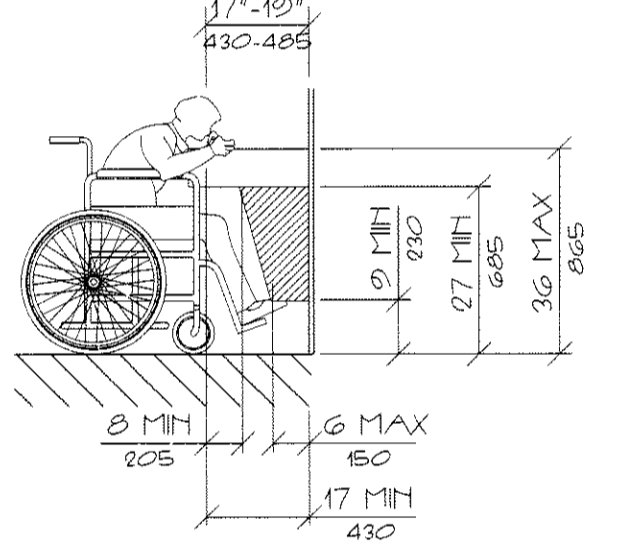
FIRE EXTINGUISHER CABINET (FEC) NTS



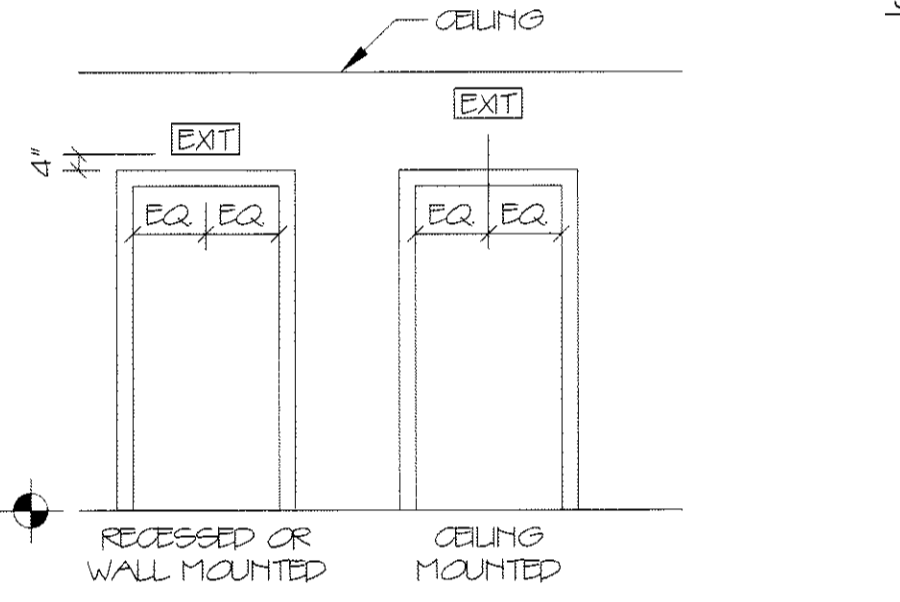
HEIGHT AND DEPTH OF URINALS NTS



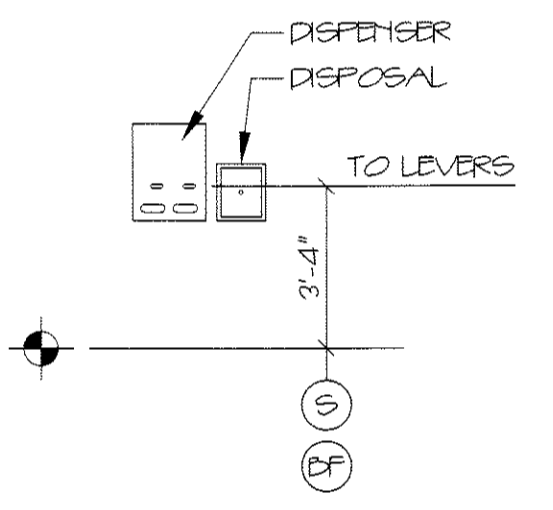
DRINKING FOUNTAIN NTS



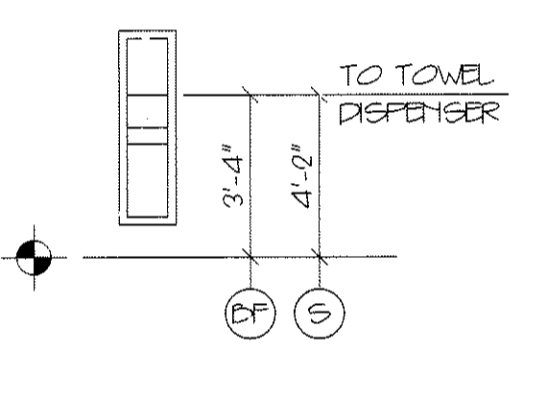
EQUIPMENT PERMITTED IN SHADED AREA DRINKING FOUNTAIN SPOUT HEIGHT AND KNEE CLEARANCE NTS



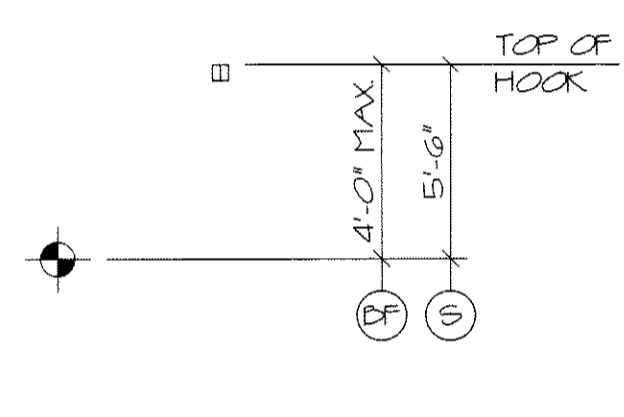
EXIT SIGNS TYPICAL UNLESS OTHERWISE NOTED NTS



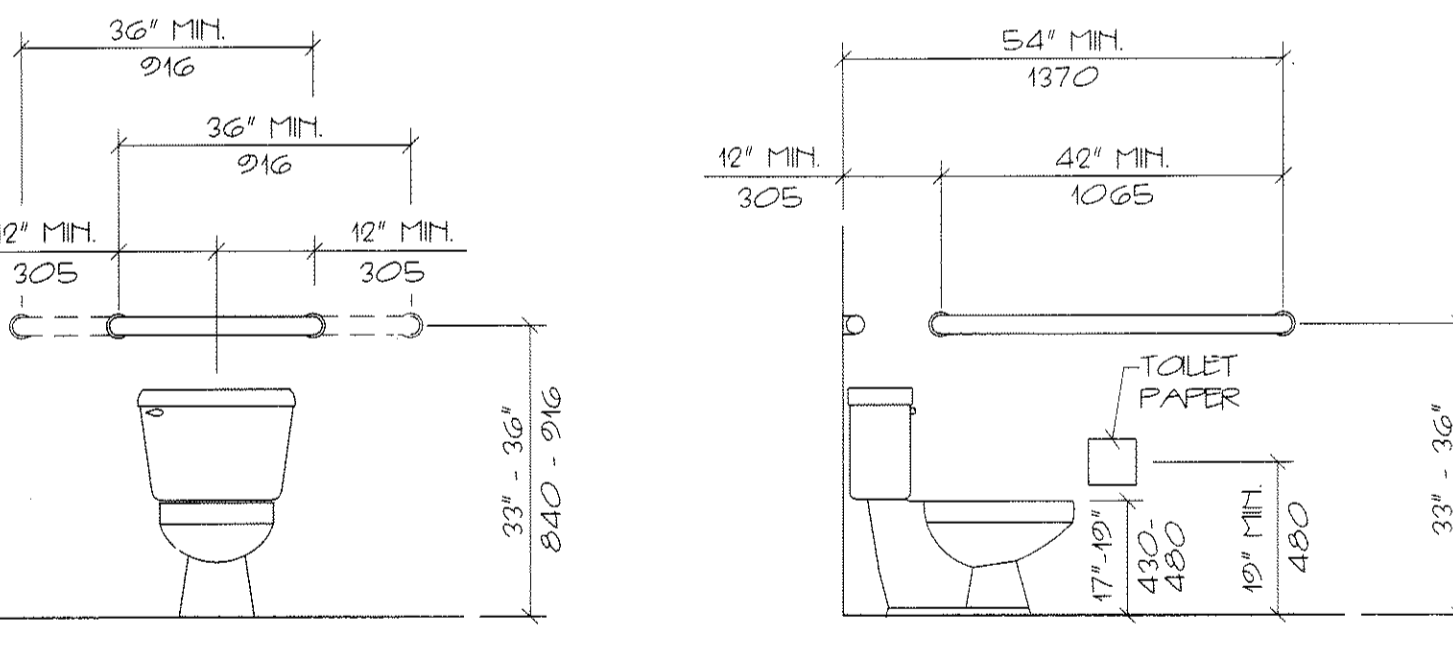
SANITARY NAPKIN DISPENSER & DISPOSAL NTS



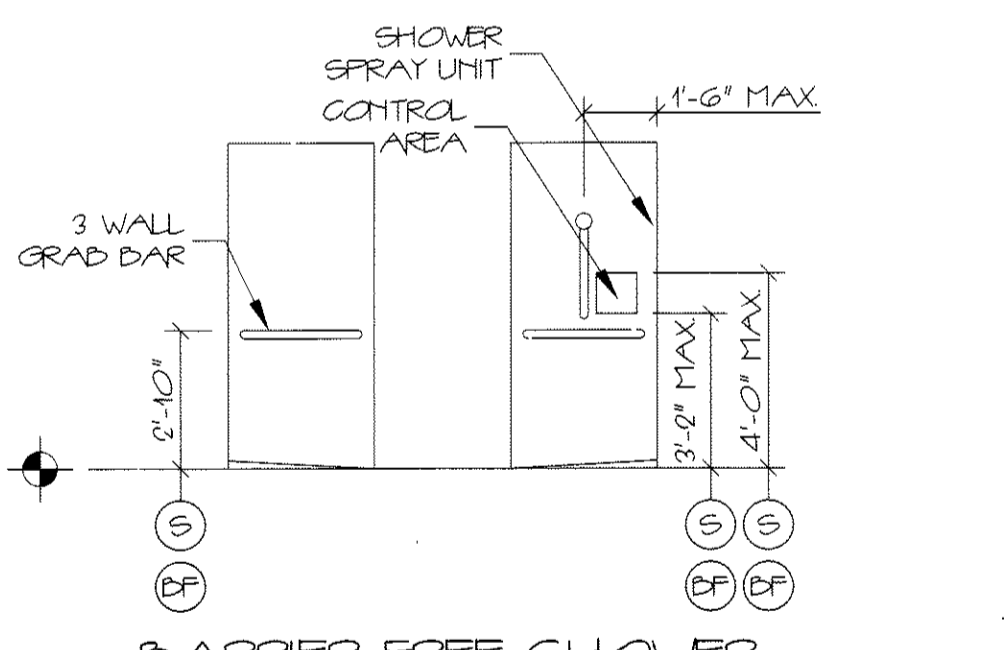
TOWEL DISPENSER DISPOSAL UNIT NTS



CLOTHES HOOK NTS



GRAB BARS AT WATER CLOSETS NTS



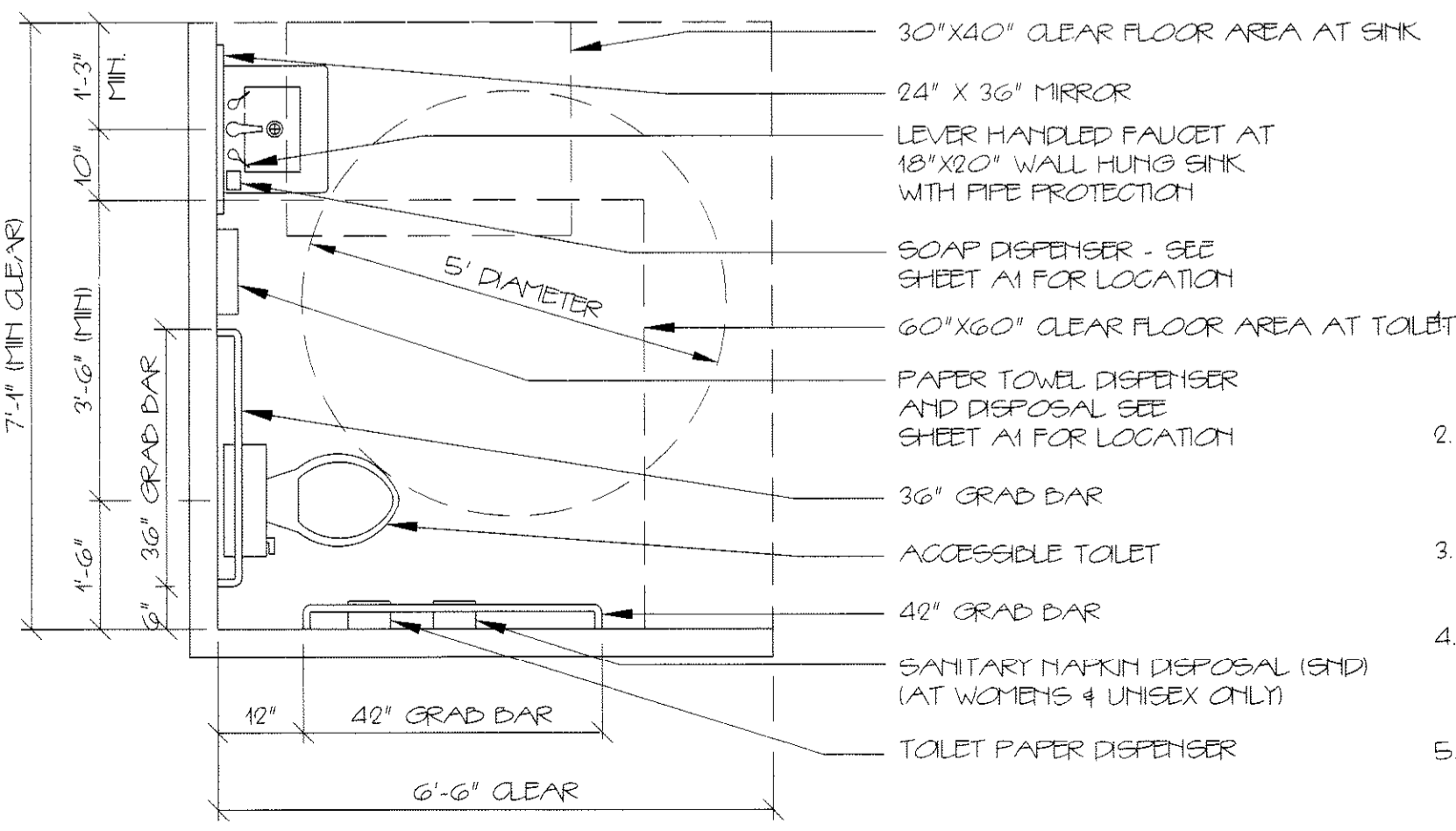
BARRIER FREE SHOWER NTS

ACCESSIBILITY ACCESSORY MOUNTING HEIGHTS

GRAB BARS	33"-36"
TOILET PAPER HOLDER	19" MIN
TOWEL DRY/PAPER TOWEL DISPENSER	48" MAX
BUILT IN PAPER TOWEL DISPENSER	48" MAX
SOAP DISH/DISPENSER AT WALL	48" MAX
SANITARY NAPKIN DISPENSER	48" MAX
SANITARY NAPKIN DISPOSAL	19" MAX
MIRROR (BOTTOM)	40" MAX
SHELVES/STORAGE	48" MAX
ELECTRICAL SWITCHES/OUTLETS	48" MAX
COAT HOOKS/RODS	48" MAX
SIGNAGE (TO BRILLE COMPONENT)	60" MAX

ACCESSIBILITY GENERAL NOTES

- DOORWAYS SHALL HAVE A MINIMUM CLEAR WIDTH OF 32" WITH THE DOOR OPEN 90 DEGREES MEASURED BETWEEN THE FACE OF THE DOOR AND THE OPPOSITE STOP.
- ALL DOORS SHALL HAVE LEVER HANDLE HARDWARE, EXCEPT AT SECURED STORAGE ROOMS, MECHANICAL ROOMS, AND ELEVATOR MACHINE ROOMS.
- ALL CLOSERS SHALL BE SLD FULL MAXIMUM AT DOORS EQUIPPED WITH LEVER HANDLE HARDWARE.
- ALL DOORS WITH CLOSERS SHALL HAVE 18" CLEAR DISTANCE FROM THE LATCHSIDE OF THE OPENING TO ANY ADJACENT WALL OR OBSTRUCTION ON THE PULL SIDE OF THE OPENING.
- ALL DOORS WITH CLOSERS SHALL HAVE 12" CLEAR DISTANCE FROM THE LATCHSIDE OF THE OPENING TO ANY ADJACENT WALL OR OBSTRUCTION ON THE PUSH SIDE OF THE OPENING.
- ALL SIGNAGE SHALL BE MOUNTED 60" AFF TO BRILLE COMPONENT AT LATCH-SIDE WALL OF DOORS AND OPENINGS.



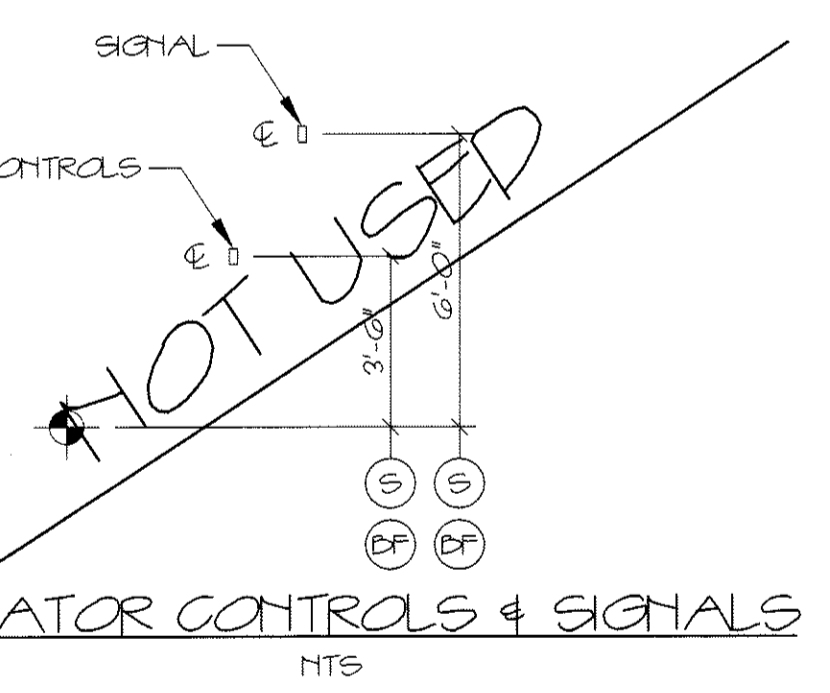
TYPICAL ACCESSORIES NTS

LEGEND

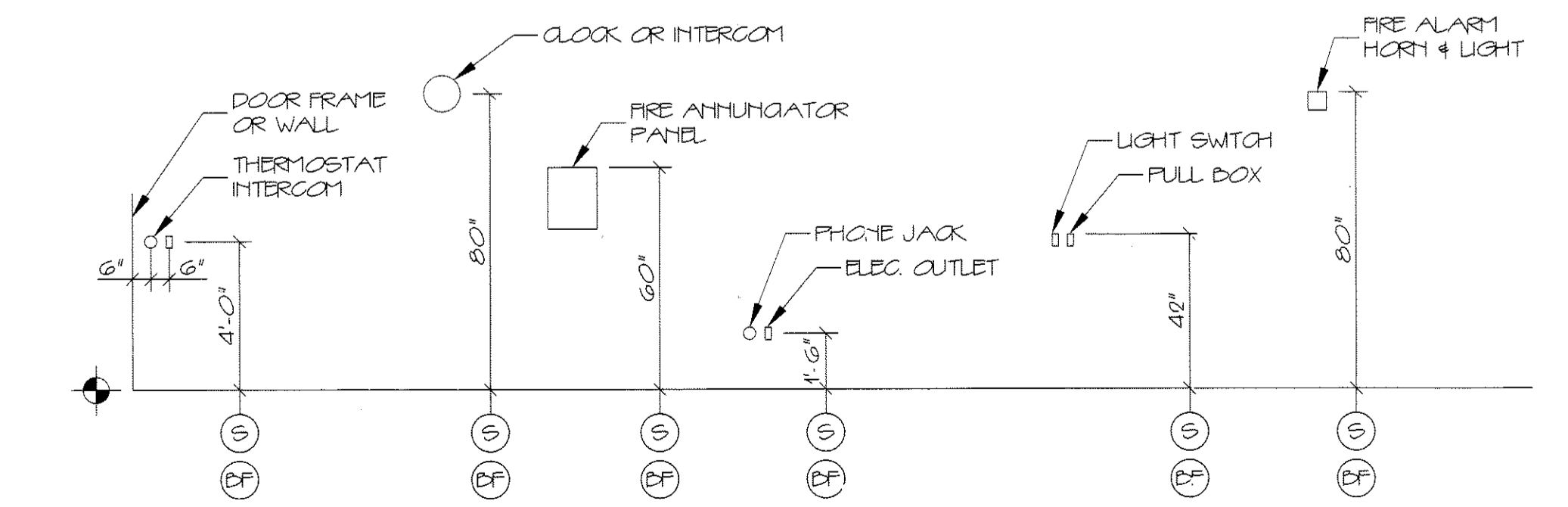
- (S) STANDARD MOUNTING HEIGHT
- (A) BARRIER FREE ADULT MOUNTING HEIGHT
- (F) FINISH FLOOR LINE

NOTE

MOUNT ALL FIXTURES AT STANDARD MOUNTING HEIGHT UNLESS INDICATED ON PLAN BY A (S) SYMBOL. A (A) SYMBOL AT ANY ROOM SHALL INCLUDE ONE OF ANY FIXTURE AND ACCESSORY WITHIN THE ROOM.



ELEVATOR CONTROLS & SIGNALS NTS



ELECTRICAL & FIRE PROTECTION DEVICES TYPICAL UNLESS NOTED OTHERWISE NTS

Date: 09/15/14

Reviewed for Code Compliance Inspection/Check Approved with Conditions