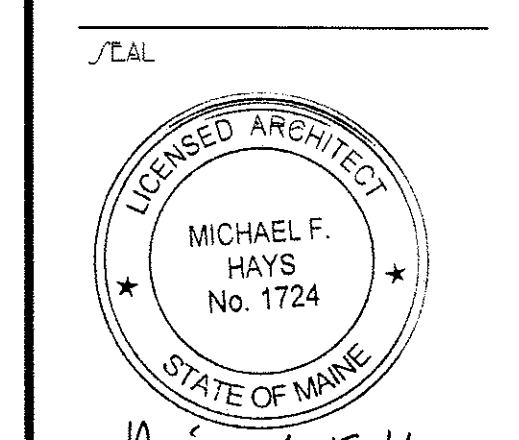


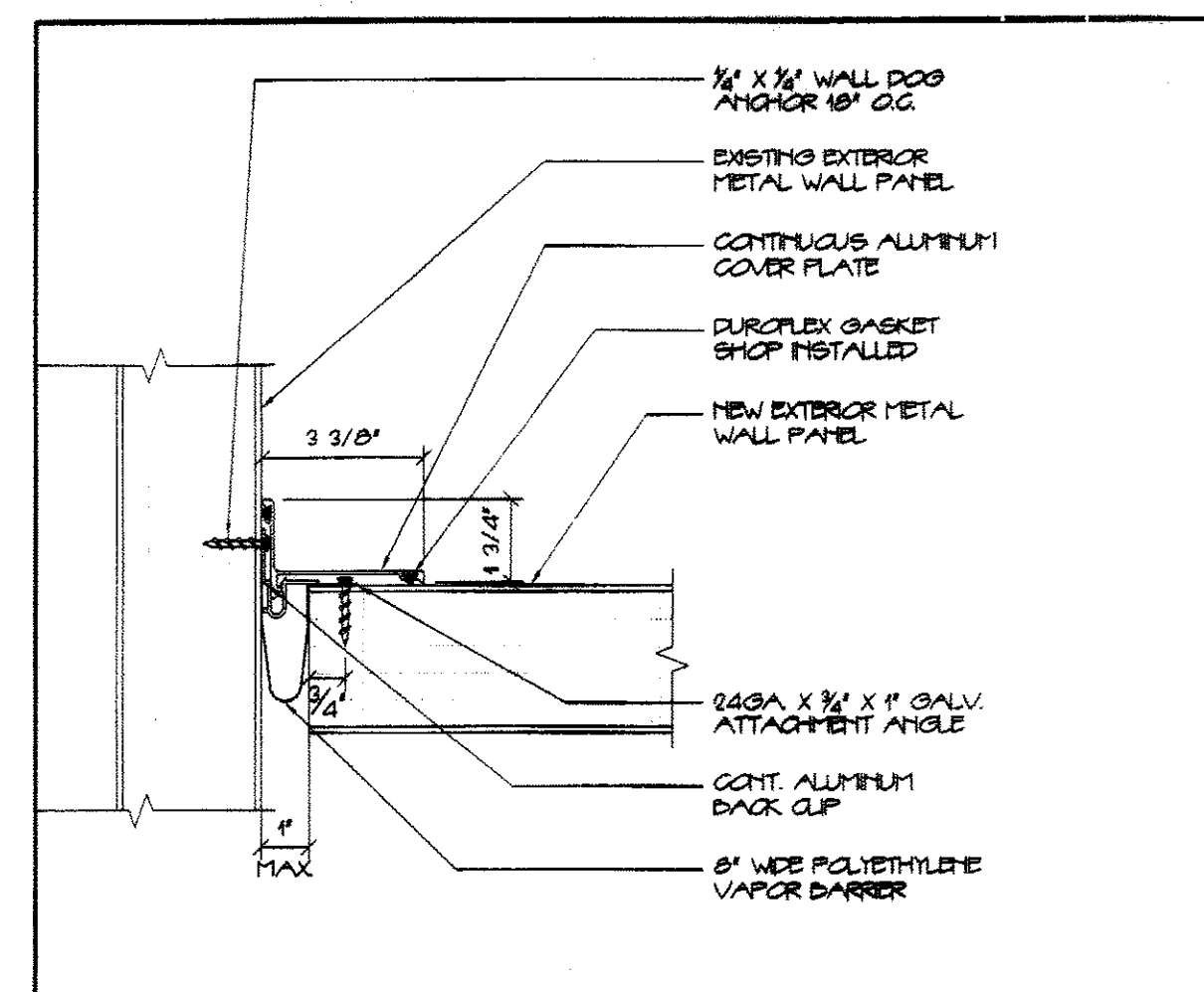


GRANT HAYS
ASSOCIATES

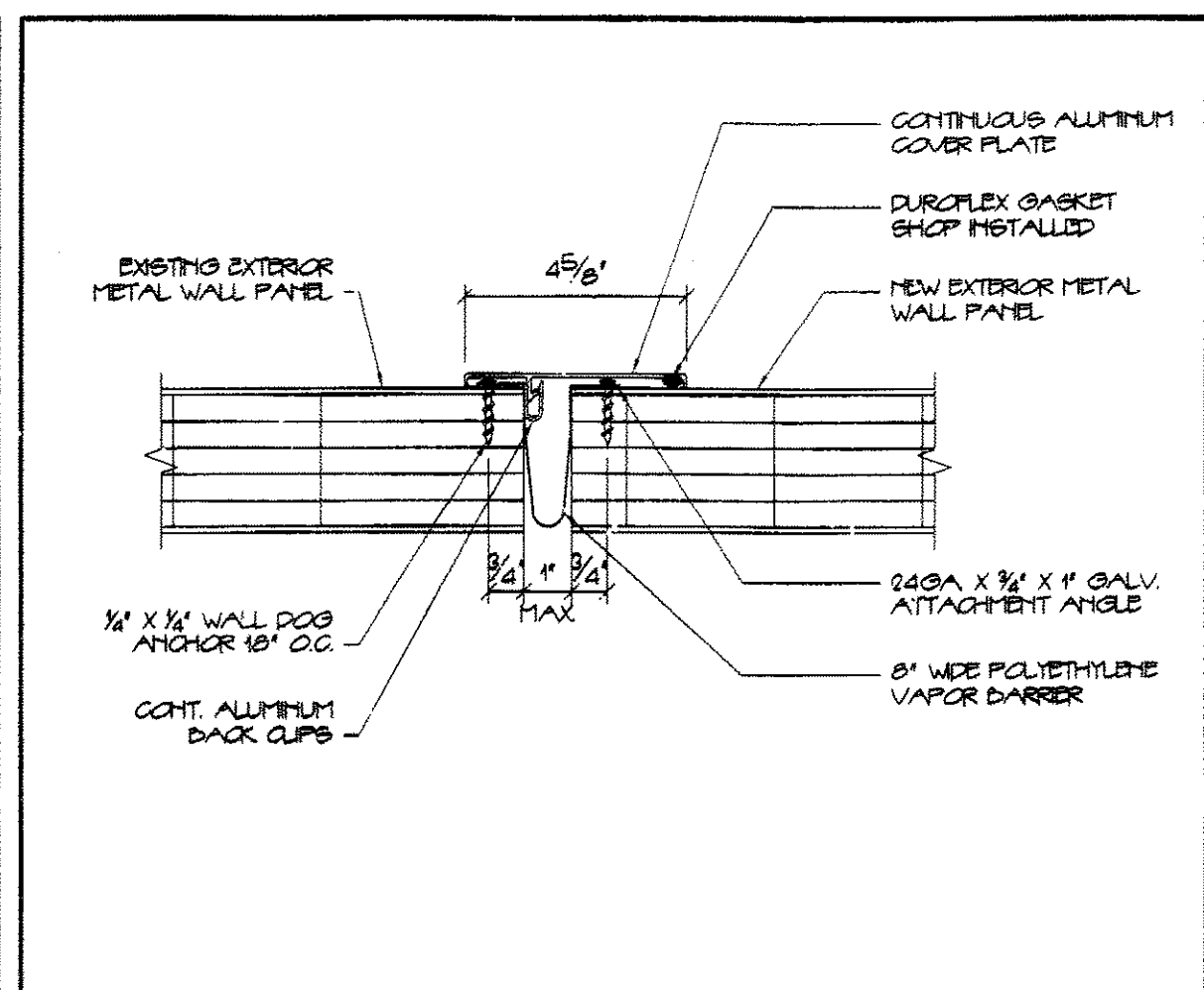
ARCHITECTURE & INTERIOR DESIGN
P.O. BOX 6179 PALMOUTH MAINE 04105
207.871.5900 www.granthays.com



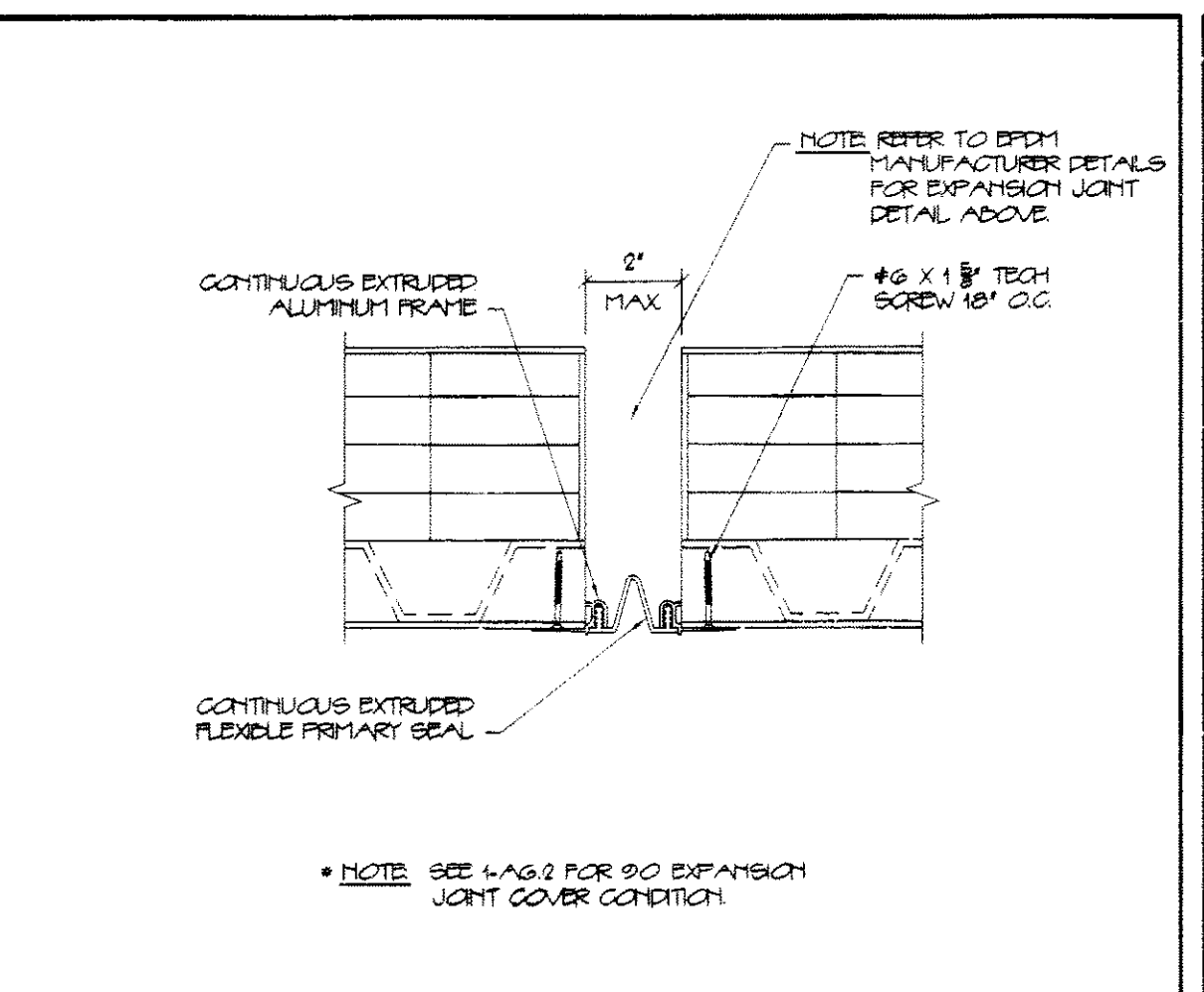
Michael F. Hays
REVISION



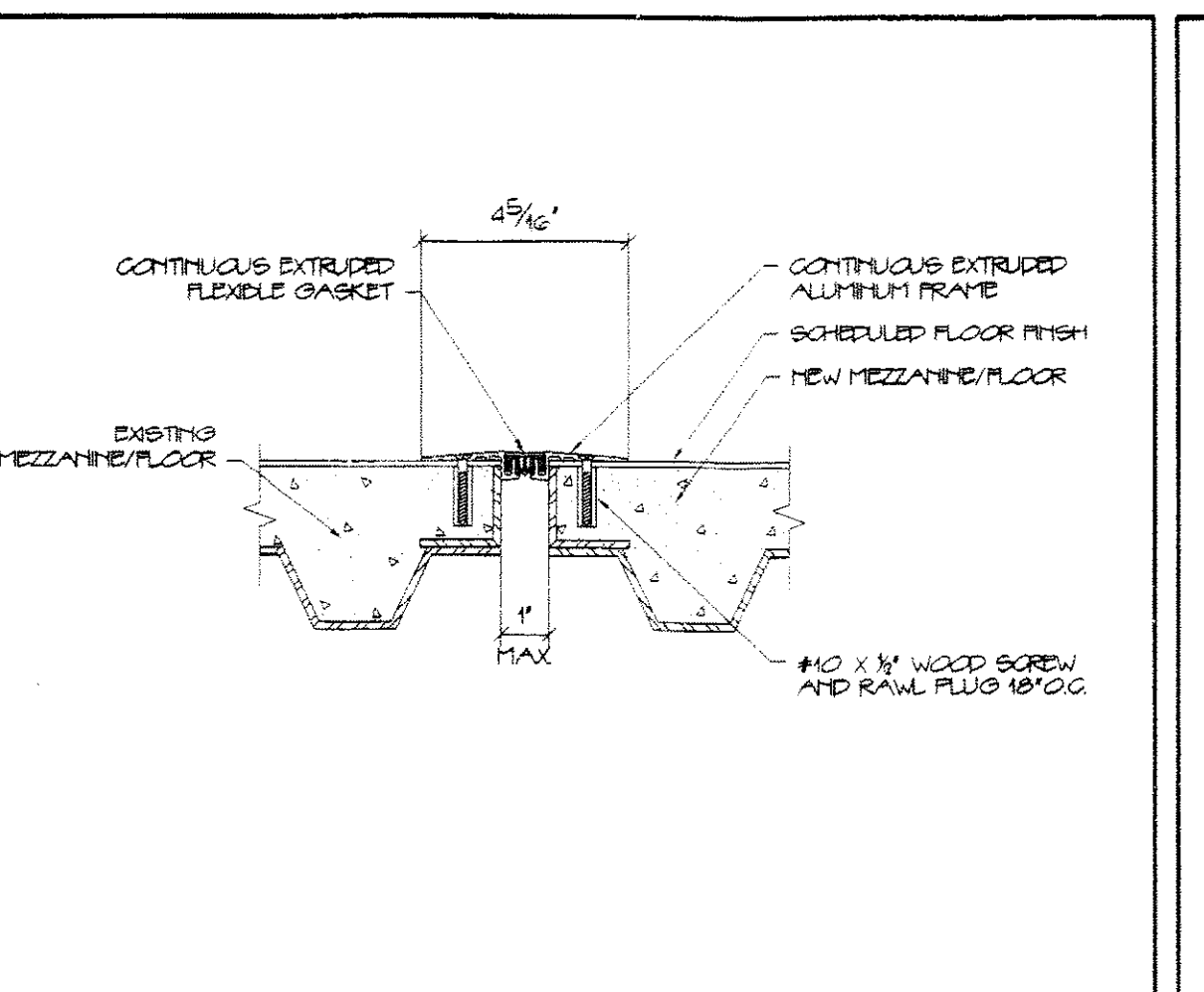
1 EXPANSION JOINT COVER @ CORNER N.T.S.



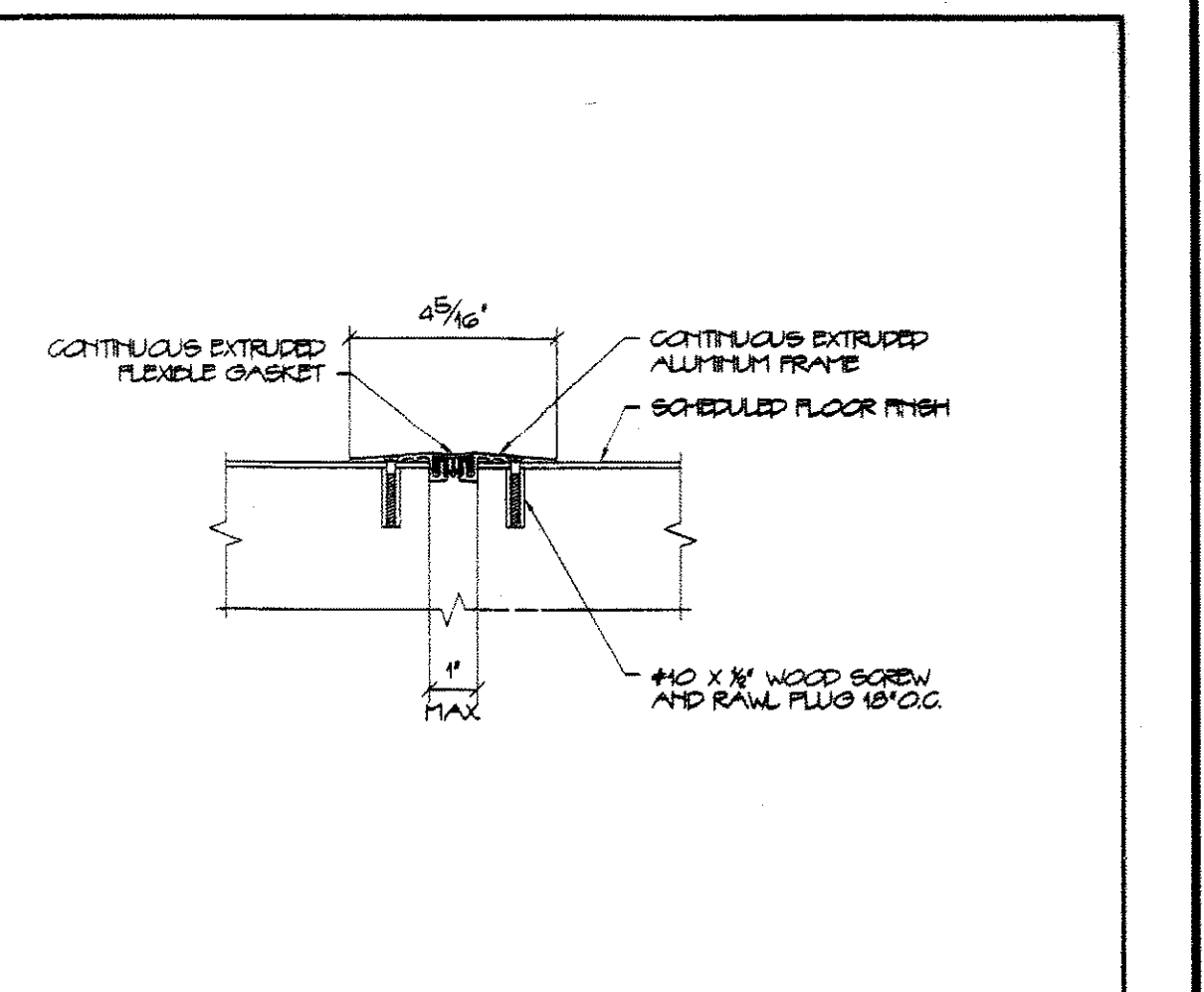
2 EXPANSION JOINT COVER AT PANEL WALLS N.T.S.



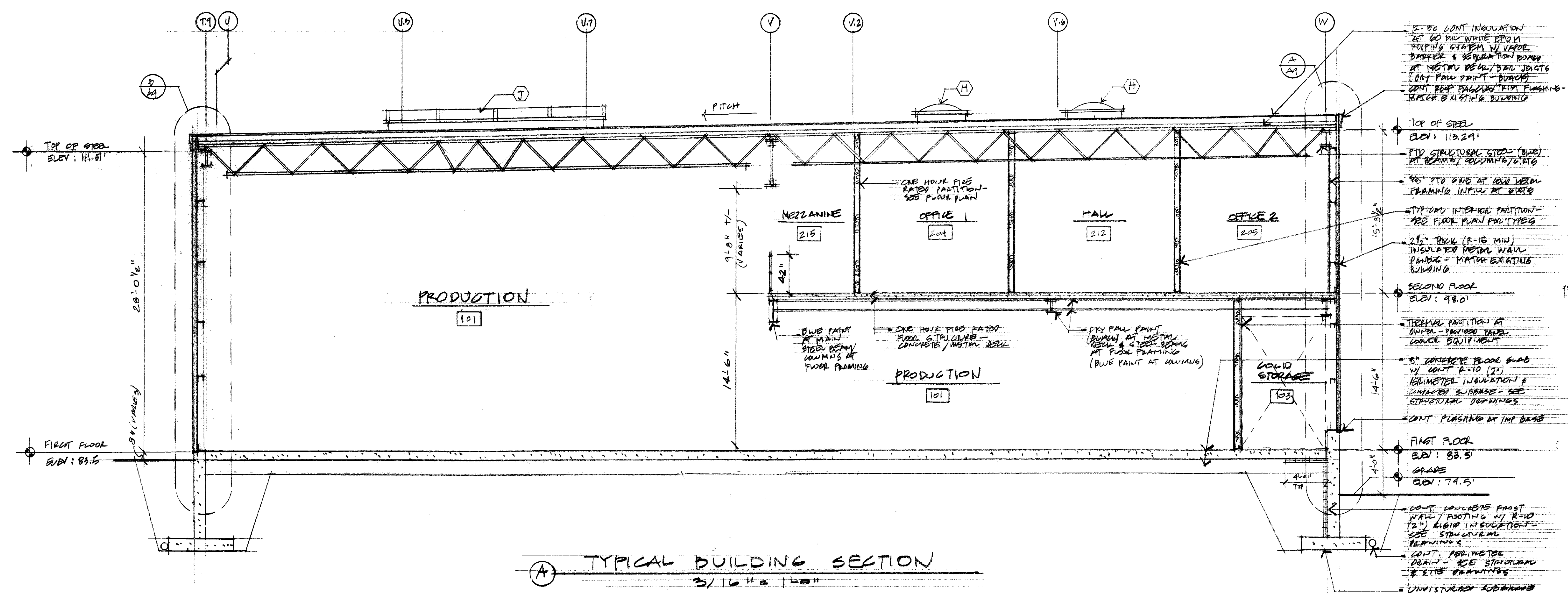
3 INTERIOR CEILING/WALL EXPANSION JOINT OVER N.T.S.



4 FLOOR EXPANSION JOINT COVER N.T.S.



5 FLOOR EXPANSION JOINT COVER N.T.S.



A TYPICAL BUILDING SECTION
3/16" = 1'-0"

- 1-2 JOINT INSULATION - LET GO AND WIND FROM DRIPPING SYSTEM IN VAPOR BARRIER & SEPARATION POINTS AT METAL BEAM/BEAM JOINTS (USE PAINT PRIMER - BACK) CONT. ROOF FLASHING/TIM FLASHING - MATCH EXISTING BUILDING
- TOP OF STEEL ELEV: 113.291
- R10 STRUCTURAL STEEL (BLUE) AT BEAM/COLUMN JOINTS
- 3/8" PTD GND AT NEW WELDED FRAMING INFLU AT STEEL
- STYPICUM INTERIOR PARTITION - SEE FLOOR PLAN POLYTYPE
- 2 1/2" THICK (R-15 MID) INSULATED METAL WALL PANELING - MATCH EXISTING BUILDING
- SECOND FLOOR ELEV: 98.0
- THERMAL PARTITION AT GROUND - PROVIDE PANEL LOOSE EQUIPMENT
- 6" CONCRETE FLOOR SLAB W/ CONT. R-10 (2") PERIMETER INSULATION & UNFACED SUBBASE - SEE STRUCTURAL DRAWINGS
- CONT. FLASHING AT IMP BASE
- FIRST FLOOR ELEV: 88.5
- GRADE ELEV: 74.5
- CONT. CONCRETE FOOTING W/ R-10 (2") LIGHT INSULATION - SEE STRUCTURAL DRAWINGS
- CONT. PERIMETER DRAIN - SEE STRUCTURAL & SITE DRAWINGS
- UNINSULATED SUBBASE

DRAWING NAME

NEW ADDITION FOR
ALLAGASH BREWING CO.
50 INDUSTRIAL WAY PORTLAND, MAINE

SHEET

BUILDING SECTION

DATE 25 JULY 2014
SCALE 3/16" = 1'-0"
DRAWN MPH
JOB NO. 140560
SHEET

A8
COPYRIGHT REPRODUCTION OR REVISE OF THIS DOCUMENT WITHOUT WRITTEN PERMISSION FROM GRANT HAYS ASSOCIATES IS PROHIBITED.