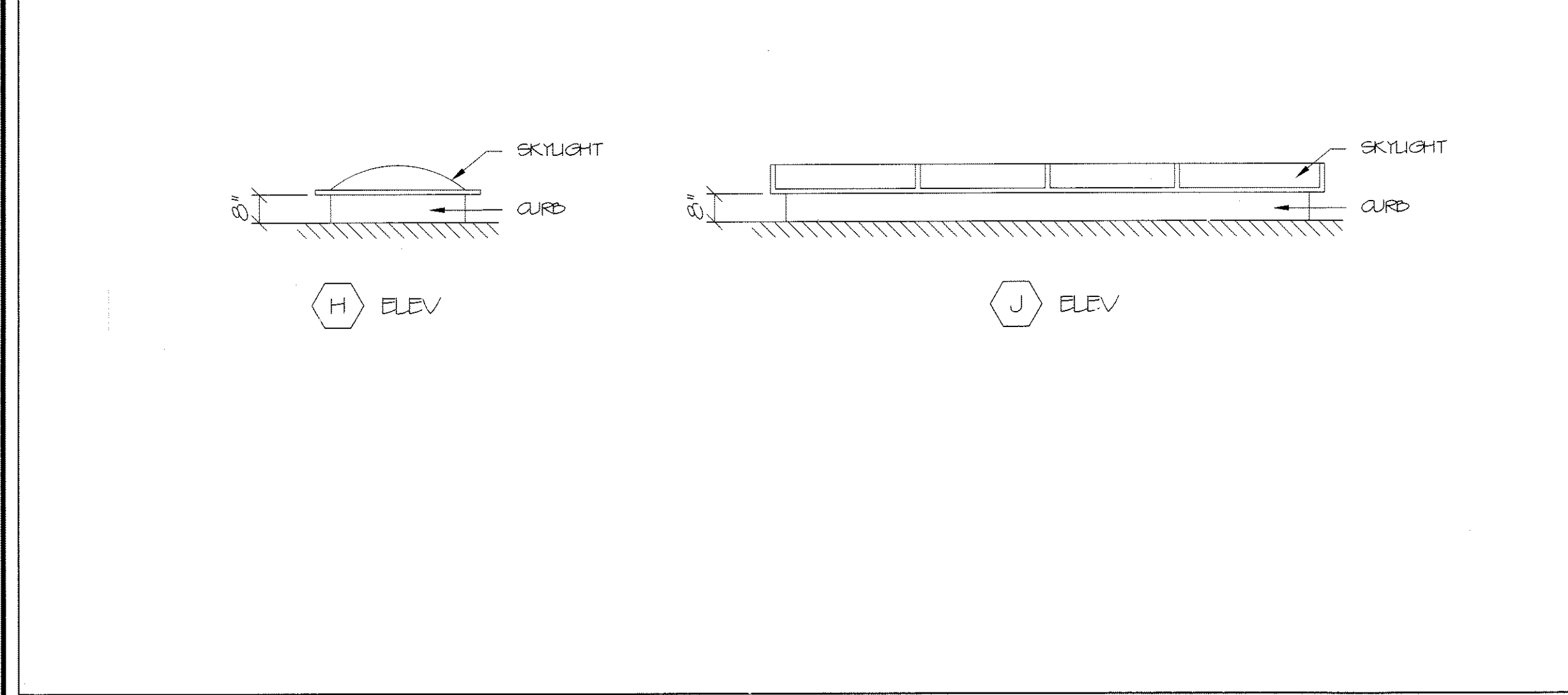
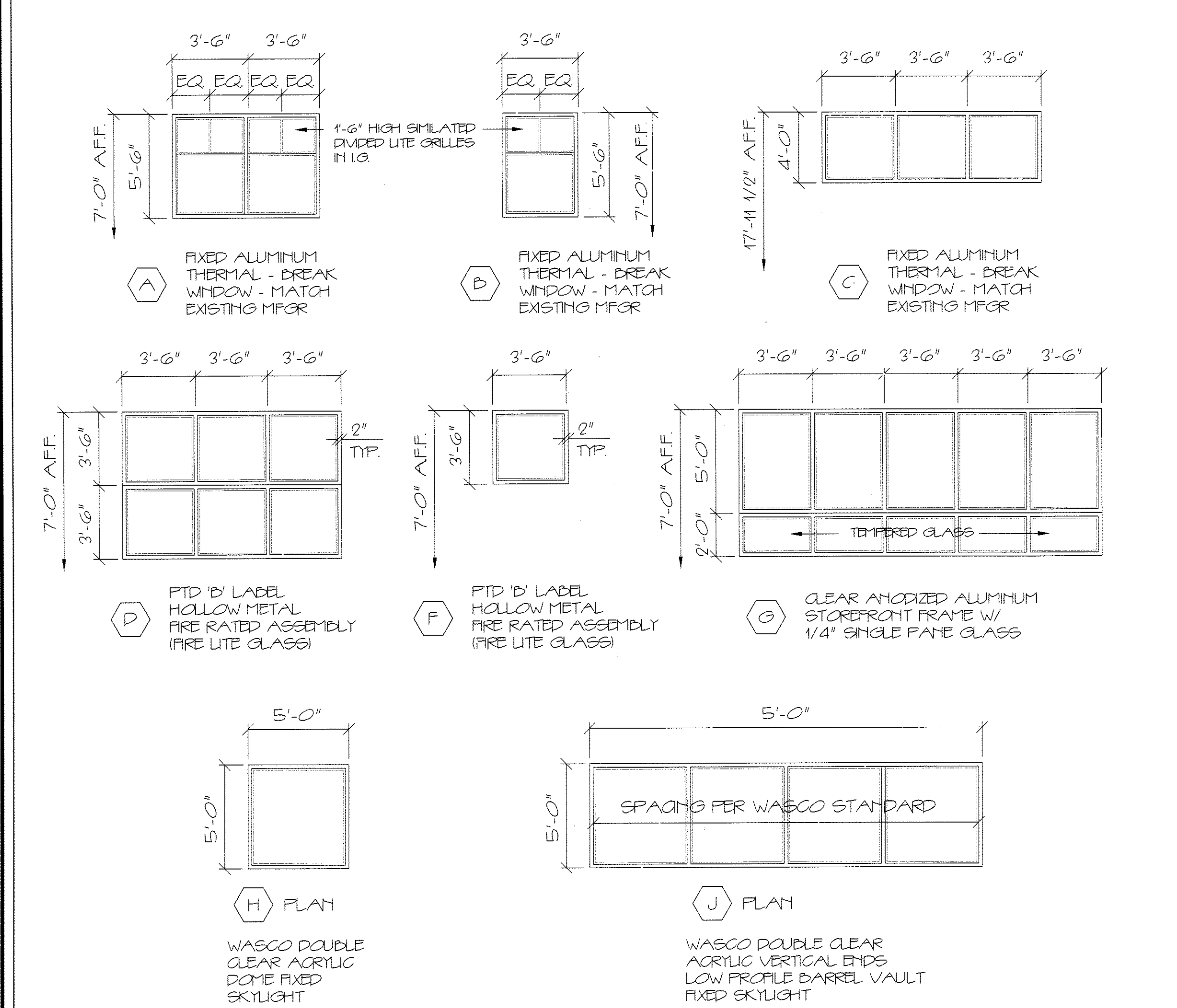


WINDOW SCHEDULE

NO.	TYPE	MANUFACTURER		NOMINAL SIZE		DETAILS				REMARKS	
		MATERIAL	MODEL	WIDTH	HEIGHT	HEAD	JAMB	SILL	MUNT		MULL
A	FIXED	TUBELITE	14000 VQ SERIES	7'-0"	5'-6"						MATCH BREWHOUSE ADDITION MFGR
D	FIXED			3'-6"	5'-6"						MATCH BREWHOUSE ADDITION MFGR
C	FIXED			10'-6"	4'-0"						MATCH BREWHOUSE ADDITION MFGR
D	FIXED	HOLLOW METAL	'B' LABEL	10'-6"	7'-0"						FIRE RATED ASSEMBLY
F	FIXED	HOLLOW METAL	'B' LABEL	3'-6"	3'-6"						FIRE RATED ASSEMBLY
G	FIXED	TUBELITE	4500 SERIES	15'-0"	7'-0"						
H	FIXED	WASCO	058060	5'-0"	5'-0"						DOUBLE DOME
J	FIXED	WASCO	DDTW	5'-0"	20'-0"						* LENGTH/LOW PROFILE BARREL VAULTS
E/R	EXISTING FIXED	TED (ALUM)	TED	6'-0"	16'-0"						(2) SECTIONS

ABBREVIATIONS

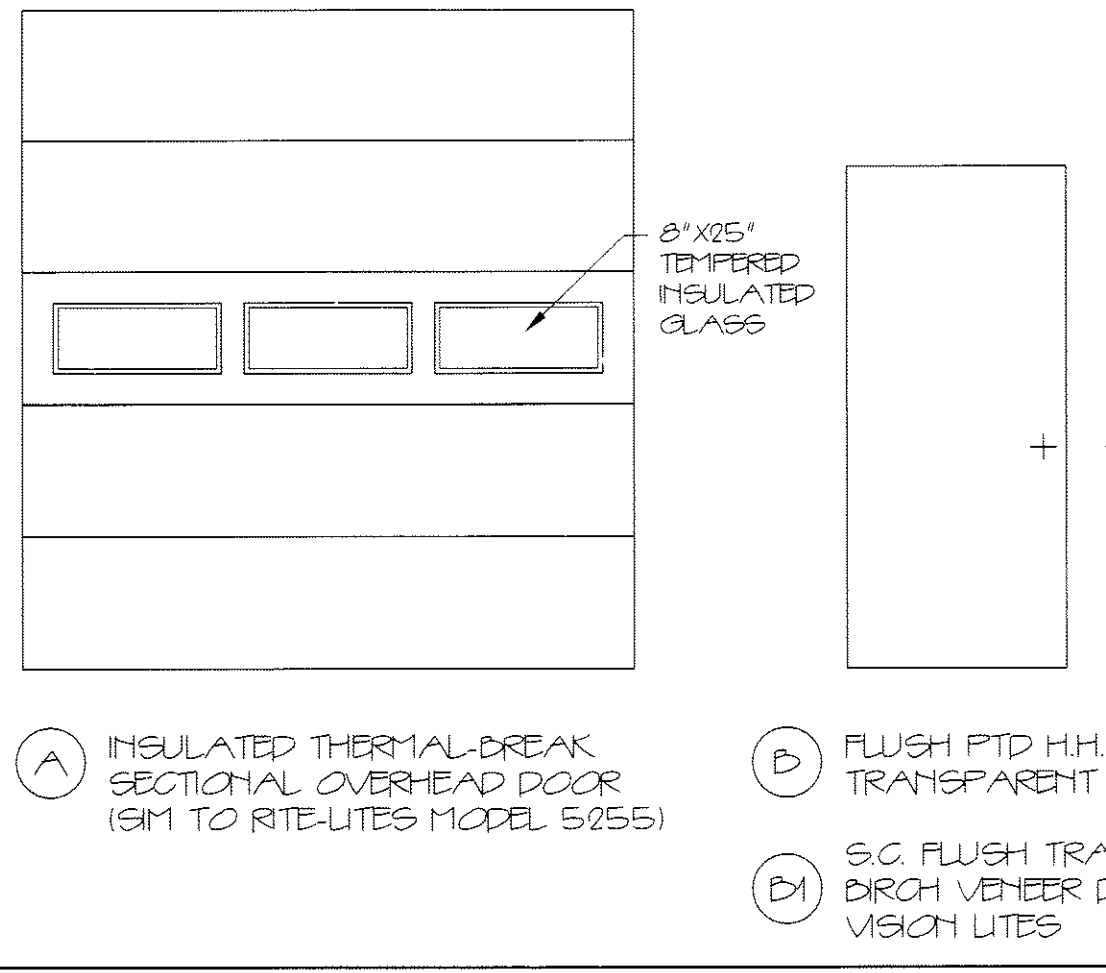
AL	ALUMINUM	T	TEMPERED
E	EXISTING	TH	THERMAL INSULATED
EMHO	ELECTRO MAGNETIC HOLD OPERATOR	V	VENEER
GL	GLASS	W	WIRE
H	HOLLOW METAL	WP	WOOD
ISL	INSULATED	W/	WITH
SS	STAINLESS STEEL		



WINDOW TYPES 1/4" = 1'-0"

- HW-1
 3 BUTTS
 1 EXIT DEVICE W/ LEVER
 1 CLOSER - PARALLEL ARM
 1 DOOR BOTTOM
 1 HEAD/JAMB WEATHERSTRIPPING SET
 1 THRESHOLD
 1 KICKPLATE
- HW-2
 3 BUTTS
 1 LEVER LATCHSET - PASSAGE FUNCTION
 1 CLOSER - PARALLEL ARM
 1 DOOR BOTTOM
 1 HEAD/JAMB WEATHERSTRIPPING
 1 THRESHOLD
 1 KICKPLATE
- HW-3
 PROVIDED & INSTALLED BY OWNER
 1 SLIDING DOOR OVERHEAD TRACK W/STOPS - BARY STYLE
 2 PULLEY ROLLERS WITH DOOR BRACKETS
 2 DOOR PULLS
- HW-4
 3 BUTTS
 1 LEVER LOCKSET - STORE ROOM FUNCTION
 1 CLOSER - PARALLEL ARM
 1 KICKPLATE
 FRAME SILENCERS
- HW-5
 3 BUTTS
 1 LEVER LATCHSET - PASSAGE FUNCTION
 1 CLOSER - PARALLEL ARM
 1 KICKPLATE
 FRAME SILENCERS
- HW-6
 6 BUTTS
 2 EXIT DEVICES WITH LEVERS
 2 CLOSERS - PARALLEL ARM
 2 KICKPLATE
 FRAME SILENCERS
- HW-7
 3 BUTTS
 1 LEVER LATCHSET - PASSAGE FUNCTION
 1 CLOSER - PARALLEL ARM
 1 DOOR STOP
 FRAME SILENCERS
- HW-8
 3 BUTTS
 1 LEVER LATCHSET - PASSAGE FUNCTION
 1 CLOSER - PARALLEL ARM
 1 KICKPLATE
 DOOR STOP
 FRAME SILENCERS
- HW-9
 3 BUTTS
 1 LEVER LOCKSET - OFFICE FUNCTION
 1 DOOR STOP
 FRAME SILENCERS
- HW-10
 3 BUTTS
 1 LEVER LOCKSET - STORE ROOM FUNCTION
 1 DOOR STOP
 FRAME SILENCERS
- HW-11
 3 BUTTS
 1 LEVER LATCHSET - PASSAGE FUNCTION
 1 DOOR STOP
 FRAME SILENCERS
- HW-12
 6 BUTTS
 2 CLOSERS - PARALLEL ARMS
 1 EXIT DEVICE WITH LEVER (EGRESS LEAF)
 1 LEVER LOCKSET - OFFICE FUNCTION (NON-EGRESS LEAF)
 2 DOOR STOPS
 FRAME SILENCERS
- HW-13
 3 BUTTS
 1 EXIT DEVICE WITH LEVER
 1 CLOSER - PARALLEL ARM
 1 KICKPLATE
 DOOR STOP
 FRAME SILENCERS

HARDWARE SETS NO SCALE



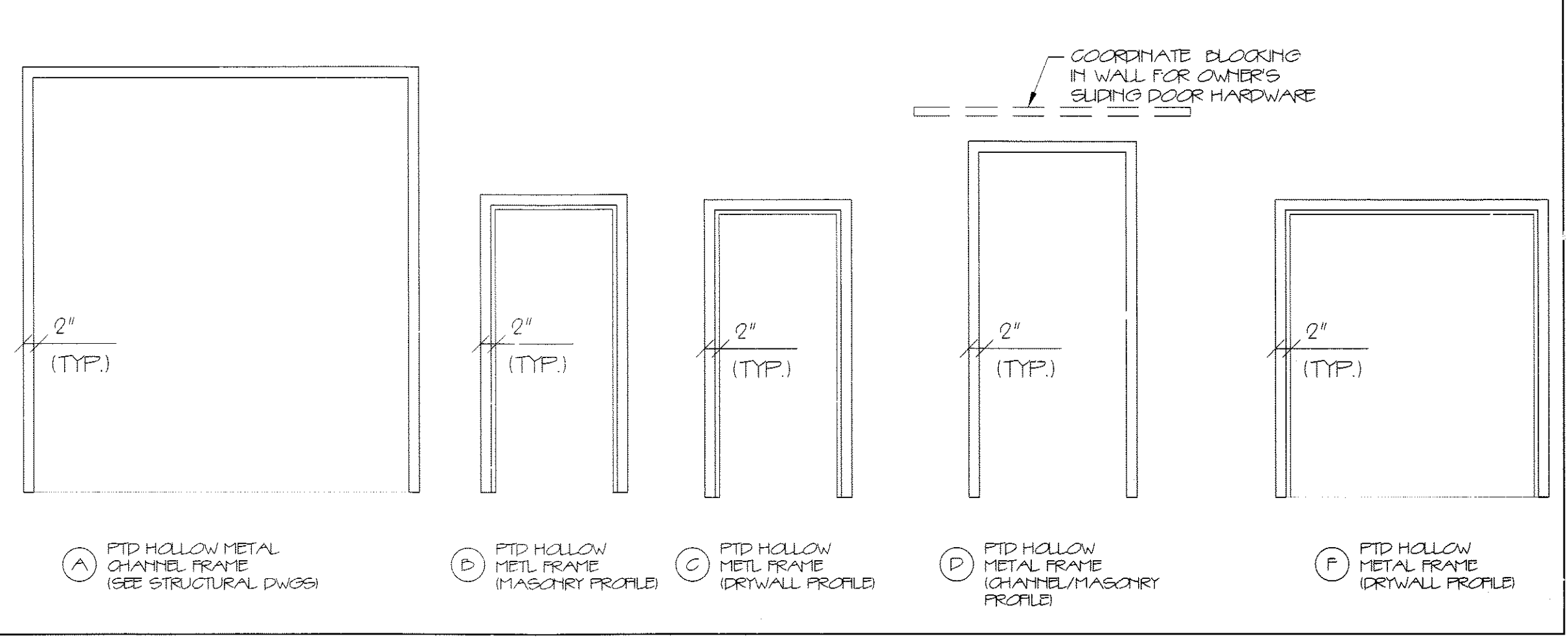
FRAME TYPES 3/8" = 1'-0"

DOOR SCHEDULE

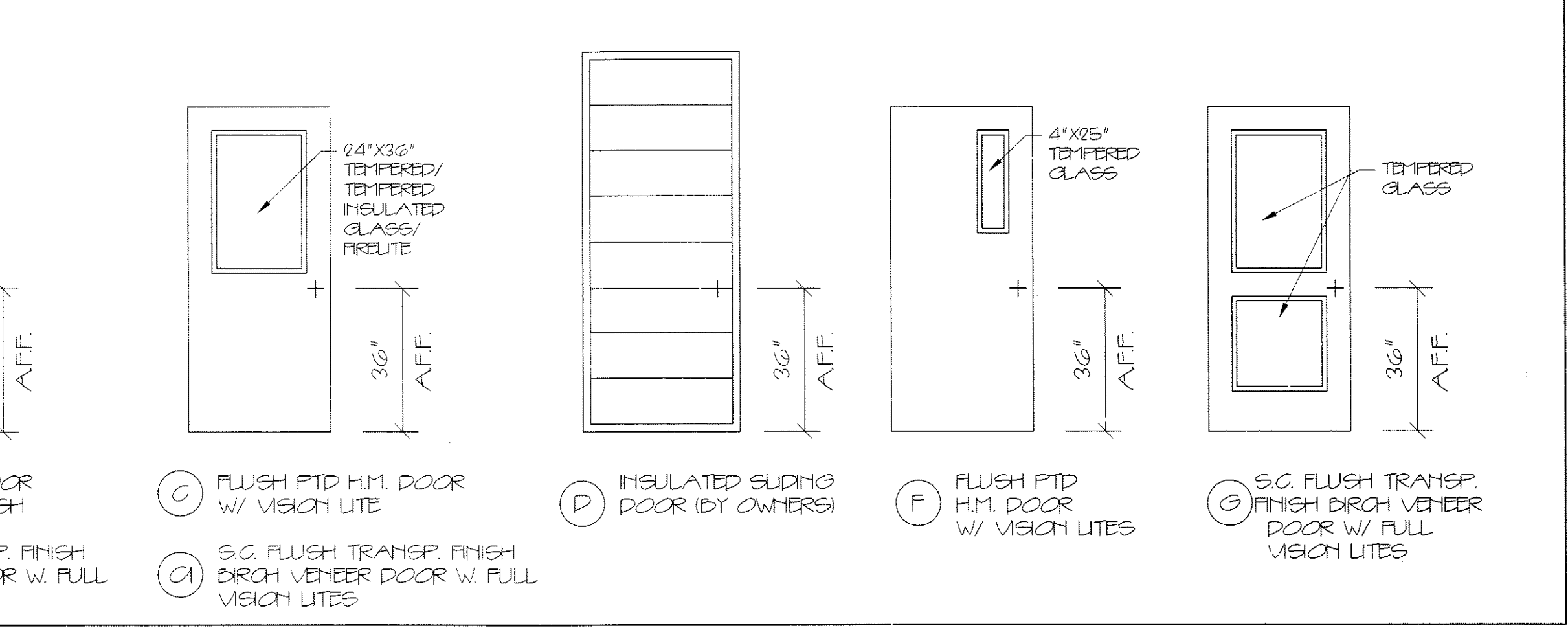
E = EXISTING (TO REMAIN)
 E/R = EXISTING (RELOCATE)

NO.	TYPE	SIZE (W X H)	THK	INSUL	HDWE	FR	GLASS TYPE	GLASS SIZE	REMARKS	FRAMES			THRESHOLDS				
										TYPE	FR	PROFILE	DETAILS HEAD	DETAILS JAMB	MATERIAL	DETAILS SILL	DETAILS FIN
101	A	8'-0"X10'-0"	1 3/4"	R-14	MFGR	NO	T-INSUL	318"X24"	T-BREAK/WHITE FINISH	HM	NO	A	MFGR	MFGR	NONE	-	CONC
102	A	8'-0"X10'-0"	1 3/4"	R-14	MFGR	NO	T-INSUL	318"X24"	T-BREAK/WHITE FINISH	HM	NO	A	MFGR	MFGR	NONE	-	CONC
103	A	8'-0"X10'-0"	1 3/4"	R-14	MFGR	NO	T-INSUL	318"X24"	T-BREAK/WHITE FINISH	HM	NO	A	MFGR	MFGR	NONE	-	CONC
104	C	3'-0"X7'-0"	1 3/4"	R-10	HW-1	NO	T-INSUL	24X36		HM	NO	D			ALUM	-	
105	C	3'-0"X7'-0"	1 3/4"	R-10	HW-1	NO	T-INSUL	24X36		HM	NO	D			ALUM	-	
106	C	3'-0"X7'-0"	1 3/4"	NO	HW-2	NO	T	24X36		HM	NO	C			ALUM	-	
107	D	3'-0"X7'-0"	1 3/4"	R-10	HW-2	NO	NONE	NONE		HM	NO	C			ALUM	-	
108	D	4'-0"X8'-0"	1 3/4"	R-10	HW-3	NO	NONE	NONE	SLIDING DOOR TRACK B2	HM	NO	D			NONE	-	CONC
109	C	3'-0"X7'-0"	1 3/4"	NO	HW-2	NO	T	24X36		HM	NO	C			ALUM	-	
110	D	3'-0"X7'-0"	1 3/4"	NO	HW-4	D	NONE	NONE		HM	D	C			NONE	-	CONC
111	F	3'-0"X7'-0"	1 3/4"	NO	HW-5	NO	T	4'X25'		HM	NO	C			NONE	-	CONC
112	A	10'-0"X10'-0"	1 3/4"	R-14	MFGR	1 HR	T-INSUL	318"X24"	T-BREAK/WHITE FINISH	HM	NO	A	MFGR	MFGR	NONE	-	CONC
201	C	3'-0"X7'-0"	1 3/4"	NO	HW-13	D	PRELITE	24X36		HM	D	C			NONE	-	CONC
202	D	3'-0"X7'-0"	1 3/4"	NO	HW-7	NO	NONE	NONE		HM	NO	C			NONE	-	
203	G	3'-0"X7'-0"	1 3/4"	NO	HW-8	NO	T	FULL		HM	NO	C			NONE	-	
204	EM	3'-0"X7'-0"	1 3/4"	NO	HW-9	NO	NONE	NONE		HM	NO	C			NONE	-	
205	EM	3'-0"X7'-0"	1 3/4"	NO	HW-10	NO	NONE	NONE		HM	NO	C			NONE	-	
206	EM	3'-0"X7'-0"	1 3/4"	NO	HW-11	NO	NONE	NONE		HM	NO	C			NONE	-	
207	CI	3'-0"X7'-0"	1 3/4"	NO	HW-11	NO	T	24X36		HM	NO	C			NONE	-	
208	CI	3'-0"X7'-0"	1 3/4"	NO	HW-11	NO	T	24X36		HM	NO	C			NONE	-	
209	CI	3'-0"X7'-0"	1 3/4"	NO	HW-11	NO	T	24X36		HM	NO	C			NONE	-	
210	EM	3'-0"X7'-0"	1 3/4"	NO	HW-11	NO	NONE	NONE		HM	NO	C			NONE	-	
211	EM	3'-0"X7'-0"	1 3/4"	NO	HW-12	D	NONE	NONE	OFFSET RABBIT	HM	D	F			NONE	-	
212	F	3'-0"X7'-0"	1 3/4"	R-10	HW-1	D	T-INSUL	4X25		HM	D	D			ALUM	-	
213	EM	3'-0"X7'-0"	1 3/4"	NO	HW-7	NO	NONE	NONE		HM	D	C			NONE	-	

HARDWARE SETS NO SCALE



DOOR TYPES 3/8" = 1'-0"



FRAME TYPES 3/8" = 1'-0"

COLURGH REPRODUCTION OR MISUSE OF THIS DOCUMENT WITHOUT WRITTEN PERMISSION FROM GRANT HAYS ASSOCIATES IS PROHIBITED.

REGISTERED ARCHITECT
 MICHAEL F. HAYS
 No. 1724
 STATE OF MAINE

REVISIONS

NEW ADDITION FOR
 ALLAGASH BREWING CO.
 50 INDUSTRIAL WAY PORTLAND, MAINE

ARCHITECTURE
 INTERIOR DESIGN
 P.O. BOX 6179 FALMOUTH, MAINE 04105
 (207) 871-5900
 (207) 871-9308

ARCHITECTURE
 INTERIOR DESIGN
 P.O. BOX 6179 FALMOUTH, MAINE 04105
 (207) 871-5900
 (207) 871-9308

DOORS & WINDOWS

SCALE AS NOTED
 DATE 7/25/2014
 DRAWN BY SAM/MPH
 JOB NO. 140560
 DRAWING NO. A-7