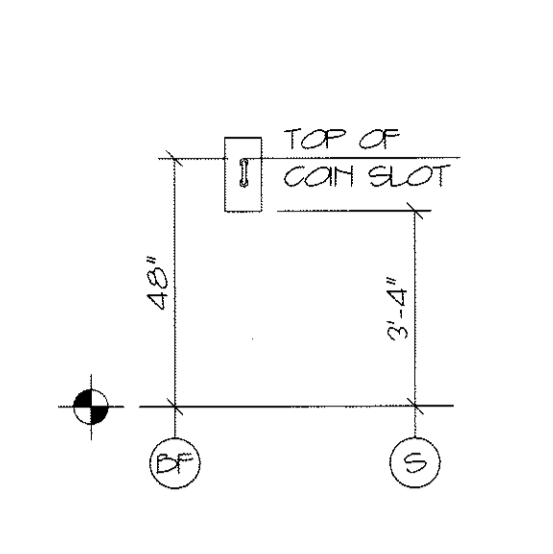
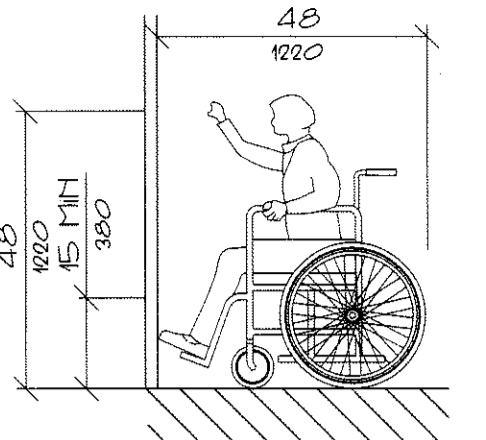


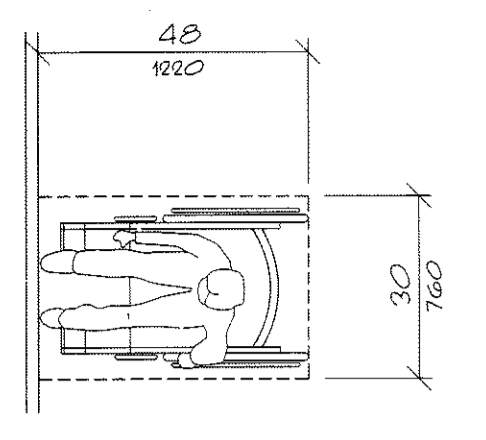
MIRROR OR MEDICINE CABINET
NTS



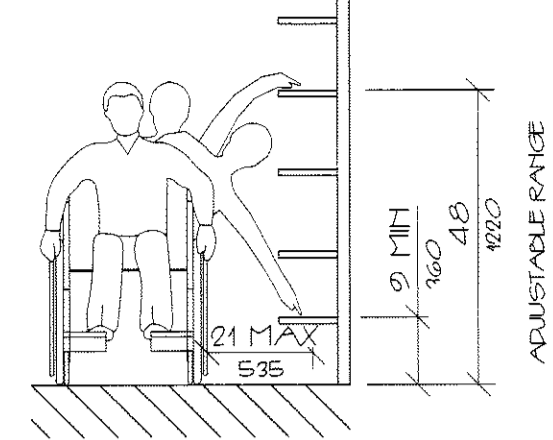
PUBLIC TELEPHONE
NTS



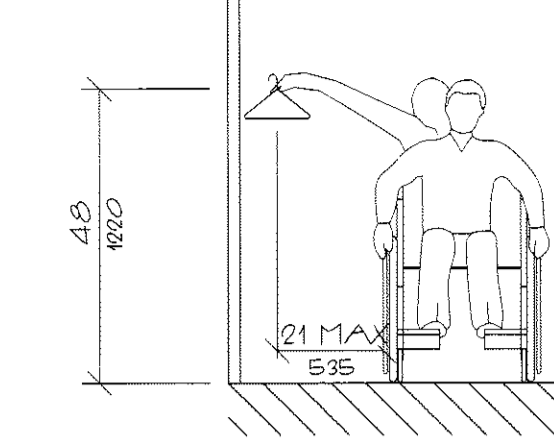
HIGH FORWARD REACH LIMIT
NTS



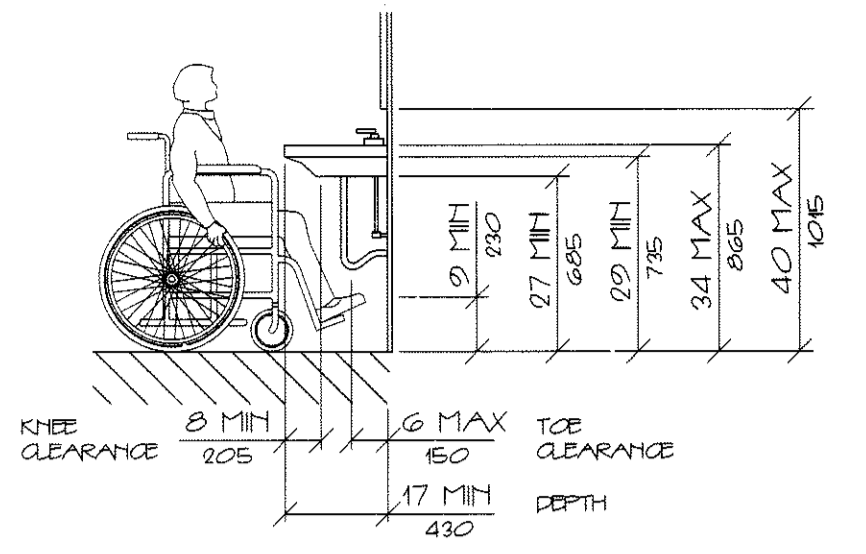
STORAGE SHELVES AND CLOSETS
NTS



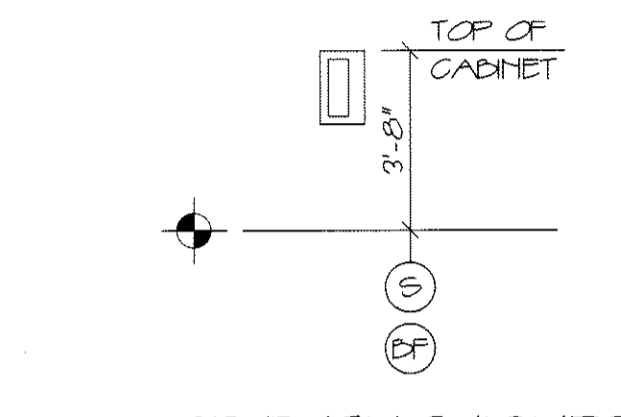
CLEAR FLOOR SPACE
PARALLEL APPROACH
NTS



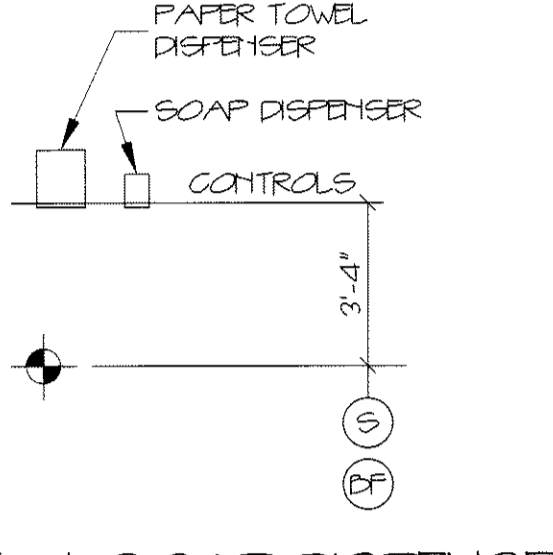
HIGH AND LOW
SIDE REACH LIMITS
NTS



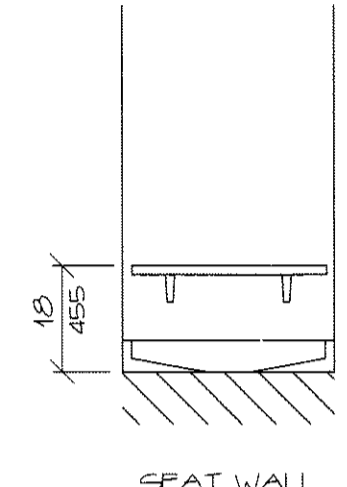
LAVATORY CLEARANCES
NTS



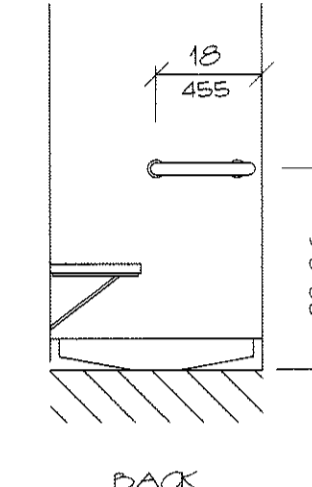
FIRE EXTINGUISHER
CABINET (FEC)
NTS



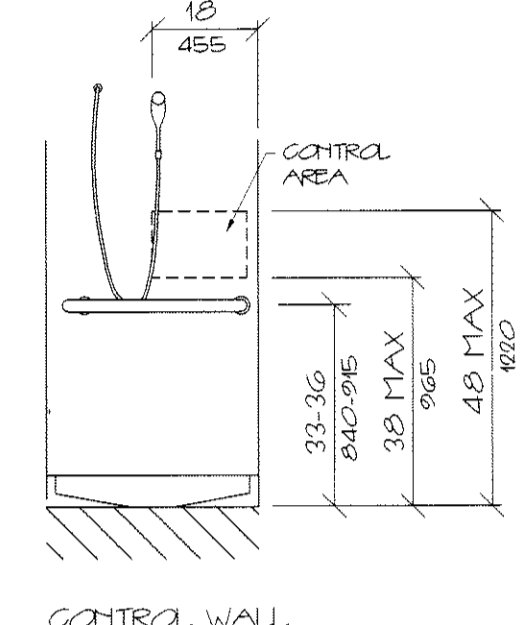
TOWEL & SOAP DISPENSERS
NTS



SEAT WALL

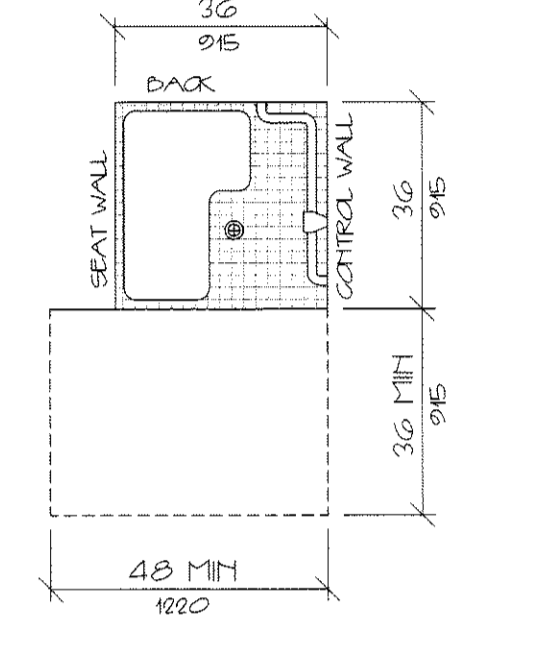


BACK

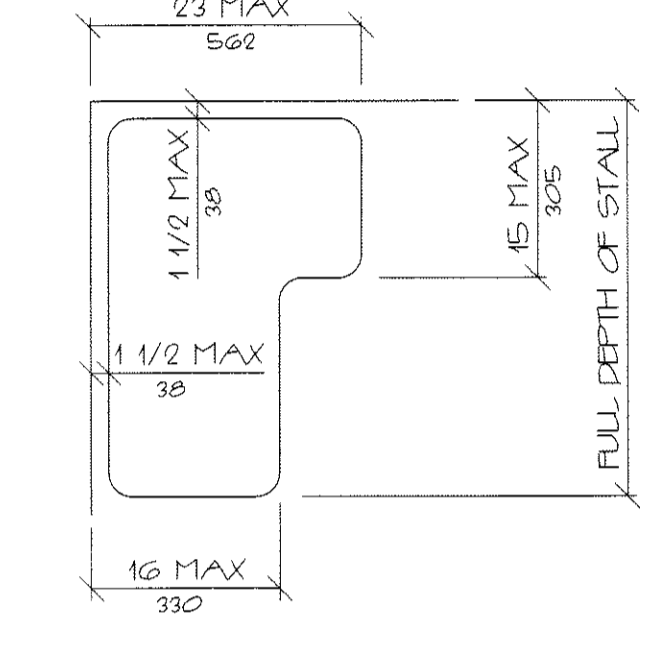


CONTROL WALL

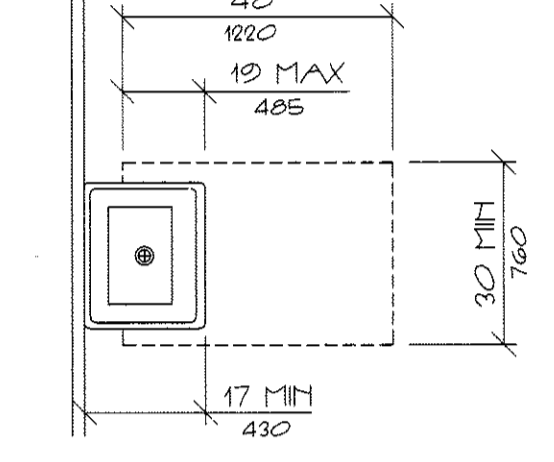
SHOWER SEAT ELEVATIONS
NTS



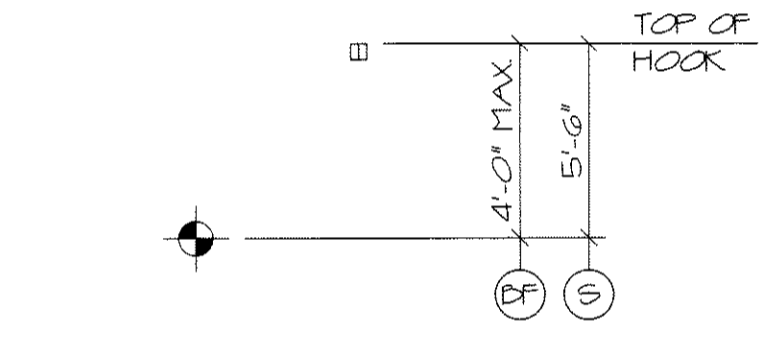
SHOWER STALL PLAN
NTS



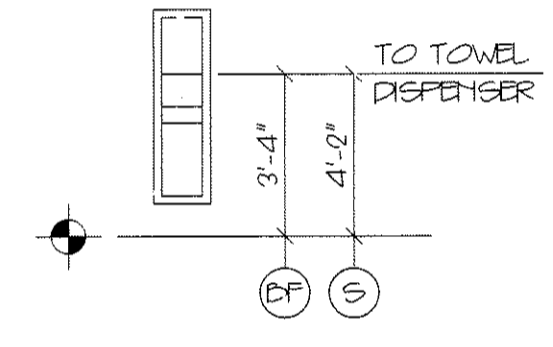
SHOWER SEAT DESIGN
NTS



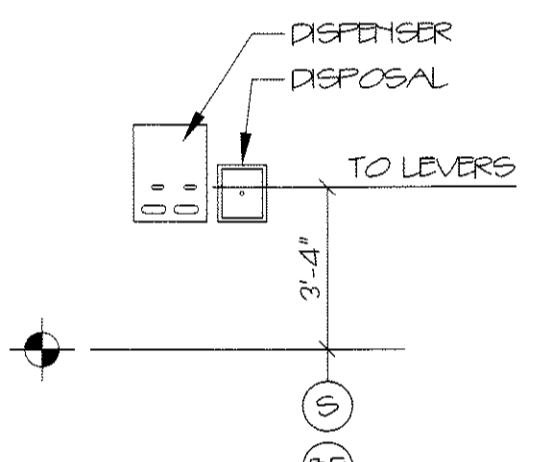
CLEAR FLOOR SPACE
AT LAVATORIES
NTS



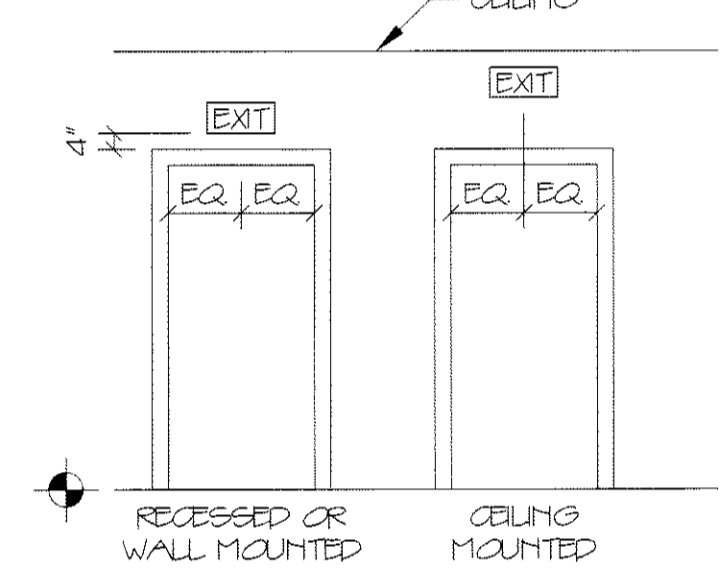
CLOTHES HOOK
NTS



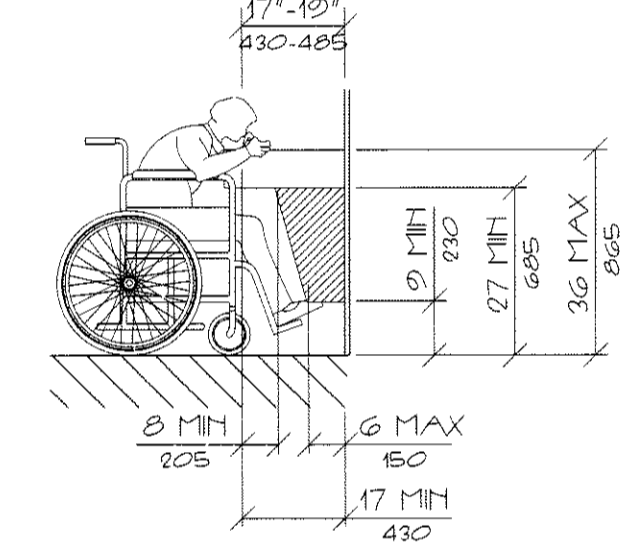
TOWEL DISPENSER
DISPOSAL UNIT
NTS



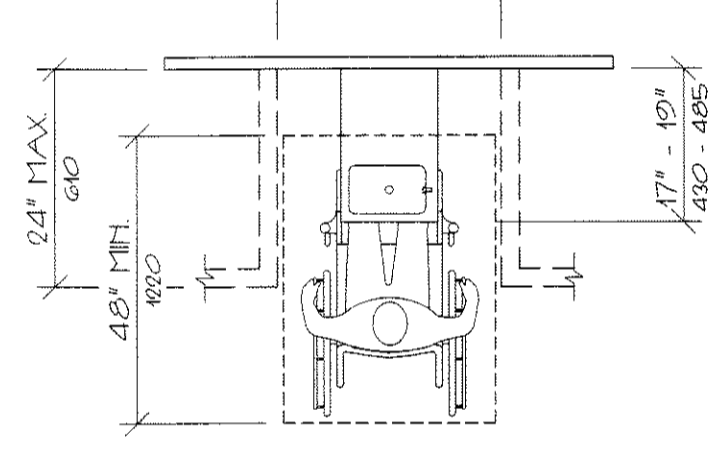
SANITARY NAPKIN
DISPENSER & DISPOSAL
NTS



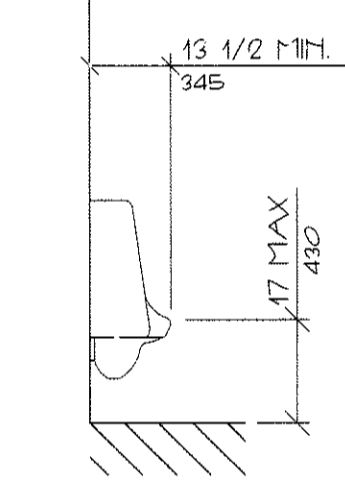
EXIT SIGNS
TYPICAL UNLESS OTHERWISE NOTED
NTS



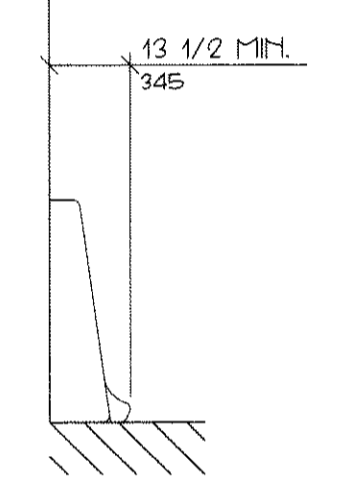
EQUIPMENT PERMITTED
IN SHADED AREA
DRINKING FOUNTAIN
SPOUT HEIGHT AND
KNEE CLEARANCE
NTS



DRINKING FOUNTAIN
NTS

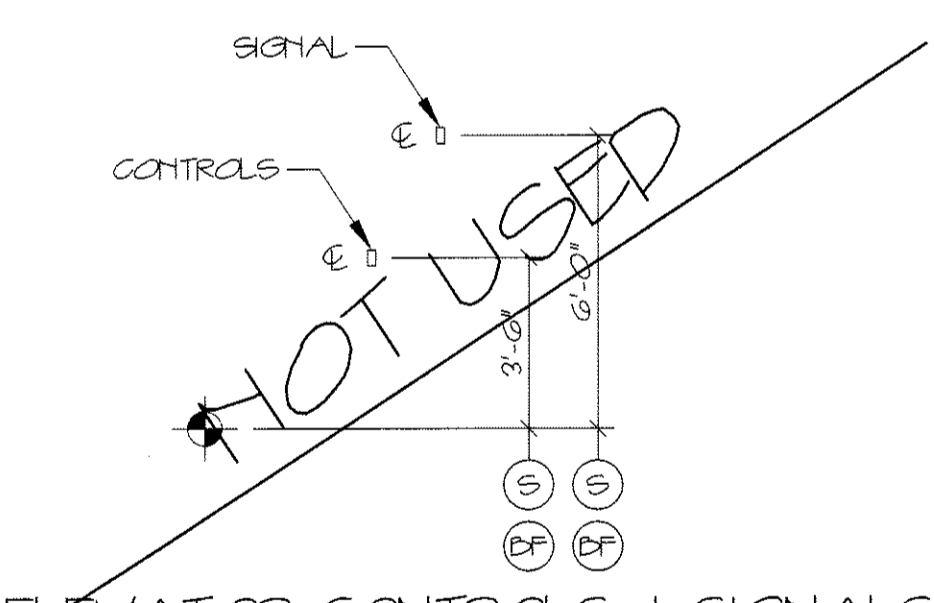


WALL HUNG TYPE

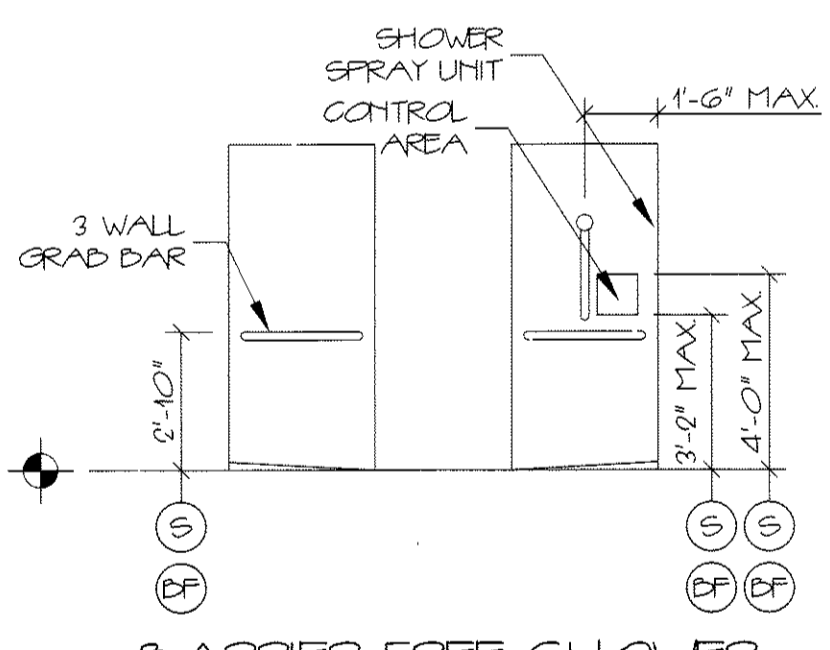


STALL TYPE

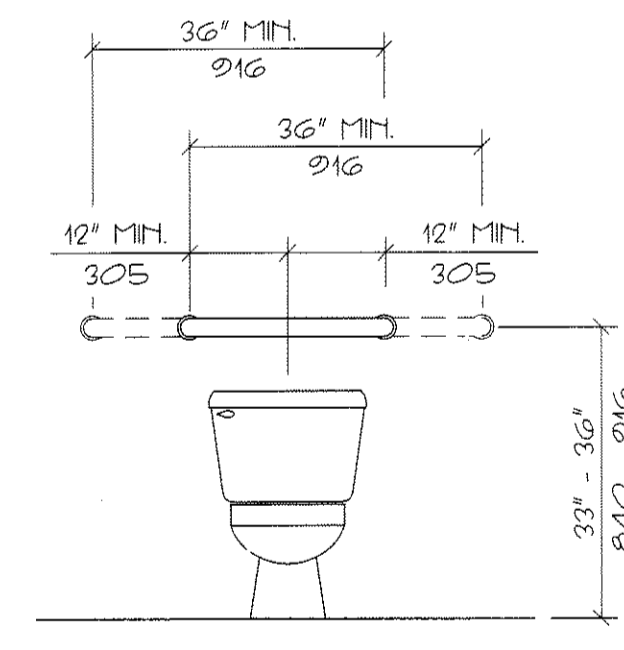
HEIGHT AND DEPTH OF URINALS
NTS



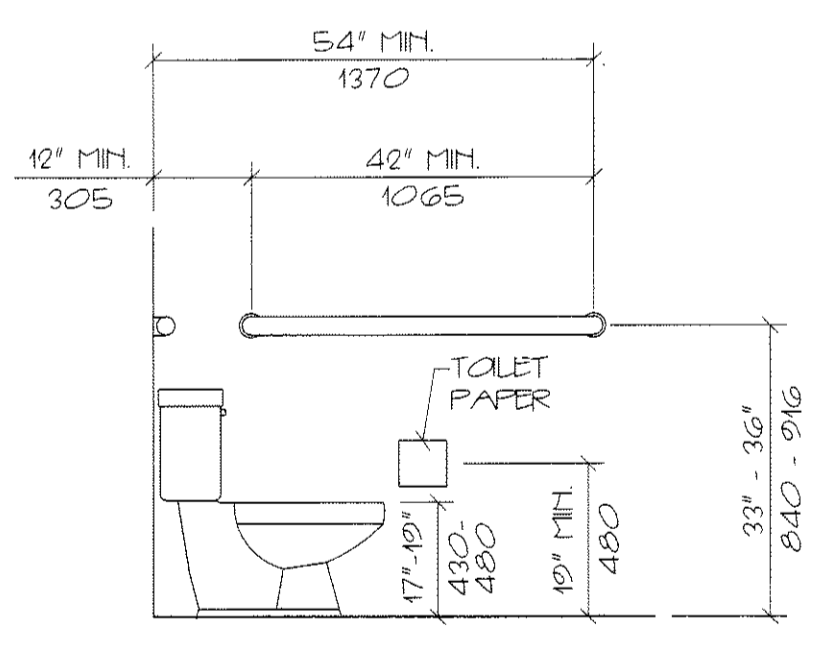
ELEVATOR CONTROLS & SIGNALS
NTS



BARrier FREE SHOWER
NTS



GRAB BARS AT WATER CLOSETS
NTS



TOILET
NTS

ACCESSIBILITY ACCESSORY
MOUNTING HEIGHTS

| | |
|---------------------------------|---------|
| GRAB BARS | 33"-36" |
| TOILET PAPER HOLDER | 19" MIN |
| TOWEL BAR/PAPER TOWEL DISPENSER | 48" MAX |
| BUILT IN PAPER TOWEL DISPENSER | 48" MAX |
| SOAP DISH/DISPENSER AT WALL | 48" MAX |
| SANITARY NAPKIN DISPENSER | 48" MAX |
| SANITARY NAPKIN DISPOSAL | 19" MAX |
| MIRROR (BOTTOM) | 40" MAX |
| SHELVES/STORAGE | 48" MAX |
| ELECTRICAL SWITCHES/OUTLETS | 48" MAX |
| COAT HOOKS/RODS | 48" MAX |
| SIGNAGE (TO BRaille COMPONENT) | 60" MAX |

ACCESSIBILITY GENERAL NOTES

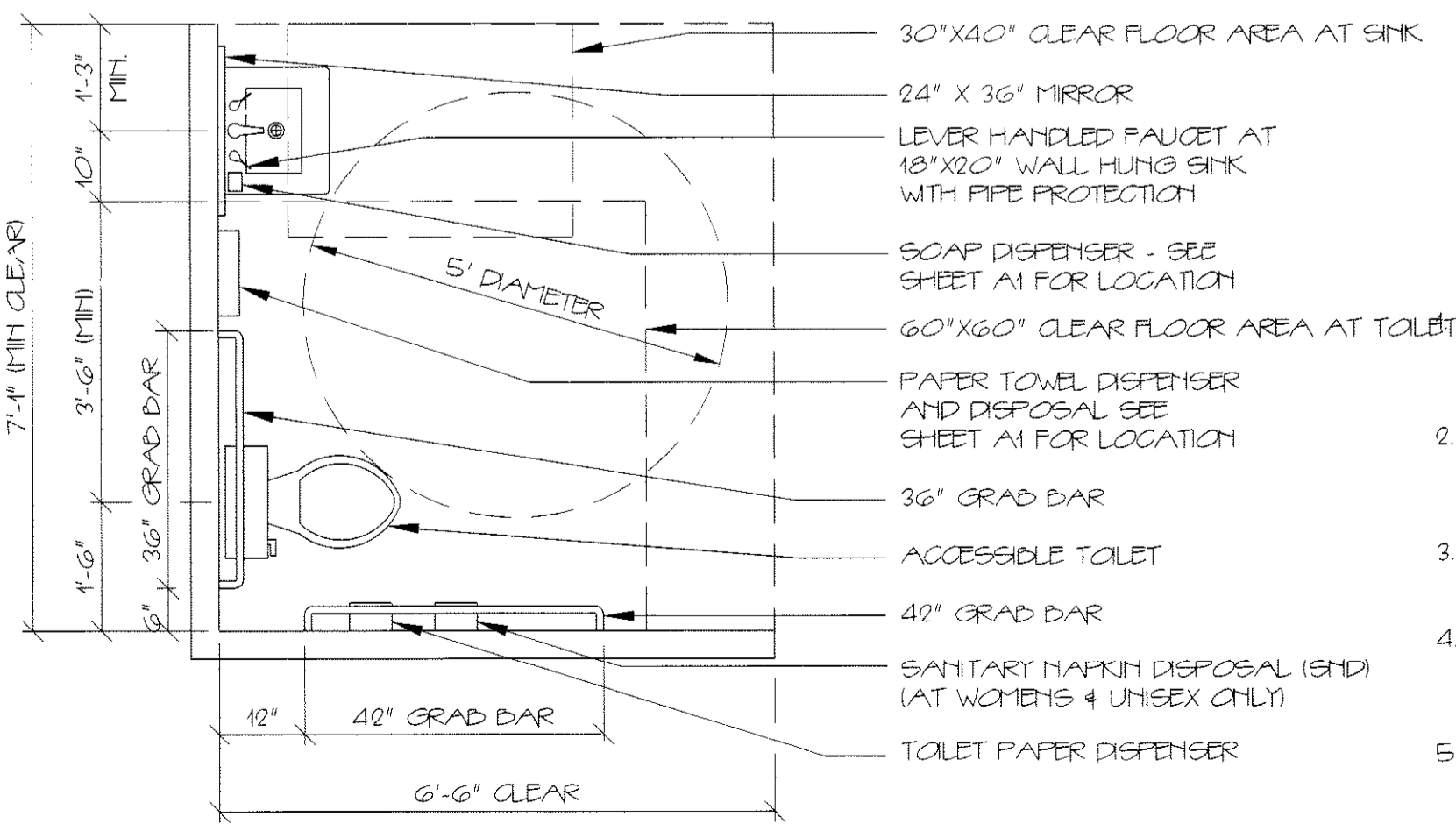
- DOORWAYS SHALL HAVE A MINIMUM CLEAR WIDTH OF 32" WITH THE DOOR OPEN 90 DEGREES MEASURED BETWEEN THE FACE OF THE DOOR AND THE OPPOSITE STOP.
- ALL DOORS SHALL HAVE LEVER HANDLE HARDWARE, EXCEPT AT SECURED STORAGE ROOMS, MECHANICAL ROOMS, AND ELEVATOR MACHINE ROOMS.
- ALL CLOSERS SHALL BE SLD FULL MAXIMUM AT DOORS EQUIPPED WITH LEVER HANDLE HARDWARE.
- ALL DOORS WITH CLOSERS SHALL HAVE 18" CLEAR DISTANCE FROM THE LATCHSIDE OF THE OPENING TO ANY ADJACENT WALL OR OBSTRUCTION ON THE PULL SIDE OF THE OPENING.
- ALL DOORS WITH CLOSERS SHALL HAVE 12" CLEAR DISTANCE FROM THE LATCHSIDE OF THE OPENING TO ANY ADJACENT WALL OR OBSTRUCTION ON THE PUSH SIDE OF THE OPENING.
- ALL SIGNAGE SHALL BE MOUNTED 60" AFF TO BRaille COMPONENT AT LATCH-SIDE WALL OF DOORS AND OPENINGS.

LEGEND

- (S) STANDARD MOUNTING HEIGHT
- (B) BARRIER FREE ADULT MOUNTING HEIGHT
- (F) FINISH FLOOR LINE

NOTE

MOUNT ALL FIXTURES AT STANDARD MOUNTING HEIGHT UNLESS INDICATED ON PLAN BY A (S) SYMBOL. A (B) SYMBOL AT ANY ROOM SHALL INCLUDE ONE OF ANY FIXTURE AND ACCESSORY WITHIN THE ROOM.



TYPICAL ACCESSORIES
NTS

ELECTRICAL & FIRE PROTECTION DEVICES
TYPICAL UNLESS NOTED OTHERWISE
NTS

