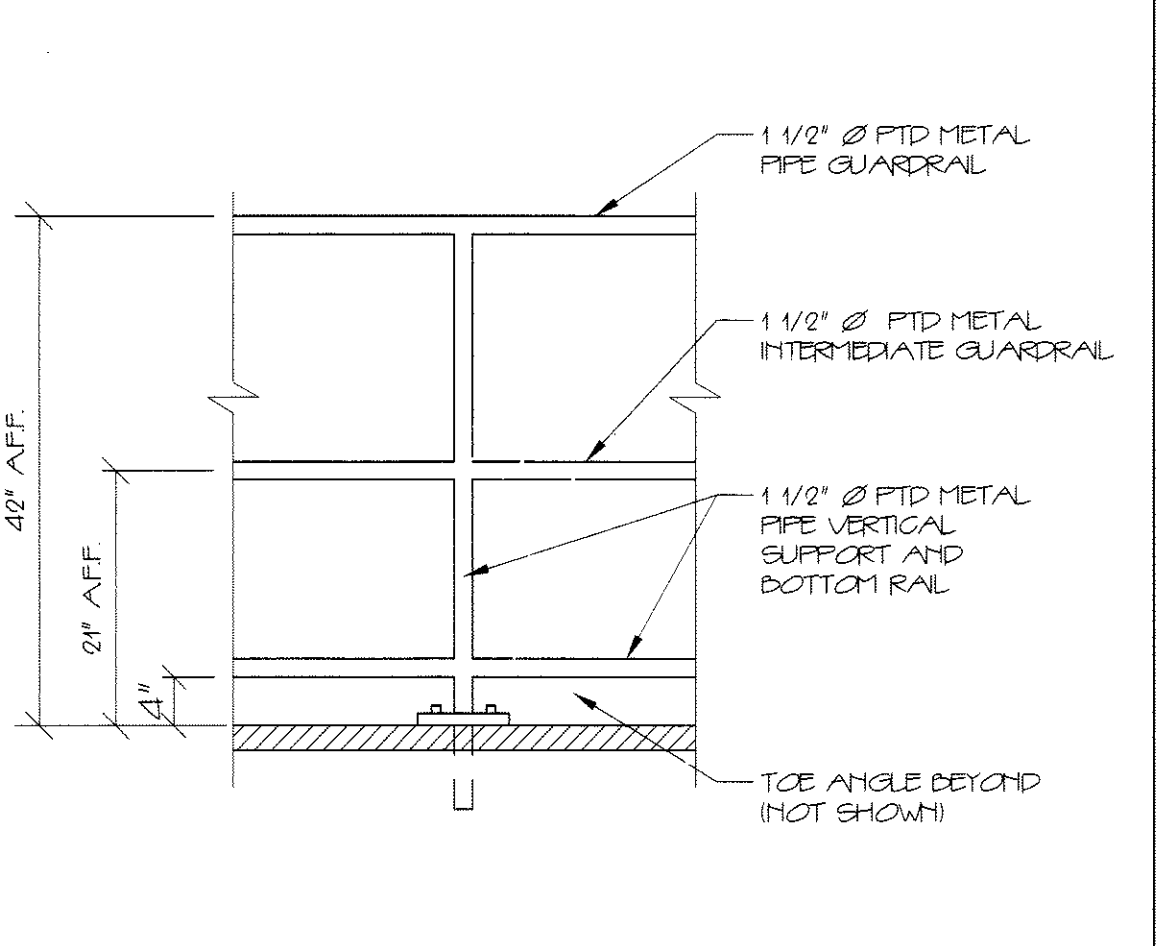
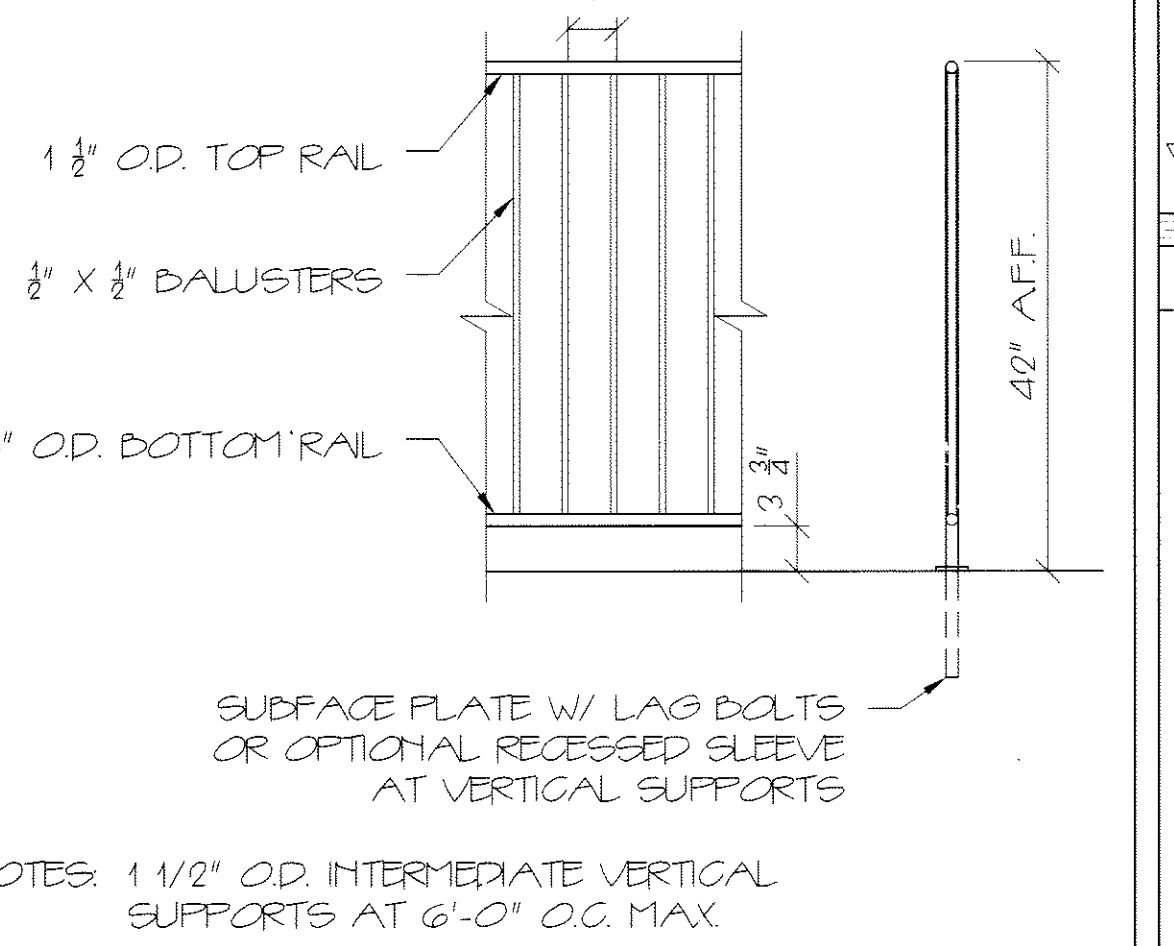


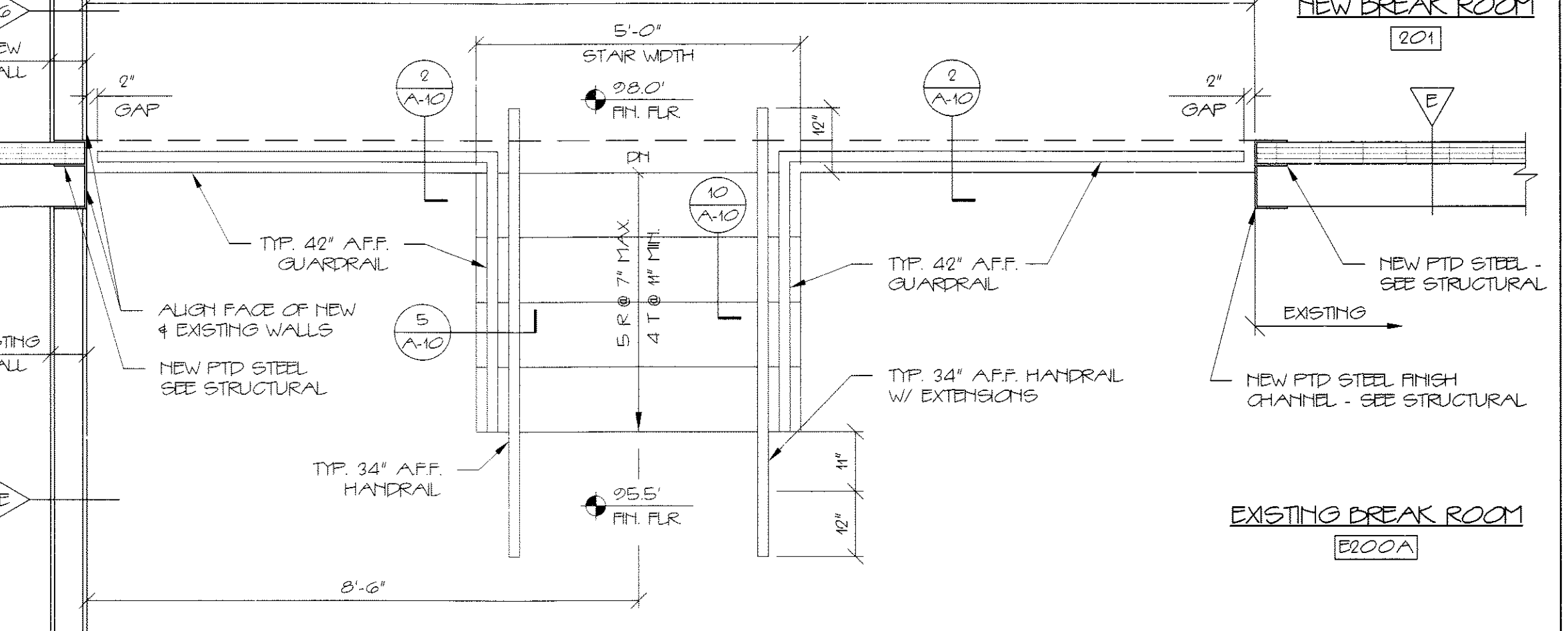
① TYPICAL WALL HANDRAIL SECTION 3/4"=1'-0"



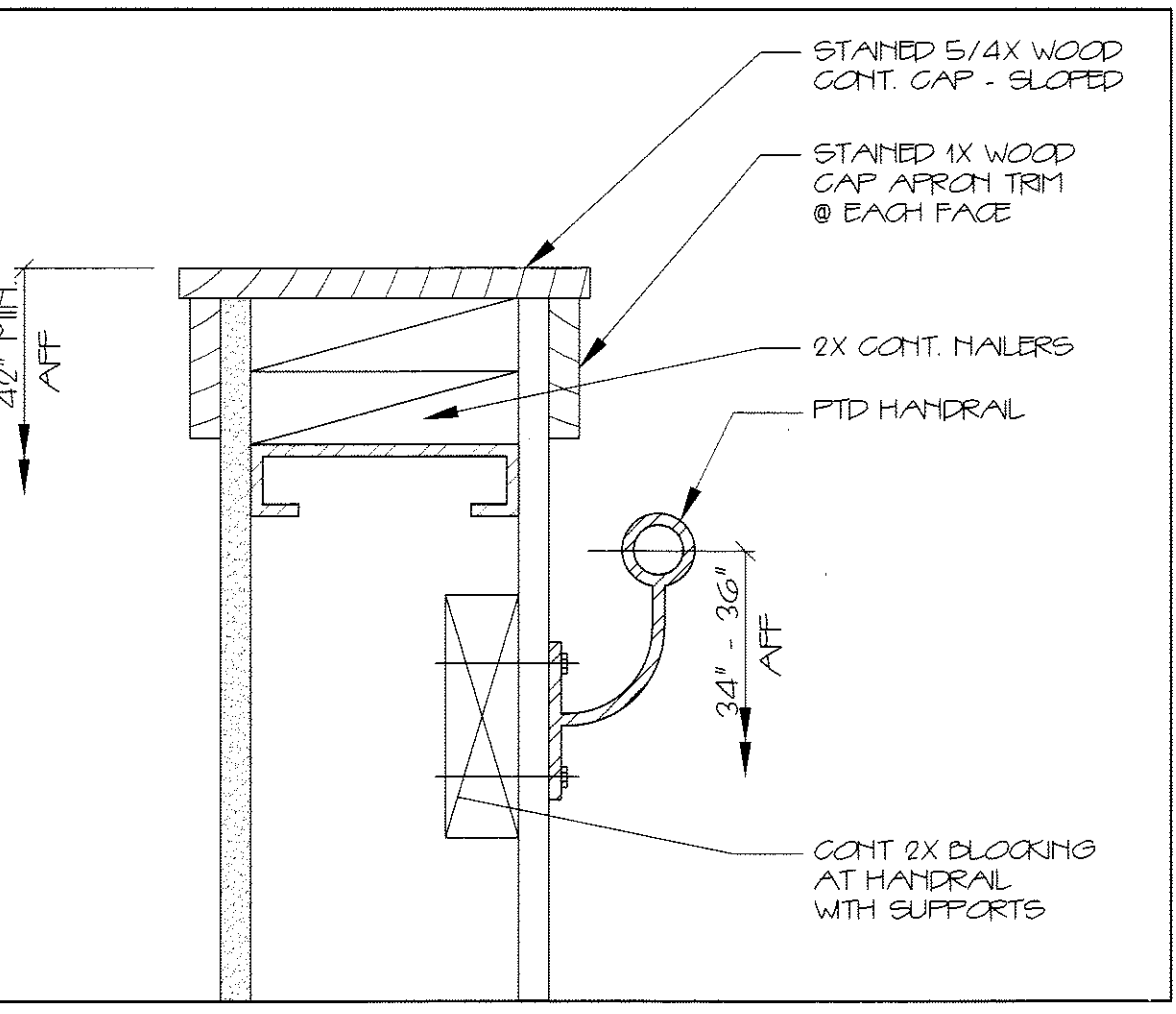
② TYPICAL GUARDRAIL 3/4"=1'-0"



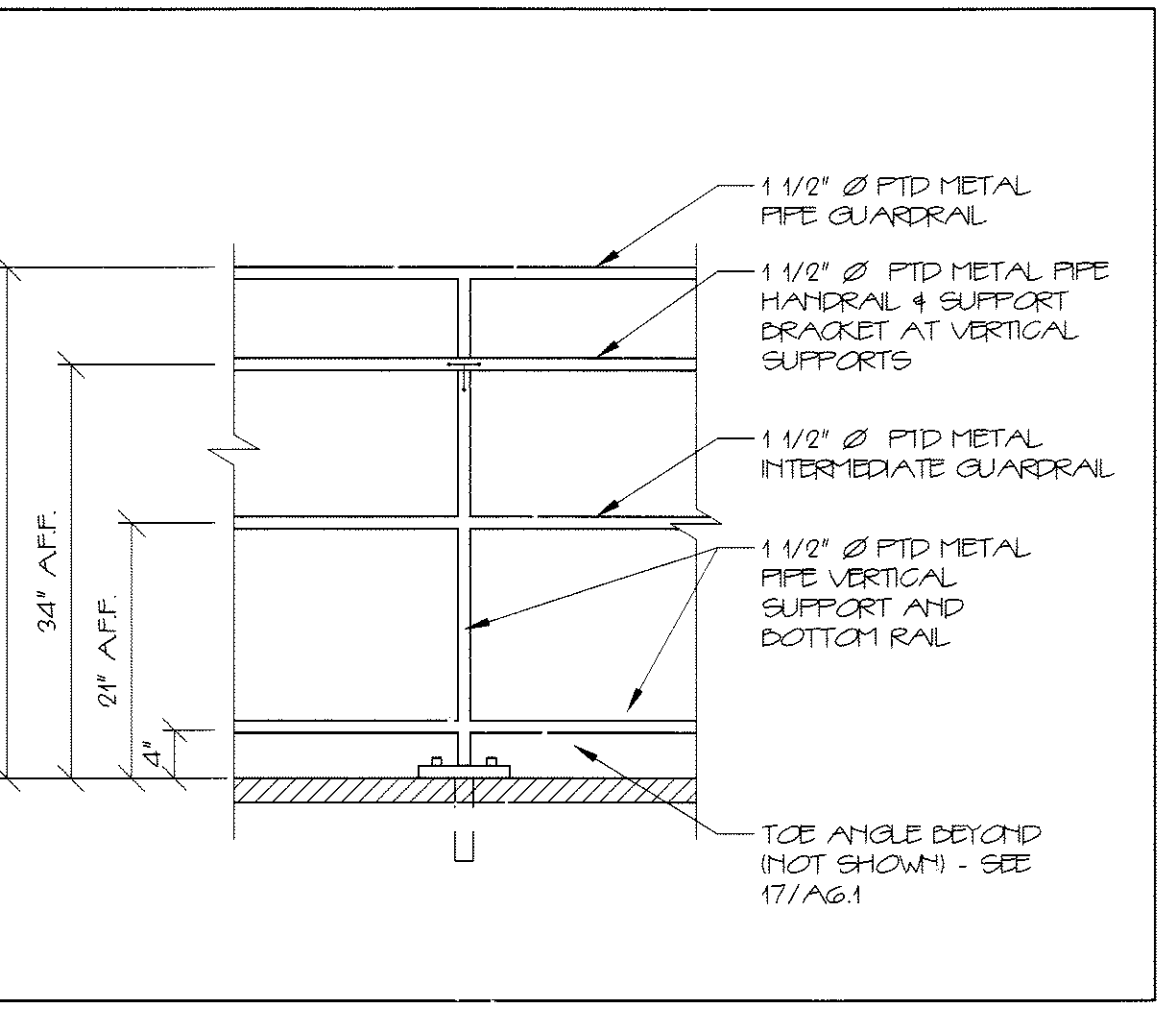
③ TYPICAL EXTERIOR GUARDRAIL N.T.S.



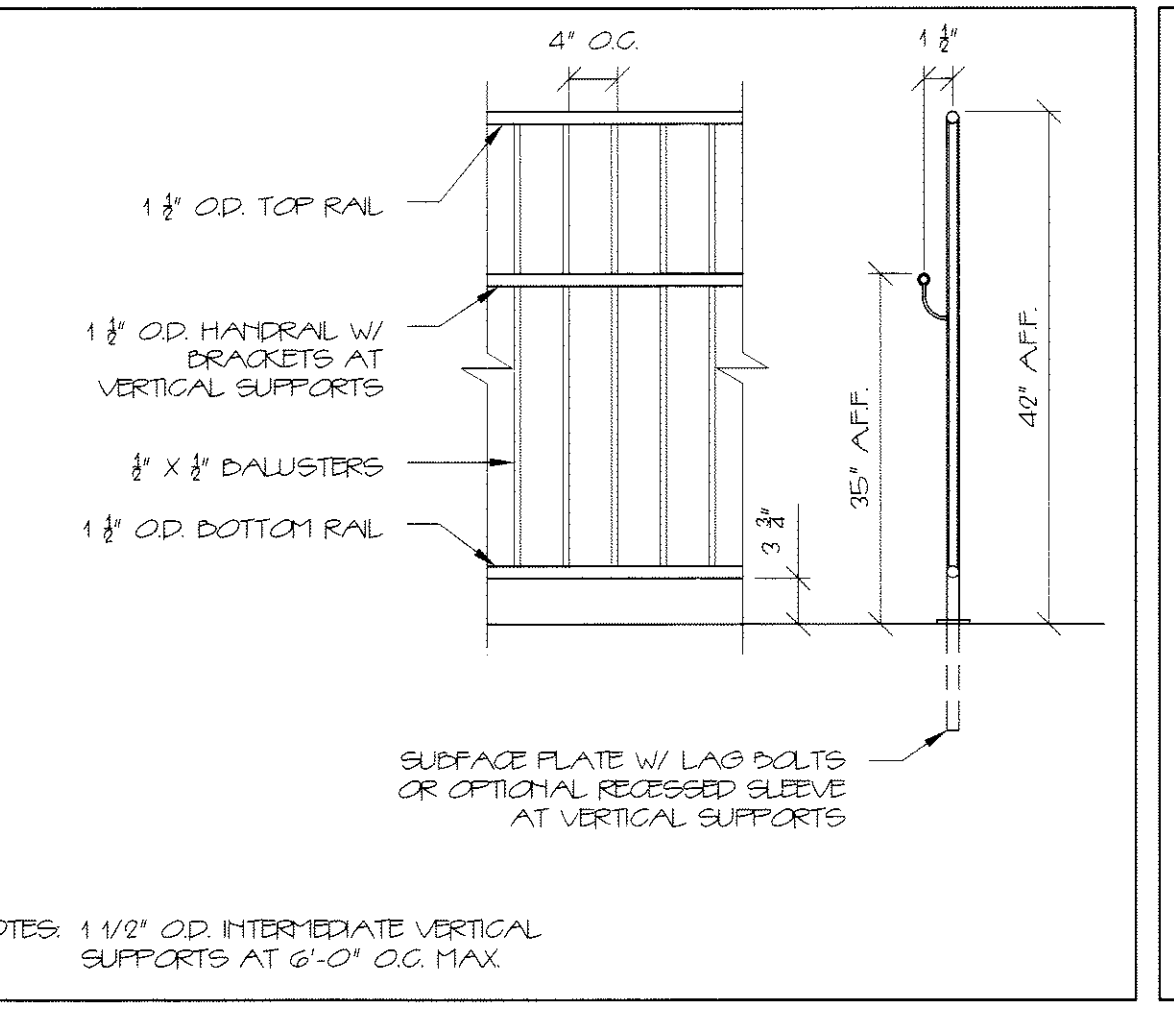
④ STAIR PLAN AT BREAK ROOMS 1/2"=1'-0"



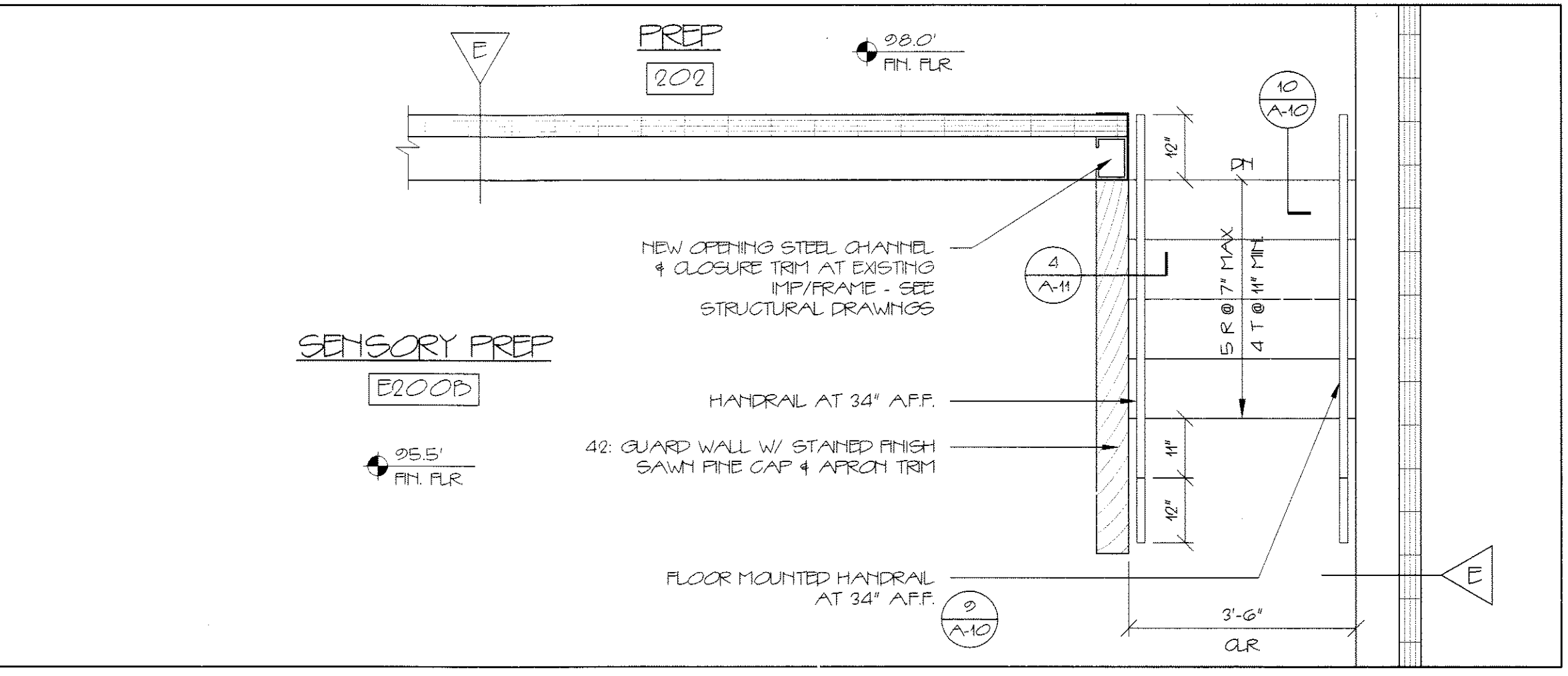
⑤ STAIR GUARDRAIL 3/4"=1'-0"



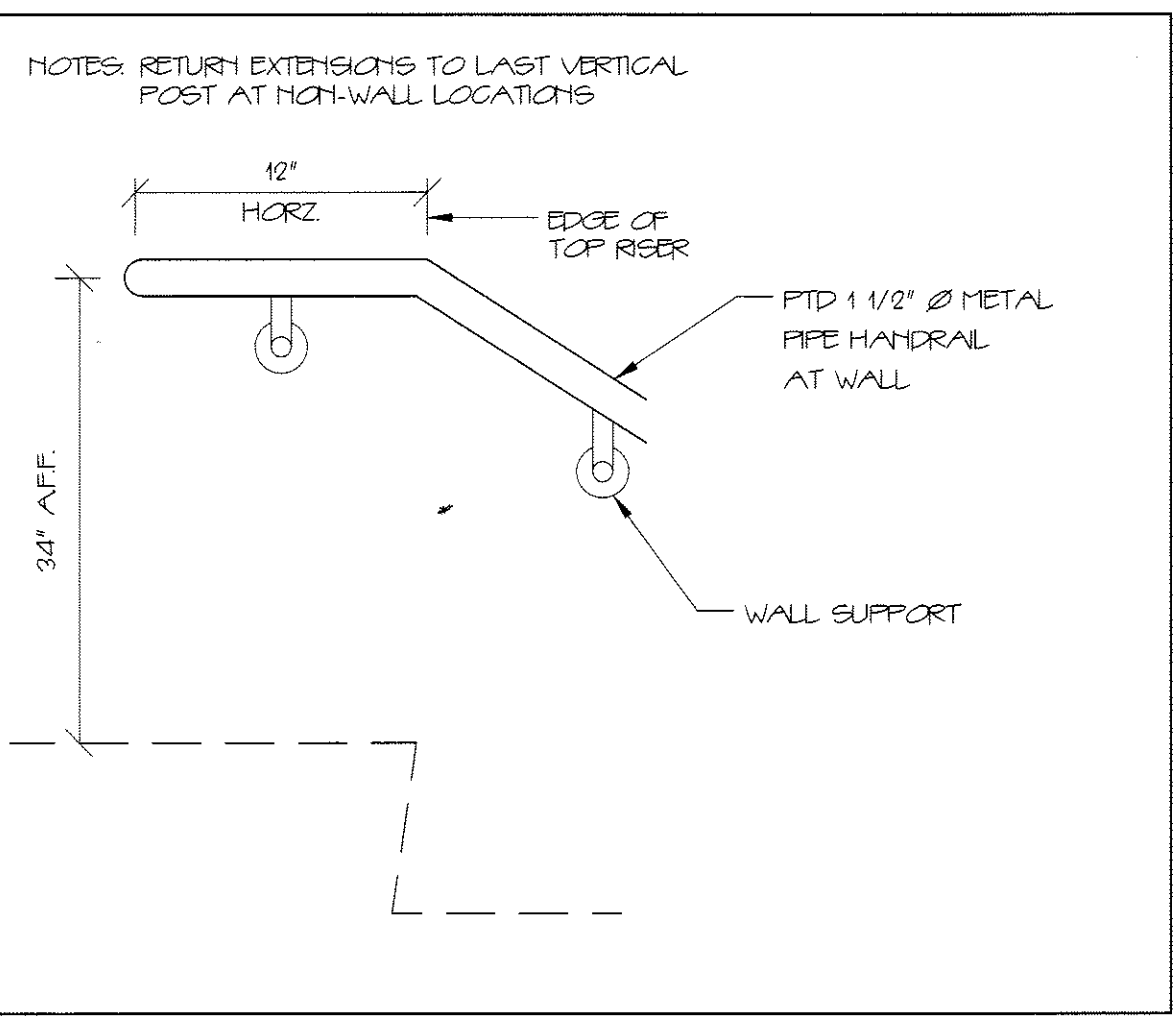
⑥ TYPICAL GUARDRAIL/HANDRAIL 3/4"=1'-0"



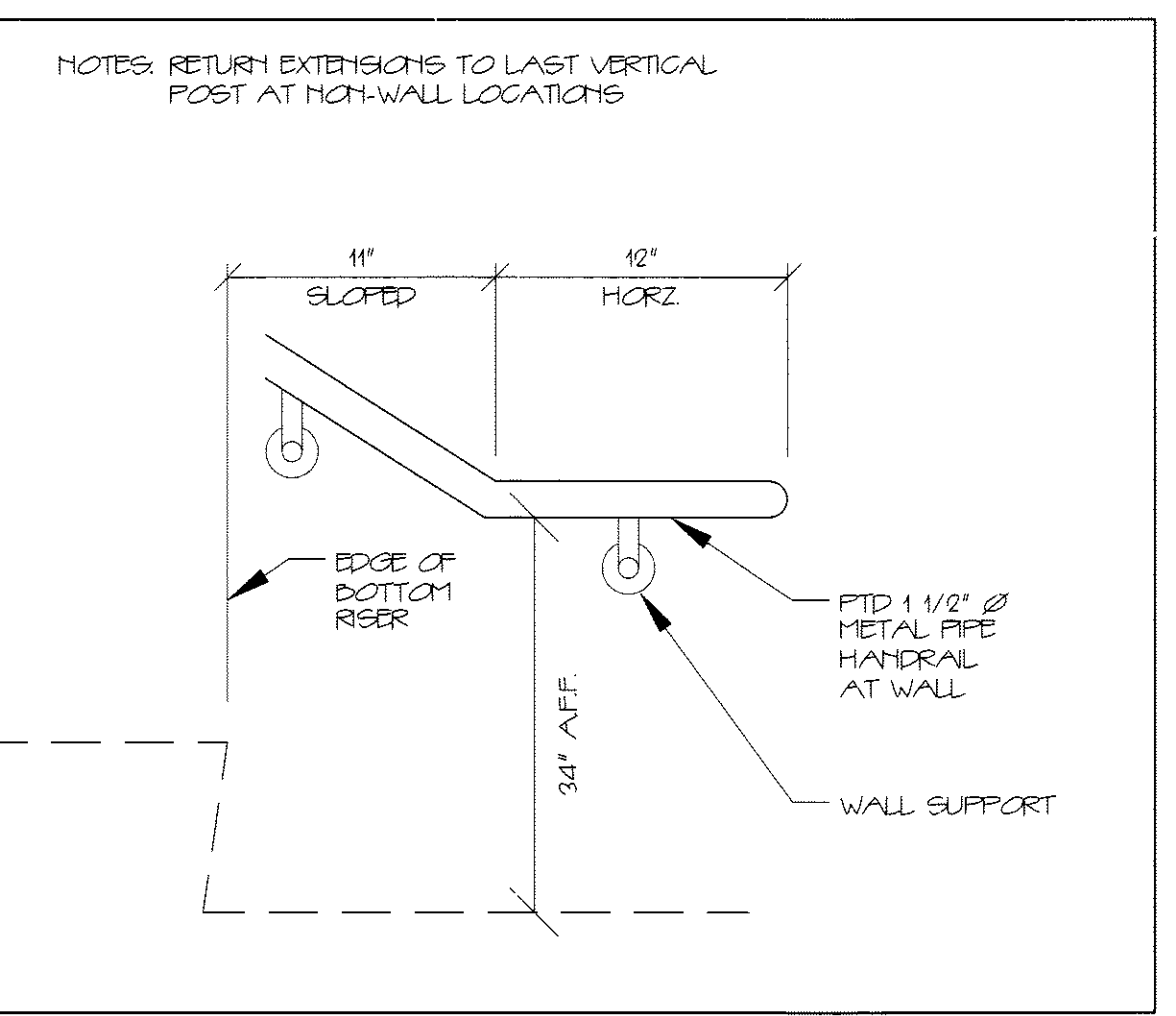
⑦ EXTERIOR GUARDRAIL/HANDRAIL 3/4"=1'-0"



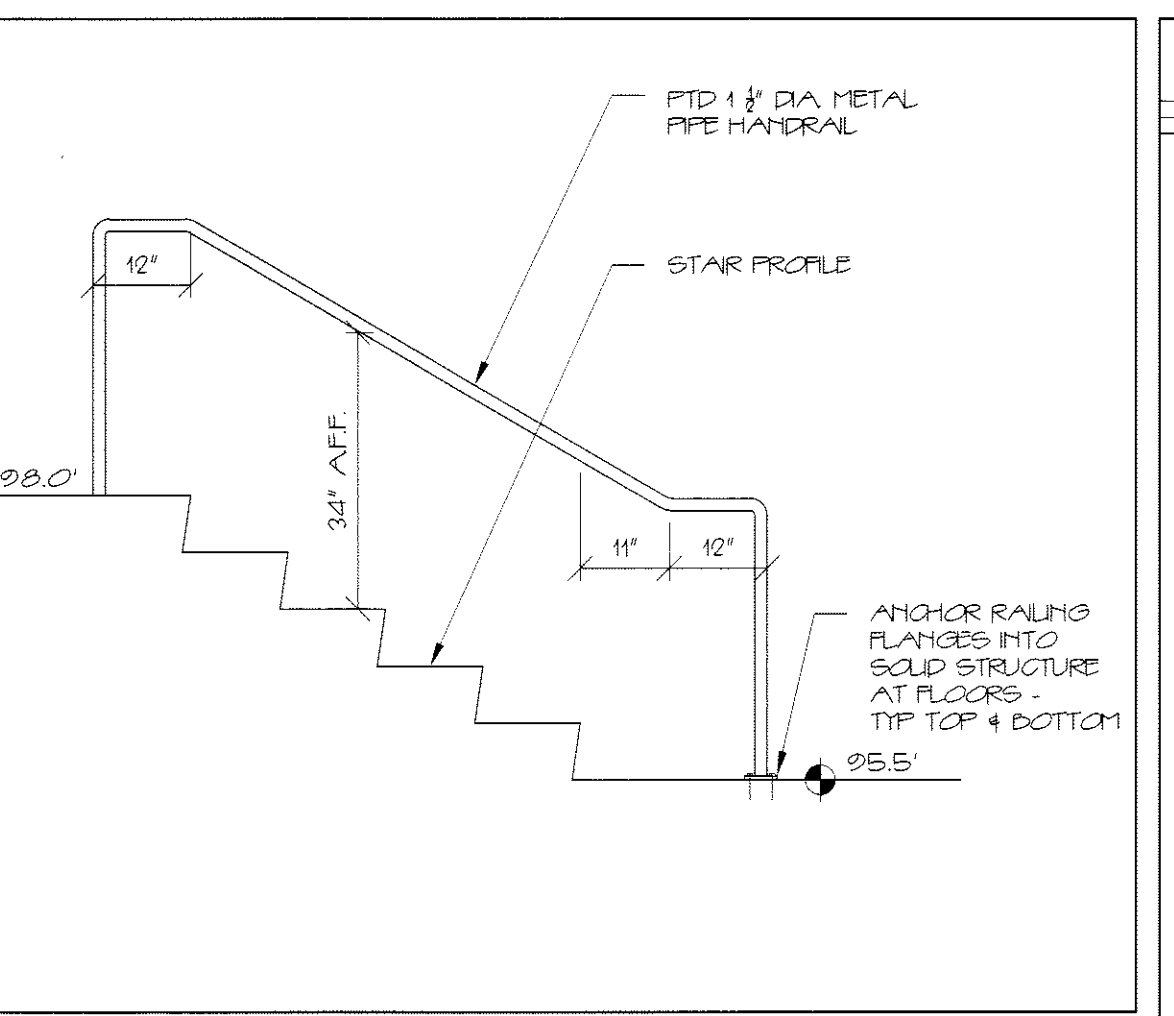
⑧ STAIR PLAN AT SENSORY PREP 1/2"=1'-0"



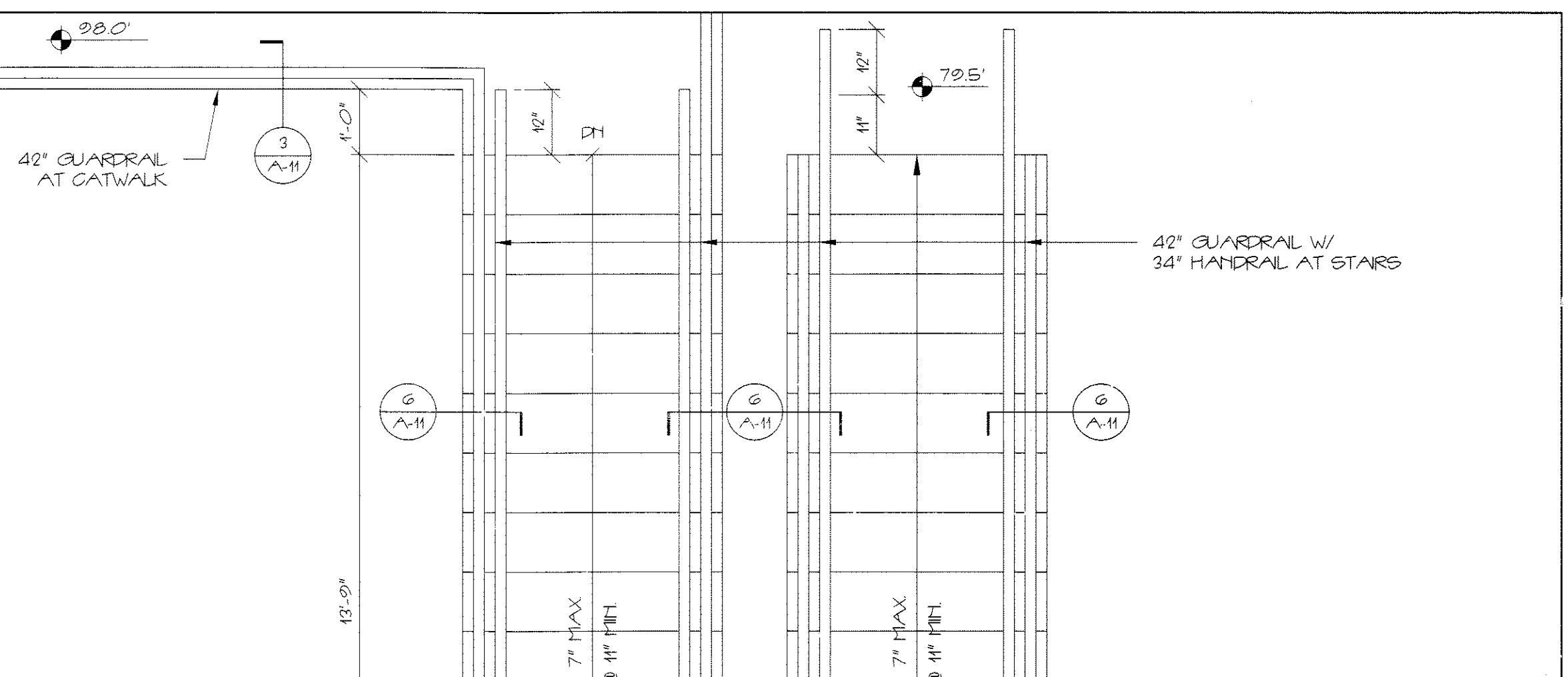
⑨ TYPICAL WALL HANDRAIL - TOP 1 1/2"=1'-0"



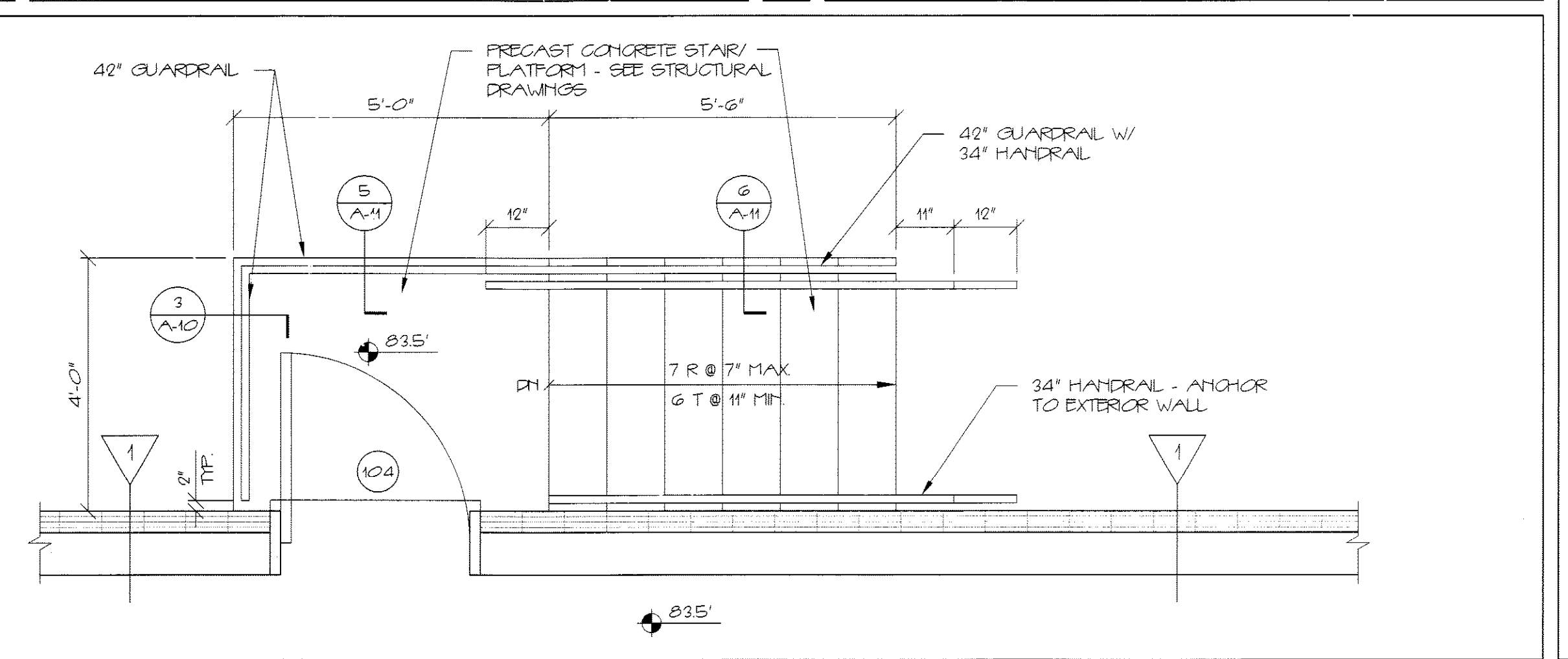
⑩ TYPICAL WALL HANDRAIL - BOTTOM 1 1/2"=1'-0"



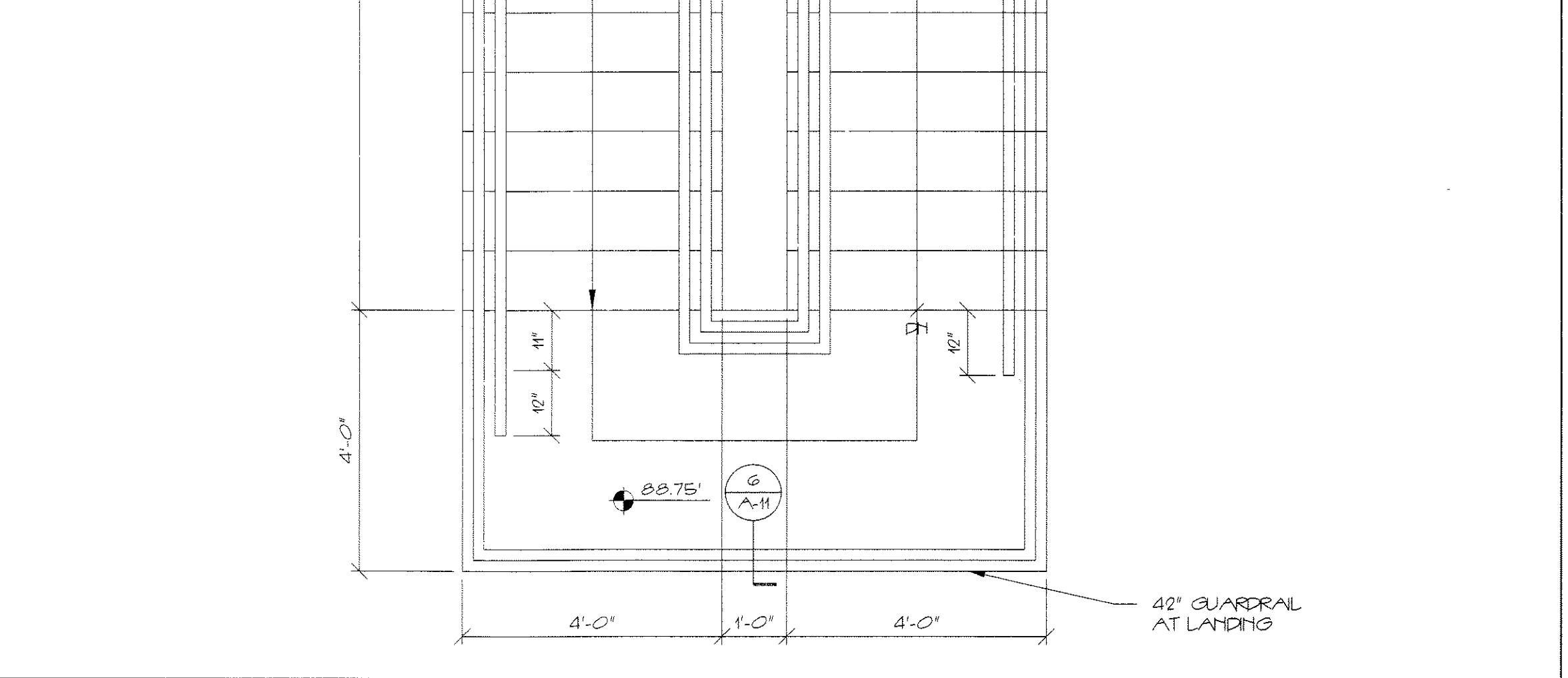
⑪ FLOOR MOUNTED HANDRAIL 1 1/2"=1'-0"



⑫ STAIR PLAN AT EXTERIOR/CATWALK 1/2"=1'-0"

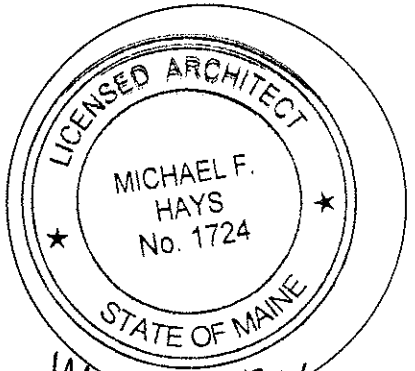


⑬ STAIR PLAN AT EXTERIOR - PRODUCTION AREA 1/2"=1'-0"



⑭ STAIR PLAN AT EXTERIOR/CATWALK 1/2"=1'-0"

REPRODUCTION OR MISUSE OF THIS DOCUMENT WITHOUT WRITTEN PERMISSION FROM GRANT HAYS ASSOCIATES IS PROHIBITED.



Michael F. Hays

REVISIONS

NEW ADDITION FOR
ALLAGASH BREWING CO.
50 INDUSTRIAL WAY PORTLAND, MAINE

GRANT HAYS ARCHITECTURE
INTERIOR DESIGN
P.O. BOX 6179 FALMOUTH, MAINE 04105
(207) 871-5900
(207) 871-9308

STAIRS
DRAWING TITLE

SCALE AS NOTED

DATE 7/25/2014

DRAWN BY SAM/MFH

JOB NO. 140560

DRAWING NO.

A-11