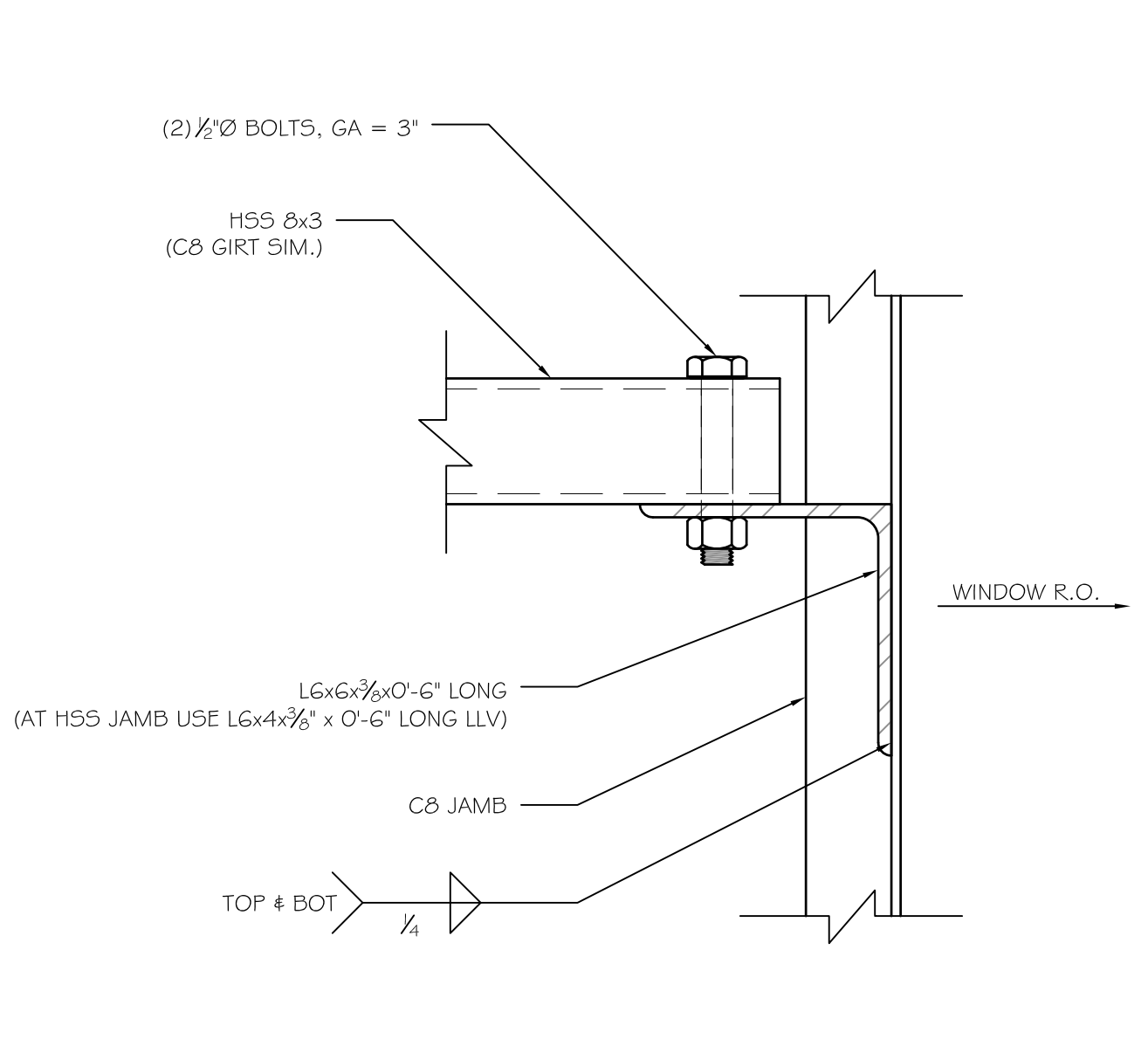
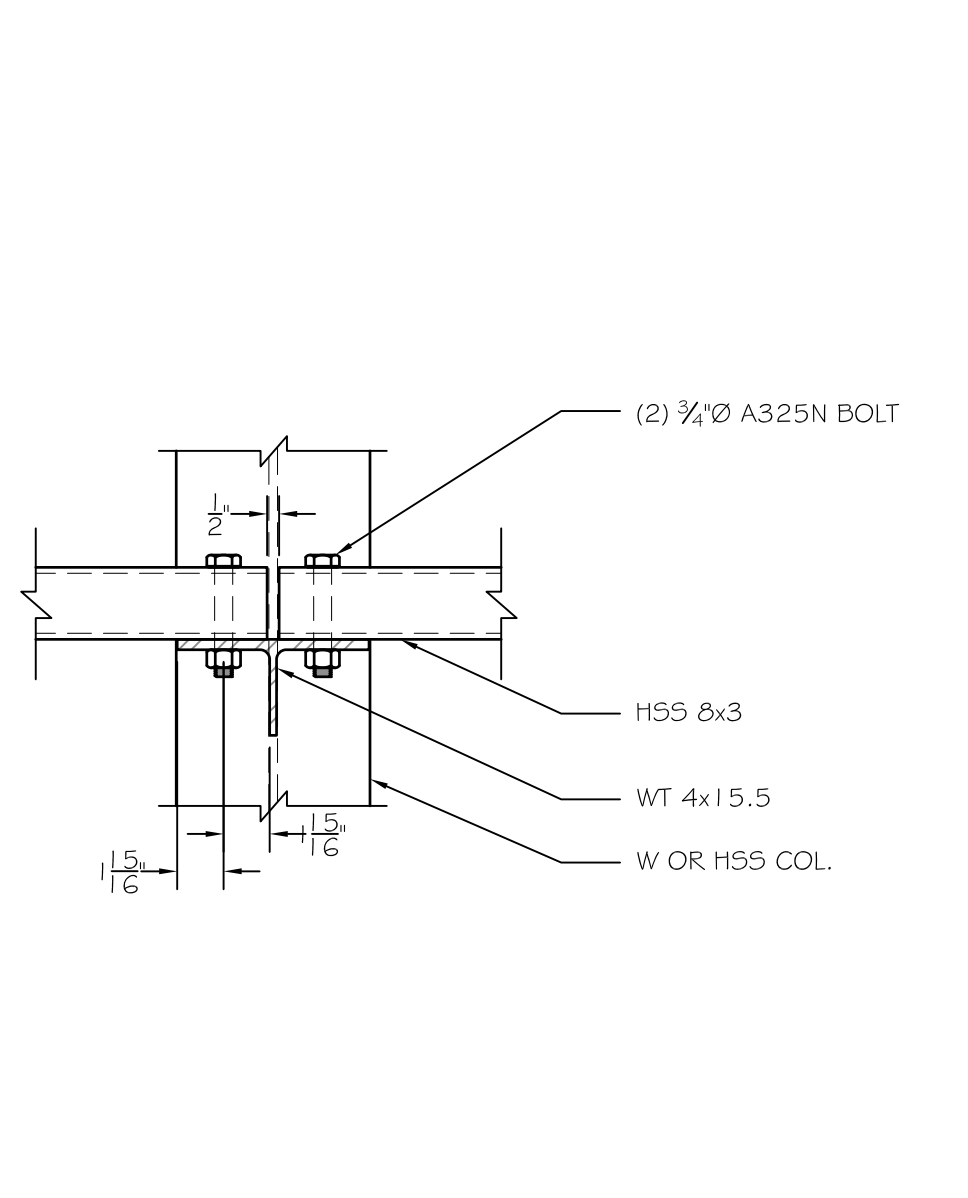


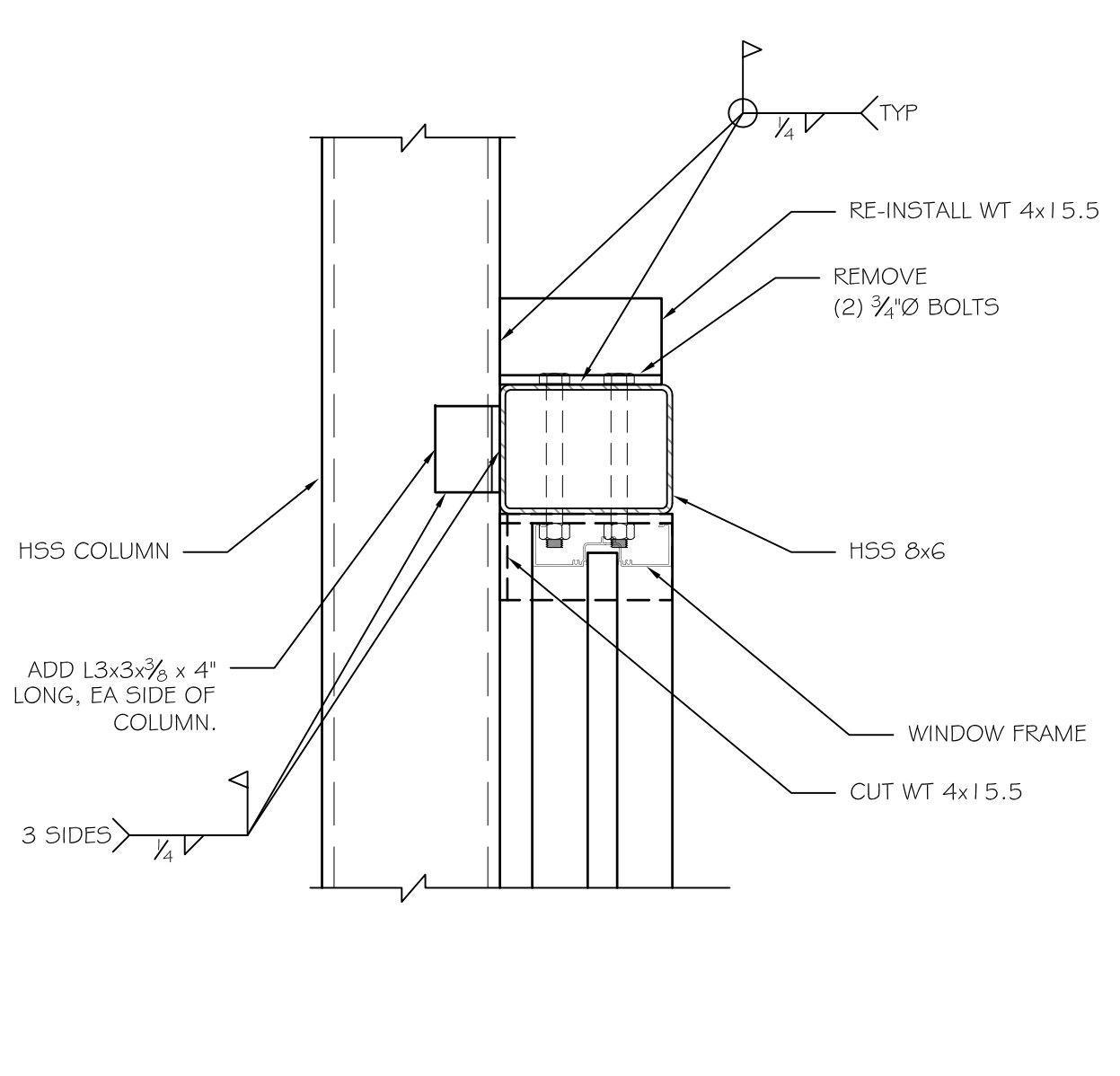
C4 CONNECTION DETAIL AT ROOF (PLAN)
SCALE: 1/2" = 1'-0"



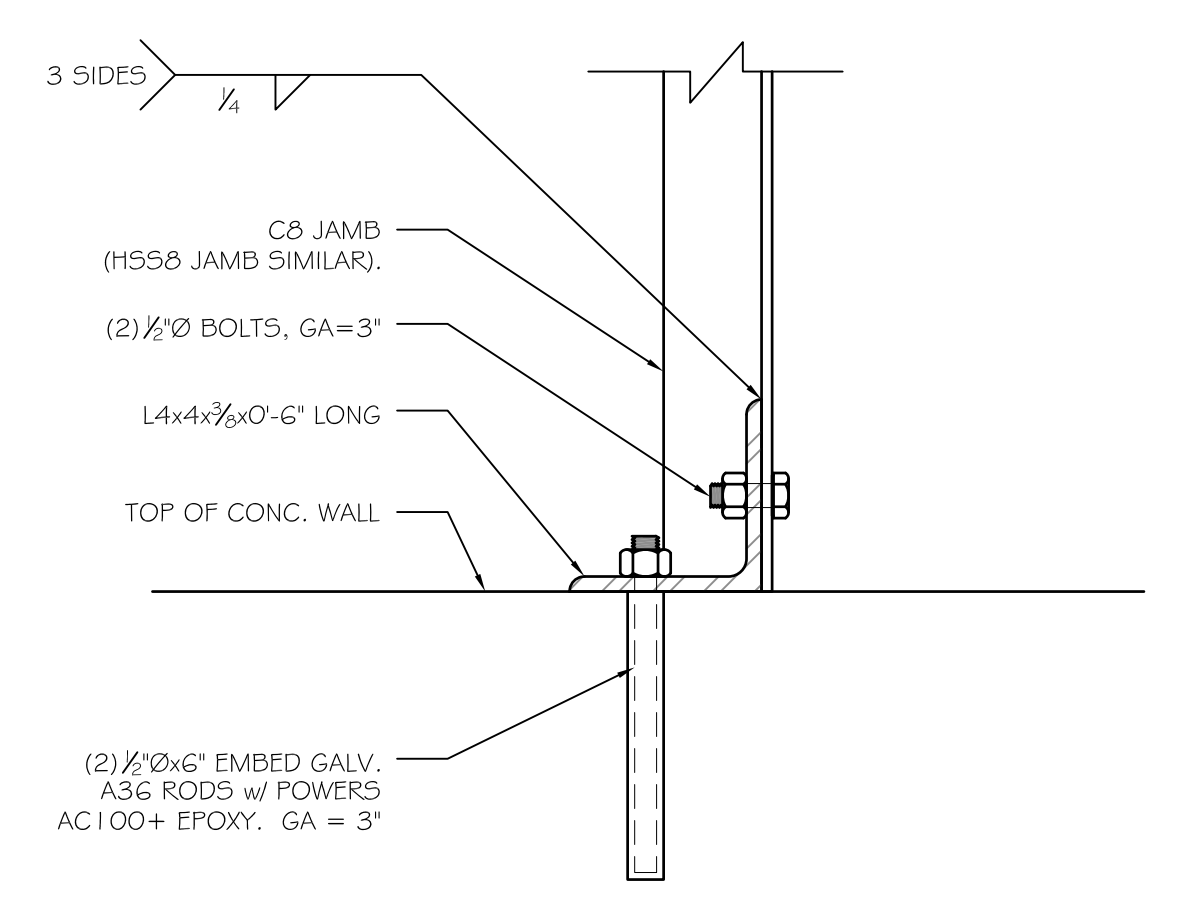
C3 WIND GIRT TO CHANNEL JAMB CONNECTION
SCALE: 3" = 1'-0"



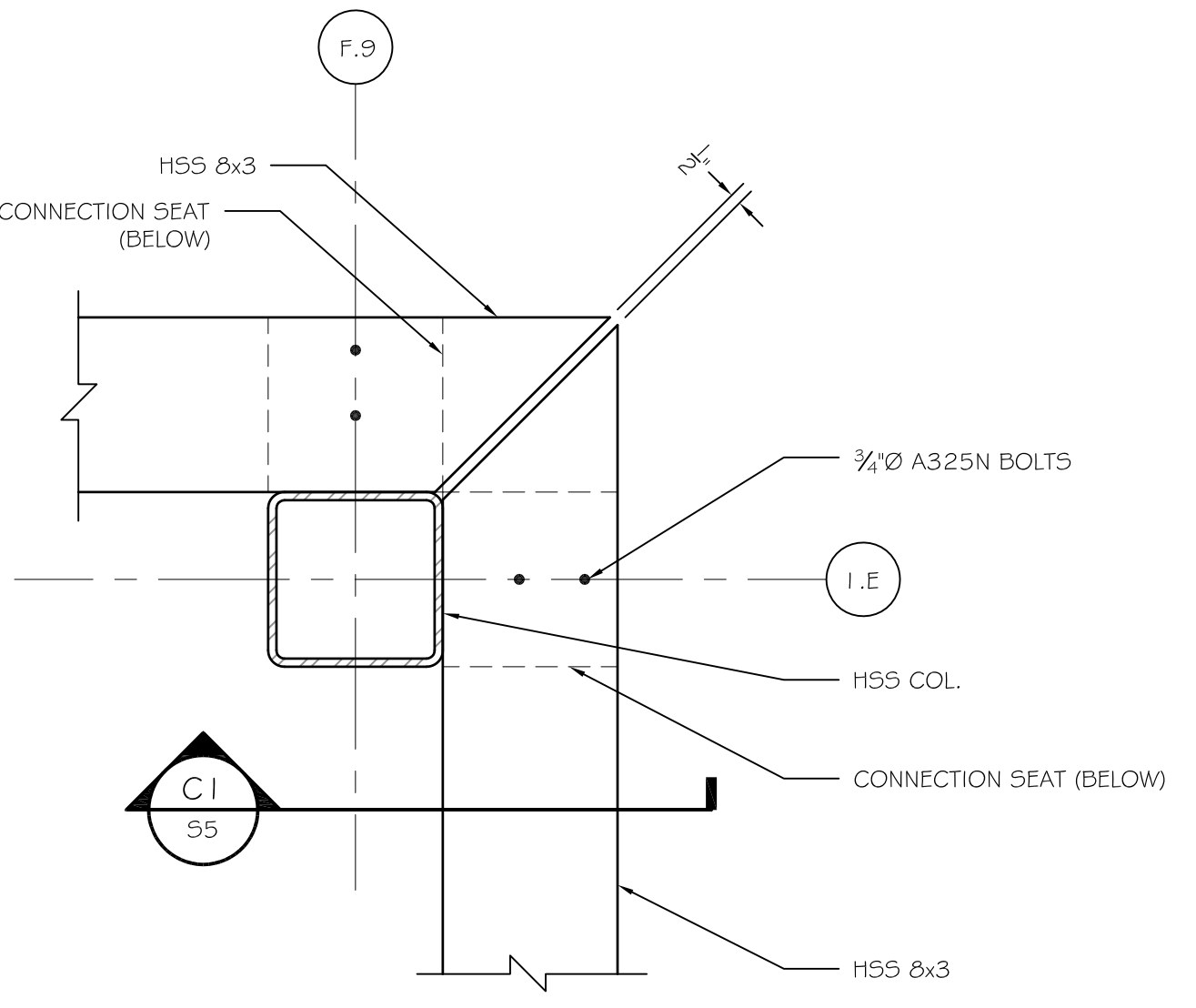
C2 H55 WIND GIRT CONNECTION
SCALE: 1" = 1'-0"



C1 H55 WIND GIRT CONNECTION SECTION
SCALE: 1" = 1'-0"



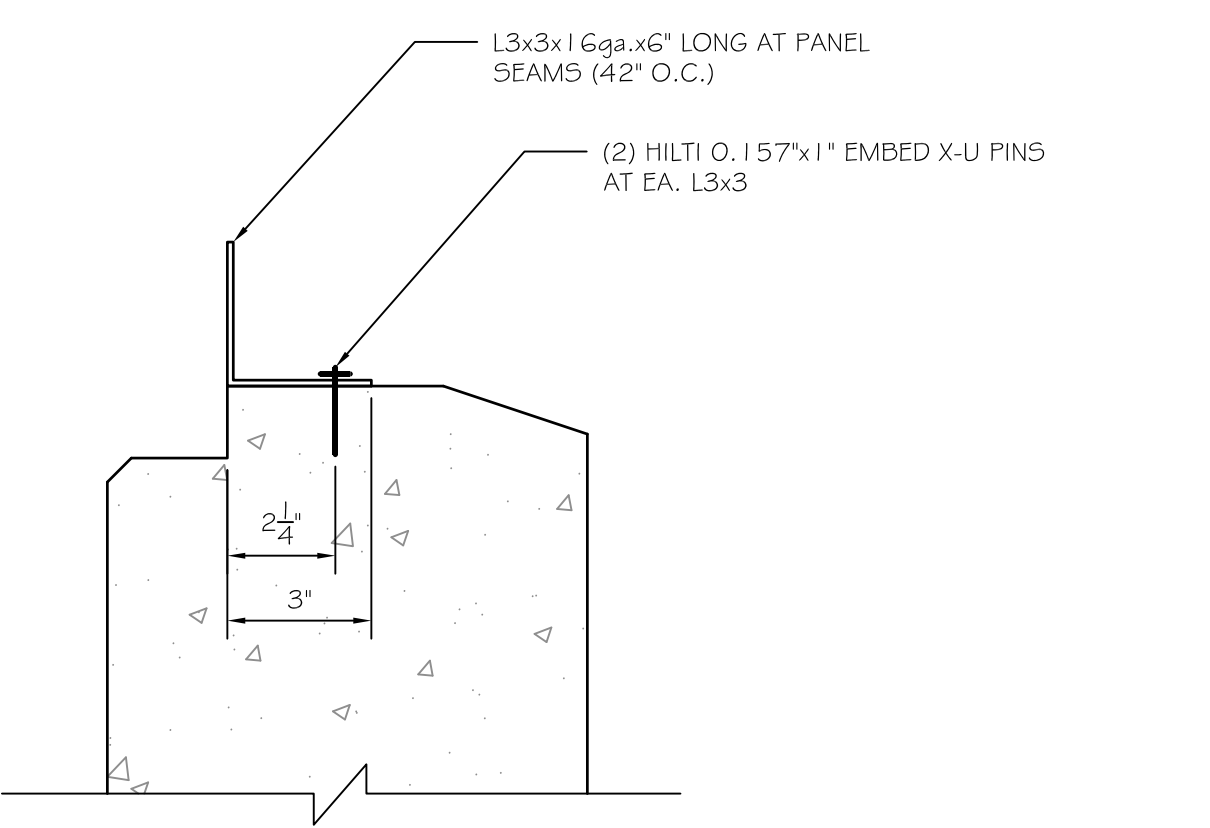
B2 CHANNEL JAMB TO CONCRETE
SCALE: 3" = 1'-0"



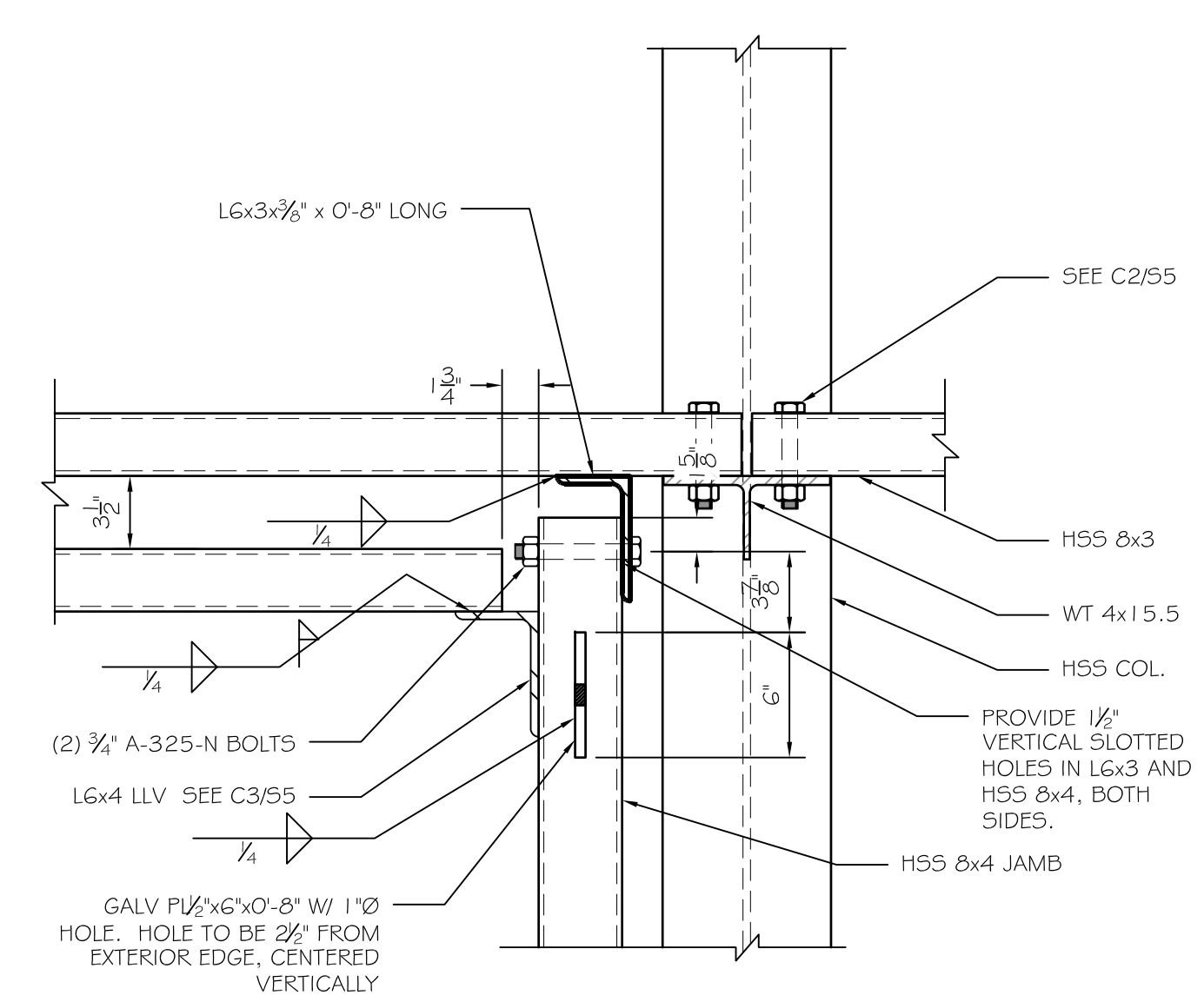
B1 GIRT CORNER CONNECTION DETAIL AT H55 COL
SCALE: 1/2" = 1'-0"

B4 CANOPY SUSPENSION ROD CONECTION
SCALE: NO SCALE

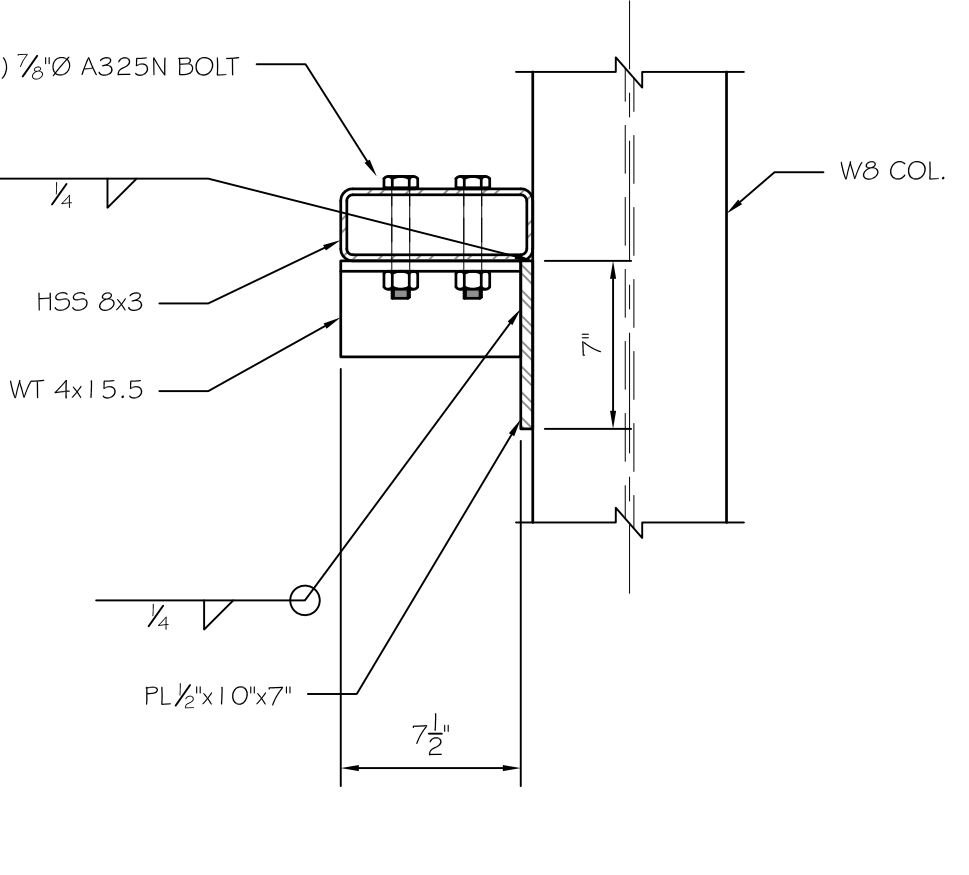
B3 CANOPY SUSPENSION ROD CONECTION
SCALE: NO SCALE



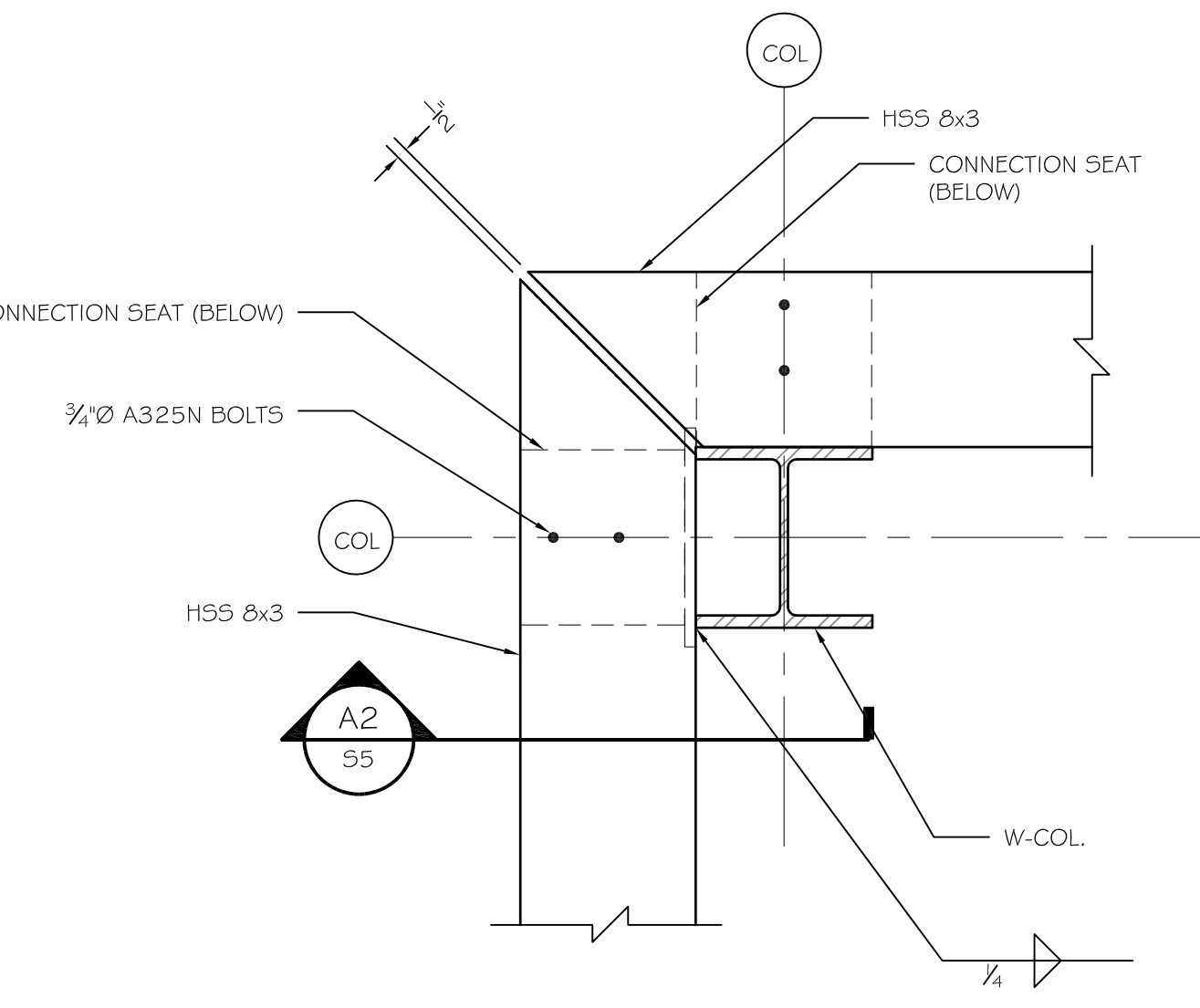
A4 WALL PANEL CLIP DETAIL
SCALE: 3" = 1'-0"



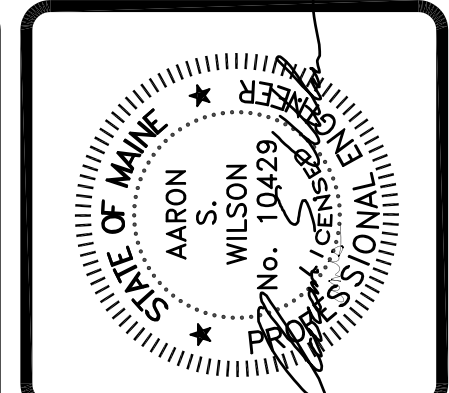
A3 GIRT CONNECTION AT REMOVABLE WALL PANEL
SCALE: 1/2" = 1'-0"



A2 GIRT CORNER CONNECTION SECTION
SCALE: 1/2" = 1'-0"



A1 GIRT CORNER CONNECTION DETAIL AT W-COL
SCALE: 1/2" = 1'-0"



ASSOCIATED DESIGN PARTNERS INC.
Office: (207) 878-1751
80 Leighton Road, Falmouth, Maine 04105
Fax: (207) 878-1788
E-Mail: adp@adpengineering.com

THIS DRAWING, DESIGN AND ELECTRONIC FILE ARE THE PROPERTY OF ASSOCIATED DESIGN PARTNERS, INC. THE REPRODUCTION, COPYING OR ANY OTHER USE OF THIS DOCUMENT WITHOUT WRITTEN CONSENT IS PROHIBITED.

PROJECT: **ALLAGASH 2015 EXPANSION**
100 INDUSTRIAL WAY, PORTLAND ME
FOR: ALLAGASH BREWING CO.
SHEET TITLE: **FRAMING DETAILS ISSUED FOR PERMITTING**

NO.	BY	DESCRIPTION	DATE

DATE : 7/25/14
SCALE : AS NOTED
DESIGN BY: ASW
DRAWN BY: RSC
PROJECT NUMBER: **14064**
SHEET NO: **36**