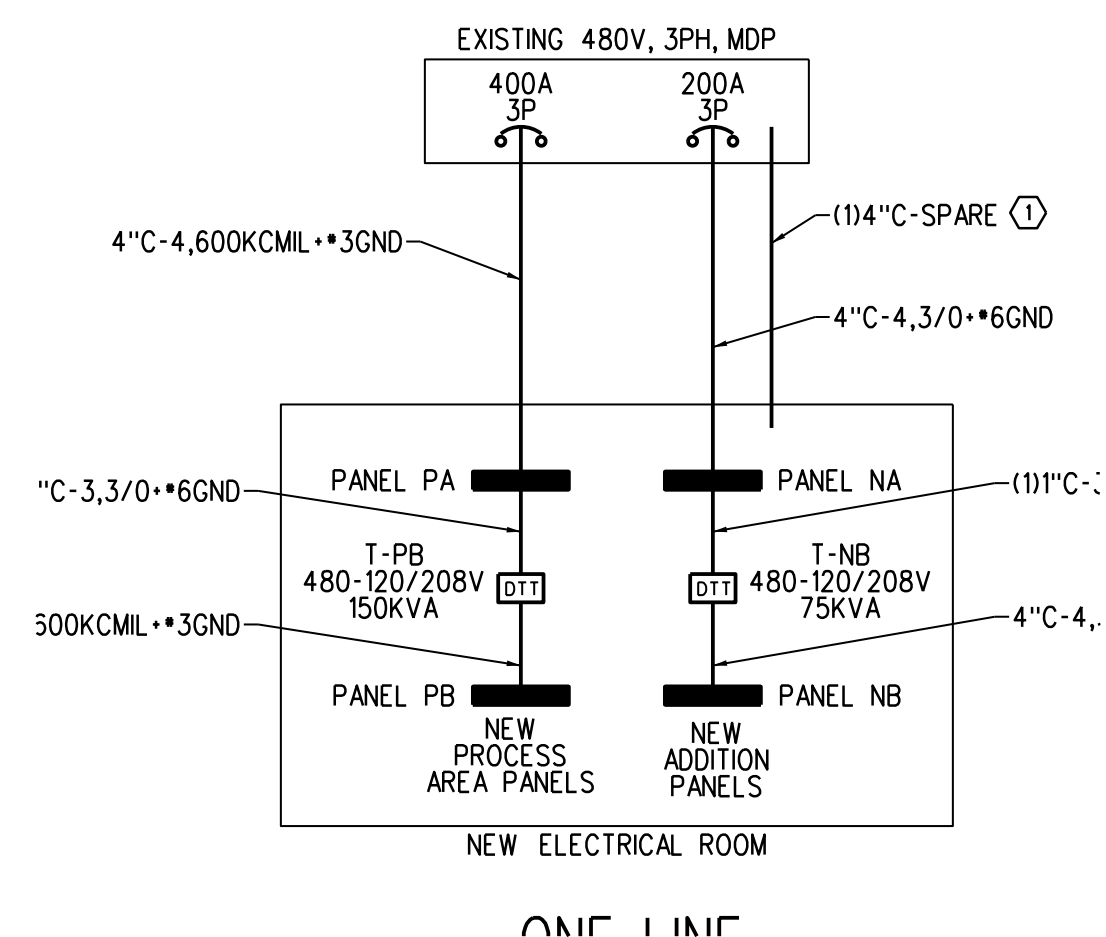
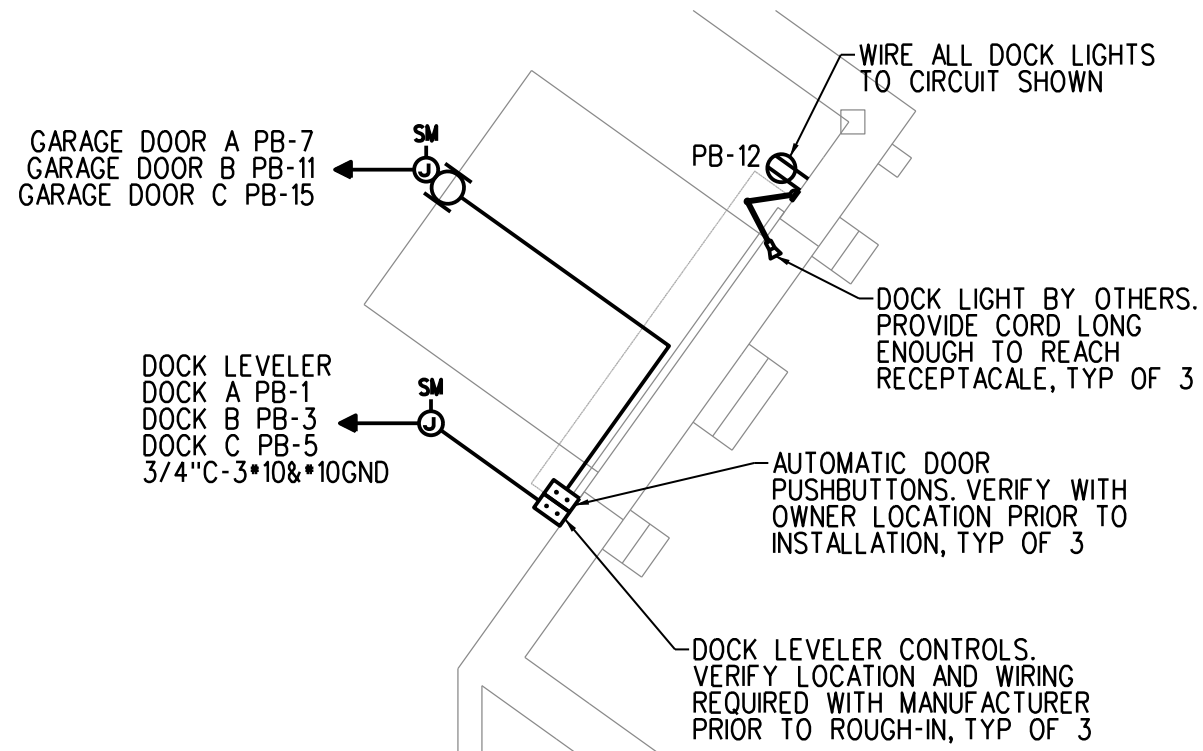


PARTIAL PLAN
SCALE: 1/4"=1'-0"



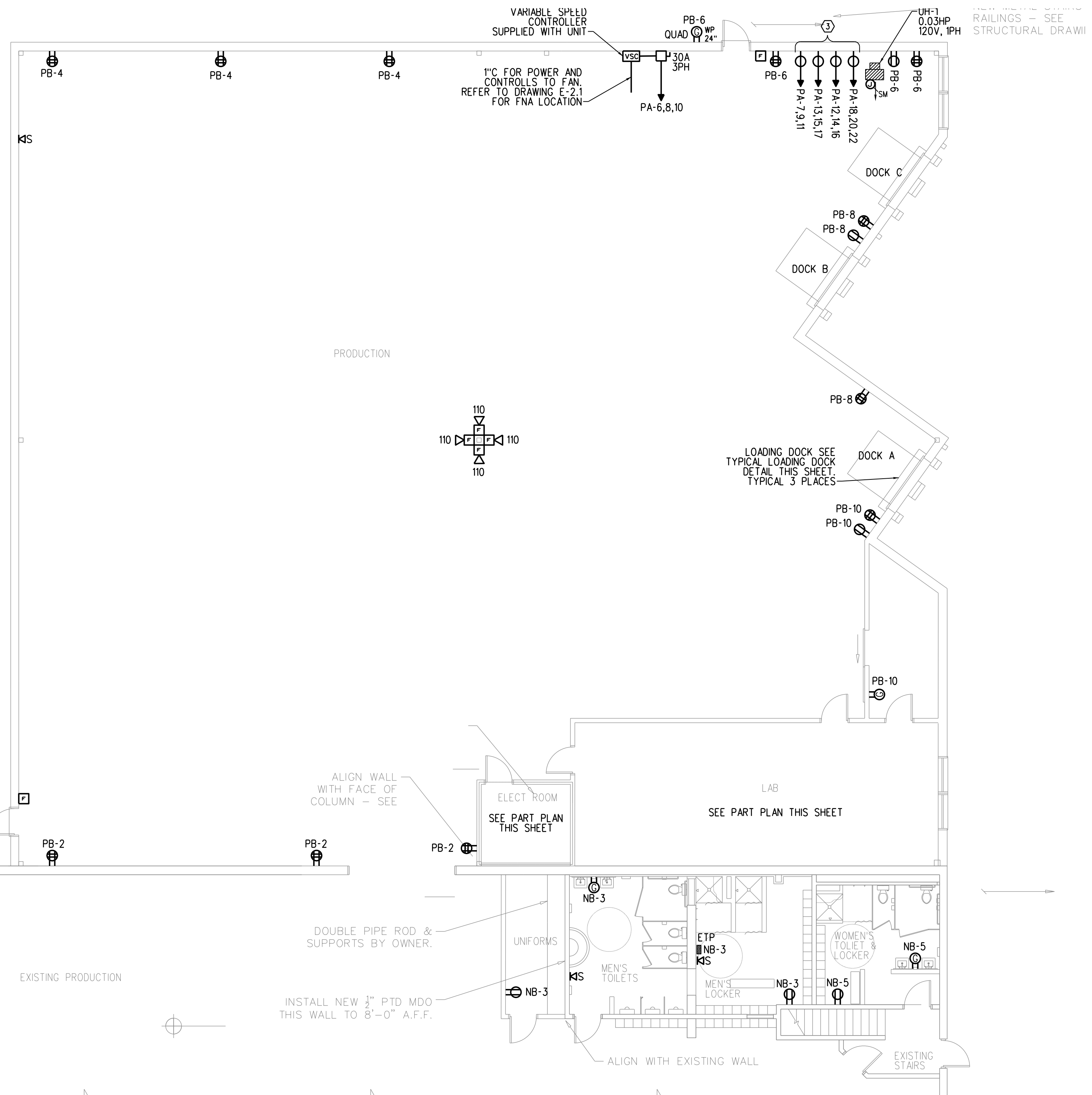
ONE LINE



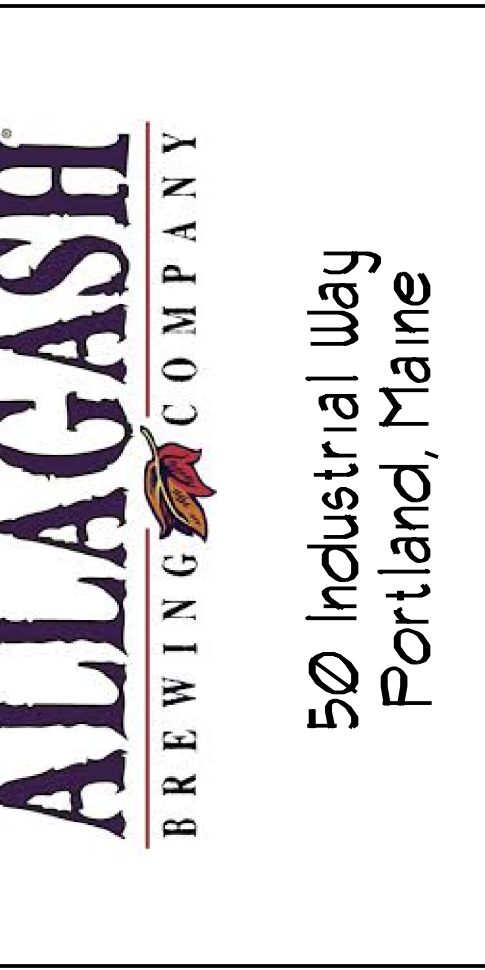
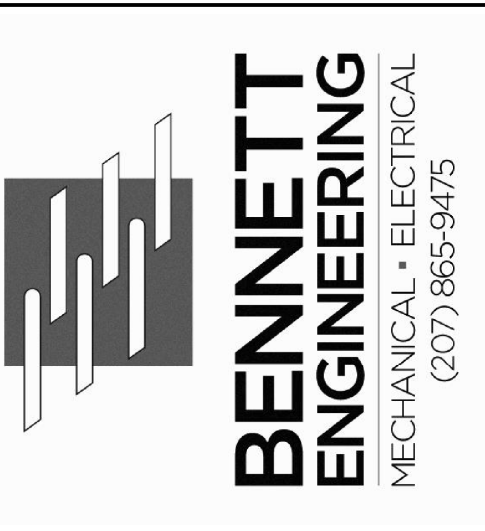
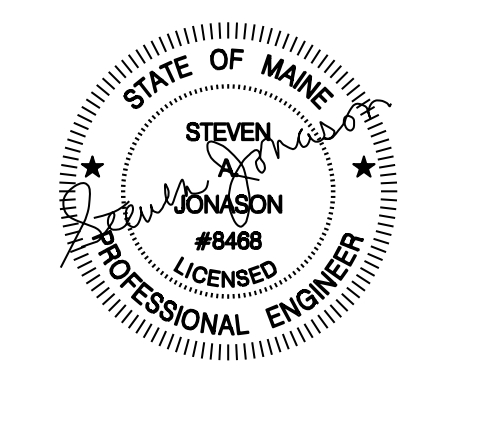
TYPICAL LOADING DOCK PLAN
SCALE: 1/4"=1'-0"

KEY WORK NOTES

- ① PROVIDE QTY (1) 4" PVC CONDUIT EMPTY WITH PULLSTRING FROM EXISTING ELECTRICAL ROOM, STUB BOTH ENDS AND MAKE WATER TIGHT. COORDINATE LOCATION WITH ARCHITECT AND OWNER PRIOR TO ROUGH-IN.
- ② CONTRACTOR SHALL WIRE NO MORE THAN SIX FEET OF PLUG-MOLD PER 20 AMP CIRCUIT BREAKER. COORDINATE LOCATIONS AND LENGTH WITH ARCHITECTURAL CASEWORK AND OWNER PRIOR TO ROUGH-IN.
- ③ FORKLIFT CHARGING STATIONS, COORDINATE LOCATION AND RECEPTACLE TYPE WITH OWNER PRIOR TO ROUGH-IN.



FIRST FLOOR POWER PLAN
SCALE: 1/8"=1'-0"



ALLAGASH BREWING CO.
BOTTLING AREA ADDITION
Portland, Maine
FIRST FLOOR POWER PLAN

Date Drawn -	7/7/14
Drawn By -	
Revised -	PERMIT 07/25/14
Project #	3588
Scale -	AS NOTED
Sheet Number -	E2.0