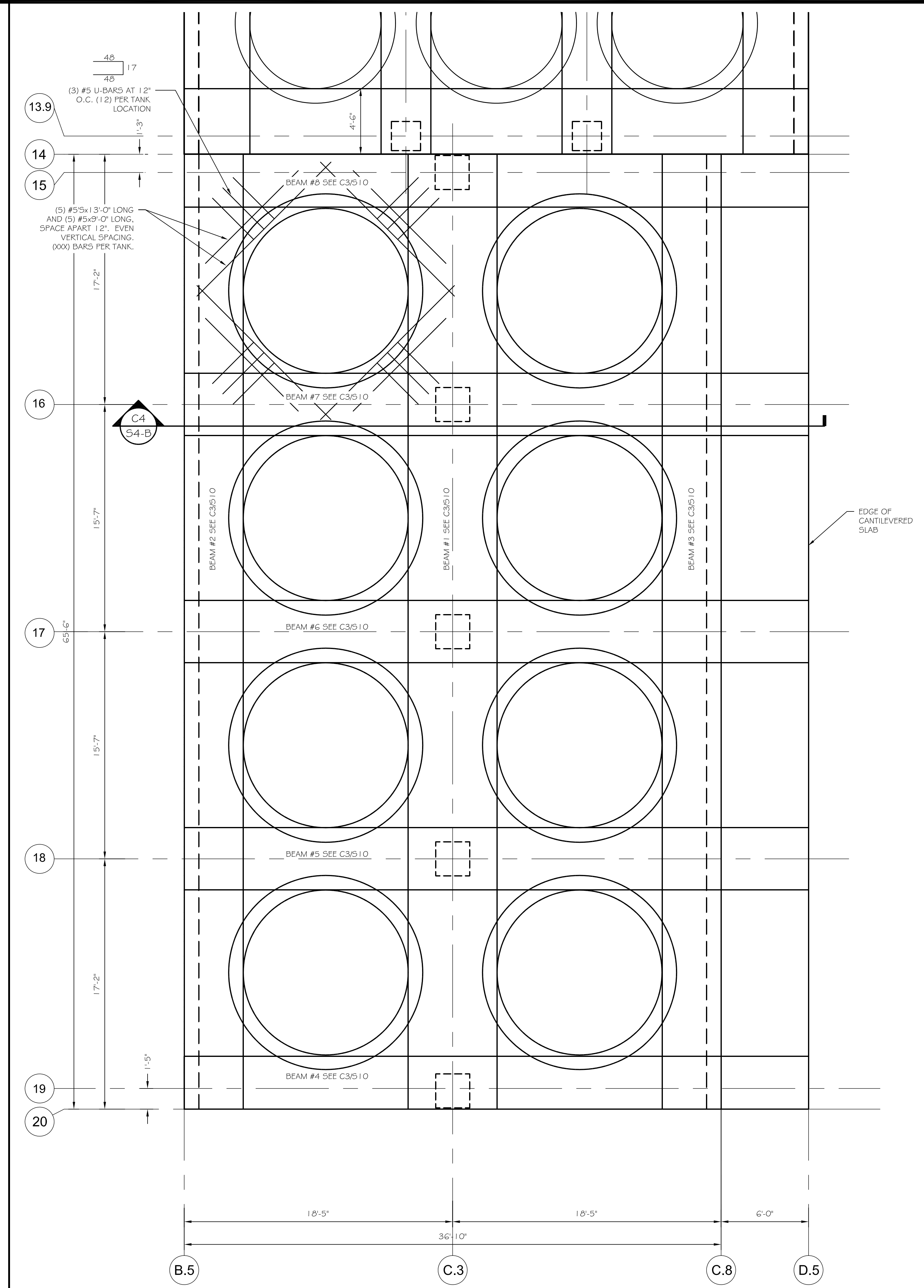
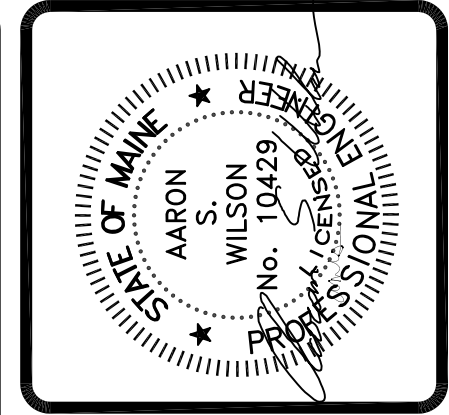


**A2** ROOF SLAB PLAN  
SCALE: 1/4" = 1'-0"



**A1** ROOF BEAM PLAN  
1/4" = 1'-0"



**ASSOCIATED DESIGN PARTNERS INC.**  
Office: (207) 878-1751  
80 Leighton Road, Falmouth, Maine 04105  
Fax: (207) 878-1788  
E-Mail: [adp@adpengineering.com](mailto:adp@adpengineering.com)

THIS DRAWING, DESIGN AND ELECTRONIC FILE ARE THE PROPERTY OF ASSOCIATED DESIGN PARTNERS, INC. THE REPRODUCTION, COPYING OR ANY OTHER USE OF THIS DOCUMENT WITHOUT WRITTEN CONSENT IS PROHIBITED.

PROJECT: **ALLAGASH BREWERY FERMENTATION TANK STRUCTURE #3**  
FOR: ALLAGASH BREWING CO., 50 INDUSTRIAL WAY, PORTLAND ME  
SHEET TITLE: **ROOF SLAB PLANS ISSUED FOR PERMITTING**

NO.	BY	DESCRIPTION	DATE
1	ASW		
2			
3			
4			

DATE: 7-7-14  
SCALE: AS NOTED  
DESIGN BY: ASW  
DRAWN BY: RSC  
PROJECT NUMBER: **13209**  
SHEET NO: **S2-B**