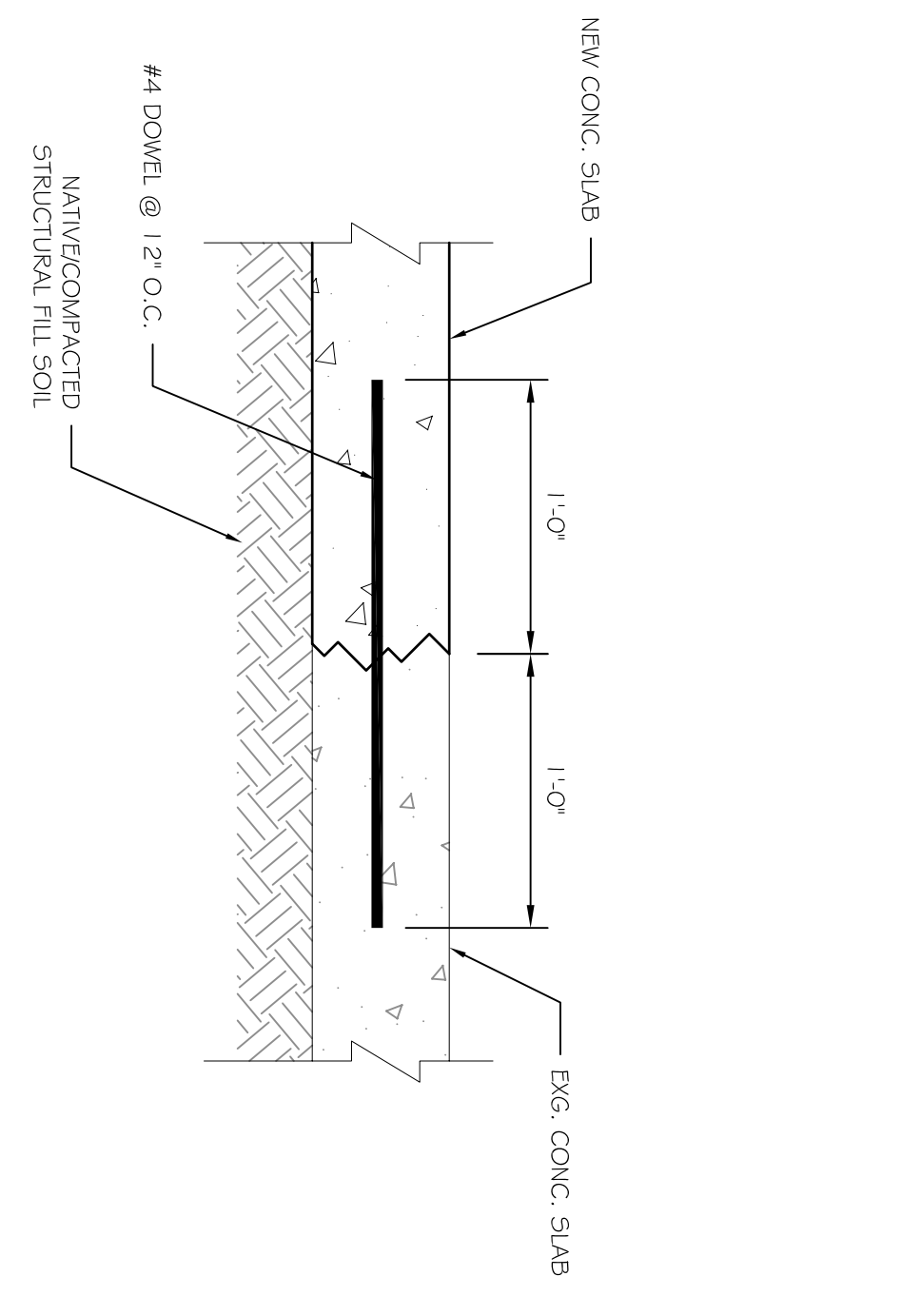
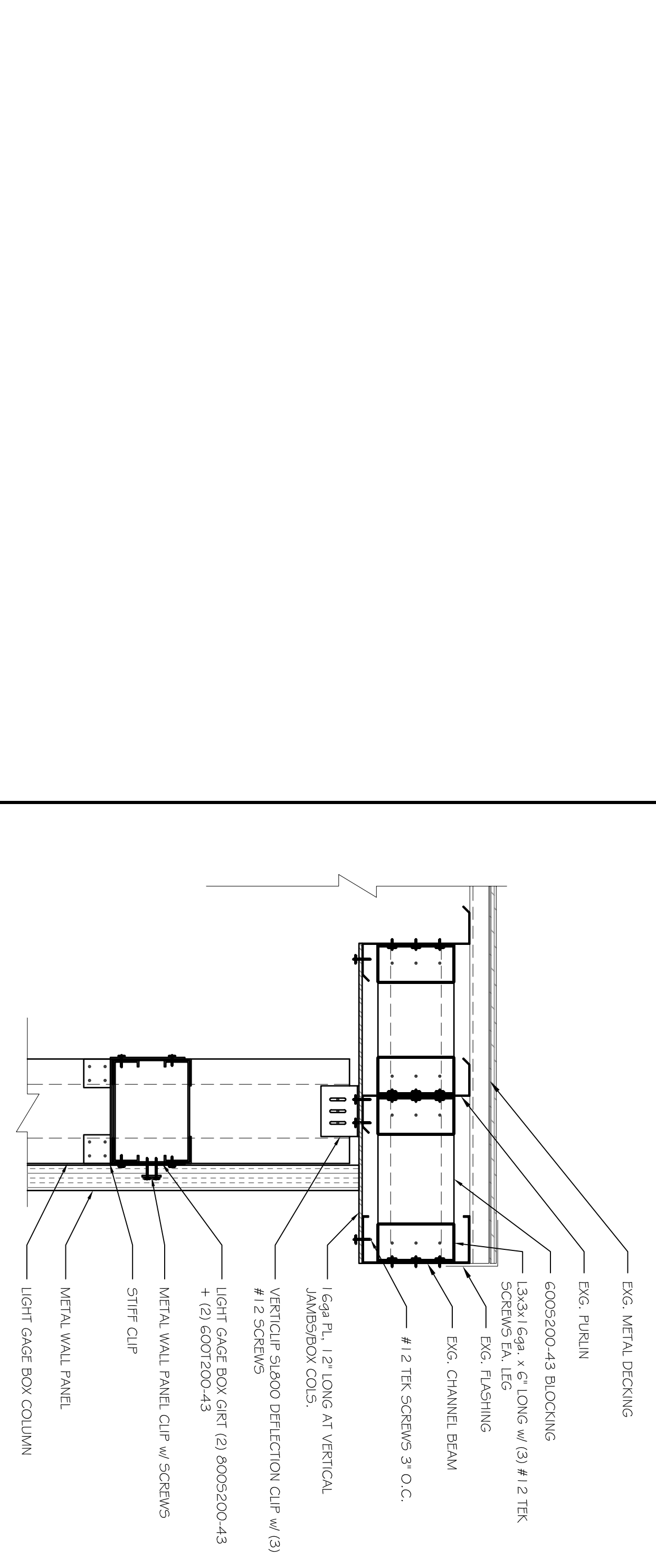


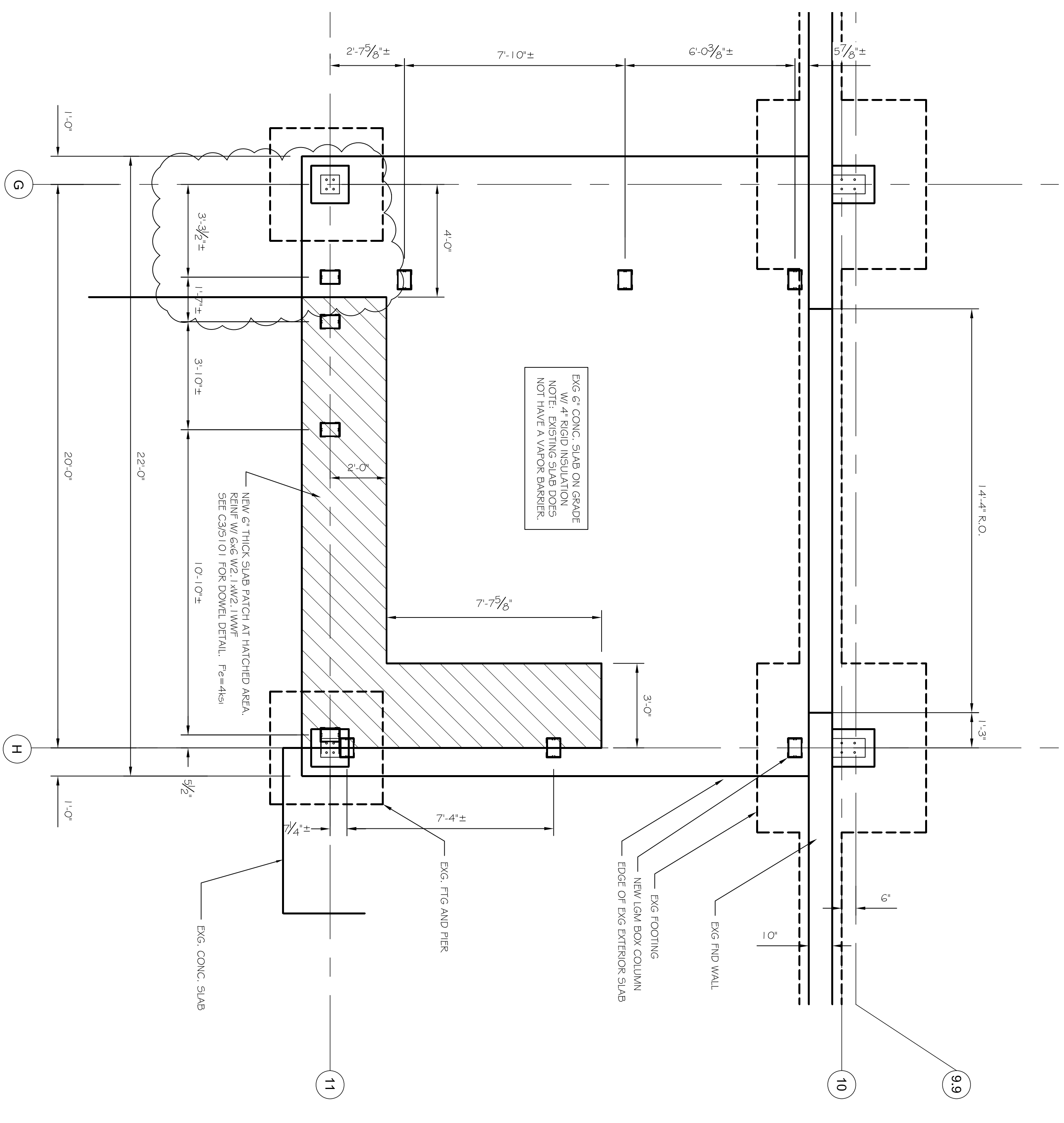
C4 L.G. COLUMN / GIRT DETAIL
SCALE: 6" = 1'-0"



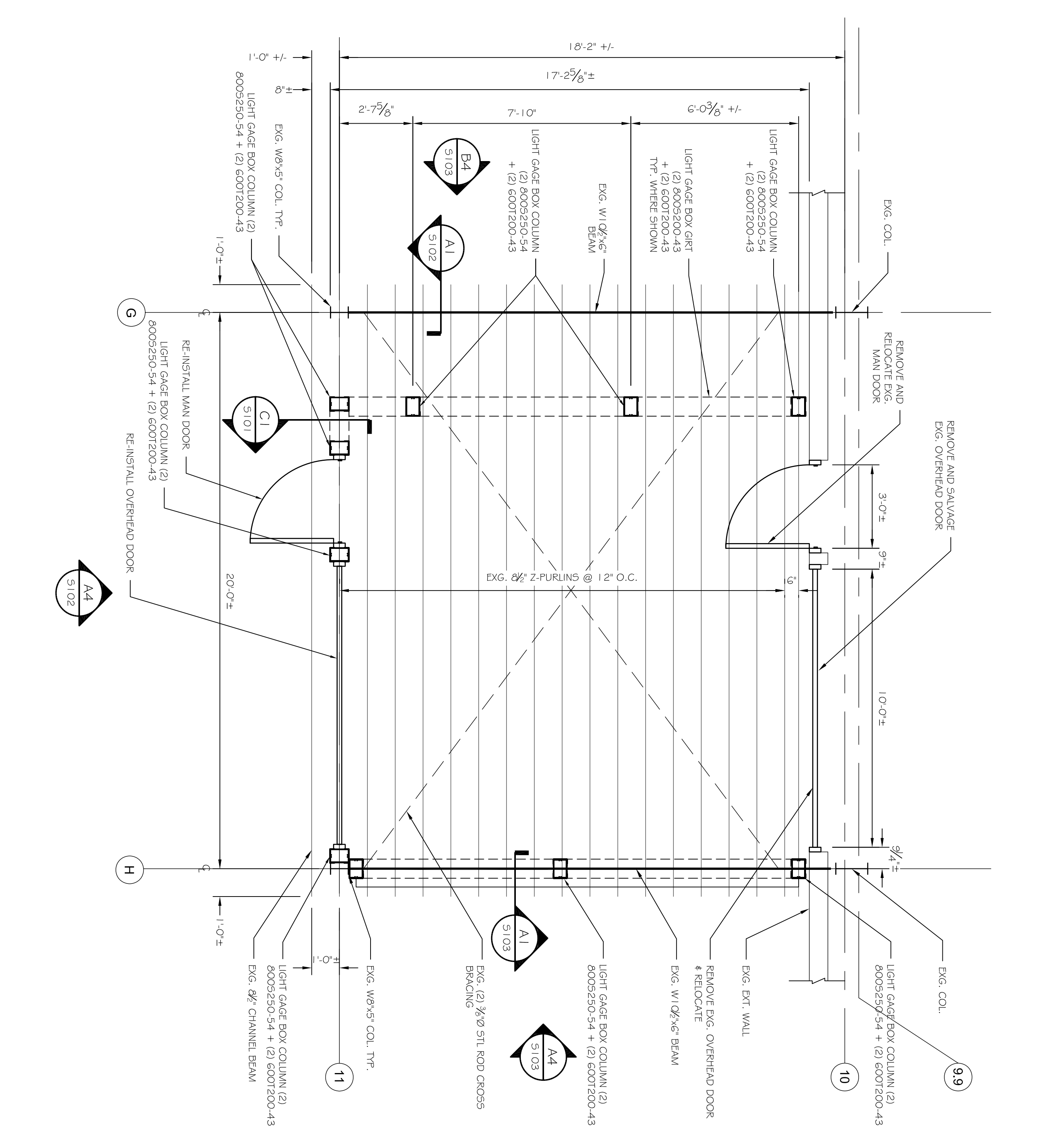
C3 SLAB PATCH DETAIL
SCALE: 1-1/2" = 1'-0"



C2 SECTION
SCALE: 1-1/2" = 1'-0"



A4 EXG. FOUNDATION PLAN
SCALE: 3/8" = 1'-0"



A2 EXG. CANOPY ROOF FRAMING PLAN
SCALE: 3/8" = 1'-0"

REVISIONS		DATE
No.	BY	DESCRIPTION

PROJECT: **ALLAGASH BOILER ROOM**
INDUSTRIAL WAY, PORTLAND, MAINE
 FOR: ALLAGASH BREWING CO.

SHEET TITLE:
PLANS AND DETAILS
ISSUED FOR CONSTRUCTION

THIS DRAWING, DESIGN AND ELECTRONIC FILE ARE THE PROPERTY OF ASSOCIATED DESIGN PARTNERS, INC. NO PART OF THIS DRAWING OR OTHER USE OF THIS DOCUMENT WITHOUT WRITTEN CONSENT IS PROHIBITED.

ASSOCIATED DESIGN PARTNERS INC.

80 Leighton Road
 Falmouth, Maine 04105

Office: (207) 878-1751
 Fax: (207) 878-1788
 E-Mail: adp@adpengineering.com



DATE: 3-29-13
 SCALE: AS NOTED
 DESIGN BY: ASW
 DRAWN BY: RSC
 FILE #: 106131-S101
 PROJECT NUMBER:
13036
 SHEET NO.:
S101