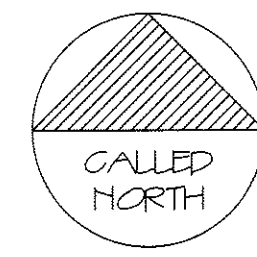
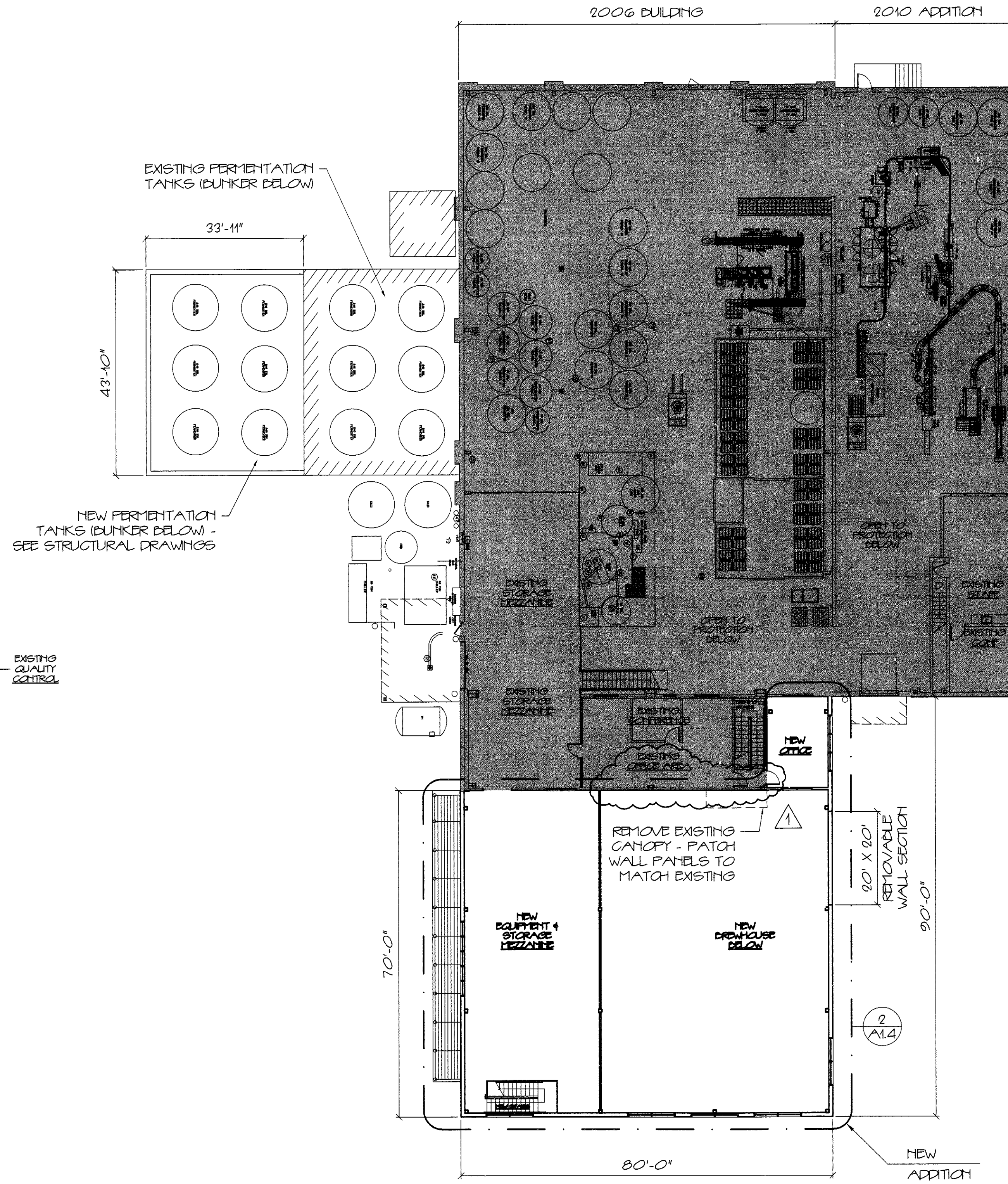


FIRST FLOOR FACILITY PLAN

SCALE: 1/16" = 1'-0"

- EXISTING BUILDING - 16,900 SF.
- NEW ADDITION - 5,900 SF.
- TOTAL AREA = 22,800 SF.



SECOND FLOOR FACILITY PLAN

SCALE: 1/16" = 1'-0"

- EXISTING BUILDING - 3,656 SF.
- NEW ADDITION - 2,400 SF.
- TOTAL AREA = 6,056 SF.

G R A N T H A Y S A S S O C I A T E S

ARCHITECTURE
INTERIOR DESIGN
P.O. BOX 6179 FALMOUTH, MAINE 04105
(207) 871-6900
(207) 871-9308

NEW ADDITION FOR
ALLAGASH BREWING CO.
50 INDUSTRIAL WAY PORTLAND, MAINE

ARCHITECT
MICHAEL F. HAYS
No. 1724
STATE OF MAINE

REVISIONS

1 11/1/12 SUPERCEDES PREVIOUS ISSUES

JOB TITLE

DRAWING TITLE

SCALE 1/16" = 1'-0"

DATE 10 SEPT. 12

DRAWN BY SAM/TFH

JOB NO. 120701

DRAWING NO.

A1.1

2009 INTERNATIONAL BUILDING CODE

(X) DENOTES IF BUILDING IS FULLY SPRINKLED
USE GROUP CLASSIFICATION

CONSTRUCTION TYPE
OCCUPANT LOADS

AREA USE SEPARATION RATINGS
JANITOR MECH & STORAGE ROOMS

BUILDING LIMITATIONS
CONSTRUCTION TYPE
MAXIMUM HEIGHT
ACTUAL AREA/FLOOR
MAXIMUM AREA/FLOOR

FIRE RESISTANCE RATINGS
LOAD BEARING EXTERIOR WALLS
FIRE SEPARATION EXITS (STAIRS)
FIRE SEPARATION OF USES
SHAFTS & ELEVATOR HOISTWAYS
OTHER ASSEMBLIES
EXIT CORRIDORS
MINIMUM NUMBER OF EXITS

MAXIMUM DEAD END CORRIDOR LENGTH
MAXIMUM CORNER TRAVEL PATH
MAXIMUM TRAVEL DISTANCE
MINIMUM CORRIDOR WIDTH
MINIMUM STAIR WIDTH
MAXIMUM RISER HEIGHT
MINIMUM TREAD DEPTH
MINIMUM RAMP WIDTH
MAXIMUM RAMP PITCH
HANDRAILS
MINIMUM CEILING HEIGHT
FIRE ALARM SYSTEM
FIRE SPRINKLER SYSTEM
PORTABLE FIRE EXTINGUISHERS
EXIT LIGHTING
EMERGENCY LIGHTING

BUILDING LIVE LOADS
OFFICE
LOBBIES
CORRIDORS
STORAGE

NFPA 101 LIFE SAFETY CODE - 2009 EDITION

BUILDING CLASSIFICATION
EXISTING INDUSTRIAL (ANNUAL BUSINESS) - SPECIAL PURPOSE
NEW ADDITION - INDUSTRIAL (ANNUAL MERCHANTILE) - SPECIAL PURPOSE
TOTAL FIRST FLOOR AREA = 22,856 SF
TOTAL SECOND FLOOR AREA = 3,058 SF
TOTAL MEZZANINE FLOOR AREA = 3,000 SF (13,421)

BUILDING TOTAL FLOOR AREA = 28,856 SF
ORDINARY HAZARD
TYPE II (200)

HAZARD CLASSIFICATION
CONSTRUCTION TYPE
OCCUPANT LOADS

SEPARATION OF USE RATINGS
JANITOR MECH. STOR. RATINGS
STAIR RATINGS
ELEVATORS SHAFTS
AREA OF REFUGE
MINIMUM STAIR WIDTH
MAXIMUM RISER HEIGHT
MINIMUM TREAD WIDTH
MINIMUM HEADROOM
MAXIMUM HT BETWEEN LANDINGS
HANDRAIL HEIGHT
HANDRAIL TOP EXTENSION
HANDRAIL BOTTOM EXTENSION
HANDRAIL DIAMETER
MAXIMUM DALLUSTER OPEN SPACE

BUILDING USES
(X) DENOTES IF BUILDING IS FULLY SPRINKLED

	INDUSTRIAL	BUSINESS
MAX ALLOWABLE TRAVEL DISTANCE	200' (250')	200' (300')
MAX ALLOWABLE CORNER PATH	50' (100')	75' (100')
MAX DEAD END CORRIDOR WIDTH	50'	20' (50')
MINIMUM BORESS CORRIDOR WIDTH	44" 3/8" IF 50 OCC.	44"
MINIMUM NUMBER OF REQUIRED EXITS	2	2
MINIMUM HORIZ. BORESS ENCLOSURE RATINGS	1 HR (NONE)	3/2"
MINIMUM SEPARATION OF EXITS	75' (50')	32"
FIRE ESCAPES AS MEANS OF BORESS	ALLOWED (N/A)	ALLOWED (N/A)
MINIMUM BORESS DOOR WIDTH	32"	32"
EXIT LIGHTING	REQUIRED	REQUIRED
EMERGENCY LIGHTING	REQUIRED	REQUIRED
FIRE ALARM SYSTEM	REQUIRED	NOT REQUIRED
FIRE SPRINKLER SYSTEM	NOT REQUIRED	NOT REQUIRED
PORTABLE FIRE EXTINGUISHERS	REQUIRED	REQUIRED
EXIT DEVICE/PANIC HARDWARE	REQUIRED	REQUIRED

MAINE STATE PLUMBING CODE/UPC

OCCUPANT CLASSIFICATION	FACTORY & ANNUAL BUSINESS/MERCHANTILE
OCCUPANT AREA	28,856 SF
OCCUPANT LOAD	242 (158 ACTUAL)

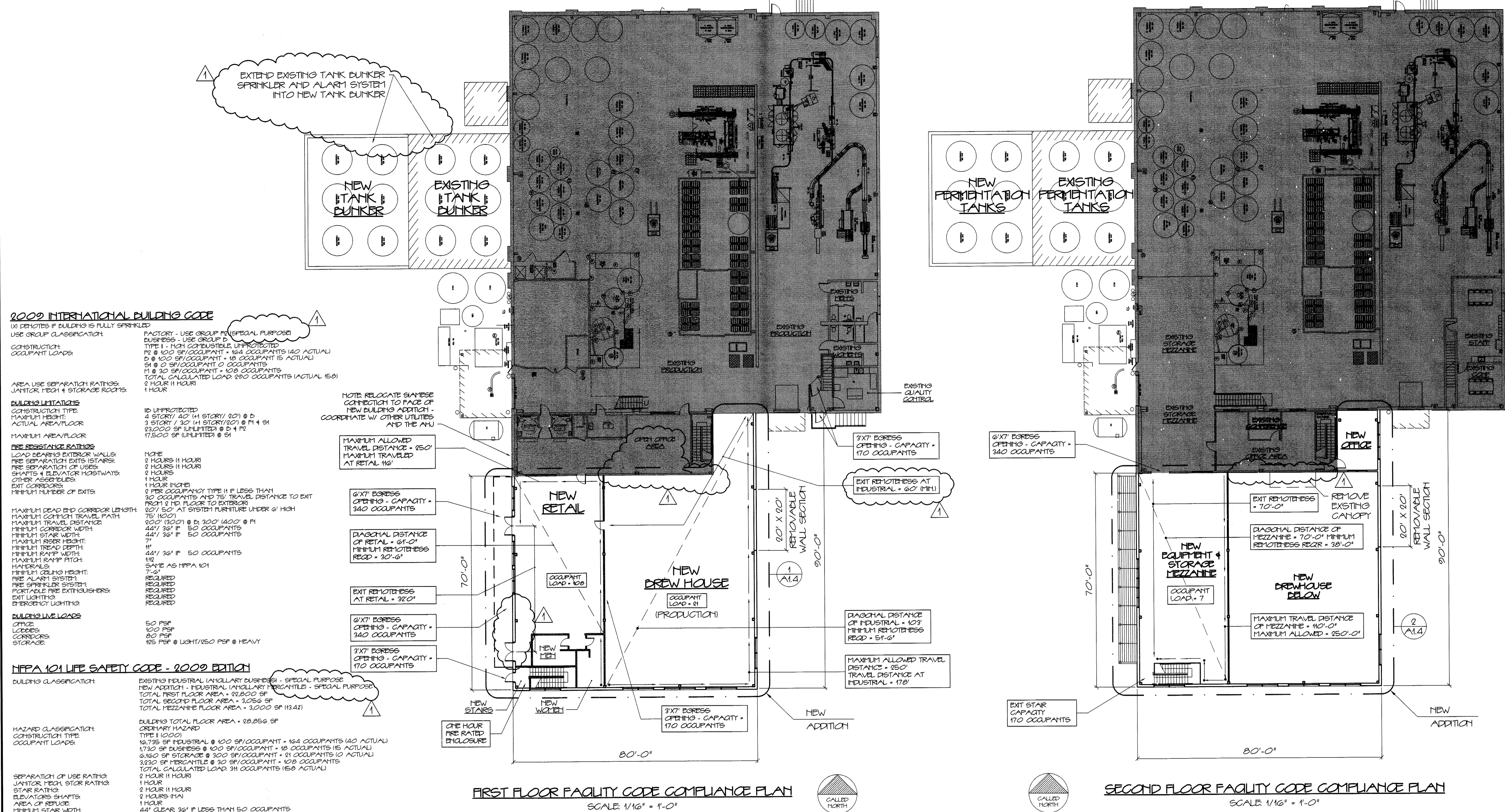
FACTORY:	50 OCCUPANTS - 25 MALE/25 FEMALE (H) INDICATES EXISTING COUNT
FIXTURES	TOILETS URINALS LAVES SHOWERS
MEH	(3) 2 (1) 1 (3) 2 (1) 1
WOMEN	(3) 2 (1) 0 (3) 2 (1) 1
DRINKING FOUNTAIN	1/50 OCCUPANTS

MERCHANTILE:	108 OCCUPANTS (54 MALE/54 FEMALE)
FIXTURES	TOILETS URINALS LAVES SHOWERS
MEH	2 1 1 NR
WOMEN	2 0 1 NR

MUEBC (MAINE UNIFORM BUILDING ENERGY CODE) MINIMUM INSULATION VALUES

PER 2009 ECG, TABLE 5.02.12, 5.02.2(1) AND 5.02.3

ZONE 6A	R-VALUE	U-FACTOR	SHGC
EXTERIOR WALL	18.5	0.054	NA
ROOF (NO GLI)	31.04	0.049	NA
ROOF (ADOVE DECK)	20.0	0.048	NA
GLAZ (24" BARI)	15.0	0.052	NA
FROST WALL	7.5	0.133	NA
DOORS - OPAQUE	2.0	0.50	NA
DOORS - GLAZED	1.25	0.80	NR
WINDOWS	2.5	0.75	NR
STORAGE	2.2	0.45	NR

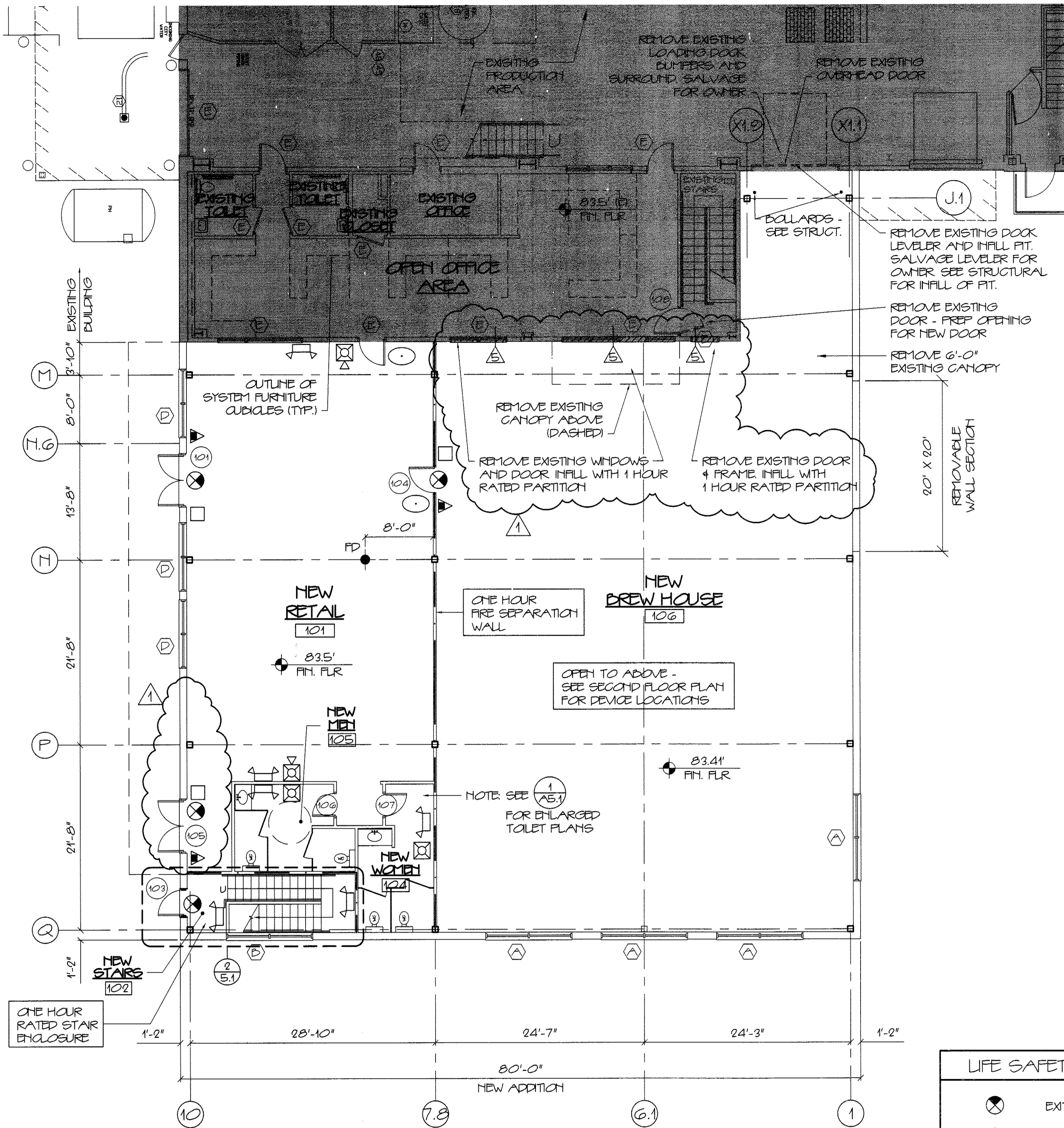


FIRST FLOOR FACILITY CODE COMPLIANCE PLAN
SCALE: 1/16" = 1'-0"

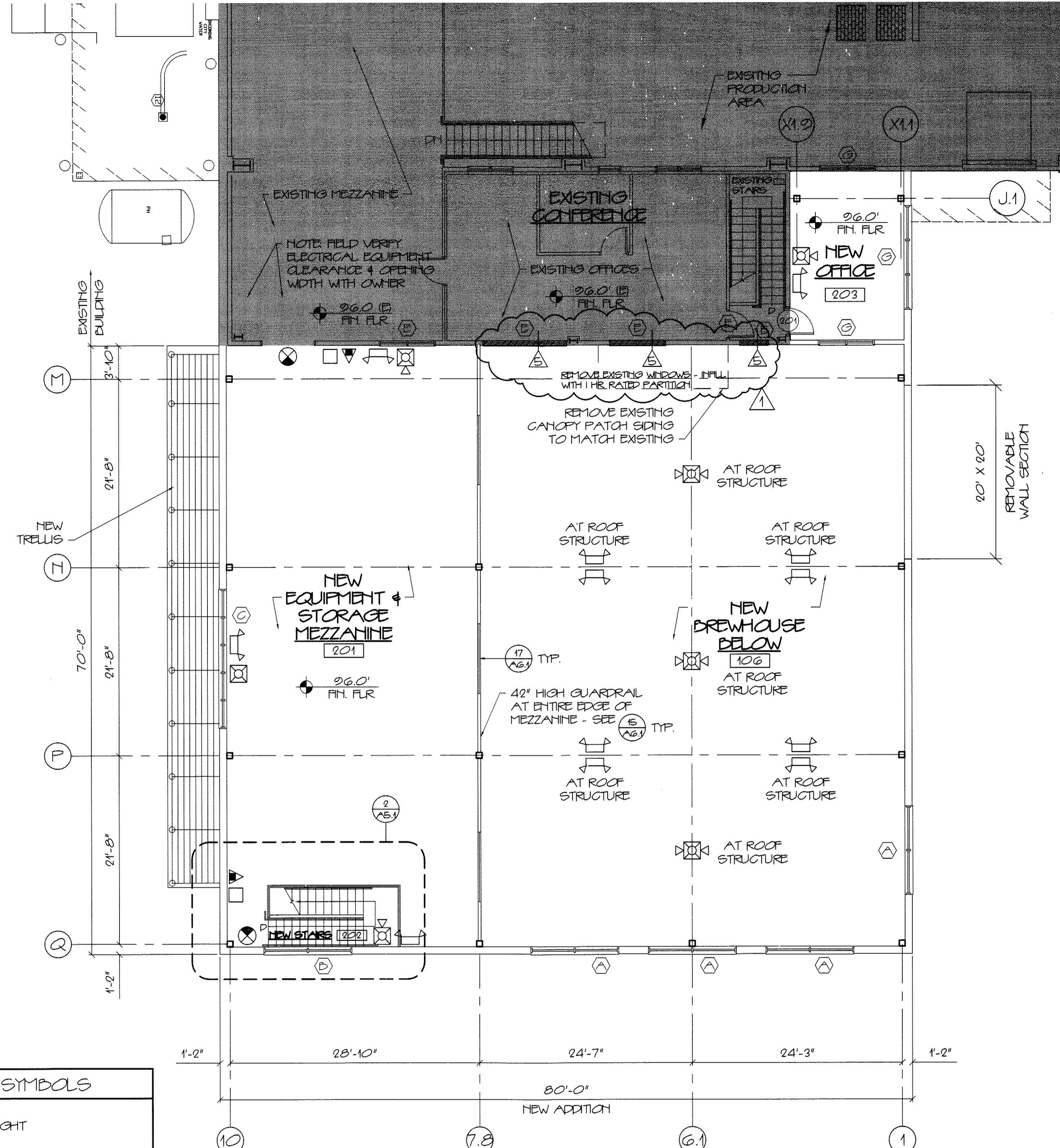
SECOND FLOOR FACILITY CODE COMPLIANCE PLAN
SCALE: 1/16" = 1'-0"

LIFE SAFETY NOTES

1. THE NEW BUILDING ADDITION SHALL HAVE A NEW NFPA 13 FIRE SUPPRESSION SPRINKLER SYSTEM INSTALLED. SPRINKLER SYSTEM SHALL BE INSTALLED BY A CERTIFIED SPRINKLER CONTRACTOR AND SHALL BE REVIEWED AND APPROVED BY THE STATE OF MAINE FIRE MARSHAL AS WELL AS THE LOCAL AUTHORITY HAVING JURISDICTION. THE CONTRACTOR SHALL BEAR SOLE RESPONSIBILITY FOR THE DESIGN AND INSTALLATION OF THE SYSTEM FOR OCCUPANCY.
2. THE SPRINKLER CONTRACTOR SHALL VERIFY THE EXISTING BUILDING SPRINKLER/FIRE ALARM SYSTEM HAS SUFFICIENT CAPACITY FOR EXTENDING INTO THE NEW BUILDING ADDITION.
3. THE CLOSEST FIRE HYDRANT TO THE BUILDING HAS A STATIC PRESSURE OF 80 PSI AND A FLOW OF 2,348 GPM.
4. SEE SHEET A7.1 - ACCESSIBILITY DETAILS FOR MOUNTING HEIGHTS OF LIFE SAFETY DEVICES.



1 FIRST FLOOR NEW ADDITION CODE COMPLIANCE PLANS
SCALE: 1/8" = 1'-0"



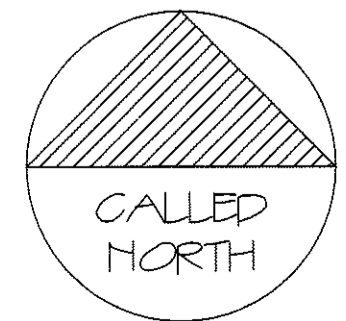
2 SECOND FLOOR NEW ADDITION CODE COMPLIANCE PLAN
SCALE: 1/8" = 1'-0"

LIFE SAFETY SYMBOLS

	EXIT LIGHT
	FIRE EXTINGUISHER
	FIRE ALARM PULL MANUAL PULL STATION
	FIRE ALARM PANEL
	EMERGENCY LIGHT
	FIRE ALARM HORN/STROBE UNIT
	FIRE ALARM STROBE UNIT
	SMOKE DETECTOR
	SMOKE DETECTOR W/ AUDIBLE ALARM
	'NOT AN EXIT' SIGN
	KNOX BOX
	1 HR RATED PARTITION
	2 HR RATED PARTITION

FIRE SUPPRESSION & LIFE SAFETY SYSTEM NOTES:

- THE ENTIRE BUILDING HAS AN EXISTING NFPA 13 FIRE SUPPRESSION SPRINKLER SYSTEM. THE EXISTING SPRINKLER SYSTEM SHALL BE MODIFIED BY A CERTIFIED SPRINKLER CONTRACTOR FOR THE PROPOSED PLANS AND SHALL BE REVIEWED AND APPROVED BY THE STATE AND LOCAL AUTHORITY HAVING JURISDICTION. THE CONTRACTOR SHALL BEAR SOLE RESPONSIBILITY FOR THE DESIGN AND INSTALLATION OF THE MODIFIED SYSTEM FOR OCCUPANCY.
- UPGRADE THE EXISTING FIRE ALARM SYSTEM AS REQUIRED FOR COMPLIANCE WITH NFPA 101 LIFE SAFETY CODE. COORDINATE WITH SPRINKLER SYSTEM MODIFICATION. VERIFY LOCATION OF ALARM & NOTIFICATION PANELS WITH THE AUTHORITY HAVING JURISDICTION.



G R A N T H A Y S A S S O C I A T E S

ARCHITECTURE
INTERIOR DESIGN
P.O. BOX 6179 FALMOUTH, MAINE 04105
(207) 871-5900
(207) 871-9308

NEW ADDITION FOR
ALLAGASH BREWING CO.
50 INDUSTRIAL WAY PORTLAND, MAINE

JOB TITLE

SCALE AS NOTED

DATE 10 SEPT. 12

DRAWN BY SAM/MPH

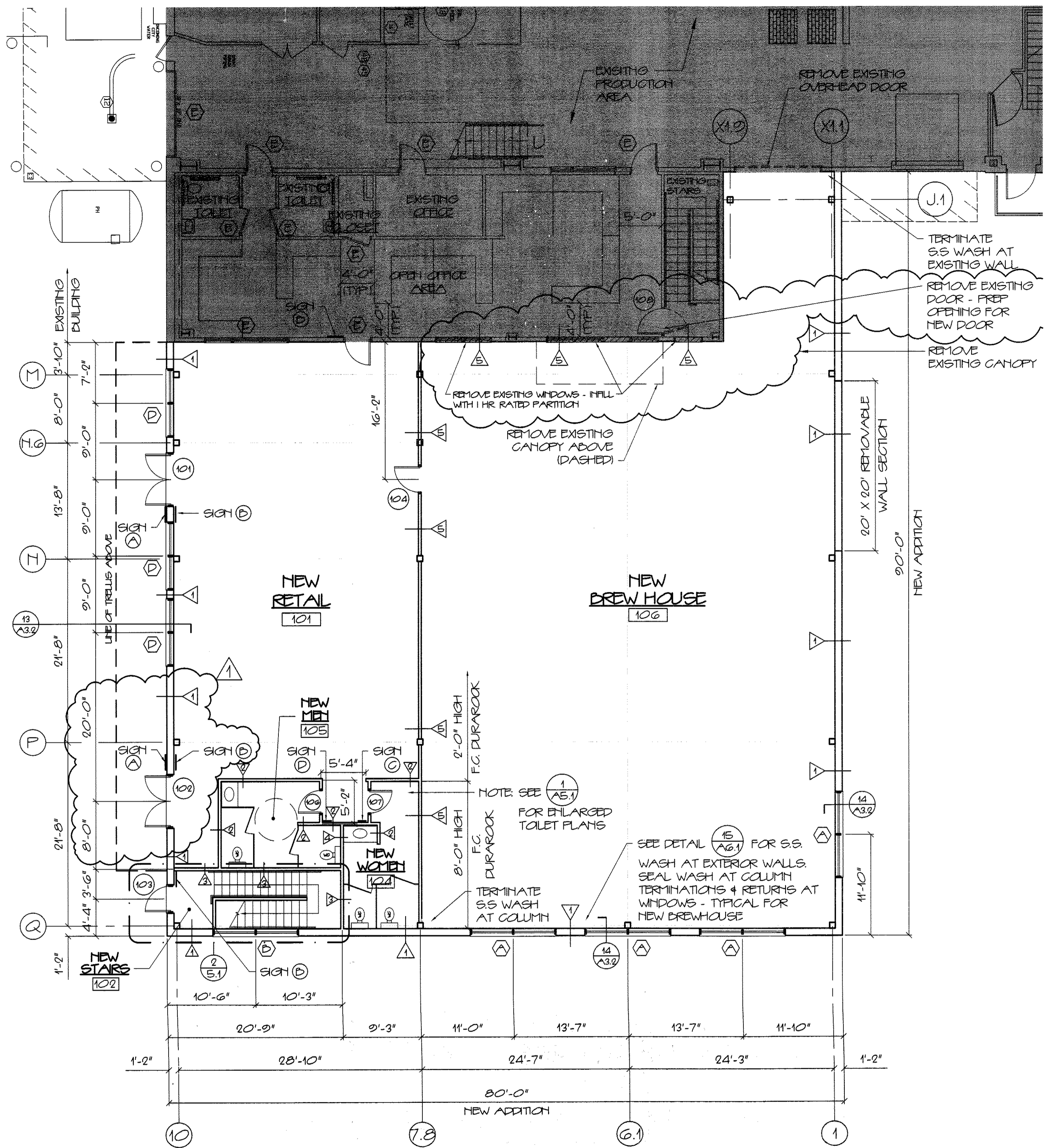
JOB NO. 120701

DRAWING NO.
A1.3

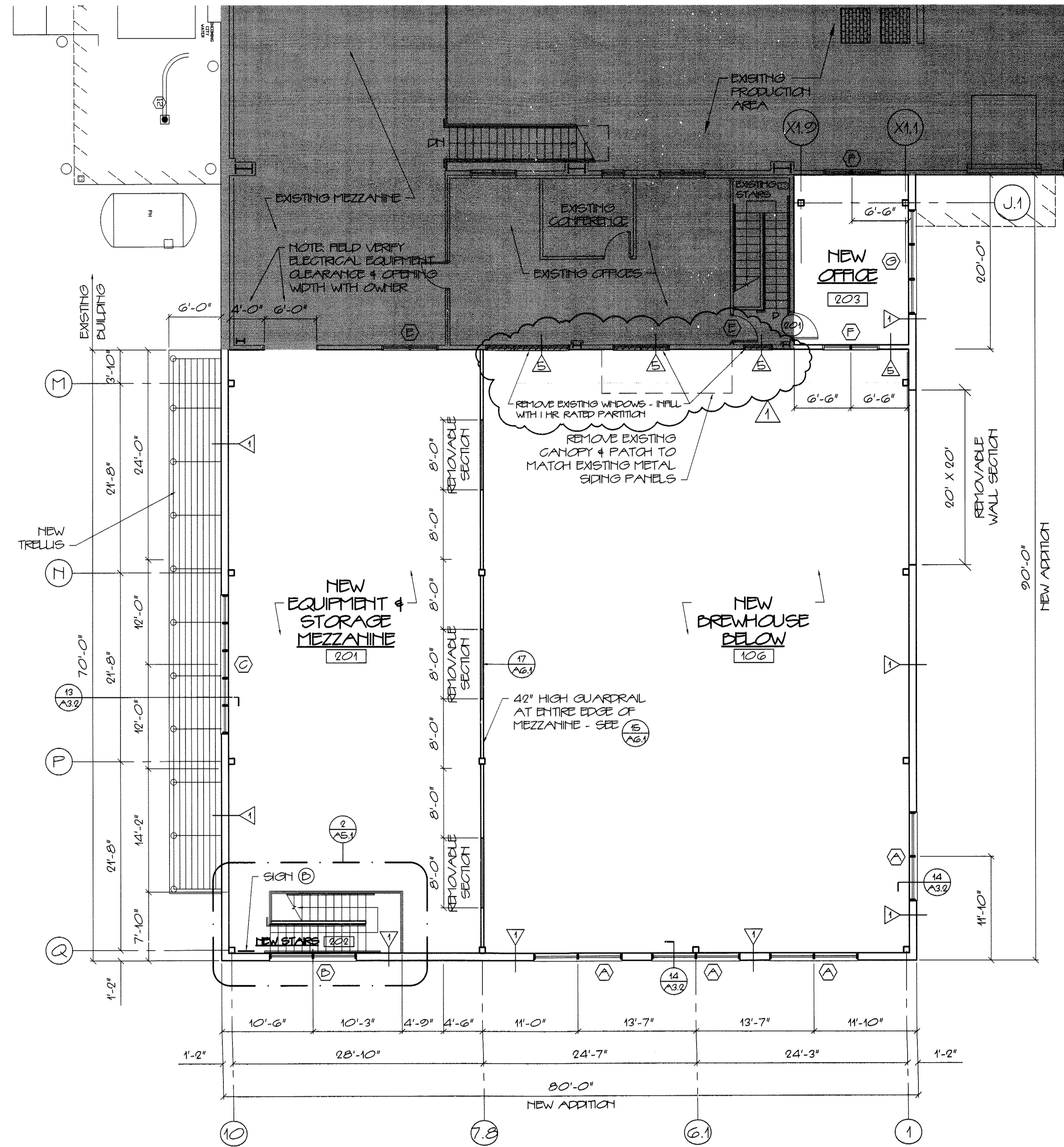
REVISIONS

1 11/1/12 SUPERCEDES PREVIOUS ISSUES

LICENSED ARCHITECT
MICHAEL F. HAYS
No. 1724
STATE OF MAINE



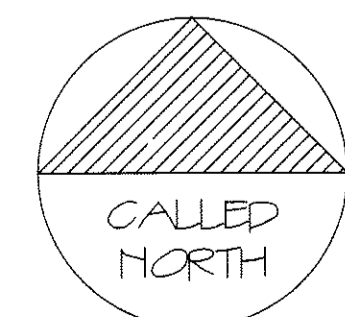
1 FIRST FLOOR NEW ADDITION ENLARGED PLANS
SCALE: 1/8" = 1'-0"



2 SECOND FLOOR NEW ADDITION ENLARGED PLAN
SCALE: 1/8" = 1'-0"

PARTITION TYPES	
TAG	DETAIL
1	A61
2	A61
3	A61
4	A61
5	A61

SIGNAGE TYPES	
TAG	DETAIL
A	A32
B	A32
C	A32
D	A32



G R A N T H A Y S A S S O C I A T E S

REVISIONS

11/1/12 SUPERCEDES PREVIOUS ISSUES

NEW ADDITION FOR ALLAGASH BREWING CO.
50 INDUSTRIAL WAY PORTLAND, MAINE

ARCHITECTURE INTERIOR DESIGN
P.O. BOX 6179 FALMOUTH, MAINE 04105
(207) 871-5900 (207) 871-9308

ENLARGED ADDITION PLANS

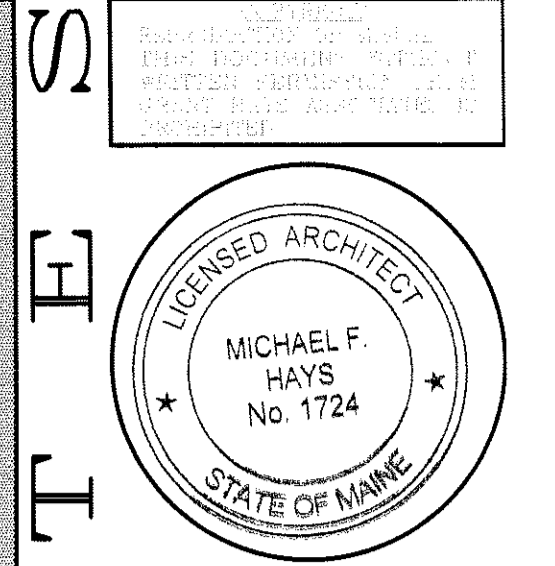
SCALE AS NOTED

DATE 10 SEPT. 12

DRAWN BY SAM/MPH

JOB NO. 120701

DRAWING NO. **A1.4**



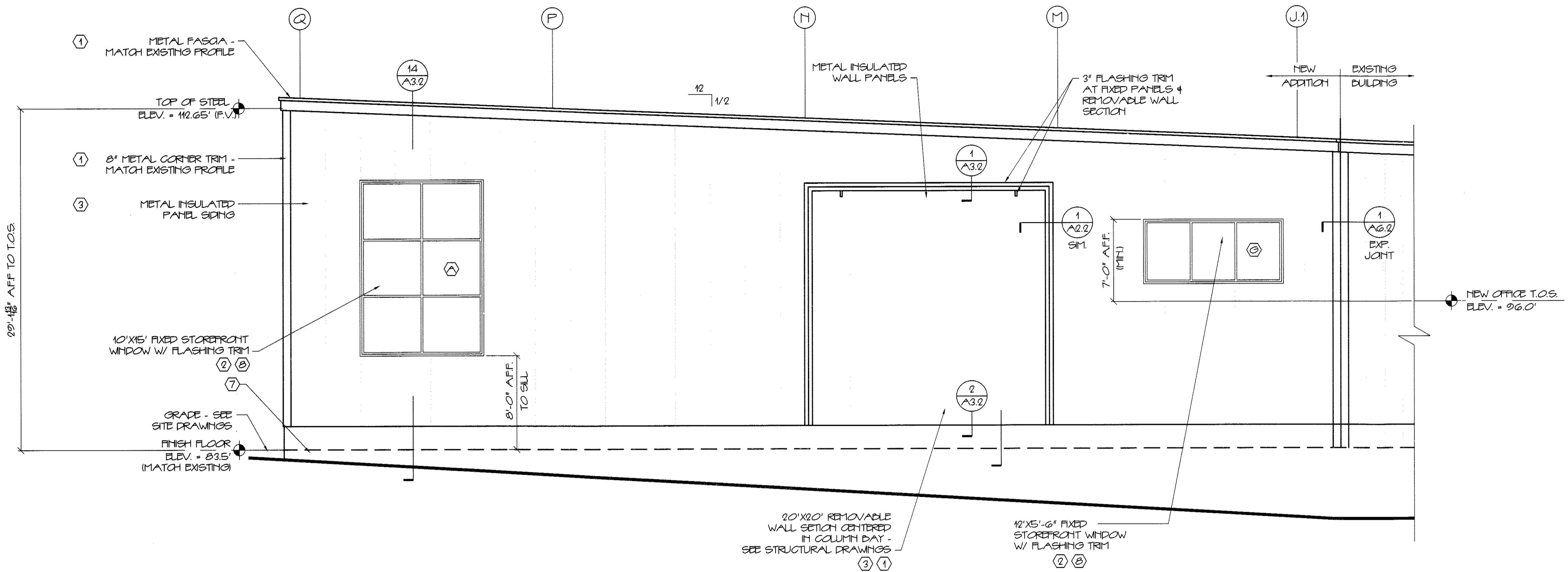
REVISIONS
 1 11/1/12 SUPERCEDES PREVIOUS ISSUES

NEW ADDITION FOR
ALLAGASH BREWING CO.
 50 INDUSTRIAL WAY PORTLAND, MAINE

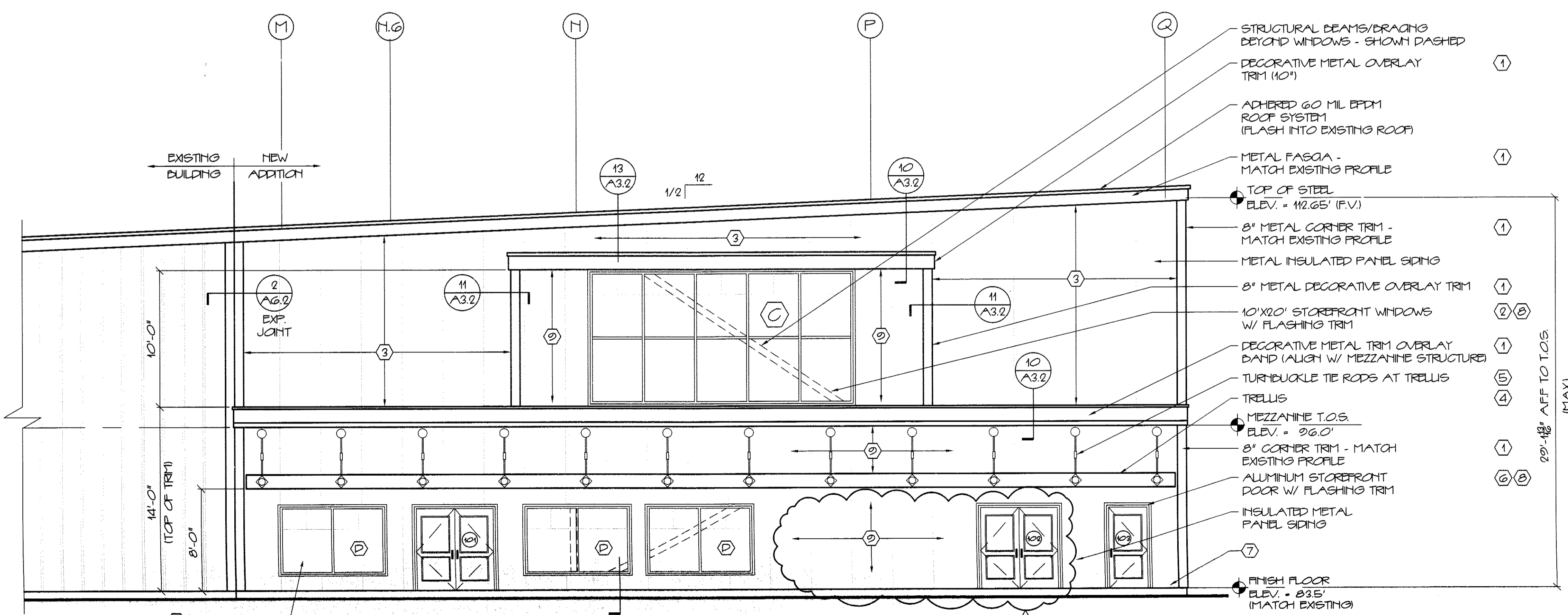
ARCHITECTURE
INTERIOR DESIGN
 P.O. BOX 6179 FALMOUTH, MAINE 04105
 (207) 871-5900 (207) 871-9308

ADDITION
 EXTERIOR
 ELEVATIONS

SCALE AS NOTED
 DATE 10 SEPT. 12
 DRAWN BY SAM/MPH
 JOB NO. 120701
 DRAWING NO. **A2.1**



EAST ELEVATION
 SCALE: 3/16" = 1'-0"



WEST ELEVATION
 SCALE: 3/16" = 1'-0"

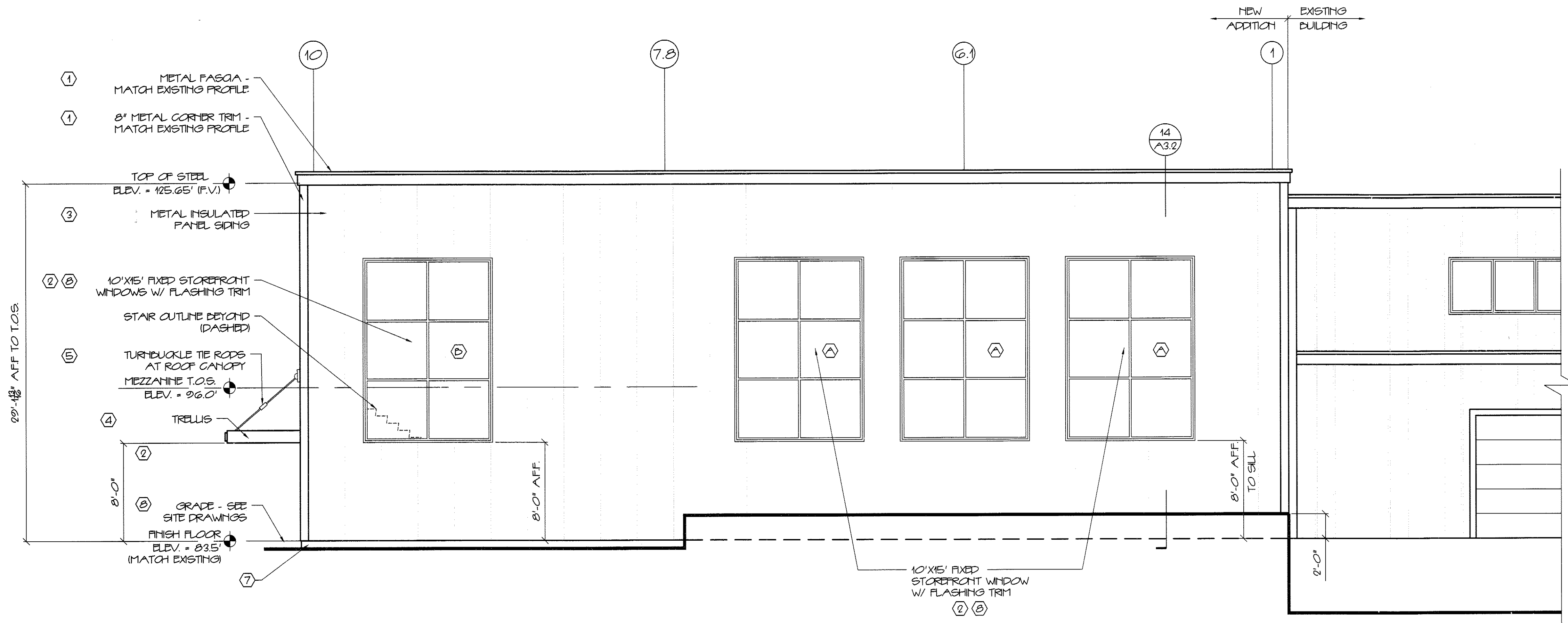
COLOR SCHEDULE	
TAG	COLOR
1	LIGHT BRONZE
2	MILL ALUMINUM
3	LIGHT STONE
4	'RUSTED' STEEL
5	'GALVANIZED' STEEL & ROUGH TIMBER
6	MILL ALUMINUM
7	CONCRETE
8	LIGHT BRONZE
9	BLUE
10	(RESERVED)

NOTE: MATCH EXISTING BUILDING INSULATED EXTERIOR METAL PANELS FROM 2010 ADDITION AT NEW BUILDING ADDITION. MATCH TRIM PROFILES AND COLORS AS INDICATED AND AS RESOCIABLY AVAILABLE.

GRANT HAYS ARCHITECT ASSOCIATES

JOB TITLE

DRAWING TITLE



SOUTH ELEVATION
SCALE: 3/16" = 1'-0"

COLOR SCHEDULE	
TAG	COLOR
①	LIGHT BRONZE
②	MILL ALUMINUM
③	LIGHT STONE
④	'RUSTED' STEEL
⑤	'GALVANIZED' STEEL & ROUGH TIMBER
⑥	MILL ALUMINUM
⑦	CONCRETE
⑧	LIGHT BRONZE
⑨	BLUE
⑩	(RESERVED)

G R A N T H A Y S A S S O C I A T I O N S

ARCHITECTURE
INTERIOR DESIGN
P.O. BOX 6179 FALMOUTH, MAINE 04105
(207) 871-8900
(207) 871-9908

NEW ADDITION FOR
ALLAGASH BREWING CO.
50 INDUSTRIAL WAY PORTLAND, MAINE

REVISIONS

ADDITION
EXTERIOR
ELEVATIONS

DRAWING TITLE

SCALE AS NOTED

DATE 10 SEPT. 12

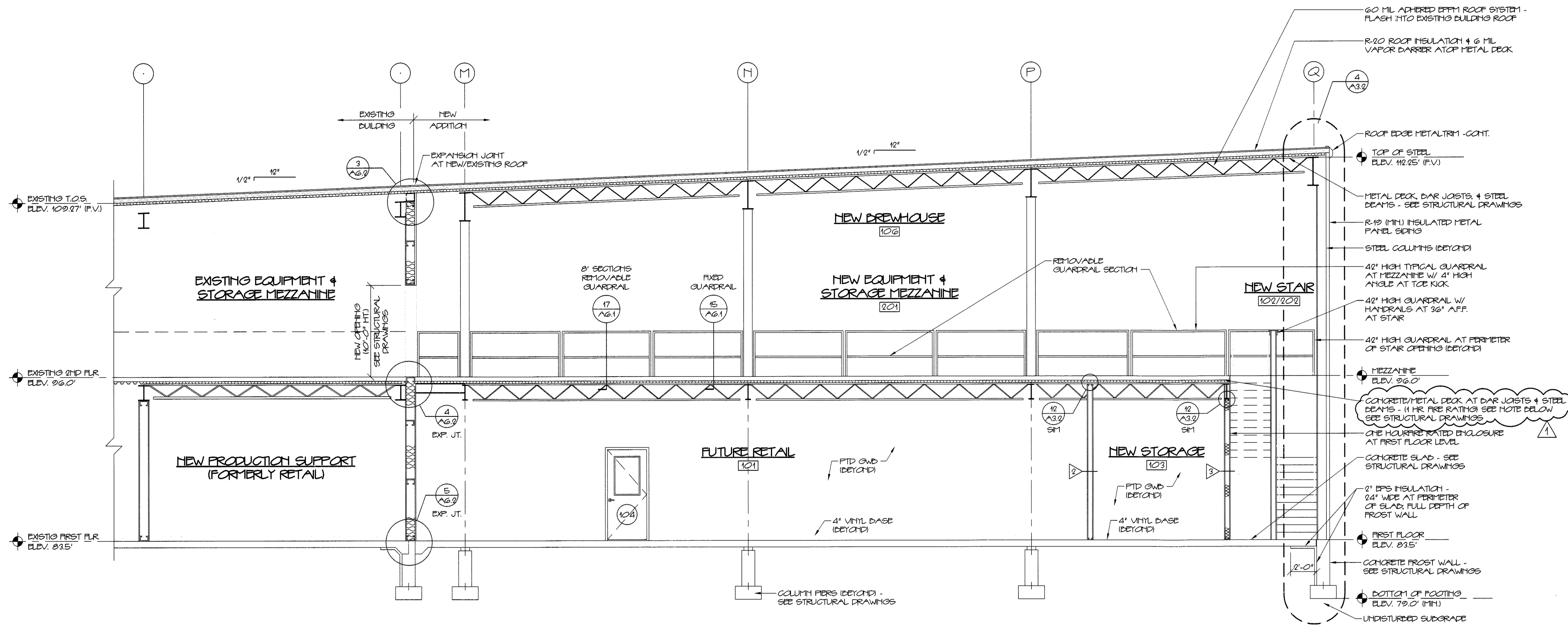
DRAWN BY SAM/MPH

JOB NO. 120701

DRAWING NO.

A2.2

LICENSED ARCHITECT
MICHAEL F. HAYS
No. 1724
STATE OF MAINE



TYPICAL NEW ADDITION BUILDING SECTION
SCALE 1/4" = 1'-0"

NOTE: NEW MEZZANINE FLOOR CONSTRUCTION CONSISTS OF STRUCTURAL METAL DECKING, MINIMUM 2" W/8" CONCRETE TOPPING WITH WELDED WIRE MESH REINFORCING PER UL DESIGN NO. D064 - 1 HOUR ASSEMBLY RATING

G R A N T A S S O C I A T E S

REVISIONS

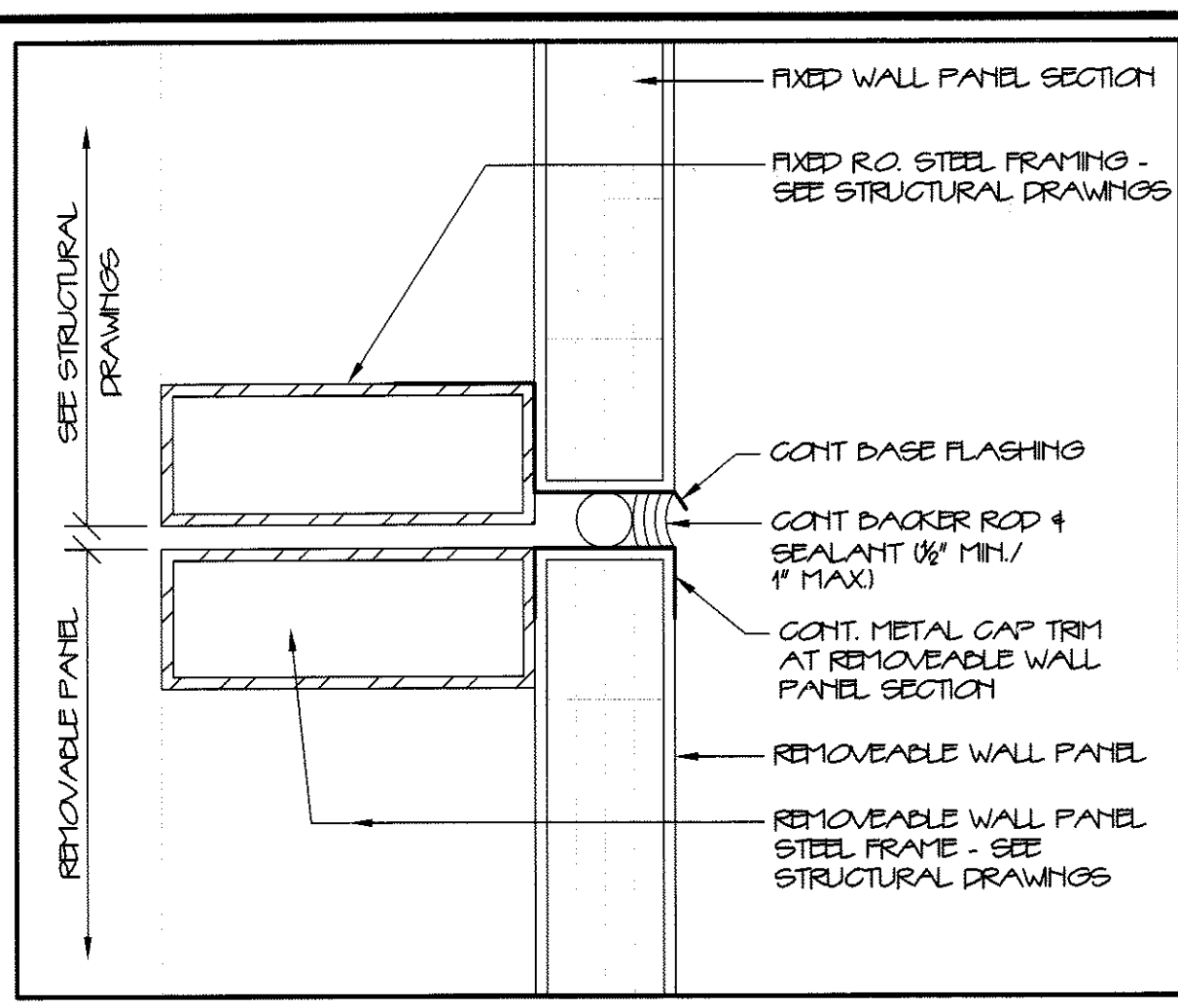
1	11/1/12	SUPPERCEDES PREVIOUS ISSUES
---	---------	-----------------------------

NEW ADDITION FOR
ALLAGASH BREWING CO.
50 INDUSTRIAL WAY PORTLAND, MAINE

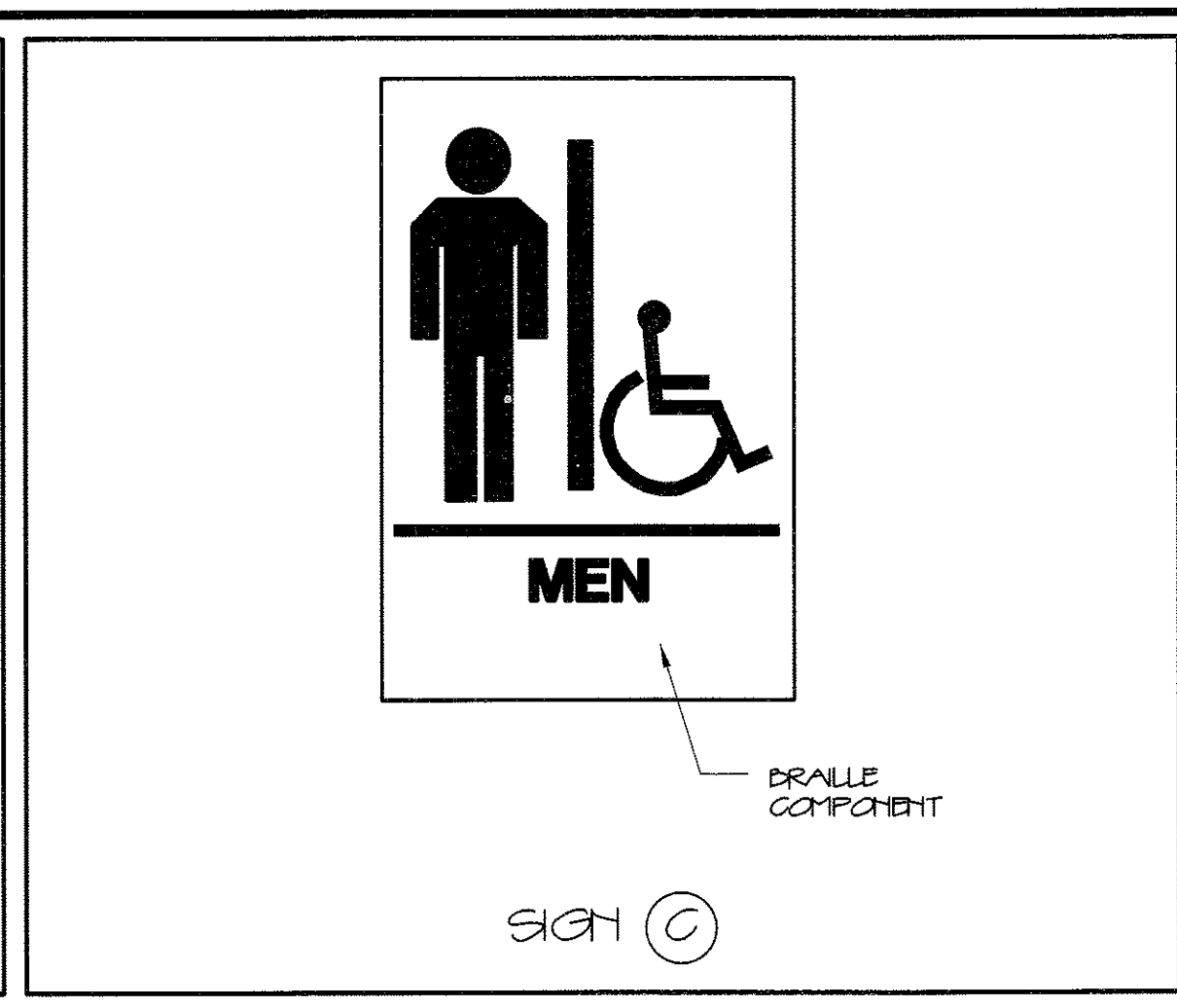
ARCHITECTURE
INTERIOR DESIGN
P.O. BOX 6179 FALMOUTH, MAINE 04105
(207) 871-5900
(207) 871-8306

ADDITION BUILDING SECTIONS
DRAWING TITLE

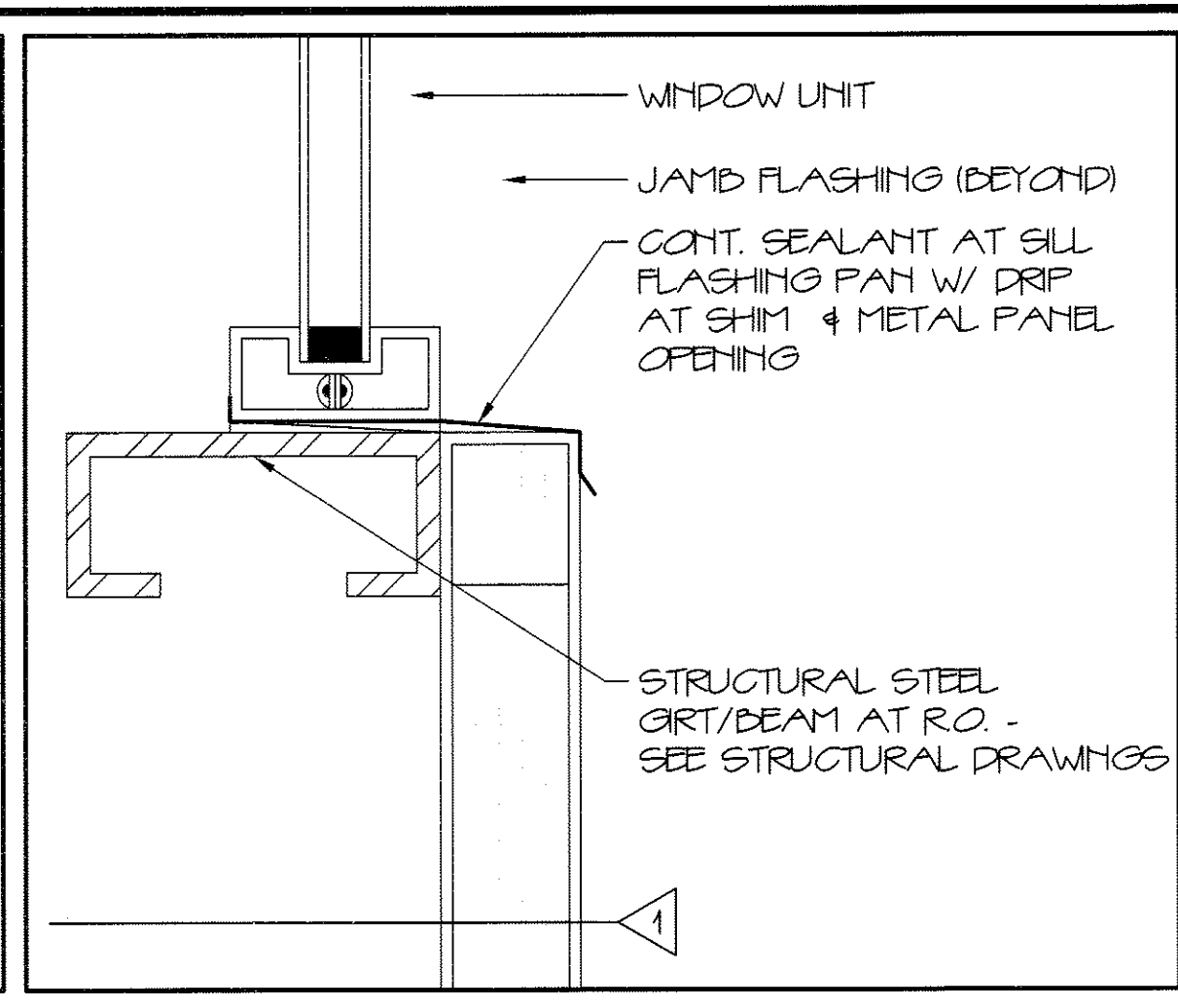
SCALE 1/4" = 1'-0"
DATE 10 SEPT. 12
DRAWN BY SAM/MPH
JOB NO. 120701
DRAWING NO. **A3.1**



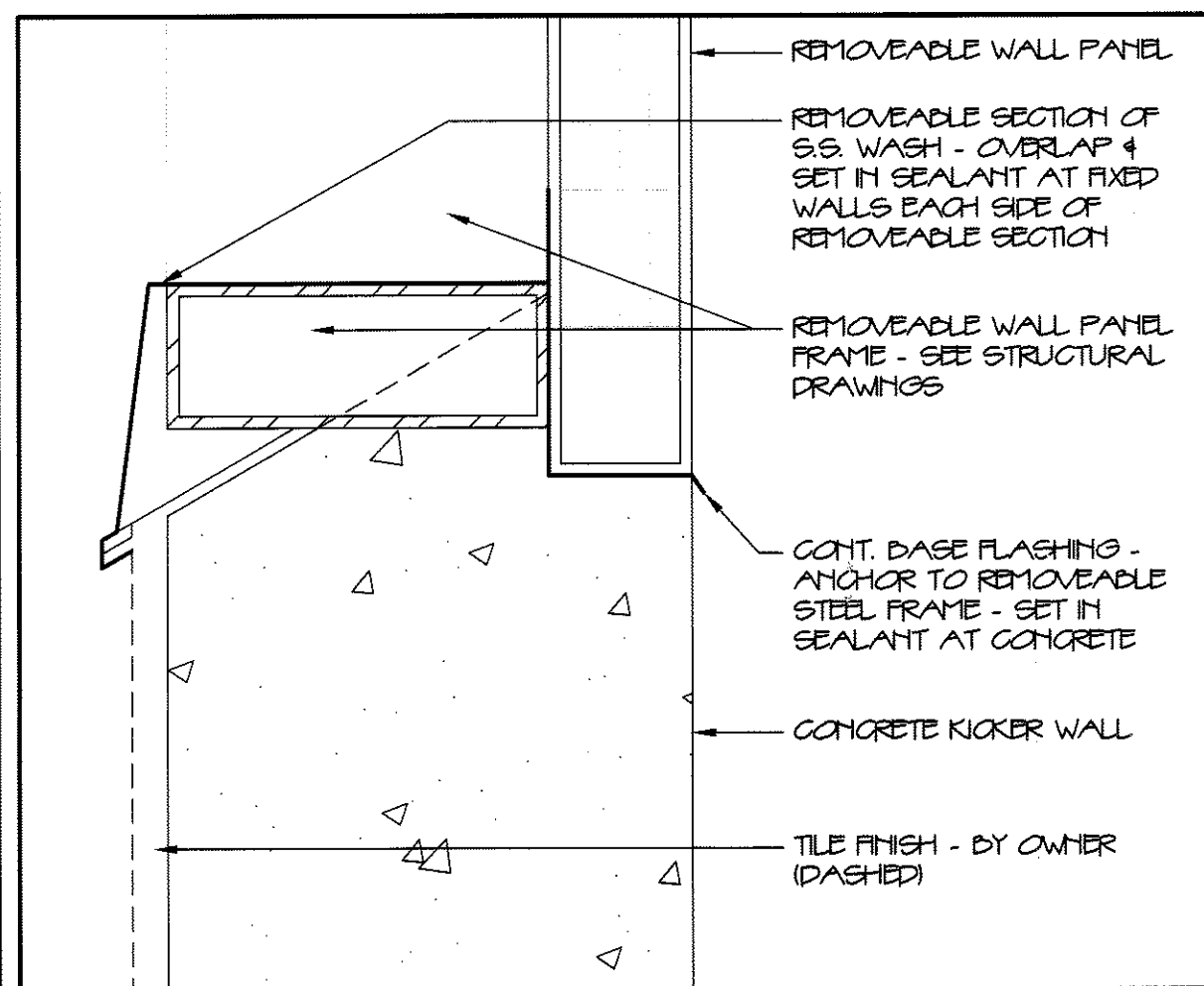
1 REMOVABLE WALL AT HEAD (JAMB SILL) 3'-1'-0"



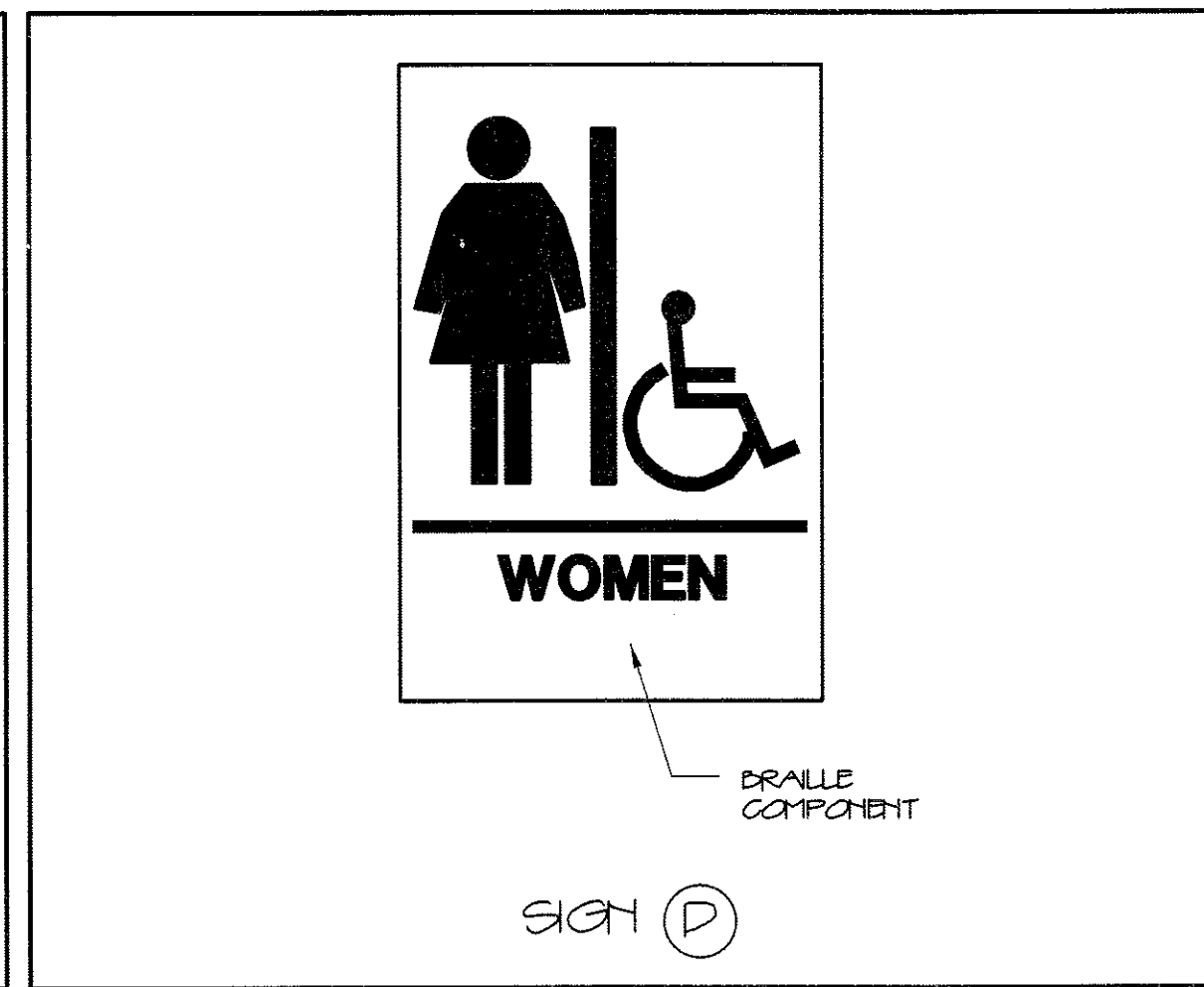
5 ACCESSIBLE MEN'S TOILET SIGN N.T.S.



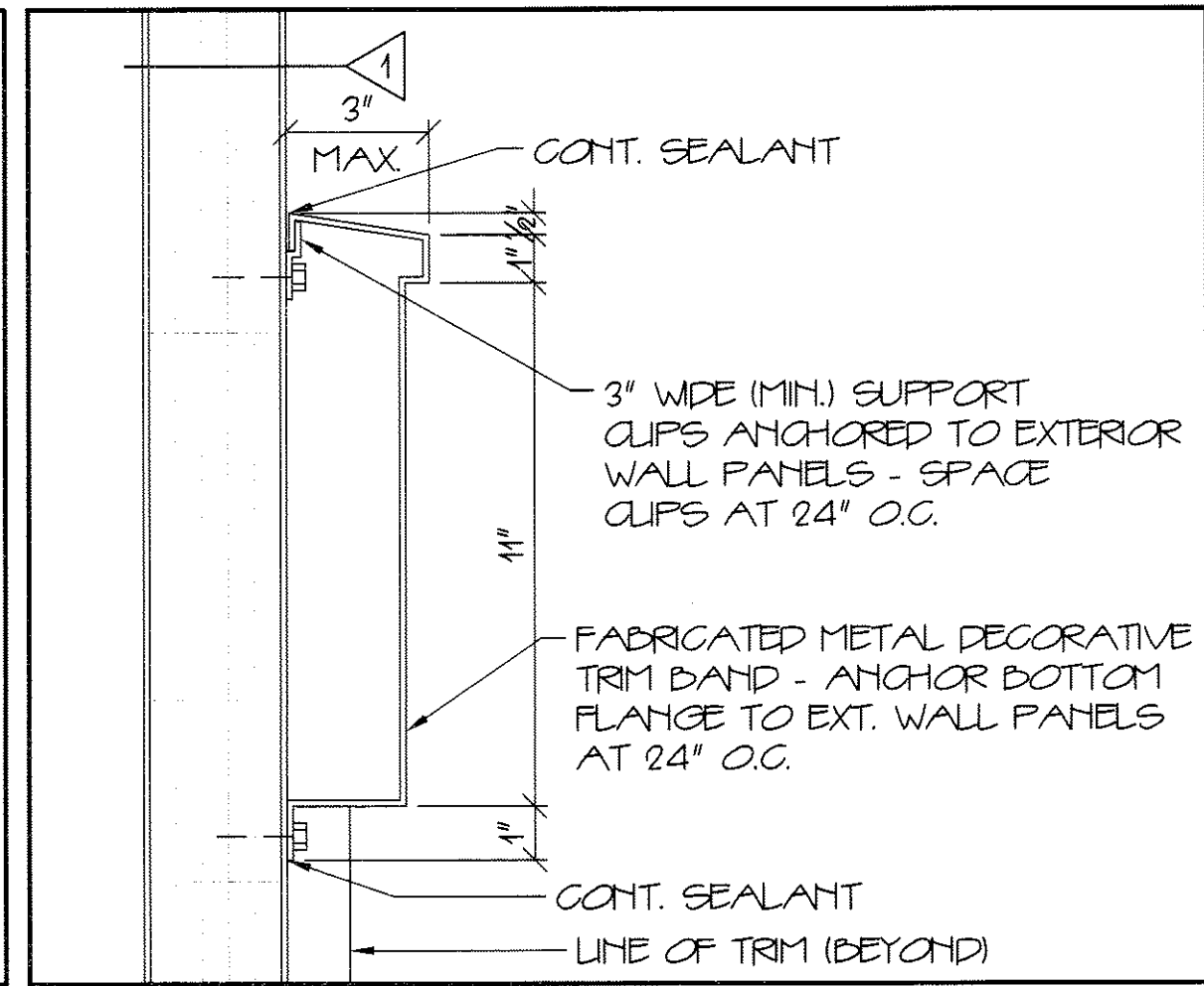
6 EXT. WINDOW SILL DETAIL 3'-1'-0"



2 REMOVABLE WALL AT SILL 3'-1'-0"



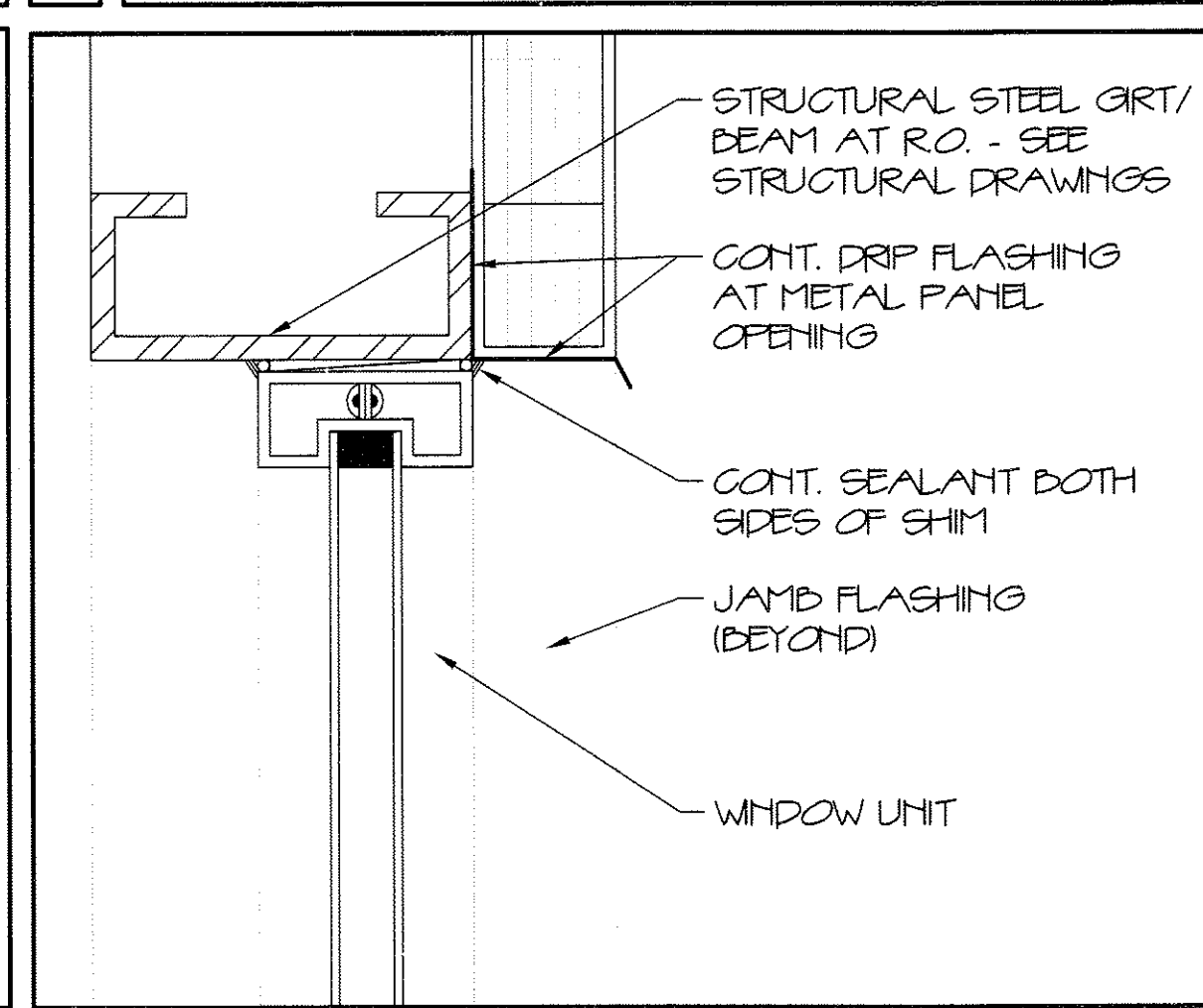
6 ACCESSIBLE WOMEN'S TOILET SIGN N.T.S.



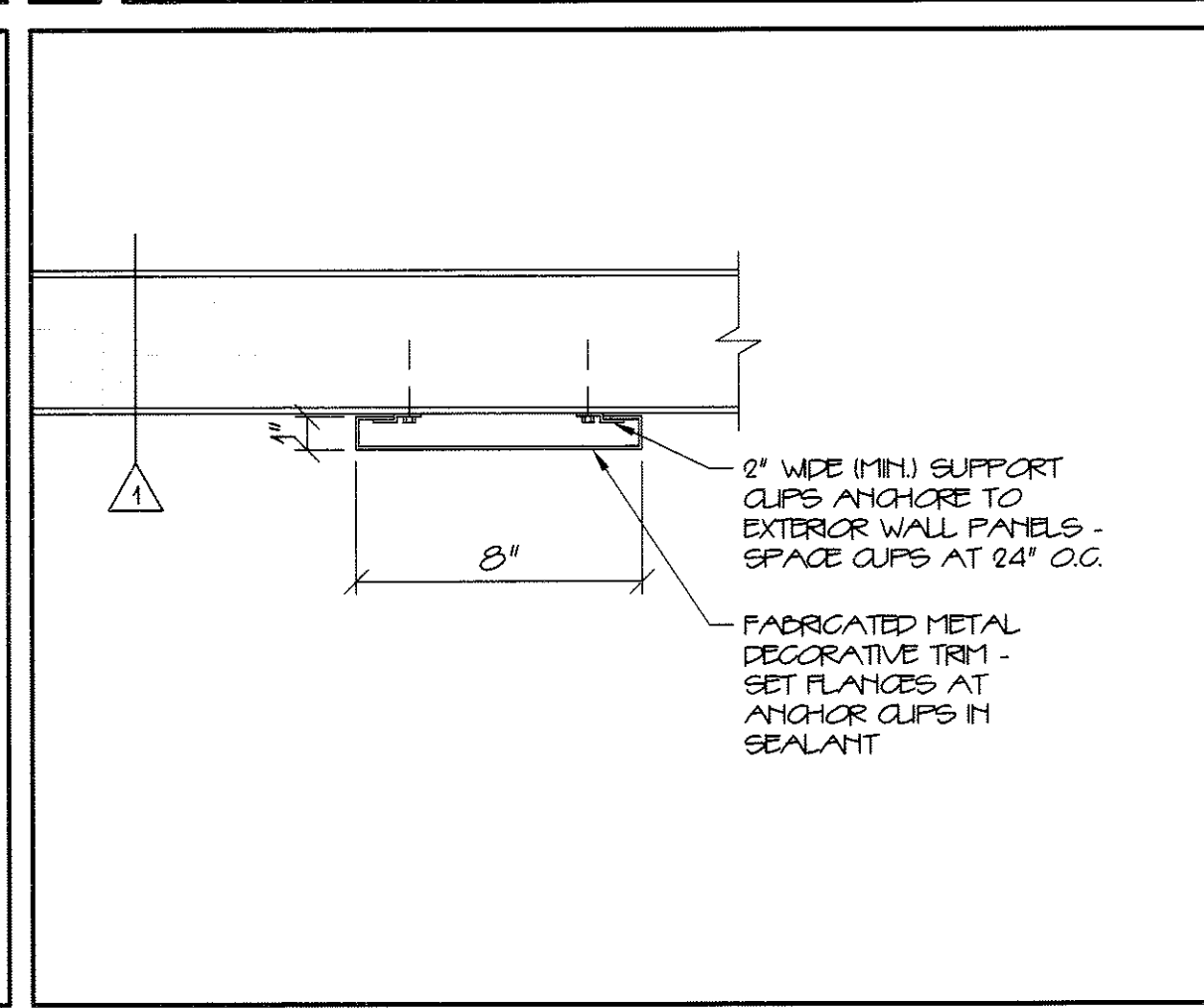
7 DECORATIVE HORIZONTAL BAND 3'-1'-0"



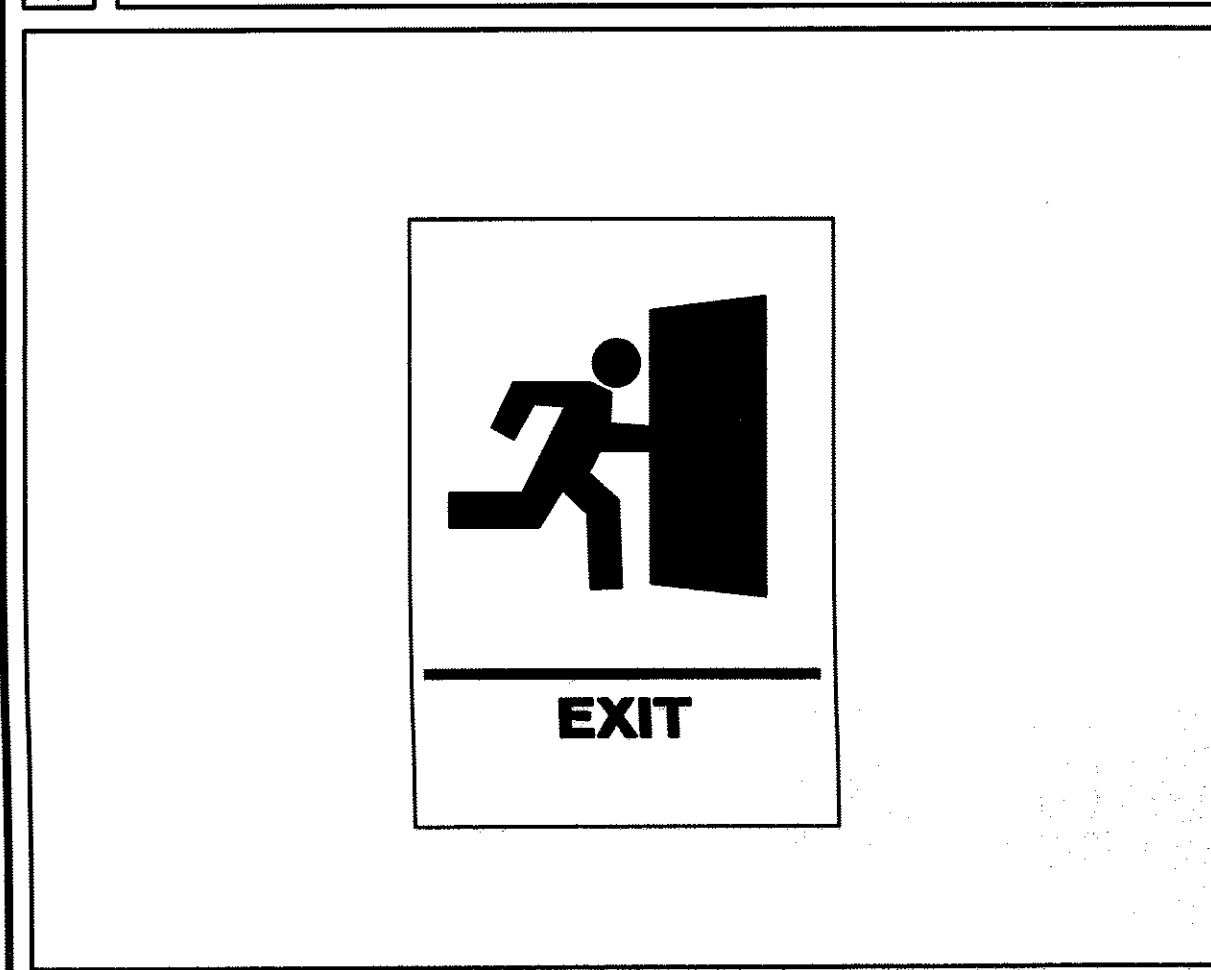
3 ACCESSIBLE ENTRANCE SIGN N.T.S.



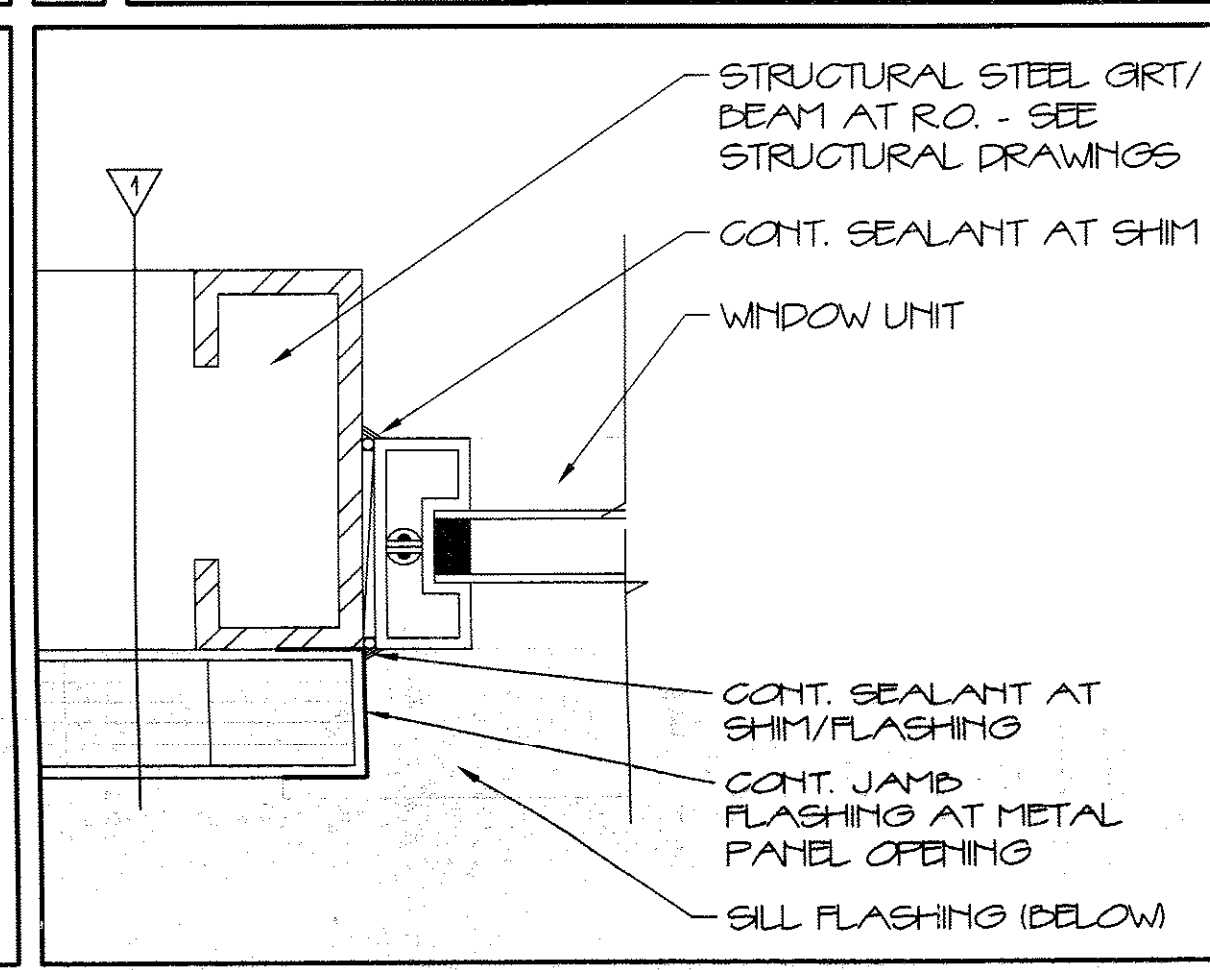
7 EXT. WINDOW HEAD DETAIL 3'-1'-0"



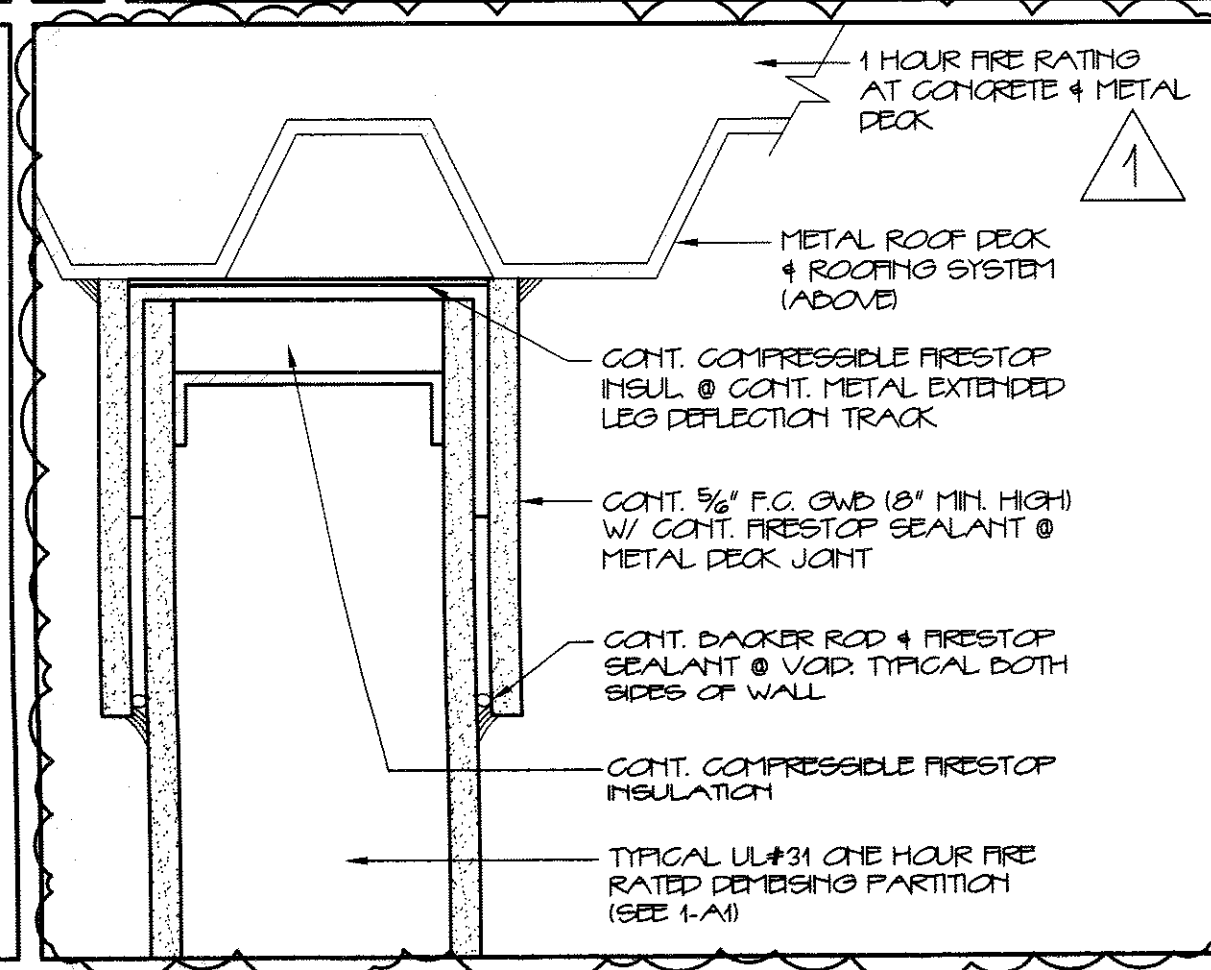
11 DECORATIVE VERTICAL TRIM 3'-1'-0"



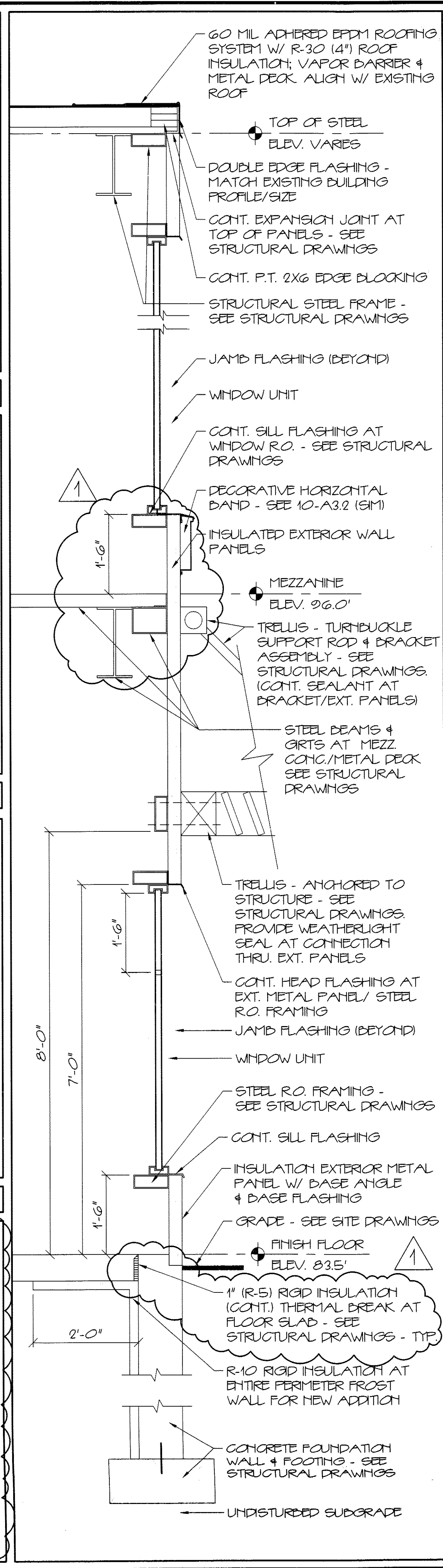
4 EXIT SIGN N.T.S.



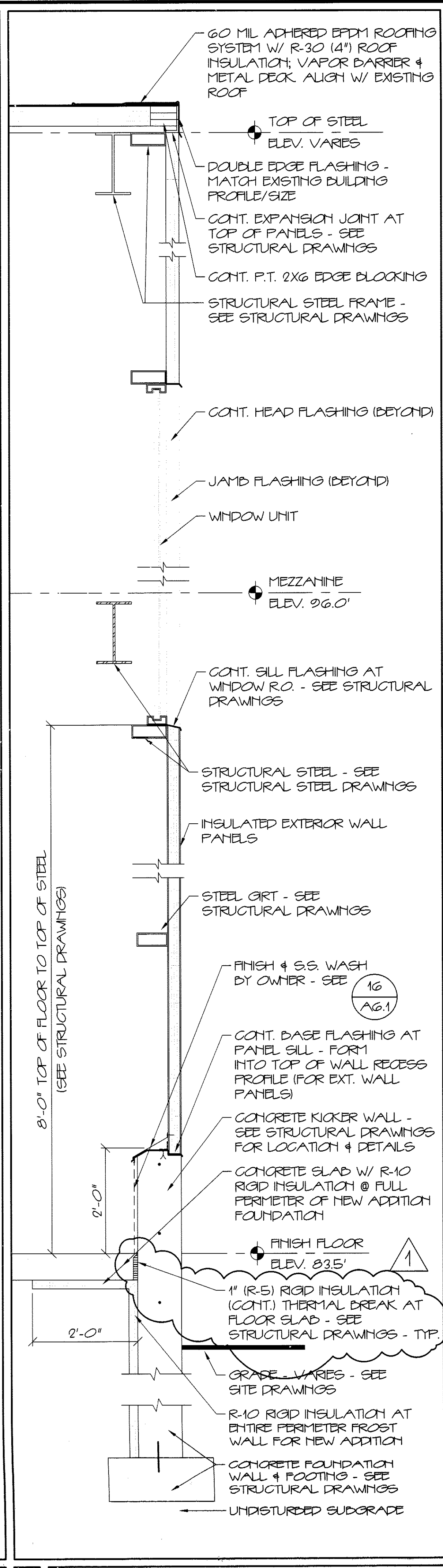
8 EXT. WINDOW JAMB DETAIL 3'-1'-0"



12 TYPICAL 1 HR RATED DEFLECTION TRACK 3'-1'-0"



13 TYPICAL EXTERIOR WALL SECTION - WEST 3'-1'-0"



14 TYPICAL EXTERIOR WALL SECTION - EAST 3'-1'-0"

G R A N T H A Y S A S O C I A T E S

NEW ADDITION FOR ALLAGASH BREWING CO. PORTLAND, MAINE

ARCHITECTURE INTERIOR DESIGN P.O. BOX 6179 FALMOUTH, MAINE 04105

SCALE 1/4" = 1'-0"

DATE 10 SEPT. 12

DRAWN BY SAM/MPH

JOB NO. 120701

DRAWING NO. A3.2

DRAWING TITLE

MICHAEL F. HAYS No. 1724 LICENSED ARCHITECT STATE OF MAINE

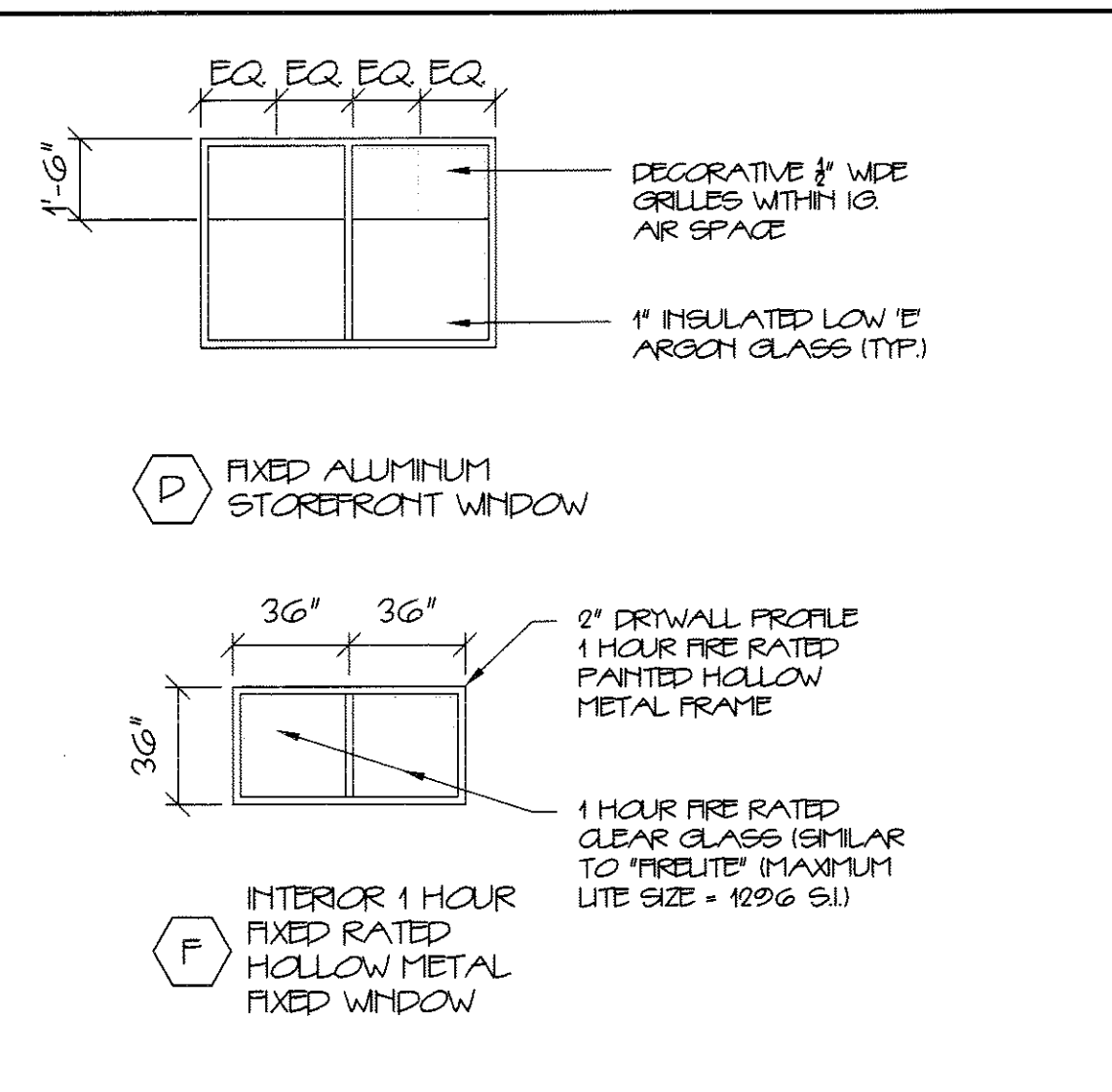
REVISIONS

11/1/12 SUPERCEDES PREVIOUS ISSUES

JOB TITLE

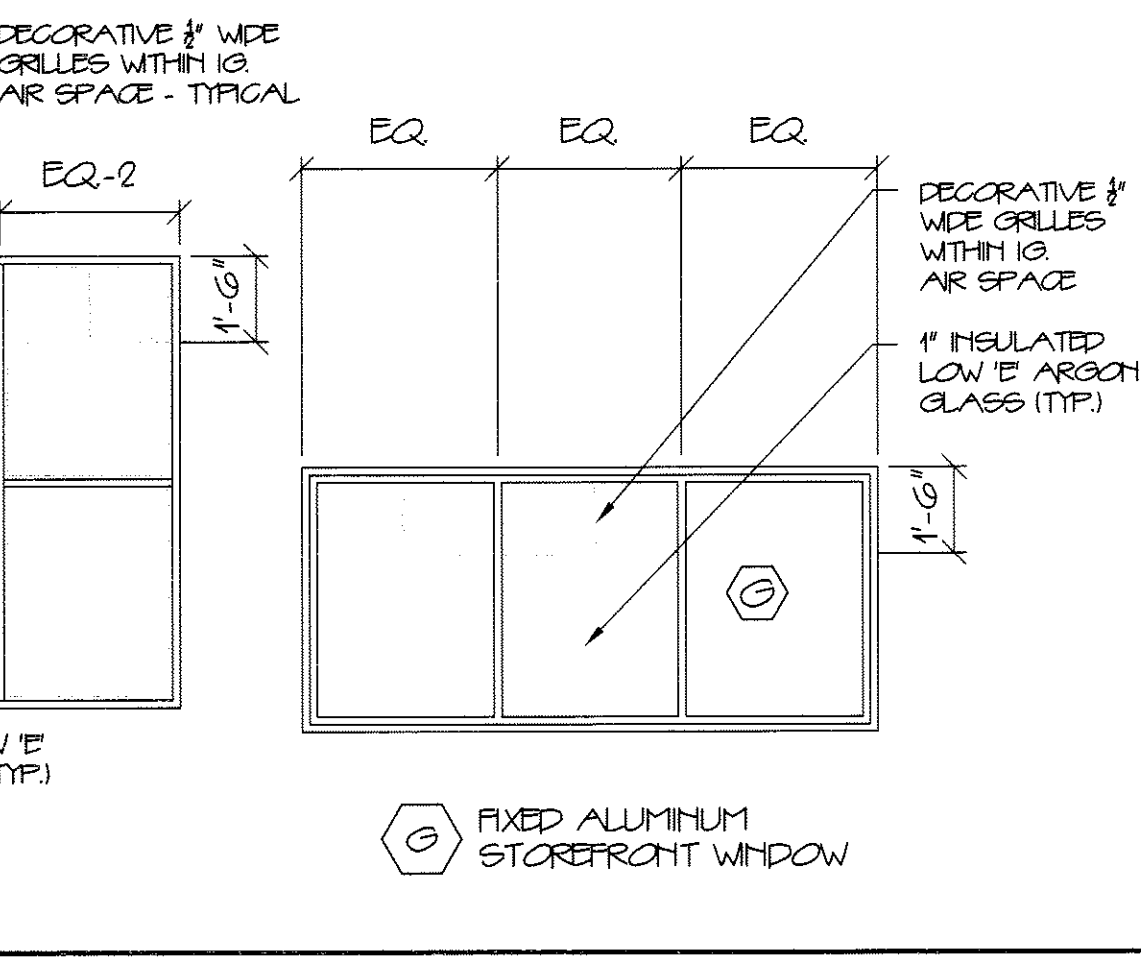
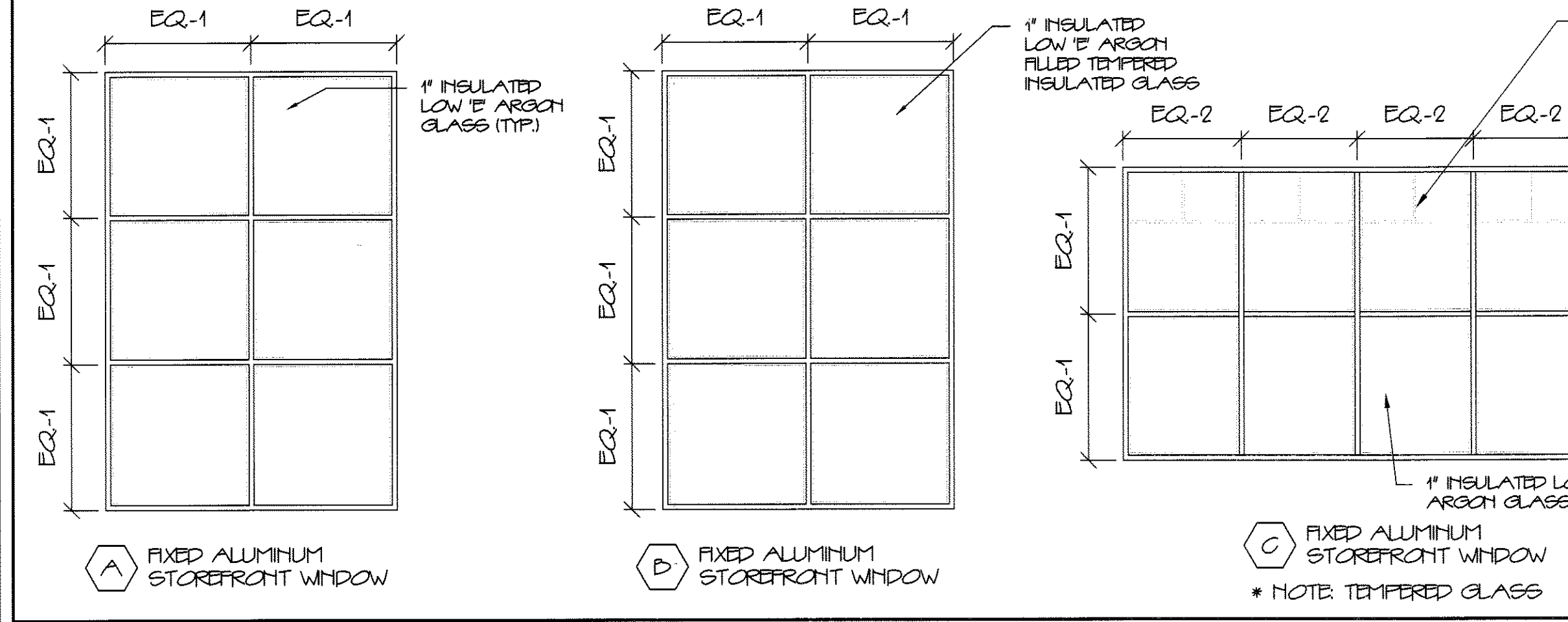
WINDOW SCHEDULE

NO.	TYPE	MANUFACTURER		NOMINAL SIZE		DETAILS					REMARKS	
		MATERIAL	MODEL	WIDTH	HEIGHT	HEAD	JAMB	SILL	MUNT	MULL		
A	FIXED	TUBEUTE *	14000 V/O SERIES	10'-0"	15'-0"	7-A3.2	8-A3.2	9-A3.2	-	-	-	* OR SIMILAR PER ARCHITECT
B	FIXED			10'-0"	15'-0"							* OR SIMILAR PER ARCHITECT
C	FIXED			20'-0"	10'-0"							* OR SIMILAR PER ARCHITECT
D	FIXED			8'-0"	5'-6"							* OR SIMILAR PER ARCHITECT
E	EXISTING	EXISTING	EXISTING	EXISTING	EXISTING	E	E	E	E	E		EXISTING TO REMAIN
F	FIXED	HOLLOW METAL	DRYWALL FRAME	6'-0"	3'-0"	3-A4.1	3-A4.1	3-A4.1	-	-	-	1 HOUR RATED ASSEMBLY
G	FIXED	TUBEUTE *	14000 V/O SERIES	12'-0"	5'-6"	7-A3.2	8-A3.2	9-A3.2	-	-	-	* OR SIMILAR PER ARCHITECT

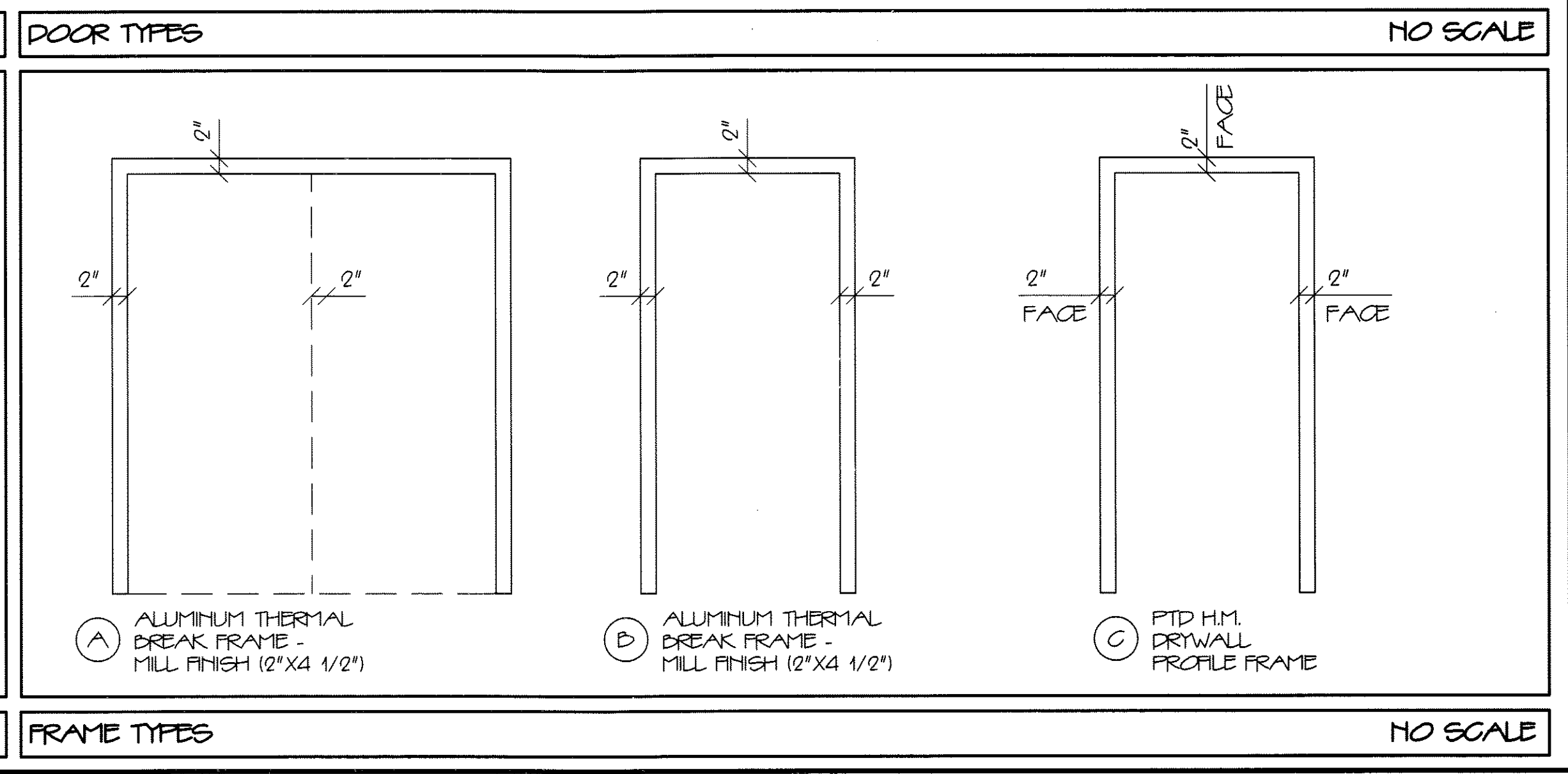
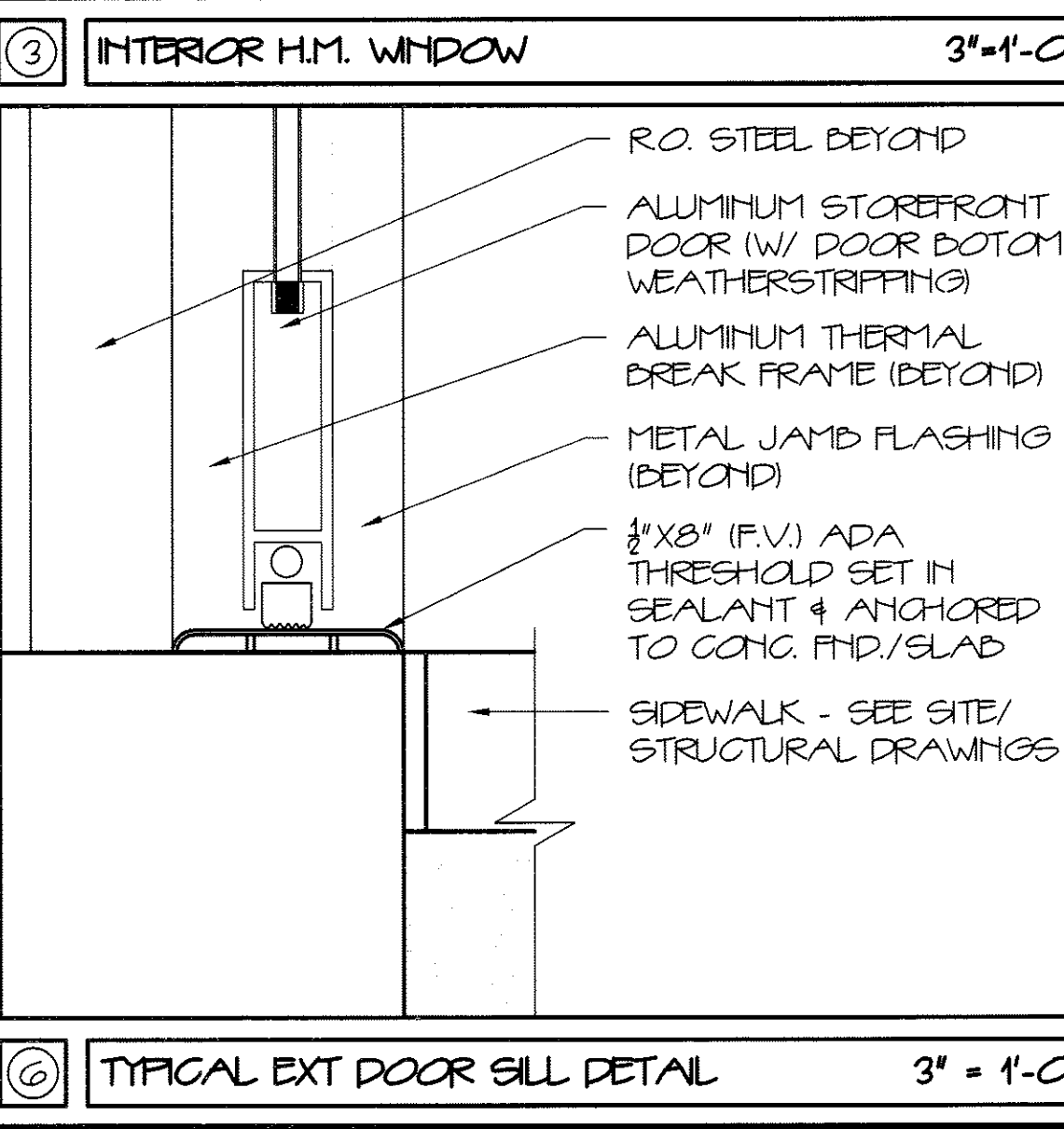
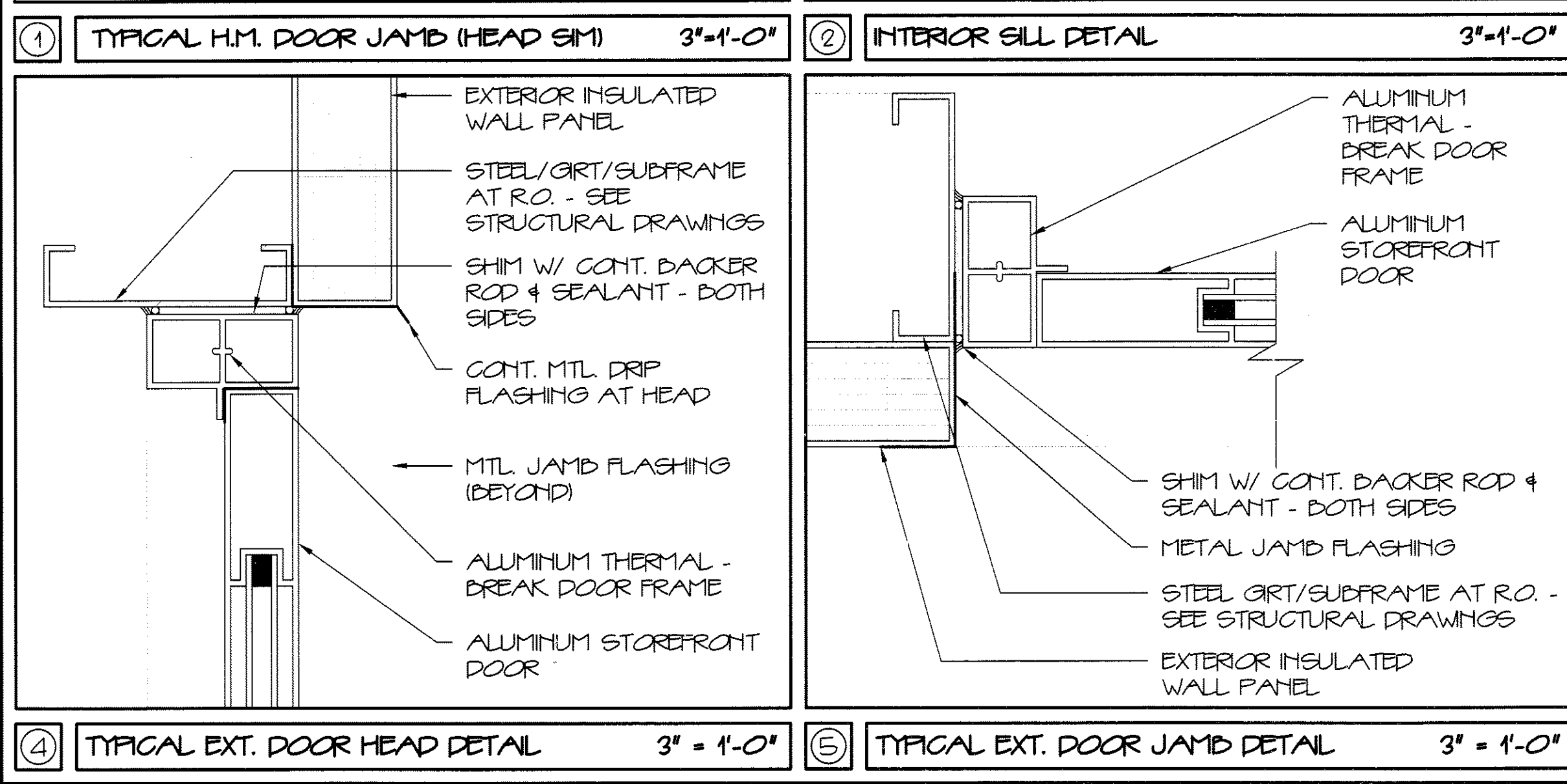
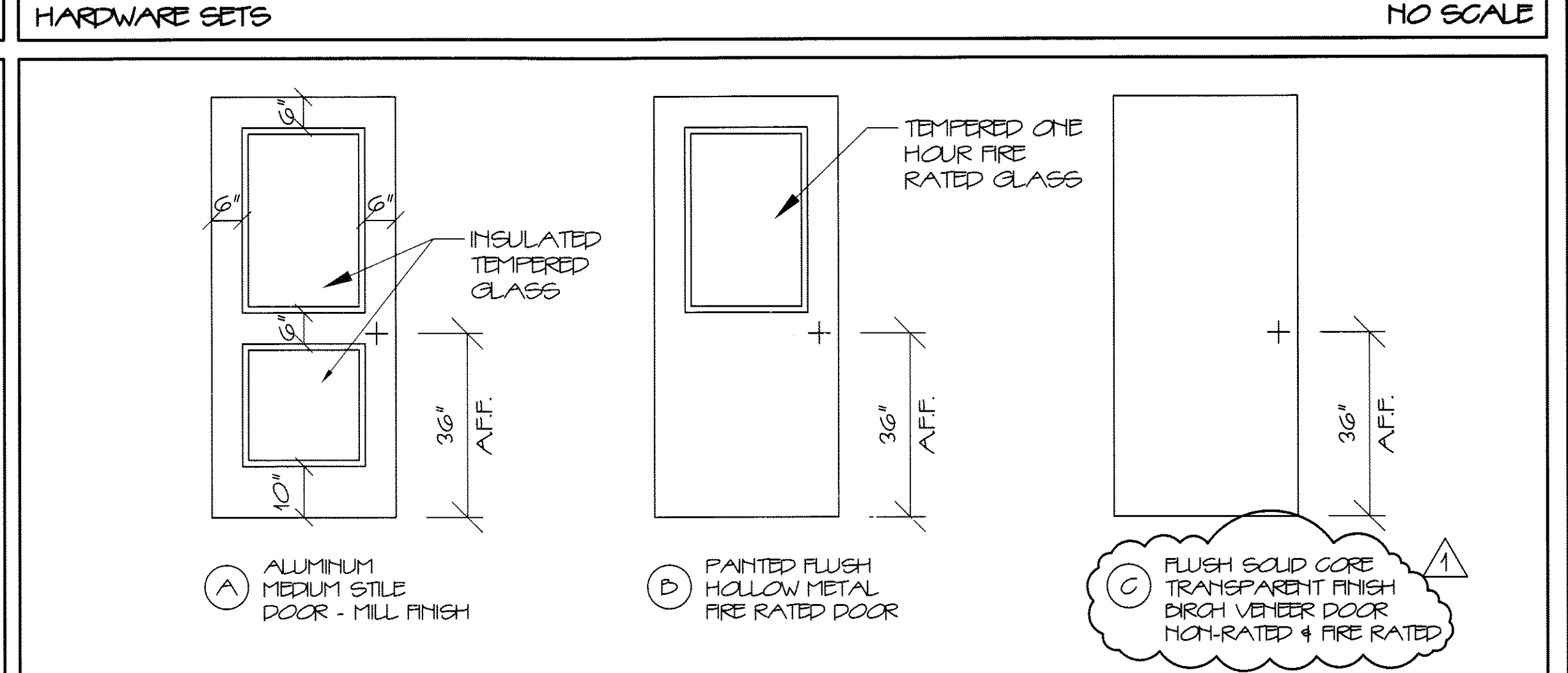
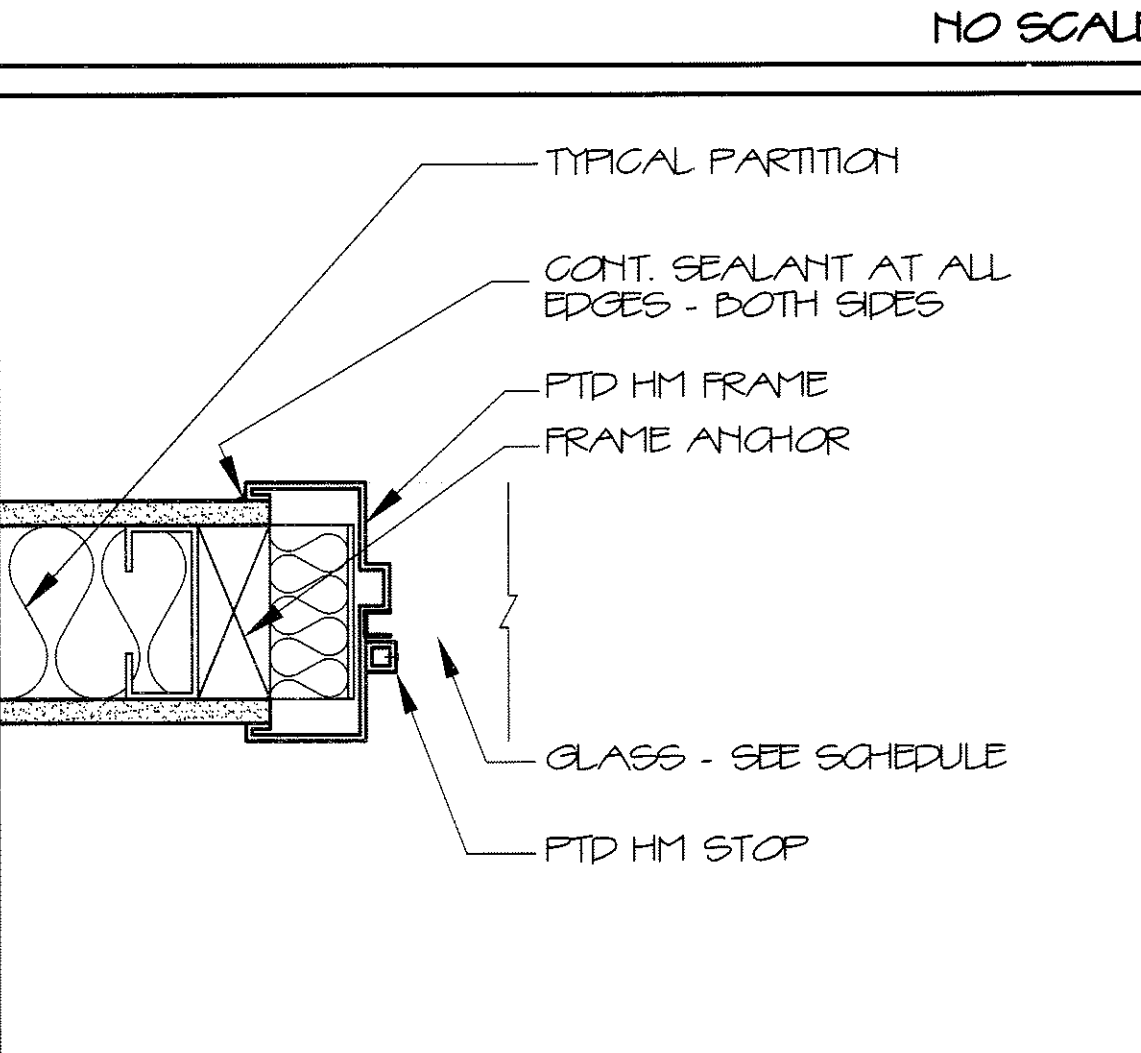
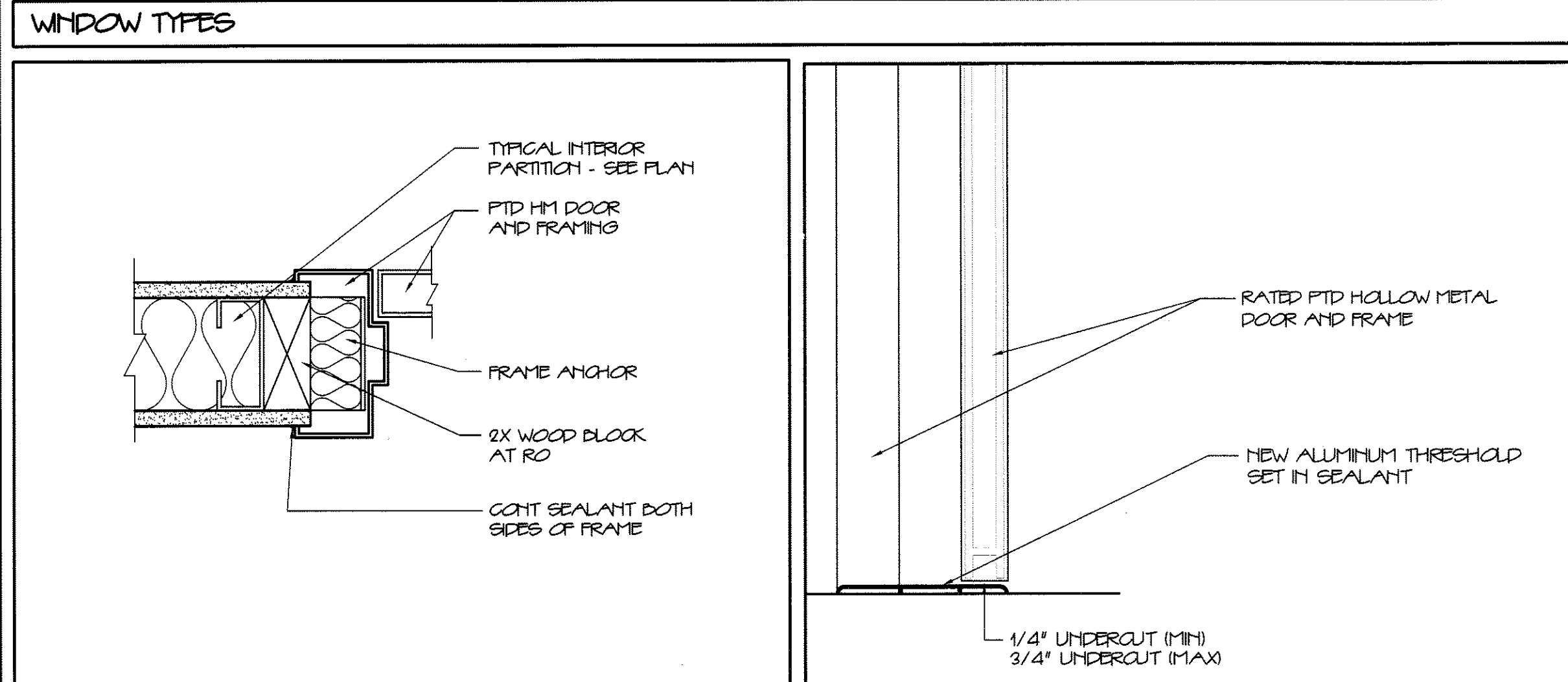


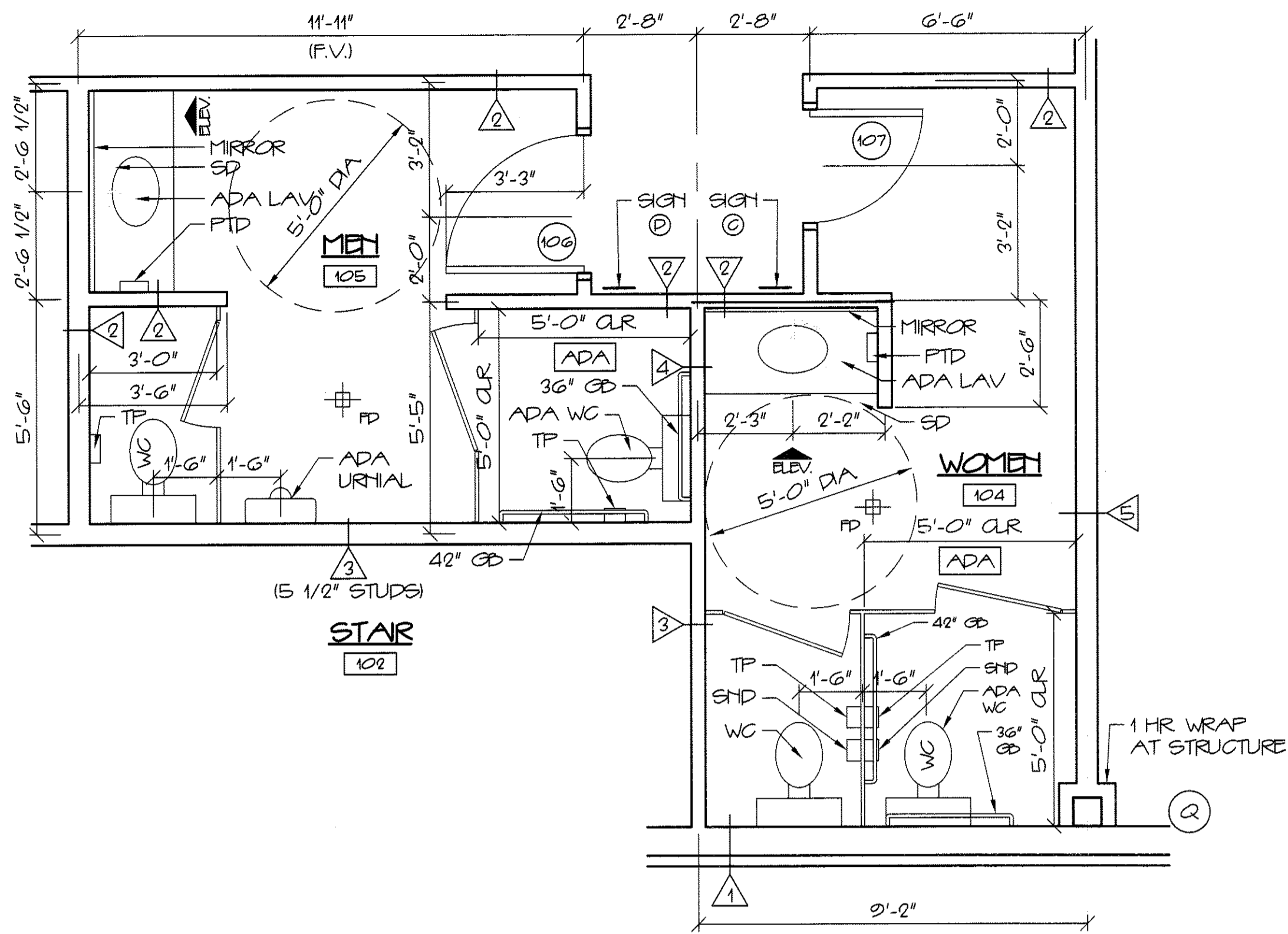
DOOR SCHEDULE

NO.	TYPE	SIZE (W X H)	THK	INSUL	HW	FR	GLASS		REMARKS	TYPE	FR	DETAILS		THRESHOLDS		
							TYPE	SIZE				HEAD	JAMB	MATERIAL	SILL	FIN
101	A	6070 FR	1 3/4"	YES	HW-1	NO	T/TH	FULL		A	NO	T-BREAK	4-A4.1	5-A5.1	ALUM	6-A4.1
102	A	6070 FR	1 3/4"	YES	HW-1	NO	T/TH	FULL		A	NO	T-BREAK	4-A4.1	5-A5.1	ALUM	6-A4.1
103	A	3070 FR	1 3/4"	YES	HW-2	NO	N/H	FULL		B	NO	T-BREAK	4-A4.1	5-A5.1	ALUM	6-A4.1
104	D	3070	1 3/4"	NO	HW-3	1HR	N/H	24X30		C	1HR	DW	1-A4.1	1-A4.1	ALUM	2-A4.1
105	C	3070	1 3/4"	NO	HW-4	NO	NONE	NONE	NOT USED	-	NO	DW	1-A4.1	1-A4.1	NONE	-
106	C	3070	1 3/4"	NO	HW-5	NO	NONE	NONE		C	NO	DW	1-A4.1	1-A4.1	NONE	-
107	C	3070	1 3/4"	NO	HW-5	NO	NONE	NONE		C	NO	DW	1-A4.1	1-A4.1	NONE	-
108	C	3070	1 3/4"	NO	EXISTG *	1HR	NONE	NONE	* REUSE & REMOVE DOOR	C	1HR	DW	1-A4.1	1-A4.1	NONE	-
201	C	3070	1 3/4"	NO	HW-6	1HR	NONE	NONE		C	1HR	DW	1-A4.1	1-A4.1	ALUM	2-A4.1



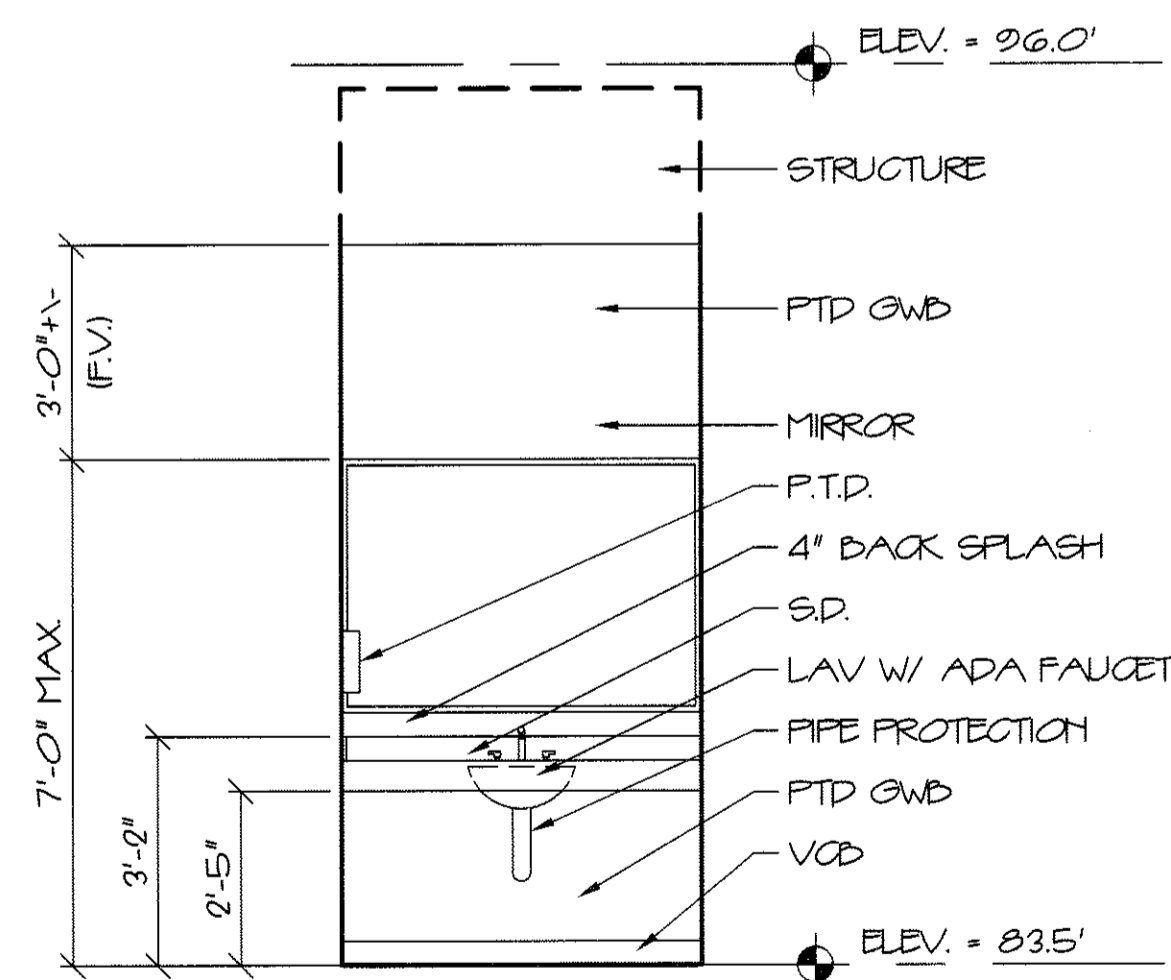
- #### HW-1 EXTERIOR PAIR DOORS
- 6 BUTTS
 - 2 CLOSERS
 - 2 EXIT DEVICES WITH EXTERIOR PULLS & CONCEALED RODS
 - 1 THRESHOLD
 - 2 DOOR BOTTOMS
 - 1 WEATHERSTRIPPING JAMB/HEAD SET
- #### HW-2 EXTERIOR SINGLE DOOR
- 3 BUTTS
 - 1 CLOSER
 - 1 EXIT DEVICES WITH EXTERIOR PULL
 - 1 THRESHOLD
 - 1 DOOR BOTTOM
 - 1 WEATHERSTRIPPING JAMB/HEAD SET
- #### HW-3 INTERIOR SINGLE RATED DOOR
- 3 BUTTS
 - 1 CLOSERS
 - 1 EXIT DEVICES WITH PULL
 - 1 THRESHOLD
 - 1 DOOR BOTTOM
 - 1 WEATHERSTRIPPING JAMB/HEAD SET
- #### HW-4 INTERIOR SINGLE DOOR
- 3 BUTTS
 - 1 LEVER LOCKSET - STORE ROOM FUNCTION
 - 2 FRAME SILENCERS
- #### HW-5 INTERIOR SINGLE DOOR
- 3 BUTTS
 - 1 CLOSER
 - 1 PUSH PLATE WITH PULL
 - 2 FRAME SILENCERS
- #### HW-6 INTERIOR SINGLE RATED DOOR
- 3 BUTTS
 - 1 CLOSER
 - 1 LEVER LATCHSET - OFFICE FUNCTION
 - 2 FRAME SILENCERS



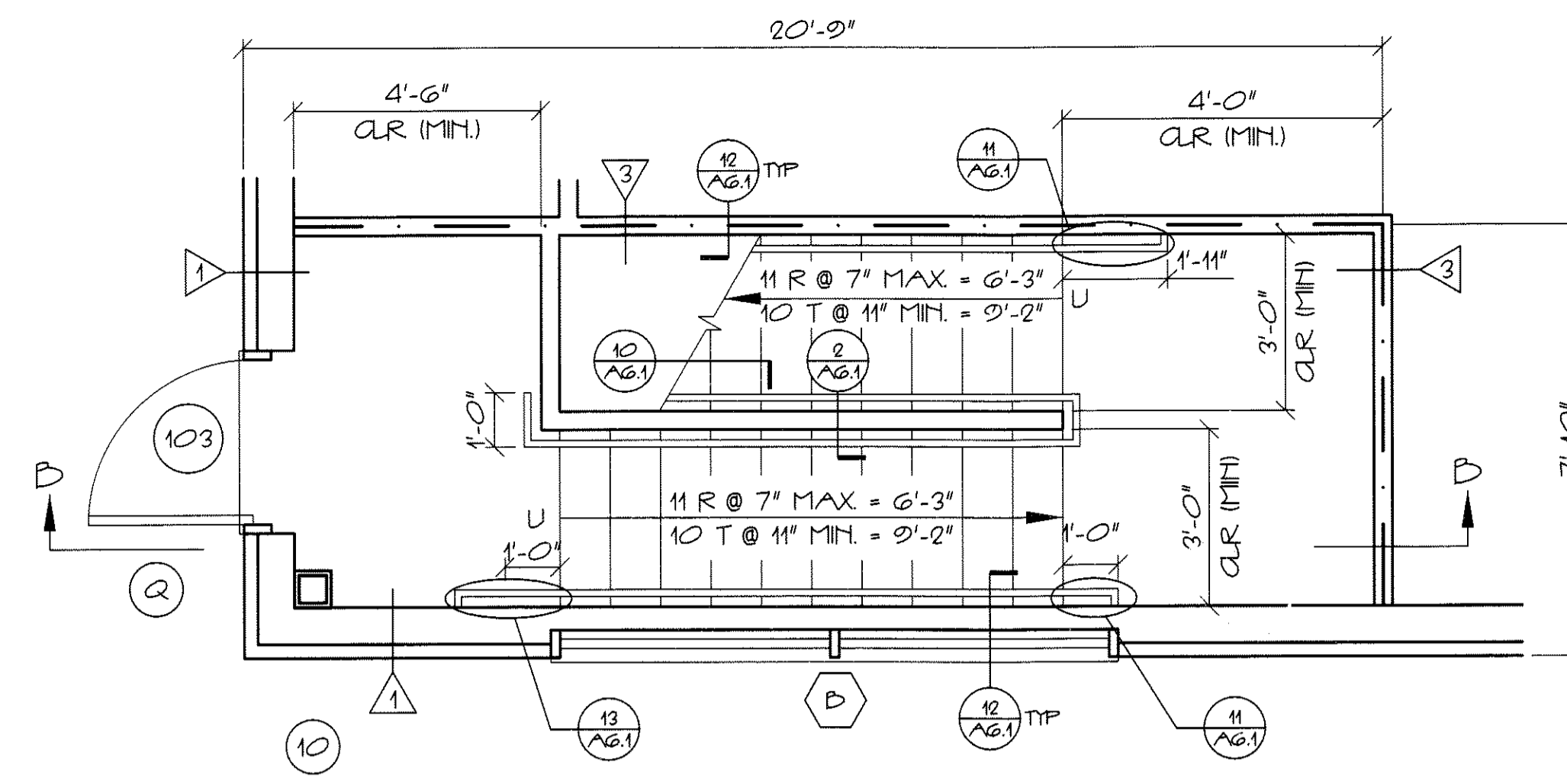


FLOOR PLAN AT MEN/WOMEN
3/8" = 1'-0"

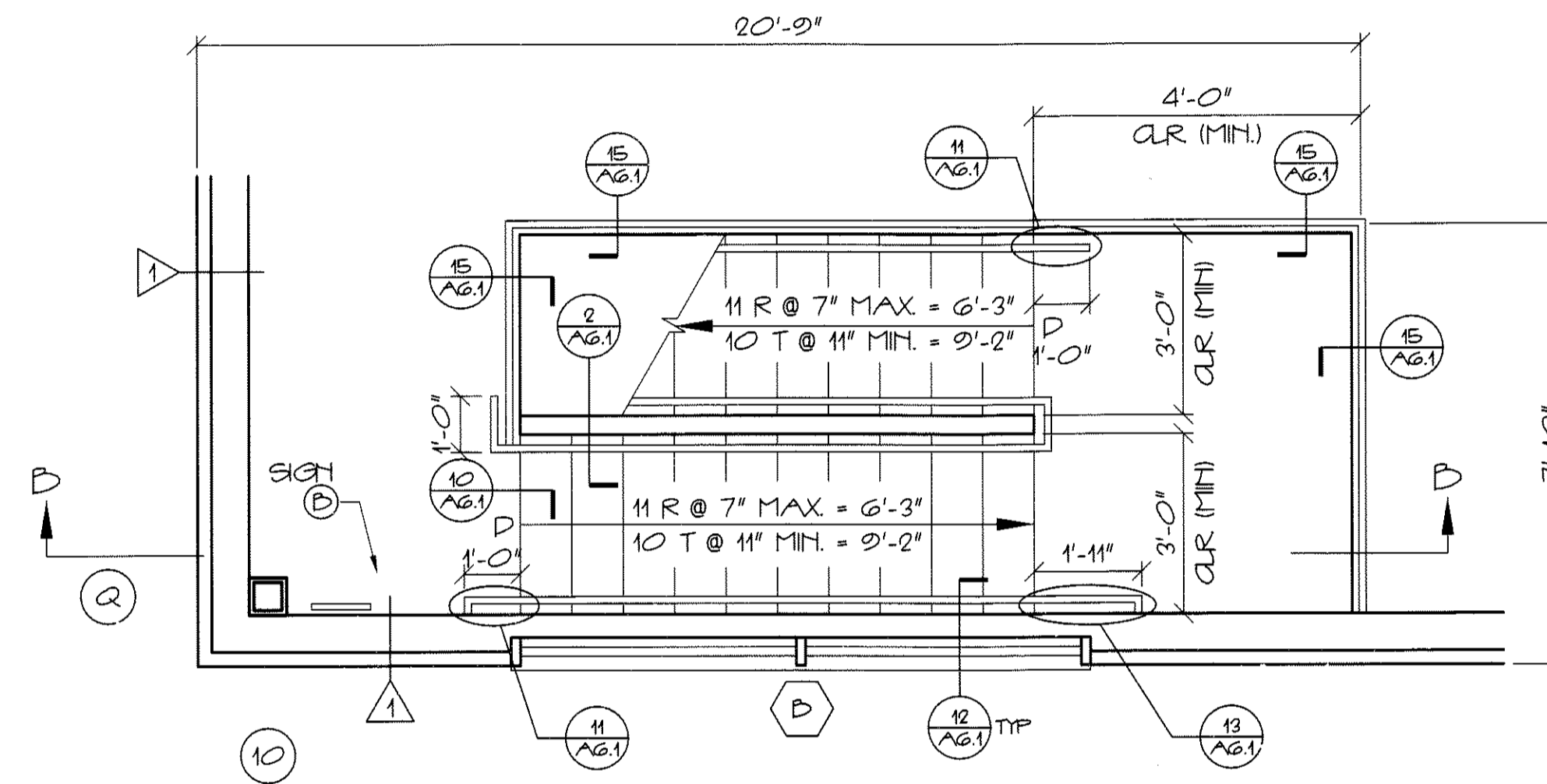
NOTE: SEE SHEET A7.1 FOR ACCESSIBILITY MOUNTING HEIGHTS & CLEARANCE CRITERIA.



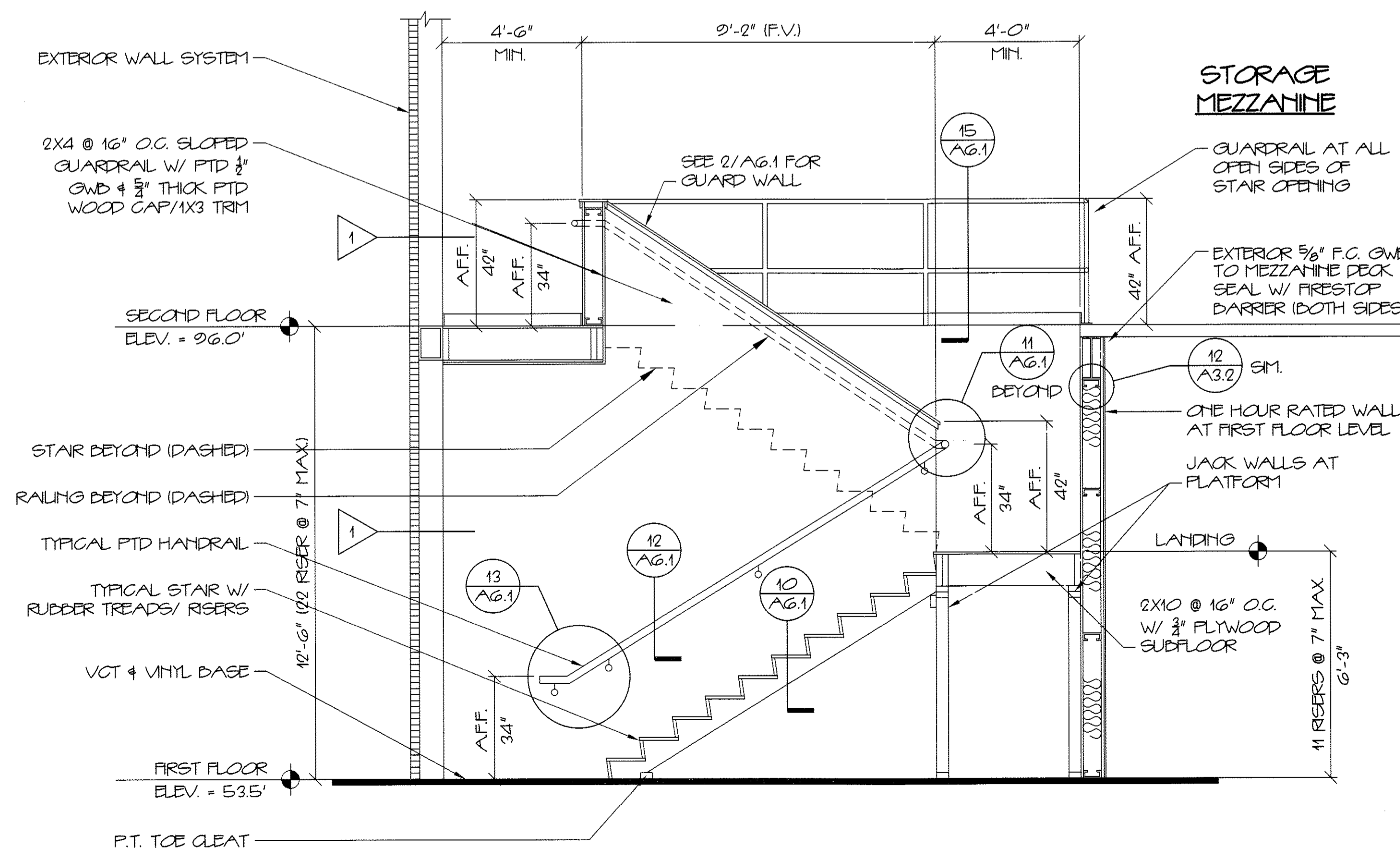
ADA LAVATORY ELEVATION
3/8" = 1'-0"



FIRST FLOOR PLAN - STAIR 102
11 HOUR RATED
3/8" = 1'-0"



SECOND FLOOR PLAN - STAIR 202
3/8" = 1'-0"



STAIR SECTION D-D
3/8" = 1'-0"

G R A N T H A Y S A S S O C I A T E S

LICENSED ARCHITECT
MICHAEL F. HAYS
No. 1724
STATE OF MAINE

REVISIONS

NEW ADDITION FOR
ALLAGASH BREWING CO.
50 INDUSTRIAL WAY PORTLAND, MAINE

JOB TITLE

ARCHITECTURE
INTERIOR DESIGN
P.O. BOX 6179 PALMOUTH, MAINE 04105

TEL: (207) 871-5900
FAX: (207) 871-9308

DRAWING TITLE
WET CORE & STAIRS

SCALE AS NOTED

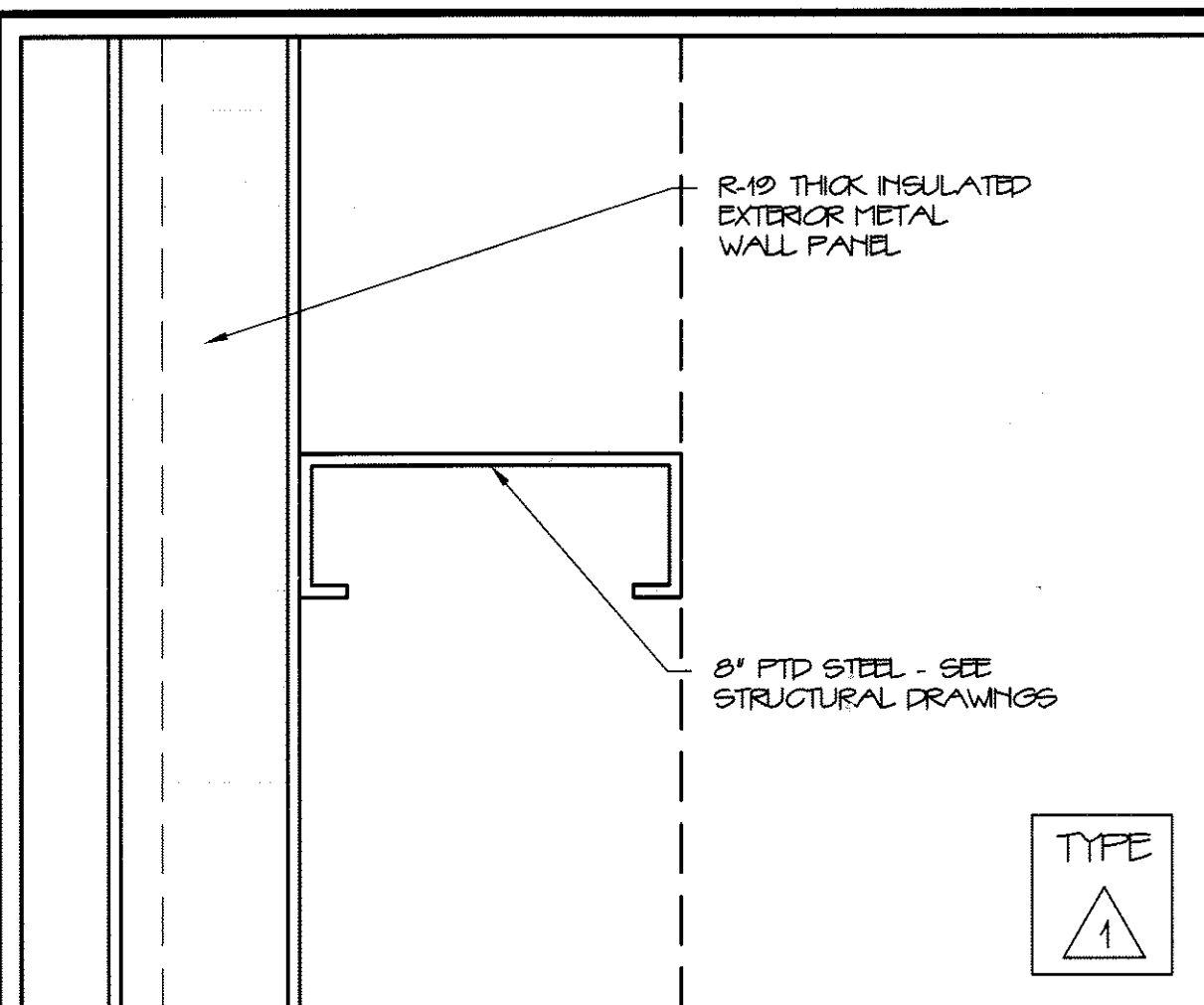
DATE 10 SEPT. 12

DRAWN BY SAM/MPH

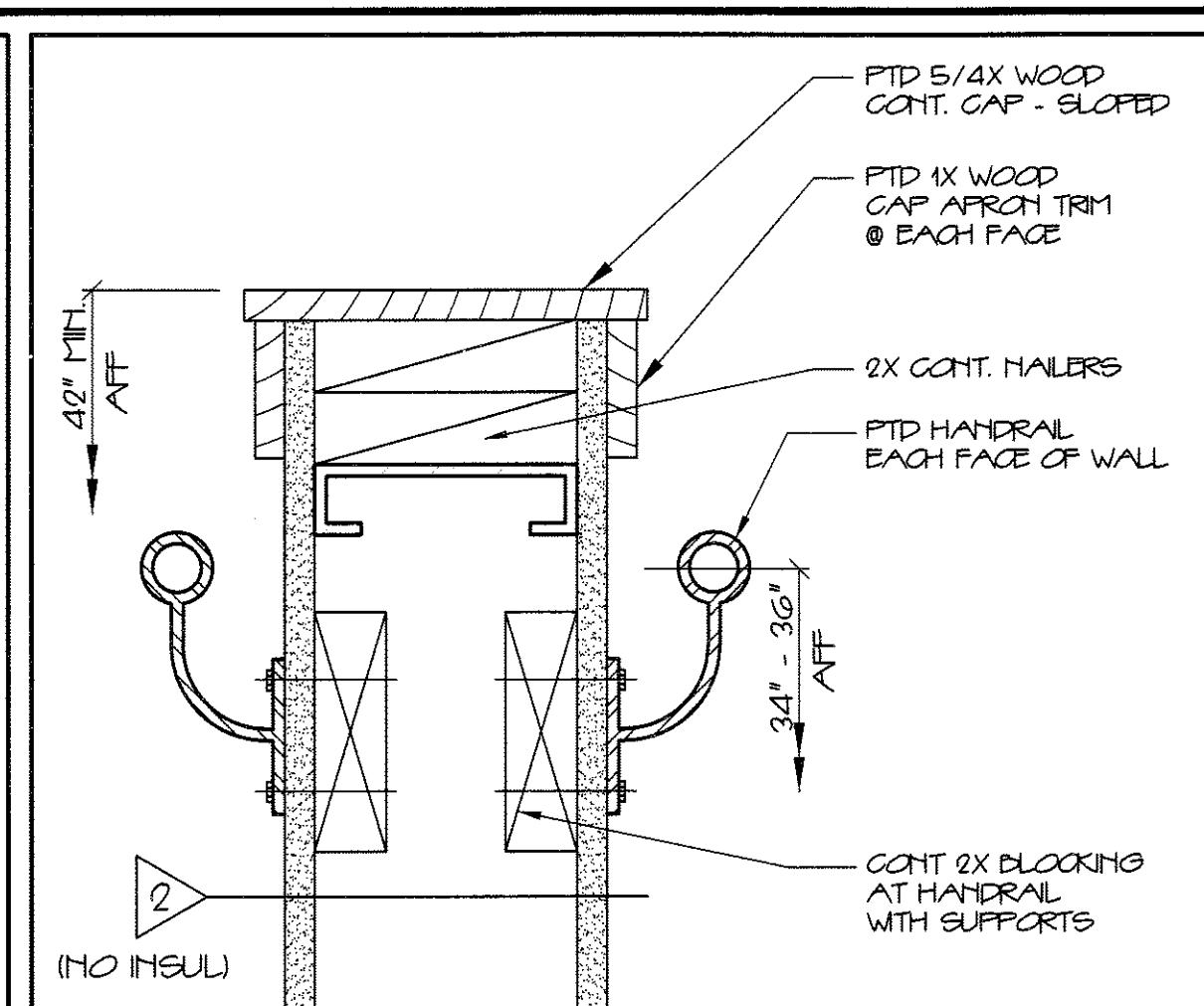
JOB NO. 120701

DRAWING NO.

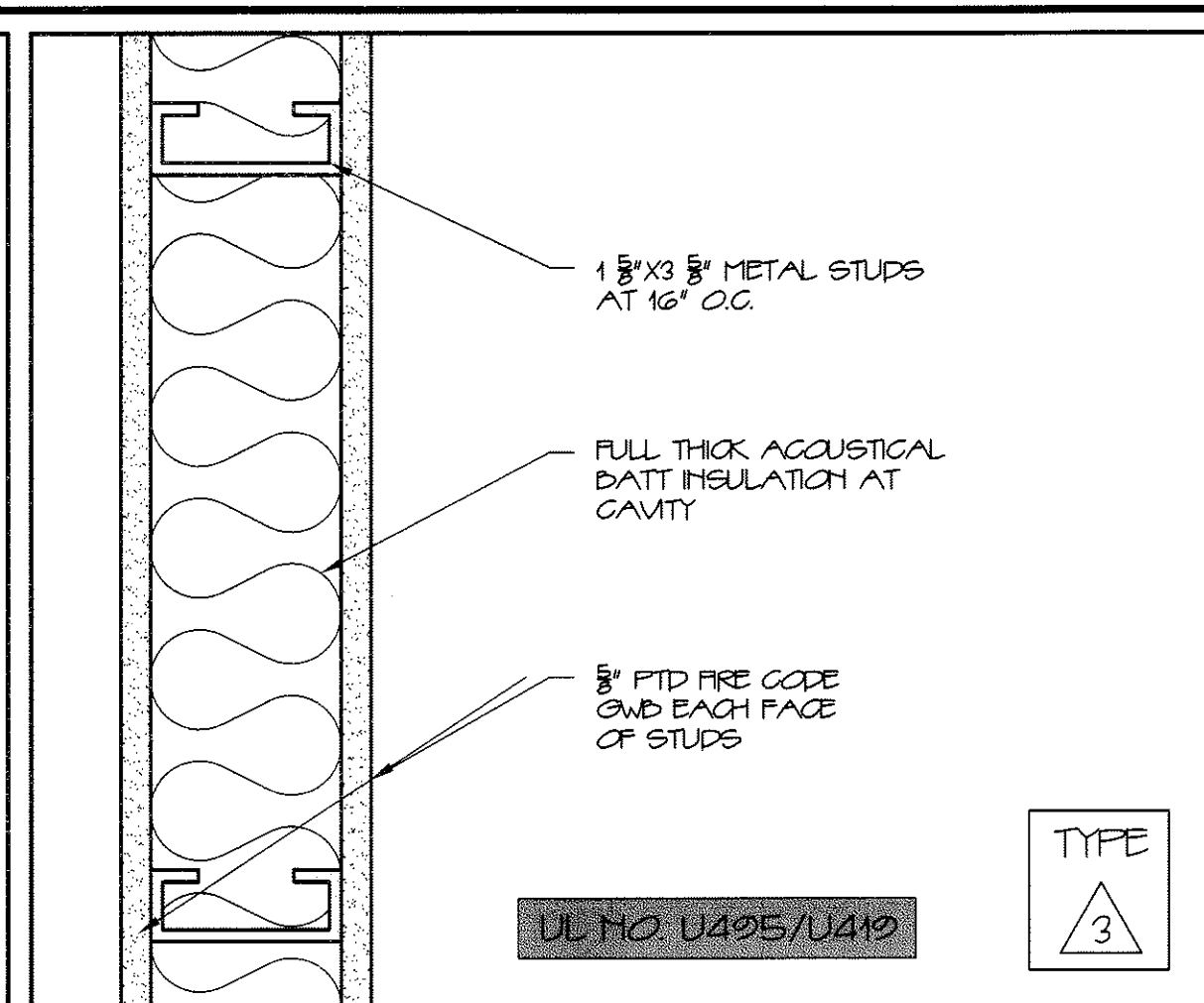
A5.1



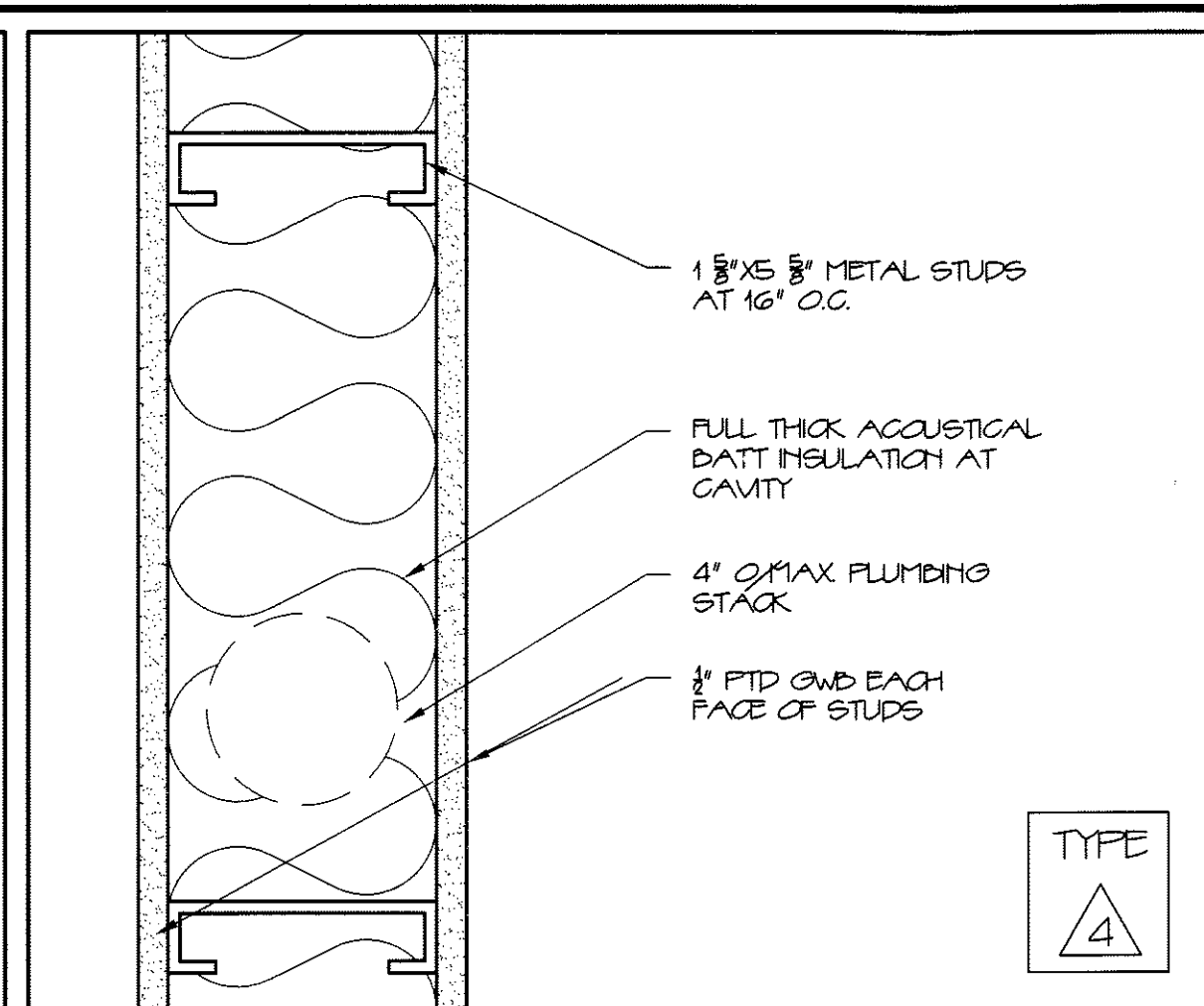
1 EXTERIOR PANEL WALL 3'-1'-0"



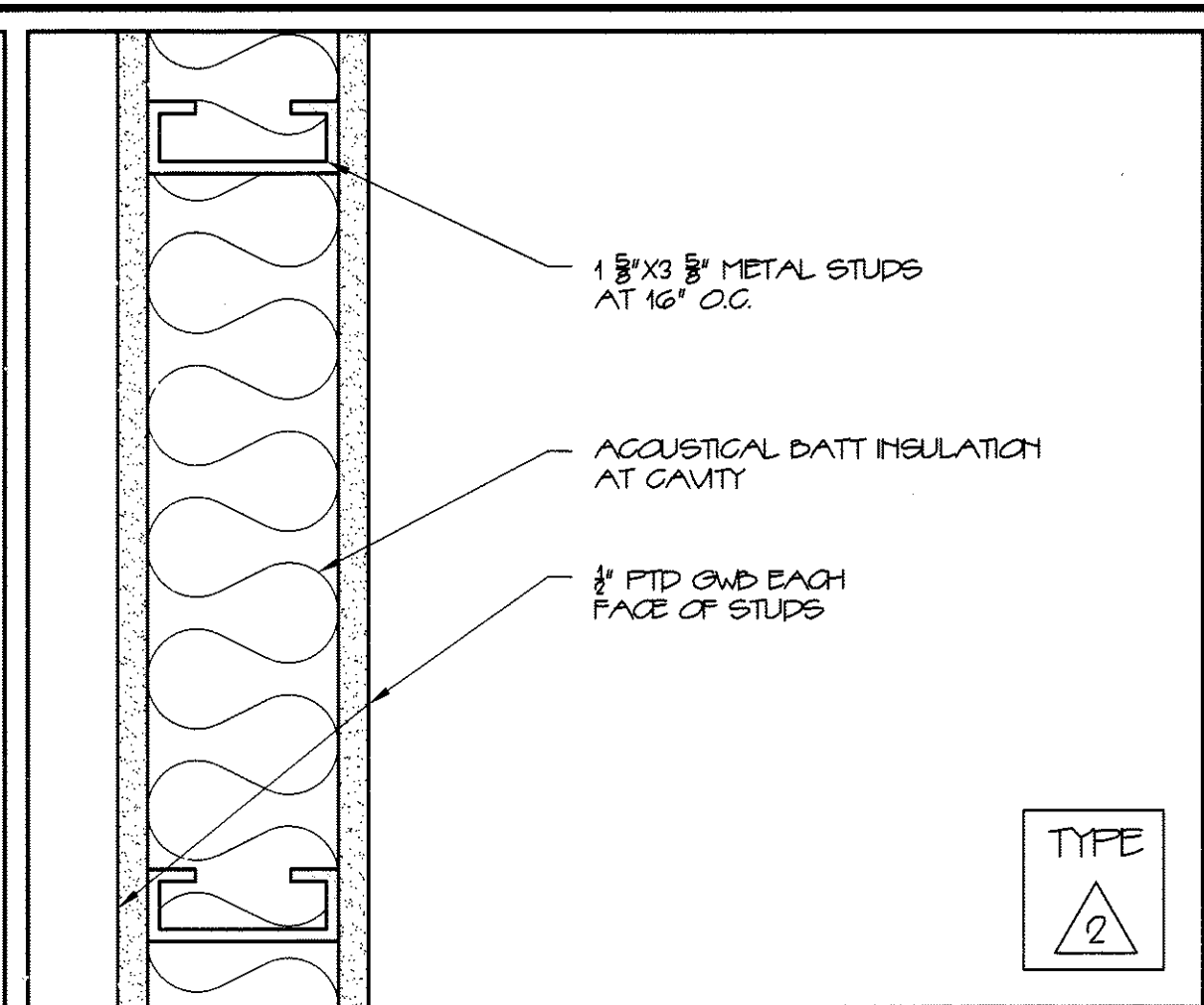
2 STAIR GUARDRAIL 3'-1'-0"



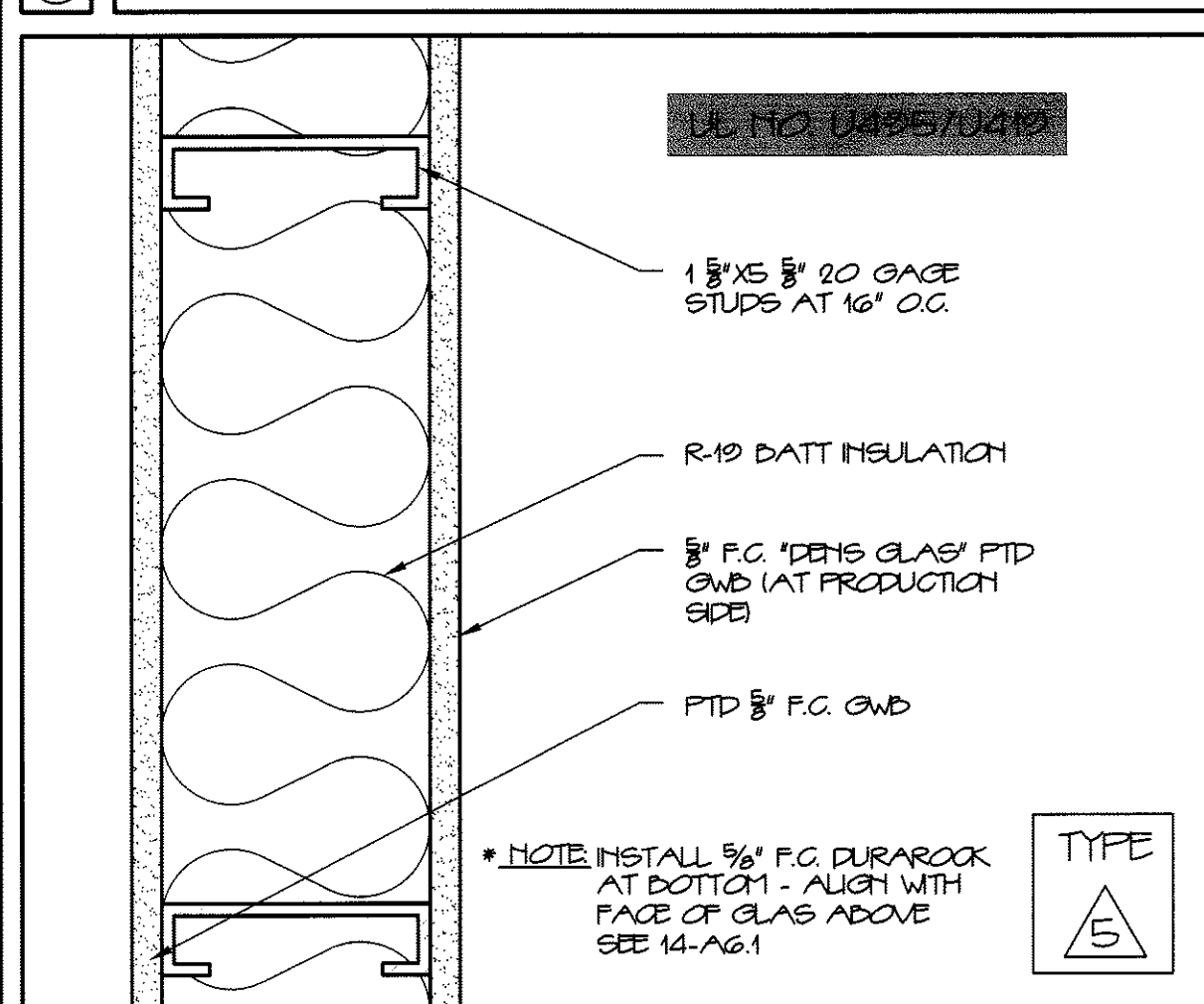
3 INTERIOR ONE HR RATED STUD PARTITION 3'-1'-0"



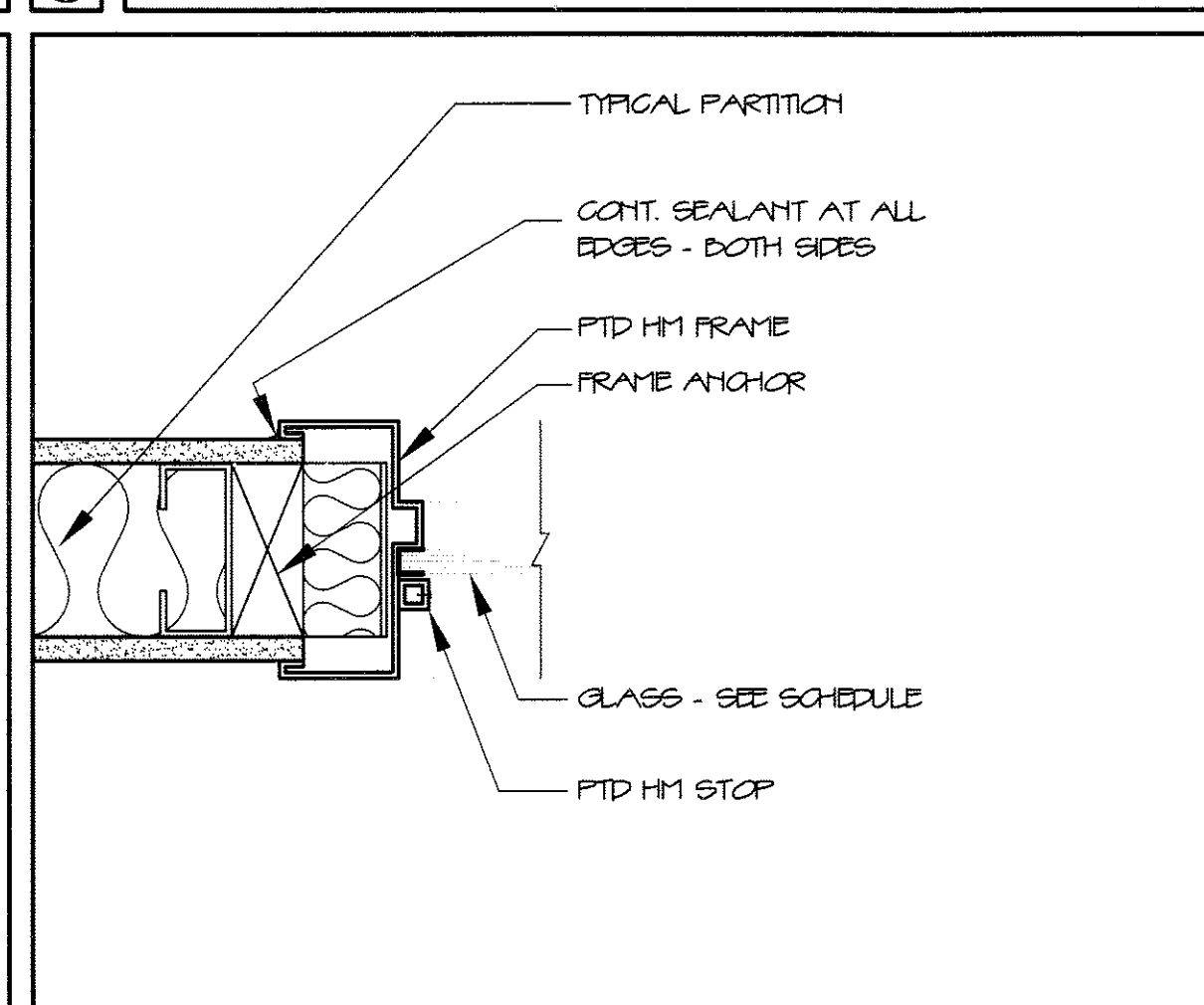
4 INTERIOR STUD PLUMBING PARTITION 3'-1'-0"



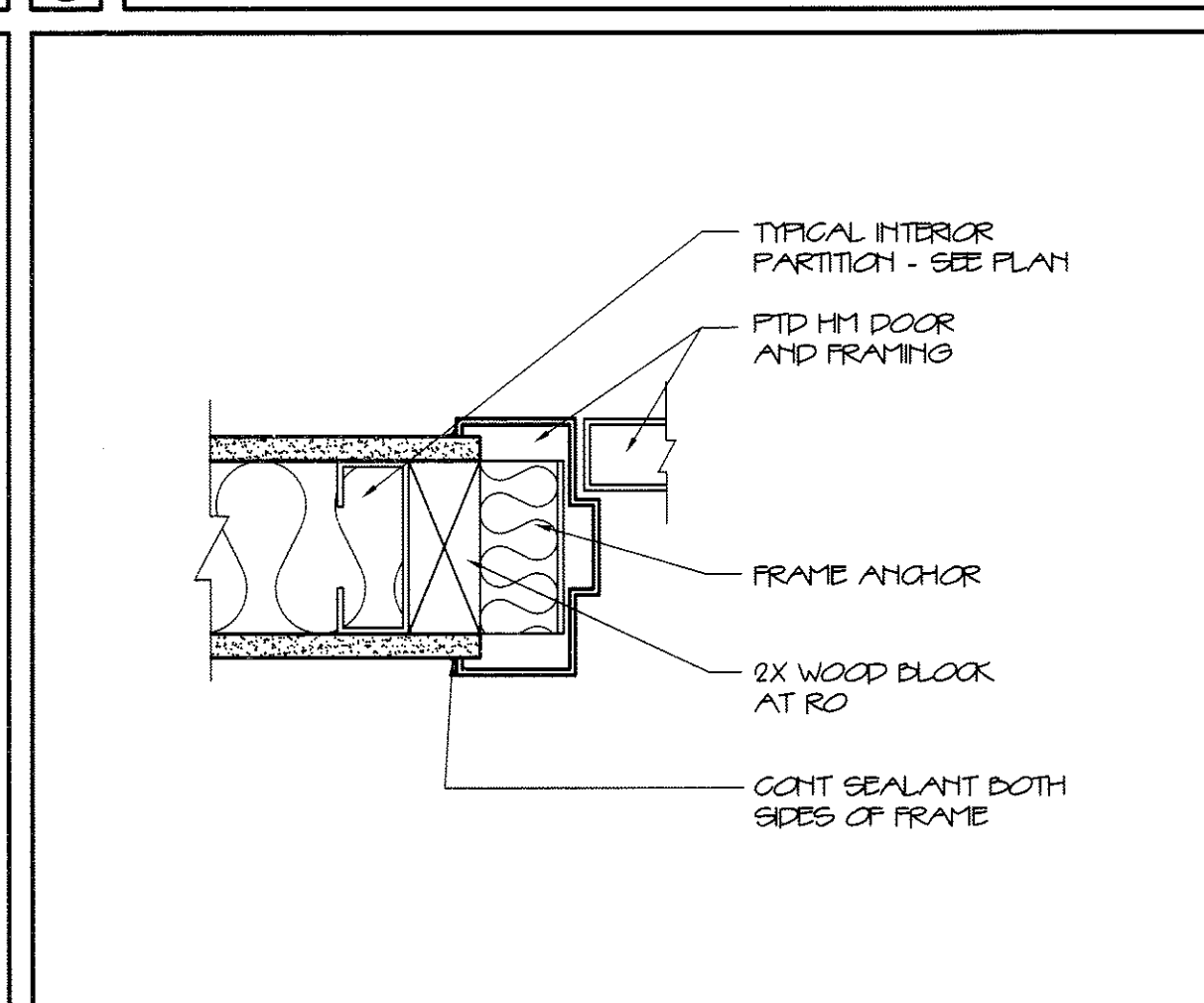
5 INTERIOR STUD PARTITION 3'-1'-0"



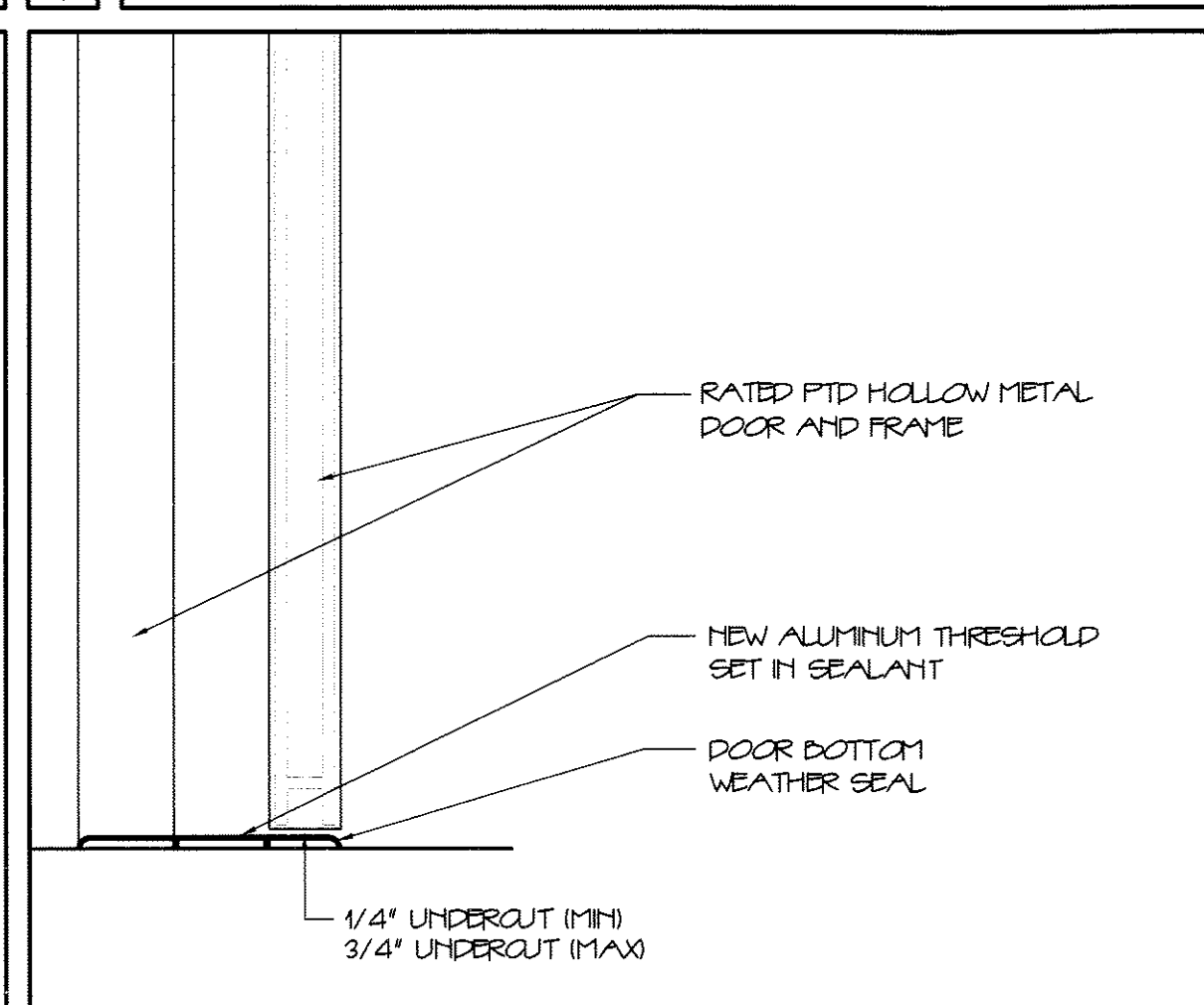
6 ONE HOUR RATED PARTITION 3'-1'-0"



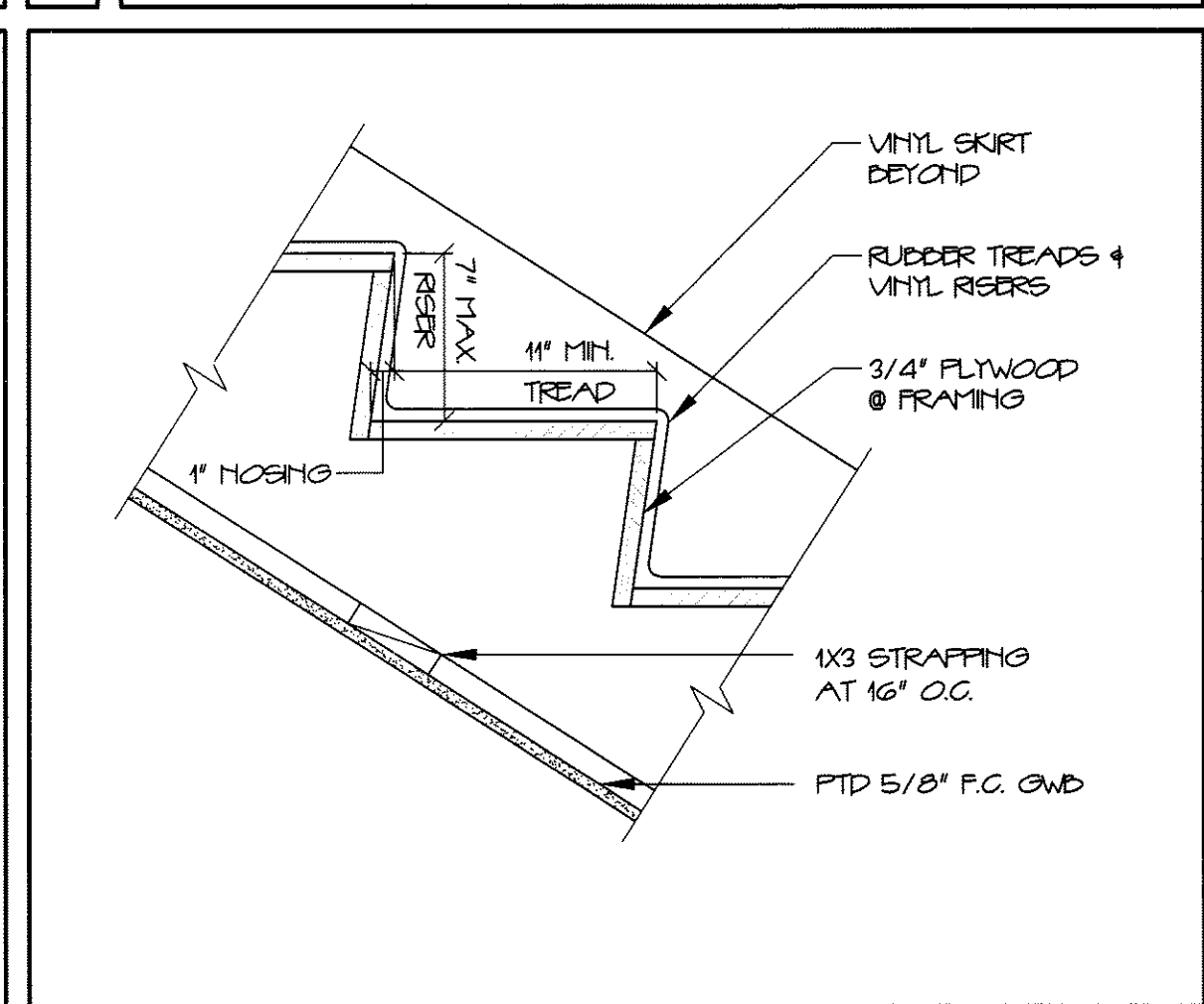
7 INTERIOR H.M. WINDOW 3'-1'-0"



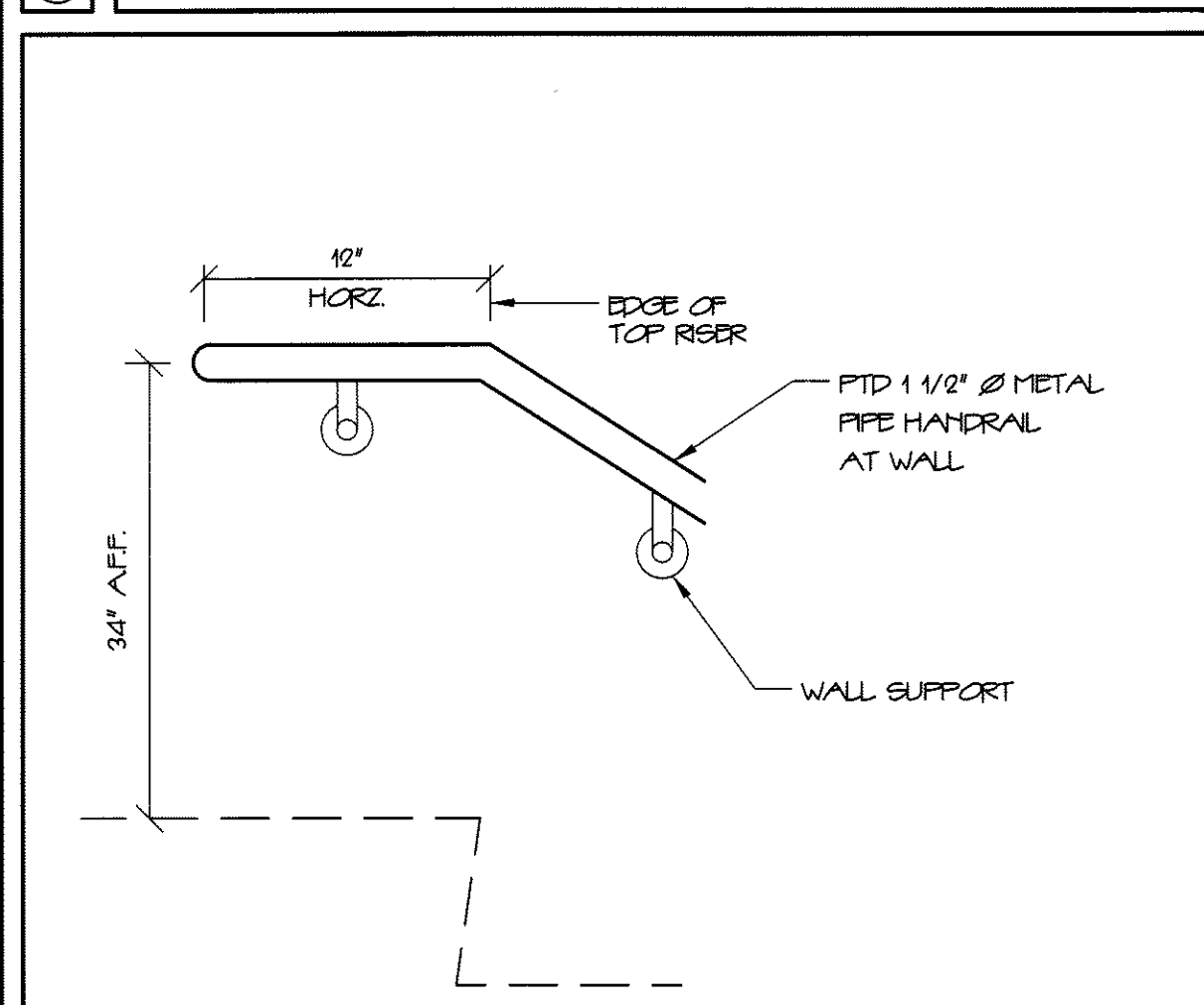
8 TYPICAL H.M. DOOR JAMB (HEAD S.M.) 3'-1'-0"



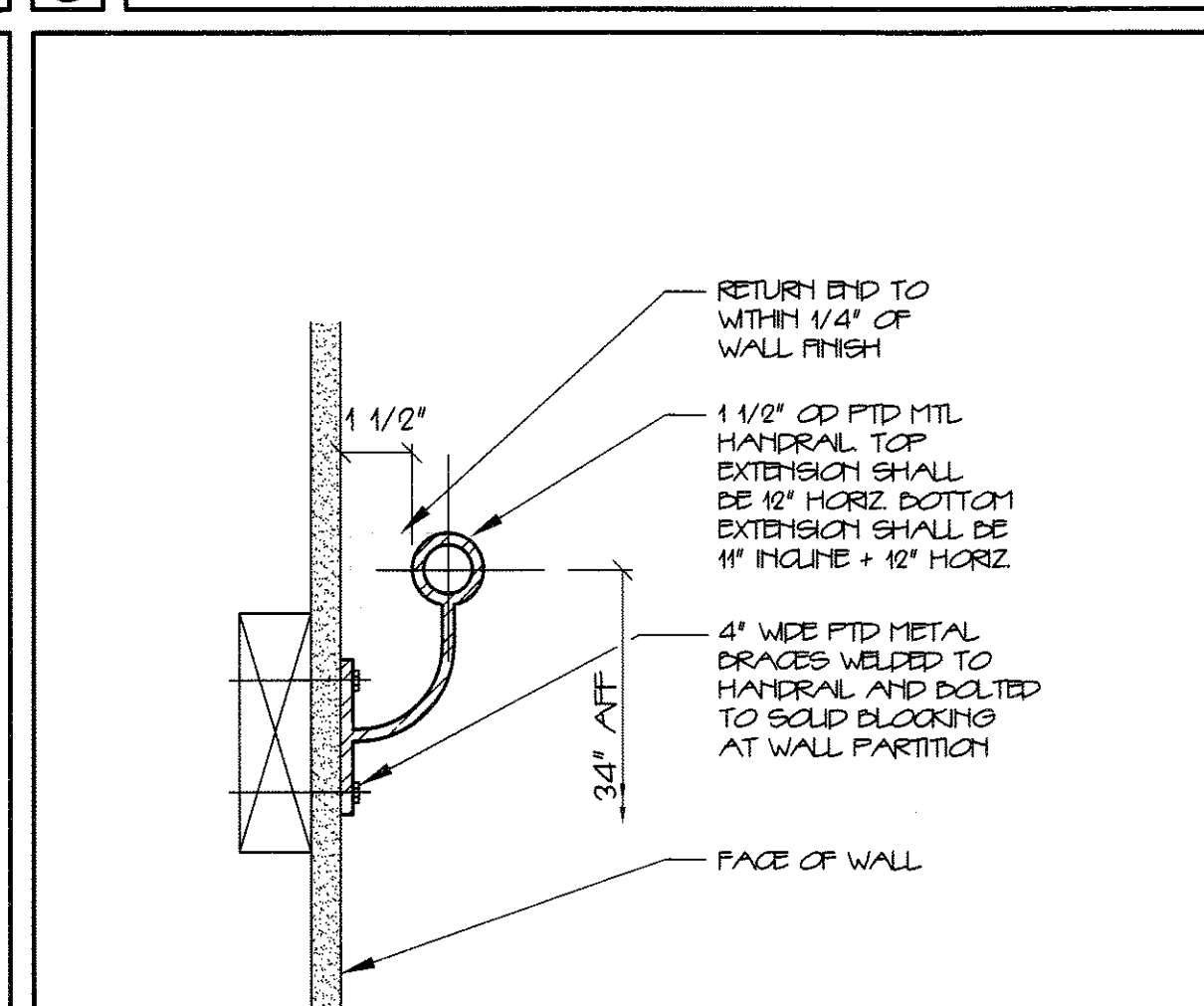
9 INTERIOR SILL DETAIL 3'-1'-0"



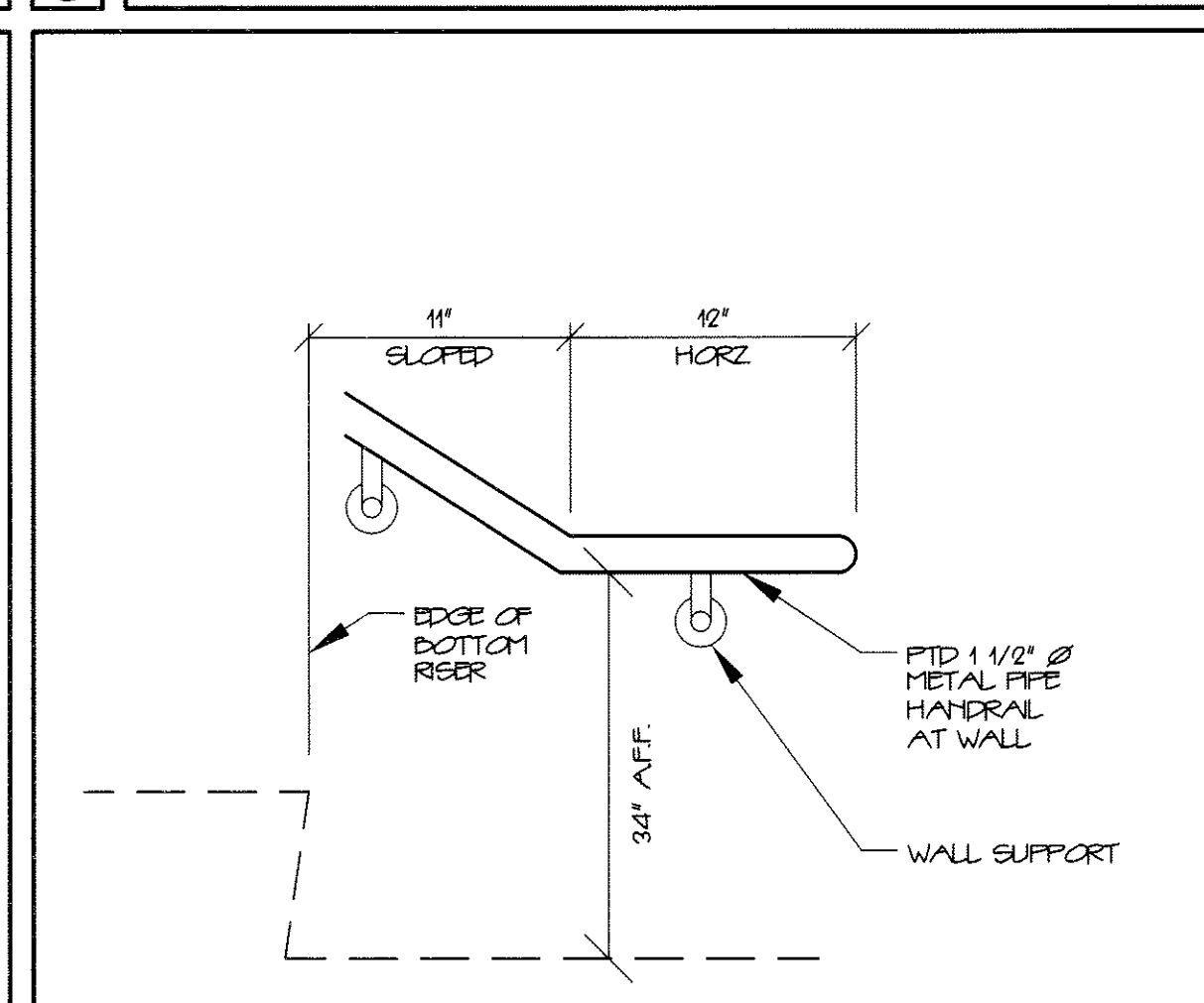
10 TYPICAL STAIR DETAIL 1 1/2'-1'-0"



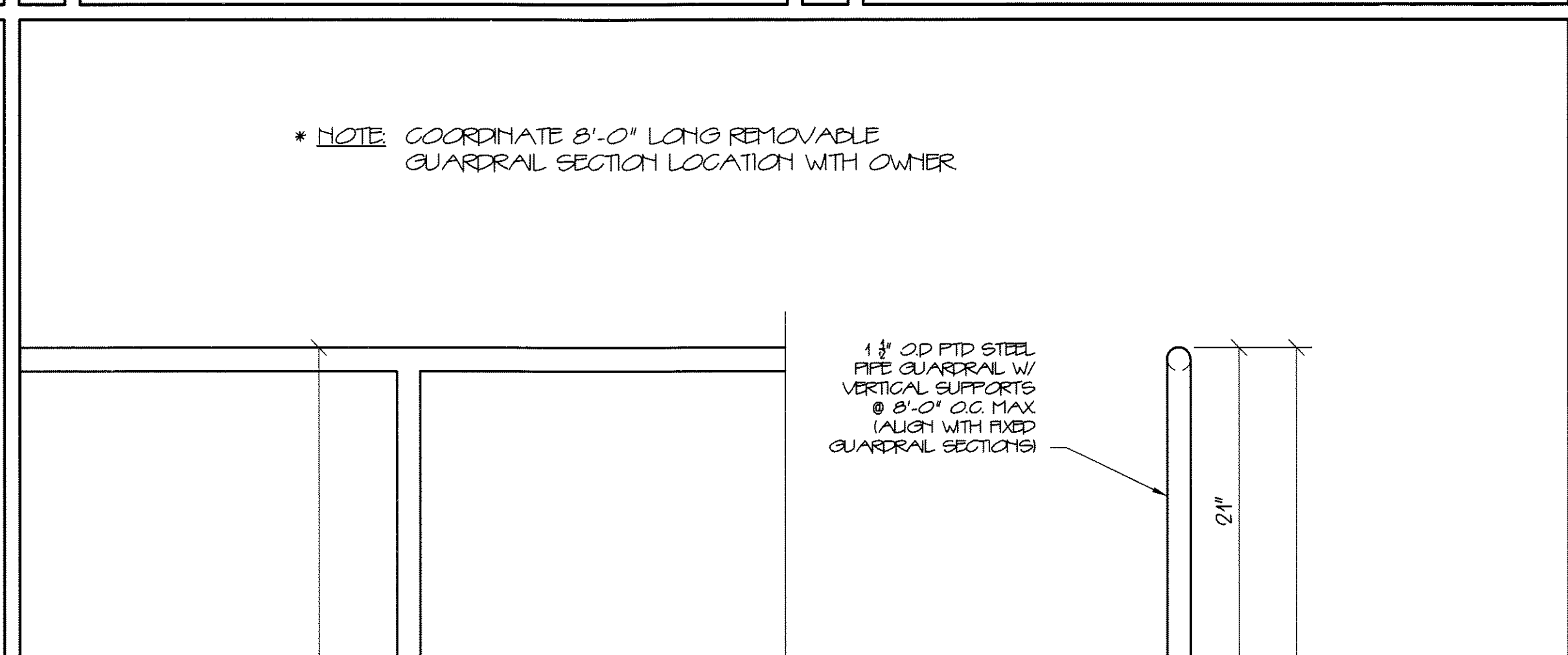
11 TYPICAL HANDRAIL - TOP 1 1/2'-1'-0"



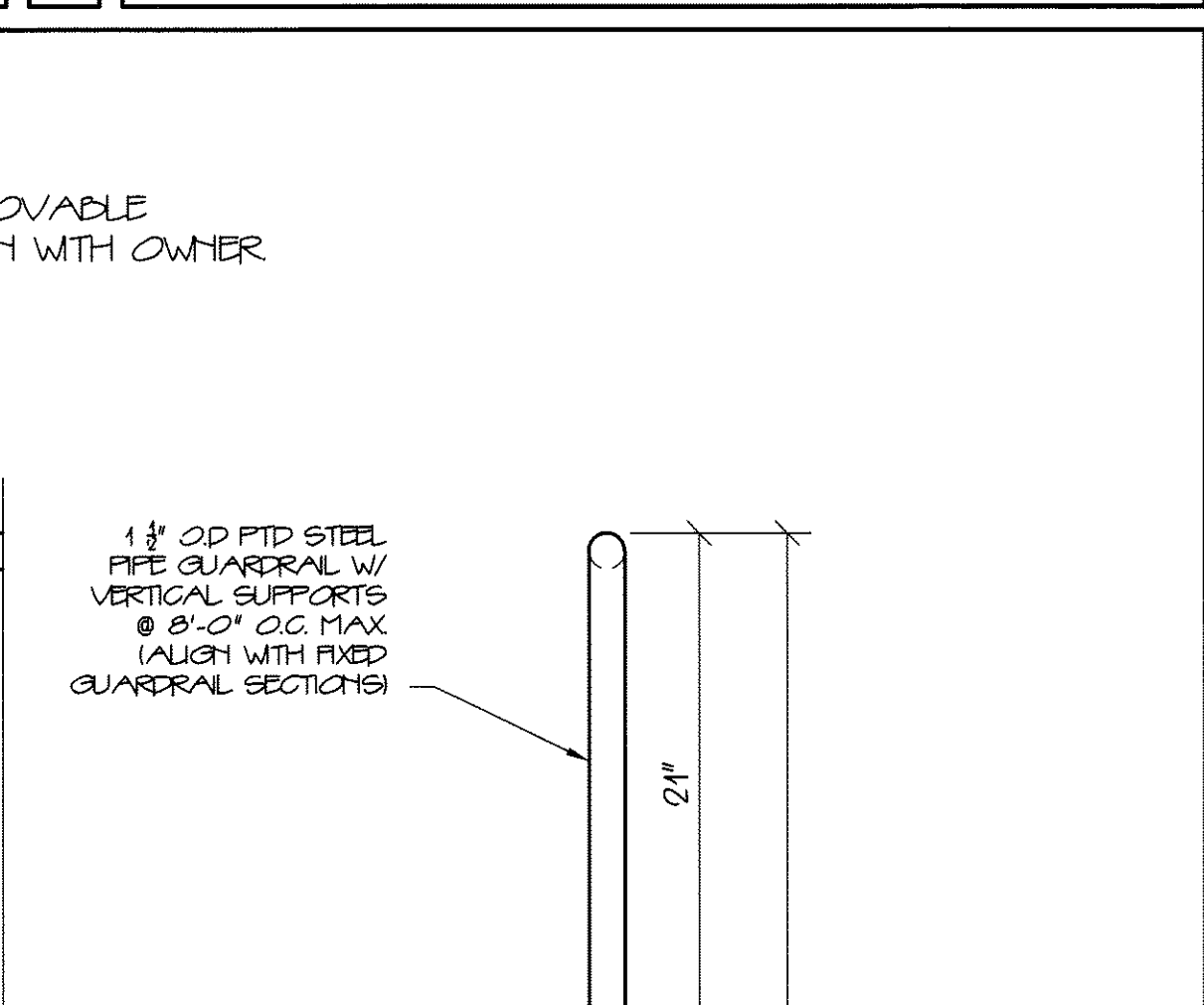
12 TYPICAL HANDRAIL SECTION 3'-1'-0"



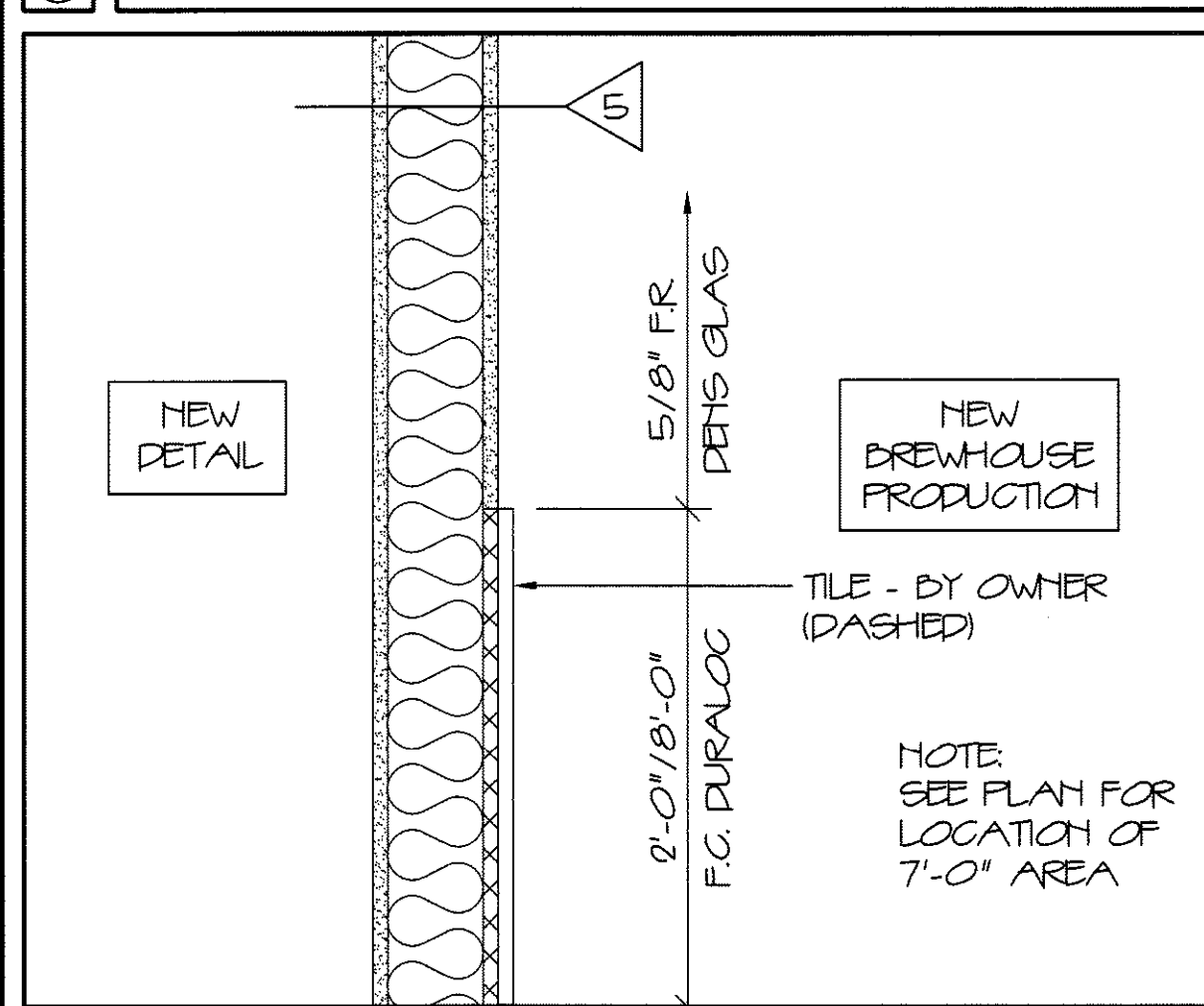
13 TYPICAL HANDRAIL - BOTTOM 1 1/2'-3'-0"



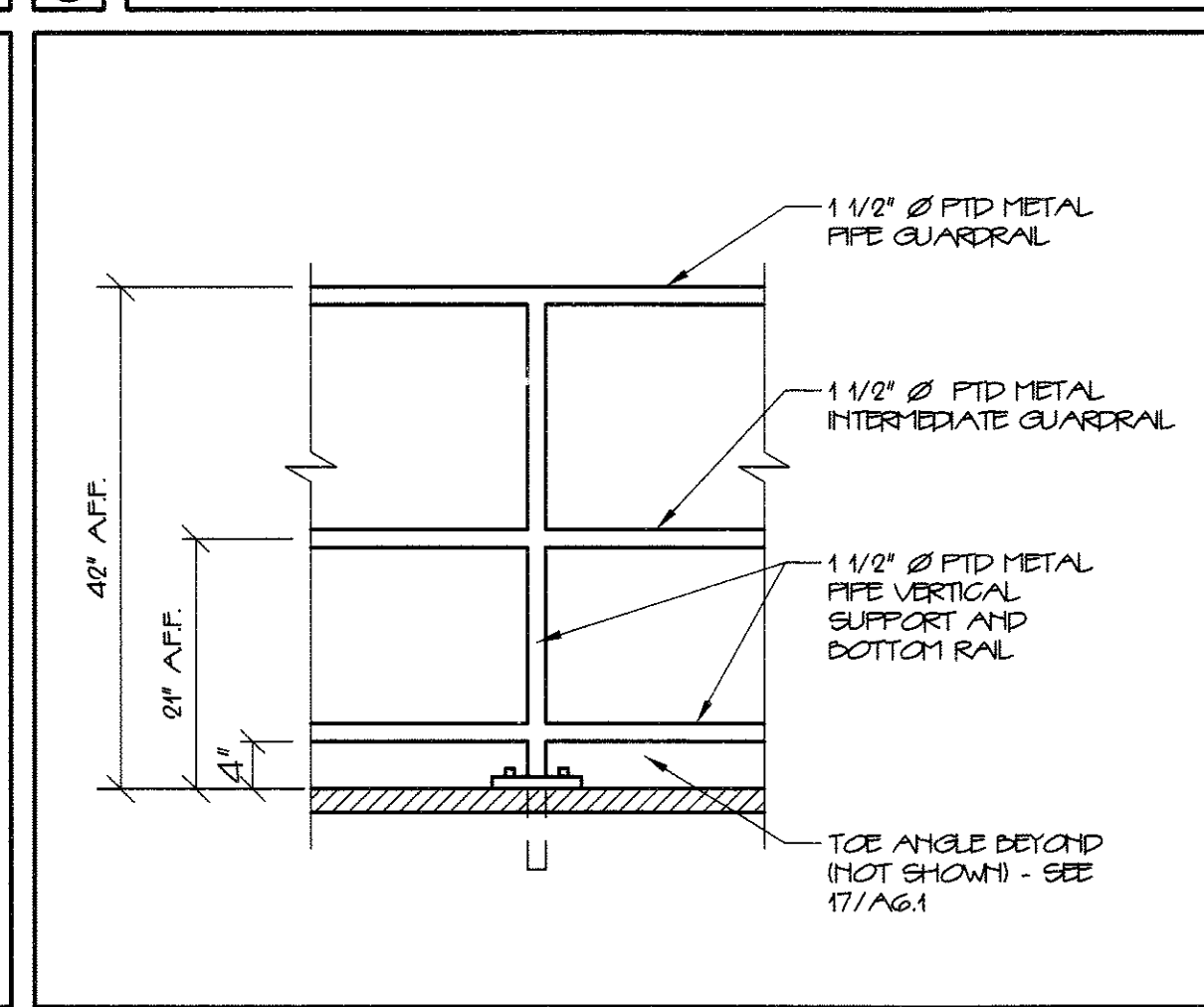
14 DURAROCK BASE DETAIL 1'-1'-0"



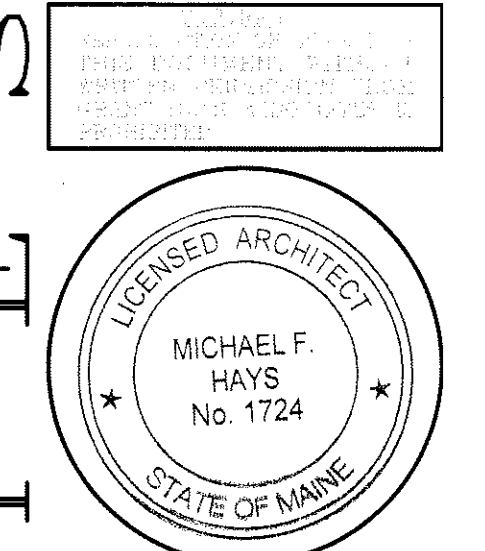
15 TYPICAL GUARDRAIL 3/4'-1'-0"



16 S.S. WASH DETAIL AT BREWHOUSE 1 1/2'-1'-0"



17 MEZZANINE GUARDRAIL - REMOVABLE SECTION DETAIL 1 1/2' = 1'-0"



REVISIONS

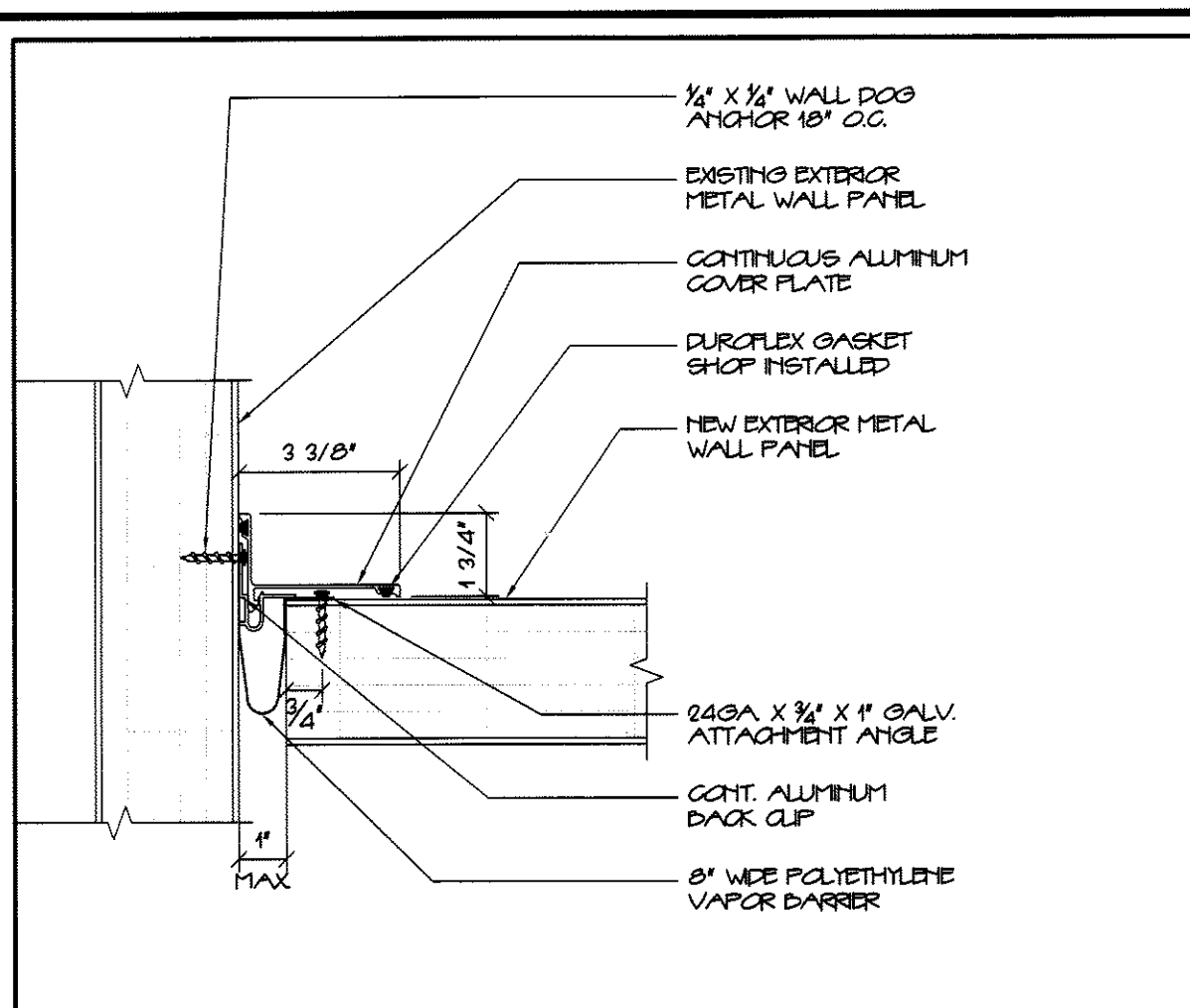
--	--

NEW ADDITION FOR
ALLAGASH BREWING CO.
 50 INDUSTRIAL WAY PORTLAND, MAINE

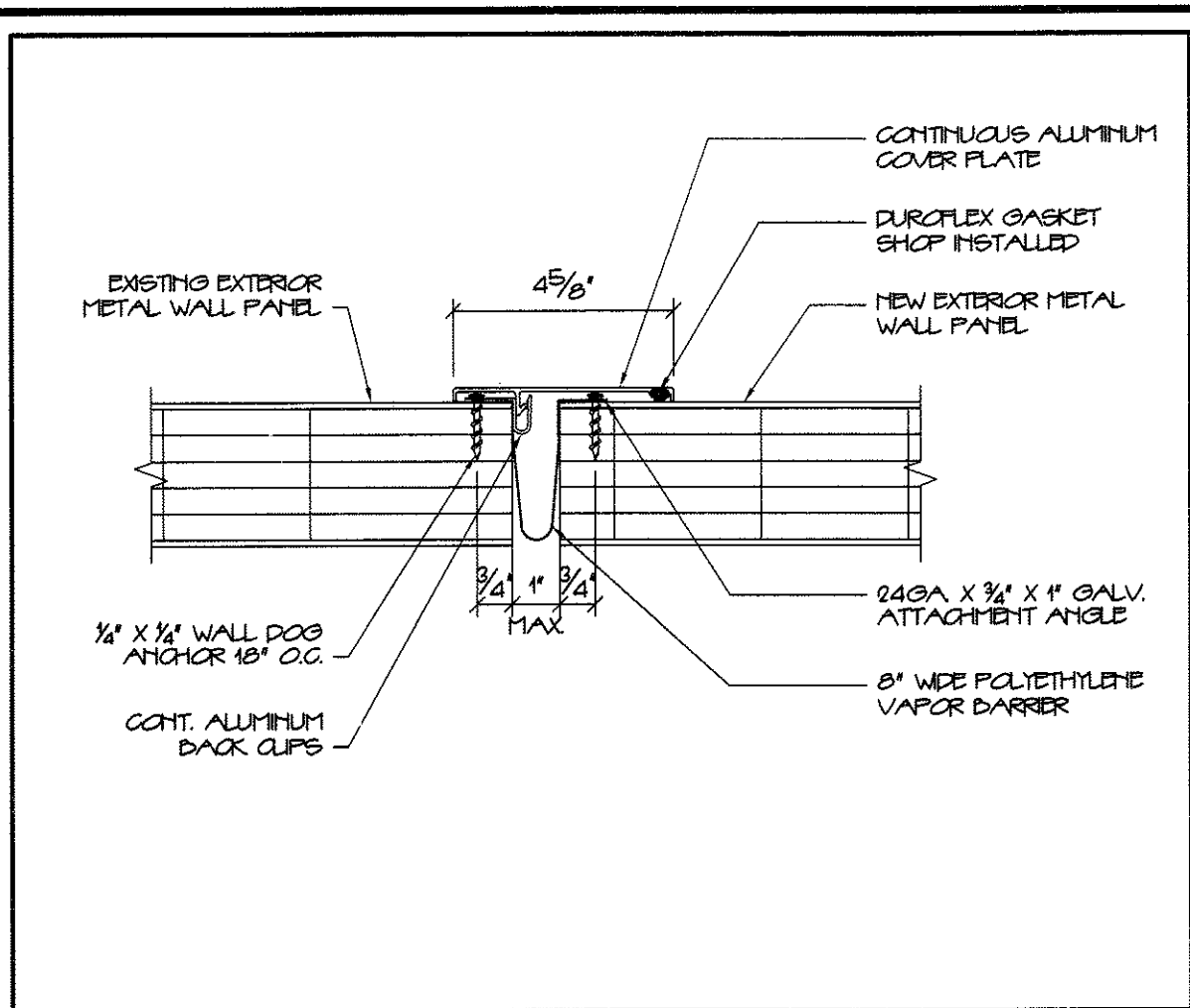
HAYES
 ARCHITECTURE
 INTERIOR DESIGN
 P.O. BOX 6179 FALMOUTH, MAINE 04105
 (207) 871-5900
 (207) 871-9308

DETAILS
 DRAWING TITLE

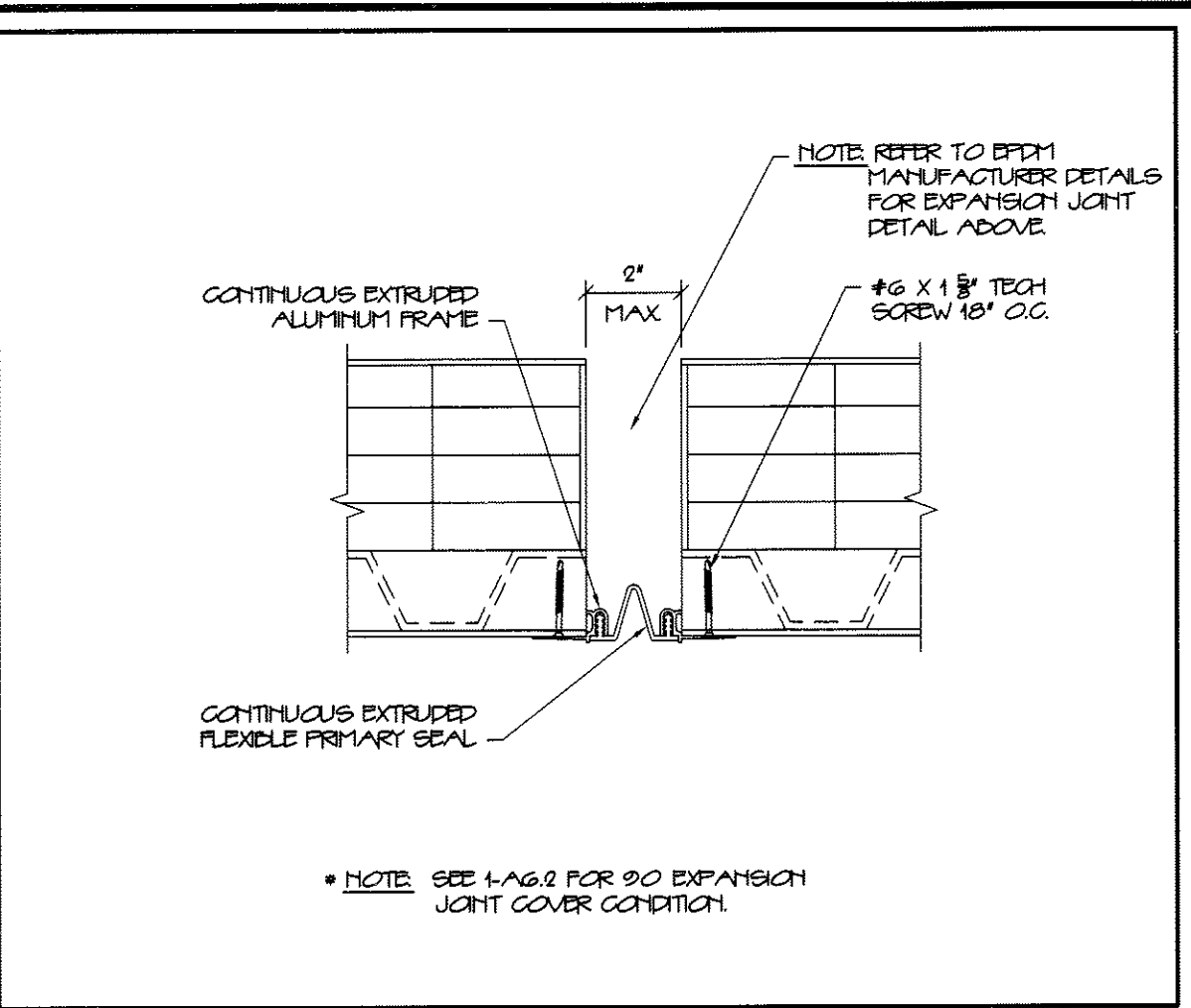
SCALE AS NOTED
 DATE 10 SEPT. 12
 DRAWN BY MFH/SAM
 JOB NO. 120701
 DRAWING NO.



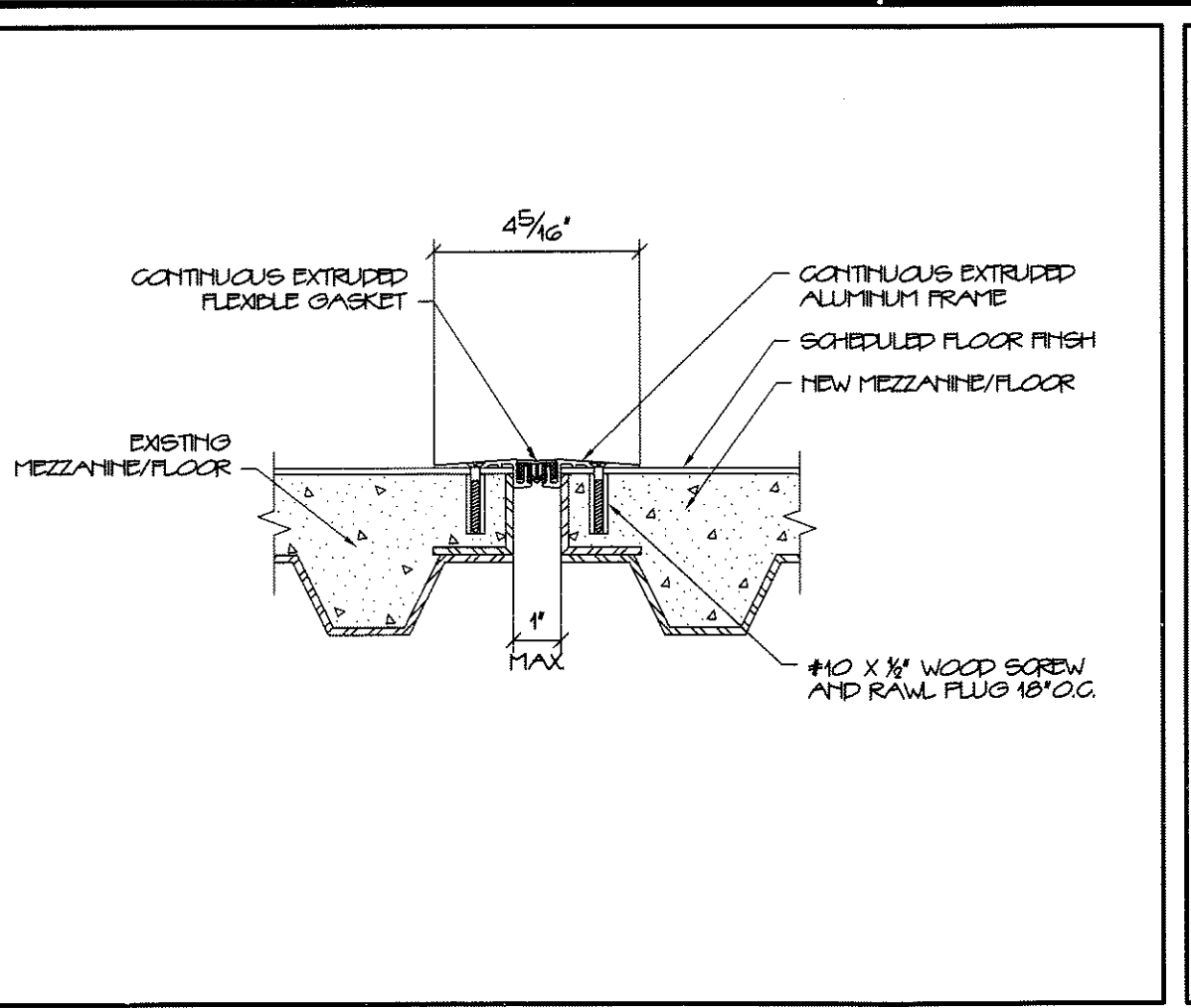
① EXPANSION JOINT COVER @ CORNER N.T.S.



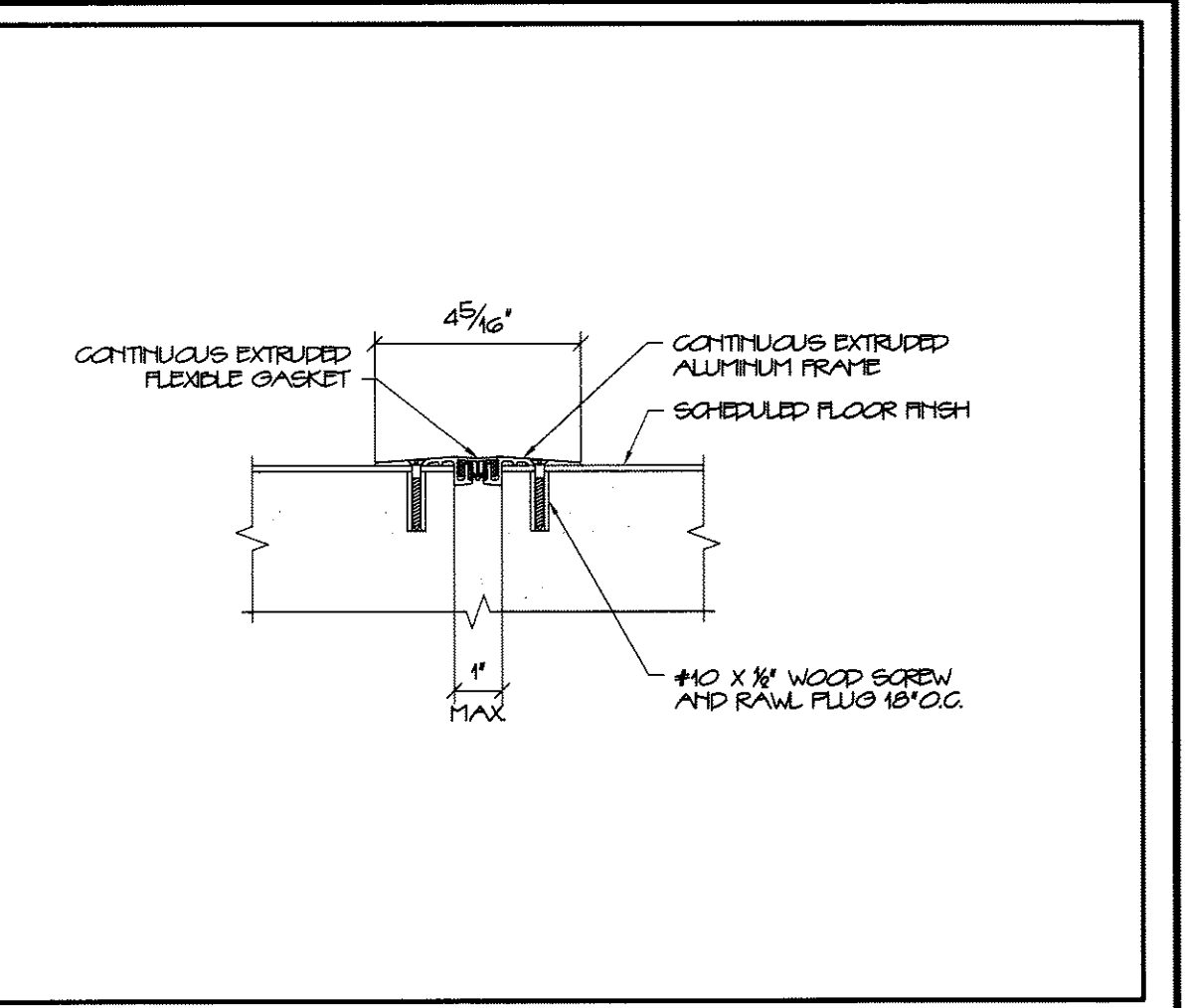
② EXPANSION JOINT COVER AT PANEL WALLS N.T.S.



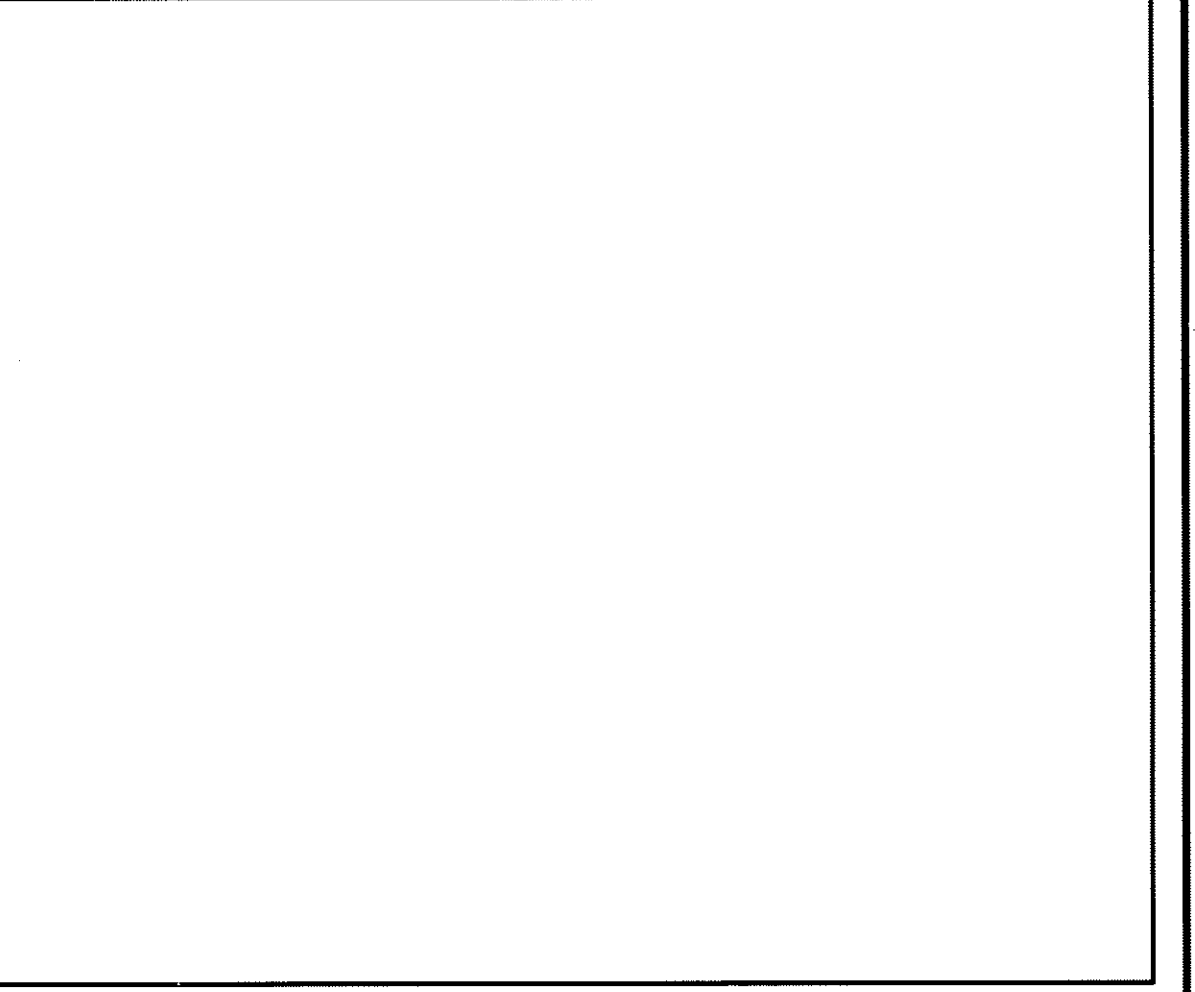
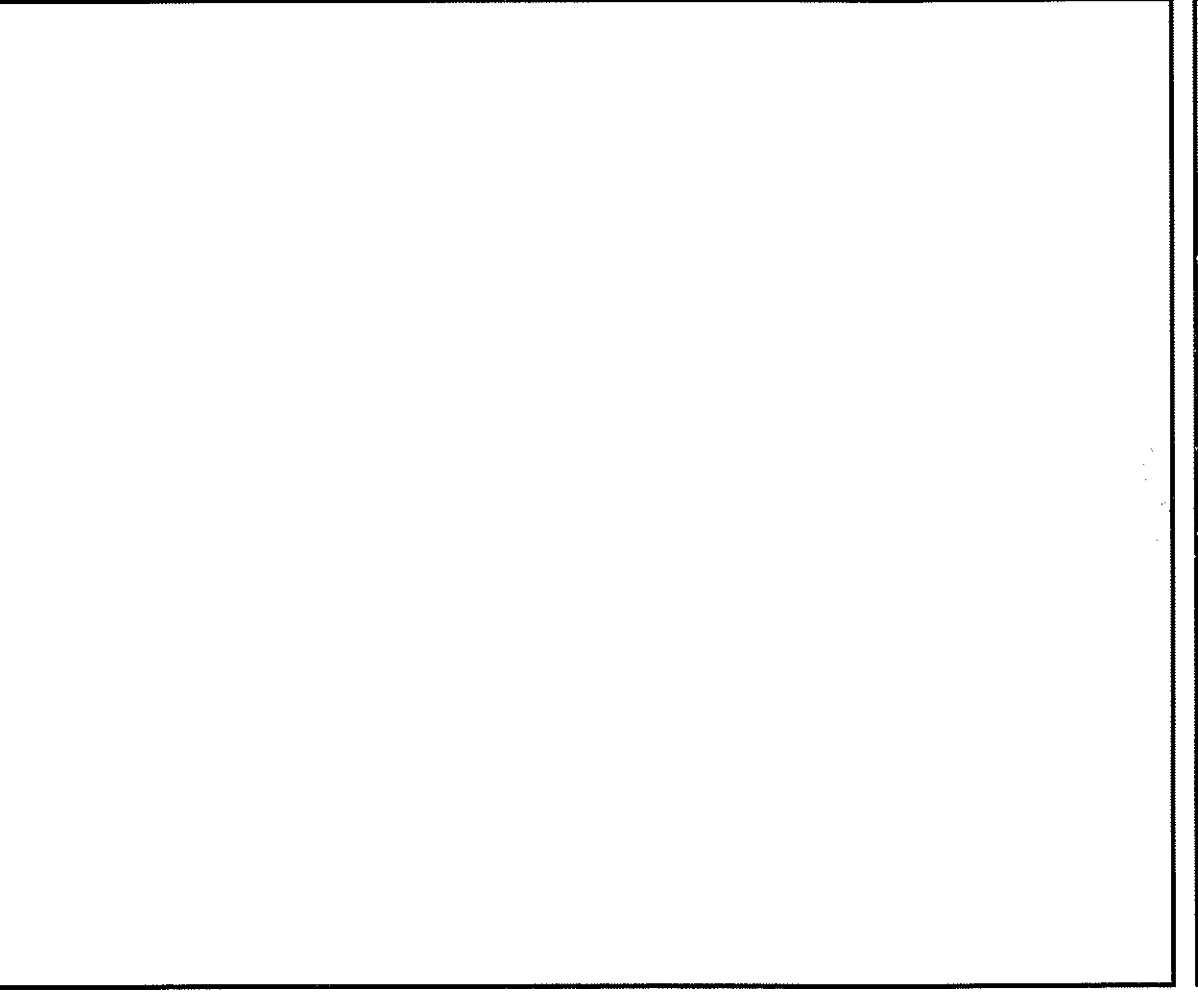
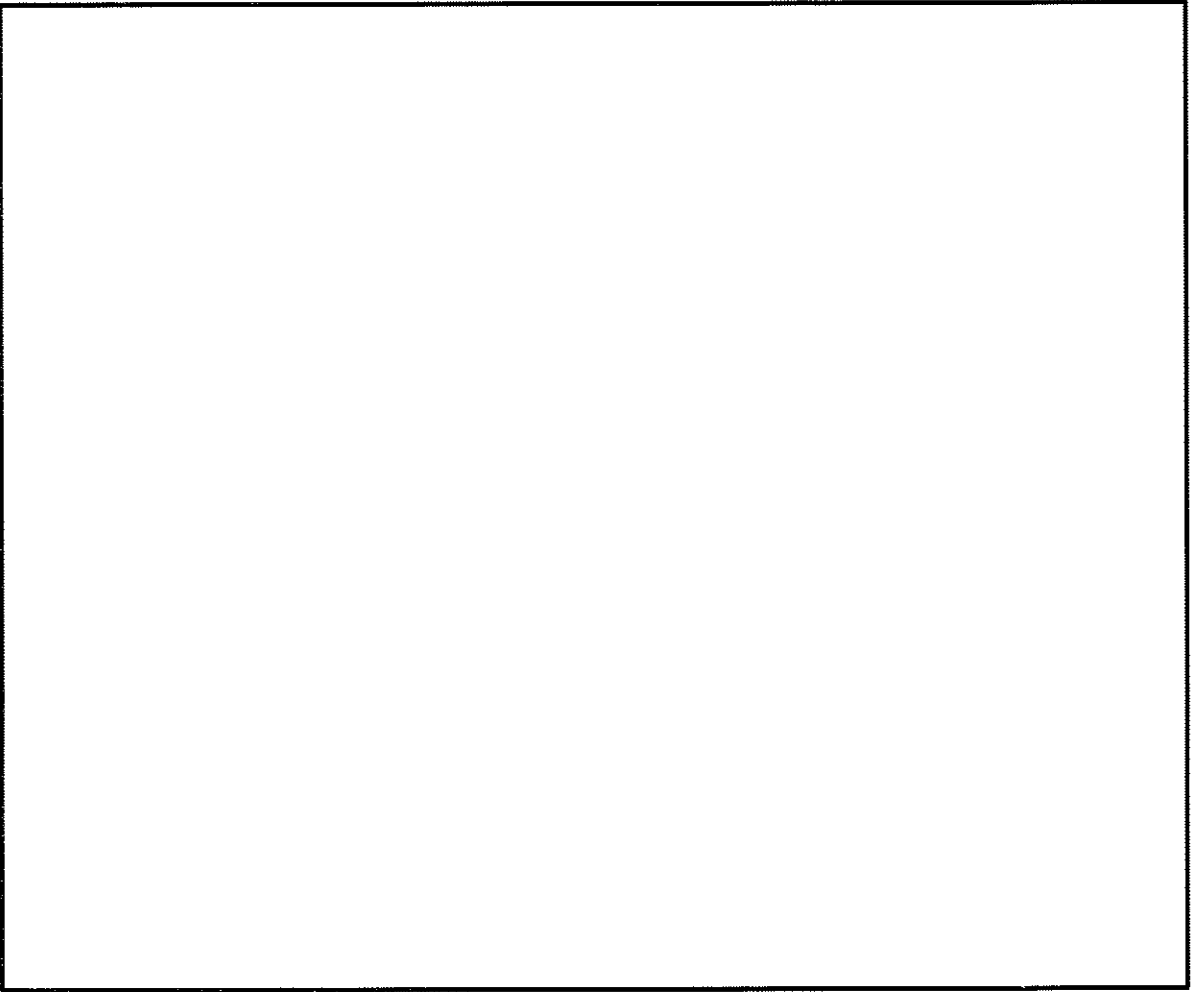
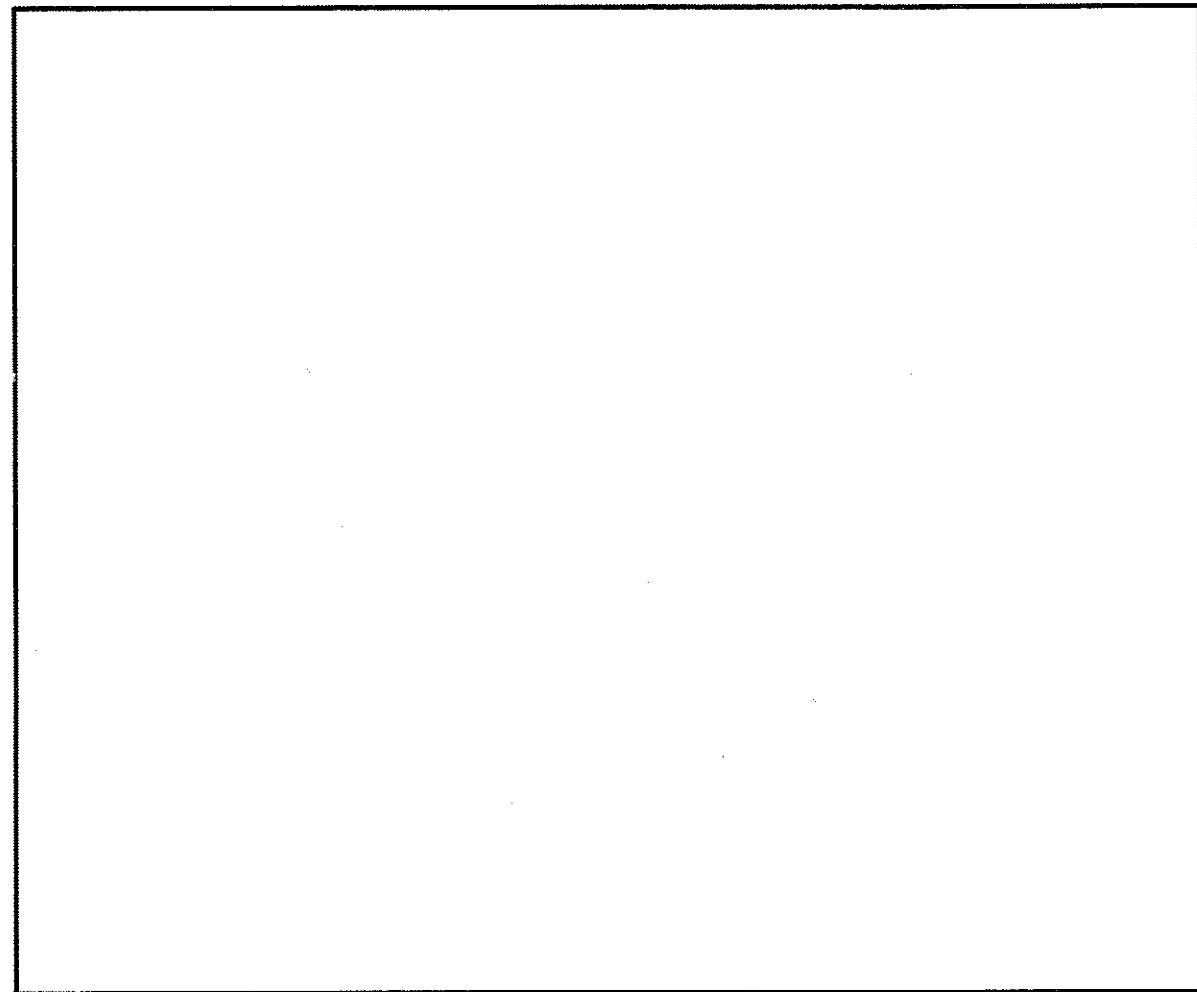
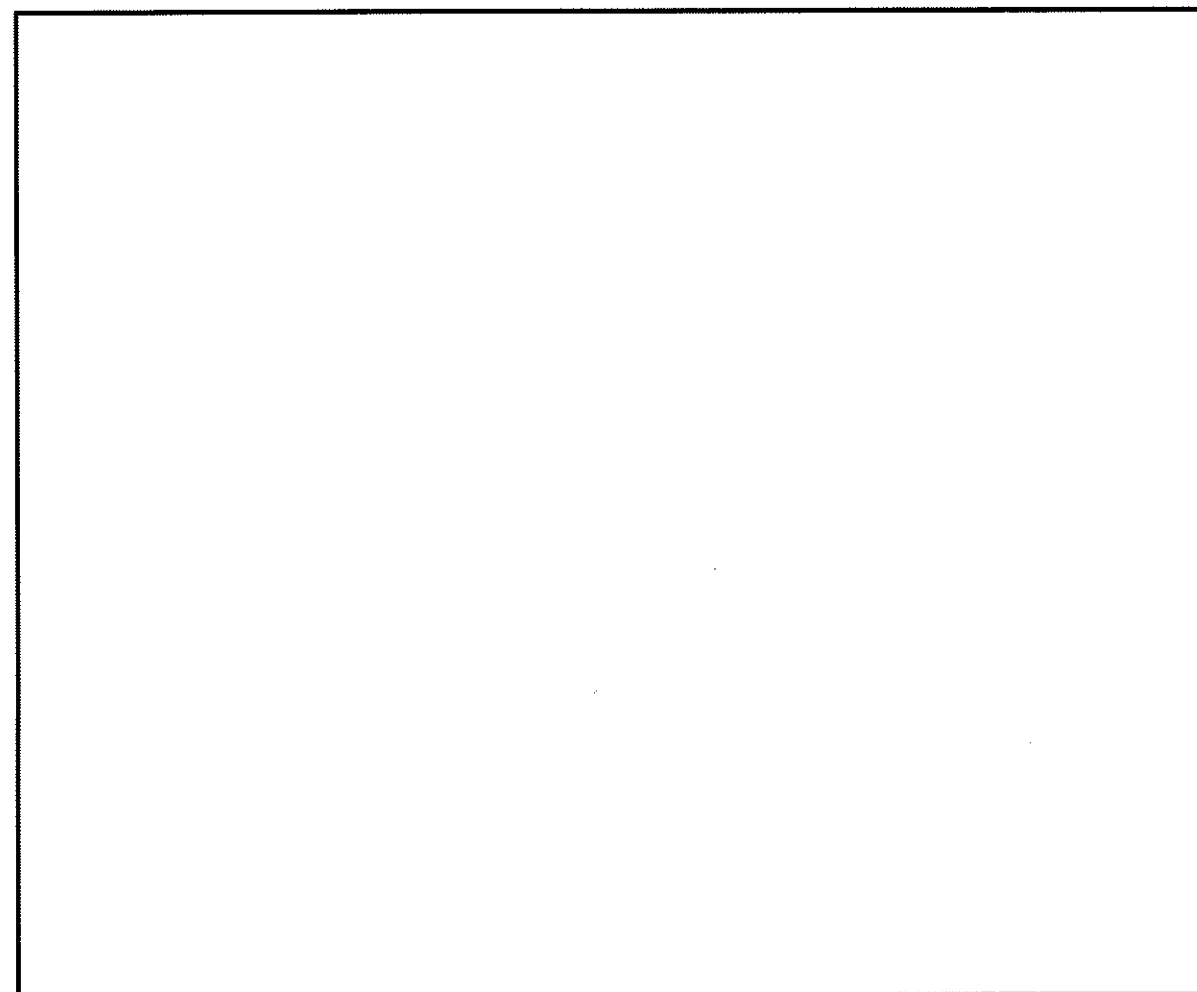
③ INTERIOR CEILING/WALL EXPANSION JOINT OVER N.T.S.



④ FLOOR EXPANSION JOINT COVER N.T.S.



⑤ FLOOR EXPANSION JOINT COVER N.T.S.



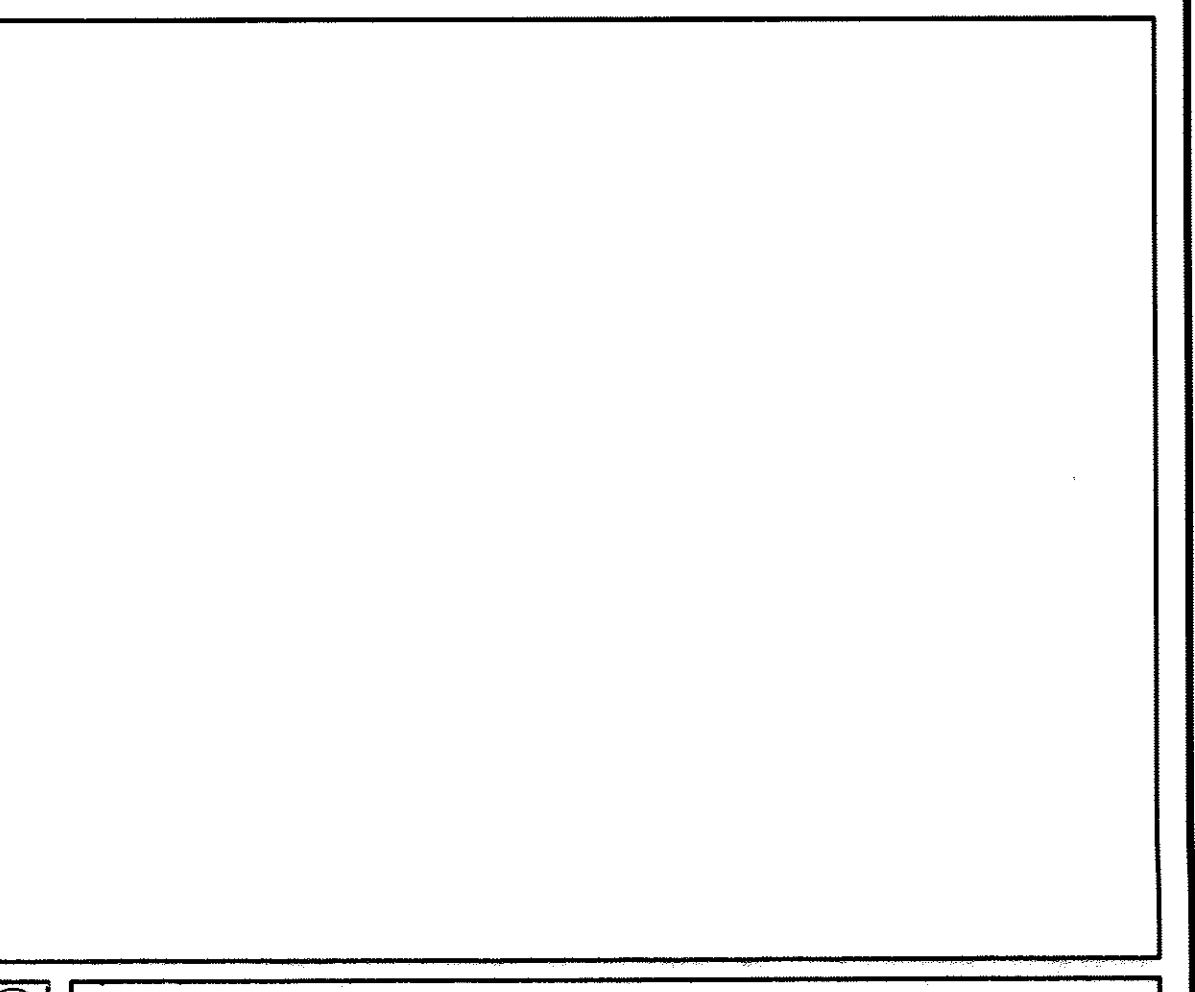
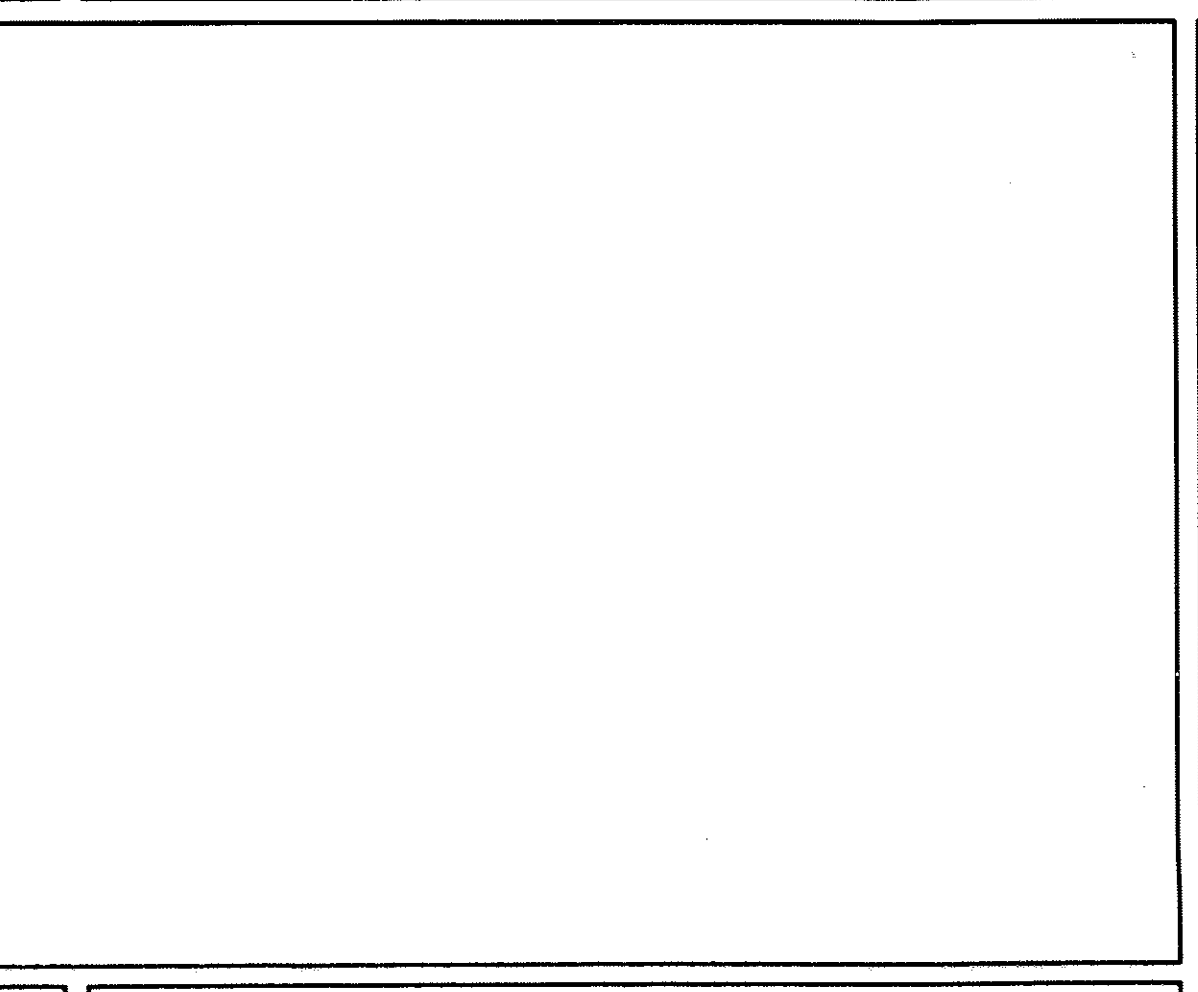
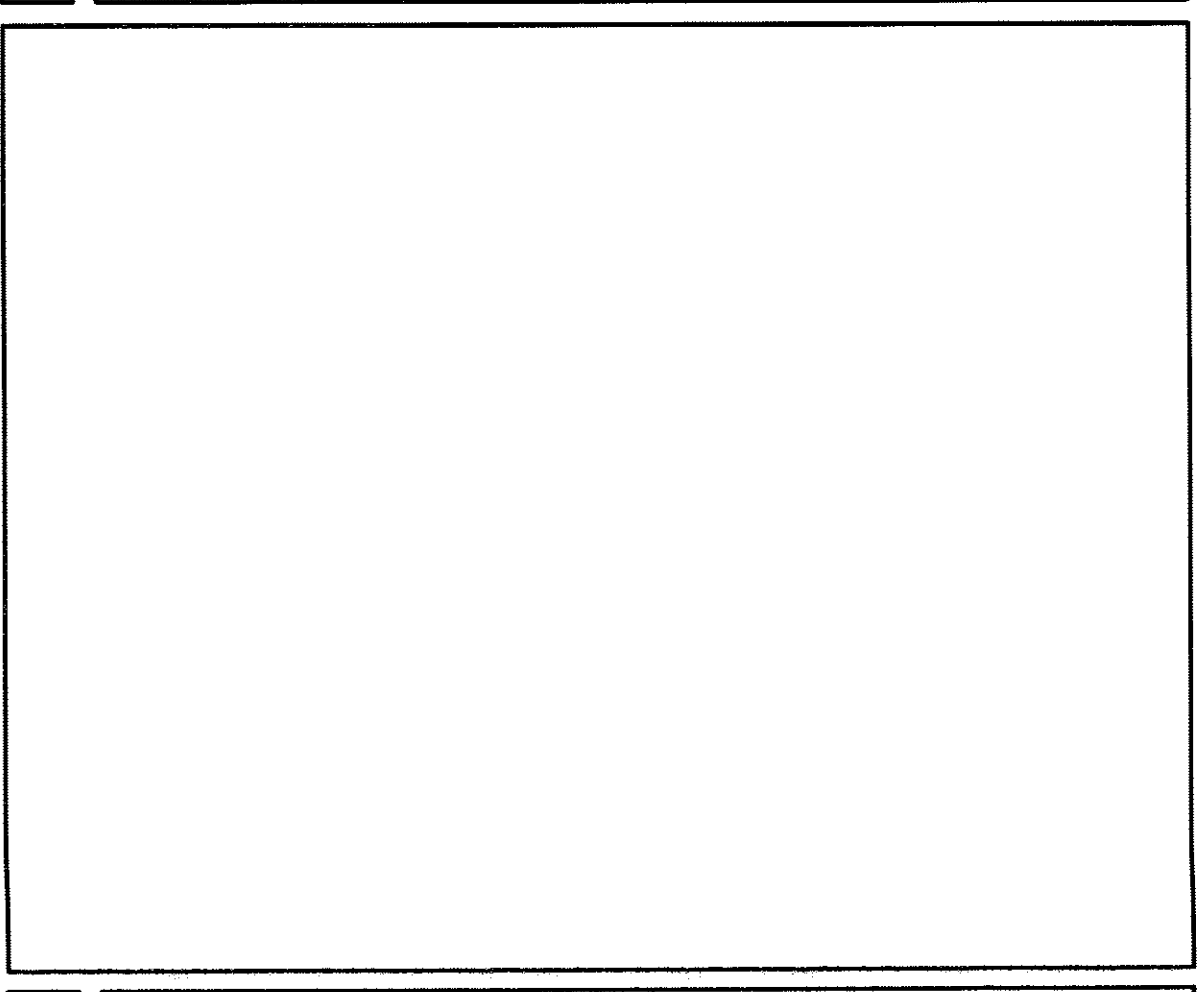
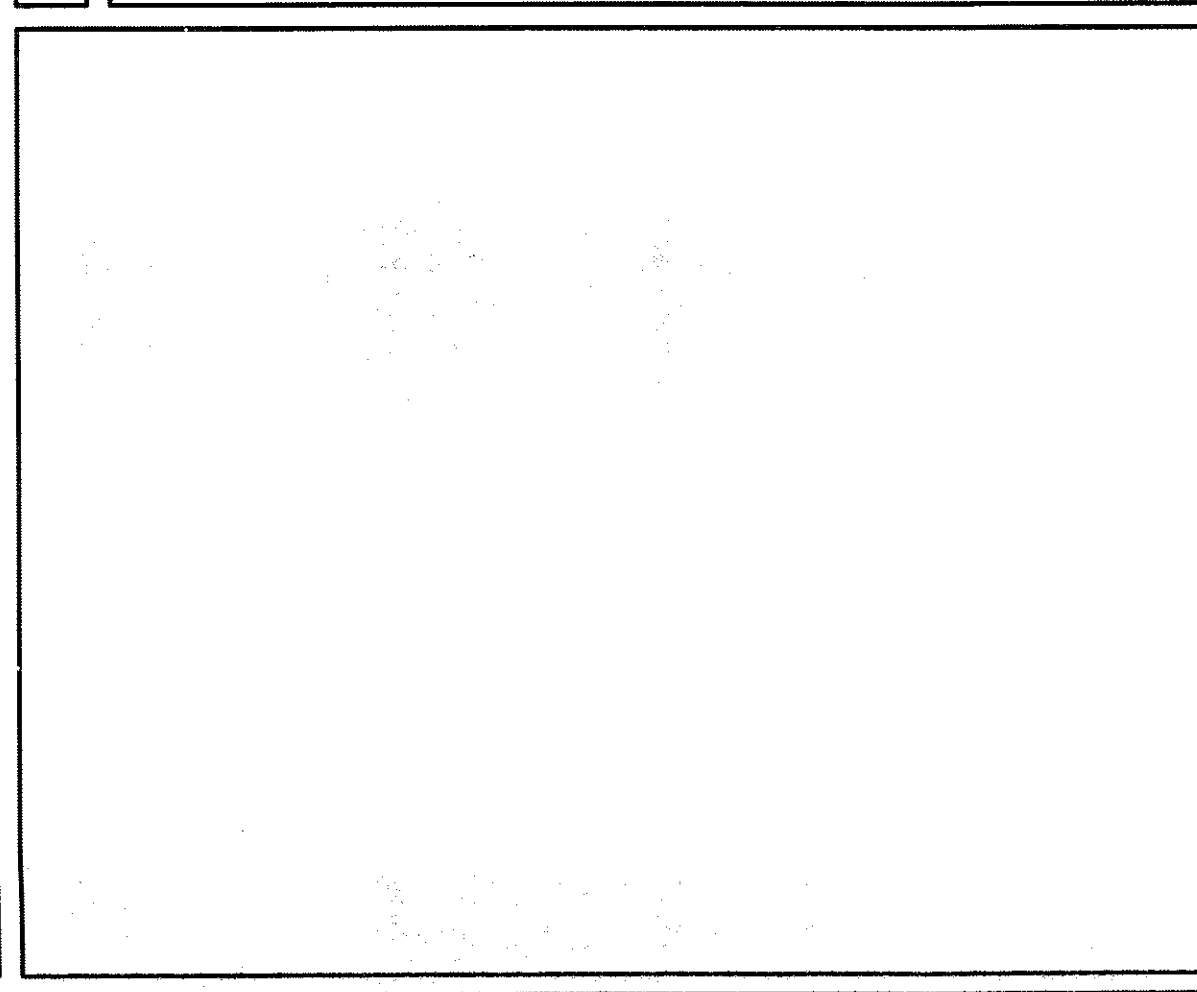
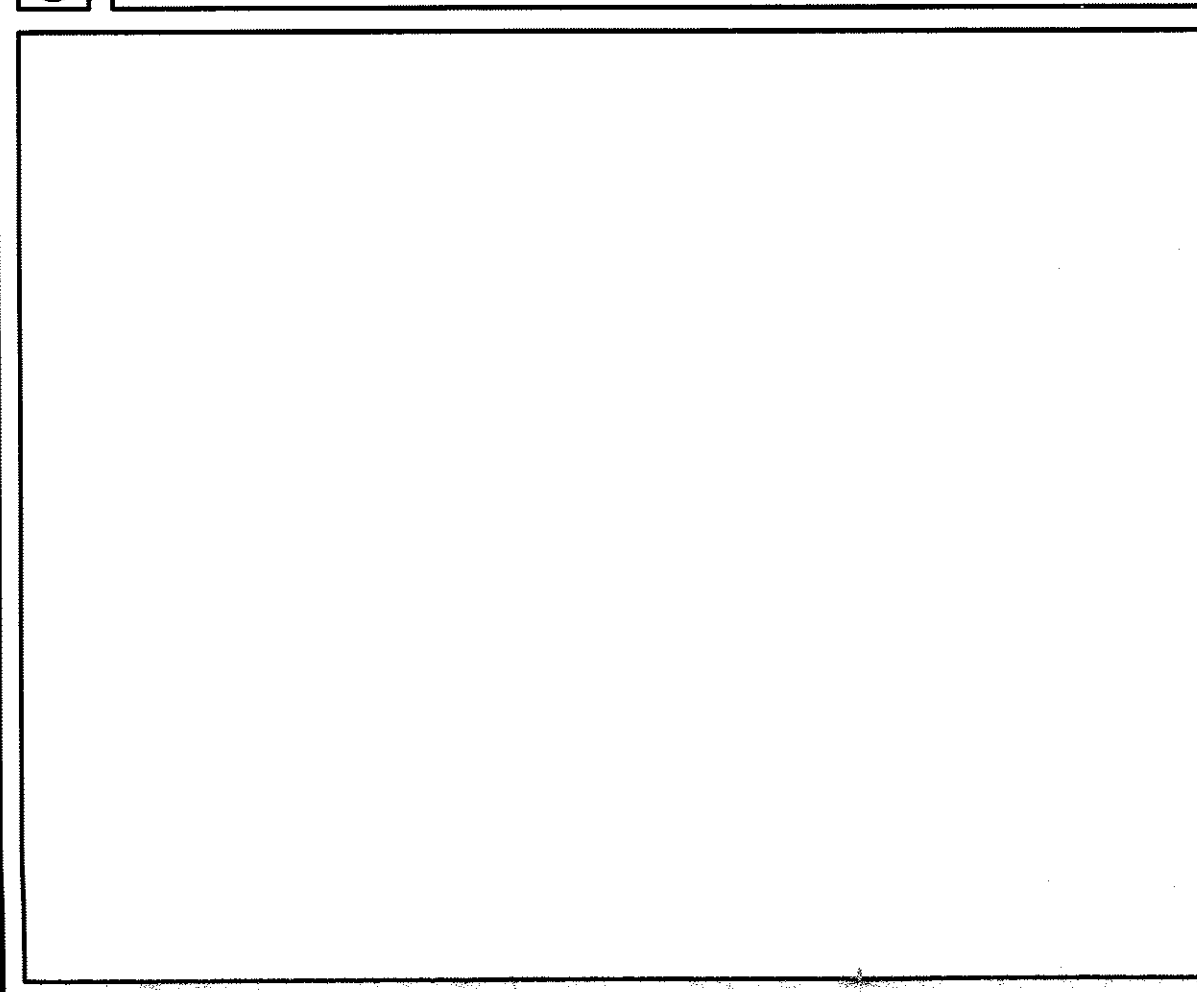
⑥

⑦

⑧

⑨

⑩



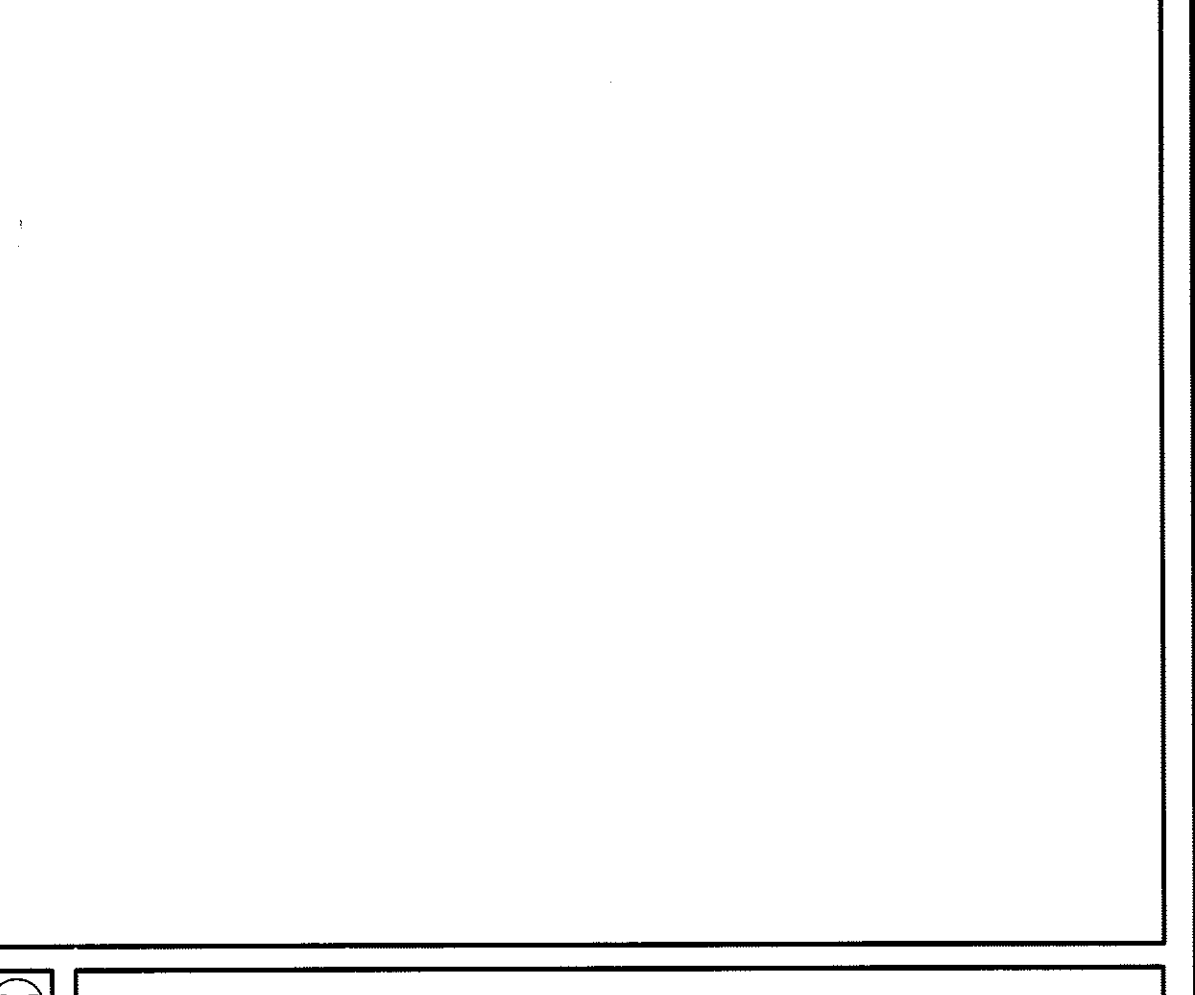
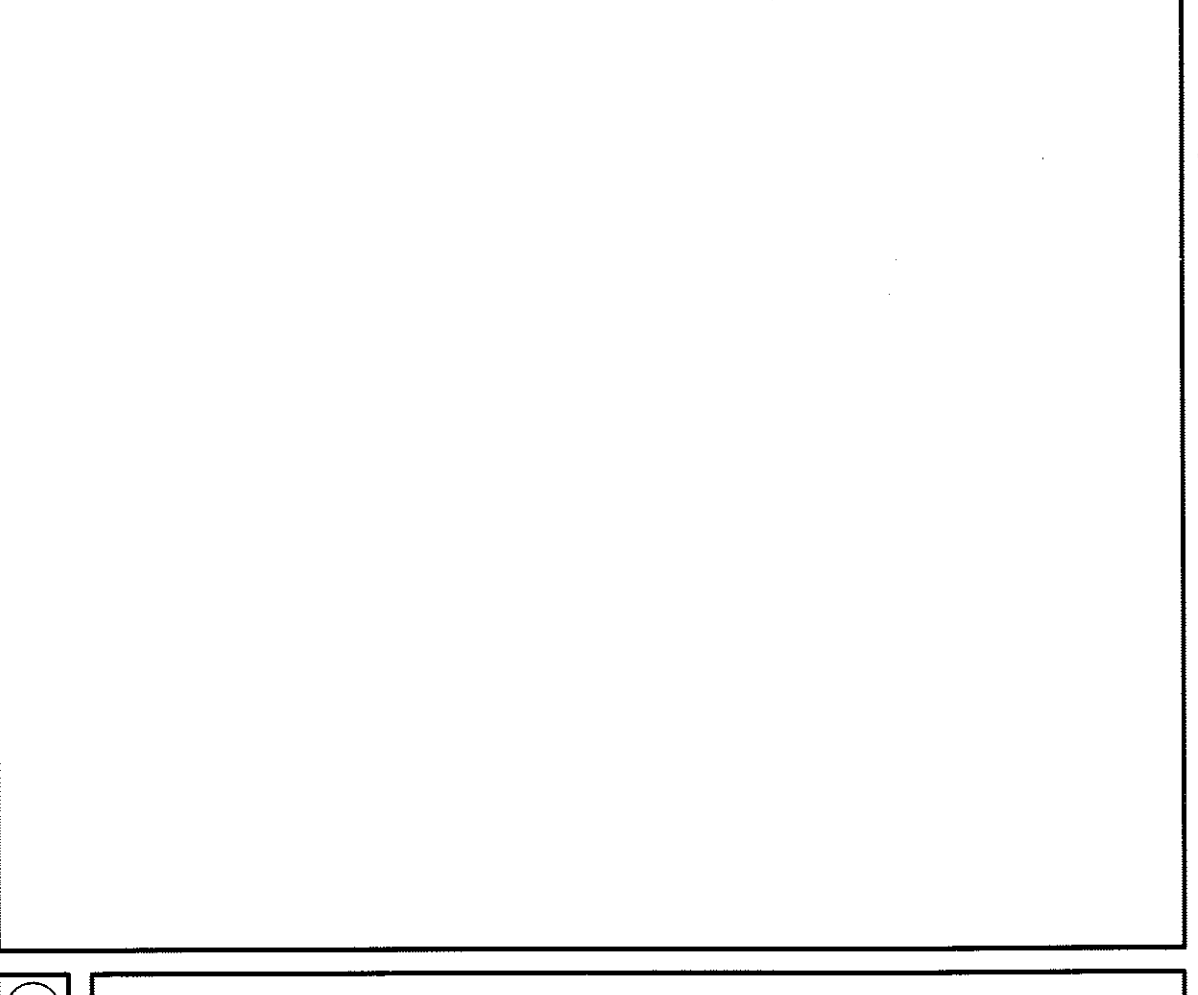
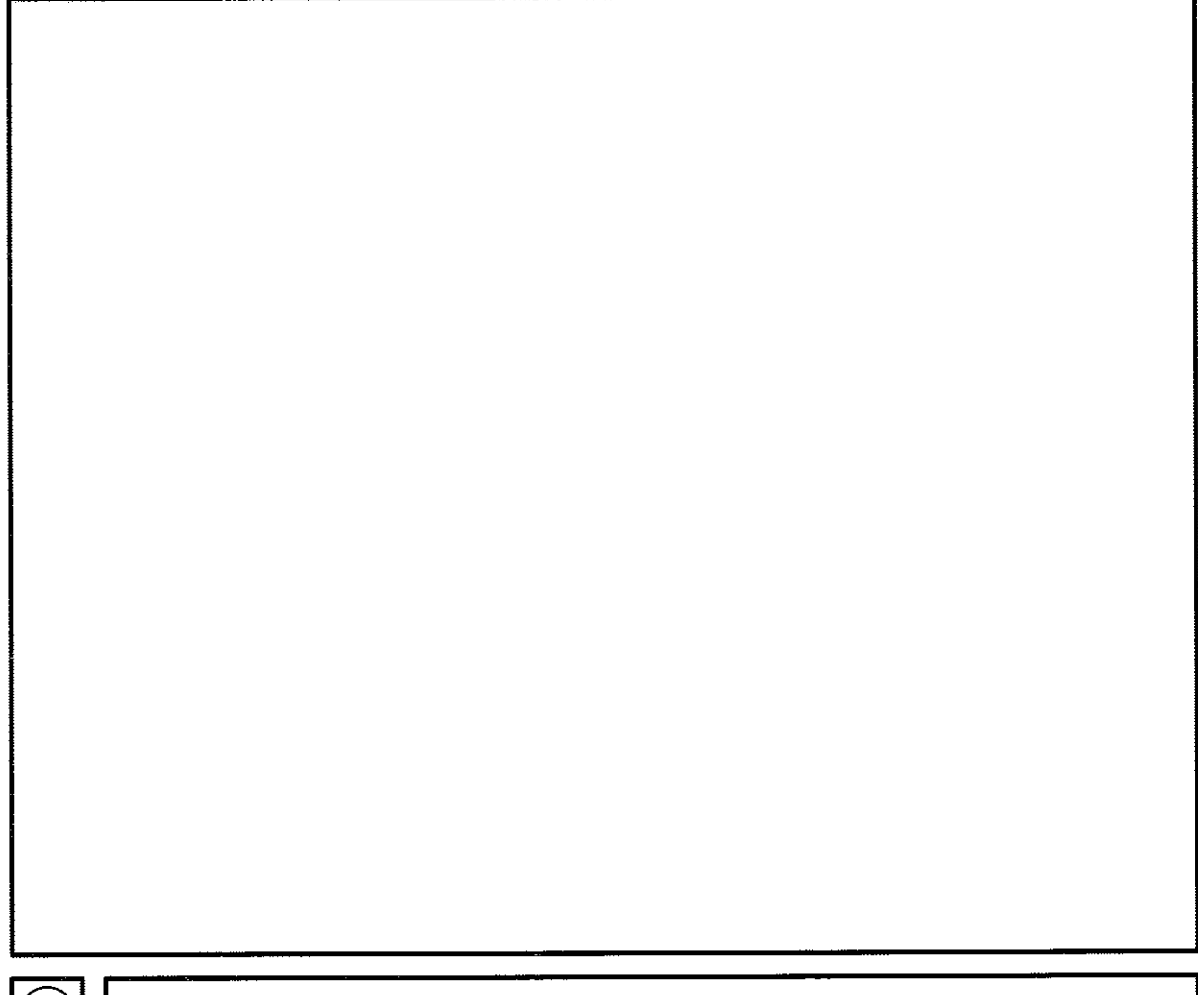
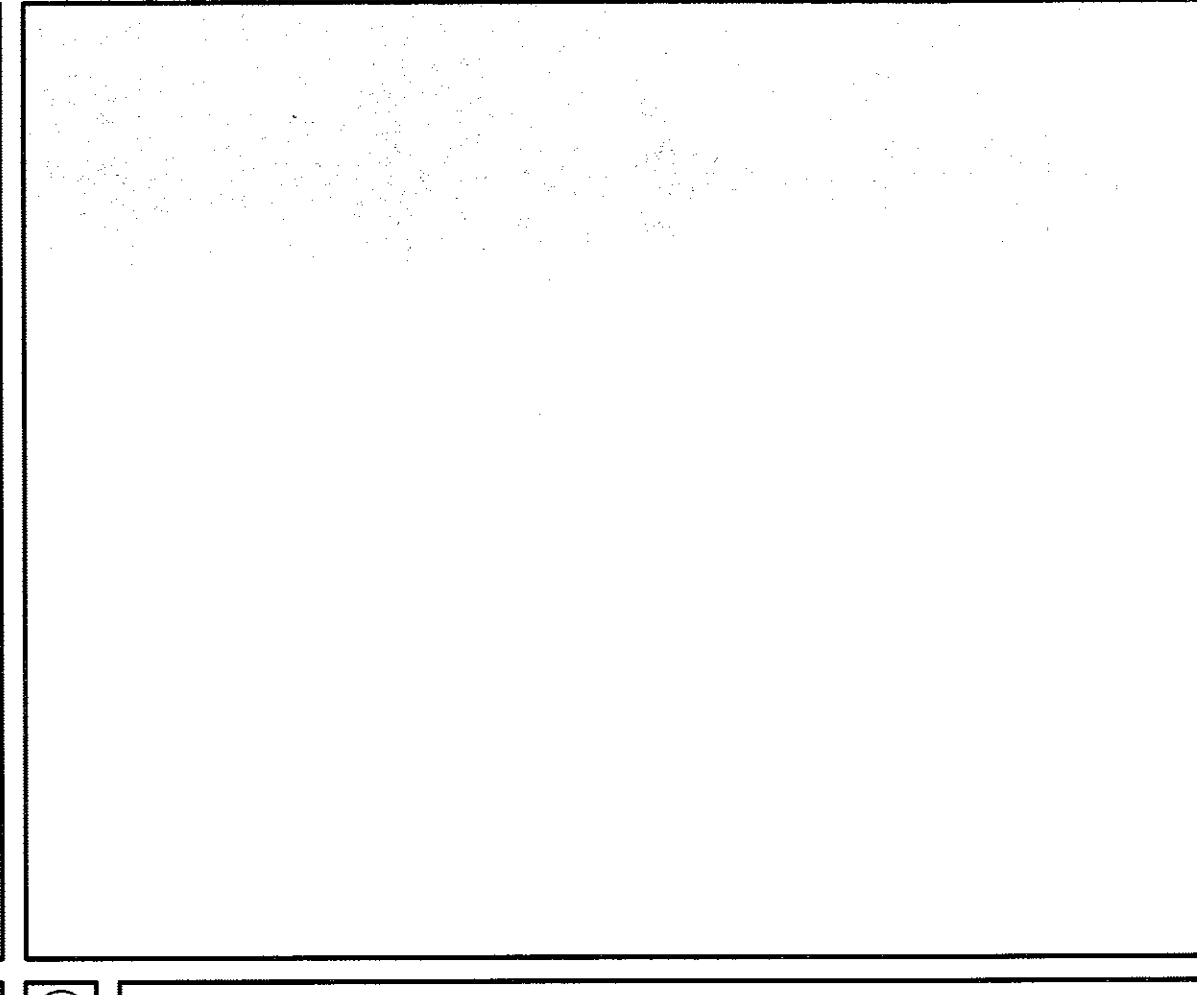
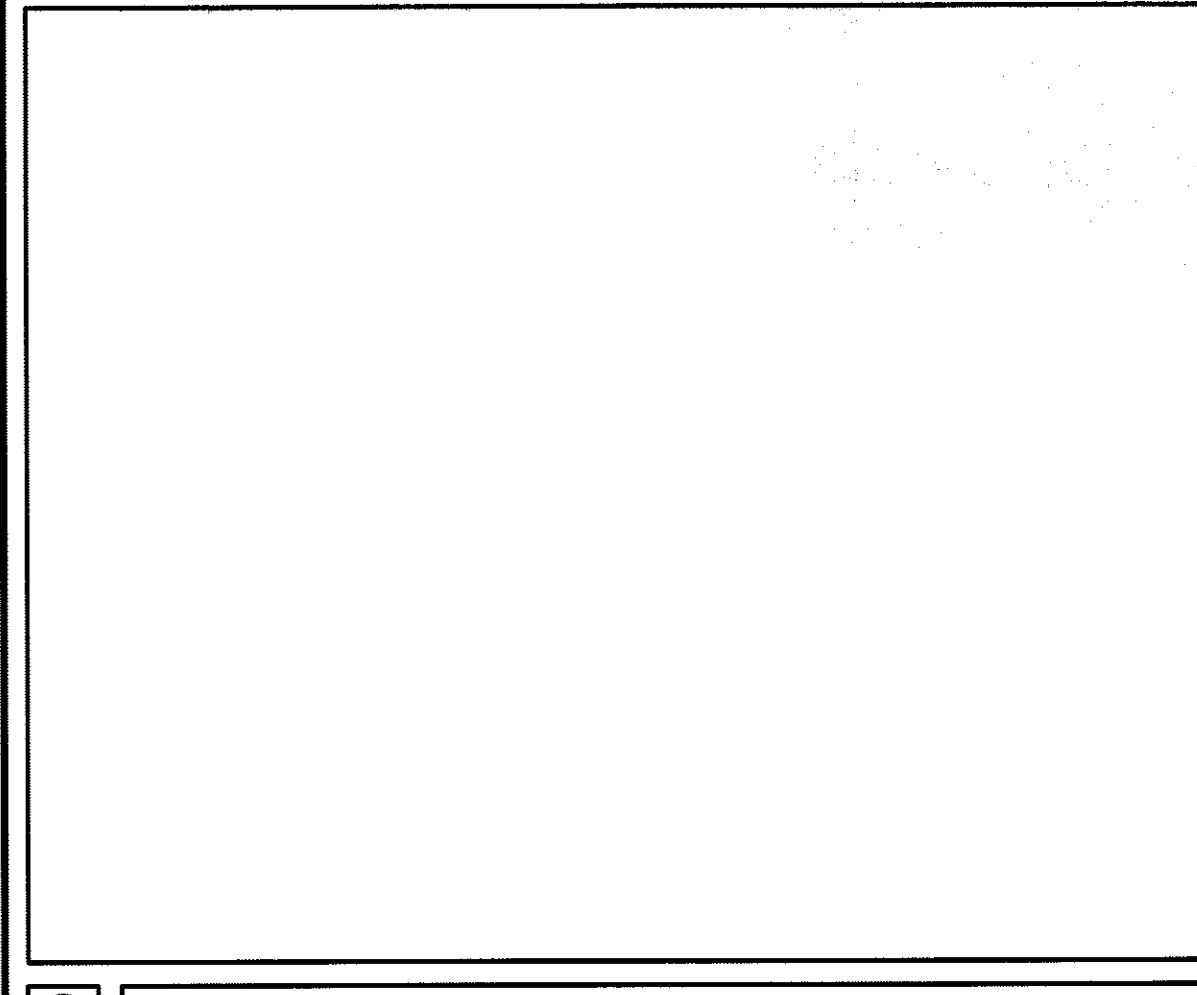
⑪

⑫

⑬

⑭

⑮



⑯

⑰

⑱

⑲

⑳

G R A N T H A Y S A S S O C I A T E S

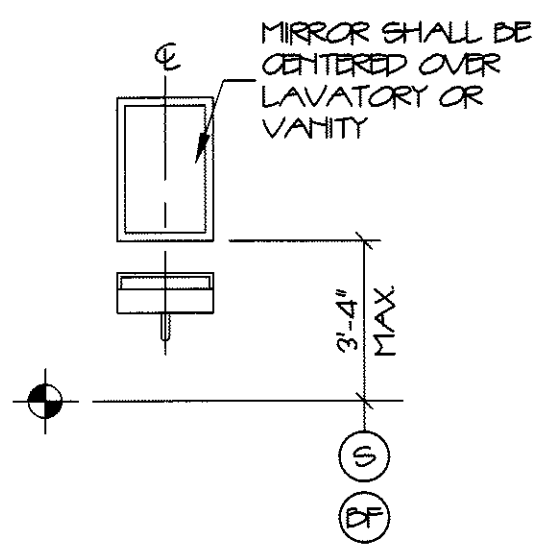
NEW ADDITION FOR
ALLAGASH BREWING CO.
 50 INDUSTRIAL WAY PORTLAND, MAINE

JOB TITLE

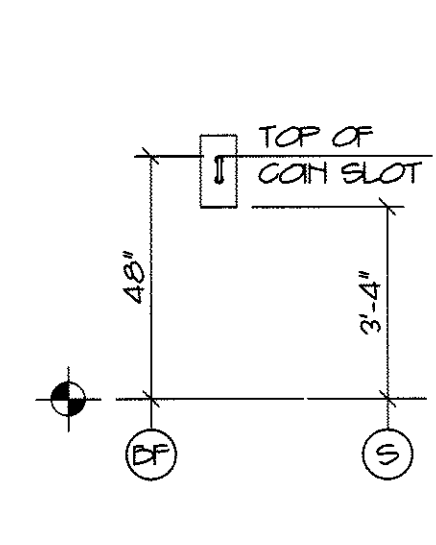
ARCHITECTURE
 INTERIOR DESIGN
 P.O. BOX 6179 FALMOUTH, MAINE 04105
 (207) 871-5900 (207) 871-9308

SCALE AS NOTED
 DATE 10 SEPT. 12
 DRAWN BY MFH/SAM
 JOB NO. 120701
 DRAWING NO. **A6.2**

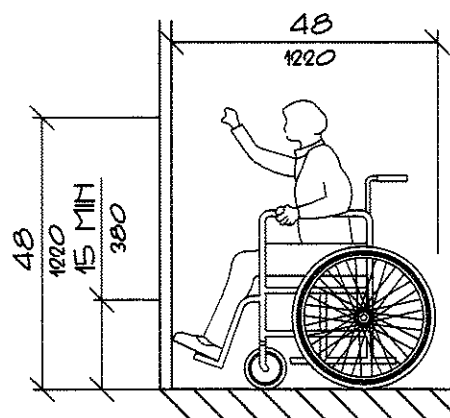
REVISIONS



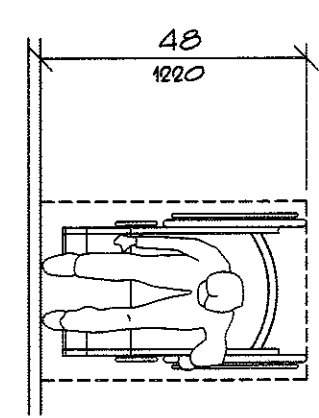
MIRROR OR MEDICINE CABINET



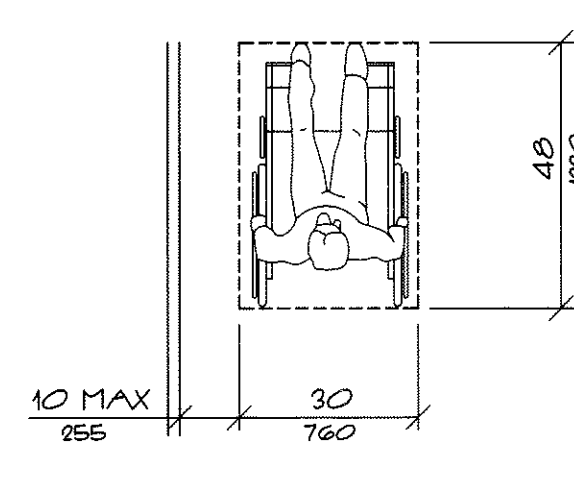
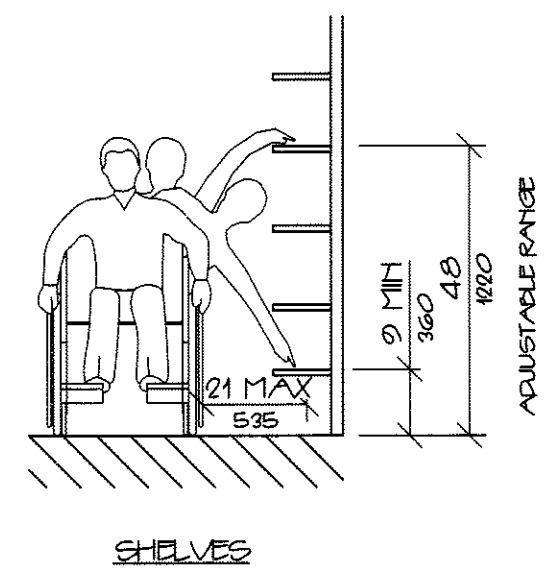
PUBLIC TELEPHONE



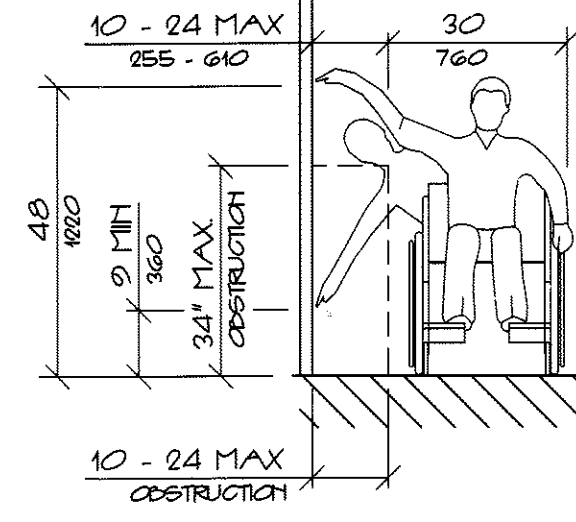
HIGH FORWARD REACH LIMIT



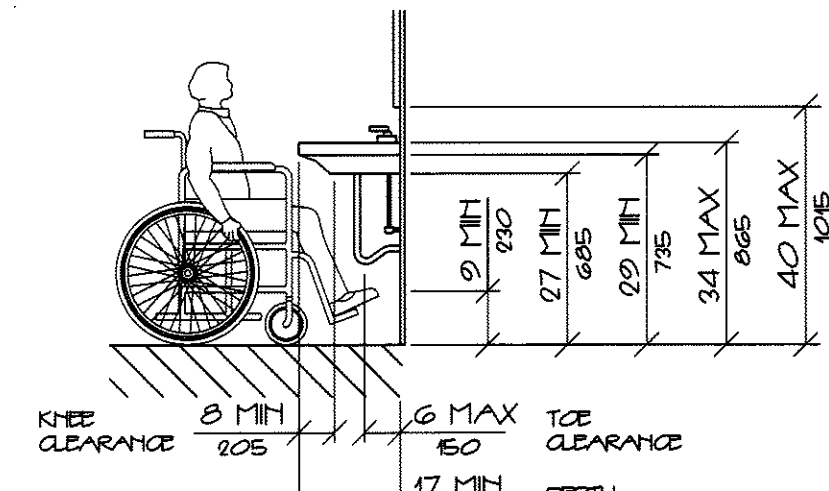
STORAGE SHELVES AND CLOSETS



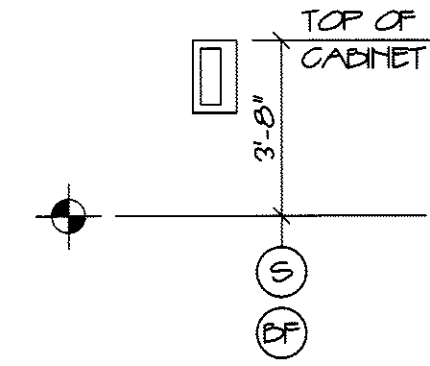
CLEAR FLOOR SPACE PARALLEL APPROACH



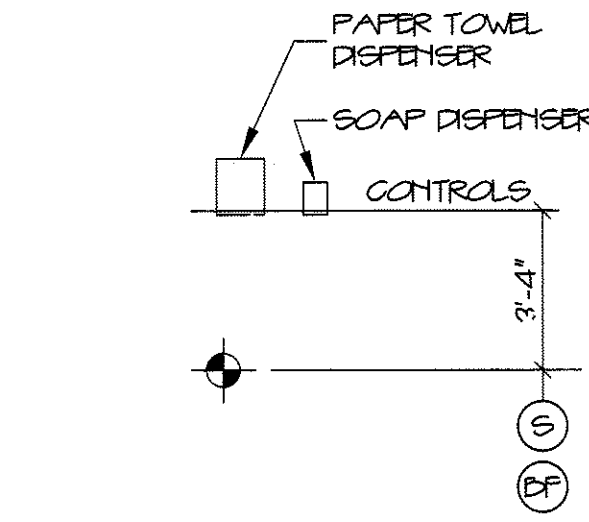
HIGH AND LOW SIDE REACH LIMITS



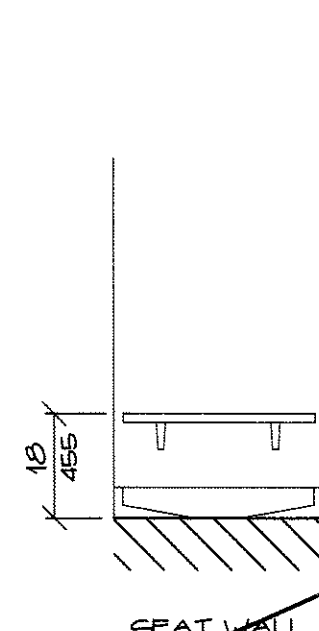
LAVATORY CLEARANCES



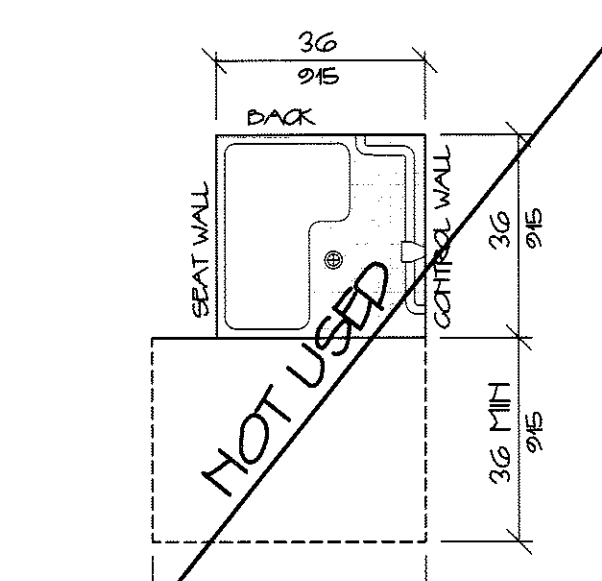
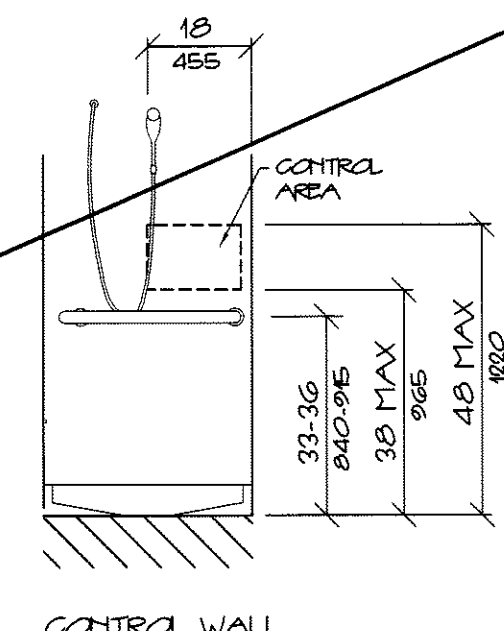
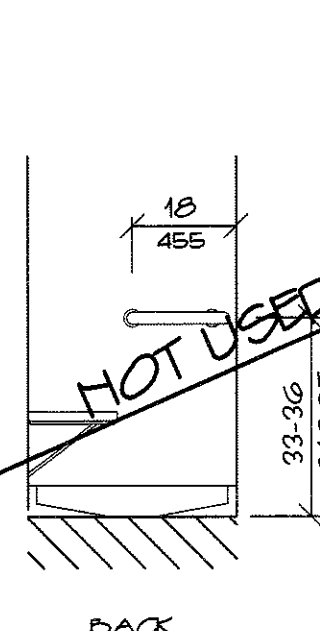
FIRE EXTINGUISHER CABINET (FEO)



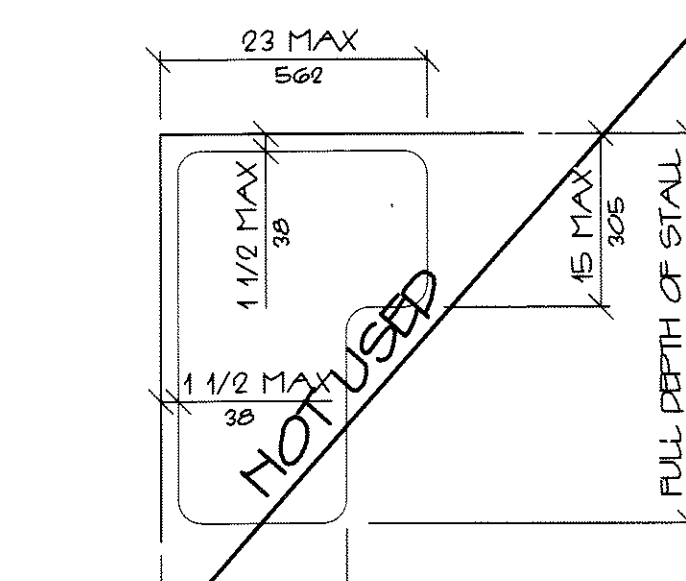
TOWEL & SOAP DISPENSERS



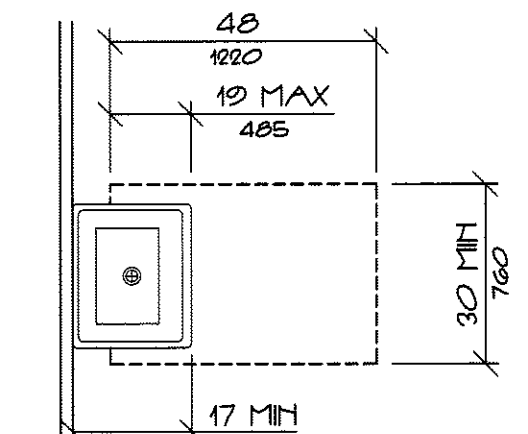
SHOWER SEAT ELEVATIONS



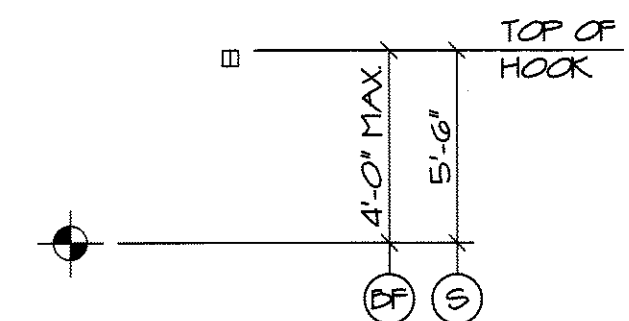
SHOWER STALL PLAN



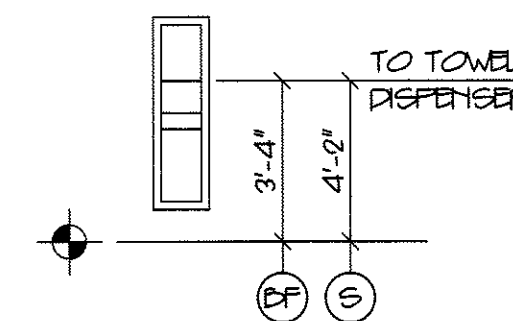
SHOWER SEAT DESIGN



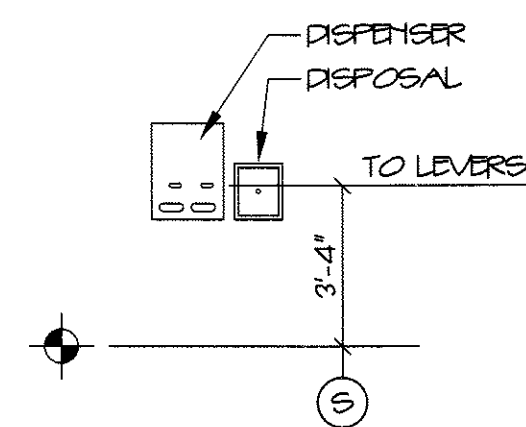
CLEAR FLOOR SPACE AT LAVATORIES



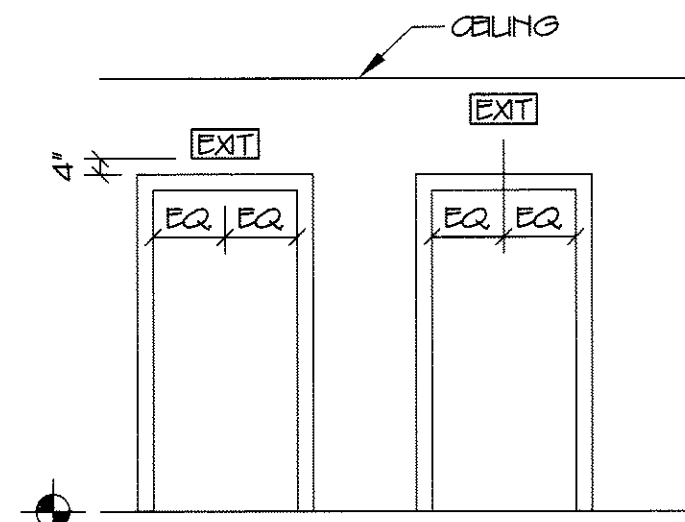
CLOTHES HOOK



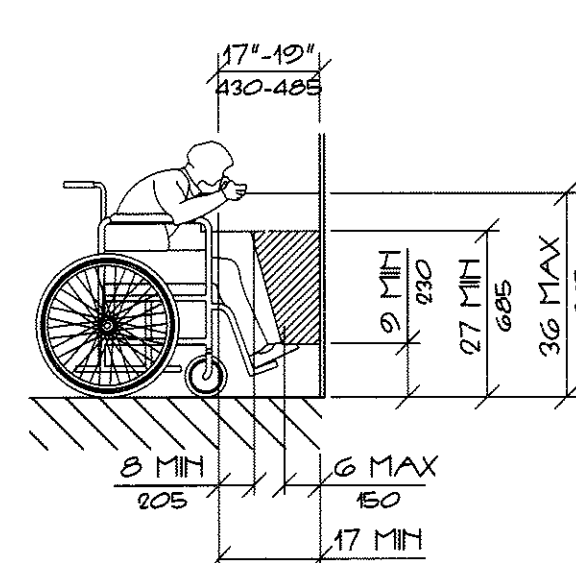
TOWEL DISPENSER DISPOSAL UNIT



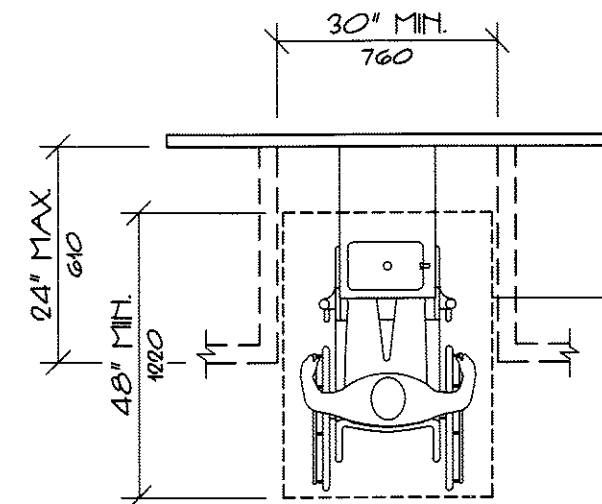
SANITARY NAPKIN DISPENSER & DISPOSAL



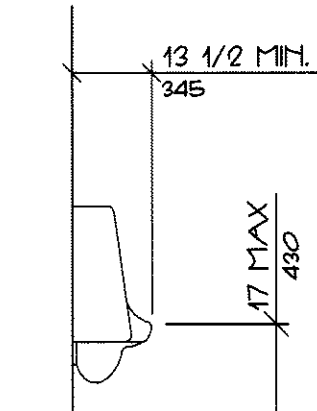
EXIT SIGNS TYPICAL UNLESS OTHERWISE NOTED



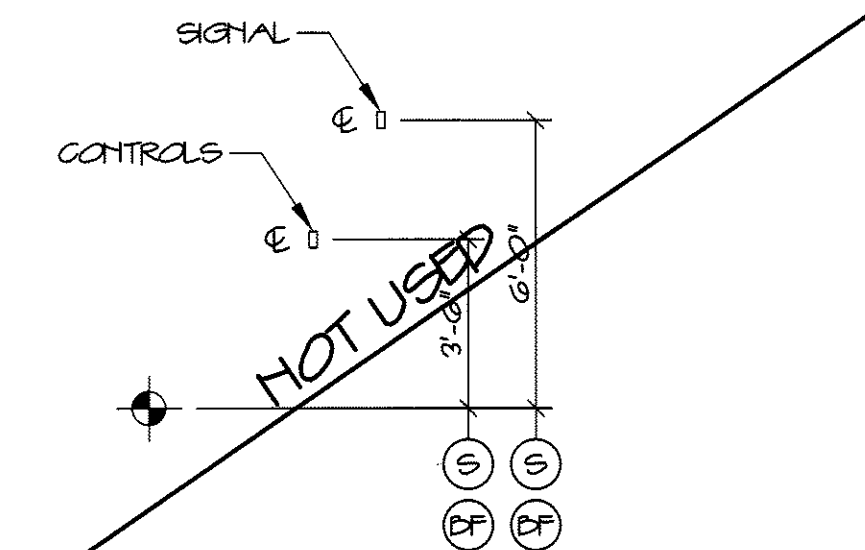
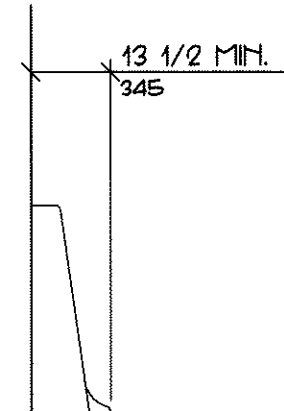
EQUIPMENT PERMITTED IN SHADED AREA DRINKING FOUNTAIN SPOUT HEIGHT AND KNEE CLEARANCE



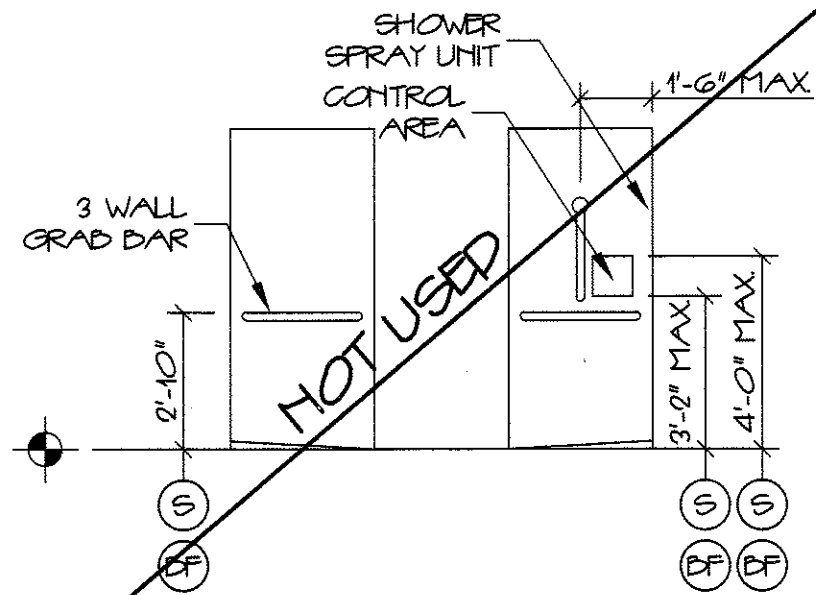
DRINKING FOUNTAIN



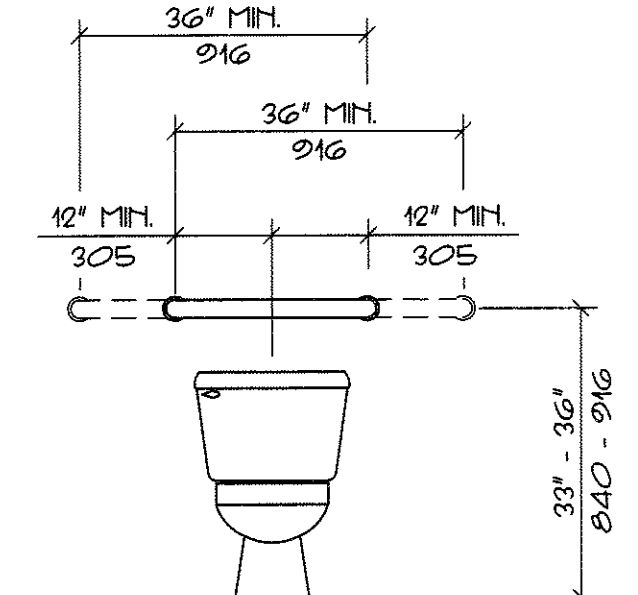
HEIGHT AND DEPTH OF URINALS



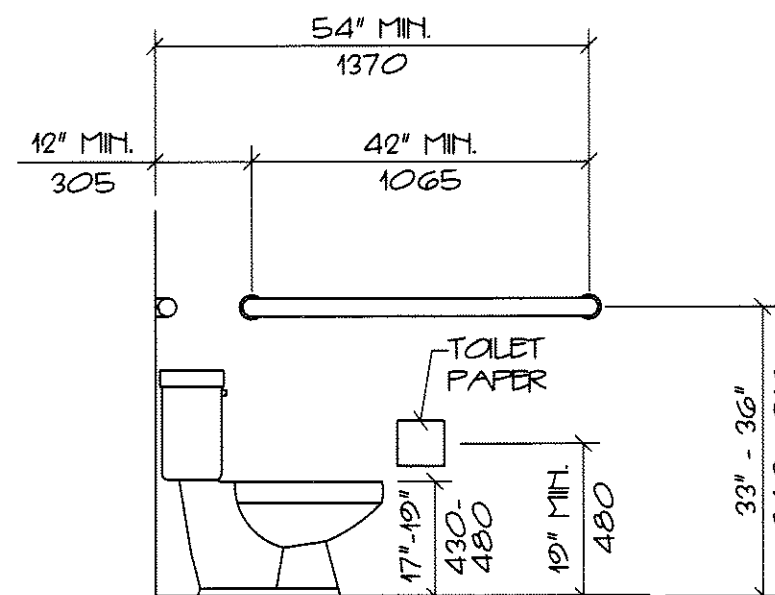
ELEVATOR CONTROLS & SIGNALS



BARrier FREE SHOWER



GRAD BARS AT WATER CLOSETS



TYPICAL ACCESSORIES

ACCESSIBILITY ACCESSORY MOUNTING HEIGHTS

GRAD BARS	33"-36"
TOILET PAPER HOLDER	19" MIN
TOWEL DASH/PAPER TOWEL DISPENSER	48" MAX
BUILT IN PAPER TOWEL DISPENSER	48" MAX
SOAP DISH/Dispenser AT WALL	48" MAX
SANITARY NAPKIN DISPENSER	48" MAX
SANITARY NAPKIN DISPOSAL	48" MAX
MIRROR (BOTTOM)	40" MAX
SHELVES/STORAGE	48" MAX
ELECTRICAL SWITCHES/OUTLETS	48" MAX
COAT HOOKS/RODS	48" MAX
SIGNAGE (TO BRaille COMPONENT)	60" MAX

ACCESSIBILITY GENERAL NOTES

- DOORWAYS SHALL HAVE A MINIMUM CLEAR WIDTH OF 32" WITH THE DOOR OPEN 90 DEGREES MEASURED BETWEEN THE FACE OF THE DOOR AND THE OPPOSITE STOP.
- ALL DOORS SHALL HAVE LEVER HANDLE HARDWARE, EXCEPT AT SECURED STORAGE ROOMS, MECHANICAL ROOMS, AND ELEVATOR MACHINE ROOMS.
- ALL CLOSERS SHALL BE 5LD FULL MAXIMUM AT DOORS EQUIPPED WITH LEVER HANDLE HARDWARE.
- ALL DOORS WITH CLOSERS SHALL HAVE 18" CLEAR DISTANCE FROM THE LATCHSIDE OF THE OPENING TO ANY ADJACENT WALL OR OBSTRUCTION ON THE FULL SIDE OF THE OPENING.
- ALL DOORS WITH CLOSERS SHALL HAVE 12" CLEAR DISTANCE FROM THE LATCHSIDE OF THE OPENING TO ANY ADJACENT WALL OR OBSTRUCTION ON THE PUSH SIDE OF THE OPENING.
- ALL SIGNAGE SHALL BE MOUNTED 60" AFF TO BRaille COMPONENT AT LATCH-SIDE WALL OF DOORS AND OPENINGS.

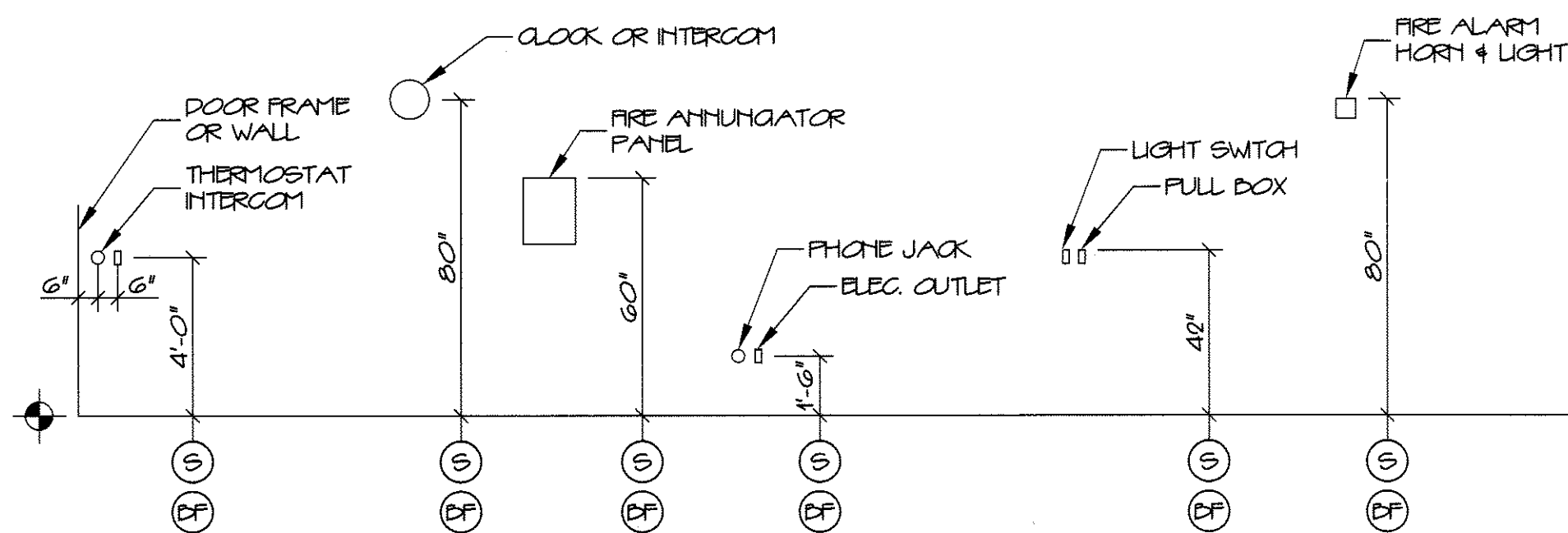
LEGEND

- (S) STANDARD MOUNTING HEIGHT
- (PK) BARRIER FREE ADULT MOUNTING HEIGHT
- (F) FINISH FLOOR LINE

NOTE

MOUNT ALL FIXTURES AT STANDARD MOUNTING HEIGHT UNLESS INDICATED ON PLAN BY A (S) SYMBOL. A (PK) SYMBOL AT ANY ROOM SHALL INCLUDE ONE OF ANY FIXTURE AND ACCESSORY WITHIN THE ROOM.

ELECTRICAL & FIRE PROTECTION DEVICES TYPICAL UNLESS NOTED OTHERWISE



G R A N T A S S O C I A T E S
 ARCHITECTURE
 INTERIOR DESIGN
 P.O. BOX 6179 FALMOUTH, MAINE 04105
 (207) 871-5900
 (207) 871-9306
 FALMOUTH, MAINE
 MICHAEL F. HAYS
 No. 1724
 LICENSED ARCHITECT
 STATE OF MAINE
 REVISIONS
 NEW ADDITION FOR
 ALLAGASH BREWING CO.
 50 INDUSTRIAL WAY PORTLAND, MAINE
 JOB TITLE
 ACCESSIBILITY
 DETAILS AND NOTES
 SCALE AS NOTED
 DATE 10 SEPT. 12
 DRAWN BY SAM/MPH
 JOB NO. 120701
 DRAWING NO.
A7.1