

NOTES

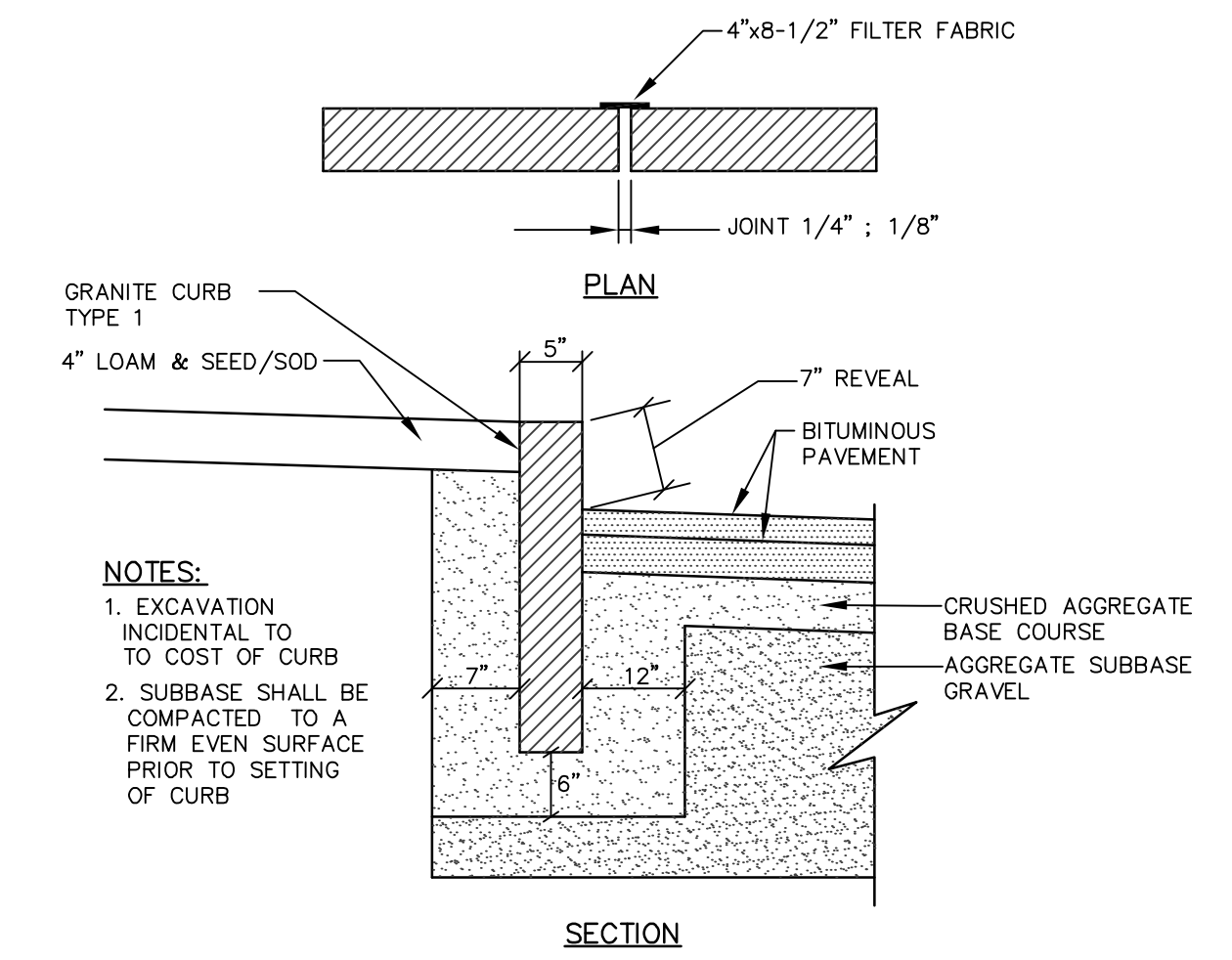
- RIPRAP TO BE PROCESSED ANGULAR ROCK
- RIPRAP GRADATION SHALL BE A WELL GRADED MIX FROM ABOUT 1.5 TIMES D SIZE TO 25 PERCENT OF THE D SIZE
- THE RIPRAP STONES SHALL BE CAREFULLY PLACED FROM THE TOE OF THE SLOPE UPWARD
- STONES SHALL BE LOWERED TO THE SLOPE AND NOT BE ALLOWED TO DROP MORE THAN 12" ONTO THE GEOTEXTILE
- THE FINISHED SURFACE SHALL BE A RELATIVELY SMOOTH, UNIFORMLY SLOPED SURFACE

TYPICAL RIPRAP APRON SCHEDULE

CULVERT DIAMETER - D (IN.)	APRON LENGTH - L (FT.)	WIDTH - W1 (FT)	WIDTH - W2 (FT)	RIPRAP D50 (IN.)	RIPRAP THICKNESS (IN.)
12	8	3	9	6	14
15	10	4	12	6	14
18	13	5	15	7	16
24	18	6	20	8	18
36	29	9	32	11	25
42	33	11	37	12	27
48	39	12	43	16	36

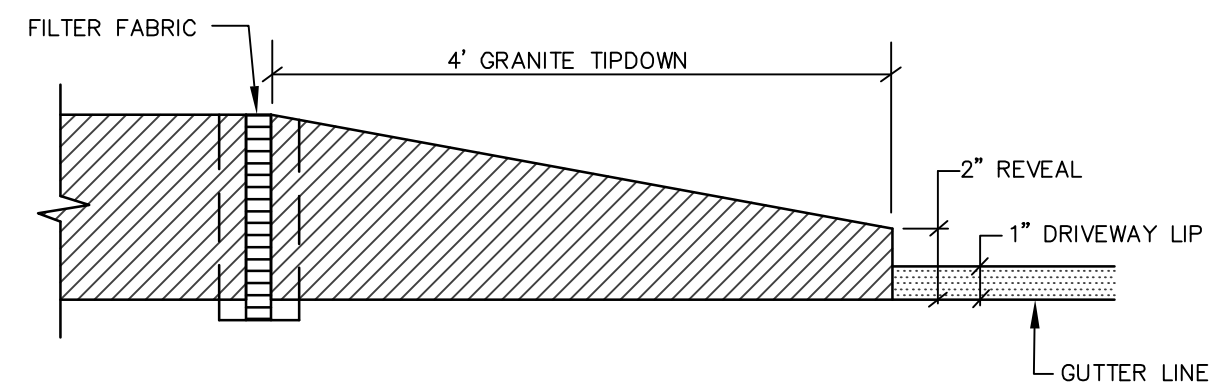
RIPRAP APRON

NOT TO SCALE



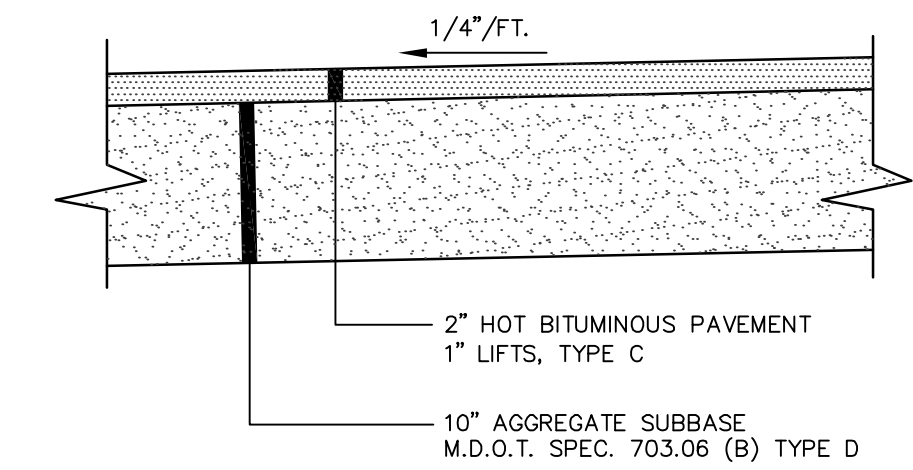
VERTICAL GRANITE CURB

NOT TO SCALE



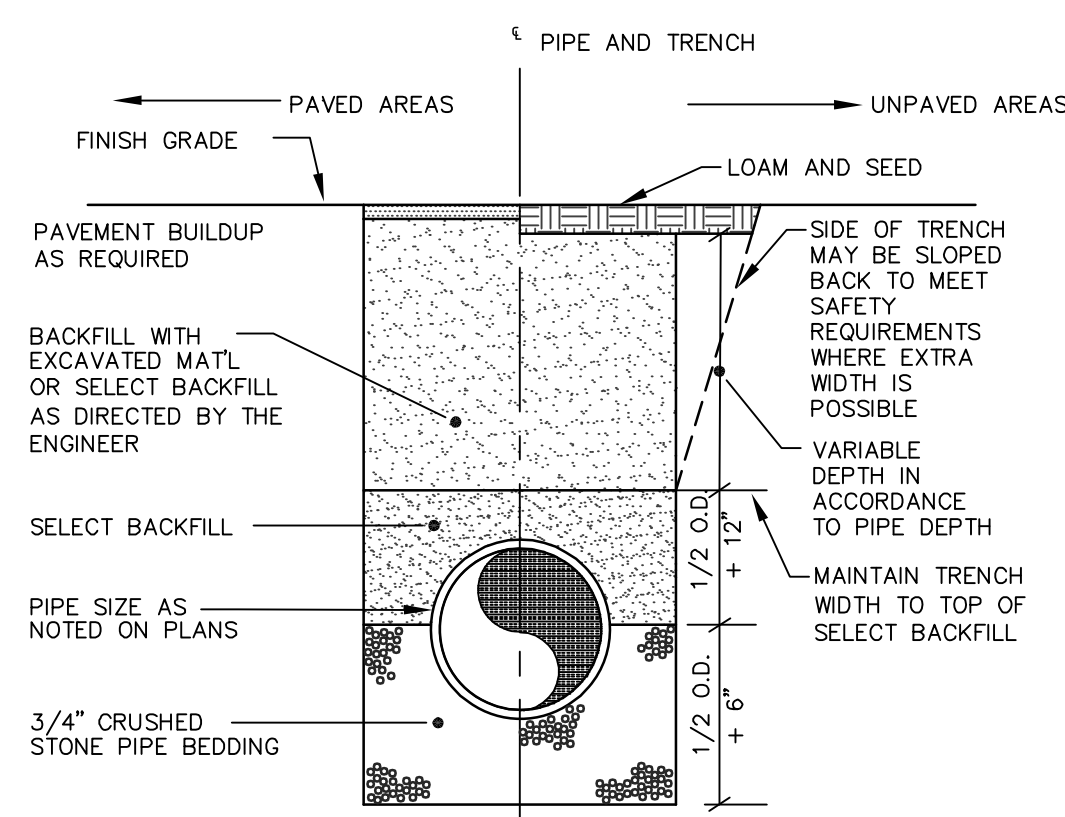
TYPICAL TIPDOWN CURB INSTALLATION

NOT TO SCALE



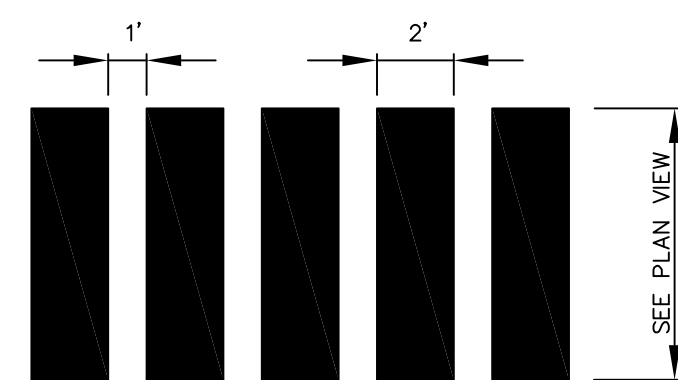
BITUMINOUS SIDEWALK

NOT TO SCALE



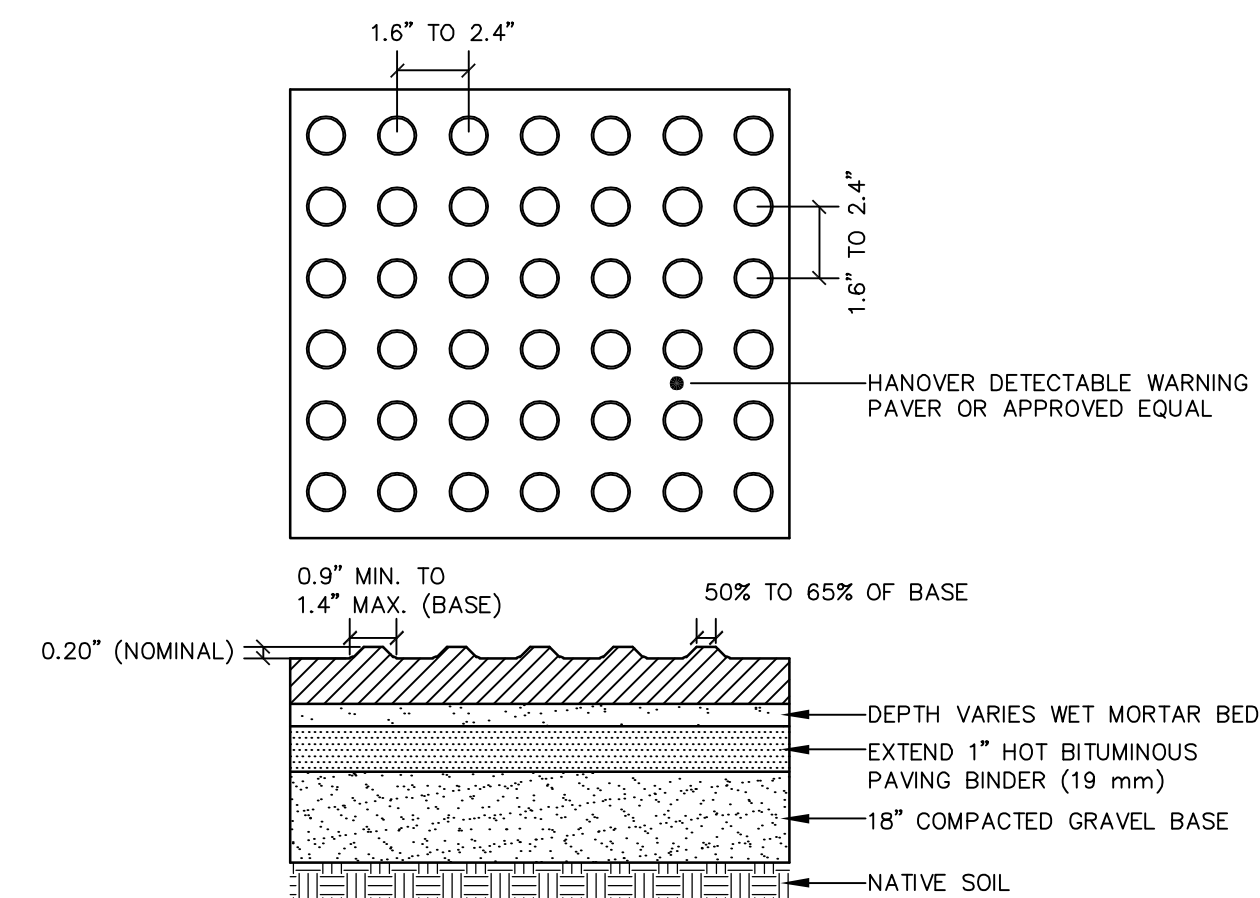
TYPICAL TRENCH SECTION

NOT TO SCALE



CROSSWALK DETAIL

NOT TO SCALE

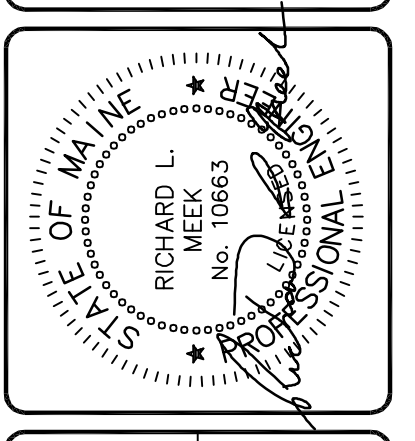


NOTES

- PAVERS ARE INSTALLED IN A WET MORTAR BED OVER HOT BITUMINOUS OR COMPACTED FILL BASE. THE WET MORTAR BED IS REQUIRED TO LEVEL THE PAVERS.
- SPACING REQUIREMENTS.**
 - TRUNCATED DOME PAVERS HAVE A BASE DIAMETER OF 0.9" (23 MM) MINIMUM TO 1.4" (36 MM) MAXIMUM, A TOP DIAMETER OF 50% OF THE BASE DIAMETER MINIMUM TO 65% OF THE BASE DIAMETER MAXIMUM, AND A NOMINAL DOME HEIGHT OF 0.2" (5 MM).
 - TRUNCATED DOME PAVERS IN A DETECTABLE WARNING SURFACE HAVE A CENTER-TO-CENTER SPACING OF 1.6" (41 MM) MINIMUM AND 2.4" (61 MM) MAXIMUM, AND A BASE-TO-BASE SPACING OF 0.65" (16 MM) MINIMUM, MEASURED BETWEEN THE MOST ADJACENT DOMES ON THE SQUARE GRID.
 - DETECTABLE WARNING SURFACES SHALL BE COLORED PER SPECIFICATION.

TACTILE WARNING STRIP DETAIL

NOT TO SCALE



DESIGNED	CHECKED
RLM	RLM
A RLM 10-03-16 SUBMIT FOR CLIENT REVIEW REV. BY: DATE: STATUS: THIS PLAN SHALL NOT BE MODIFIED WITHOUT WRITTEN PERMISSION FROM SEBAGO TECHNICS, INC. ANY ALTERATIONS AUTHORIZED OR OTHERWISE, SHALL BE AT THE USER'S SOLE RISK AND WITHOUT LIABILITY TO SEBAGO TECHNICS, INC.	

SEBAGO TECHNICS
 WWW/SEBAGO TECHNICS.COM
 75 John Roberts Rd., Suite B
 South Portland, ME 04106
 Tel. 207-200-2100 Tel. 207-783-5656

CONSTRUCTION DETAILS
 OF: **ALLAGASH BREWING COMPANY**
 INDUSTRIAL WAY
 PORTLAND, MAINE
 FOR: **50 INDUSTRIAL WAY, LLC**
 50 INDUSTRIAL WAY
 PORTLAND, MAINE 04103

PROJECT NO.	SCALE
02249	N.T.S.

SHEET 3 OF 3