

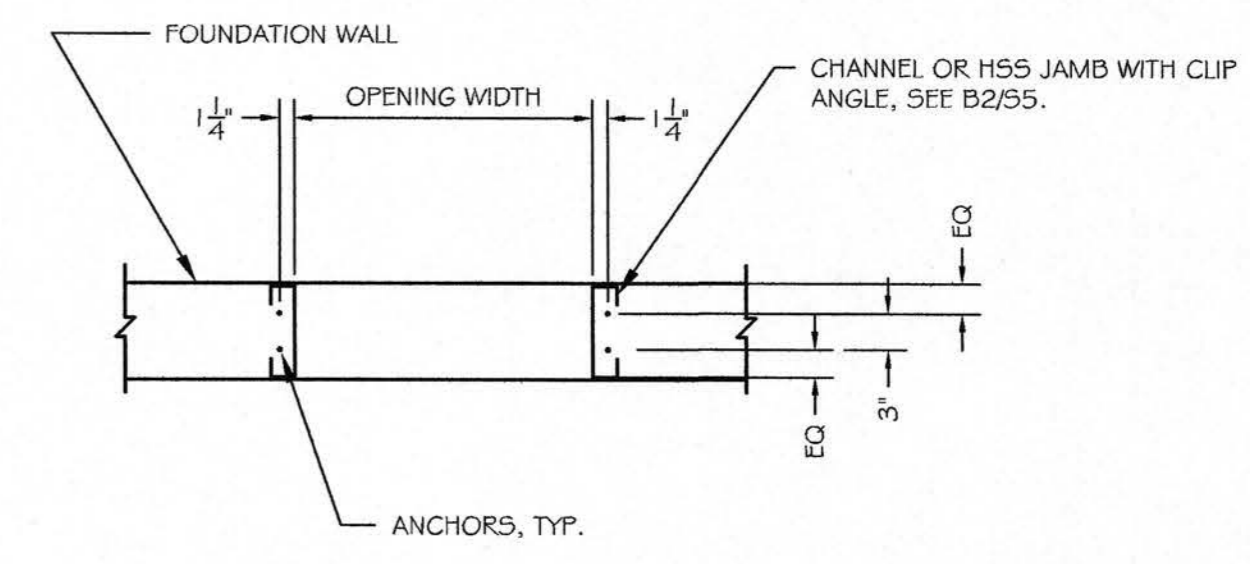
ASSOCIATED DESIGN PARTNERS INC.
 Office: (207) 878-1751
 (207) 878-1786
 E-Mail: adp@adpengineering.com
 80 Leighton Road
 Falmouth, Maine 04105

THIS DRAWING, DESIGN AND ELECTRONIC FILE ARE THE PROPERTY OF ASSOCIATED DESIGN PARTNERS, INC. THE REPRODUCTION, COPYING OR ANY OTHER USE OF THIS DOCUMENT WITHOUT WRITTEN CONSENT IS PROHIBITED.

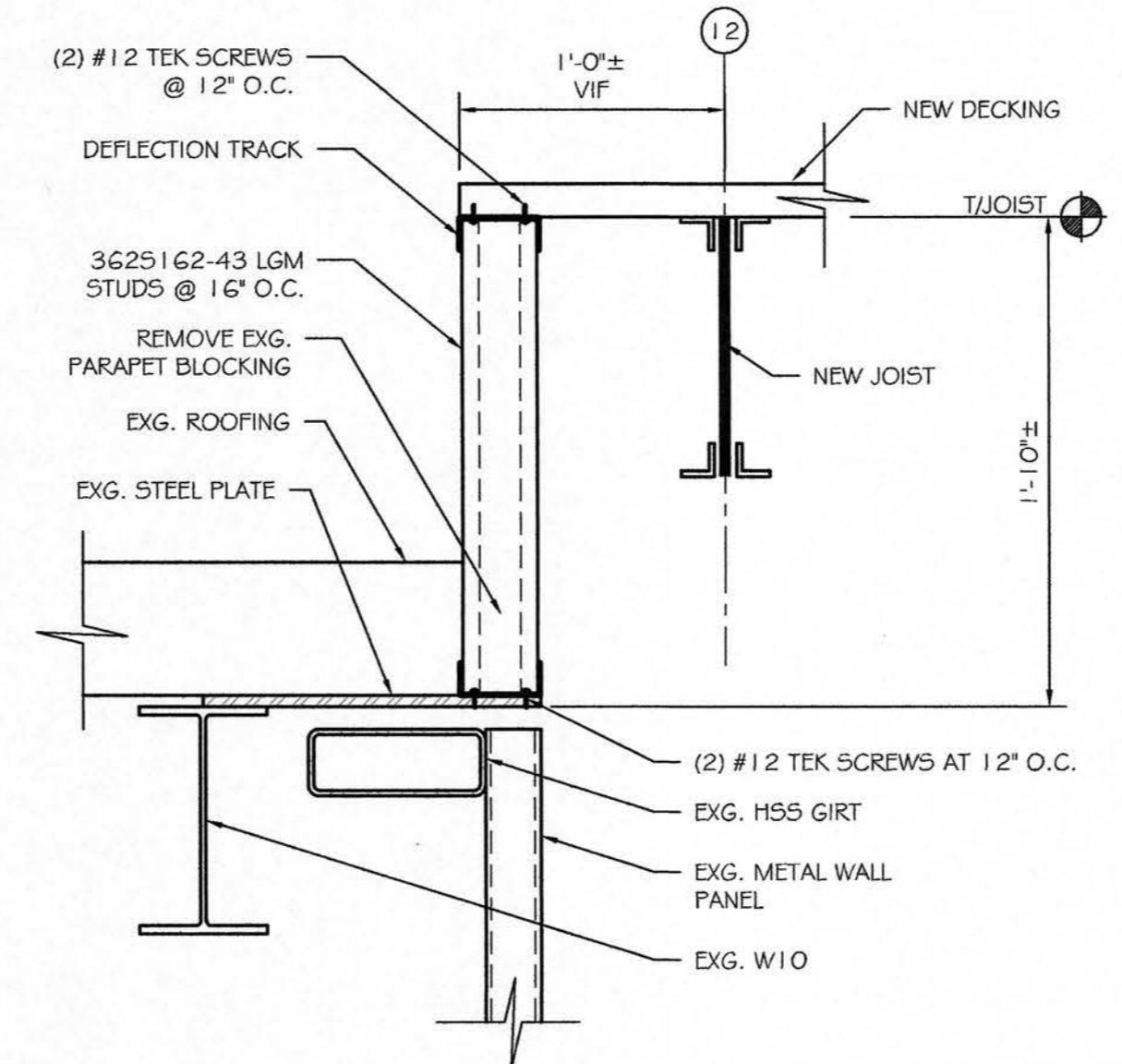
PROJECT: **ALLAGASH 2018 PACKAGING EXPANSION**
50 INDUSTRIAL WAY, PORTLAND ME
 FOR: ALLAGASH BREWING CO.
 SHEET TITLE: **FRAMING DETAILS**
ISSUED FOR PERMITTING

NO.	BY	DATE

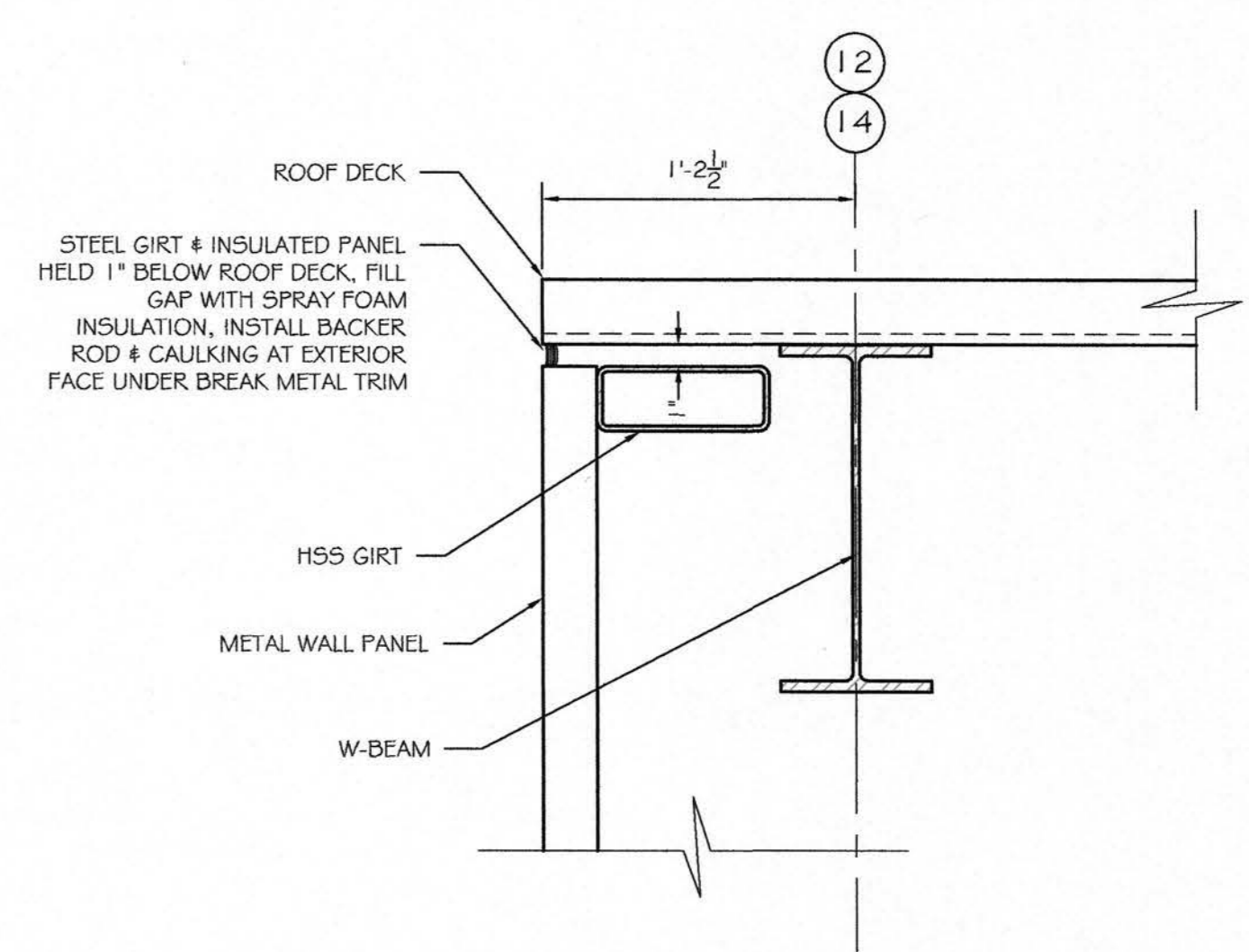
DATE : 4/4/18
 SCALE : AS NOTED
 DESIGN BY: ASW
 DRAWN BY: RSC
 FILE #:
 PROJECT NUMBER:
18001
 SHEET NO:
39



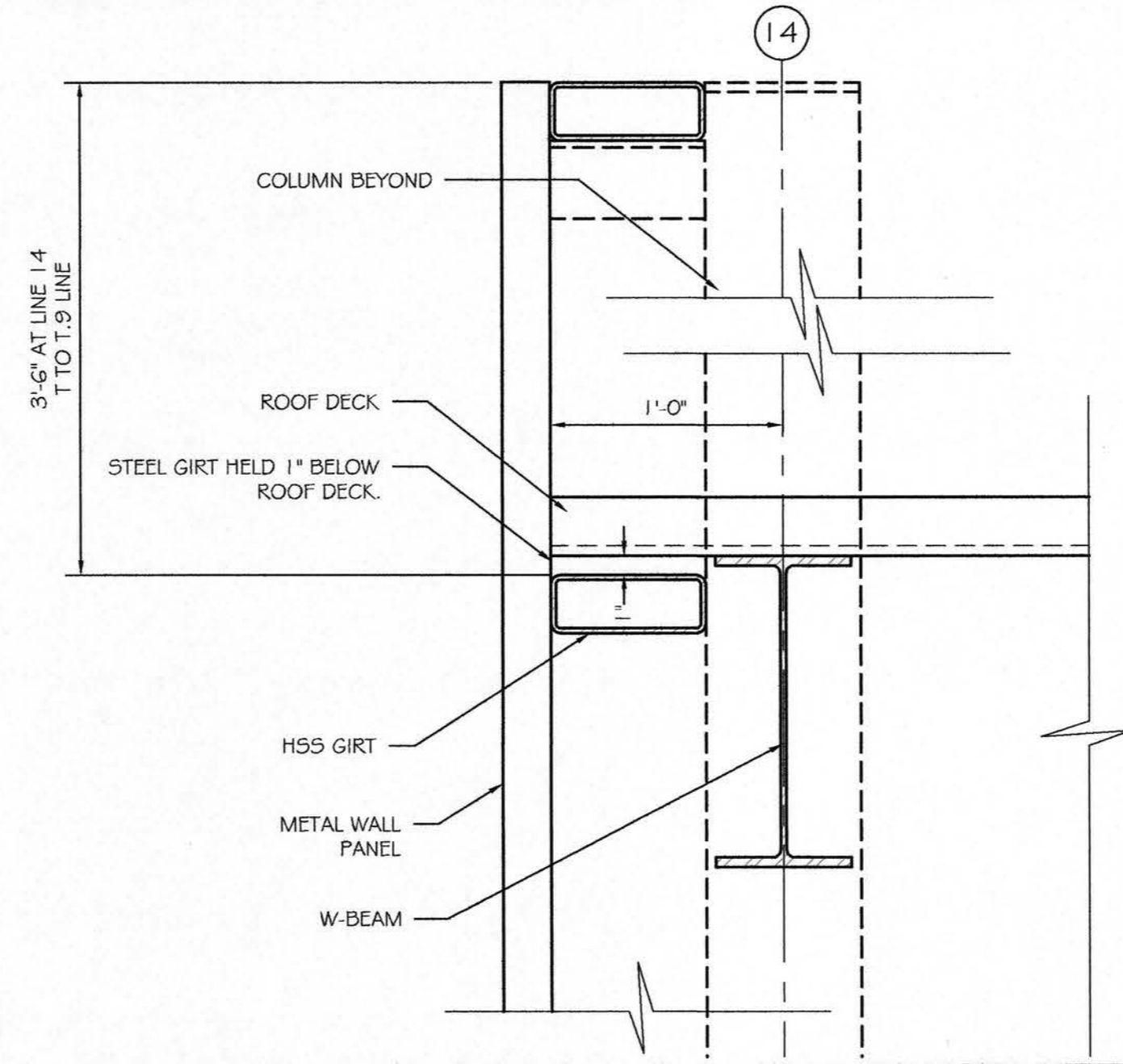
C1 ANCHORS AT FRAMED OPENINGS
 SCALE: NO SCALE



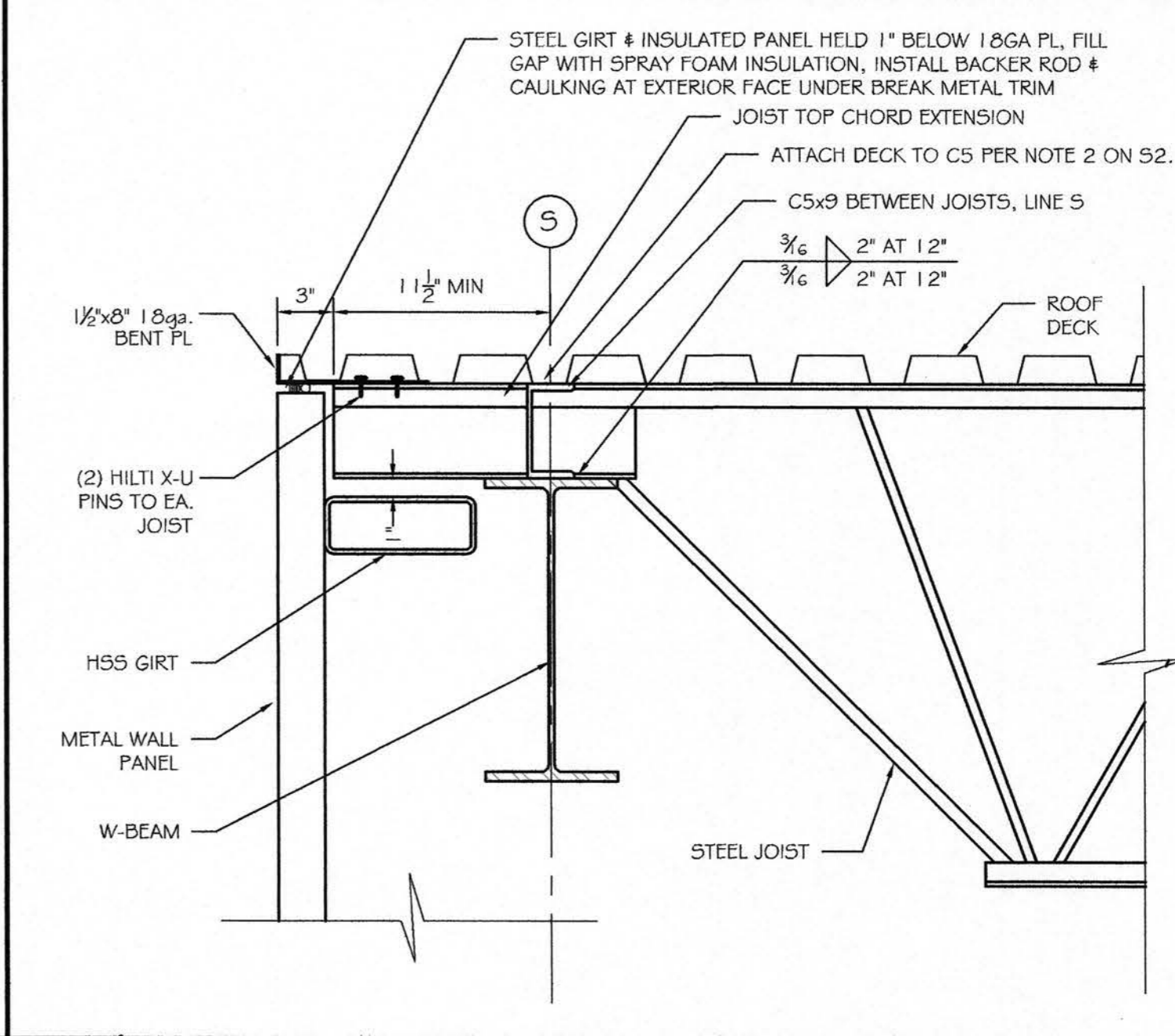
B2 DETAIL
 SCALE: 1/2" = 1'-0"



B1 DETAIL
 SCALE: 1" = 1'-0"



A2 ROOF DETAIL
 SCALE: 1/2" = 1'-0"



A1 ROOF DETAIL
 SCALE: 1/2" = 1'-0"

C4

C3

B4

B3

A4

A3