

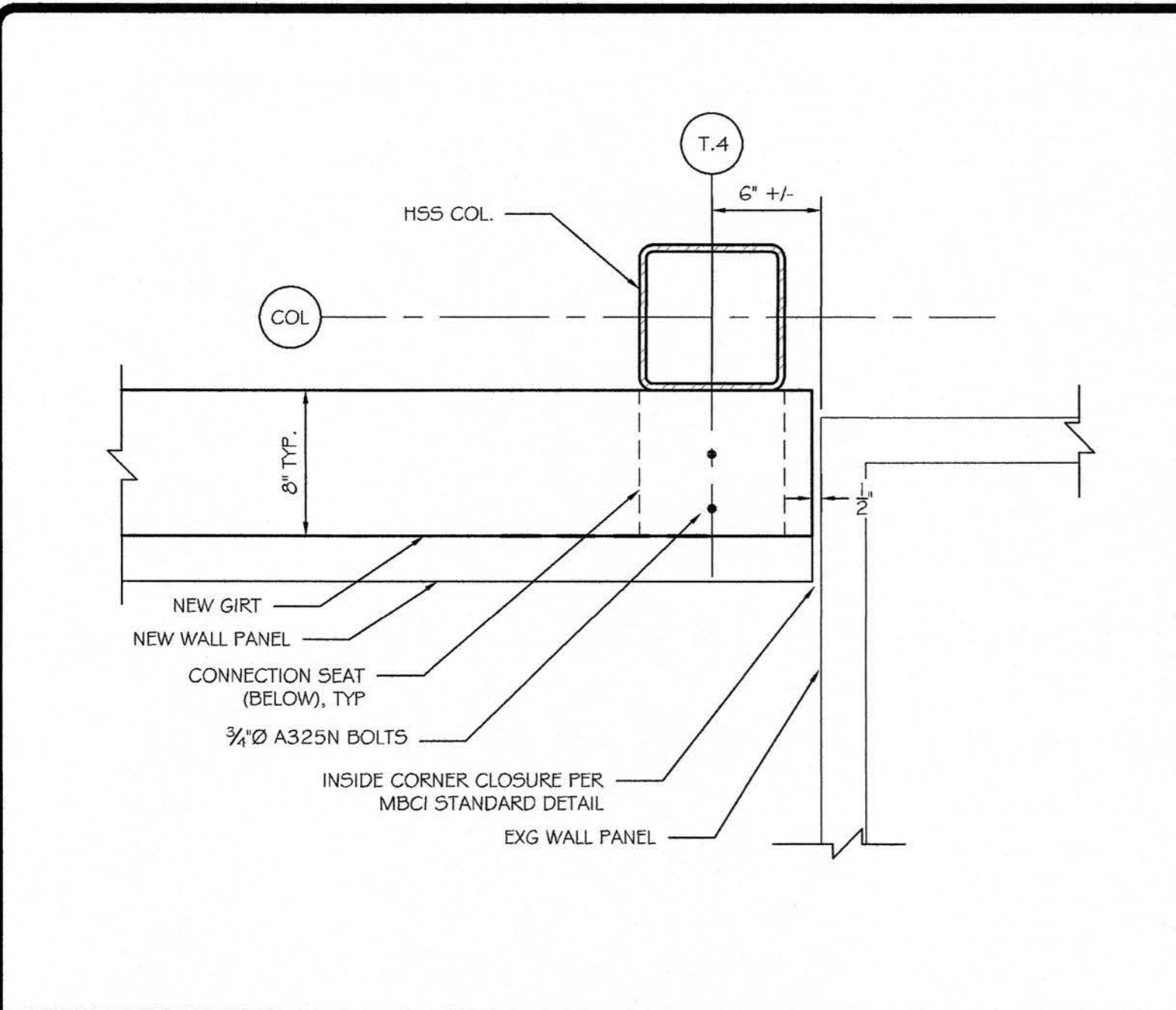
ASSOCIATED DESIGN PARTNERS INC.
 Office: (207) 878-1751
 Fax: (207) 878-1788
 E-Mail: adp@adpengineering.com
 80 Leighton Road
 Falmouth, Maine 04105

THIS DRAWING, DESIGN AND ELECTRONIC FILE ARE THE PROPERTY OF ASSOCIATED DESIGN PARTNERS, INC. THE REPRODUCTION, COPYING OR ANY OTHER USE OF THIS DOCUMENT WITHOUT WRITTEN CONSENT IS PROHIBITED.

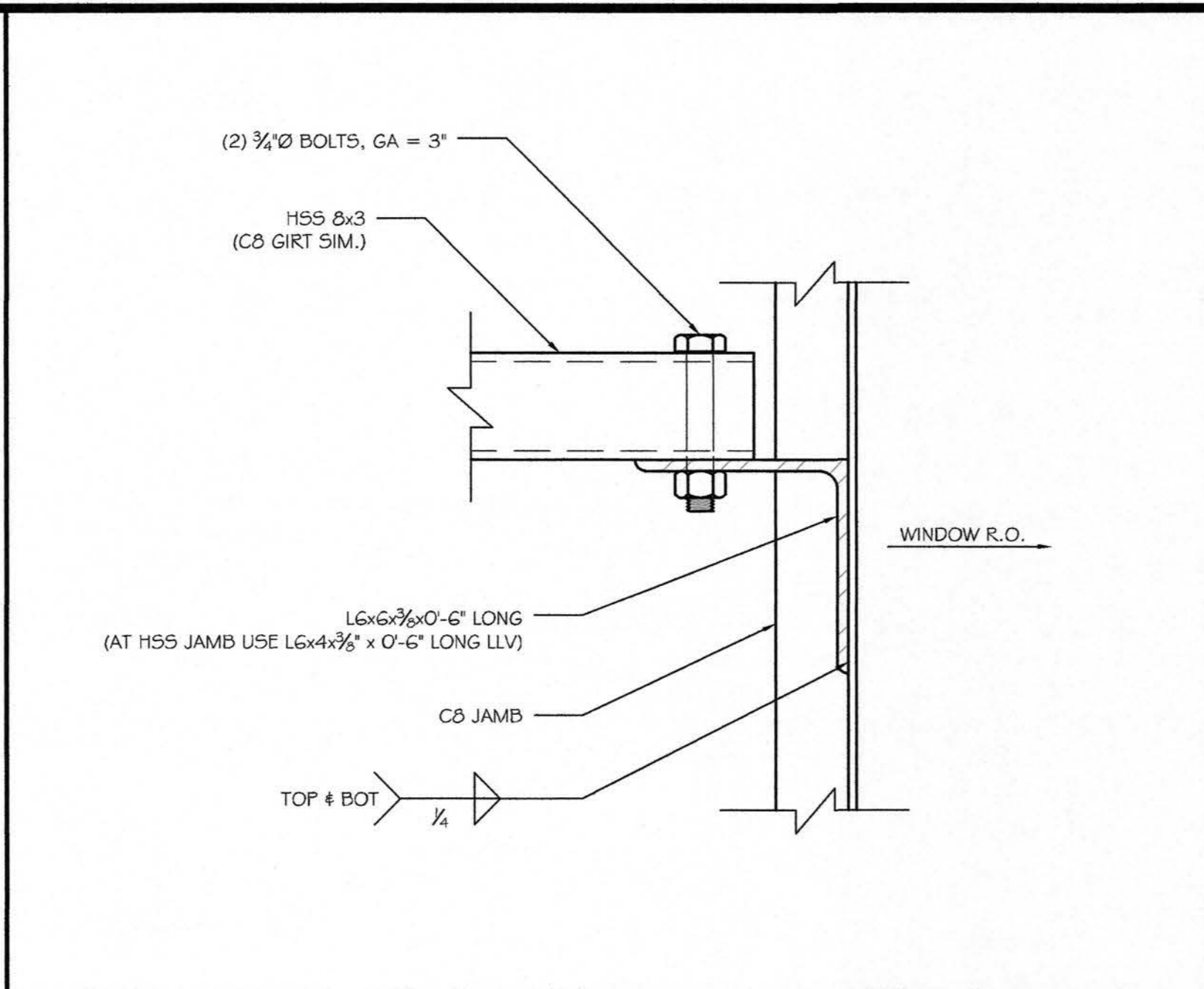
PROJECT: ALLAGASH 2018 PACKAGING EXPANSION
50 INDUSTRIAL WAY, PORTLAND ME
 FOR: ALLAGASH BREWING CO.
SHEET TITLE: FRAMING DETAILS
ISSUED FOR PERMITTING

REVISIONS	DESCRIPTION	DATE
No.	BY	
1		
2		
3		
4		

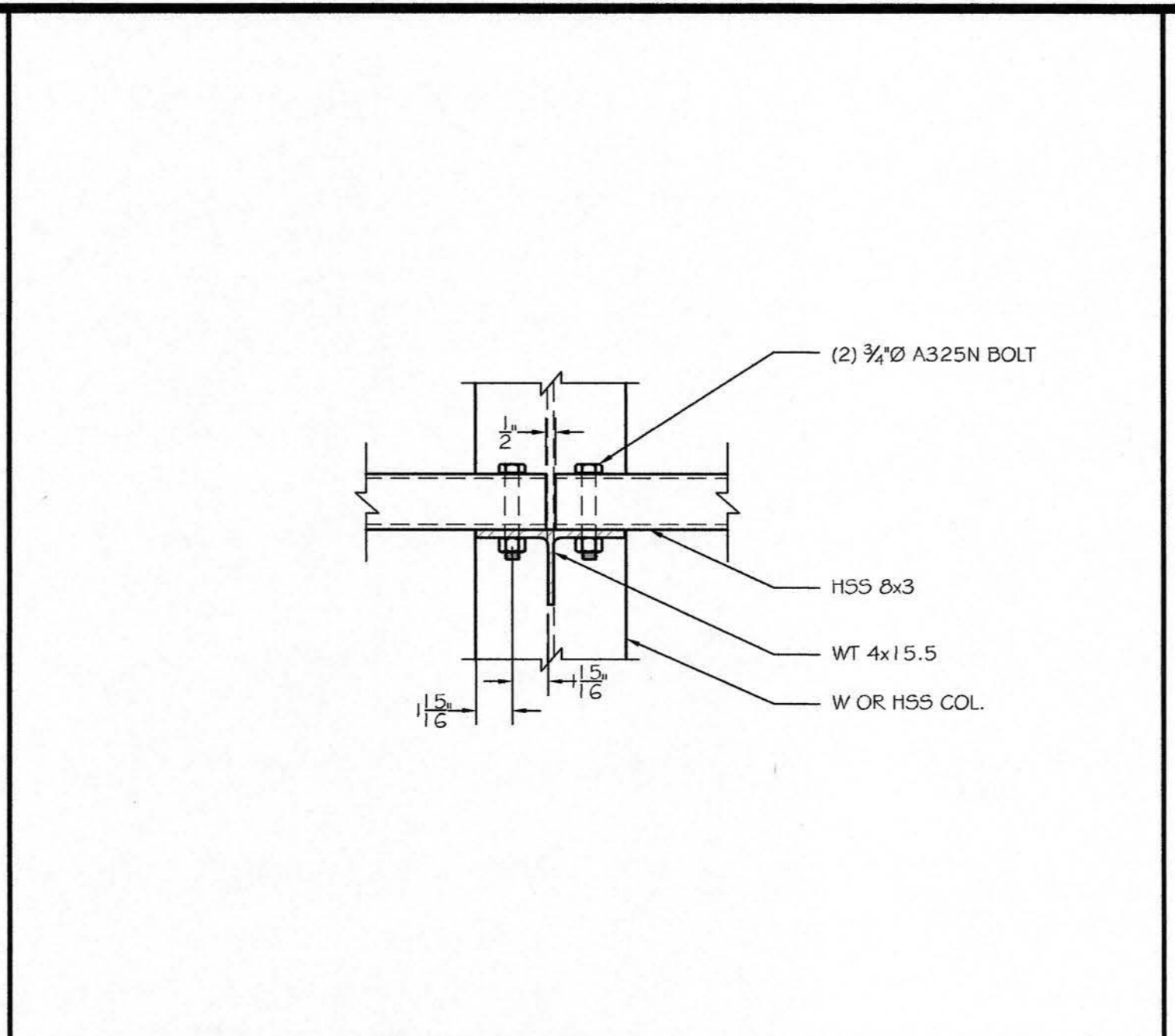
DATE : 4/4/18
 SCALE : AS NOTED
 DESIGN BY: ASW
 DRAWN BY: RSC
 FILE #:
 PROJECT NUMBER:
18001
 SHEET NO:
56



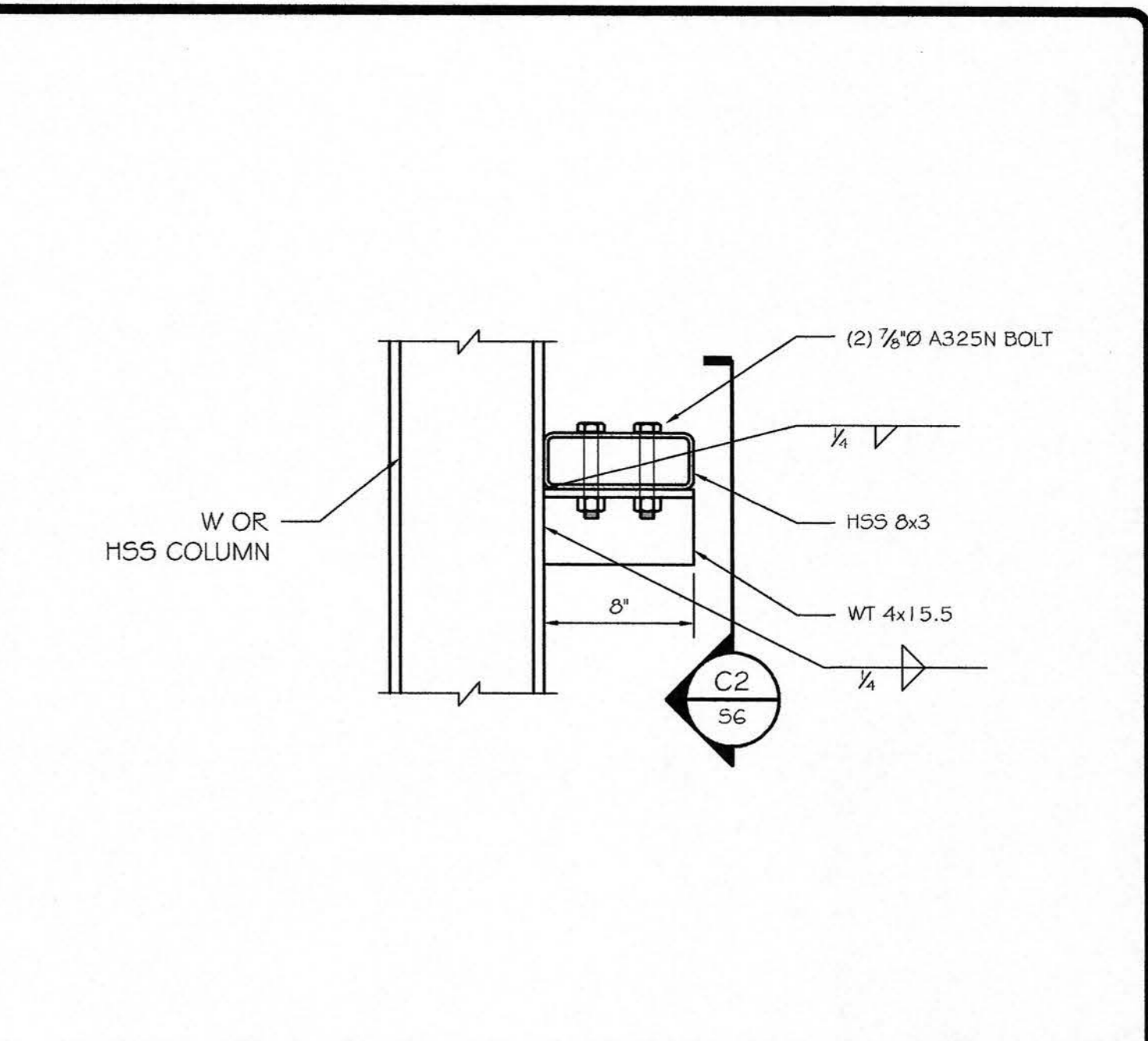
C4 GIRTS CONNECTION ADJACENT TO EXG
 SCALE: 1/2" = 1'-0"



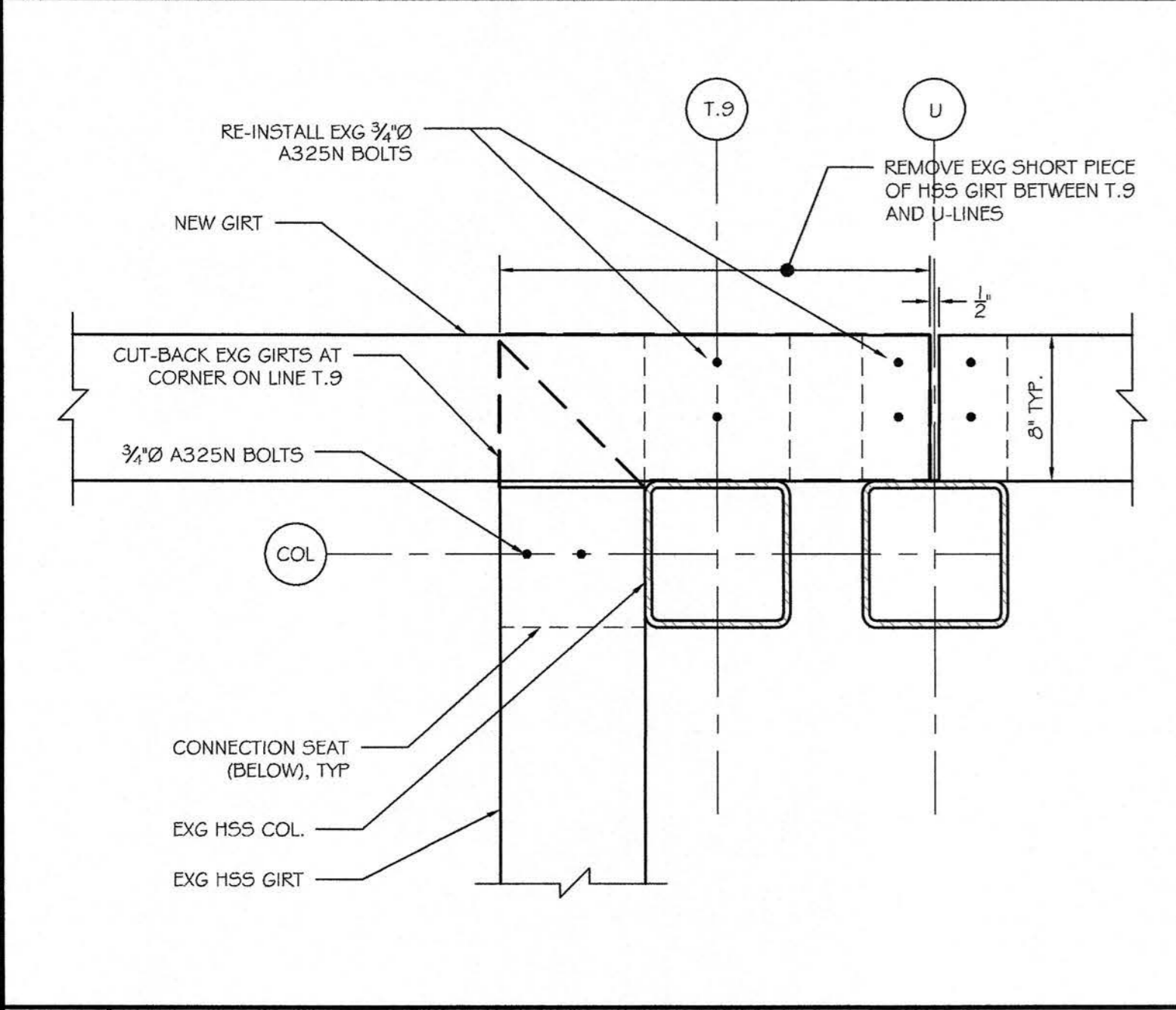
C3 WIND GIRTS TO CHANNEL JAMB CONNECTION
 SCALE: 3" = 1'-0"



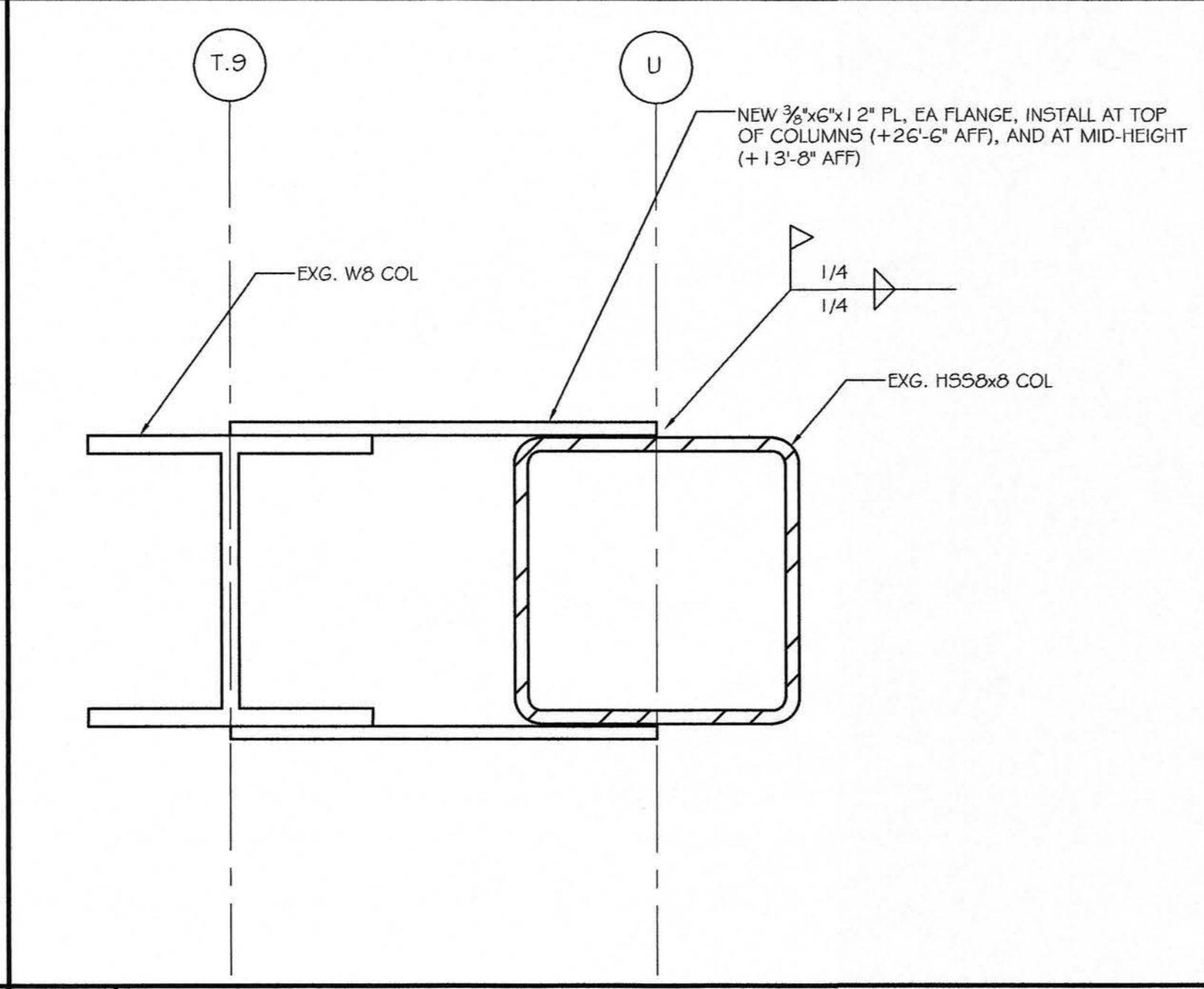
C2 HSS WIND GIRTS CONNECTION
 SCALE: 1" = 1'-0"



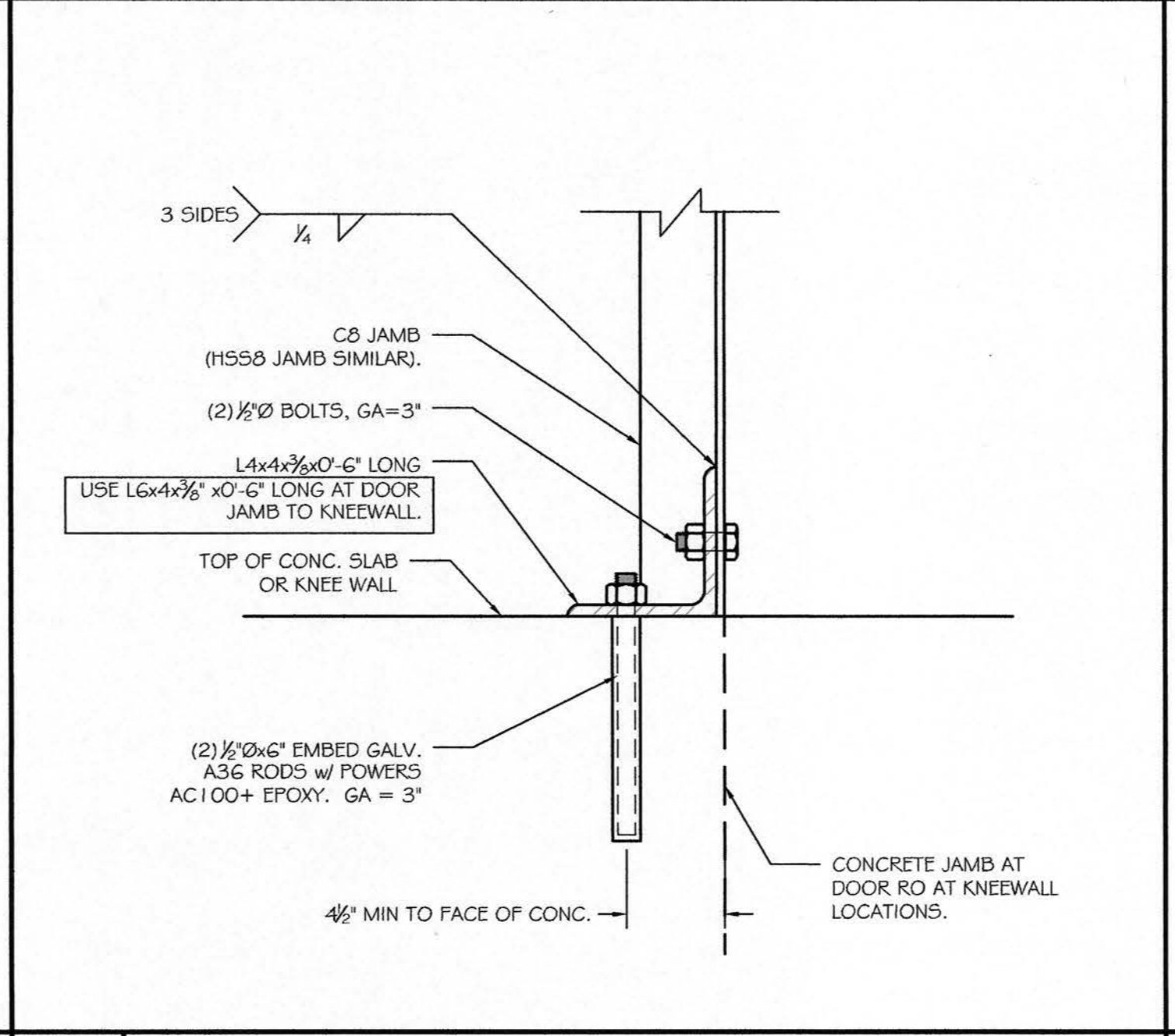
C1 HSS WIND GIRTS CONNECTION SECTION
 SCALE: 1" = 1'-0"



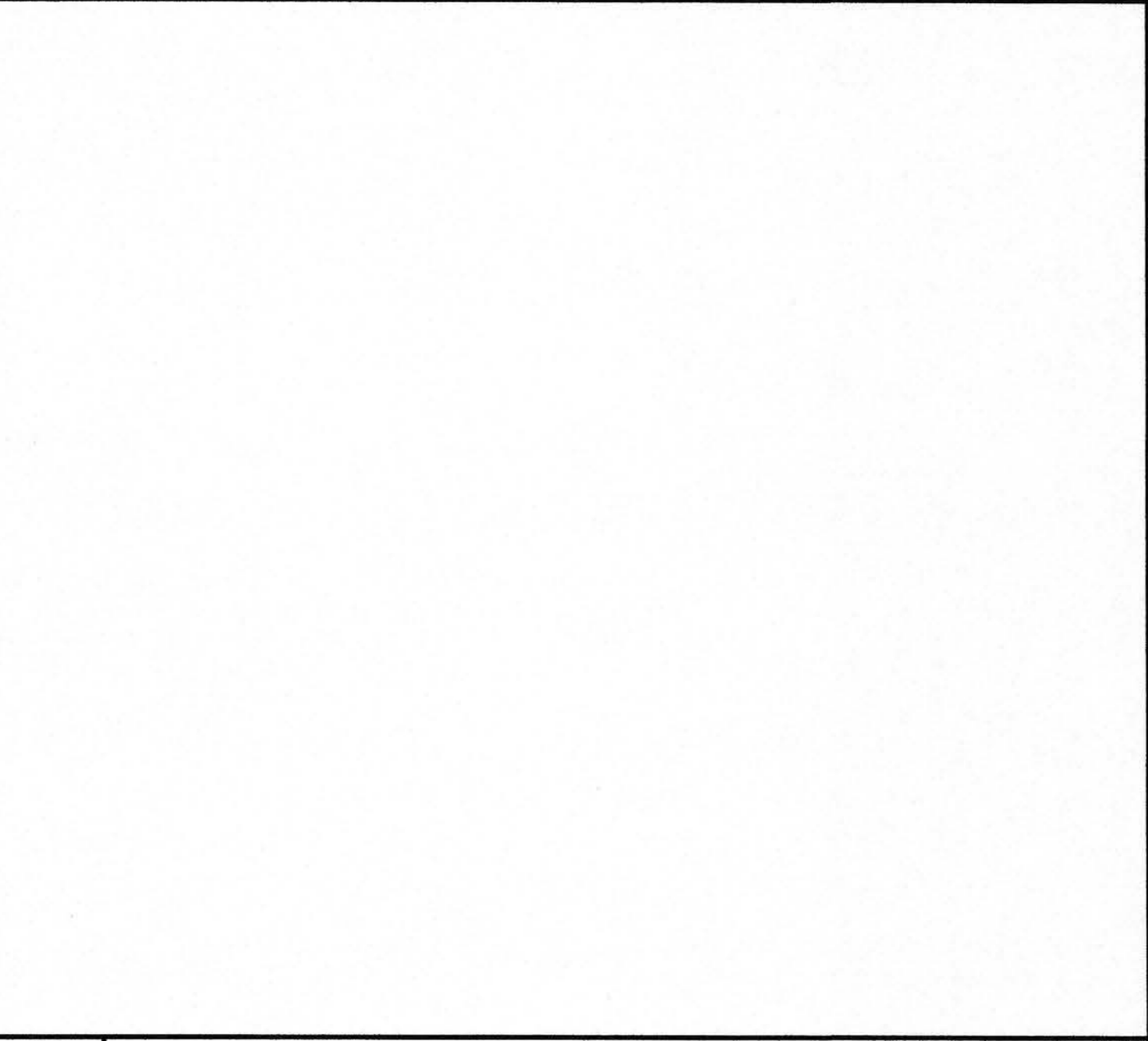
B4 GIRTS CONNECTION - NEW TO EXG
 SCALE: 1/2" = 1'-0"



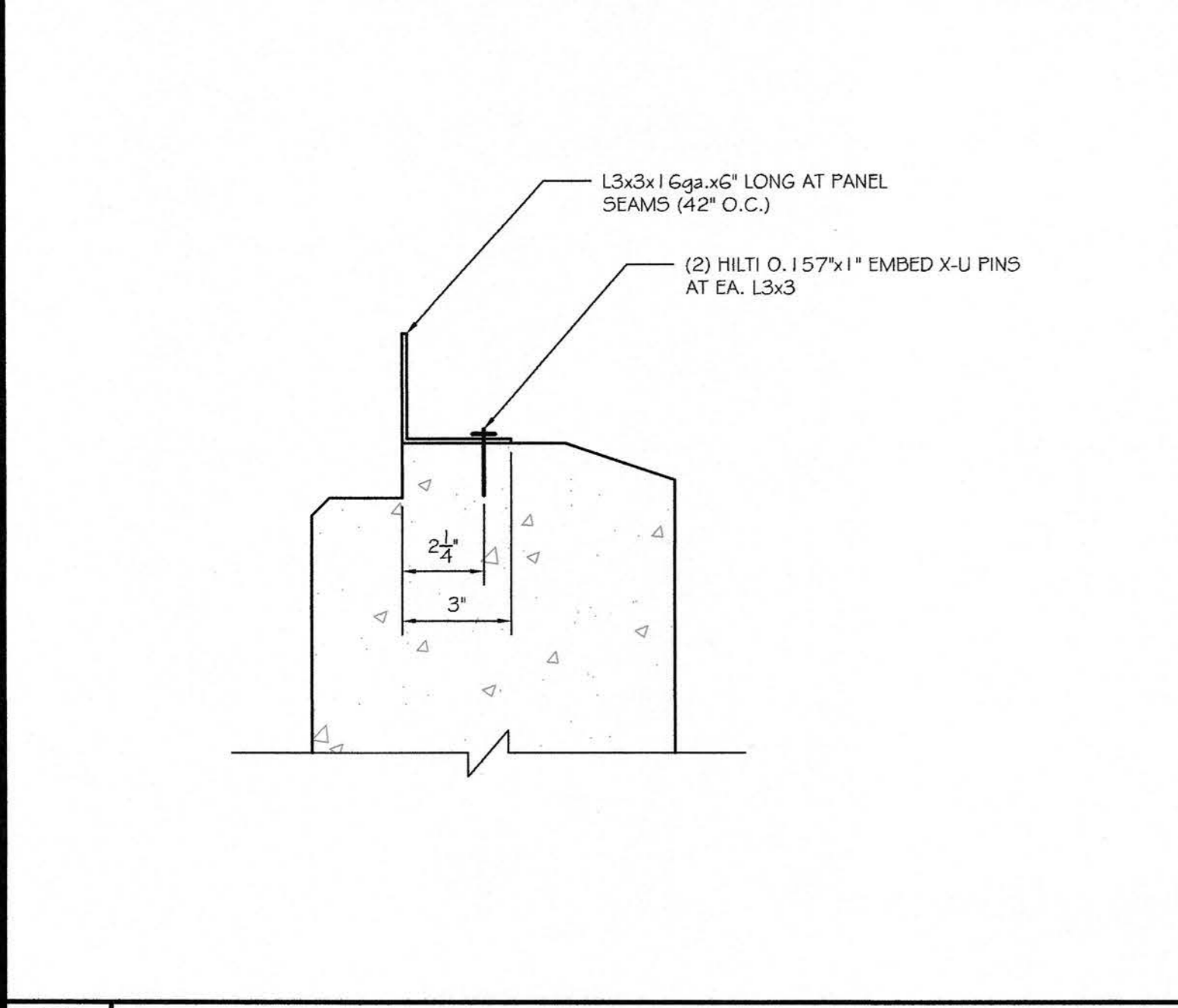
B3 DETAIL AT EXISTING COLUMNS
 SCALE: 3" = 1'-0"



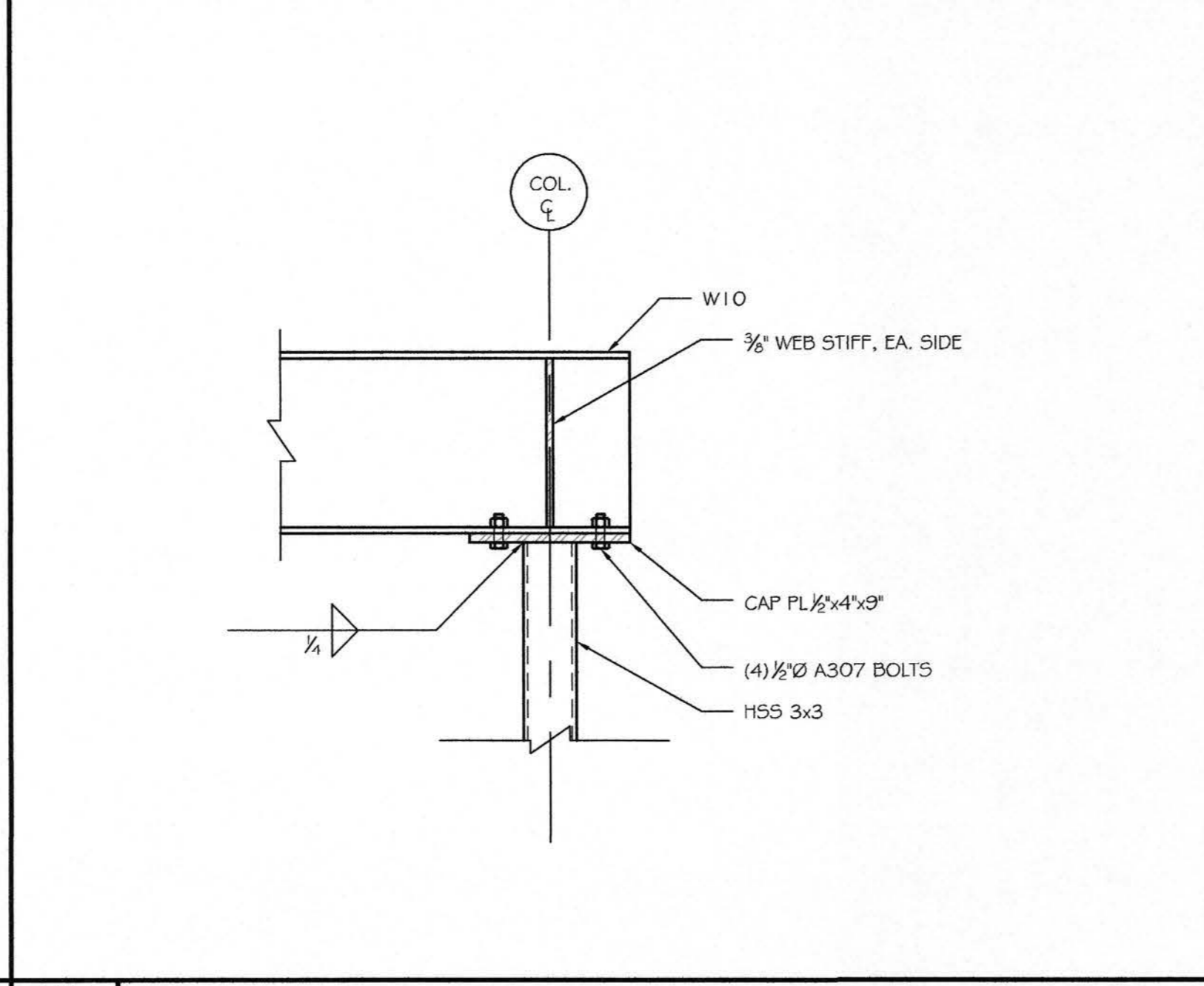
B2 CHANNEL JAMB TO CONCRETE
 SCALE: 3" = 1'-0"



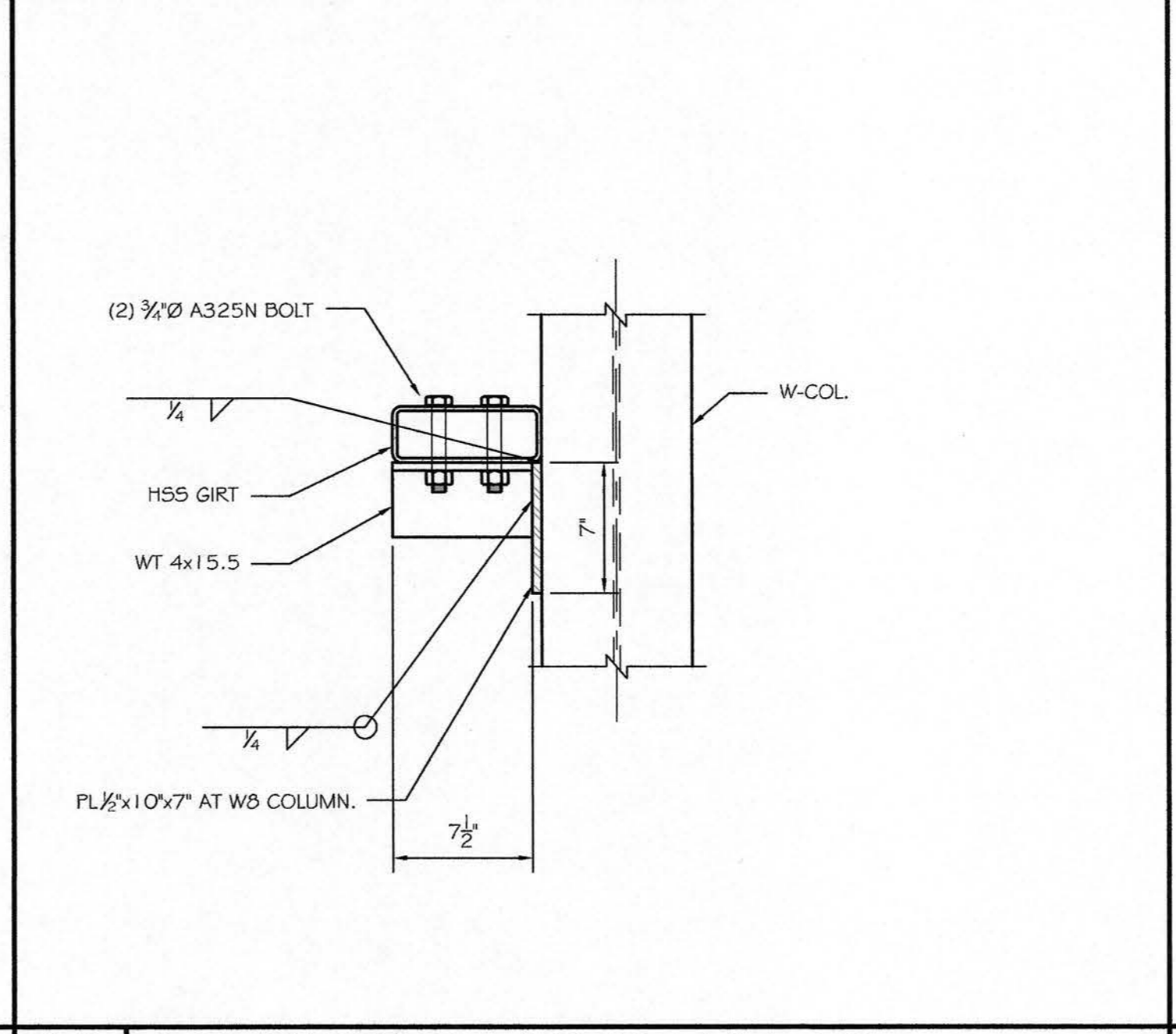
B1



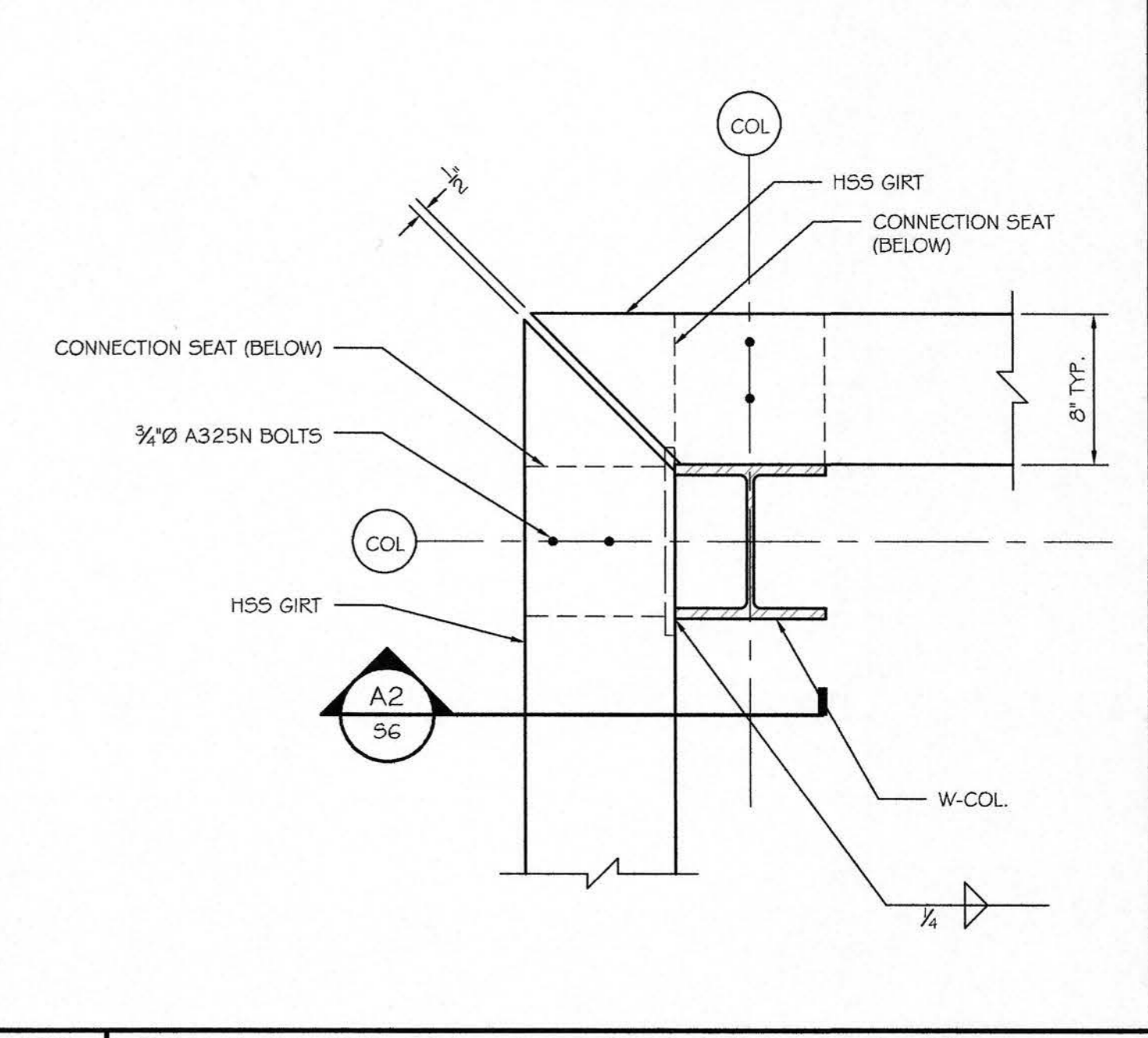
A4 WALL PANEL CLIP DETAIL
 SCALE: 3" = 1'-0"



A3 DETAIL
 SCALE: 1/2" = 1'-0"



A2 GIRTS CONNECTION SECTION AT W-COL
 SCALE: 1/2" = 1'-0"



A1 GIRTS CORNER CONNECTION DETAIL AT W-COL
 SCALE: 1/2" = 1'-0"