

E = EXISTING
E/R = EXISTING / RELOCATED

WINDOW SCHEDULE

NO.	TYPE	MANUFACTURER		NOMINAL SIZE		DETAILS				REMARKS	
		MATERIAL	MODEL	WIDTH	HEIGHT	HEAD	JAMB	SILL	MUNT		MULL
A	-	-	-	-	-	-	-	-	-	-	NOT USED
B	FIXED	TUBELITE *	14000 VO SERIES	3'-6"	5'-6"						MATCH BREWHOUSE ADDITION MFGR
C	FIXED	TUBELITE *	14000 VO SERIES	10'-6"	4'-0"						MATCH BREWHOUSE ADDITION MFGR
D	-	-	-	-	-	-	-	-	-	-	NOT USED
F	FIXED	HOLLOW METAL	"B" LABEL	3'-6"	3'-6"						FIRE RATED ASSEMBLY
G	-	-	-	-	-	-	-	-	-	-	NOT USED
H	-	-	-	-	-	-	-	-	-	-	NOT USED
J	FIXED	WASCO	DOTBVV	5'-0"	20'-0"			MFGR			*LENGTH / LOW PROFILE BARREL VAULTS
K	-	-	-	-	-	-	-	-	-	-	NOT USED
L	-	-	-	-	-	-	-	-	-	-	NOT USED
E/R	EXISTING	EXISTING	EXISTING	6'-0" (F.V.)	16'-0" (F.V.)	E	E	E	E	E	RELOCATED EXISTING STOREFRONT WINDOW FROM 2010 ADDITION

ABBREVIATIONS

AL	ALUMINUM	T	TEMPERED
E	EXISTING	TH	TEMPERED INSULATED
EMHO	ELECTRO MAGNETIC HOLD OPENER	V	VINYL
GL	GLASS	W	WIRE
HM	HOLLOW METAL	WD	WOOD
INSUL	INSULATED	WJ	WITH
SS	STAINLESS STEEL		

HW-1

3 BUTTS
1 EXIT DEVICE w/ LEVER
1 CLOSER - PARALLEL ARM
1 DOOR BOTTOM
1 HEAD / JAMB WEATHERSTRIPPING SET
1 THRESHOLD
1 KICKPLATE

HW-2

3 BUTTS
1 LEVER LOCKSET - OFFICE FUNCTION
1 CLOSER - PARALLEL ARM
1 KICKPLATE
FRAME SILENCERS

HW-3

3 BUTTS
1 LEVER LOCKSET - STORE ROOM FUNCTION
1 CLOSER - PARALLEL ARM
1 KICKPLATE
FRAME SILENCERS

E = EXISTING (TO REMAIN)
E/R = EXISTING (RELOCATE)

DOOR SCHEDULE

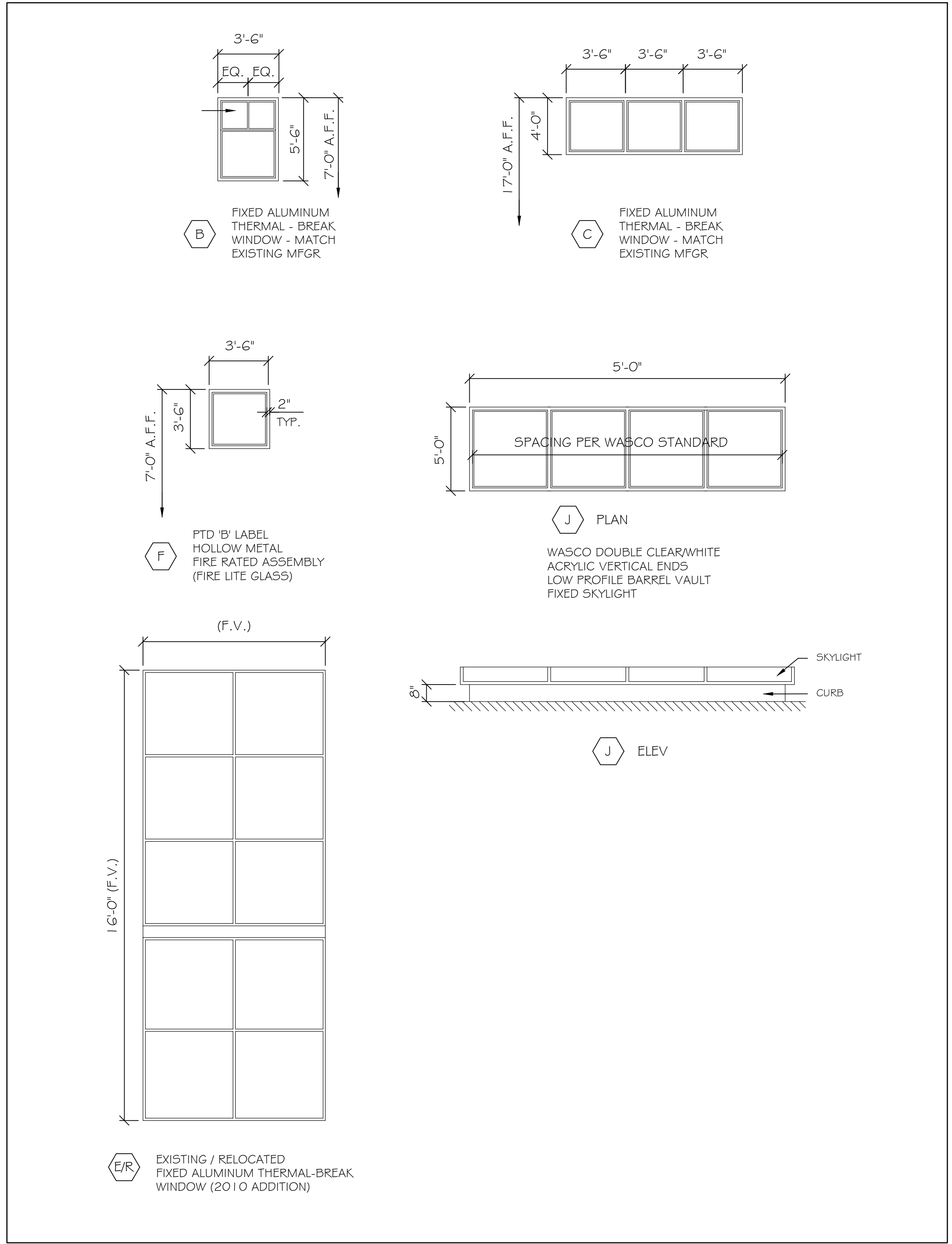
NO.	TYPE	SIZE (w x h)	THK	INSUL	HDWE	FR	GLASS		REMARKS	FRAMES			THRESHOLDS			
							TYPE	SIZE		TYPE	FR	PROFILE	HEAD	JAMB	MATERIAL	SILL
E/R	E	E	E	E	E	E	E	E	3x7' EXISTING	E	-	E	E	E	E	-
101	C	3'-0"x7'-0"	1 3/4"	R-10	HW-1	NO	T-INSUL	24X36	3x7' EXISTING	HM	NO	D			ALUM	-
102	A	12'-0"x12'-0"	MFGR	R-14	MFGR	NO	T-INSUL	(3)8"x24"	T-BREAK WHITE FINISH	HM	NO	A			NONE	-
103	B	3'-0"x7'-0"	1 3/4"	NO	HW-2	NO	NONE	NONE		HM	NO	C			NONE	-
104	B	3'-0"x7'-0"	1 3/4"	NO	HW-3	NO	NONE	NONE		HM	NO	C			NONE	-

GRANT HAYS ASSOCIATES

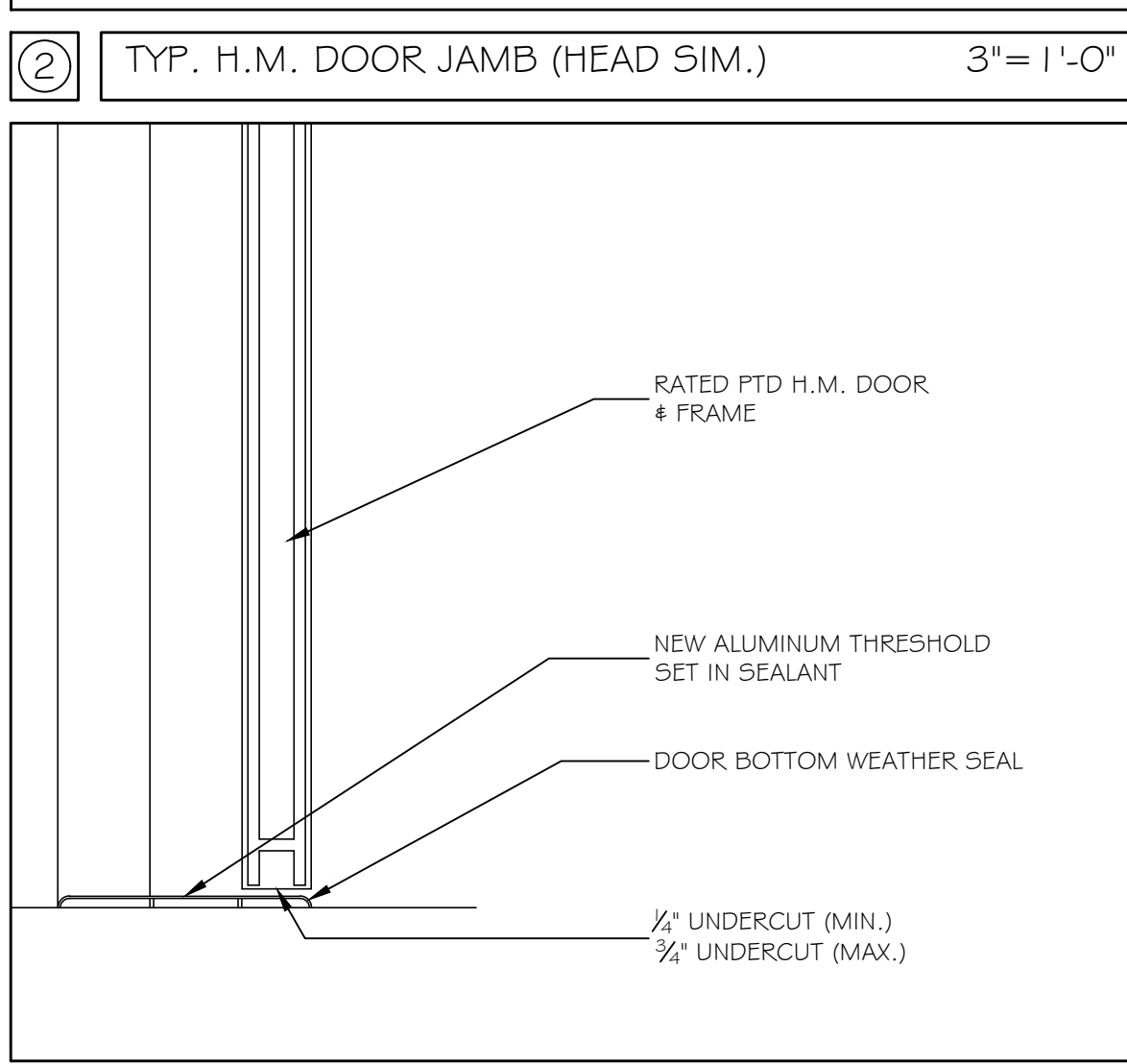
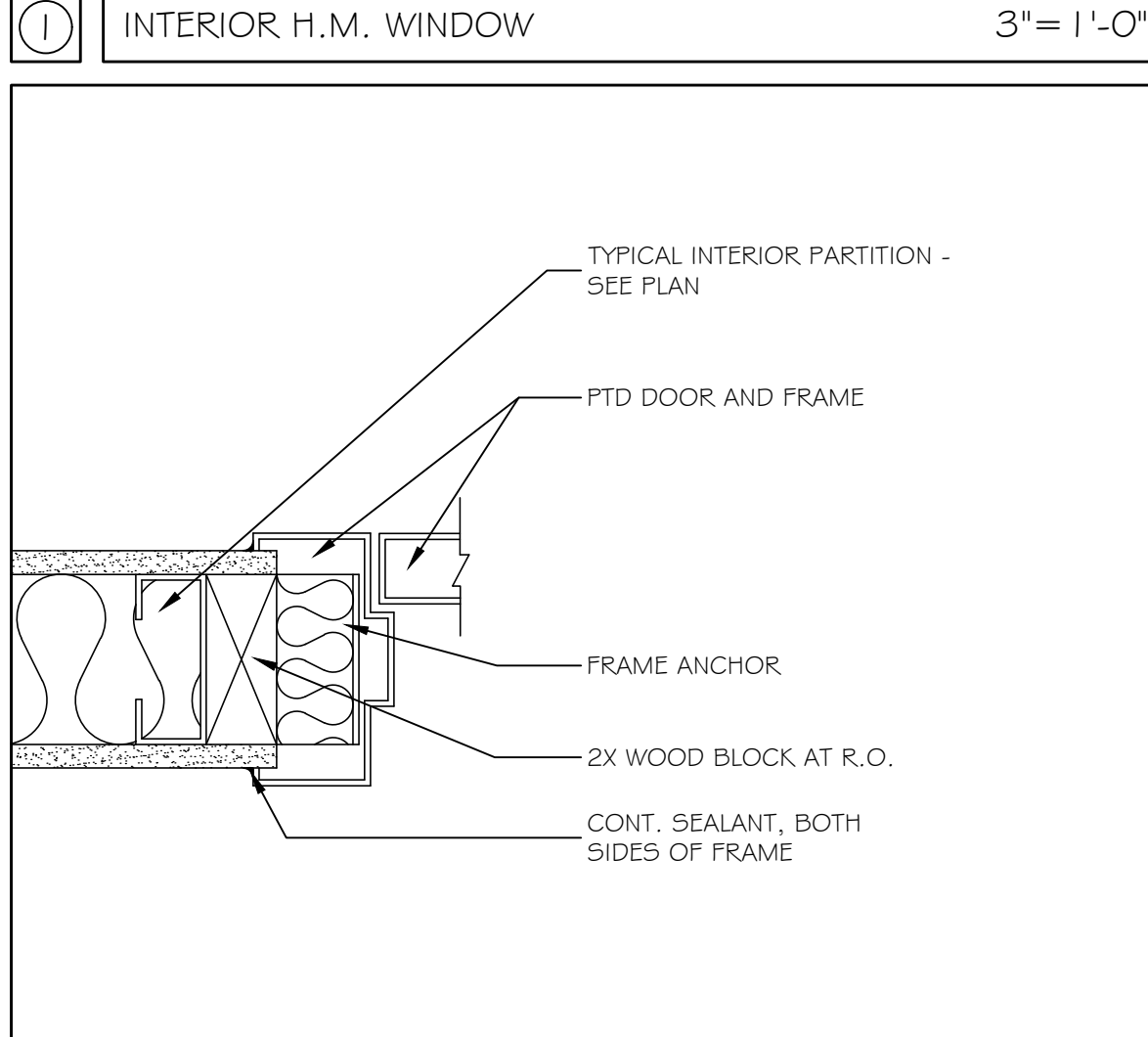
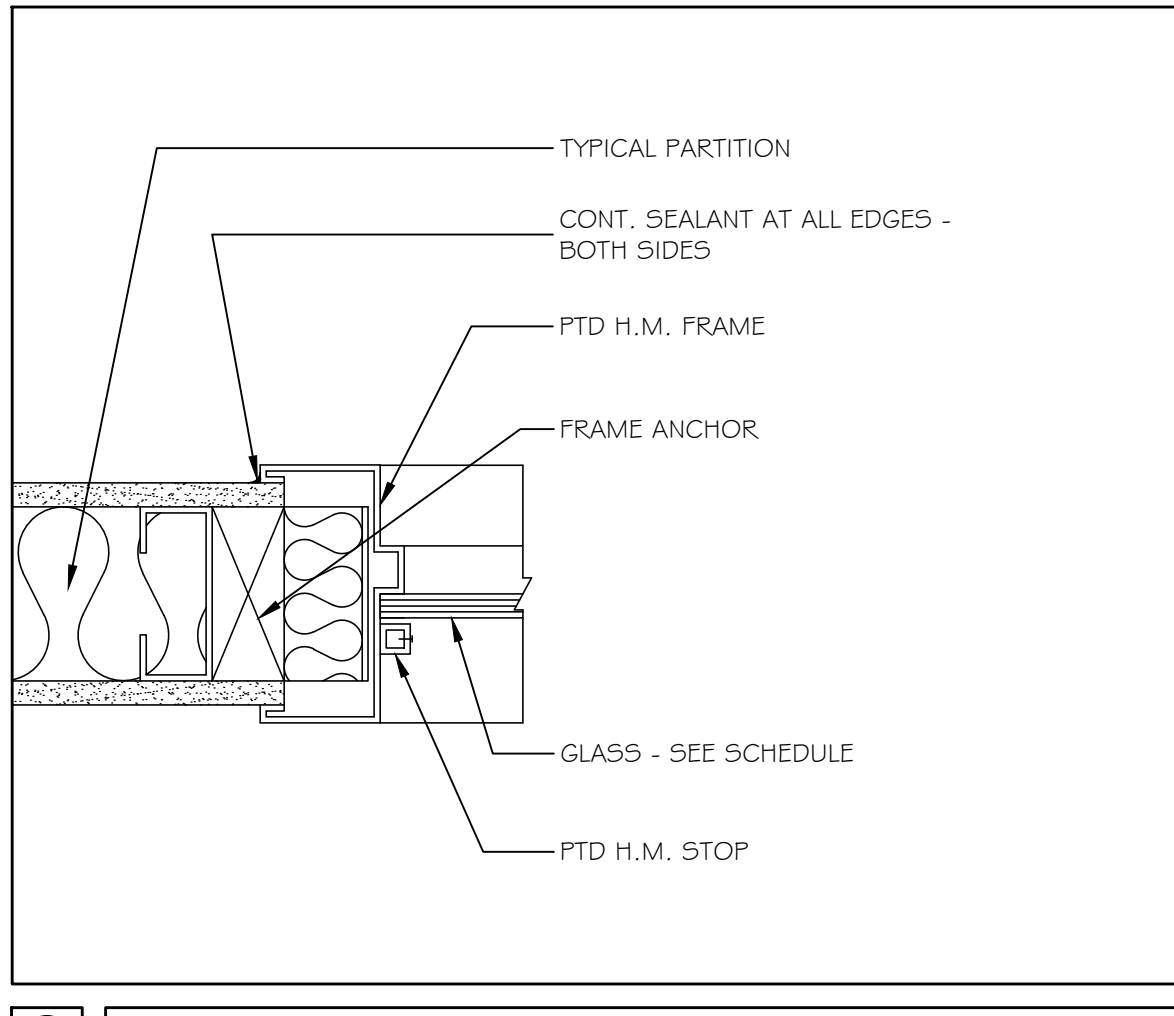
ARCHITECTURE & INTERIOR DESIGN
P.O. BOX 6179 FALMOUTH MAINE 04103
207.871.5900 www.granthays.com

STATE OF MAINE LICENSED ARCHITECT
MICHAEL F. HAYS No. 1724

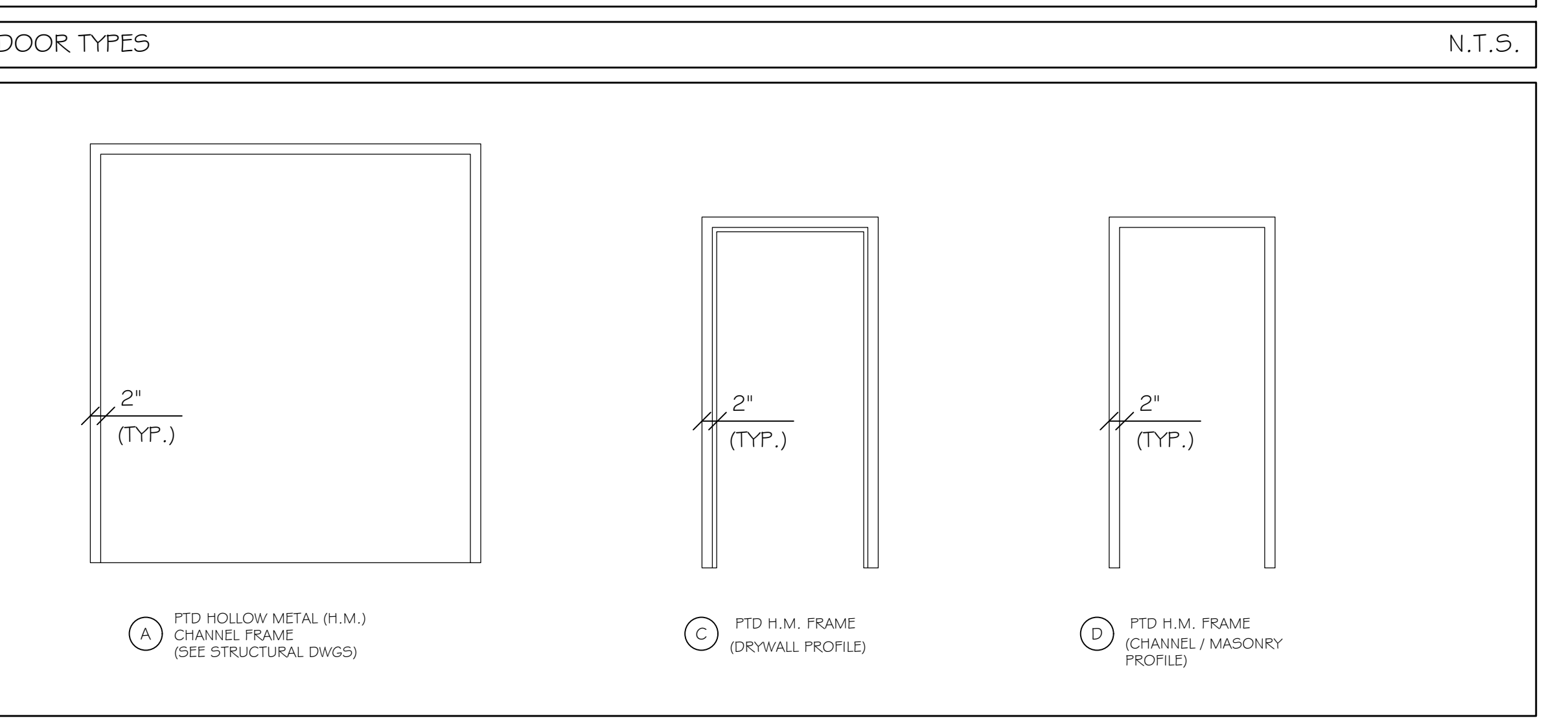
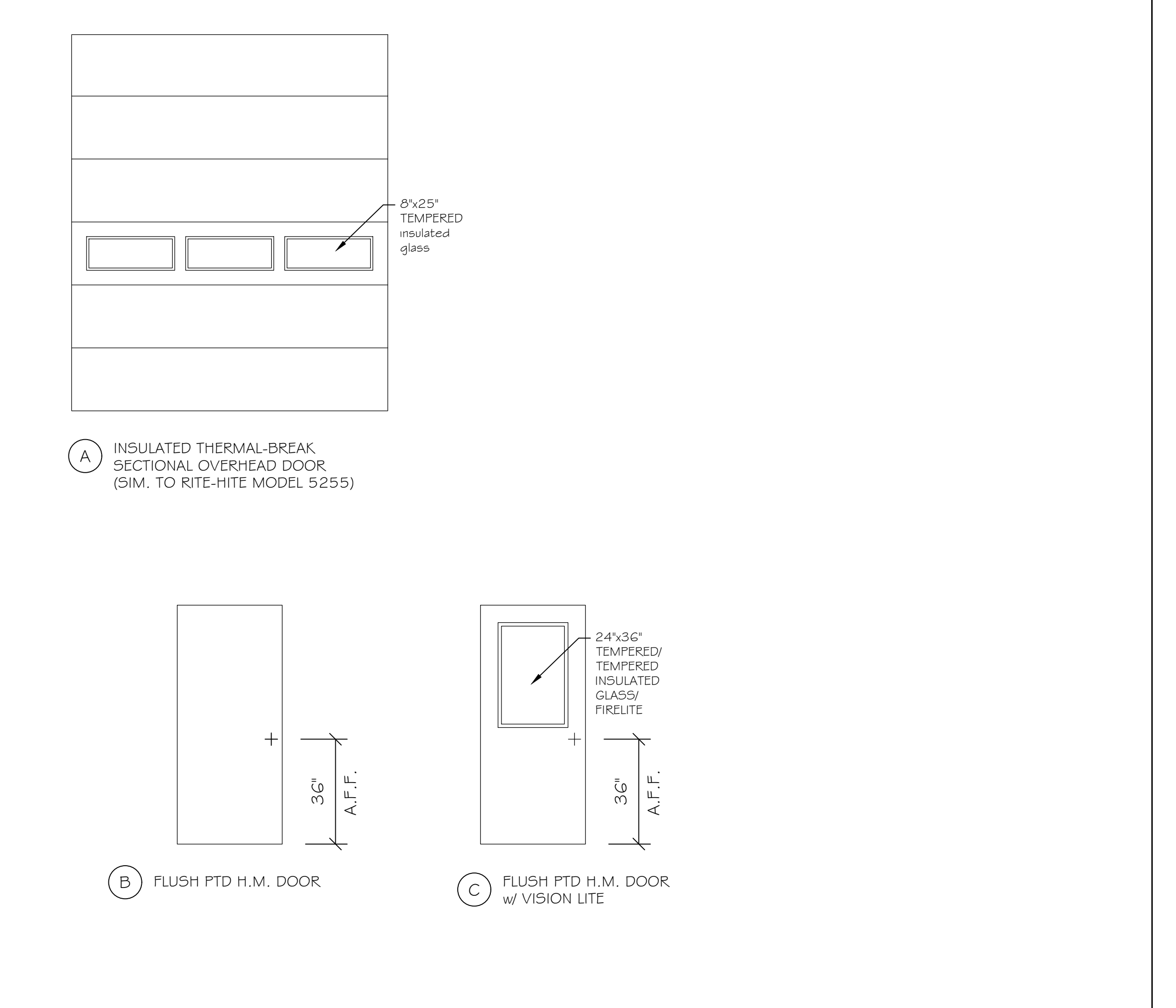
Michael F. Hays



HARDWARE SETS NO SCALE



DOOR TYPES N.T.S.



WINDOW TYPES N.T.S. | DOOR TYPES N.T.S. | FRAME TYPES N.T.S.

REV/10/17

DRAWING NAME

2018 PACKAGING ADDITION
ALLAGASH BREWING COMPANY
50 INDUSTRIAL WAY PORTLAND, MAINE 04103
PROJECT # 18-005

DOORS & WINDOWS

DATE: 4 APR 2018
SCALE: AS NOTED
DRAWN: MFH/mgk
JOB NO.: 180112

A-8

COPYRIGHT REPRODUCTION OR REV. OF THIS DOCUMENT WITHOUT WRITTEN PERMISSION FROM GRANT HAYS ASSOCIATES IS PROHIBITED.