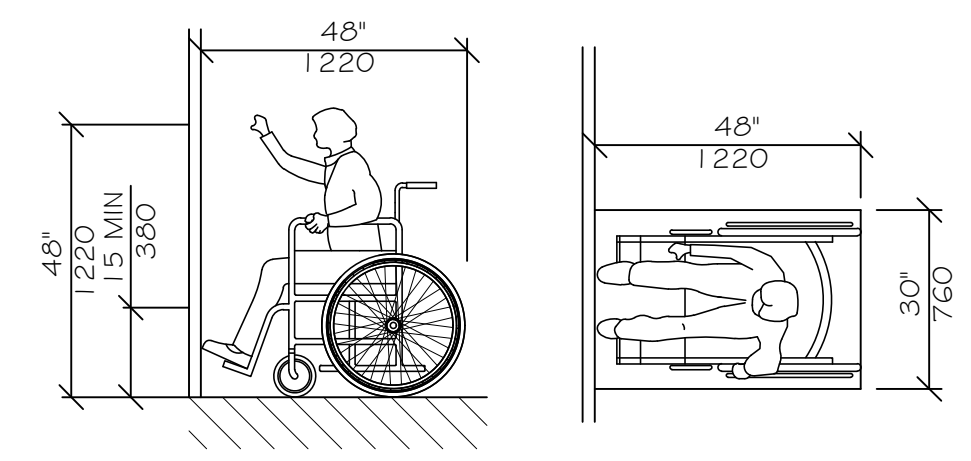
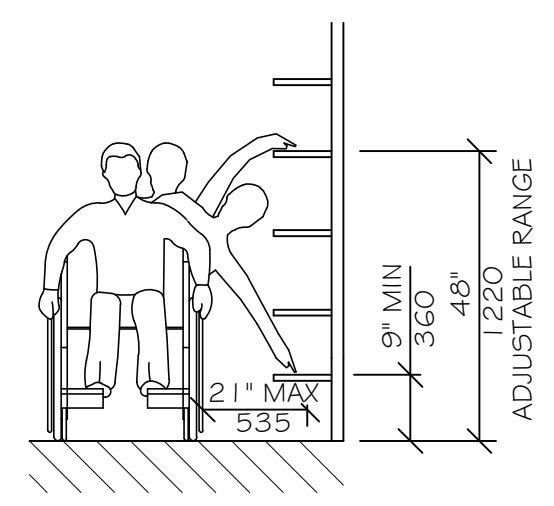


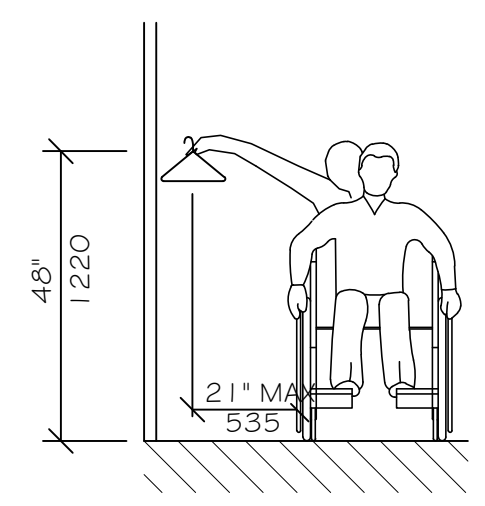
REV/10/17



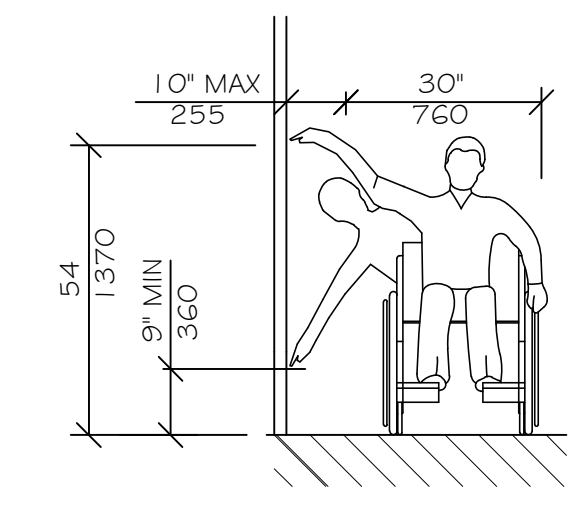
HIGH FORWARD REACH LIMIT
NTS



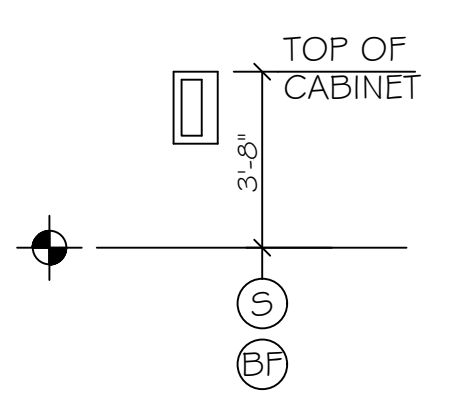
SHELVES
STORAGE SHELVES AND CLOSETS
NTS



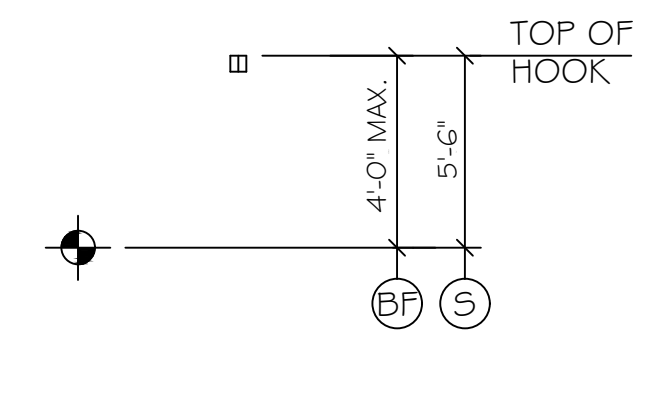
CLEAR FLOOR SPACE
PARALLEL APPROACH
NTS



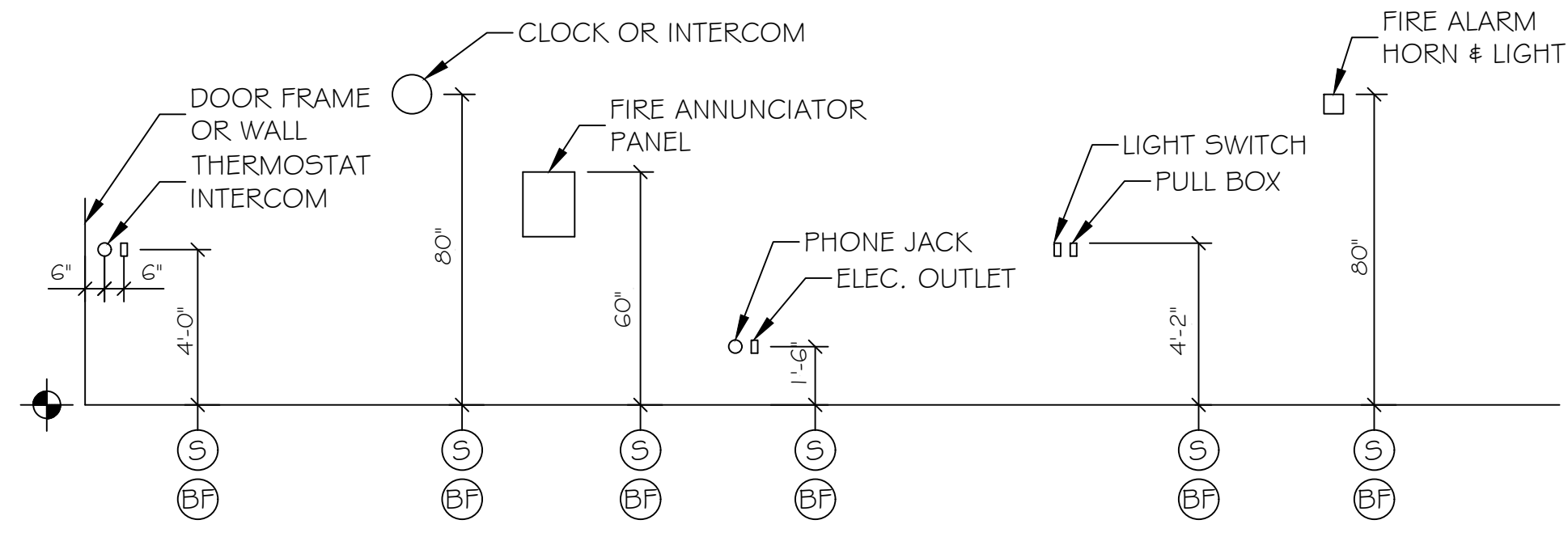
HIGH AND LOW
SIDE REACH LIMITS
NTS



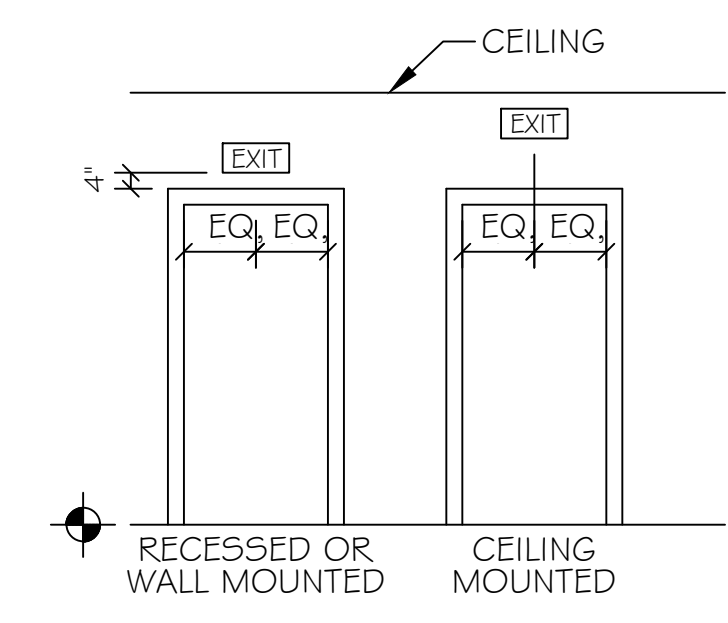
FIRE EXTINGUISHER
CABINET (FEC)
NTS



CLOTHES HOOK
NTS



ELECTRICAL & FIRE PROTECTION DEVICES
TYPICAL UNLESS NOTED OTHERWISE
NTS



EXIT SIGNS
(TYPICAL UNLESS OTHERWISE NOTED)
NTS

ACCESSIBILITY ACCESSORY
MOUNTING HEIGHTS

SHELVES/STORAGE	48" MAX
ELECTRICAL SWITCHES/OUTLETS	48" MAX
COAT HOOKS/RODS	48" MAX
SIGNAGE (TO BRAILLE COMPONENT)	60" MAX



SIGN A



SIGN B



SIGN C



SIGN D

LEGEND

- (S) STANDARD MOUNTING HEIGHT
- (BF) BARRIER FREE ADULT MOUNTING HEIGHT
- ⊕ FINISH FLOOR LINE

NOTE

MOUNT ALL FIXTURES AT STANDARD MOUNTING HEIGHT UNLESS INDICATED ON PLAN BY A ♿ SYMBOL. A ♿ SYMBOL AT ANY ROOM SHALL INCLUDE ONE OF ANY FIXTURE AND ACCESSORY WITHIN THE ROOM.

ACCESSIBILITY GENERAL NOTES

1. DOORWAYS SHALL HAVE A MINIMUM CLEAR WIDTH OF 32" WITH THE DOOR OPEN 90 DEGREES. MEASURED BETWEEN THE FACE OF THE DOOR AND THE OPPOSITE STOP.
2. ALL DOORS SHALL HAVE LEVER HANDLE HARDWARE, EXCEPT AT SECURED STORAGE ROOMS, MECHANICAL ROOMS, AND ELEVATOR MACHINE ROOMS.
3. ALL CLOSERS SHALL BE 5LB PULL MAXIMUM AT DOORS EQUIPPED WITH LEVER HANDLE HARDWARE.
4. ALL DOORS WITH CLOSERS SHALL HAVE 18" CLEAR DISTANCE FROM THE LATCHSIDE OF THE OPENING TO ANY ADJACENT WALL OR OBSTRUCTION ON THE PULL SIDE OF THE OPENING.
5. ALL DOORS WITH CLOSERS SHALL HAVE 12" CLEAR DISTANCE FROM THE LATCHSIDE OF THE OPENING TO ANY ADJACENT WALL OR OBSTRUCTION ON THE PUSH SIDE OF THE OPENING.
6. ALL SIGNAGE SHALL BE MOUNTED 60" AFF TO BRAILLE COMPONENT AT LATCH-SIDE WALL OF DOORS AND OPENINGS.
7. COMPLY WITH 2010 EDITION OF THE AMERICANS WITH DISABILITIES ACT.

DRAWING NAME
2018 PACKAGING ADDITION
ALLAGASH
BREWING COMPANY
50 INDUSTRIAL WAY
PORTLAND, MAINE 04103
PROJECT# 18-005

ACCESSIBILITY
DETAILS
& NOTES

DATE
4 APR 2018
SCALE
NO SCALE
DRAWN
MFF/mgk
JOB NO.
180112

SHEET
A-11

COPYRIGHT
REPRODUCTION OR REV. OF THIS
DOCUMENT WITHOUT WRITTEN
PERMISSION FROM GRANT HAYS
ASSOCIATES IS PROHIBITED.