

REV/10/17

DRAWING NAME

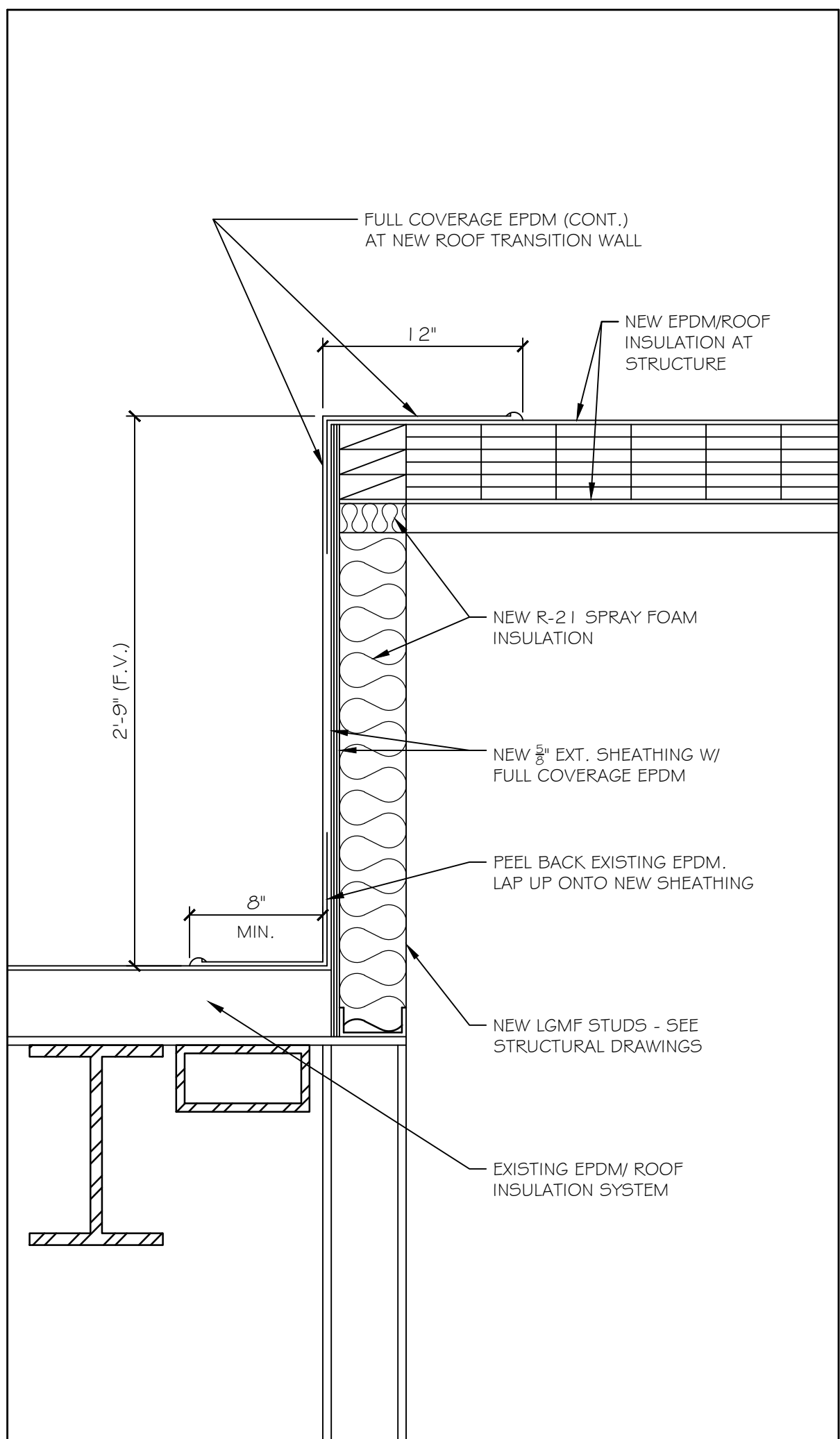
2018 PACKAGING ADDITION
ALLAGASH
BREWING COMPANY
50 INDUSTRIAL WAY
PORTLAND, MAINE 04103
PROJECT# 18-005

1/HEET

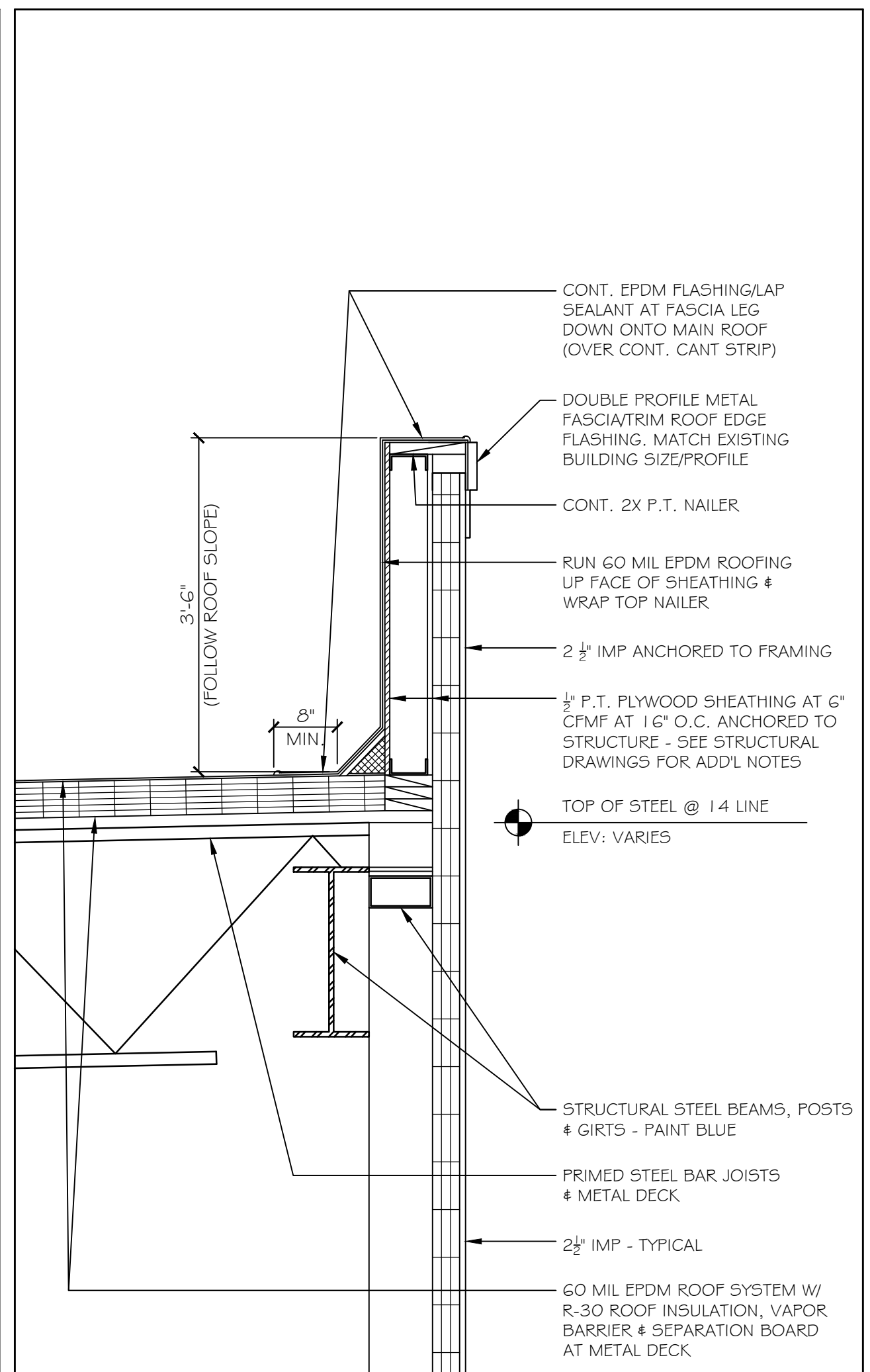
DETAILS

DATE: 4 APR 2018
SCALE: AS NOTED
DRAWN: MFH/mgk
JOB NO.: 180112

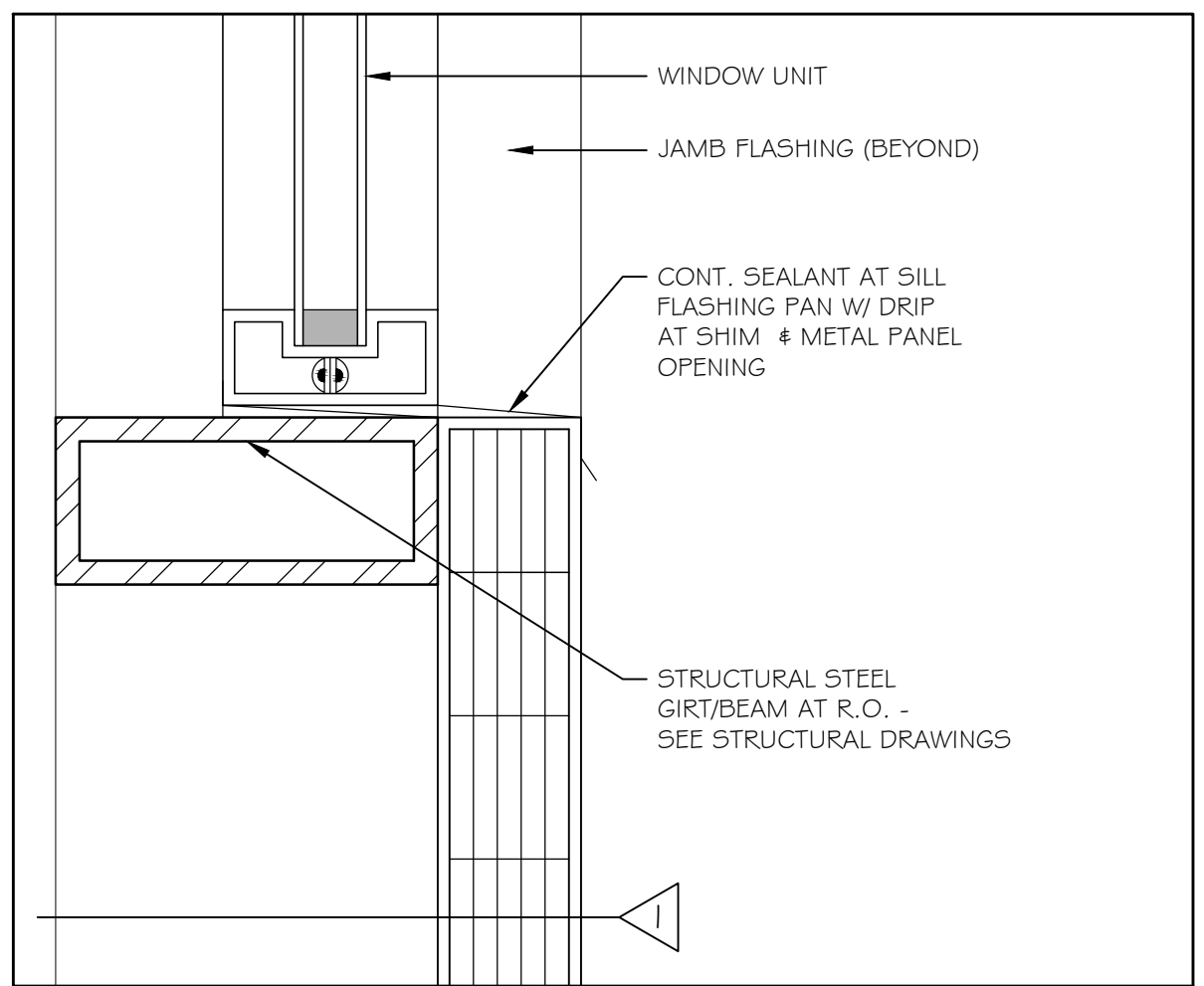
1/HEET
A-10
COPYRIGHT
REPRODUCTION OR REV. OF THIS
DOCUMENT WITHOUT WRITTEN
PERMISSION FROM GRANT HAYS
ASSOCIATES IS PROHIBITED.



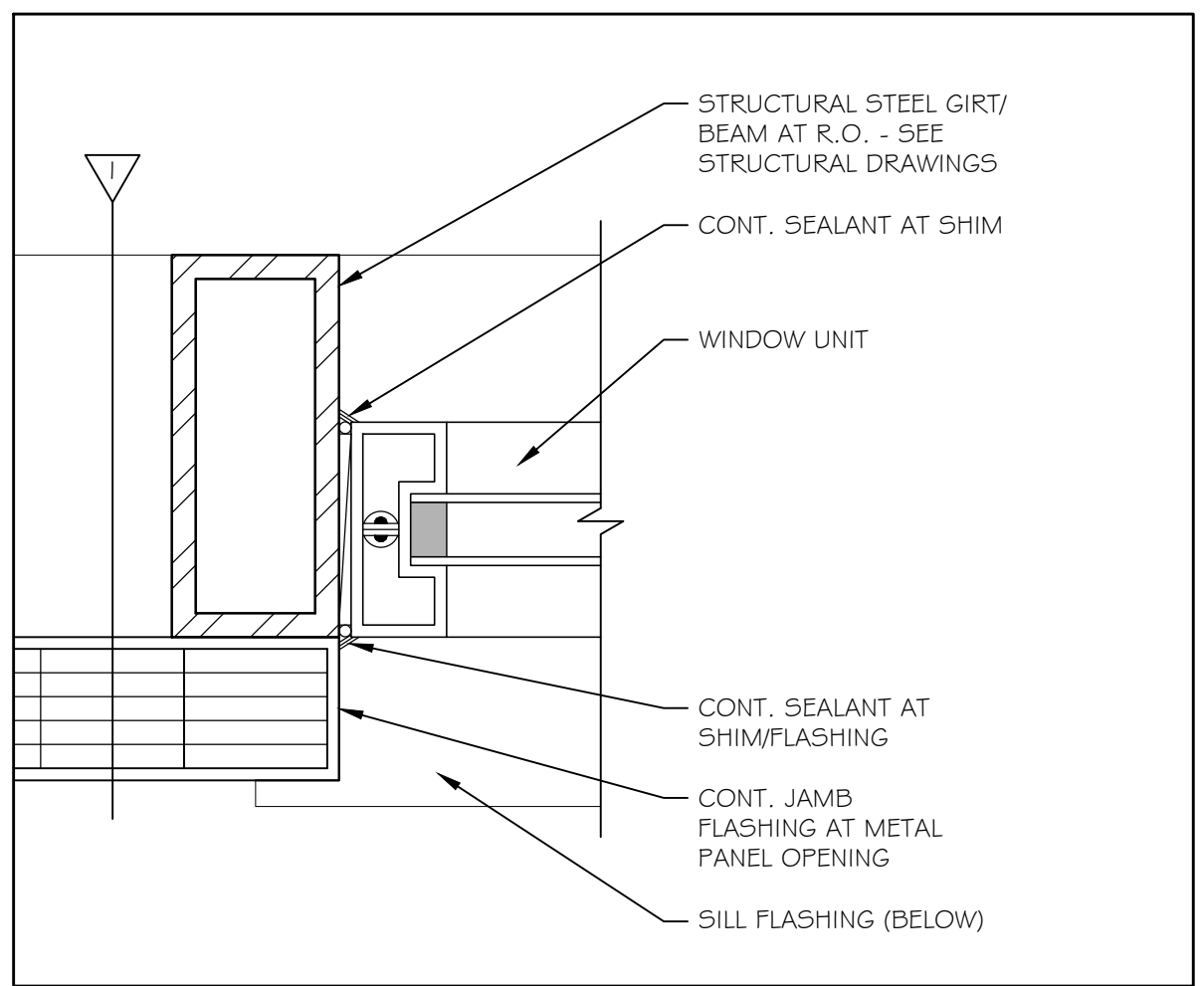
1 ROOF TRANSITION DETAIL 1 1/2" = 1'-0"



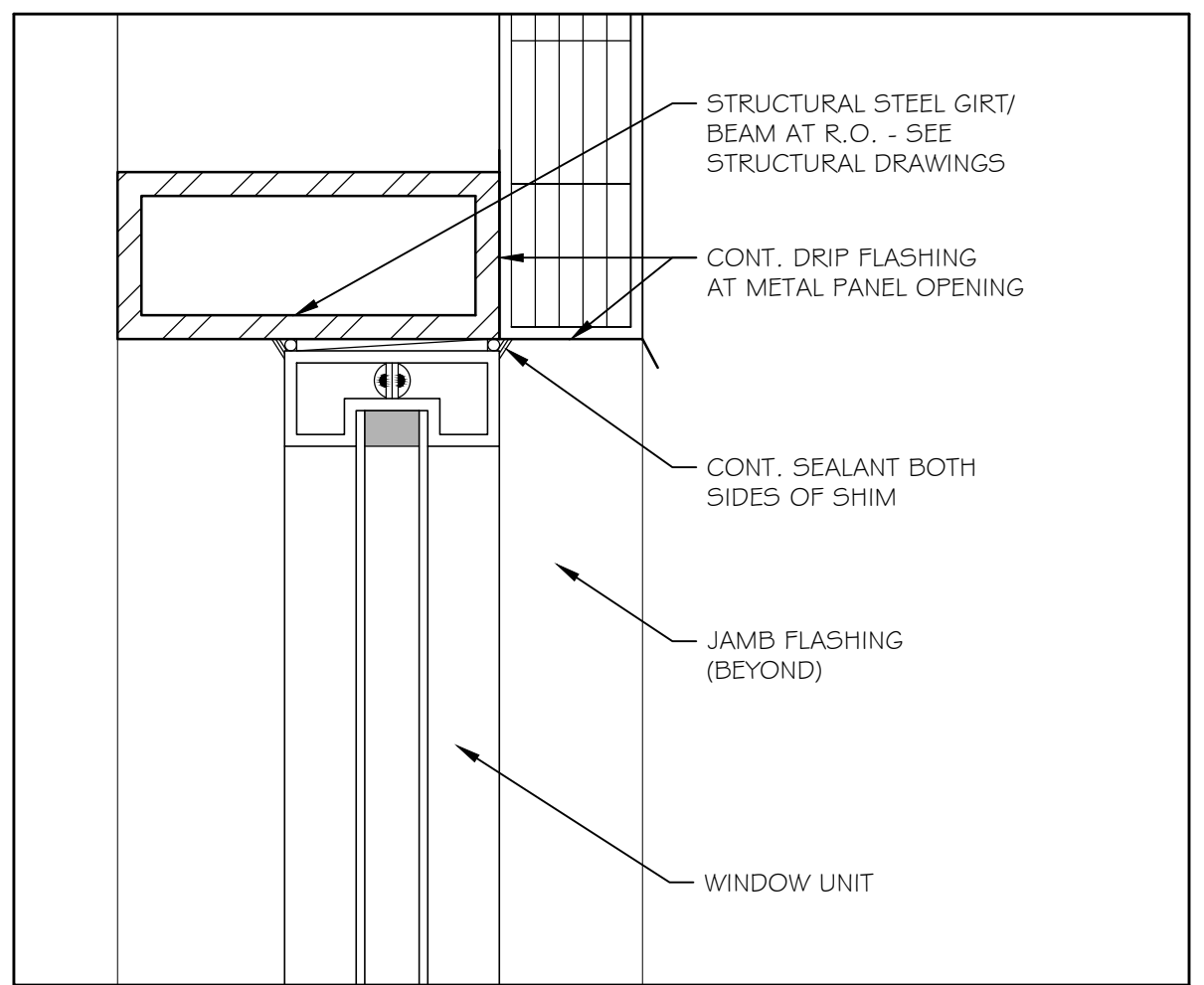
2 PARAPET DETAIL 3/4" = 1'-0"



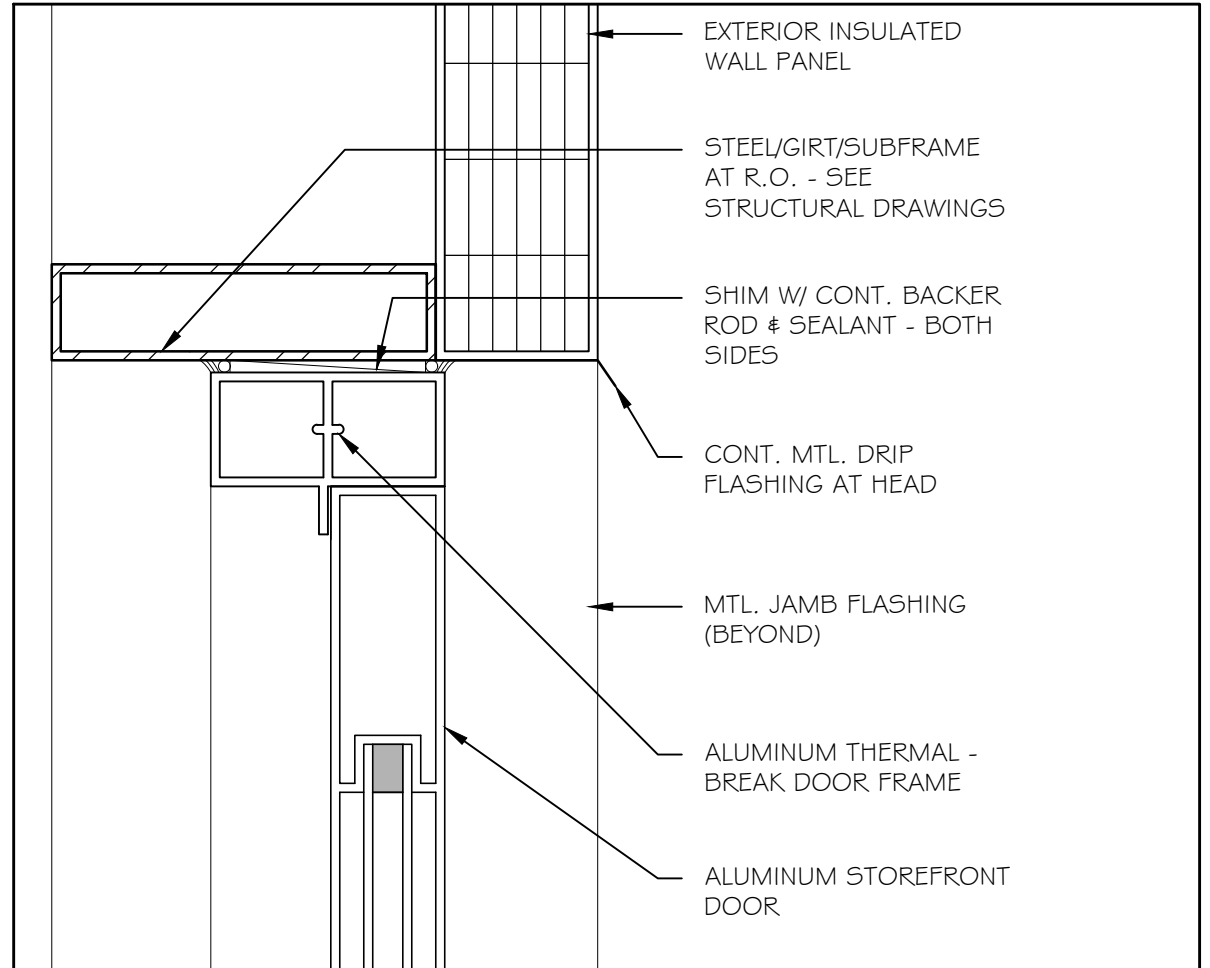
3 EXT. WINDOW SILL DETAIL 3" = 1'-0"



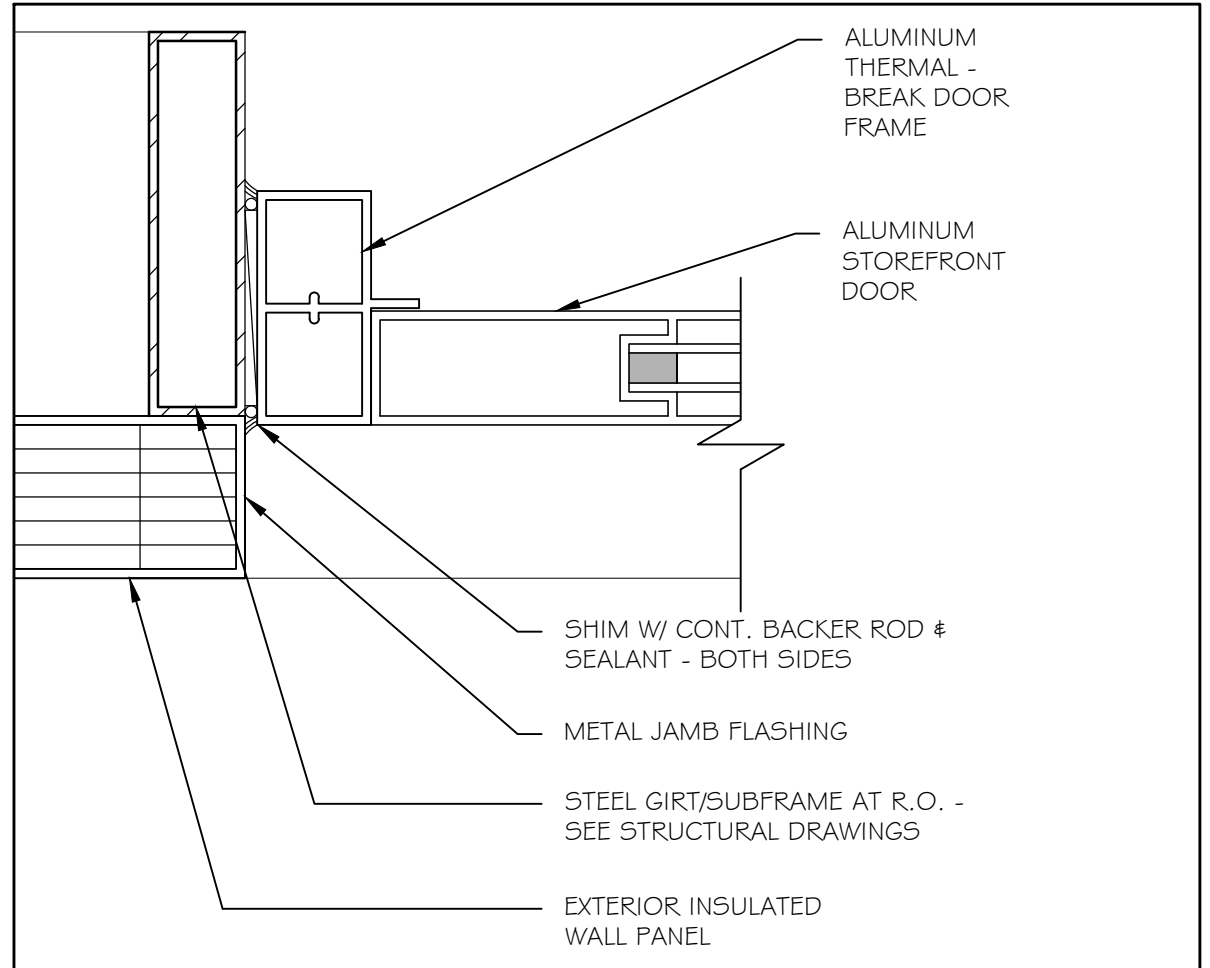
4 EXT. WINDOW JAMB DETAIL 3" = 1'-0"



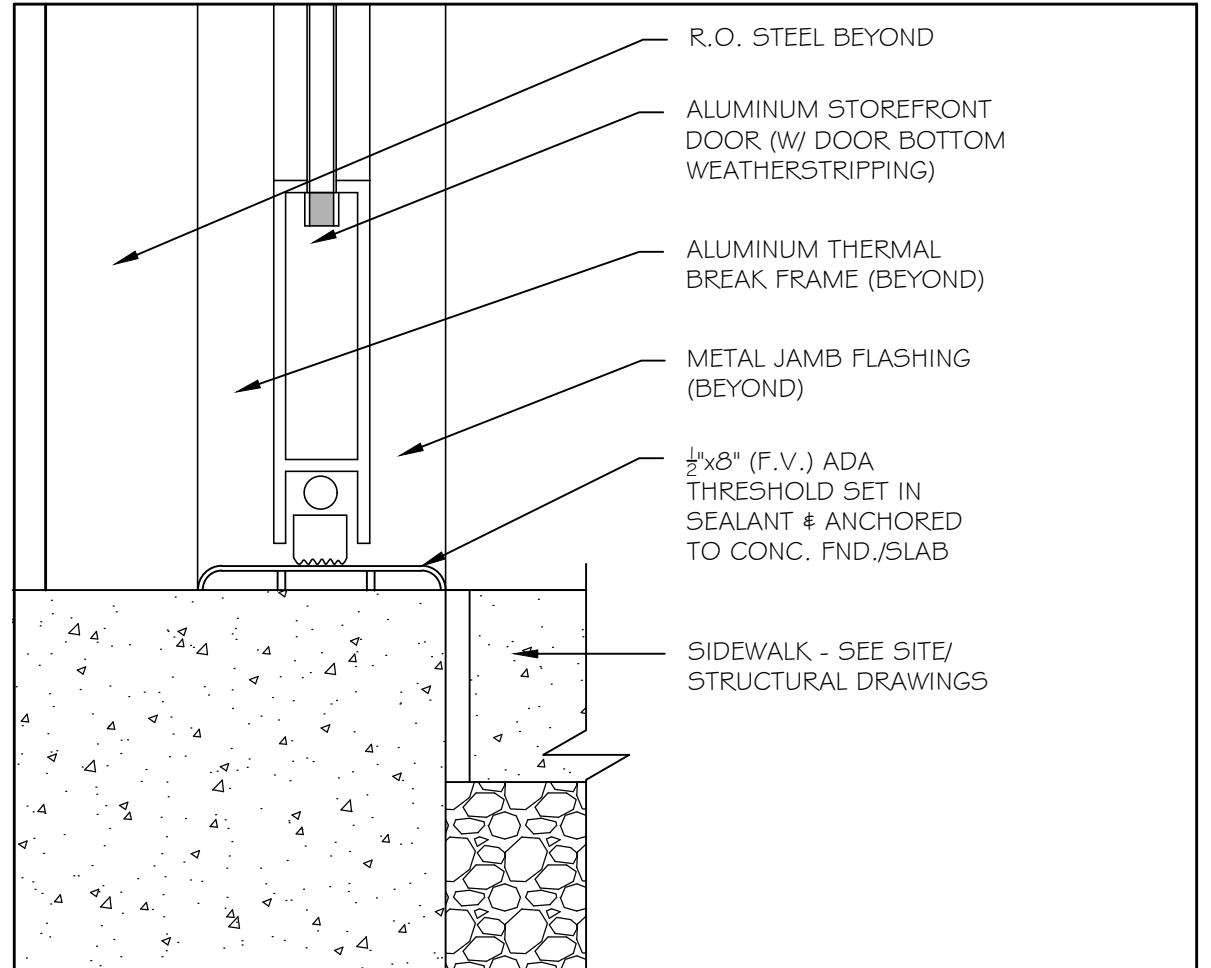
5 EXT. WINDOW HEAD DETAIL 3" = 1'-0"



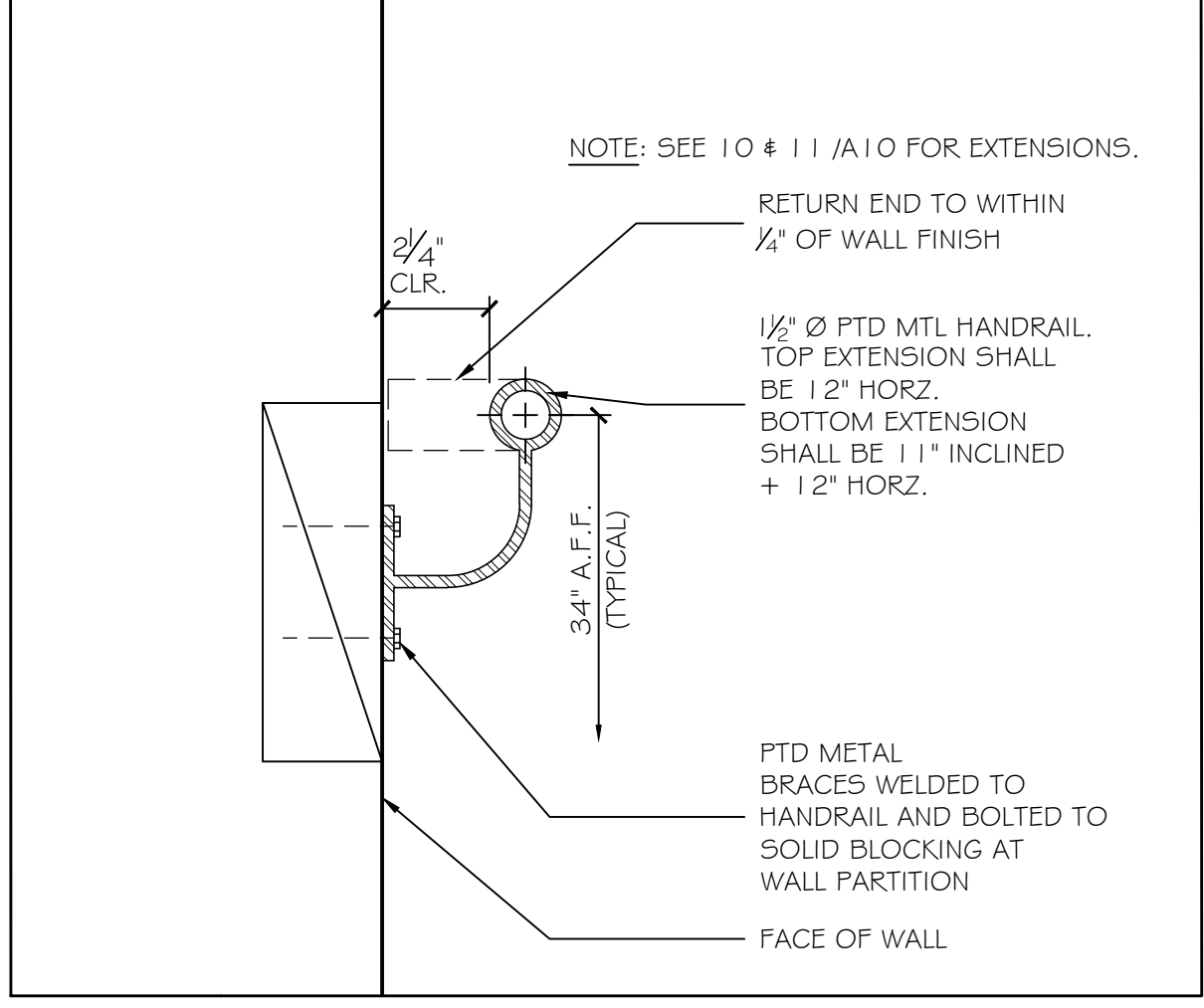
6 TYPICAL EXT. DOOR HEAD DETAIL 3" = 1'-0"



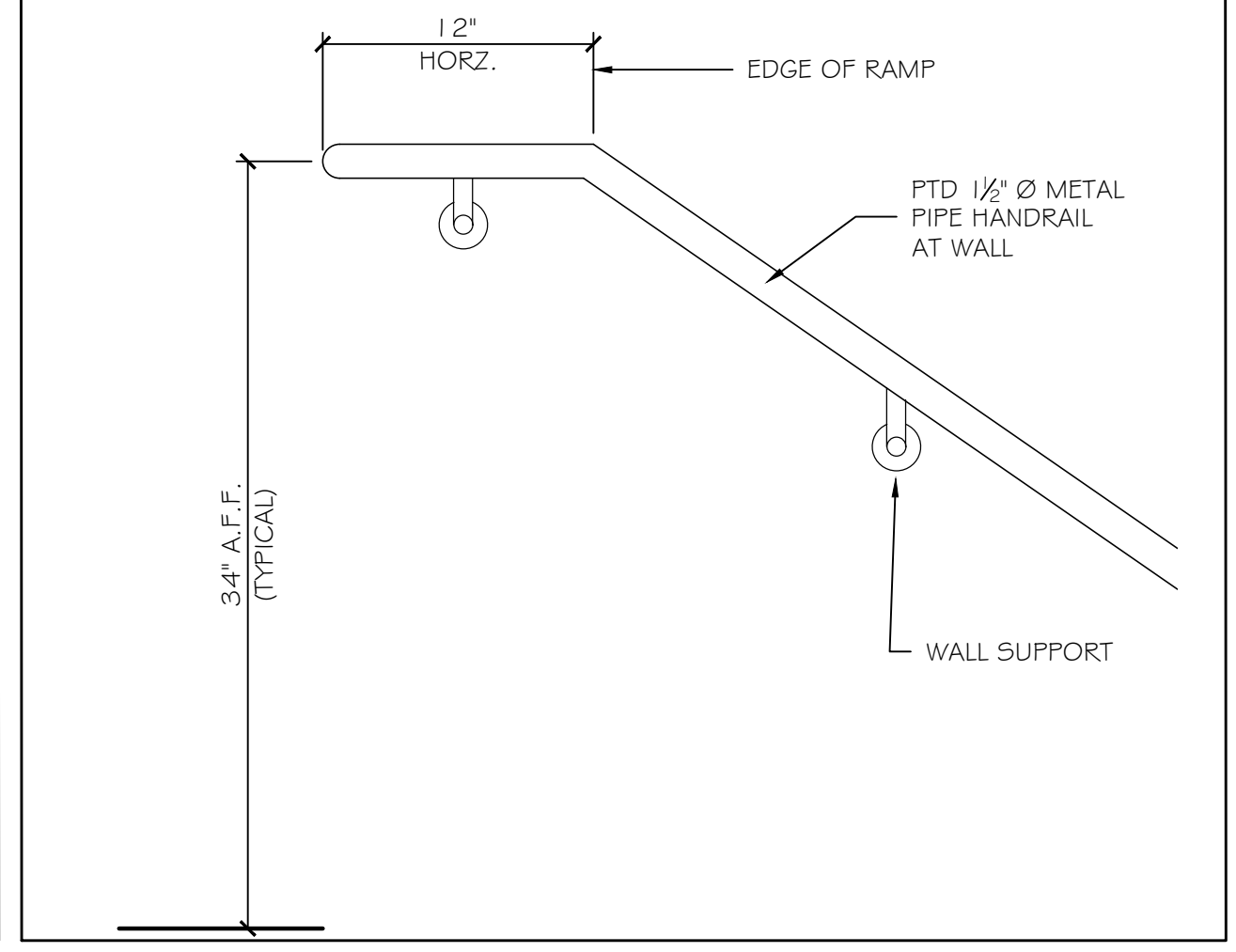
7 TYPICAL EXT. DOOR JAMB DETAIL 3" = 1'-0"



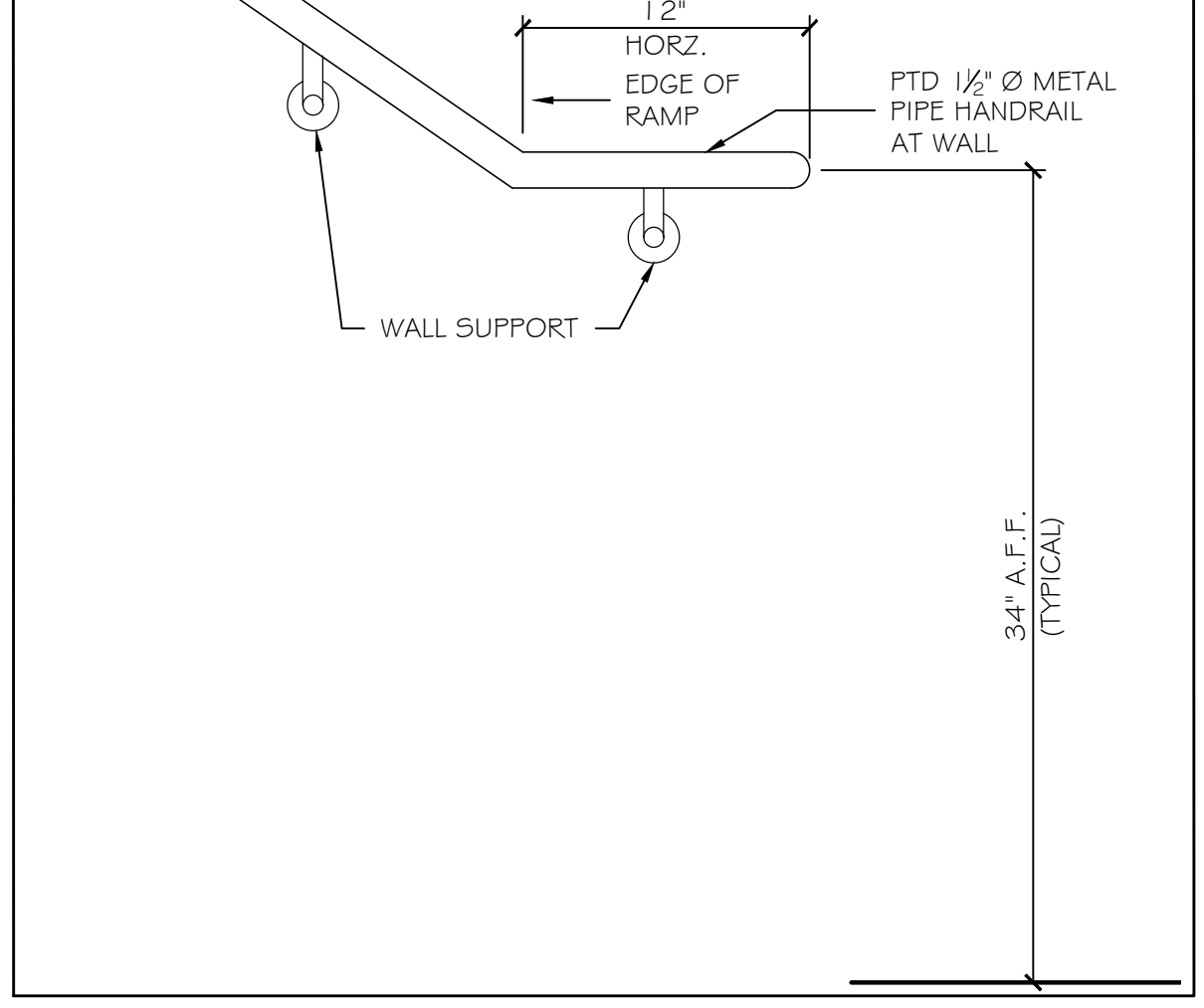
8 TYPICAL EXT. DOOR SILL DETAIL 3" = 1'-0"



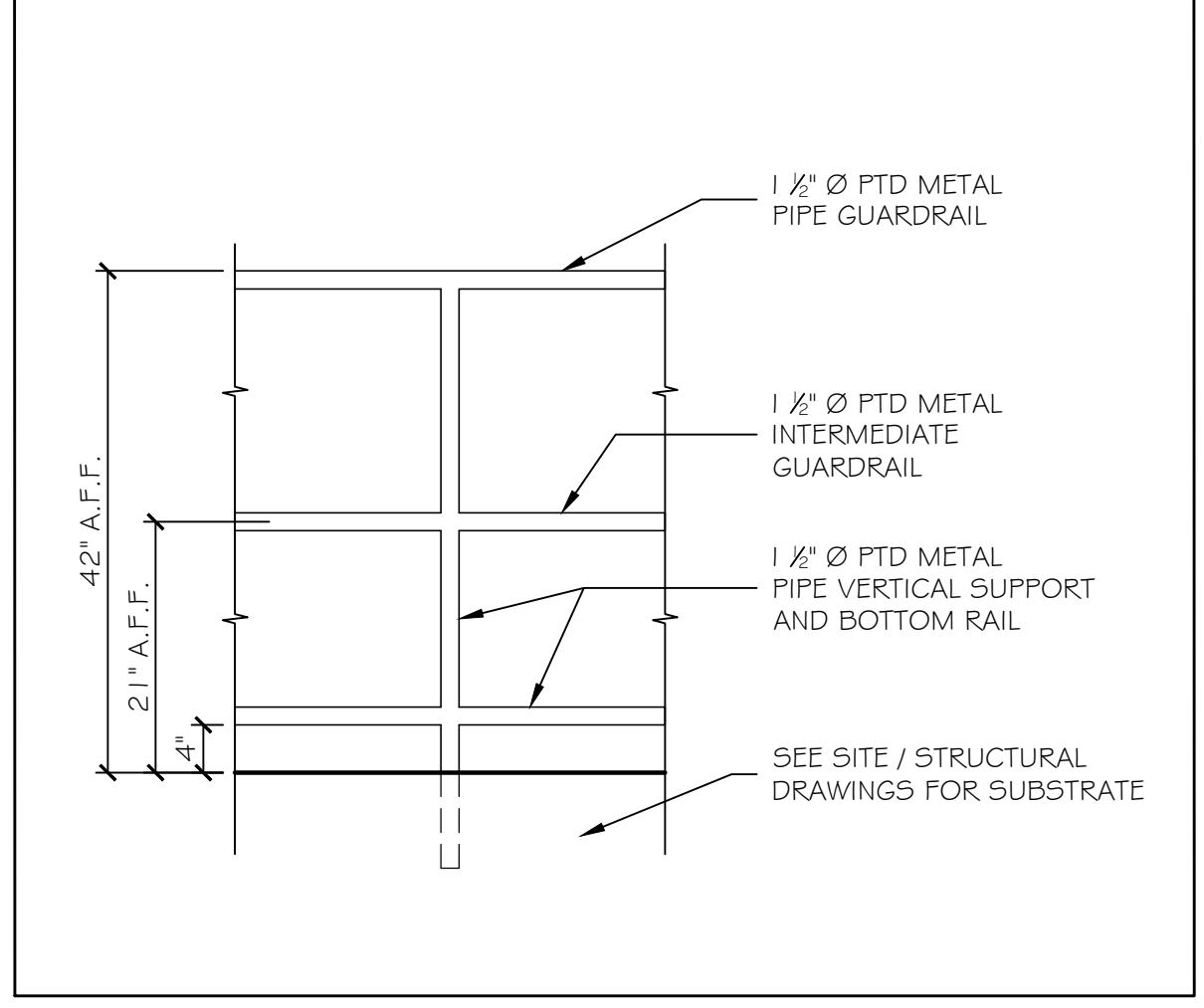
9 TYPICAL HANDRAIL SECTION 3" = 1'-0"



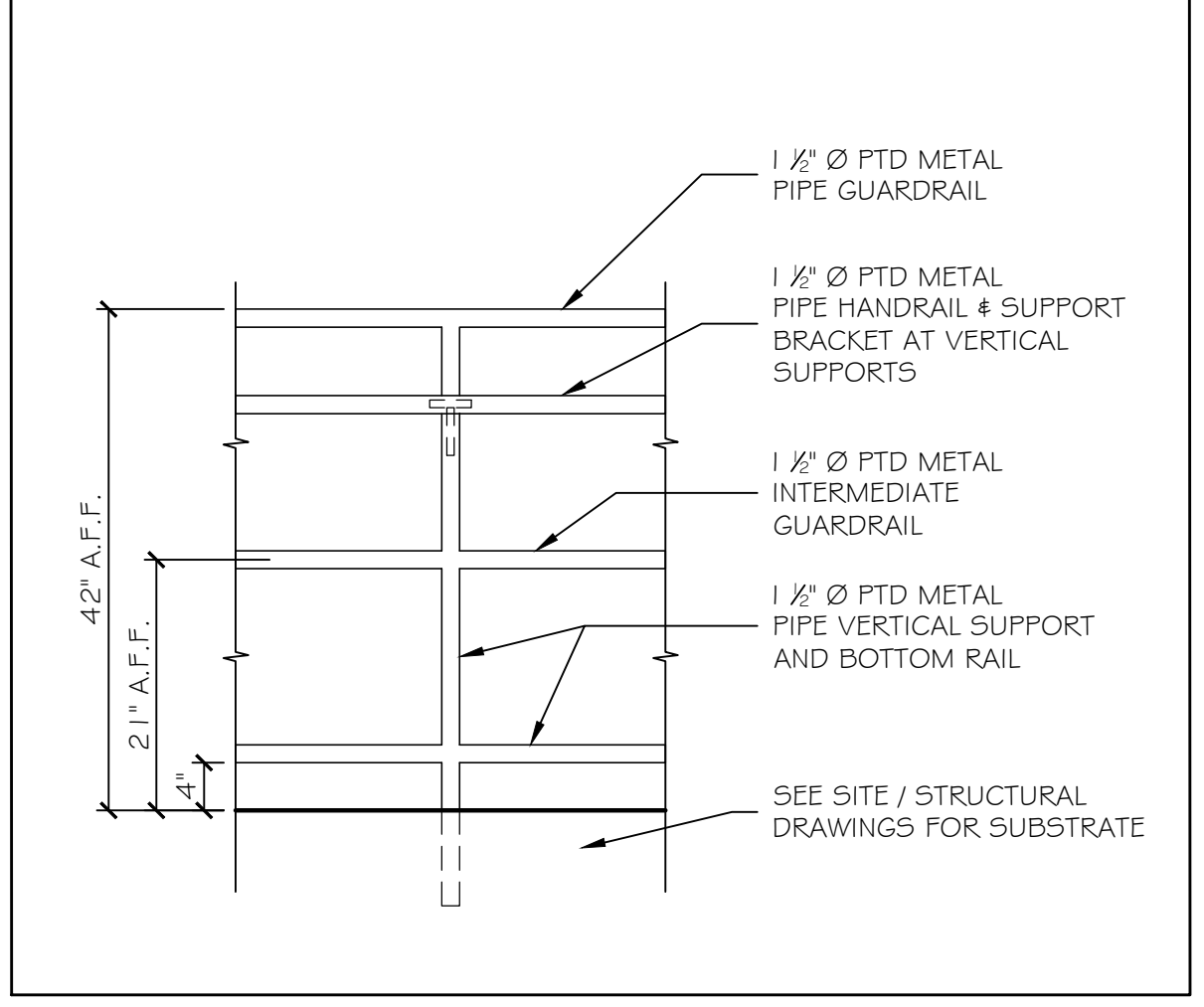
10 TYPICAL WALL HANDRAIL AT RAMP 1 1/2" = 1'-0"



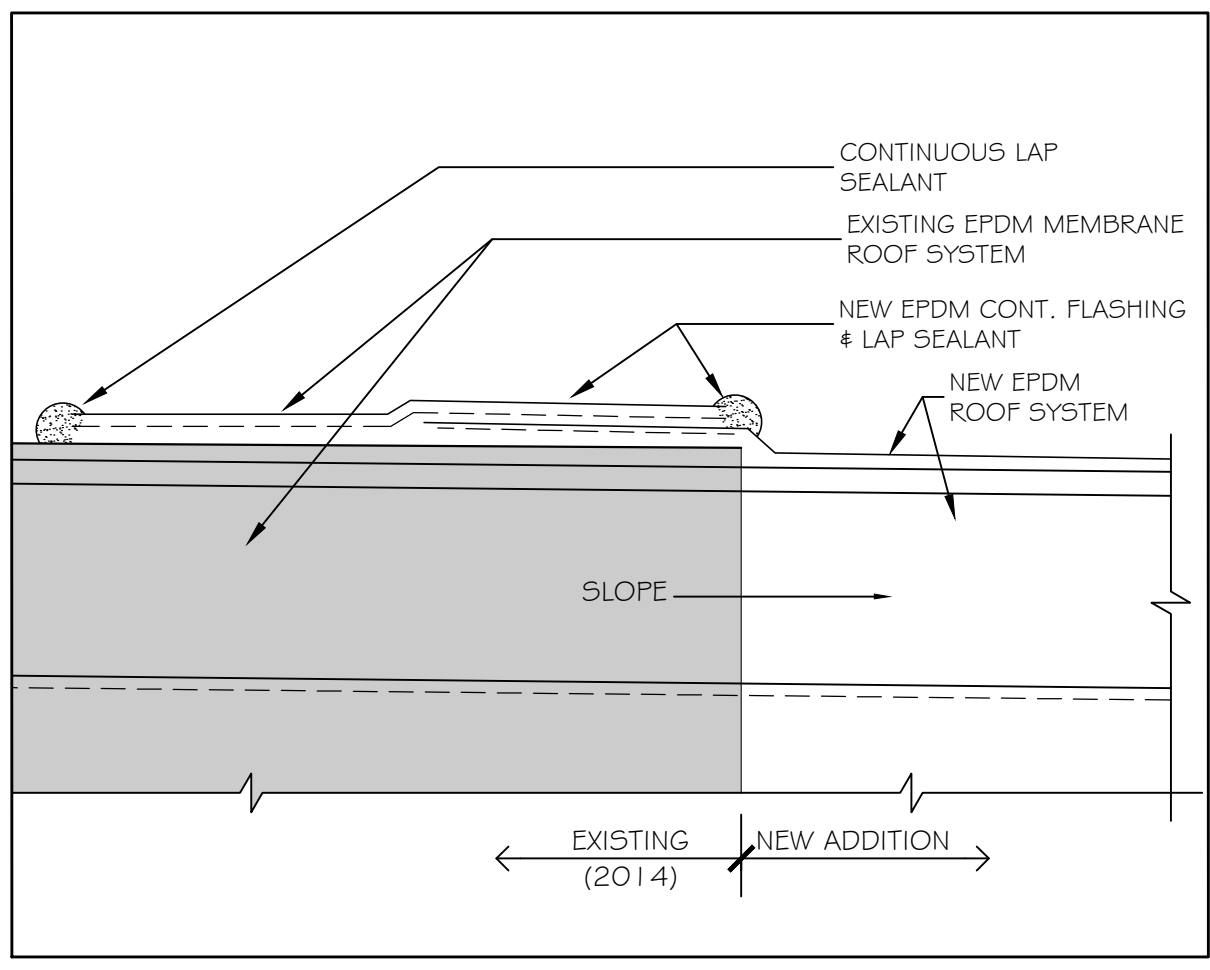
11 TYPICAL WALL HANDRAIL AT RAMP 1 1/2" = 1'-0"



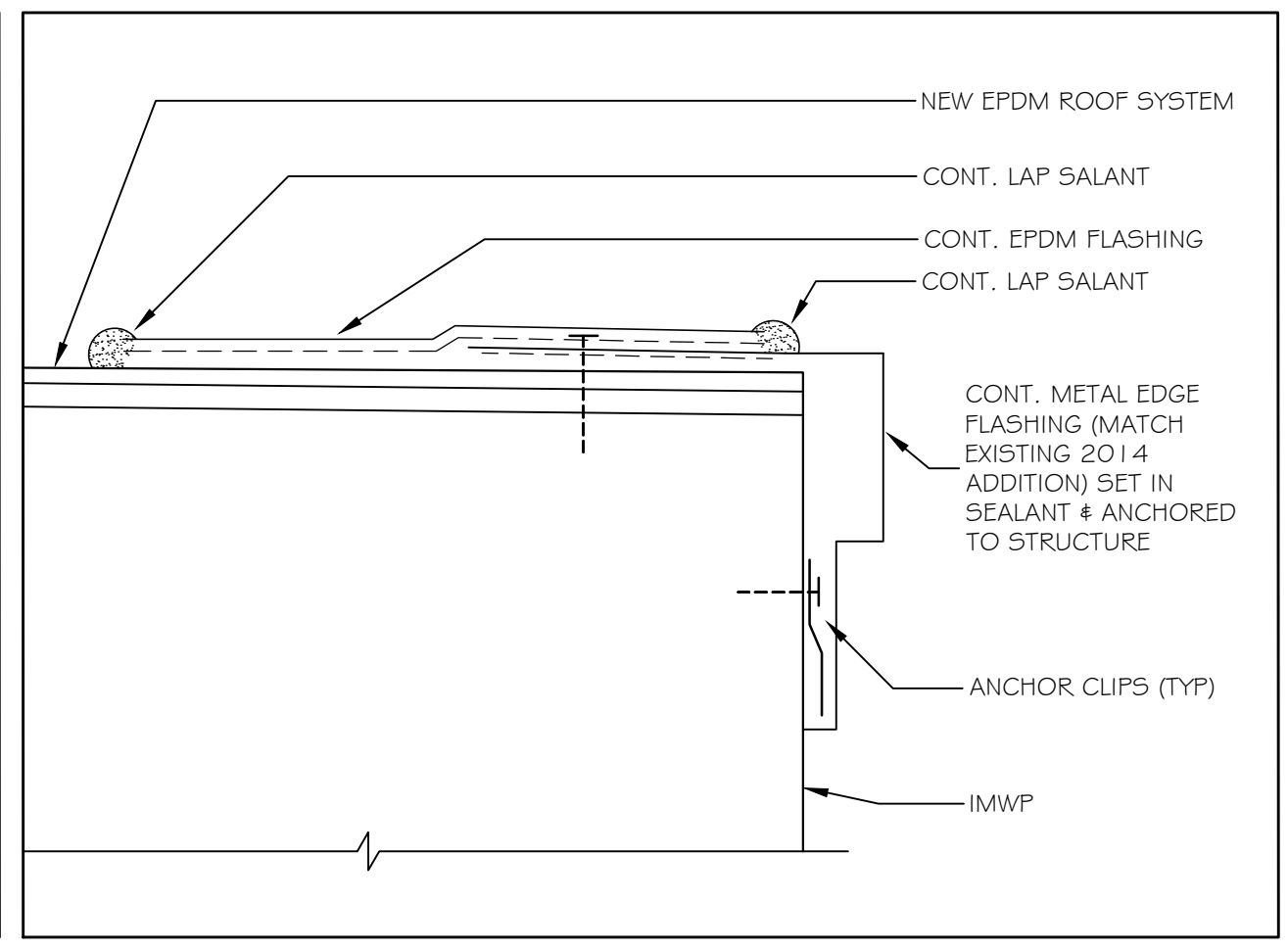
12 TYPICAL GUARDRAIL (OSHA) 3/4" = 1'-0"



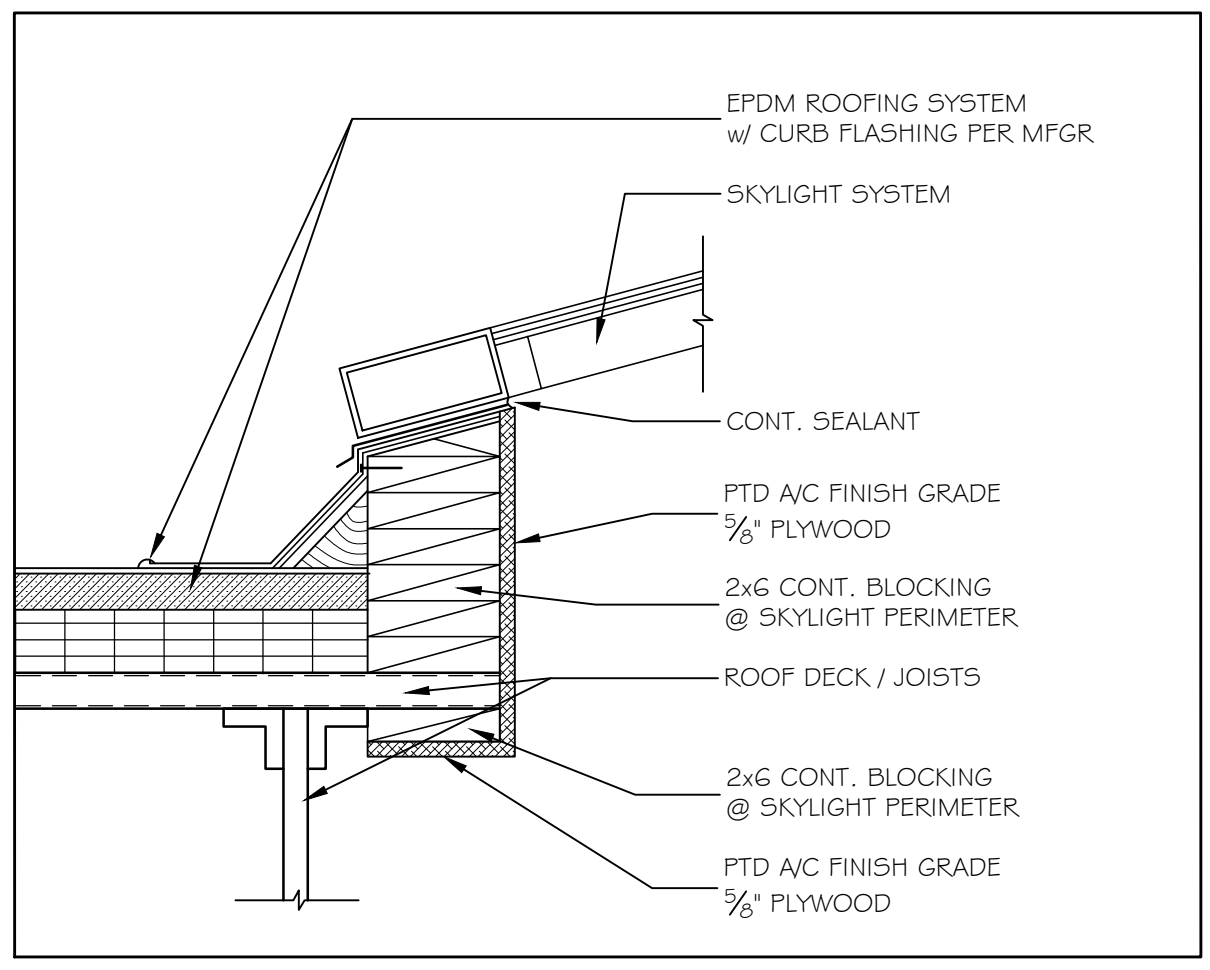
13 TYPICAL GUARDRAIL / HANDRAIL (OSHA) 3/4" = 1'-0"



14 EPDM TRANSITION DETAIL 6" = 1'-0"



15 ROOF EDGE DETAIL 3" = 1'-0"



16 SKYLIGHT SOFFIT DETAIL 1 1/2" = 1'-0"