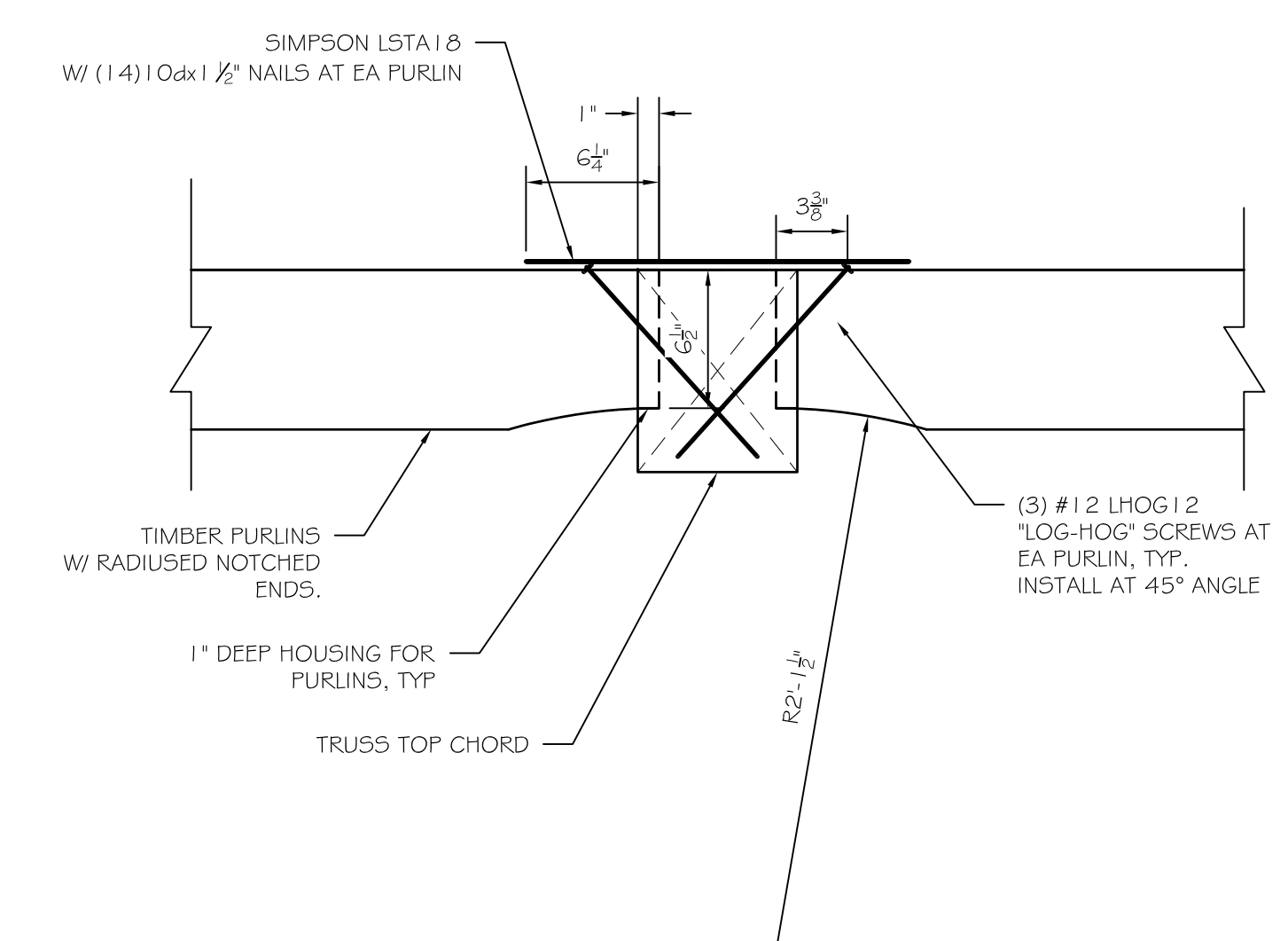
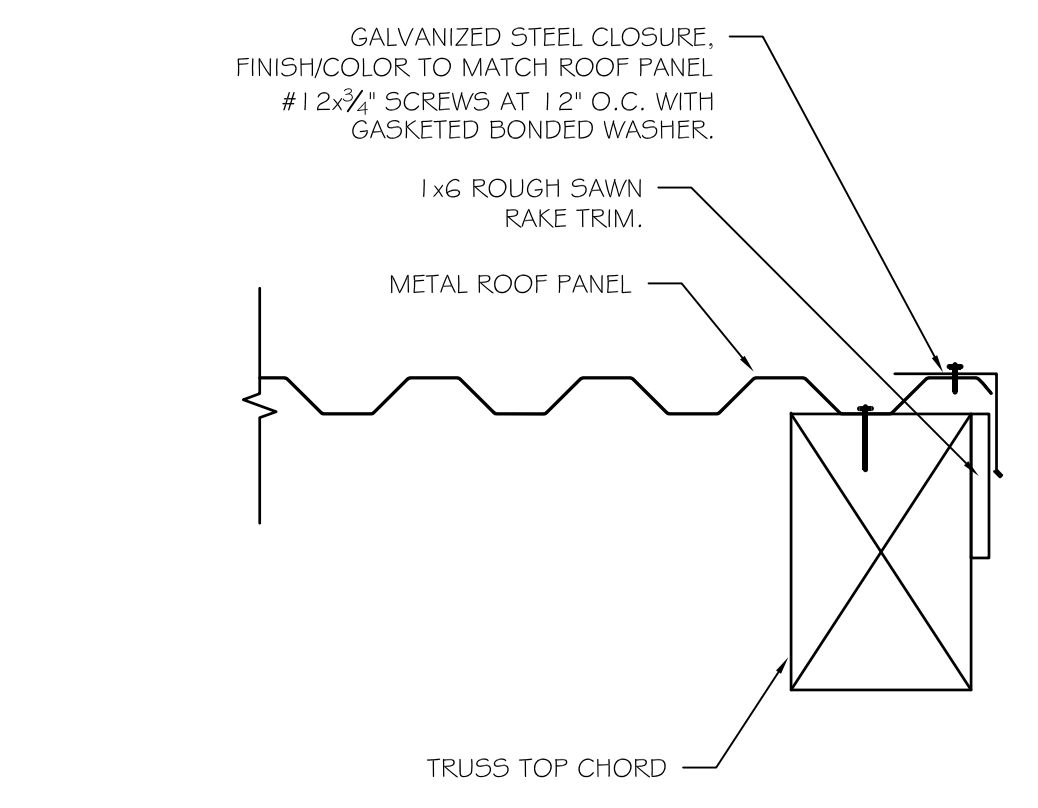


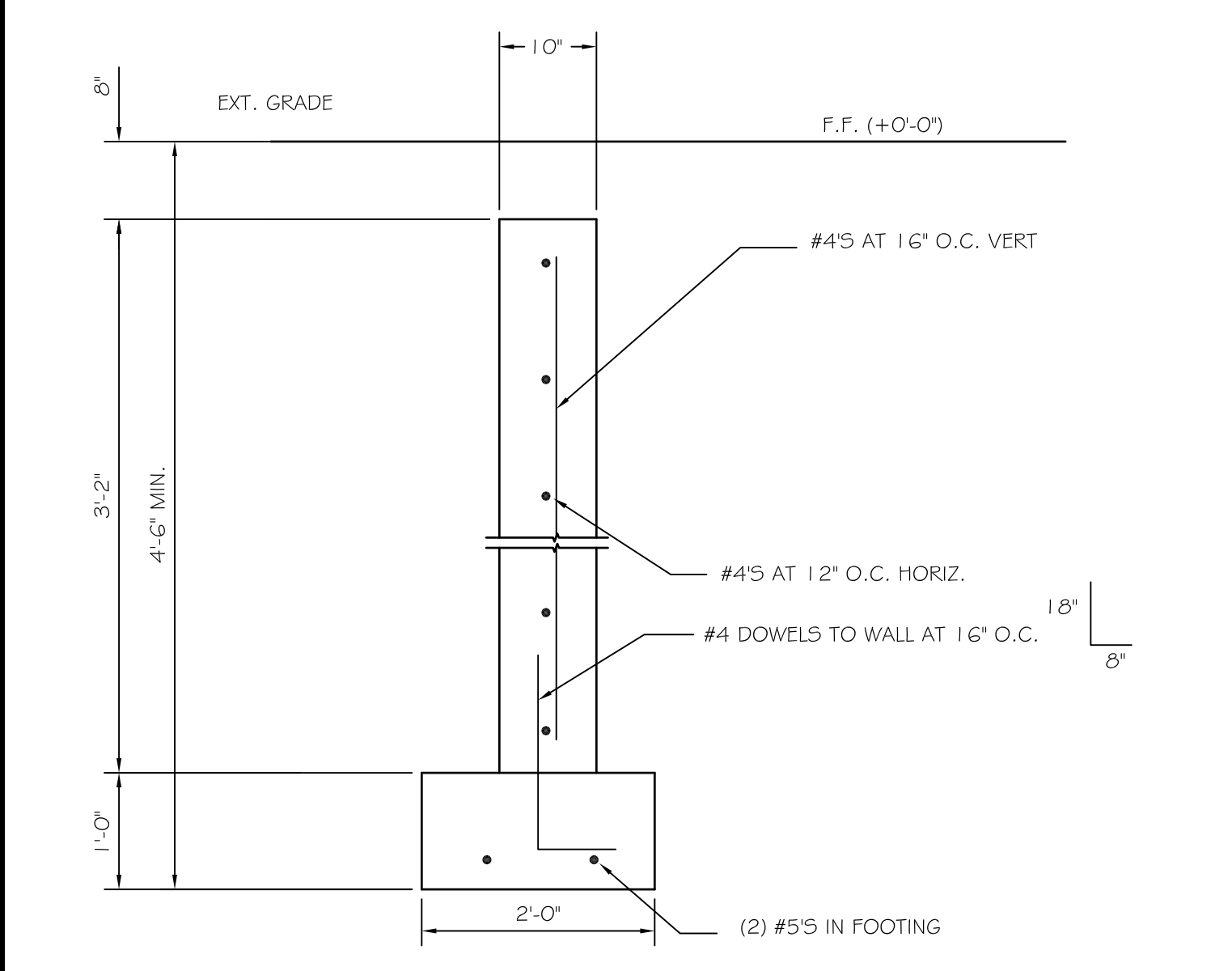
C3 NEW FOUNDATION WALL TO EXISTING  
SCALE: 3/4" = 1'-0"



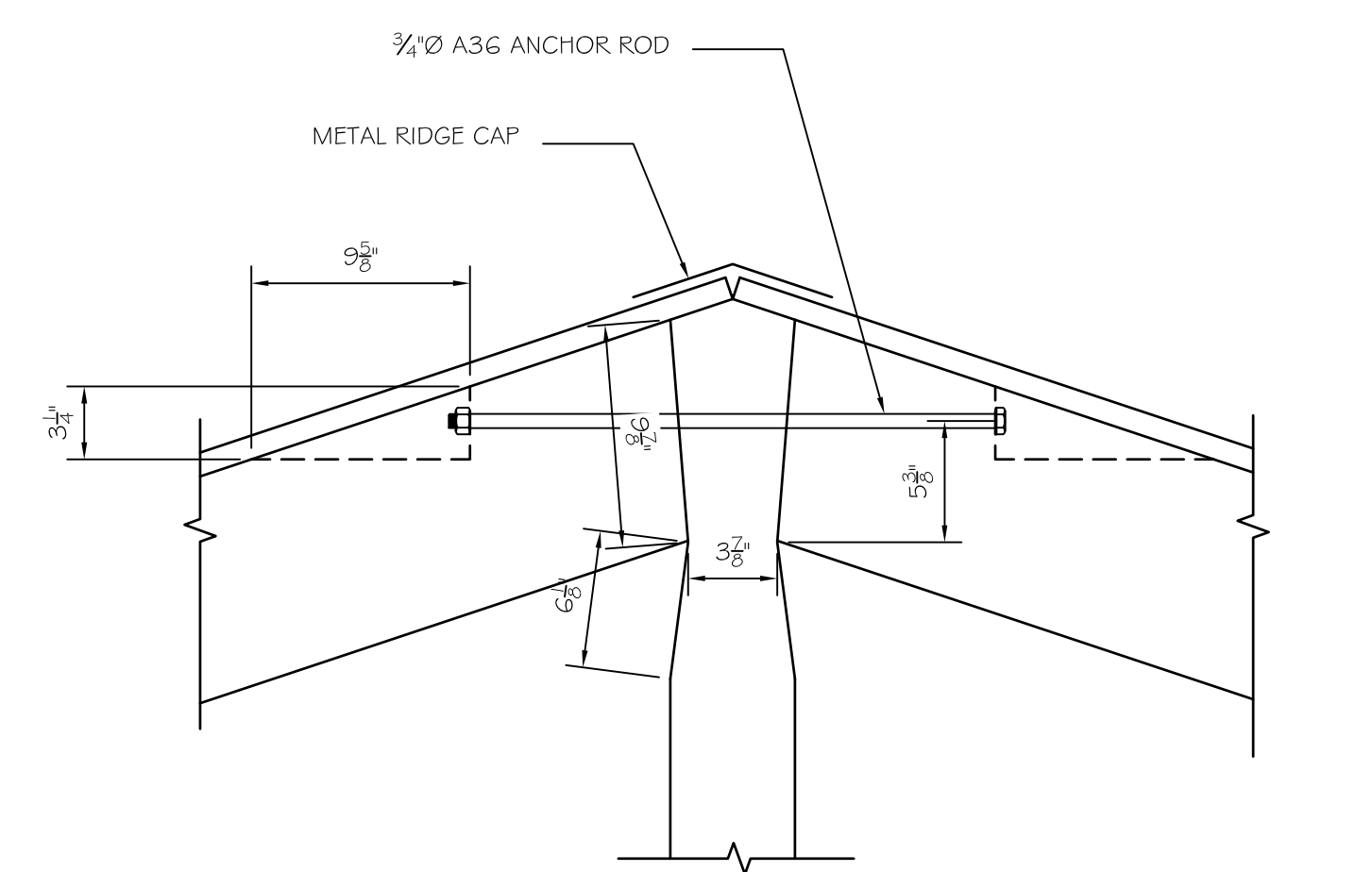
C2 TIMBER PURLIN CONNECTION  
SCALE: 1 1/2" = 1'-0"



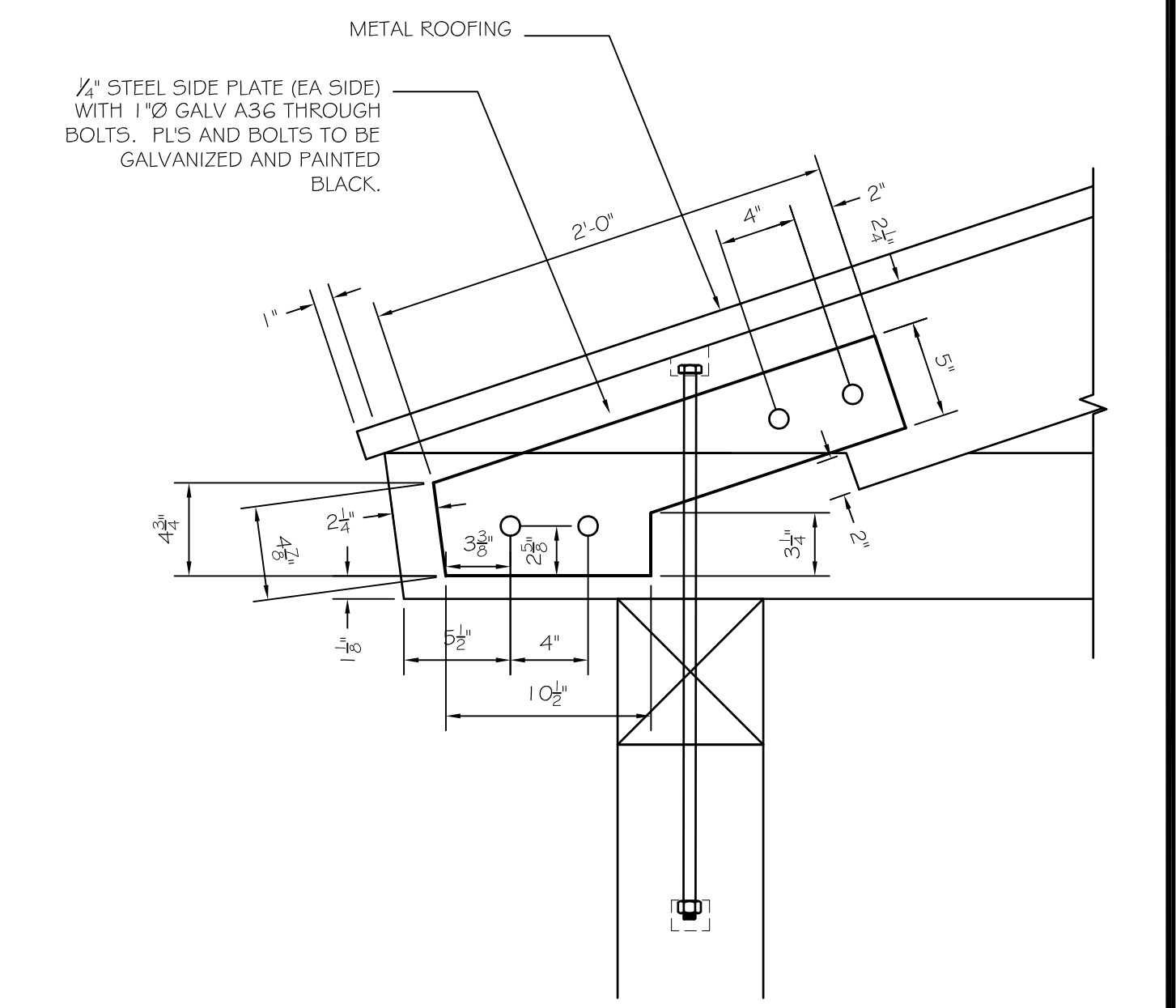
C1 GABLE END RAKE DETAIL AT TIMBER TRUSSES  
SCALE: 1 1/2" = 1'-0"



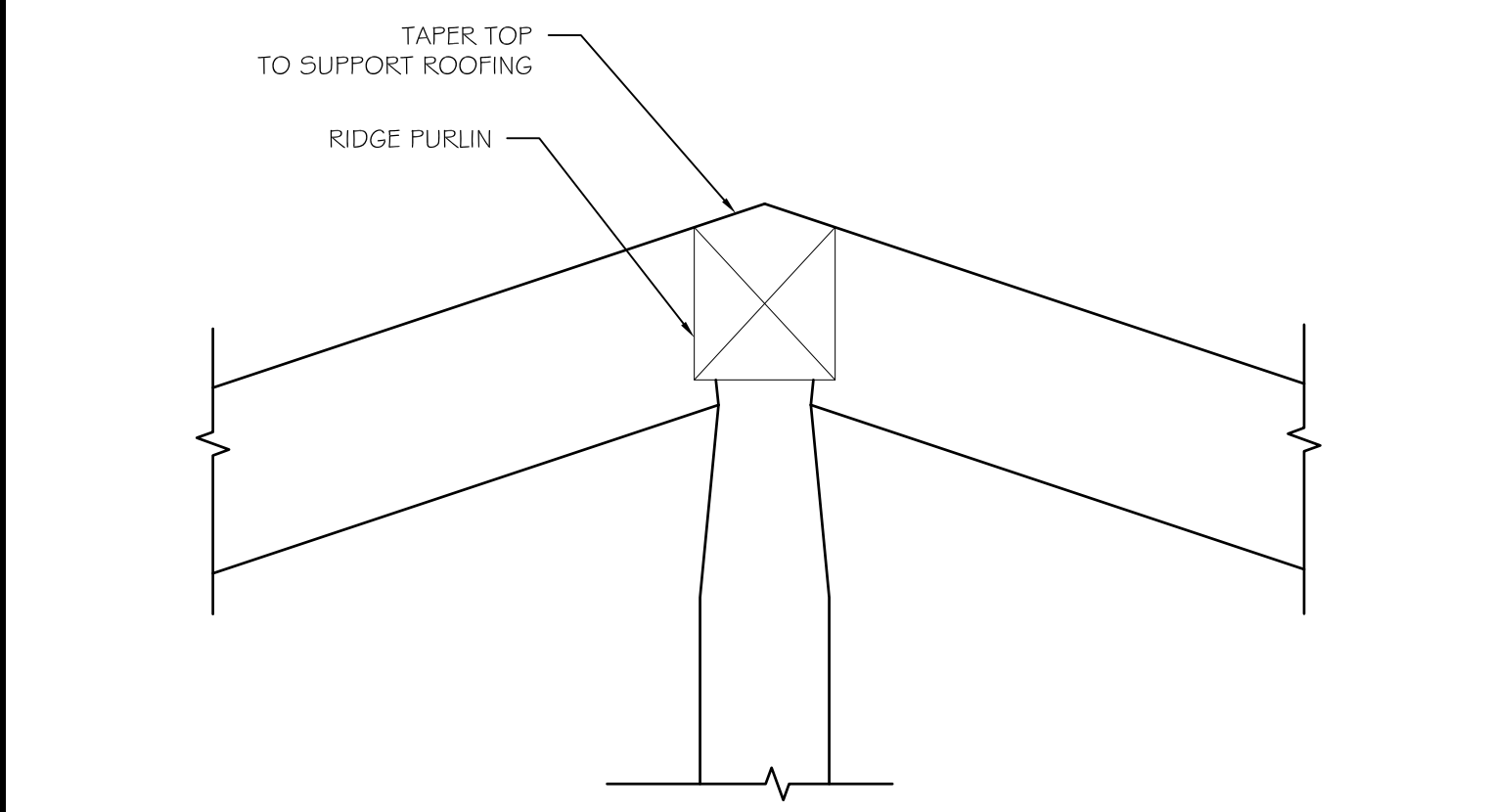
B3 FOUNDATION WALL DETAIL  
SCALE: 3/4" = 1'-0"



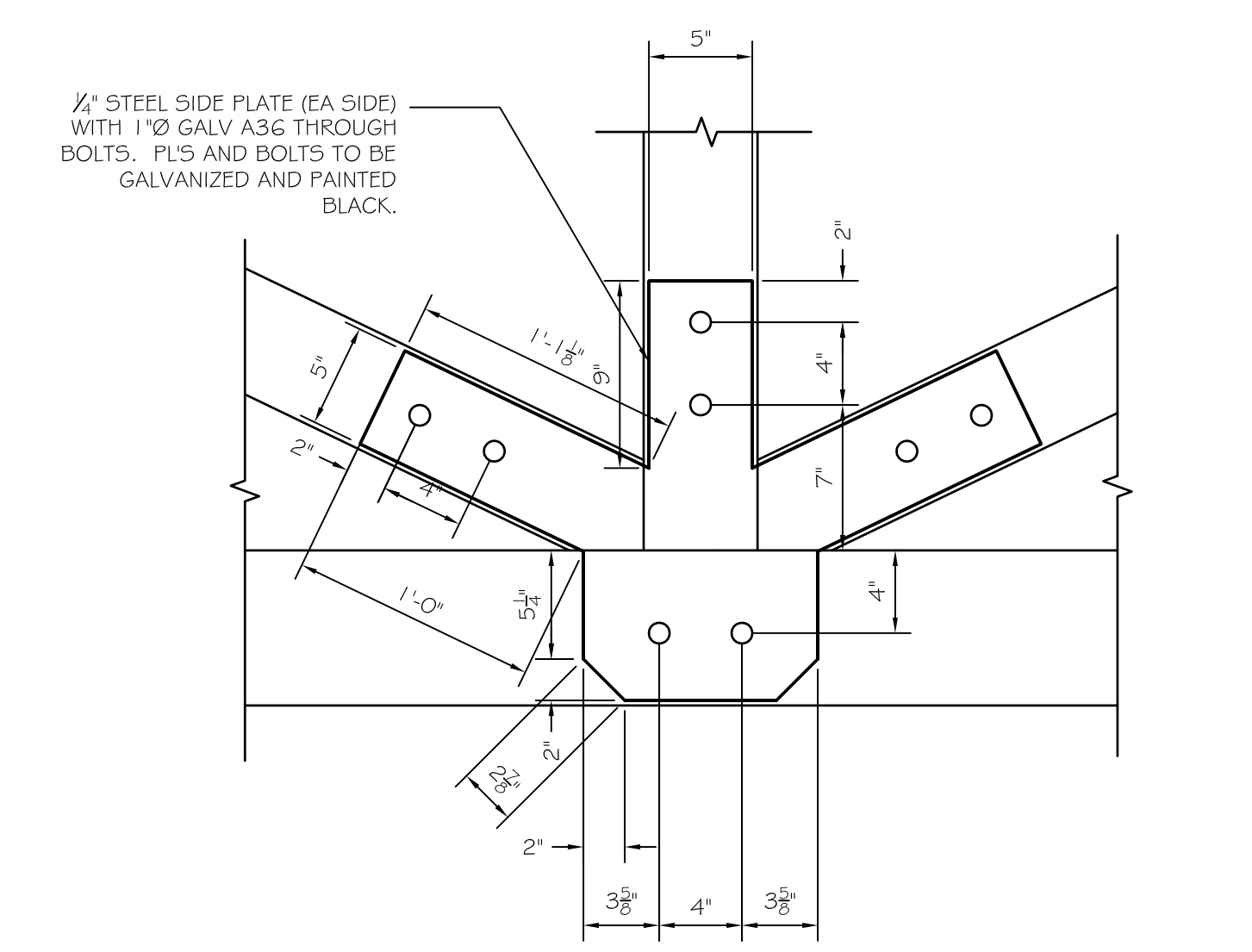
B2 RIDGE DETAIL AT TIMBER TRUSSES  
SCALE: 1 1/2" = 1'-0"



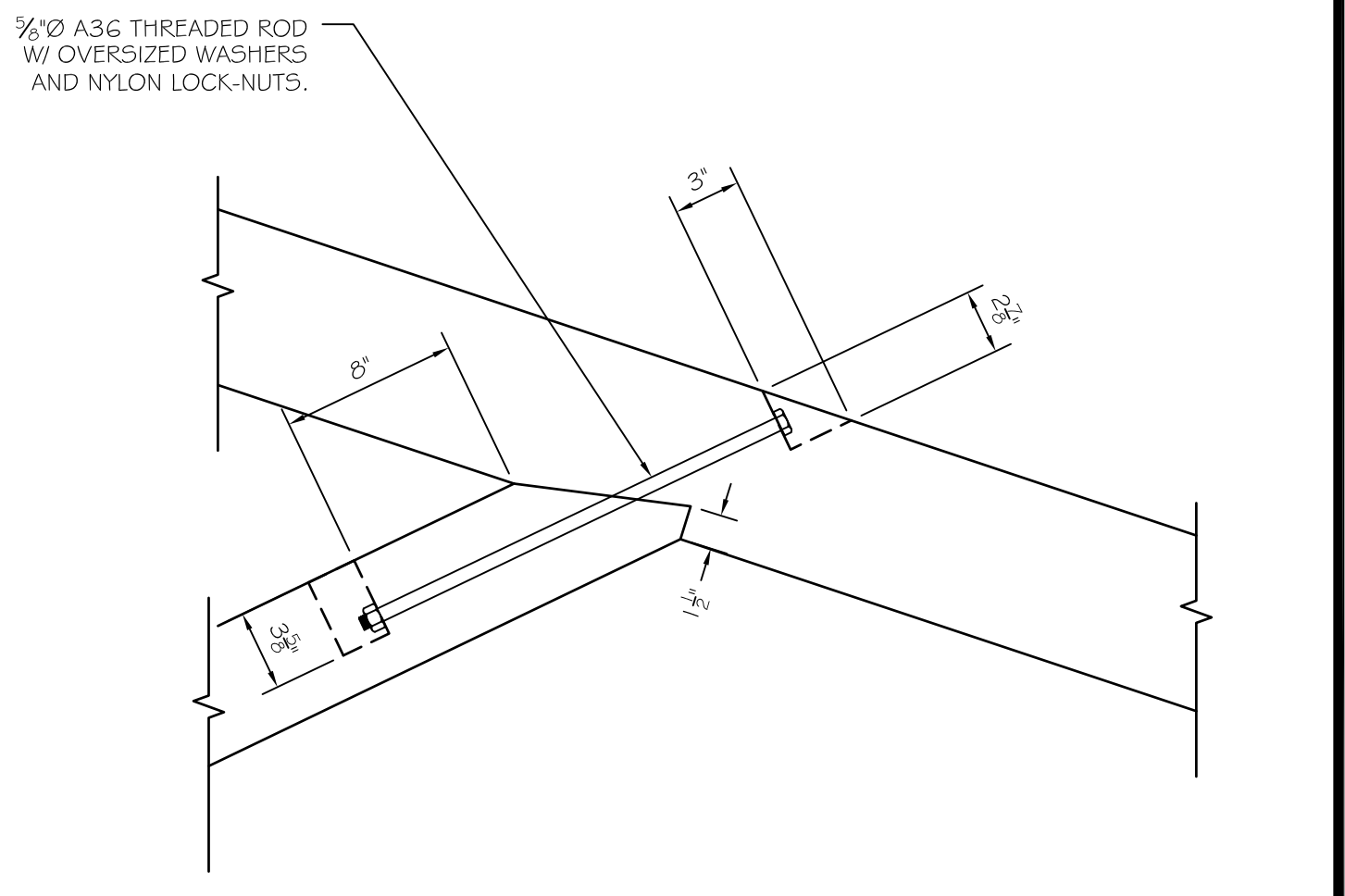
B1 EAVE DETAIL AT TIMBER TRUSSES  
SCALE: 1 1/2" = 1'-0"



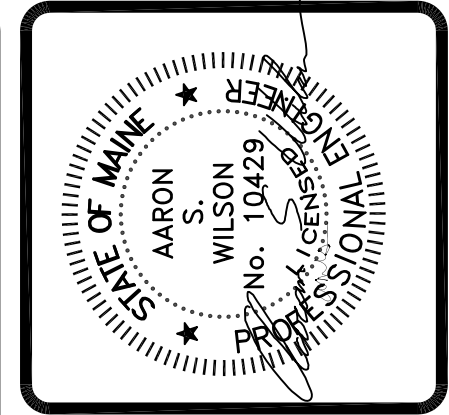
A3 RIDGE DETAIL  
SCALE: 1 1/2" = 1'-0"



A2 DETAIL  
SCALE: 1 1/2" = 1'-0"



A1 DETAIL  
SCALE: 1" = 1'-0"



**ASSOCIATED DESIGN PARTNERS INC.**

Office: (207) 878-1751  
Fax: (207) 878-1788  
E-Mail: [adp@adpengineering.com](mailto:adp@adpengineering.com)

80 Leighton Road  
Falmouth, Maine 04105

THIS DRAWING, DESIGN AND ELECTRONIC FILE ARE THE PROPERTY OF ASSOCIATED DESIGN PARTNERS, INC. THE REPRODUCTION, COPYING OR ANY OTHER USE OF THIS DOCUMENT WITHOUT WRITTEN CONSENT IS PROHIBITED.

PROJECT: **ALLAGASH BREWING CO.**  
PORTLAND, MAINE

SHEET TITLE: **PATIO ROOF PROJECT**  
STRUCTURAL DETAILS - ISSUED FOR PERMITTING

REVISIONS	DATE
No.	BY

DATE : 8-25-16  
SCALE : AS NOTED  
DESIGN BY: ASW  
DRAWN BY: RSC

PROJECT NUMBER:  
**15192**

SHEET NO:  
**S3**

C4

B4

A4