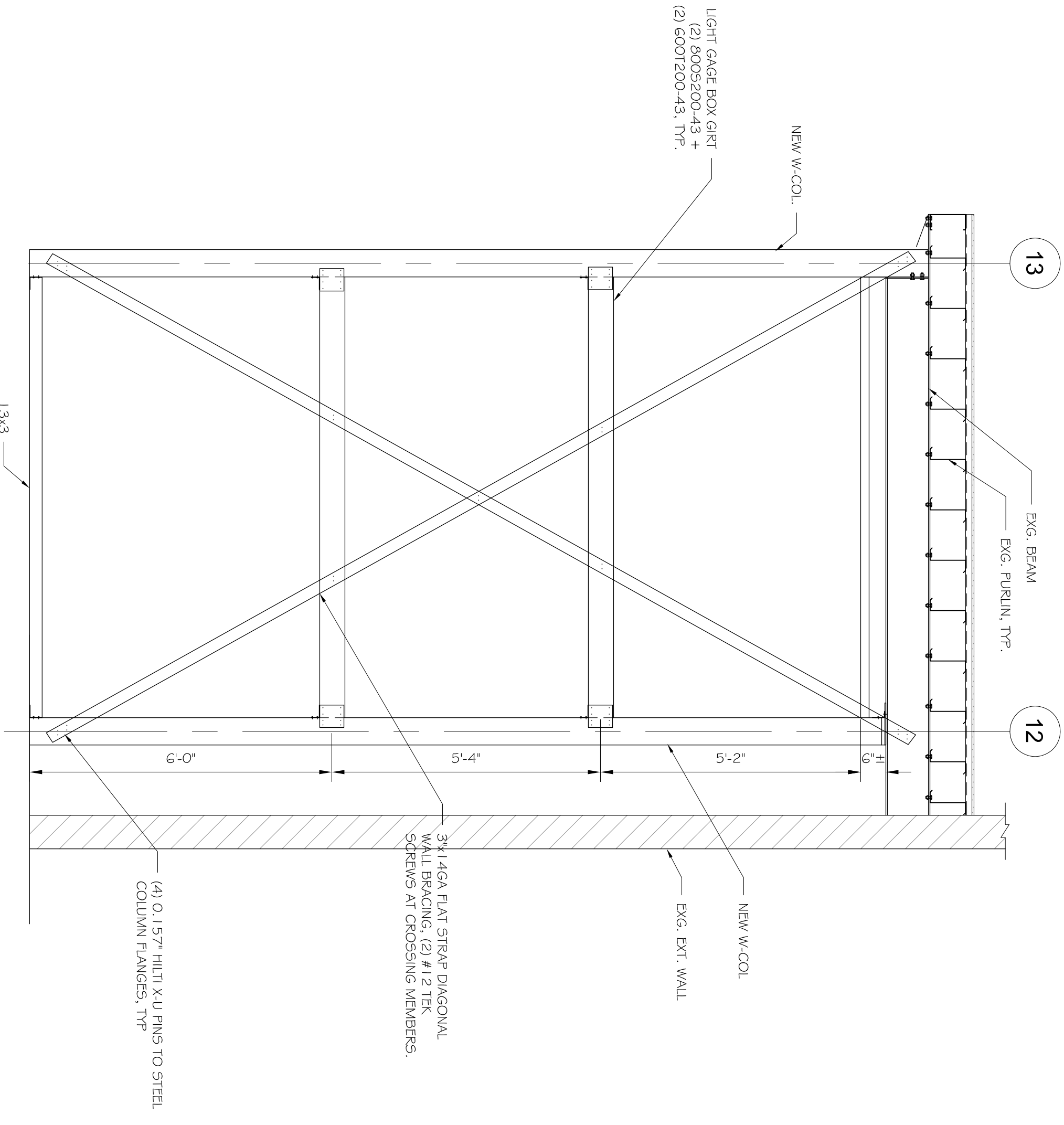
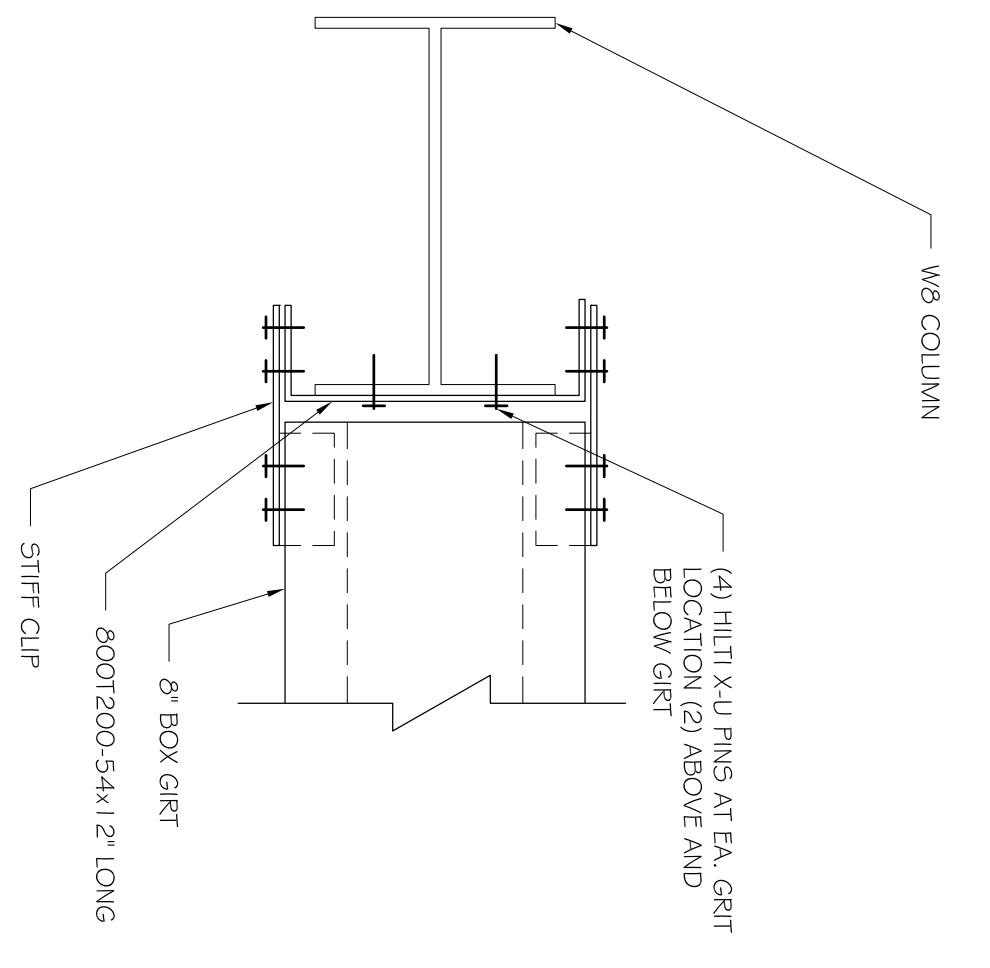


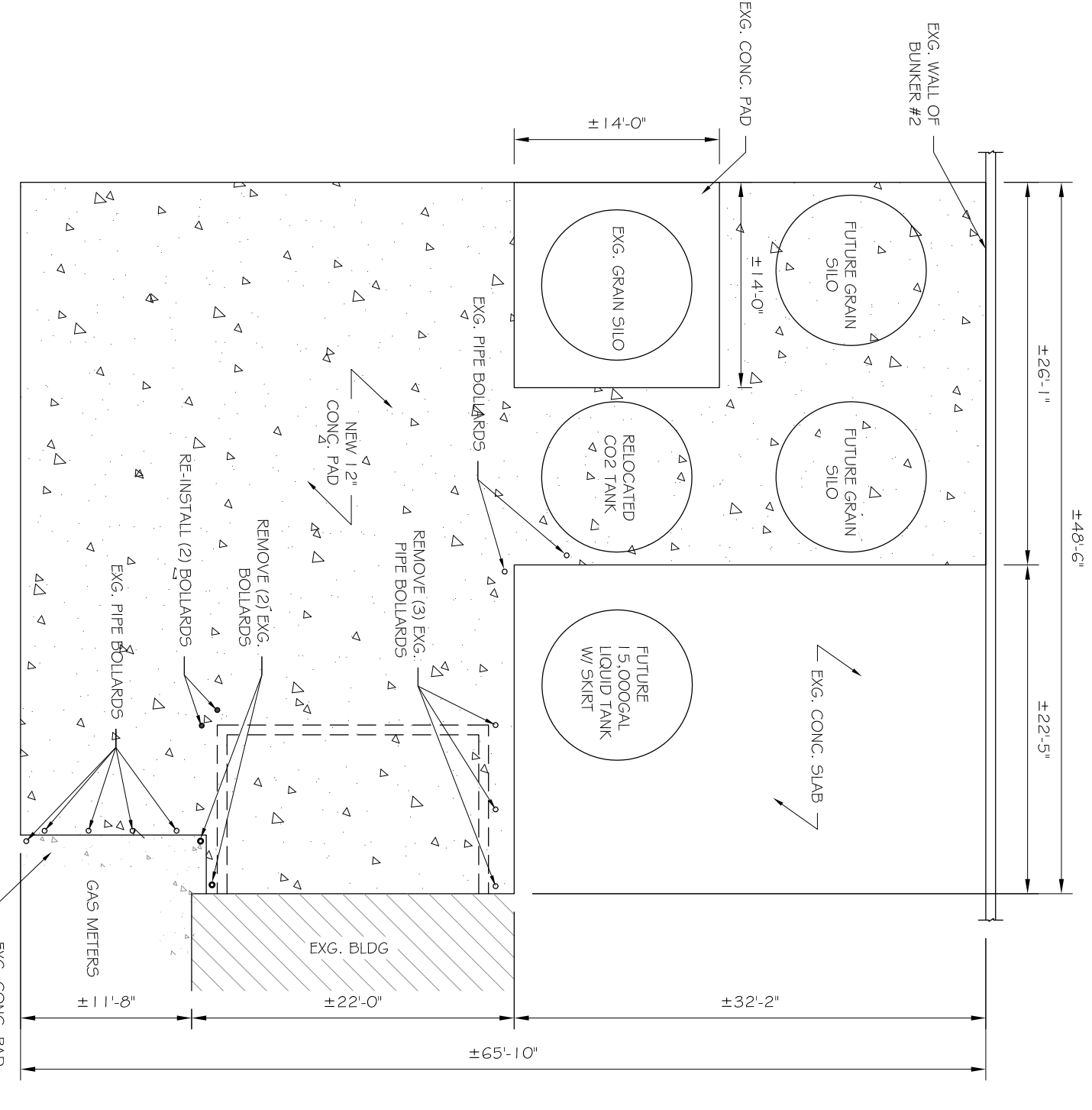
B4
FRAMING ELEVATION
SCALE: 1/2" = 1'-0"



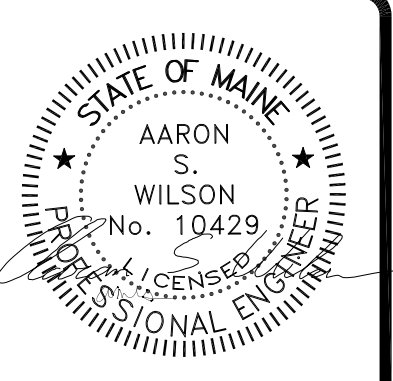
A4
FRAMING ELEVATION
SCALE: 1/2" = 1'-0"



C2
GIRT TO W-COL
SCALE: 3" = 1'-0"



A2
PARTIAL SITE PLAN
SCALE: 1" = 10'-0"



ASSOCIATED DESIGN PARTNERS INC.
80 Leighton Road
Falmouth, Maine 04105
Office: (207) 878-1751
Fax: (207) 878-1788
E-Mail: adp@adpengineering.com

PROJECT: **ALLAGASH BOILER ROOM EXTENSION**
INDUSTRIAL WAY, PORTLAND, MAINE
FOR: ALLAGASH BREWING CO.
SHEET TITLE: **WALL ELEVATION AND SECTION**
ISSUED FOR PERMITTING

REVISIONS		DATE
No.	BY	DESCRIPTION

DATE: 6-15-15
SCALE: AS NOTED
DESIGN BY: ASW
DRAWN BY: RSC
FILE #:
PROJECT NUMBER:
14307
SHEET NO.:
S103

THIS DRAWING, DESIGN AND ELECTRONIC FILE ARE THE PROPERTY OF ASSOCIATED DESIGN PARTNERS, INC. NO REUSE, REPRODUCTION OR OTHER USE OF THIS DOCUMENT WITHOUT WRITTEN CONSENT IS PROHIBITED.