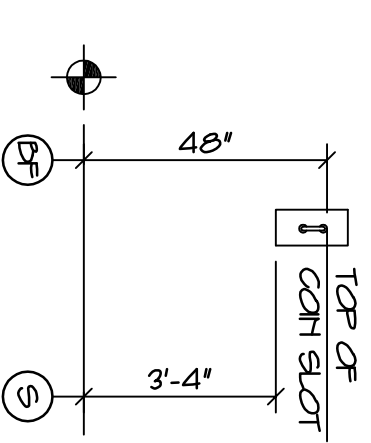
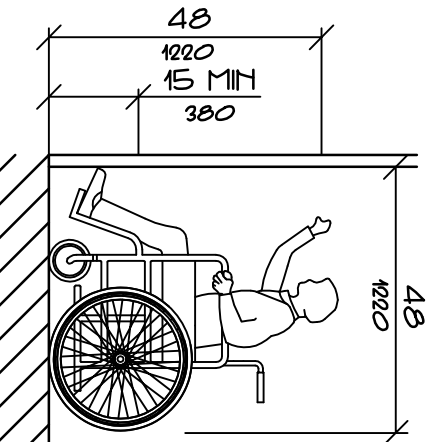


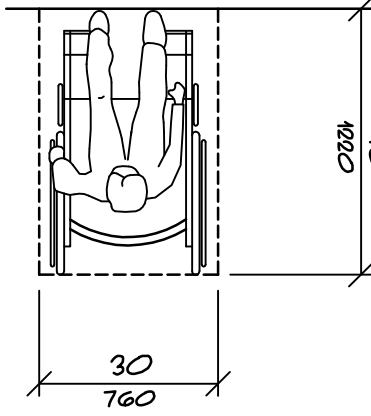
MIRROR OR MEDICINE CABINET  
NTS



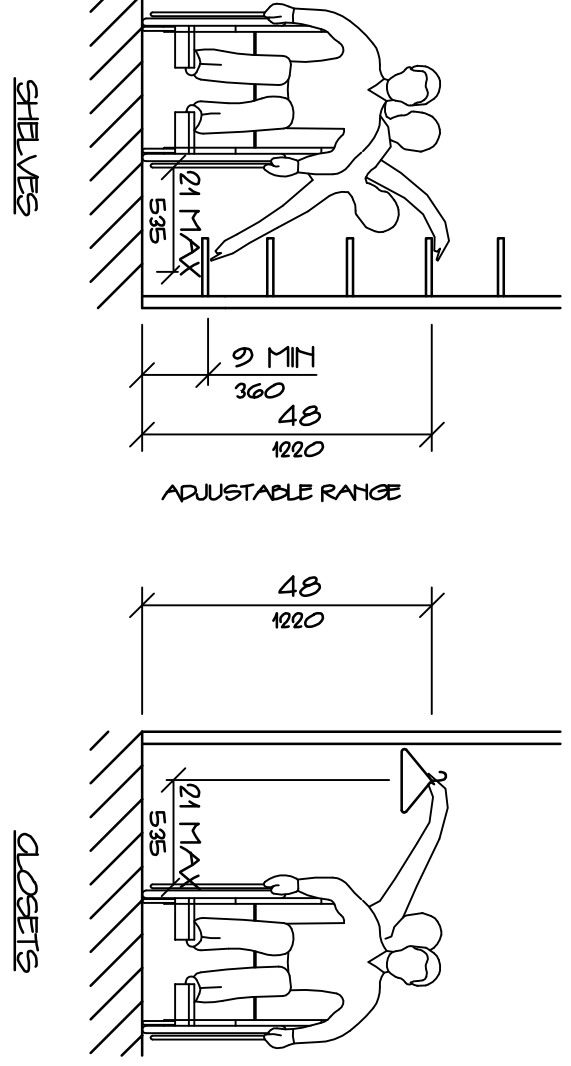
PUBLIC TELEPHONE  
NTS



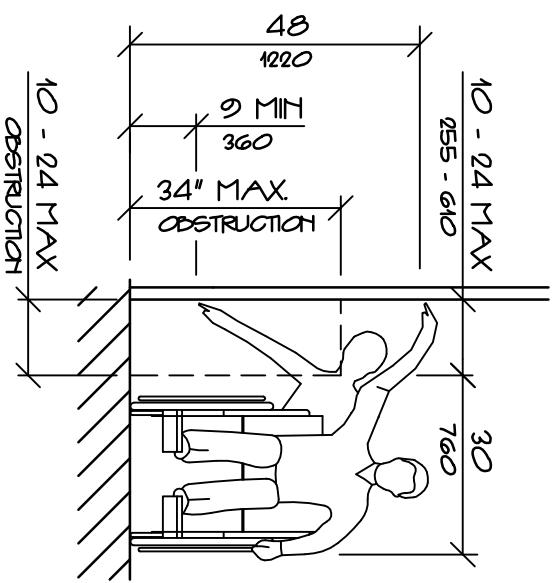
HIGH FORWARD REACH UNIT  
NTS



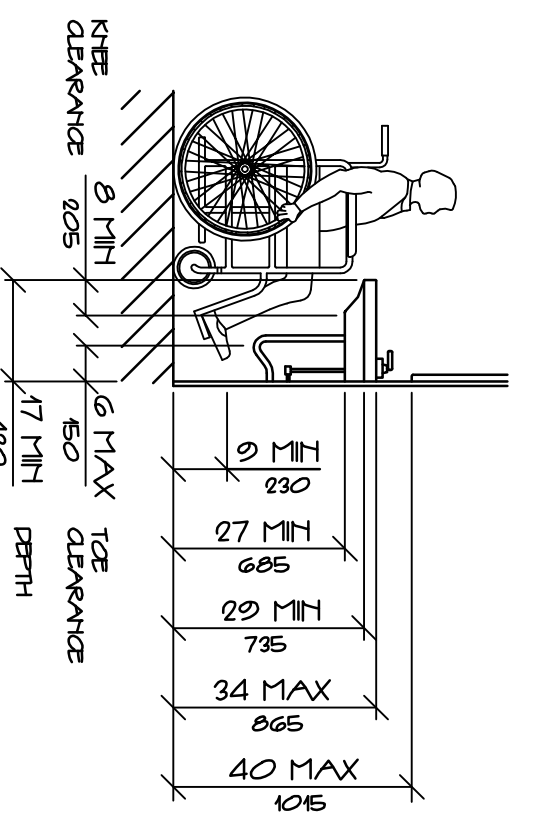
STORAGE SHELVES AND CLOSETS  
NTS



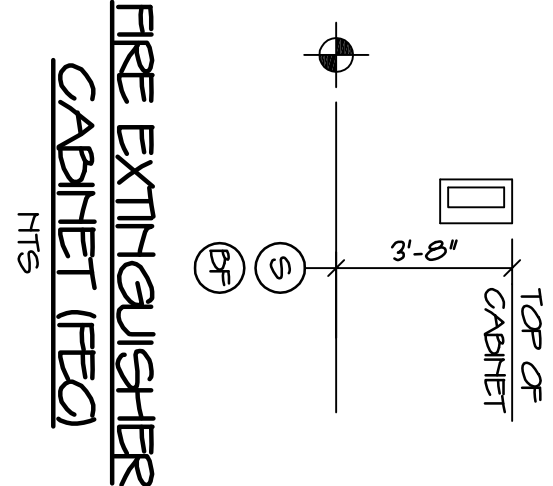
CLEAR FLOOR SPACE  
PARALLEL APPROACH  
NTS



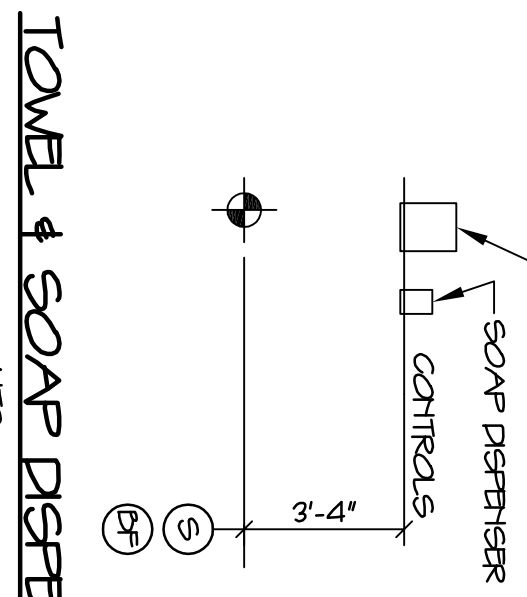
HIGH AND LOW  
SIDE REACH UNITS  
NTS



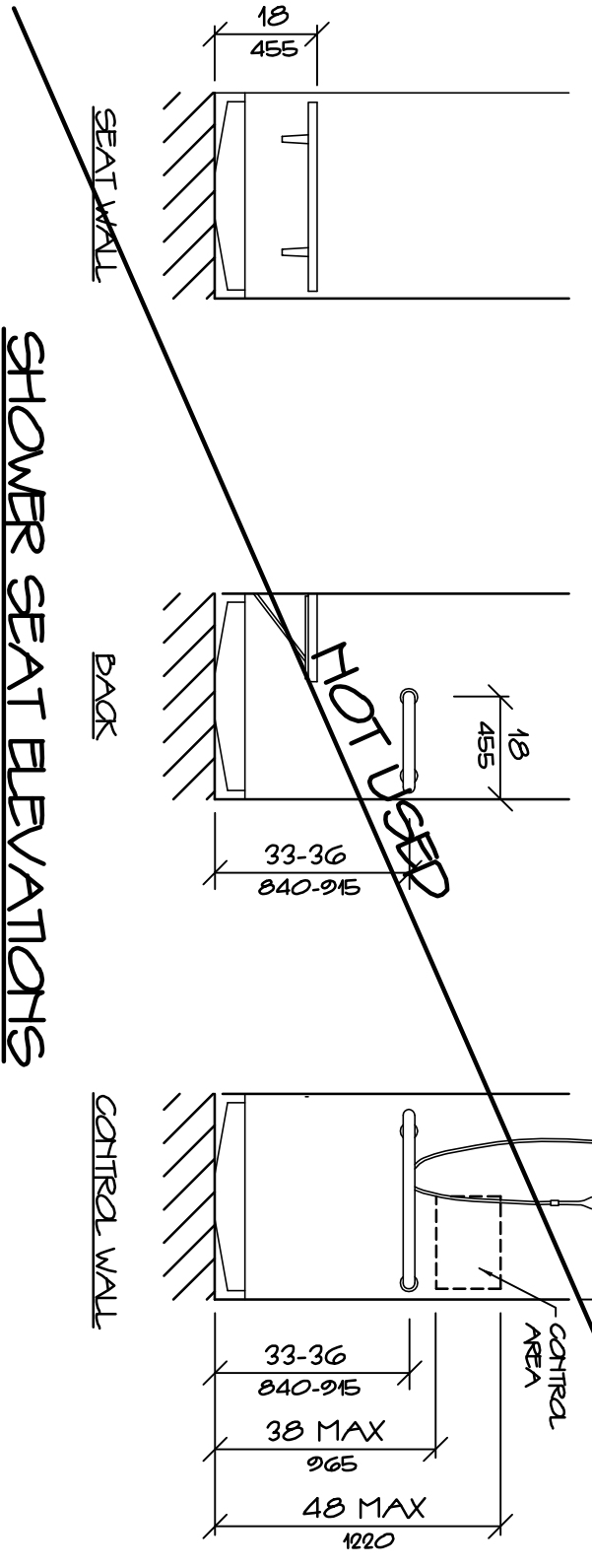
LAVATORY CLEARANCES  
NTS



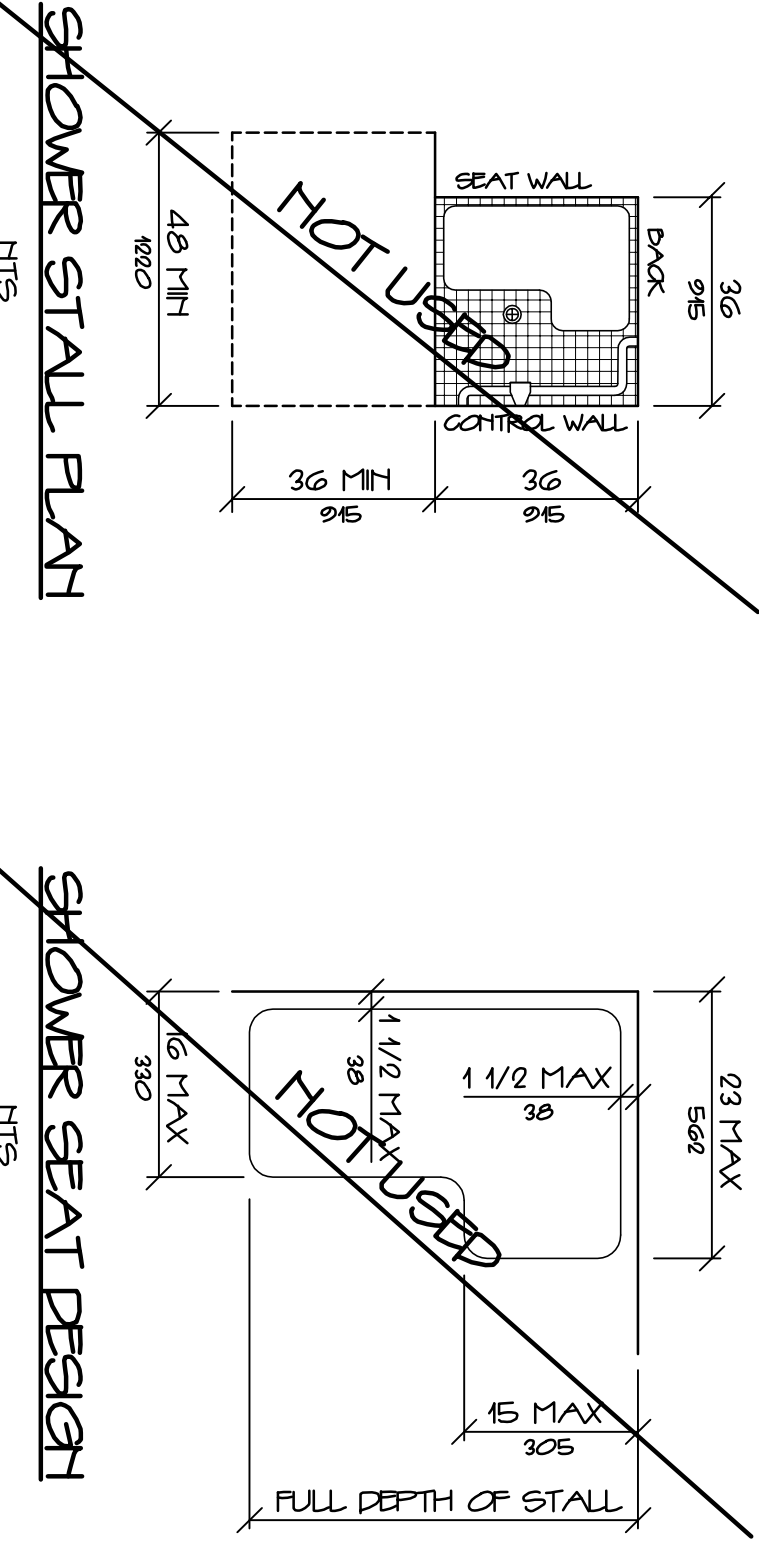
FIRE EXTINGUISHER  
CABINET (FEC)  
NTS



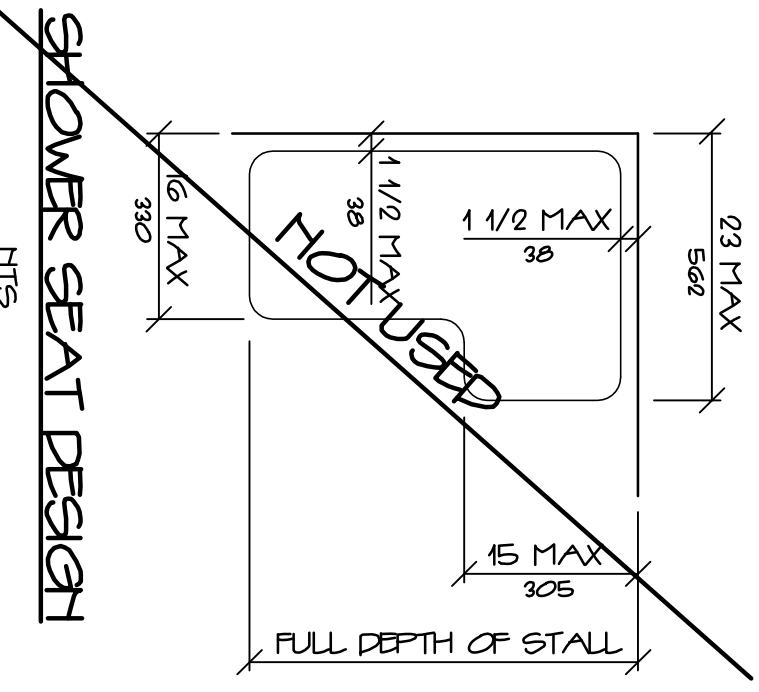
TOWEL & SOAP DISPENSERS  
NTS



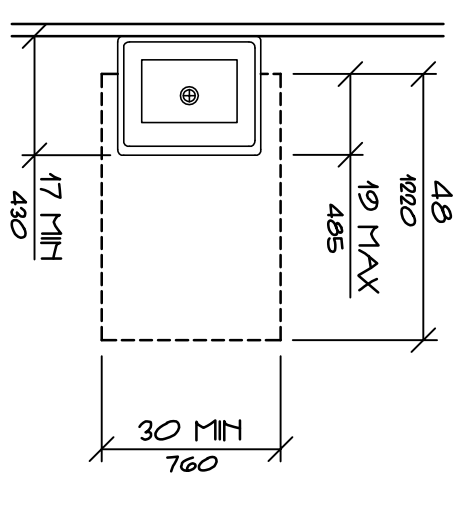
SHOWER SEAT ELEVATIONS  
NTS



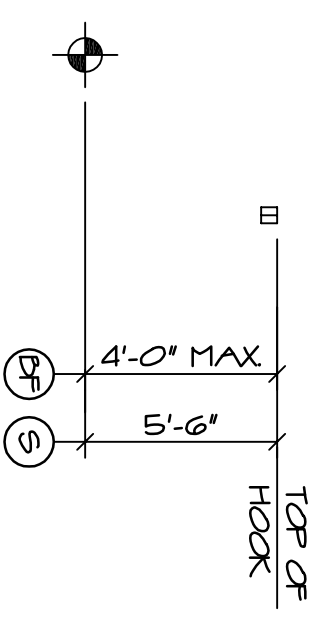
SHOWER STALL PLAN  
NTS



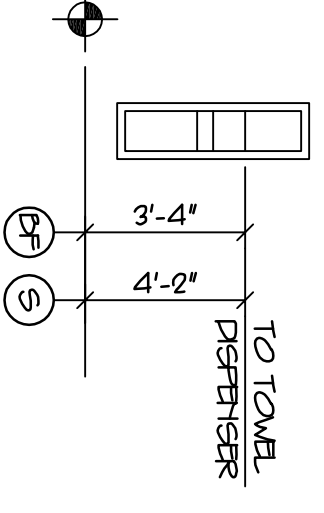
SHOWER SEAT DESIGN  
NTS



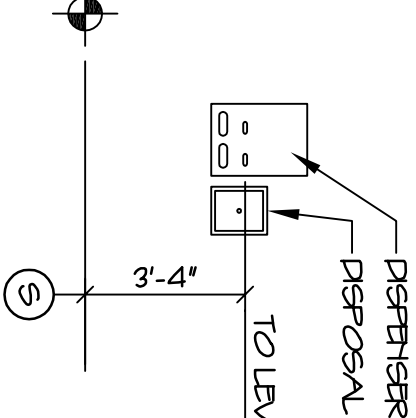
CLEAR FLOOR SPACE  
AT LAVATORIES  
NTS



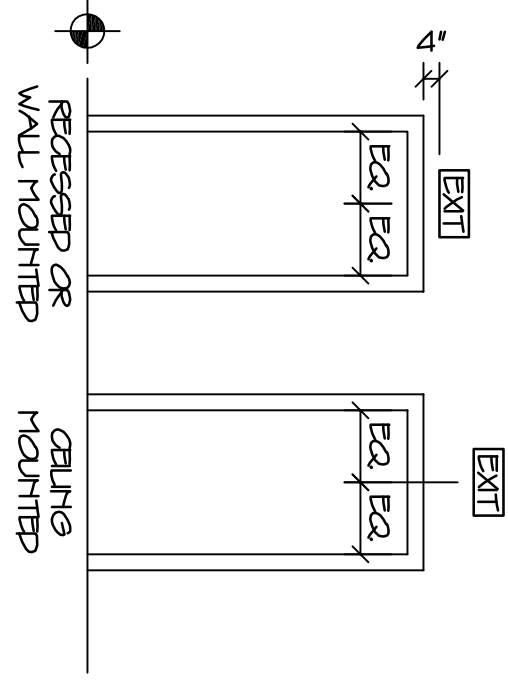
CLOTHES HOOK  
NTS



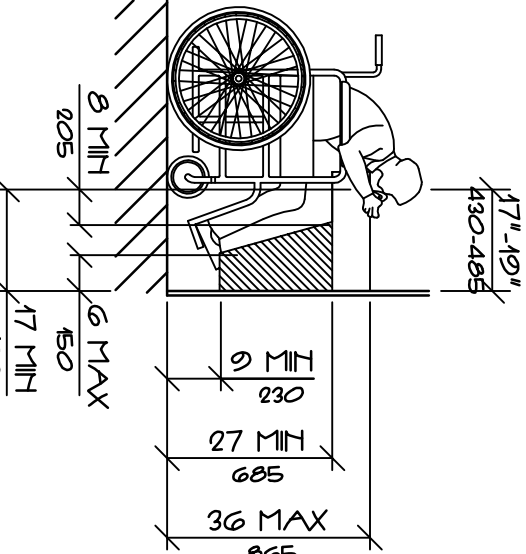
TOWEL DISPENSER  
DISPOSAL UNIT  
NTS



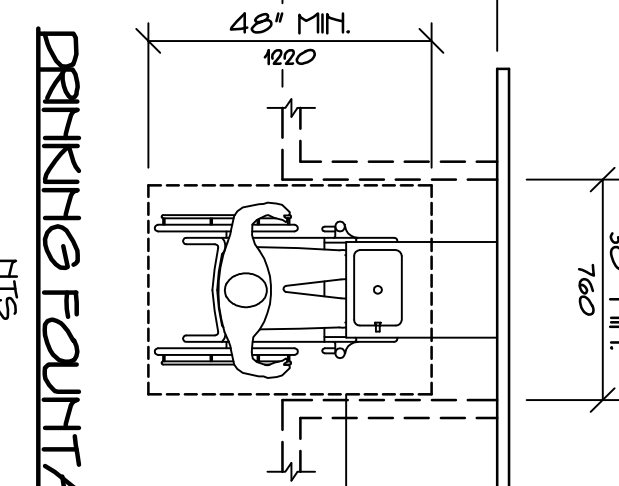
SANITARY NAPKIN  
DISPENSER & DISPOSAL  
NTS



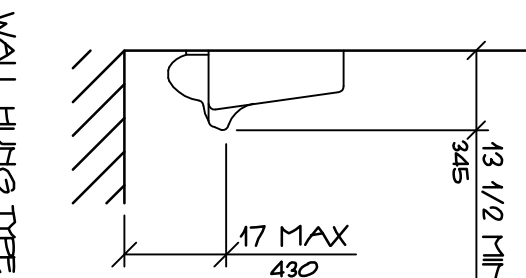
TYPICAL EXIT SIGNS  
UNLESS OTHERWISE NOTED  
NTS



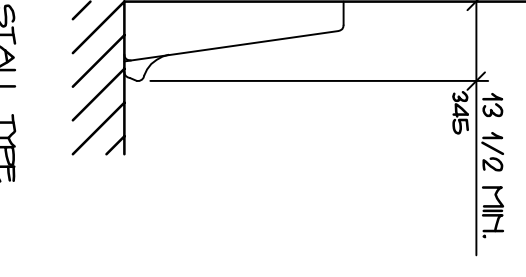
EQUIPMENT PERMITTED  
IN SHADED AREA  
DRINKING FOUNTAIN  
SEAT HEIGHT AND  
KNEE CLEARANCE  
NTS



DRINKING FOUNTAIN  
NTS

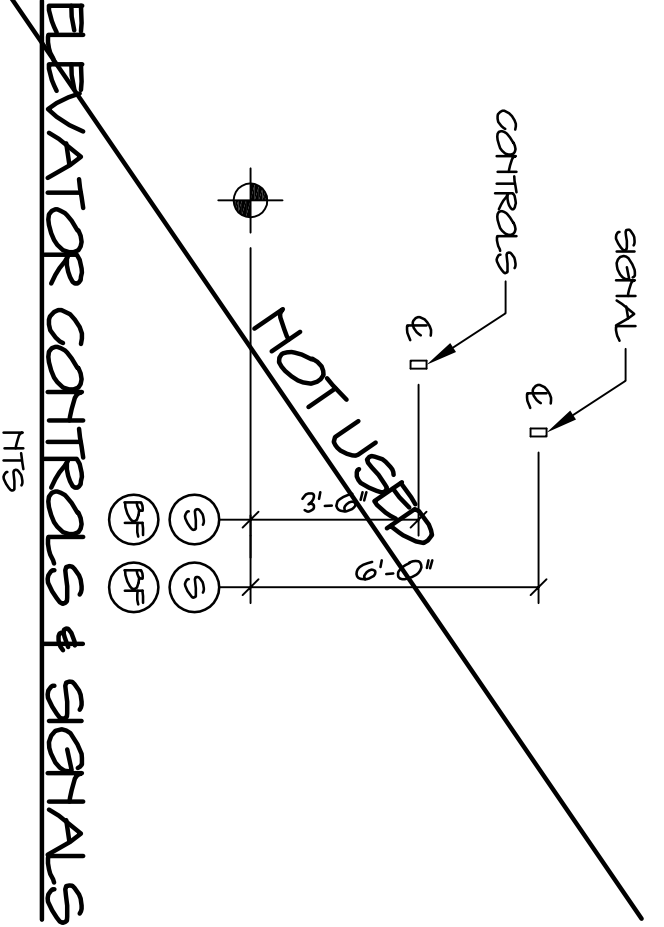


WALL HUNG TYPE

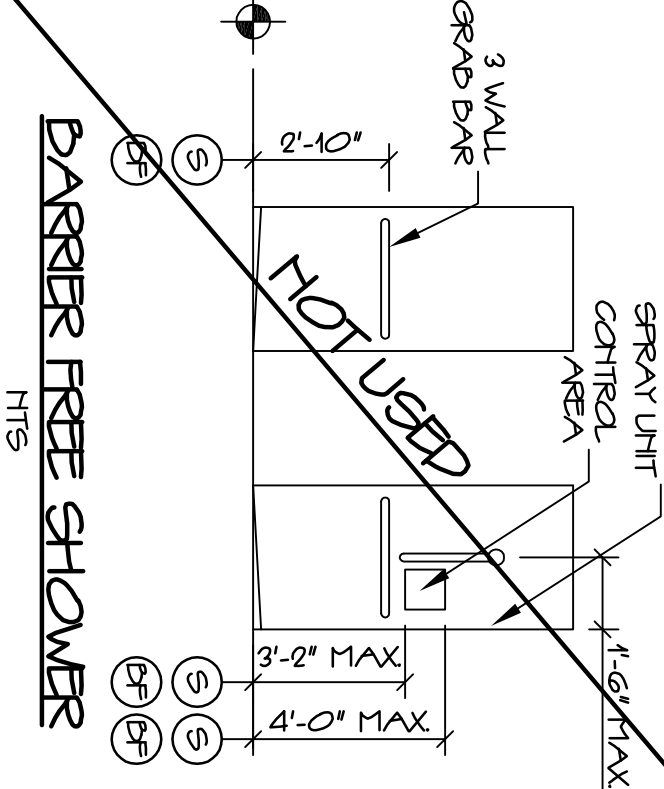


STALL TYPE

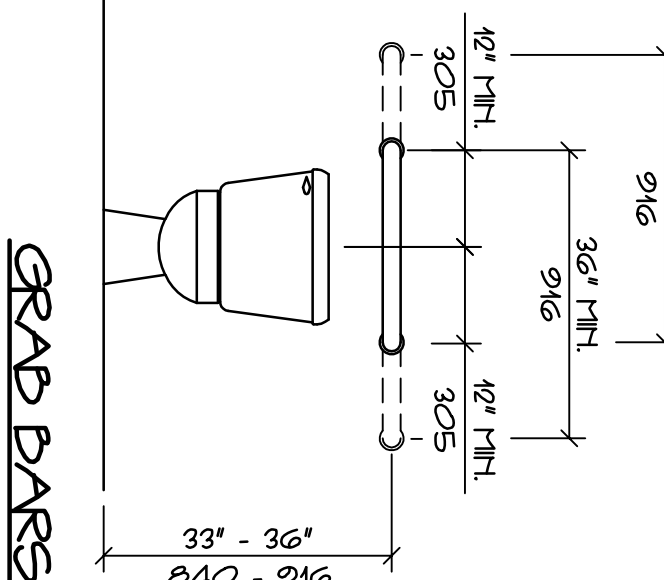
HEIGHT AND DEPTH OF URINALS  
NTS



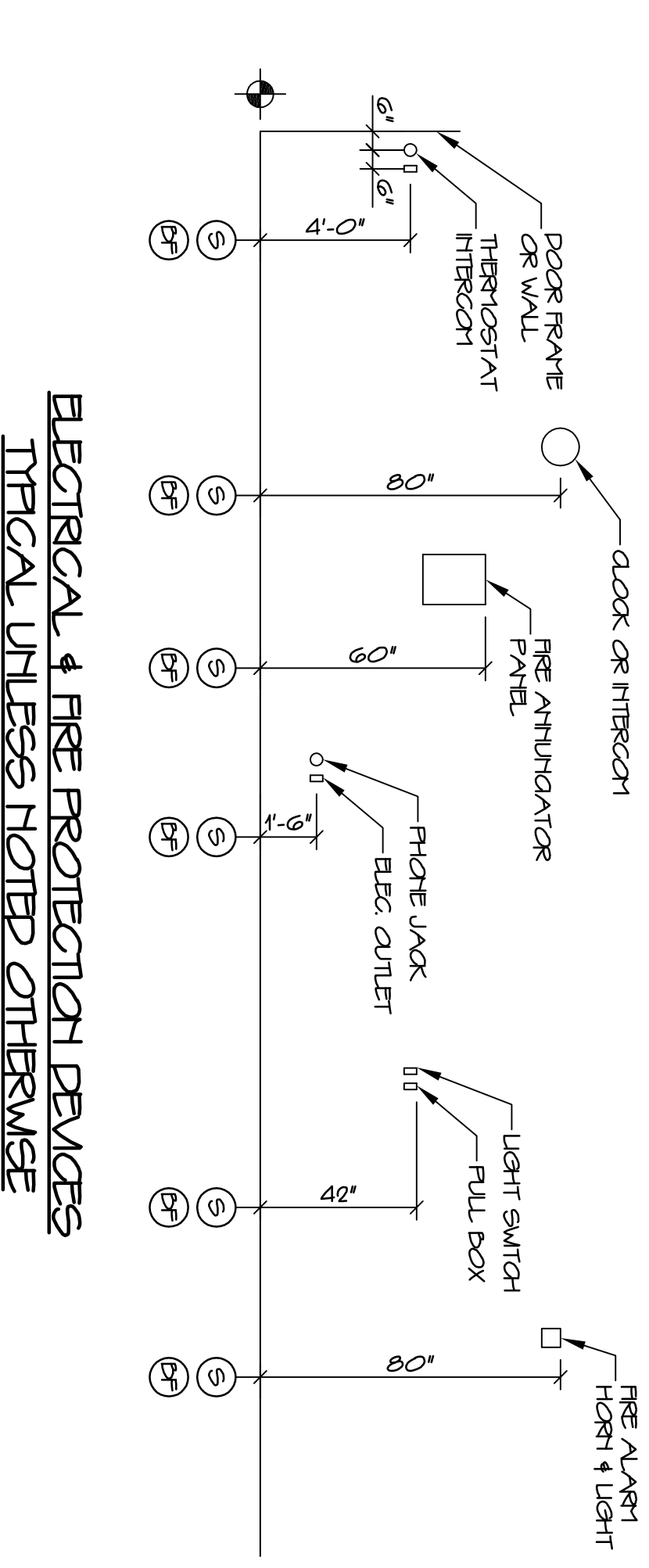
ELEVATOR CONTROLS & SIGNALS  
NTS



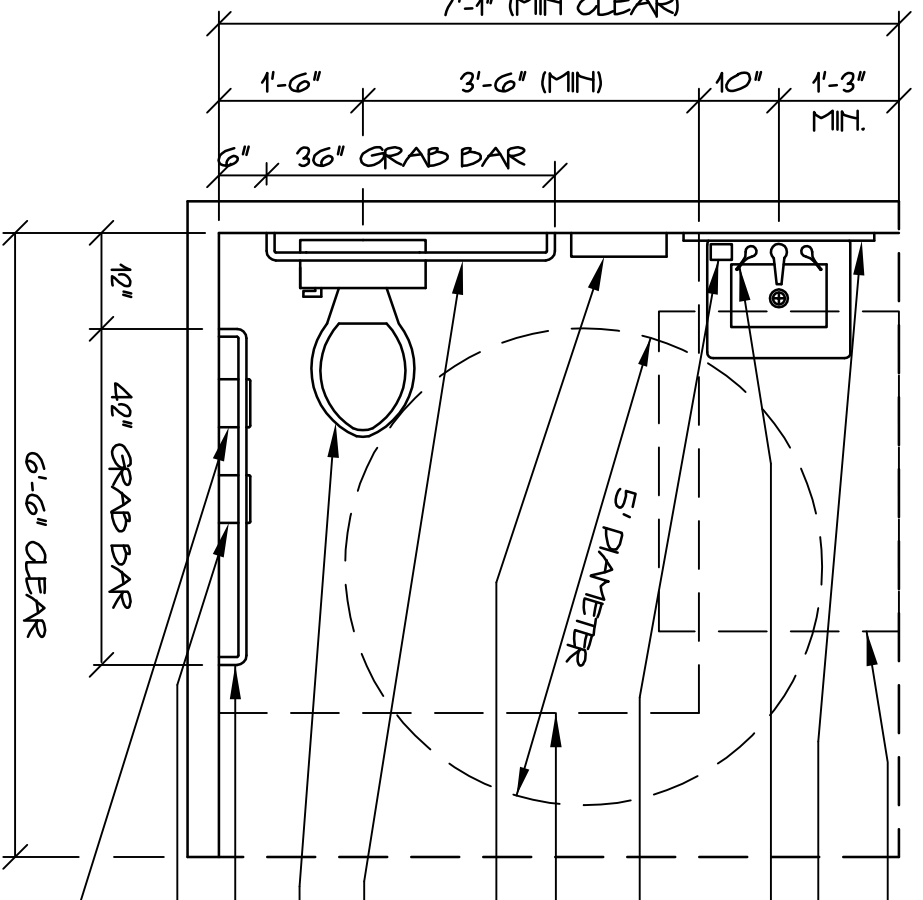
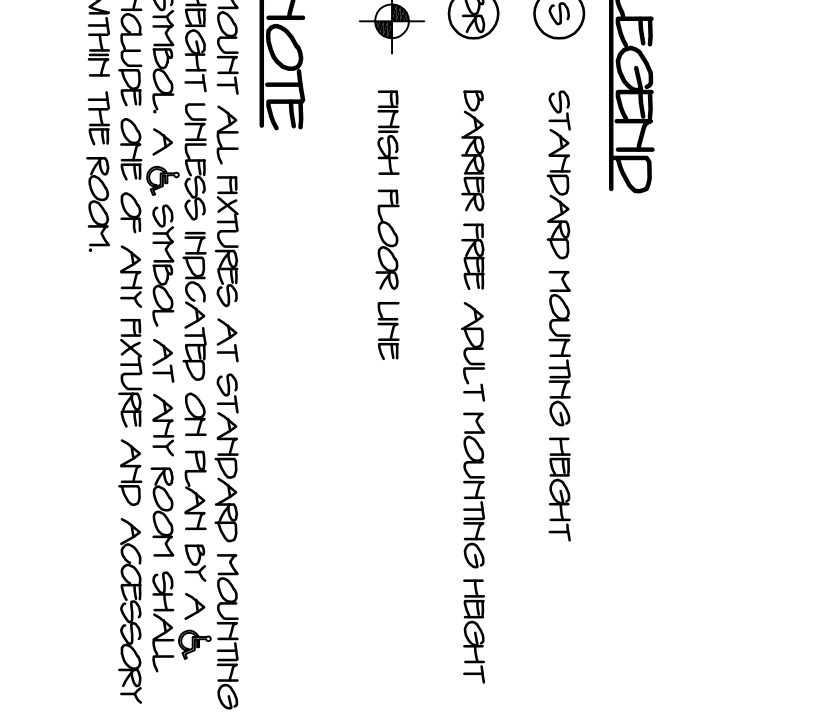
BARrier FREE SHOWER  
NTS



GRAB BARS AT WATER CLOSETS  
NTS



ELECTRICAL & FIRE PROTECTION DEVICES  
TYPICAL UNLESS NOTED OTHERWISE  
NTS



TYPICAL ACCESSORIES  
NTS

- 30" WID<sup>0</sup> CLEAR FLOOR AREA AT SHK
- 24" X 36" THERO<sup>0</sup>
- LEADER HANDLED FAUCET AT 1600<sup>0</sup> WALL HUNG SINK WITH FIRE PROTECTION
- SOAP DISPENSER - SEE SHEET A FOR LOCATION
- 60" X 60" CLEAR FLOOR AREA AT TOLBT
- PAPER TOWEL DISPENSER AND DISPOSAL SEE SHEET A FOR LOCATION
- 36" GRAB BAR
- ACCESSIBLE TOILET
- 42" GRAB BAR
- SANITARY NAPKIN DISPOSAL (SH) AT 1600<sup>0</sup> WITH FIRE CHUTE
- TOILET PAPER DISPENSER

ACCESSIBILITY GENERAL NOTES

1. PROGRAMS SHALL HAVE A MINIMUM CLEAR WIDTH OF 36" WITH THE DOOR OPEN 90 DEGREES MEASURED BETWEEN THE FACE OF THE DOOR AND THE OPPOSITE STOP
2. ALL DOORS SHALL HAVE LEADER HANDLE HARDWARE EXCEPT AT REAR STORAGE ROOMS, MECHANICAL ROOMS, AND ELEVATOR MACHINE ROOMS
3. ALL CLOSETS SHALL BE SLIP FULL HANGERS AT DOORS EQUIPPED WITH LEADER HANDLE HARDWARE
4. ALL DOORS WITH CLOSETS SHALL HAVE 48" CLEAR DISTANCE FROM THE LATCH SIDE OF THE DOORING TO ANY ADJACENT WALL OR OBSTRUCTION ON THE PUSH SIDE OF THE DOORING
5. ALL DOORS WITH CLOSETS SHALL HAVE 18" CLEAR DISTANCE FROM THE LATCH SIDE OF THE DOORING TO ANY ADJACENT WALL OR OBSTRUCTION ON THE PUSH SIDE OF THE DOORING
6. ALL SIGNAGE SHALL BE MOUNTED 60" AFF TO PARALLEL CORNERPOST AT LATCH-SIDE WALL OF DOORS AND CEILING

**G R A N T H A Y S A S S O C I A T E S**

ARCHITECTURE  
INTERIOR DESIGN  
P.O. BOX 6179 FALMOUTH, MAINE 04105  
(207) 871-5900 (207) 871-9308

NEW ADDITION FOR  
**ALLAGASH BREWING CO.**  
50 INDUSTRIAL WAY PORTLAND, MAINE

REPRODUCTION OR USE OF THIS DOCUMENT WITHOUT GRANT HAYS ASSOCIATES IS PROHIBITED

SCALE: AS NOTED

DATE: 10 SEPT. 12

DRAWN BY: SAN/1/1/11

JOB NO.: 140701

DRAWING NO.: **A7.1**

ACCESSIBILITY  
DETAILS AND NOTES

REVISIONS

JOB TITLE