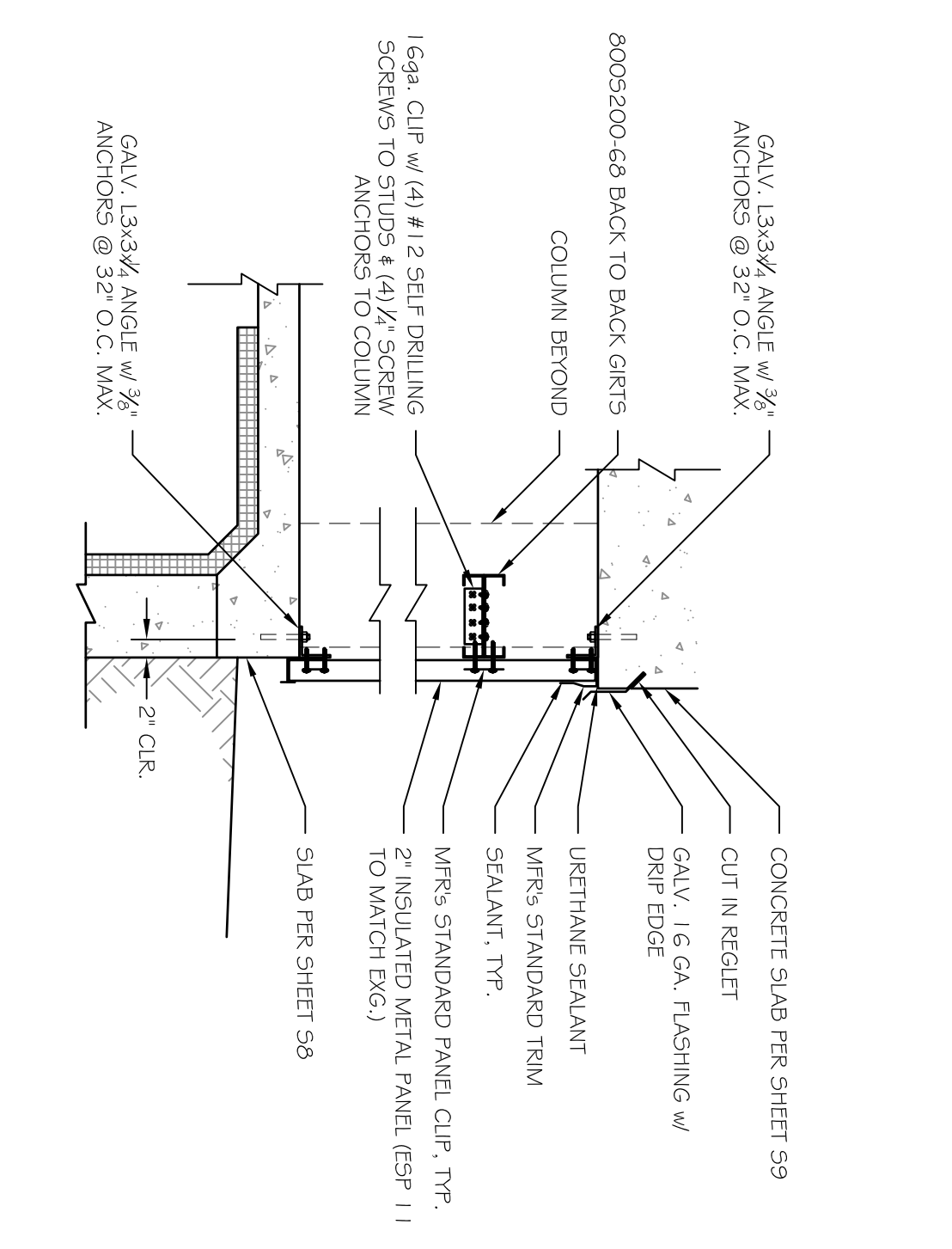
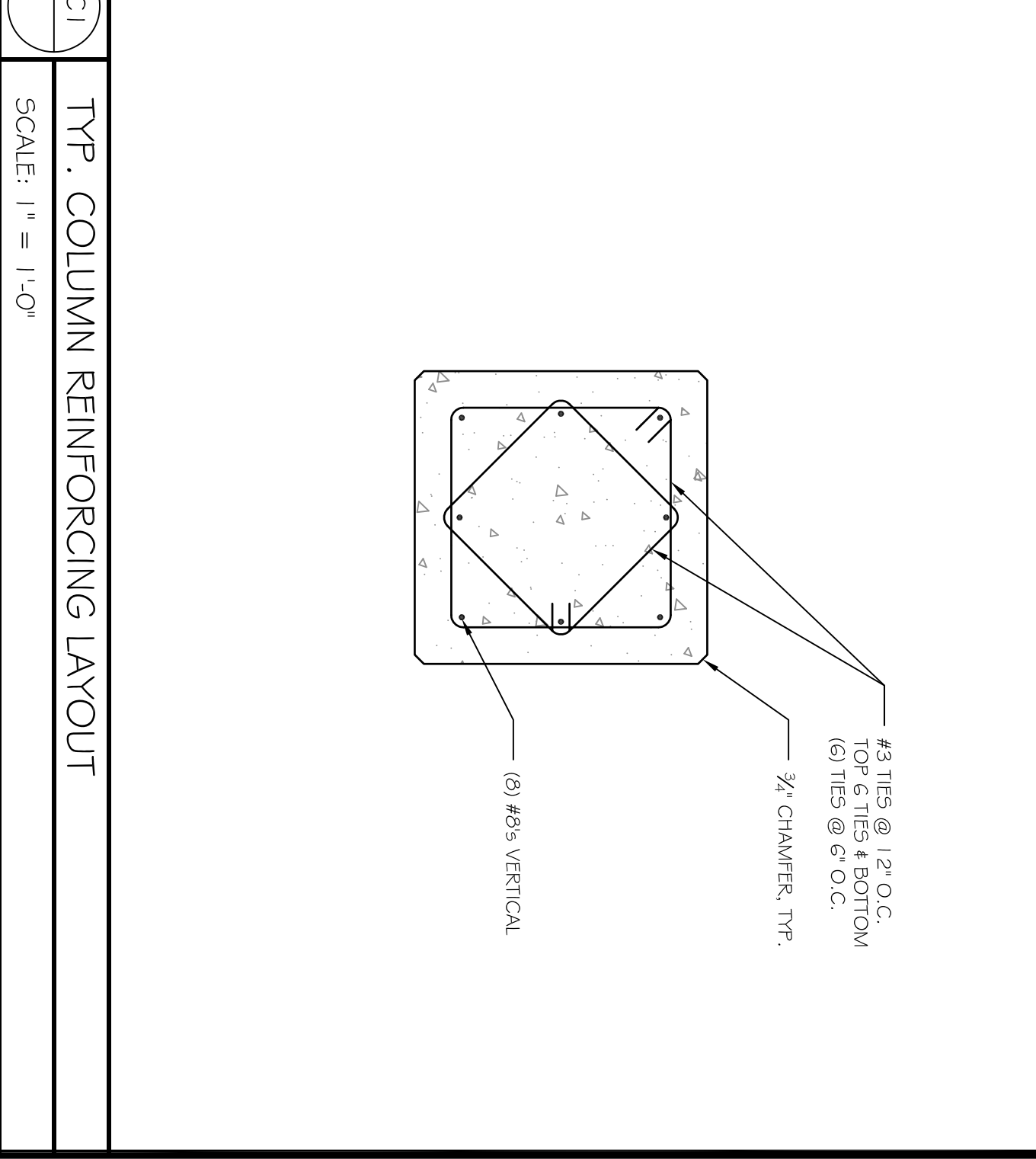


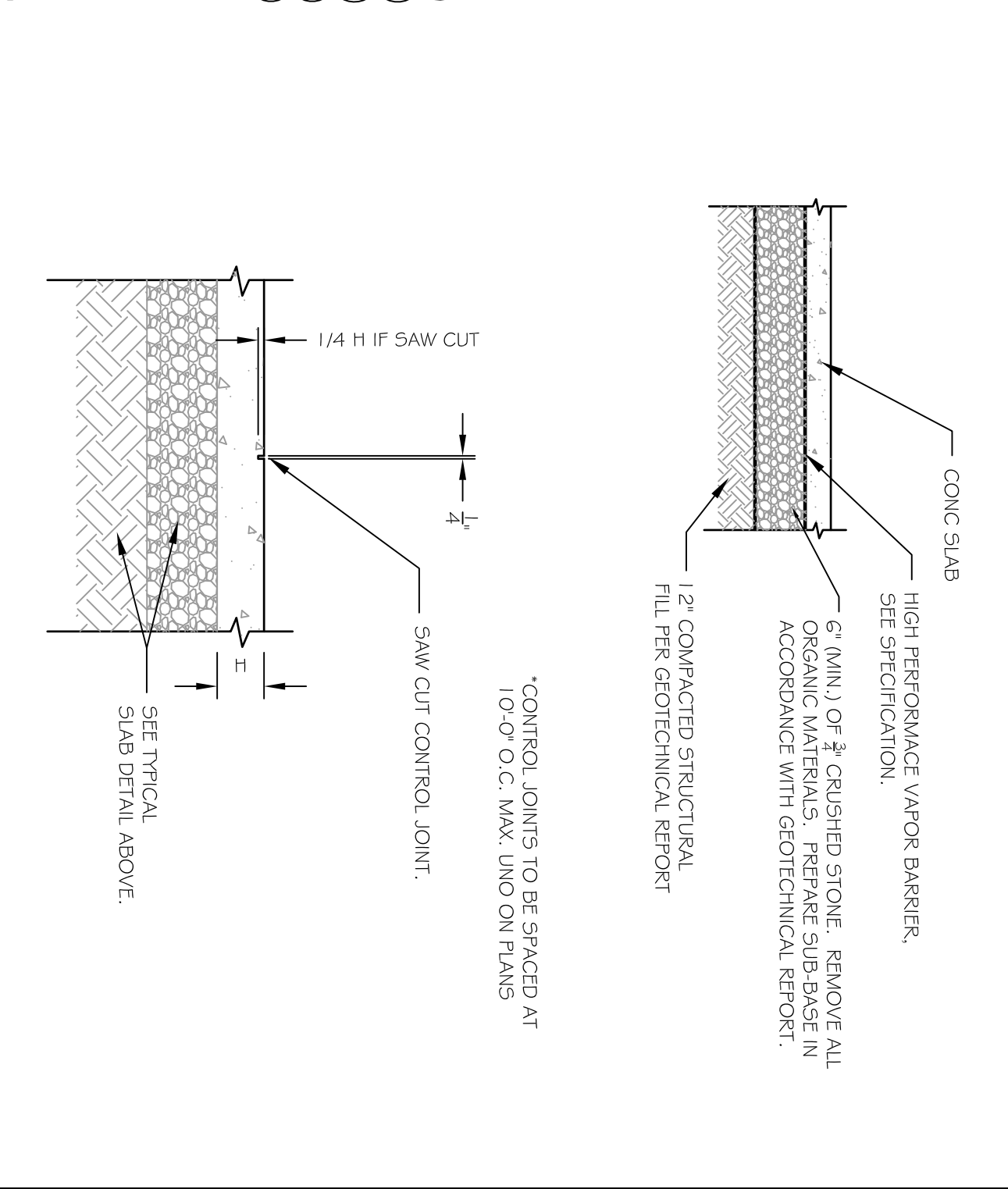
C3
DETAIL THRU PERIMETER AND BEAM 4
SCALE: 3/4" = 1'-0"



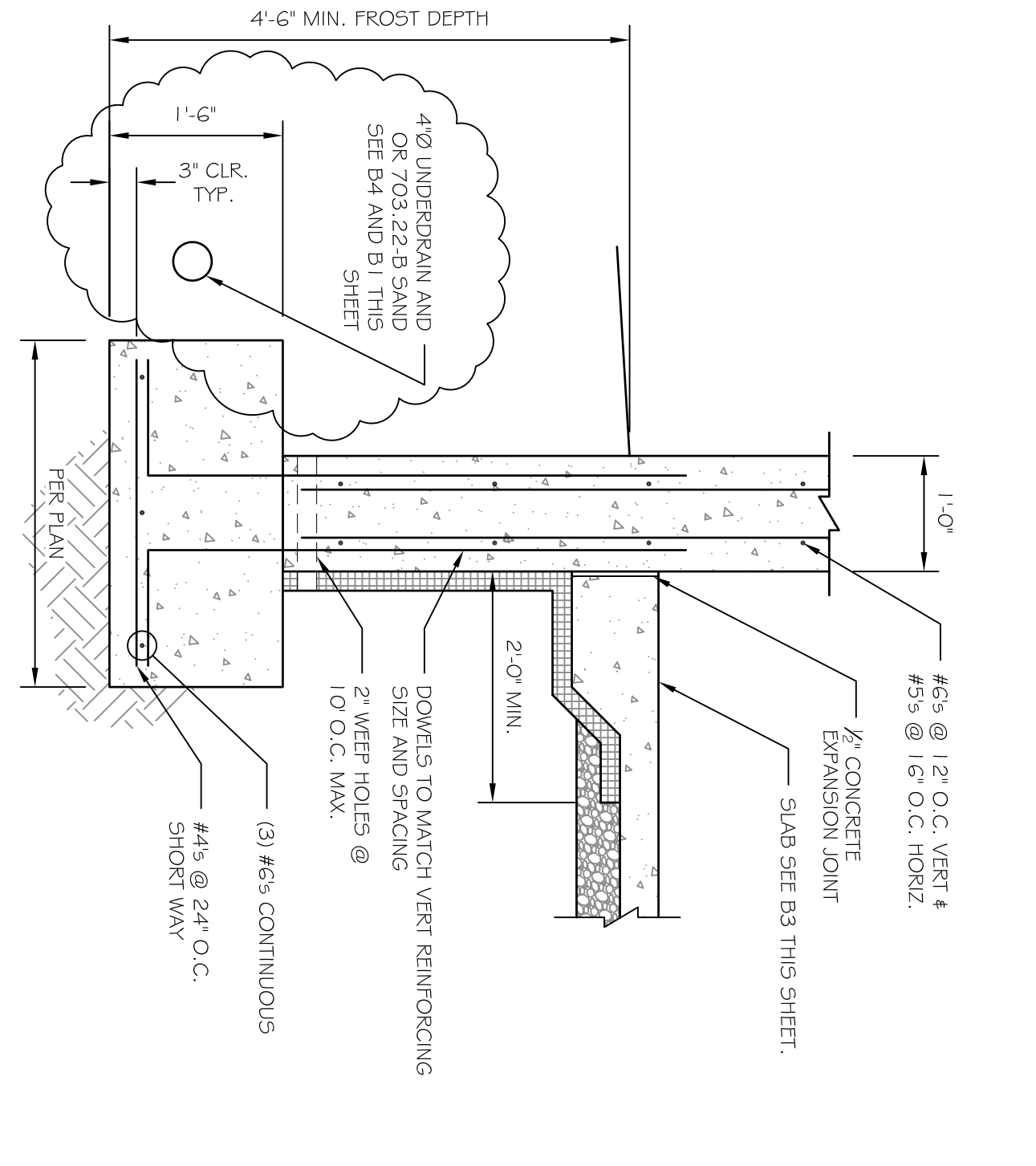
C2
INSULATED PANEL WALL SECTION
SCALE: 3/4" = 1'-0"



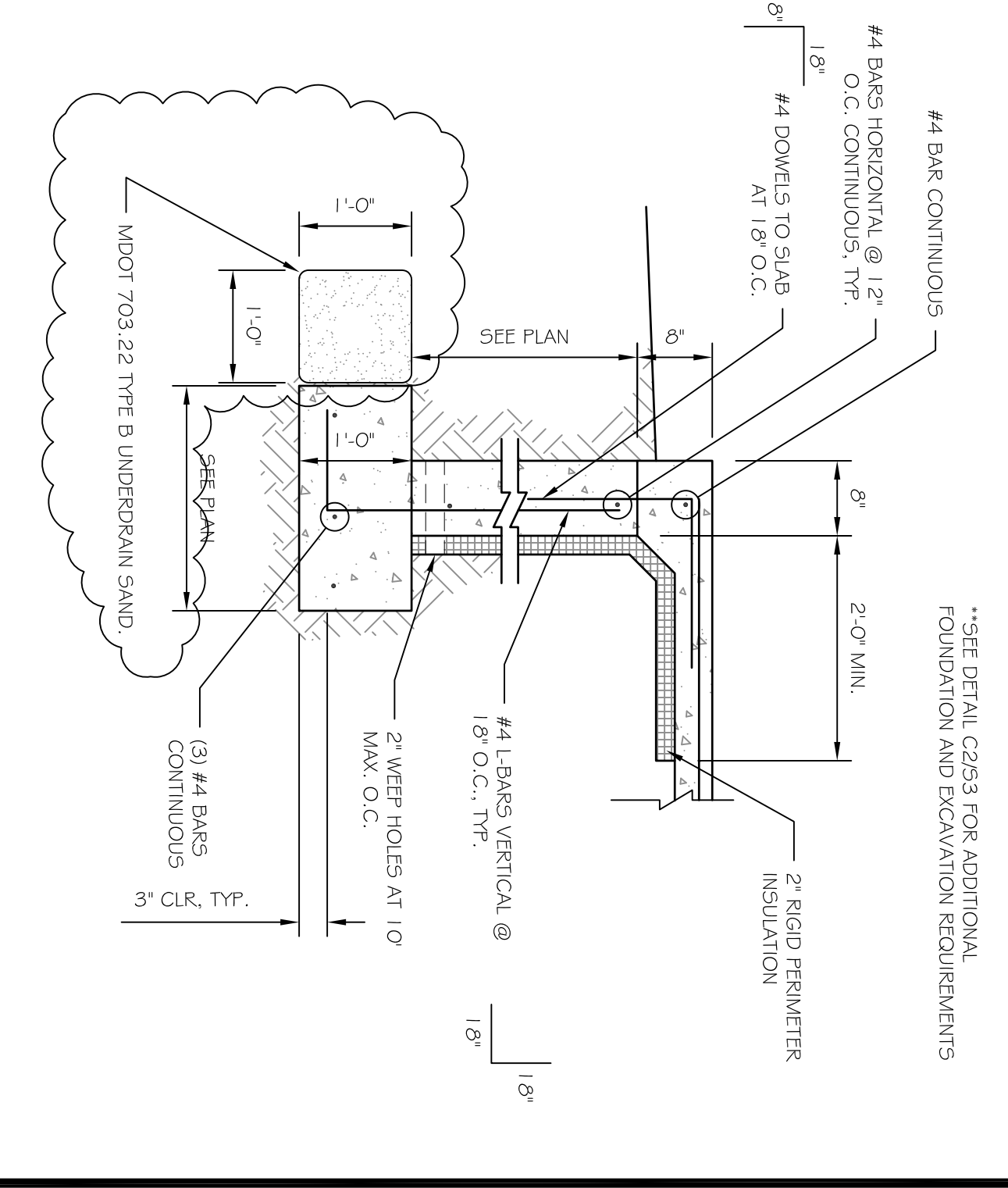
C1
TYP. COLUMN REINFORCING LAYOUT
SCALE: 1" = 1'-0"



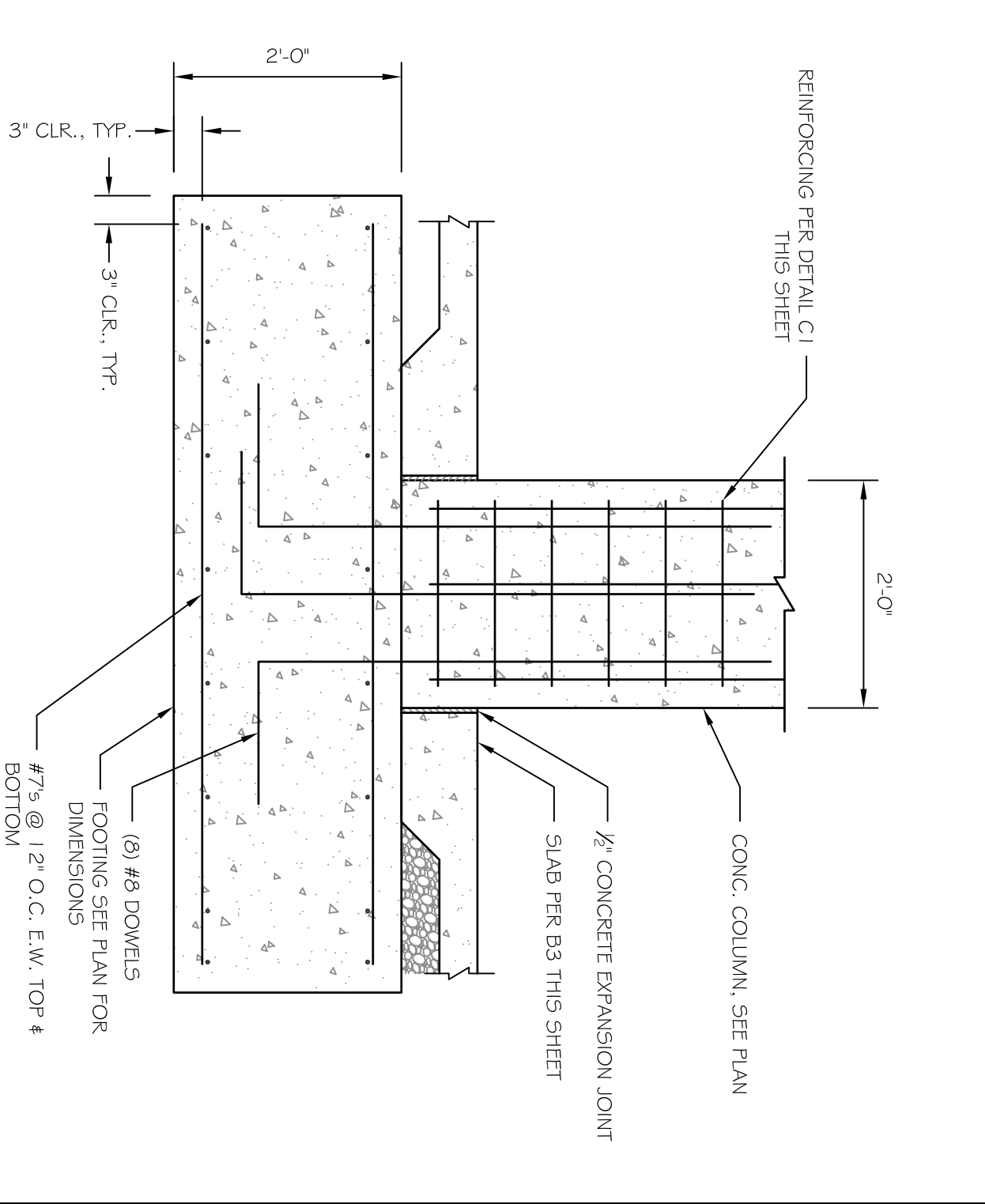
B3
TYPICAL SLAB ON GRADE DETAILS
SCALE: NO SCALE



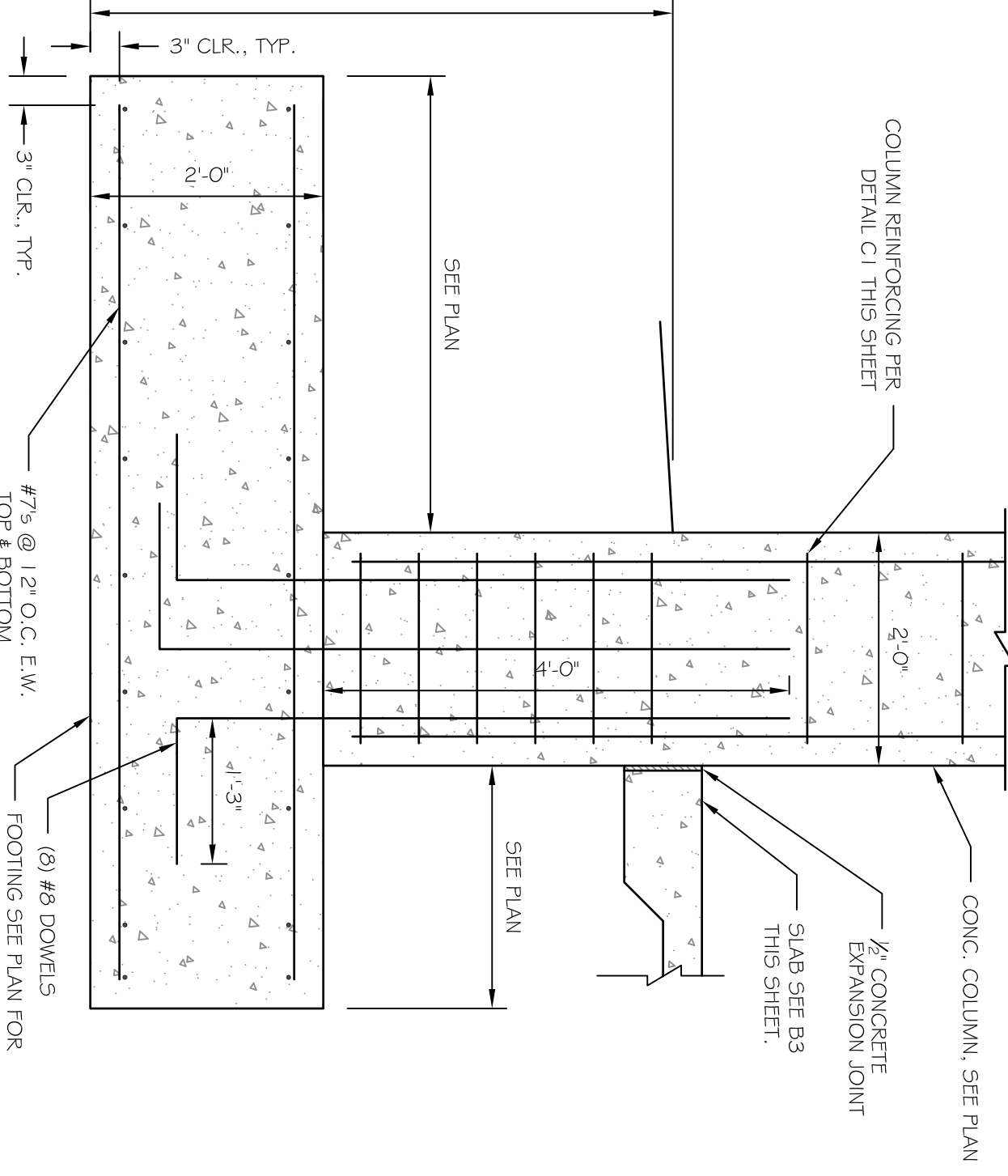
B2
DETAIL AT 12\"/>



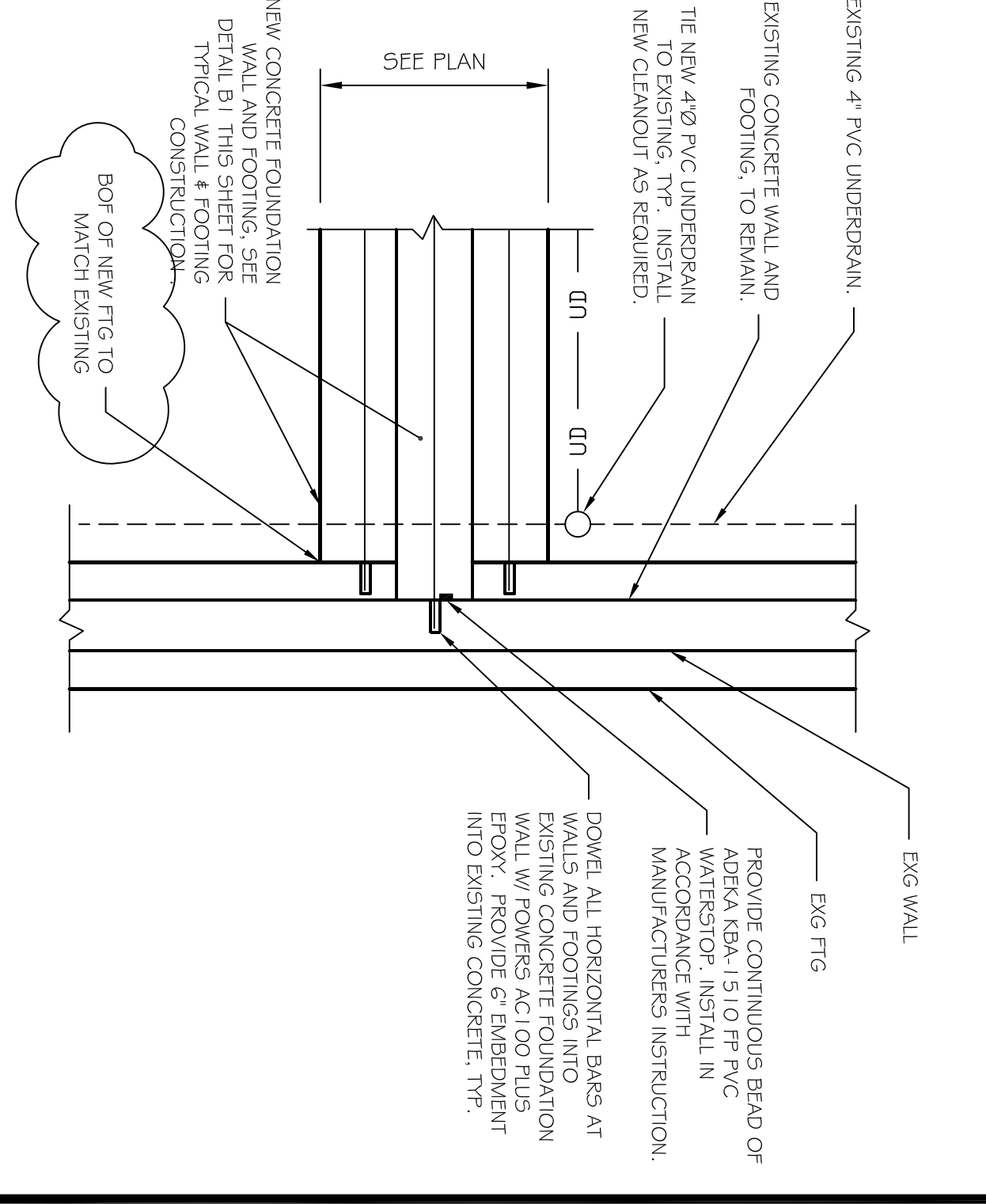
B1
TYP. STEM WALL DETAIL
SCALE: 3/4" = 1'-0"



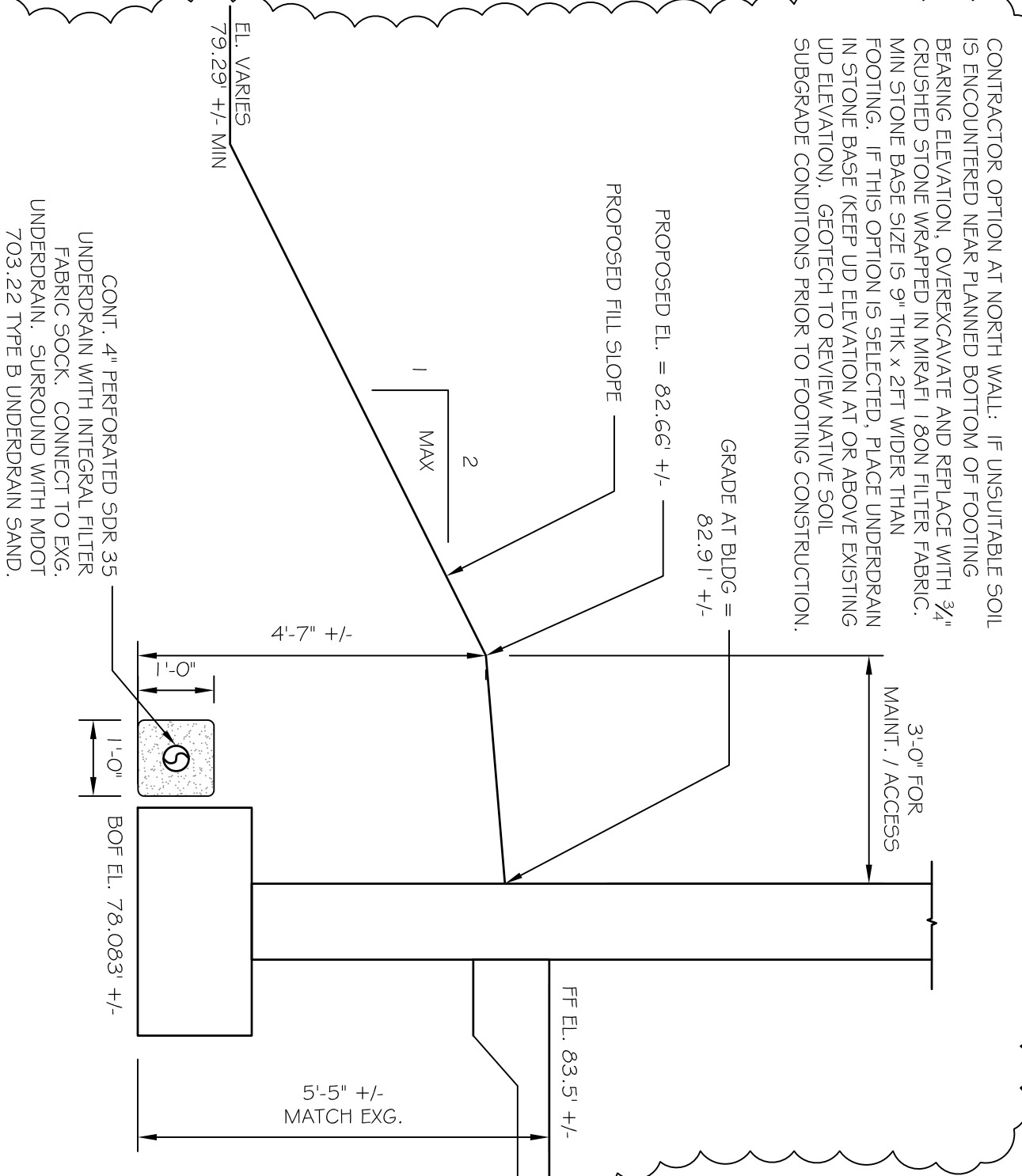
A3
COLUMN AND FOOTING AT INTERIOR
SCALE: 3/4" = 1'-0"



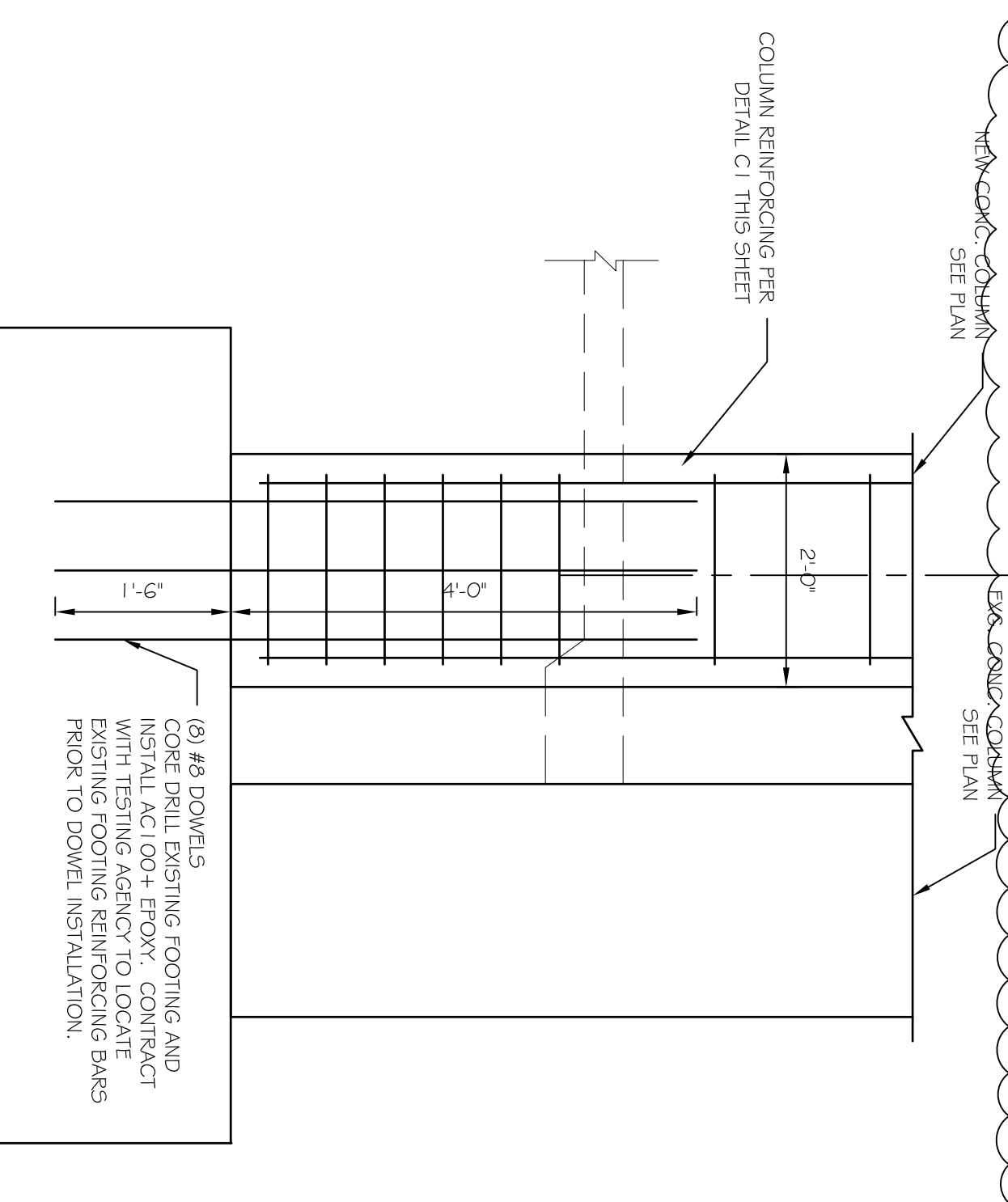
A2
COLUMN AND FOOTING AT EXTERIOR
SCALE: 3/4" = 1'-0"



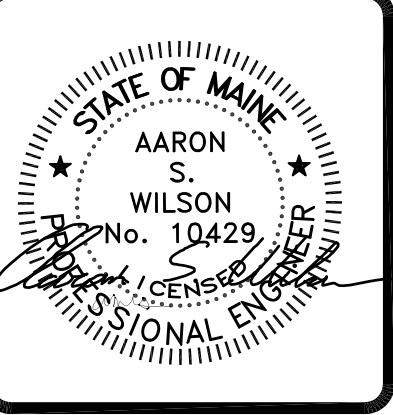
A1
NEW CONC. WALL TO EXISTING DETAIL
SCALE: 1/2" = 1'-0"



B4
PERIMETER GRADING AT NORTH WALL
SCALE: 1/2" = 1'-0"



A4
COLUMN AT EXISTING FOOTING
SCALE: 3/4" = 1'-0"

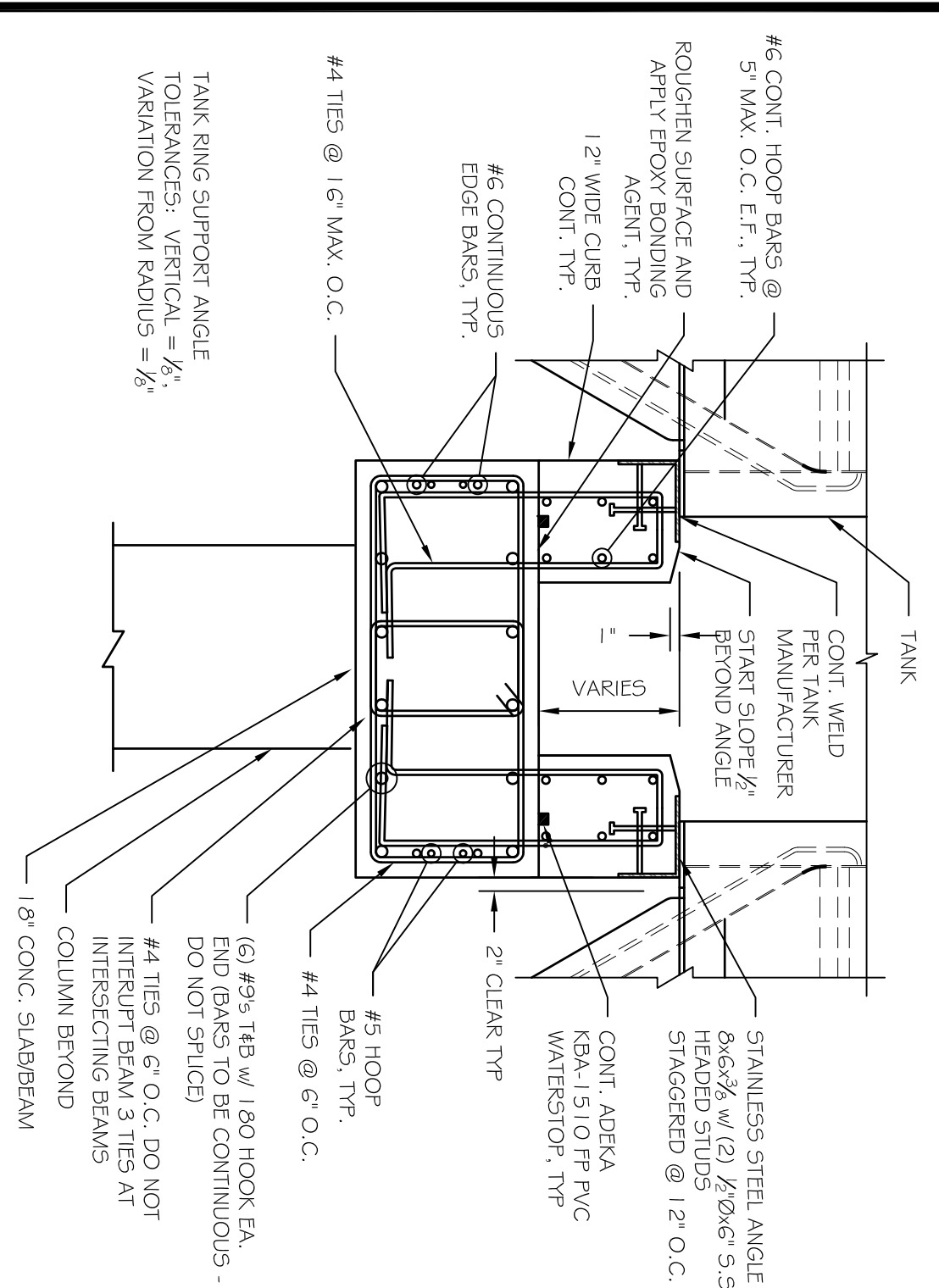


ASSOCIATED DESIGN PARTNERS INC.
80 Leighton Road Falmouth, Maine 04105
Office: (207) 878-1751
Fax: (207) 878-1788
E-Mail: adp@adpengineering.com

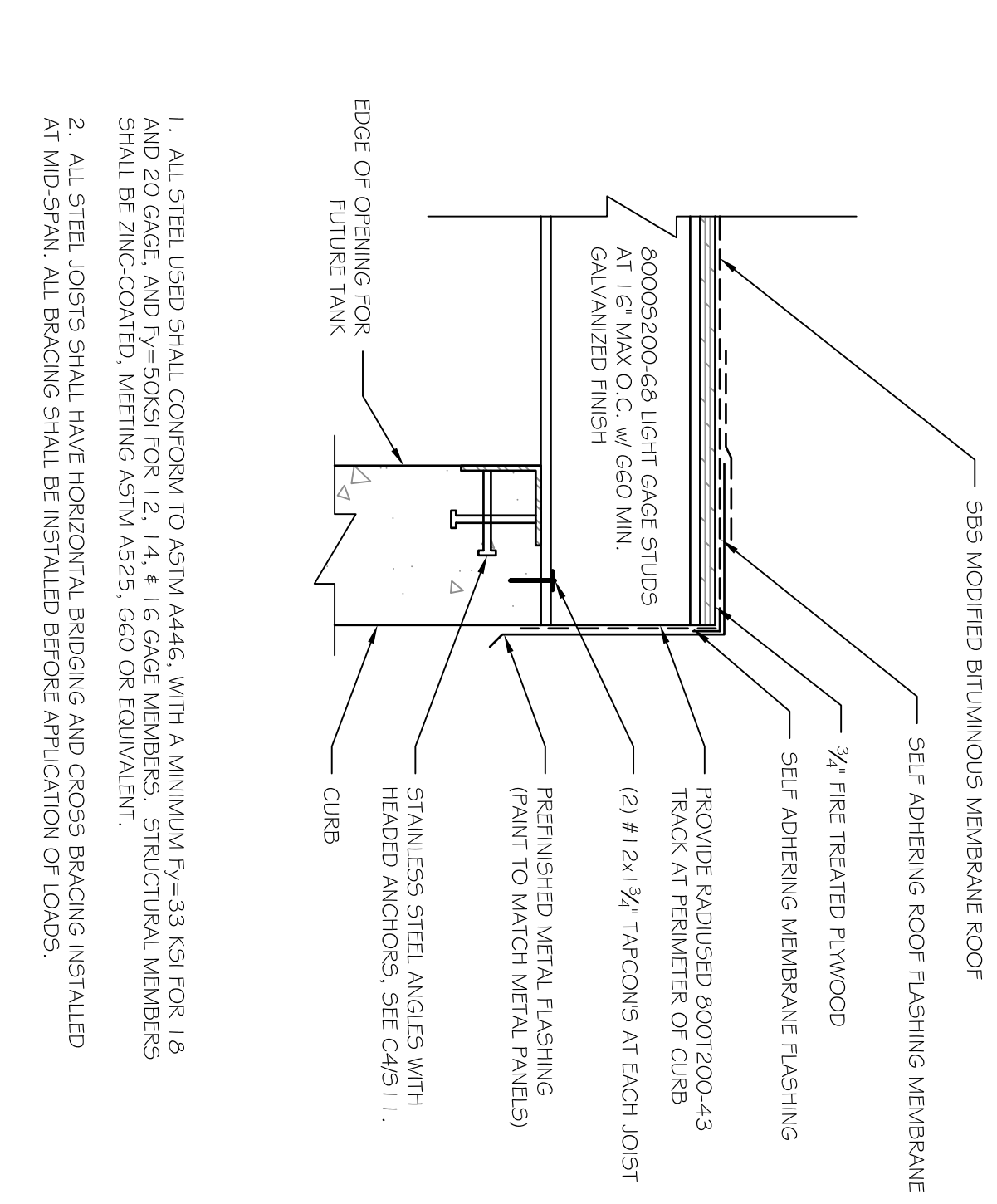
PROJECT: **ALLAGASH BREWERY FERMENTATION SUPPORT STRUCTURE**
FOR: ALLAGASH BREWING CO., 50 INDUSTRIAL WAY, PORTLAND ME
SHEET TITLE: **FOUNDATION AND COLUMN DETAILS ISSUED FOR CONSTRUCTION**

NO.	BY	DESCRIPTION	DATE
1	ASW	ADDENDUM #1	9/25/12
2	ASW	ISSUED FOR CONSTRUCTION	10/18/12

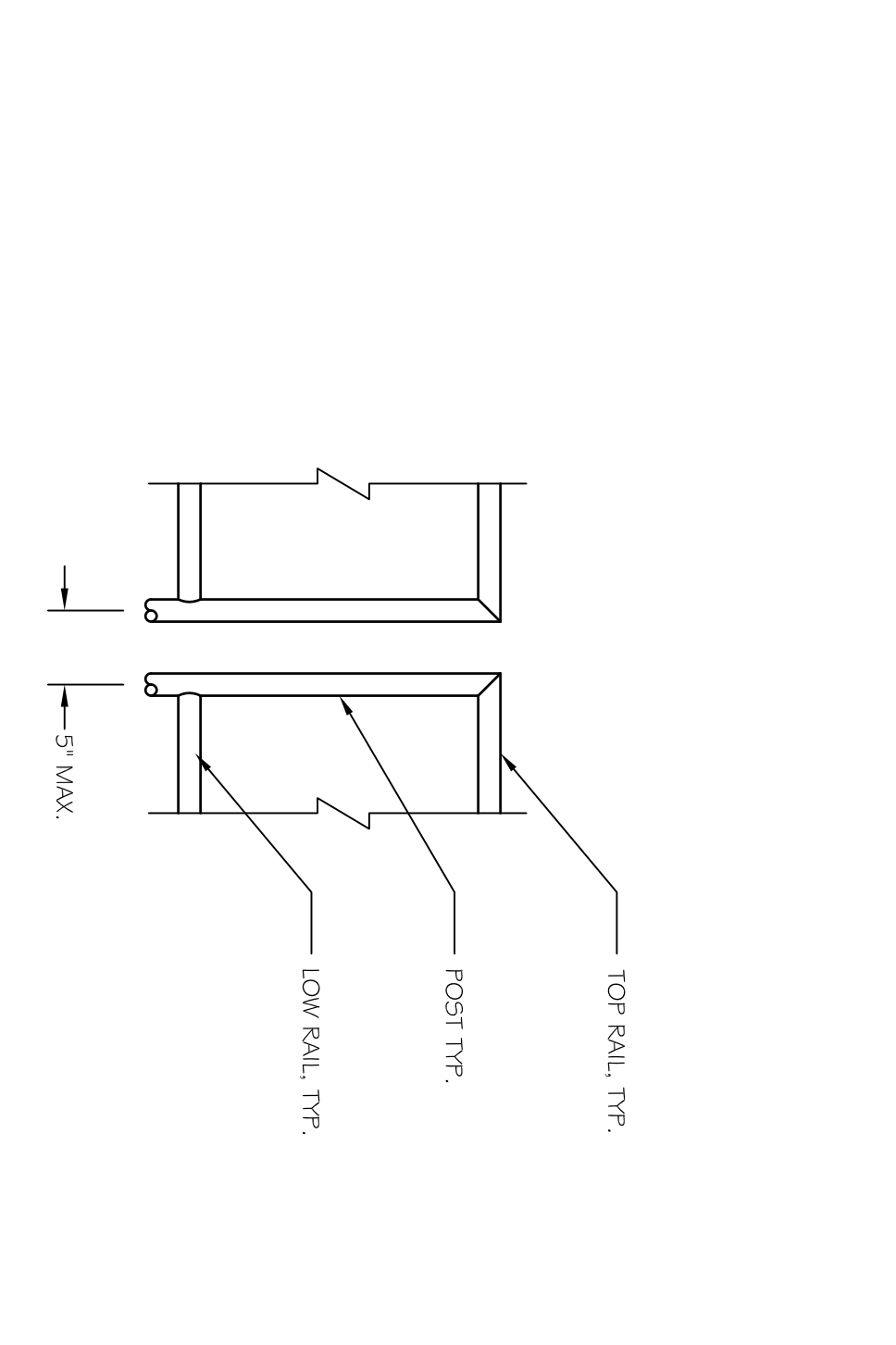
DATE: 9-17-12
SCALE: AS NOTED
DESIGN BY: ASW
DRAWN BY: BSC
PROJECT NUMBER: 12248
SHEET NO: S10



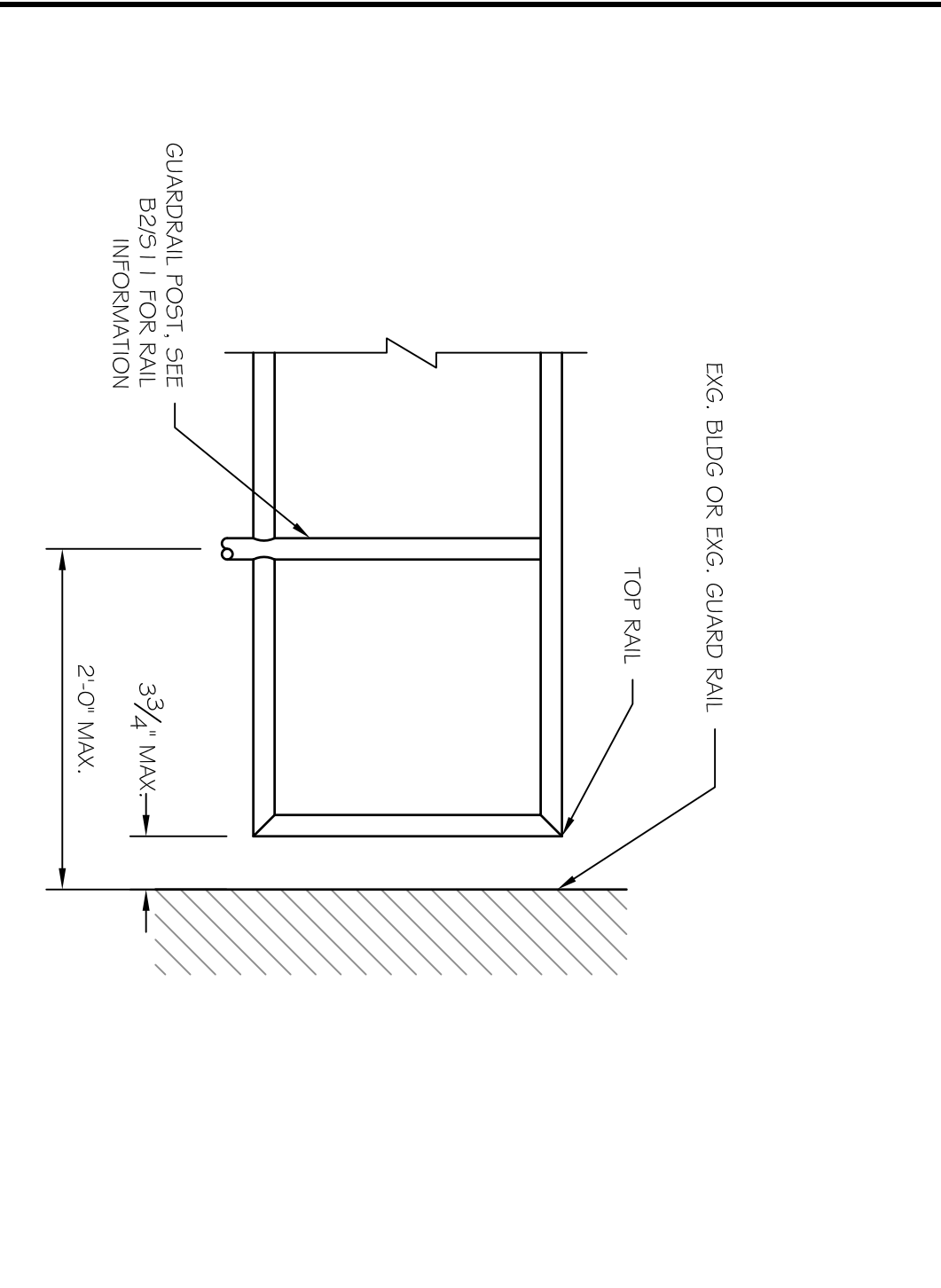
C4 DETAIL THRU TYP. CURB AND BEAM 3
SCALE: 3/4" = 1'-0"



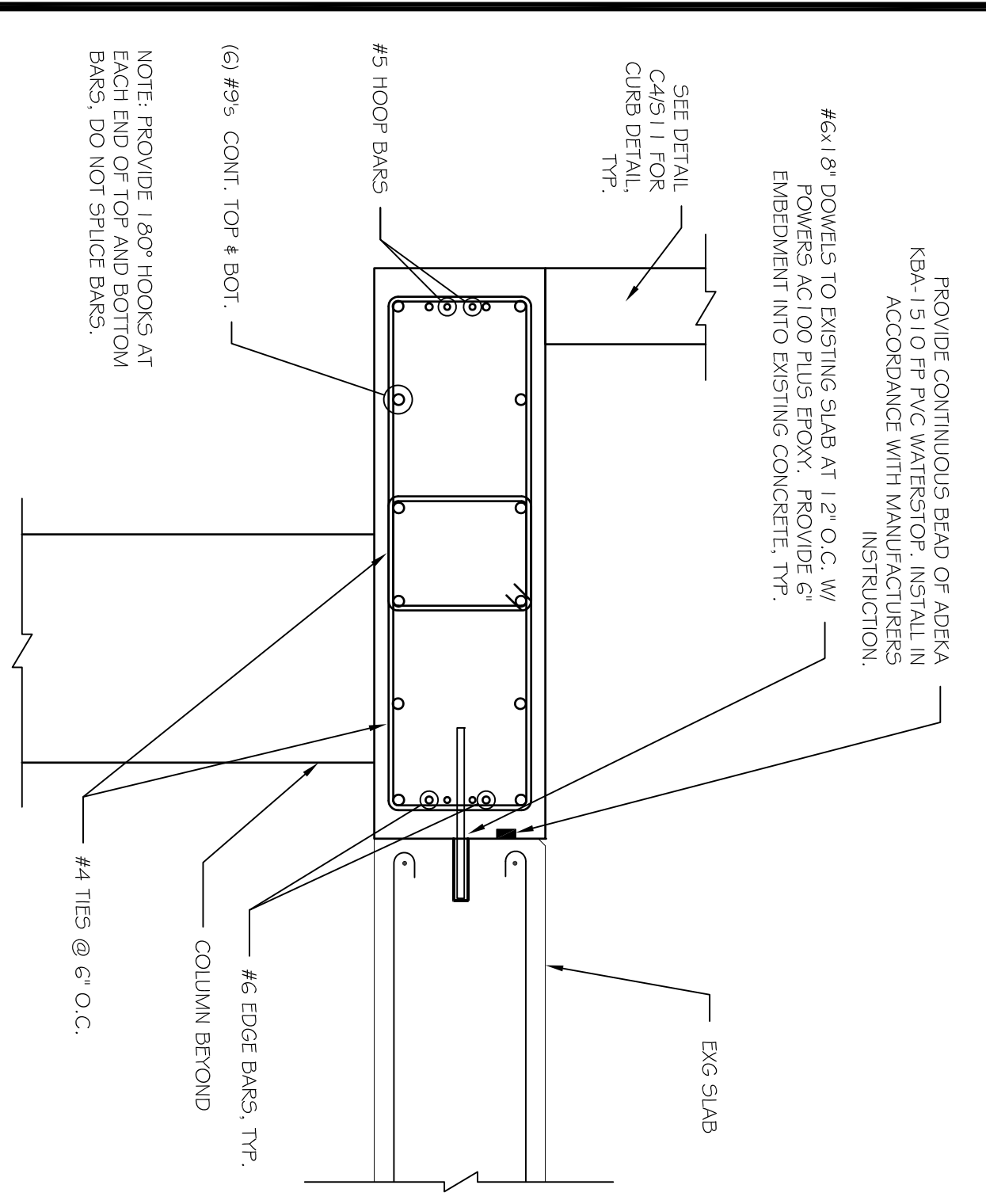
C3 TEMPORARY OPENING COVER DETAIL
SCALE: 1/2" = 1'-0"



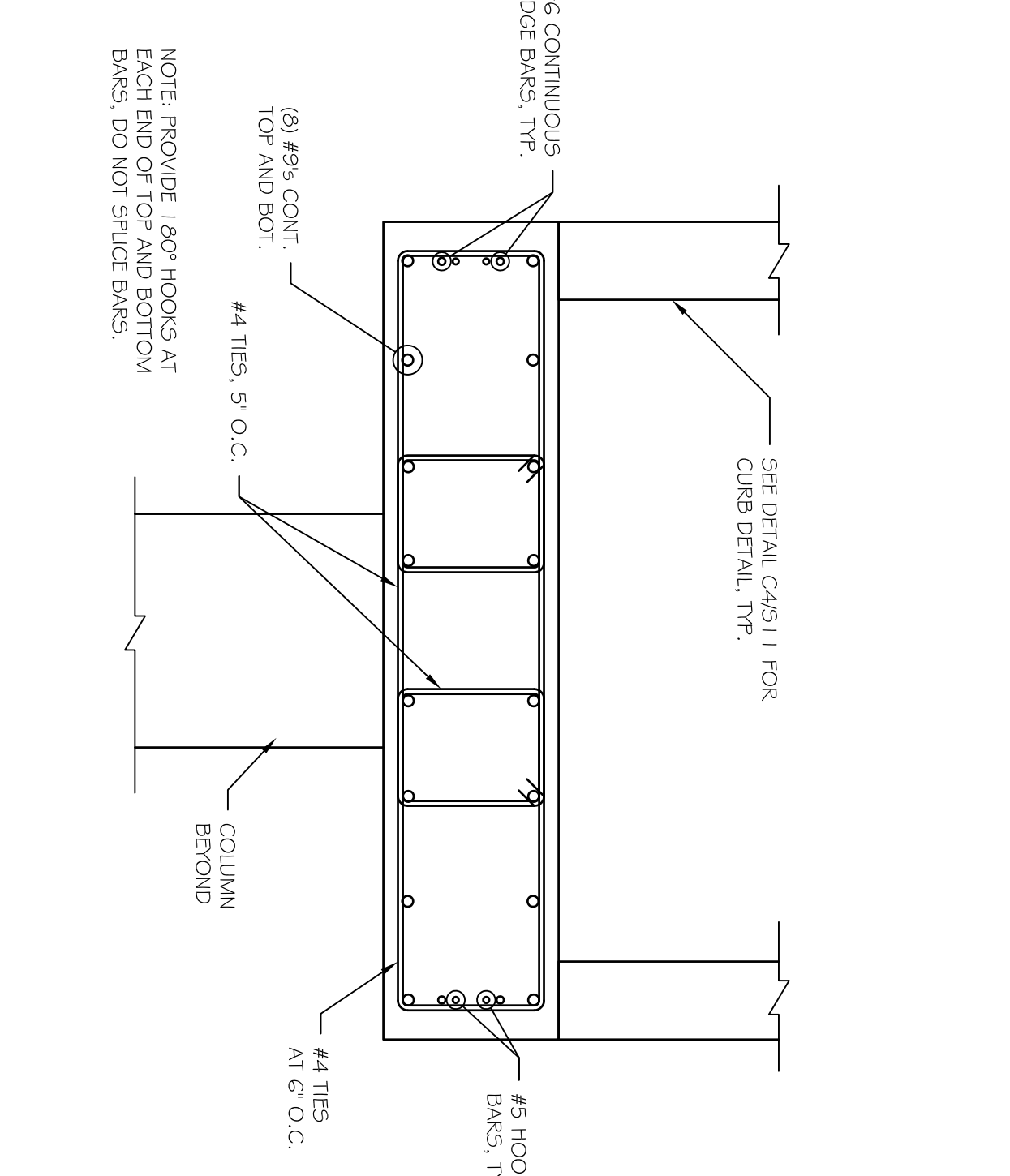
C2 POSTS AT REMOVABLE GUARDRAIL
SCALE: 1" = 1'-0"



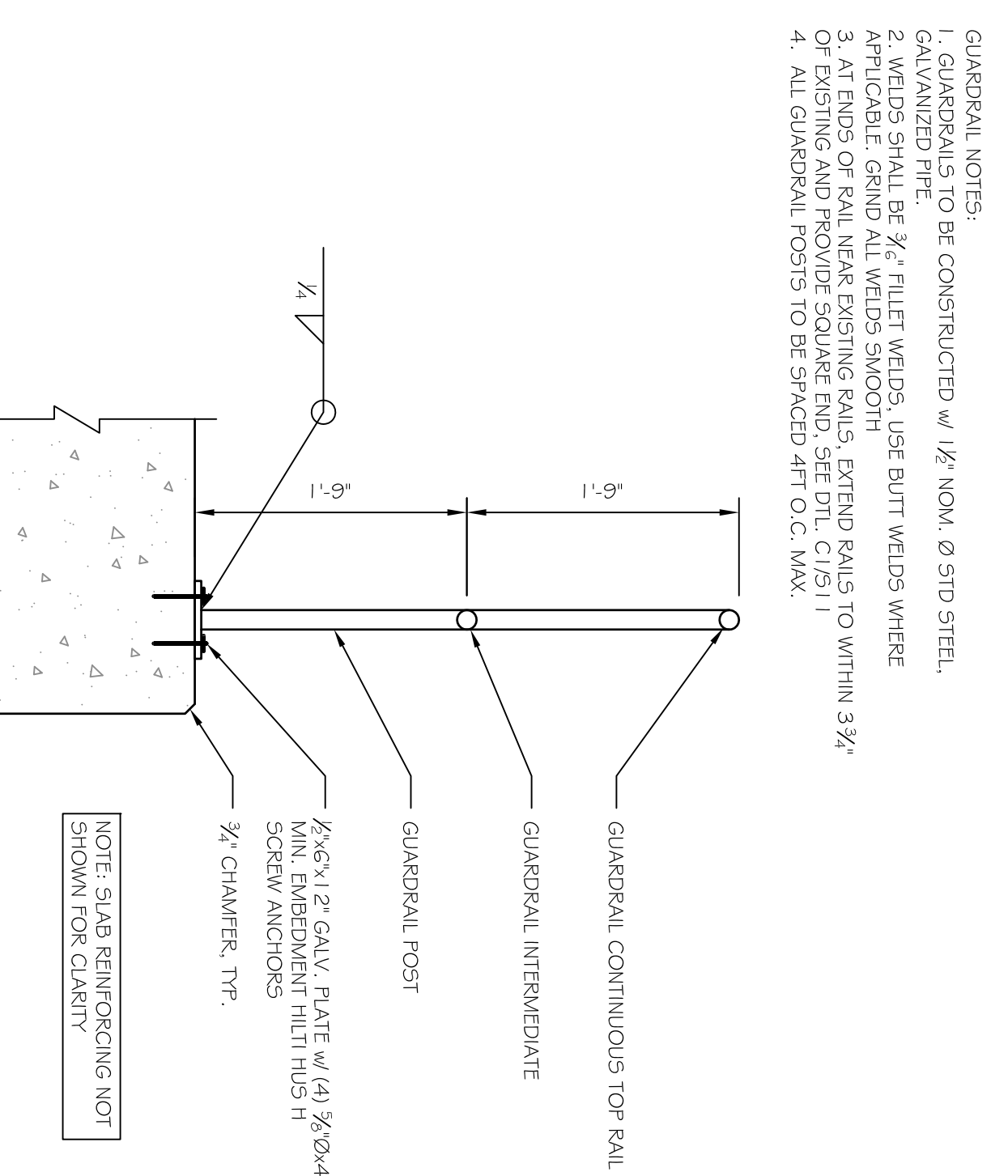
C1 GUARDRAIL EXTENSION DETAIL
SCALE: 1" = 1'-0"



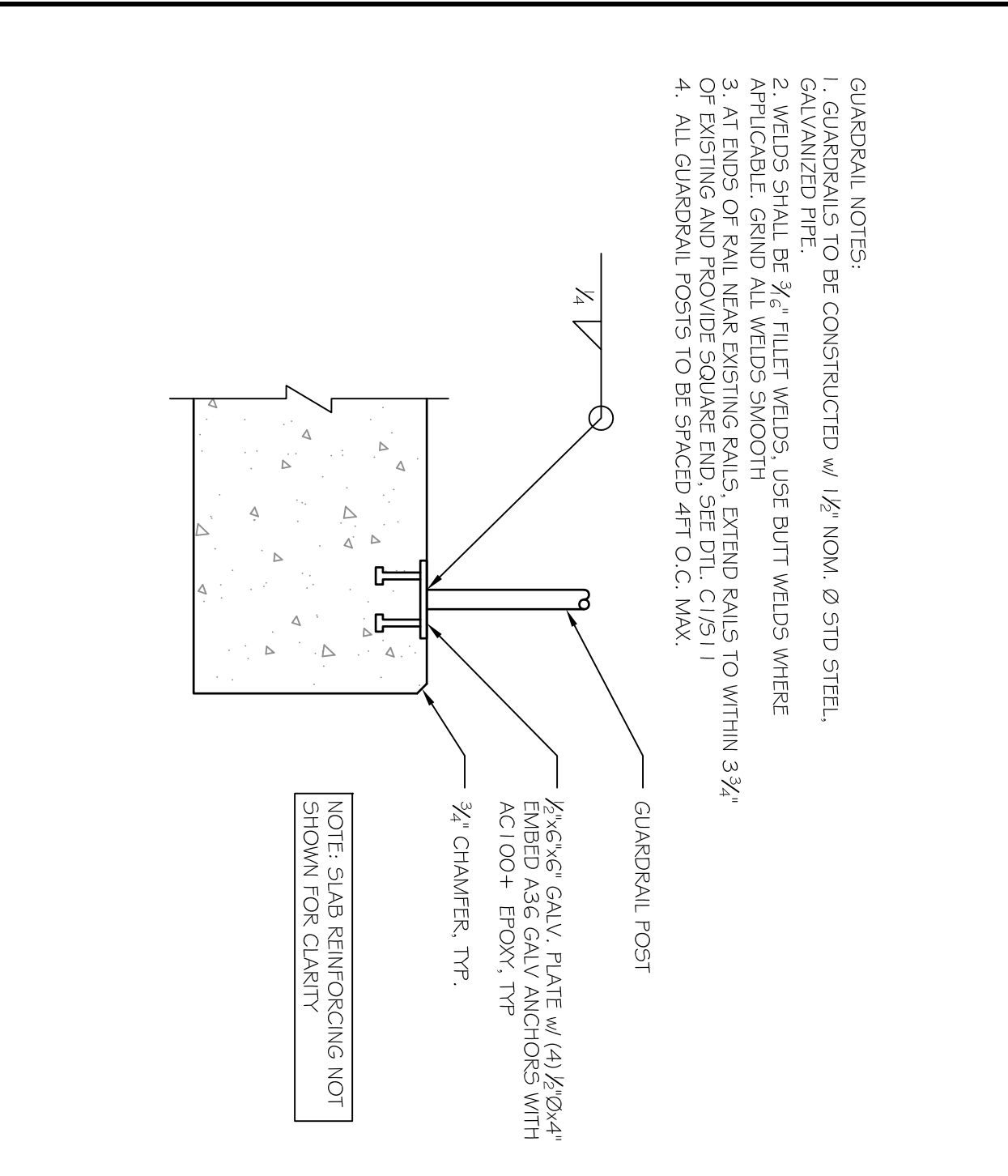
B4 BEAM 2 SCHEMATIC REINFORCING LAYOUT
SCALE: 3/4" = 1'-0"



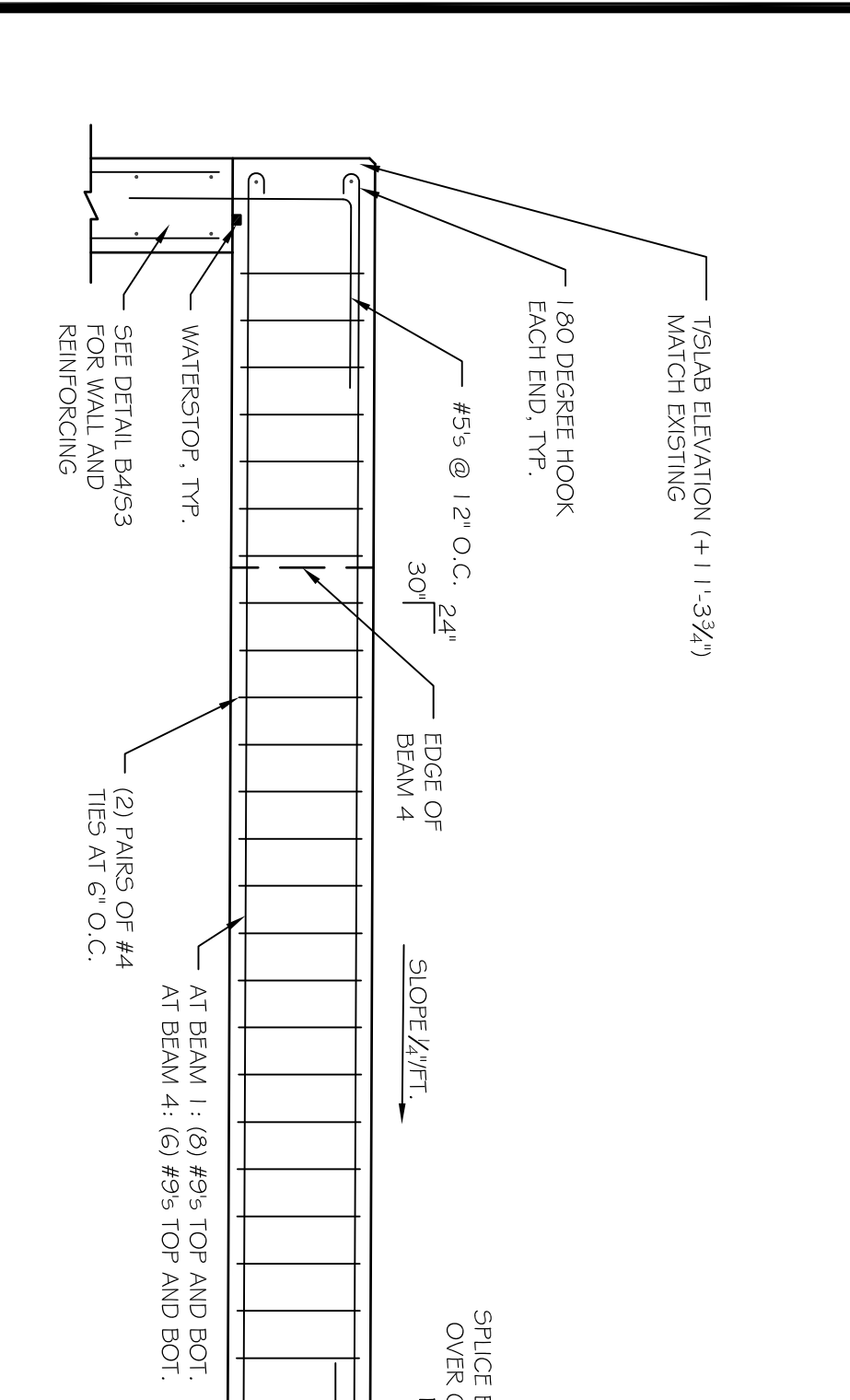
B3 BEAM 1 SCHEMATIC REINFORCING LAYOUT
SCALE: 3/4" = 1'-0"



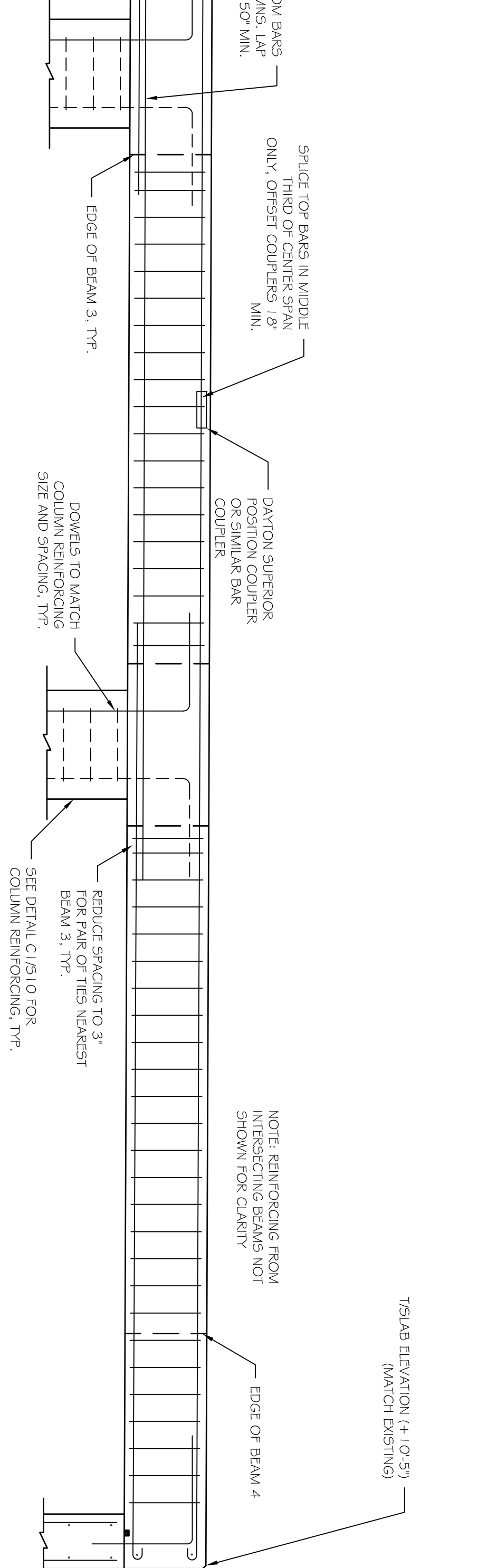
B2 REMOVABLE GUARDRAIL BASE
SCALE: 1" = 1'-0"



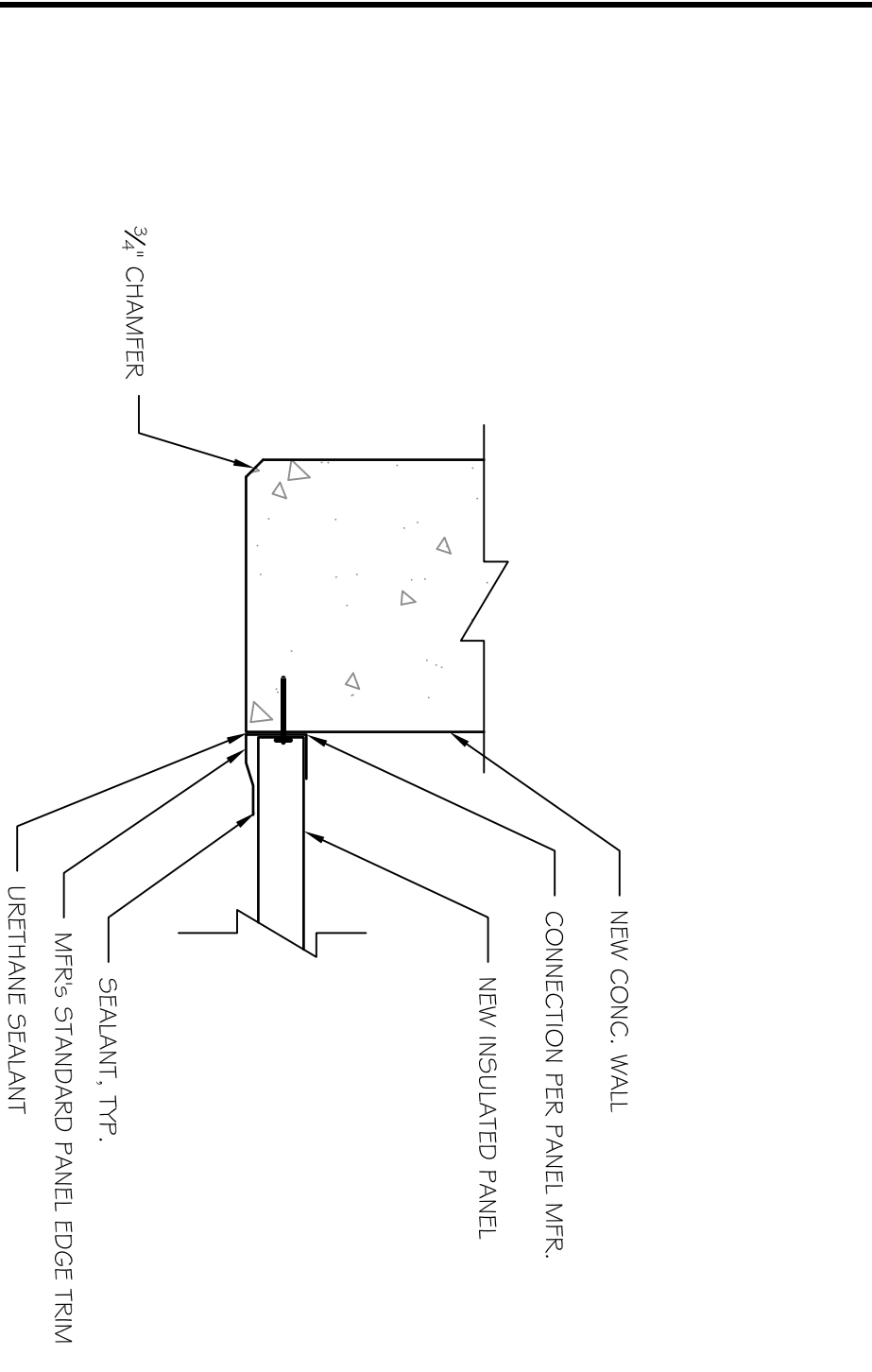
B1 PERMANENT GUARDRAIL BASE
SCALE: 1" = 1'-0"



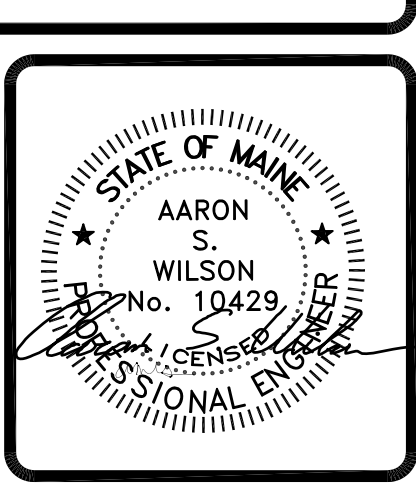
A4 BEAM 1 & 2 REINFORCING ELEVATION
SCALE: 1/2" = 1'-0"



A1 PANEL TO CONC. WALL JOINT DETAIL
SCALE: 1/2" = 1'-0"



A1 PANEL TO CONC. WALL JOINT DETAIL
SCALE: 1/2" = 1'-0"



ASSOCIATED DESIGN PARTNERS INC.
80 Leighton Road Falmouth, Maine 04105
Office: (207) 878-1751
Fax: (207) 878-1788
E-Mail: adp@adpengineering.com

PROJECT: **ALLAGASH BREWERY FERMENTATION SUPPORT STRUCTURE**
FOR: ALLAGASH BREWING CO., 50 INDUSTRIAL WAY, PORTLAND ME
SHEET TITLE: **STRUCTURAL DETAILS ISSUED FOR CONSTRUCTION**

REVISIONS		
No.	BY	DESCRIPTION
1	ASW	ADDENDUM #1
2	ASW	ISSUED FOR CONSTRUCTION

DATE: 9-17-12
SCALE: AS NOTED
DESIGN BY: ASW
DRAWN BY: BSC
FILE #: 12180-S1
PROJECT NUMBER:
12248
SHEET NO.:
S11

