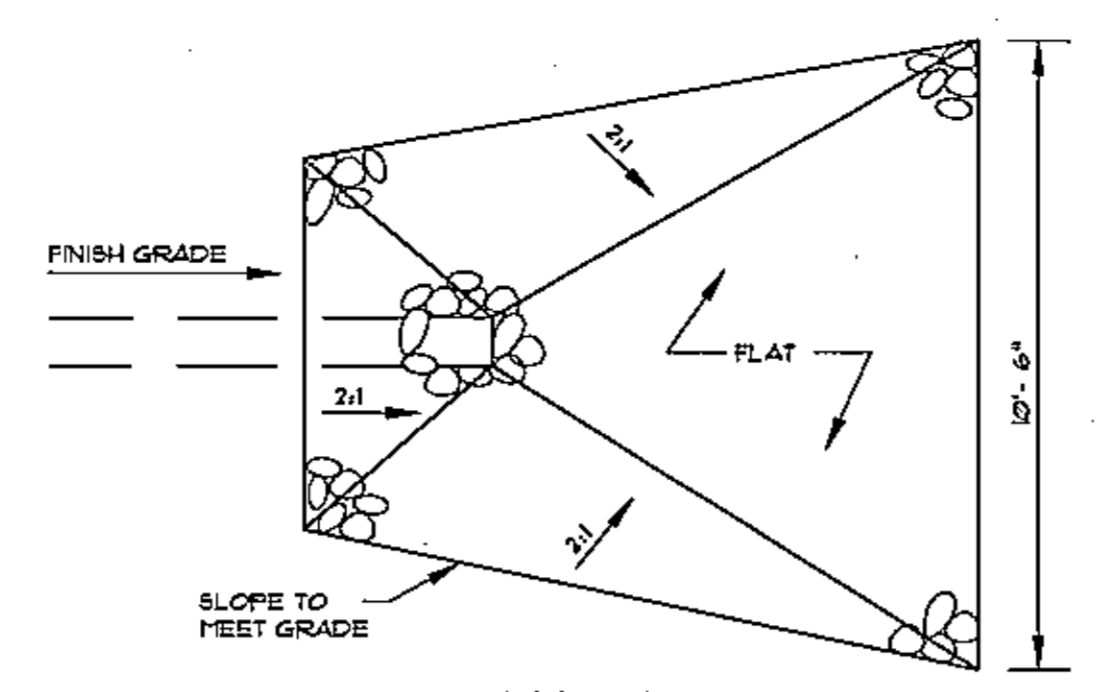


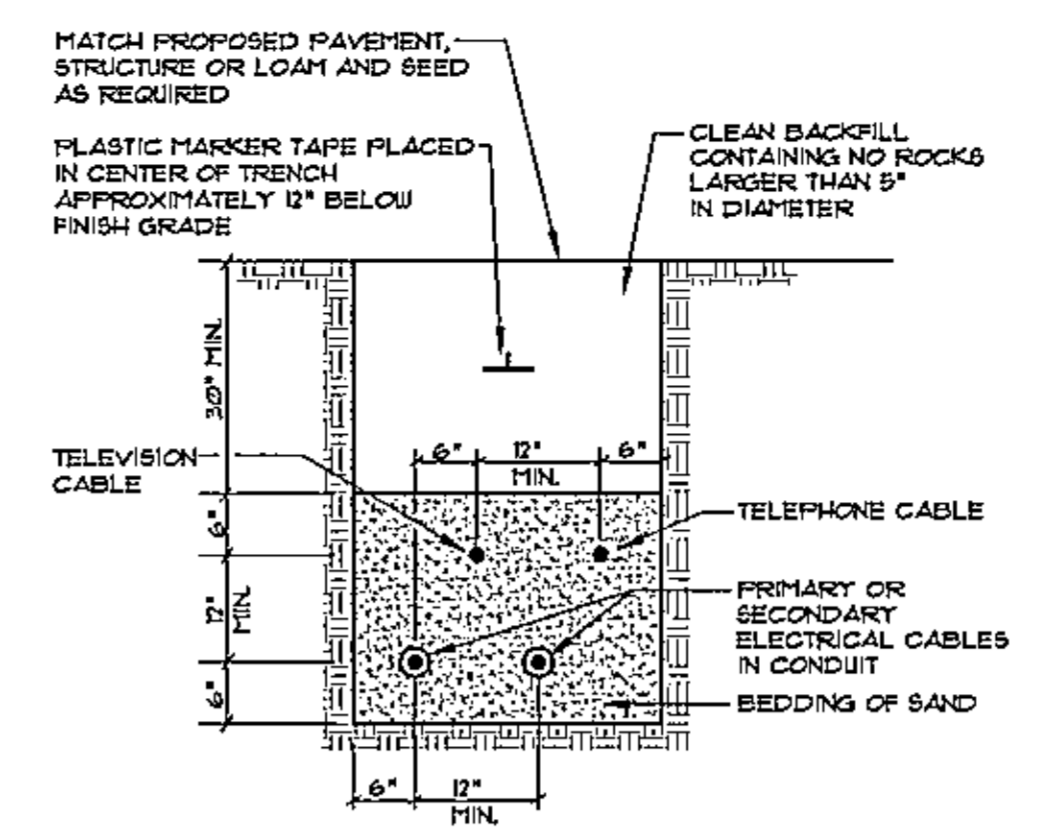
ELEVATIONS IN FEET

	A	B	C
	12.6	13.2	13.6

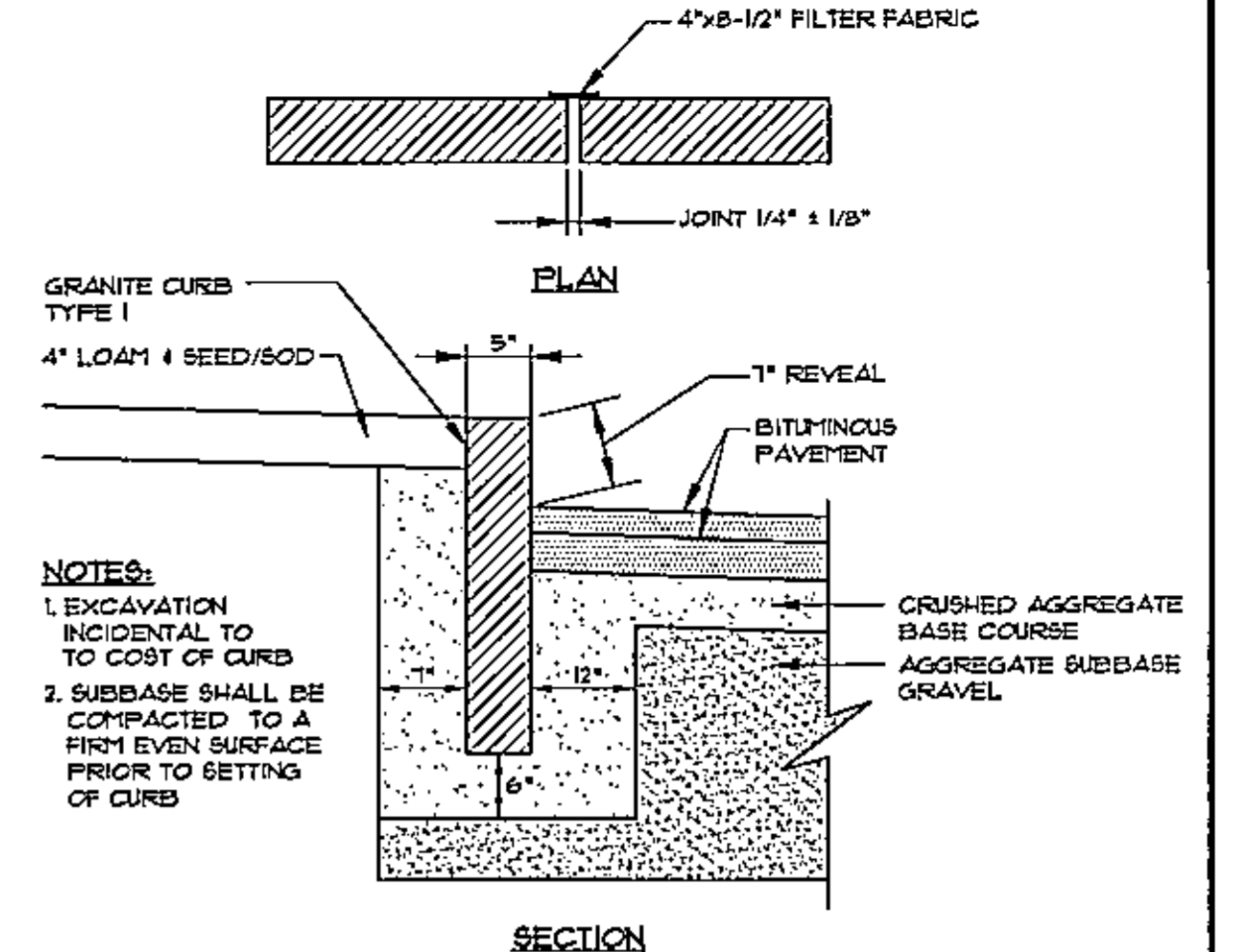
**TYPICAL POND SAFETY BENCH/
GRAVEL FILTER DETAIL**
NOT TO SCALE



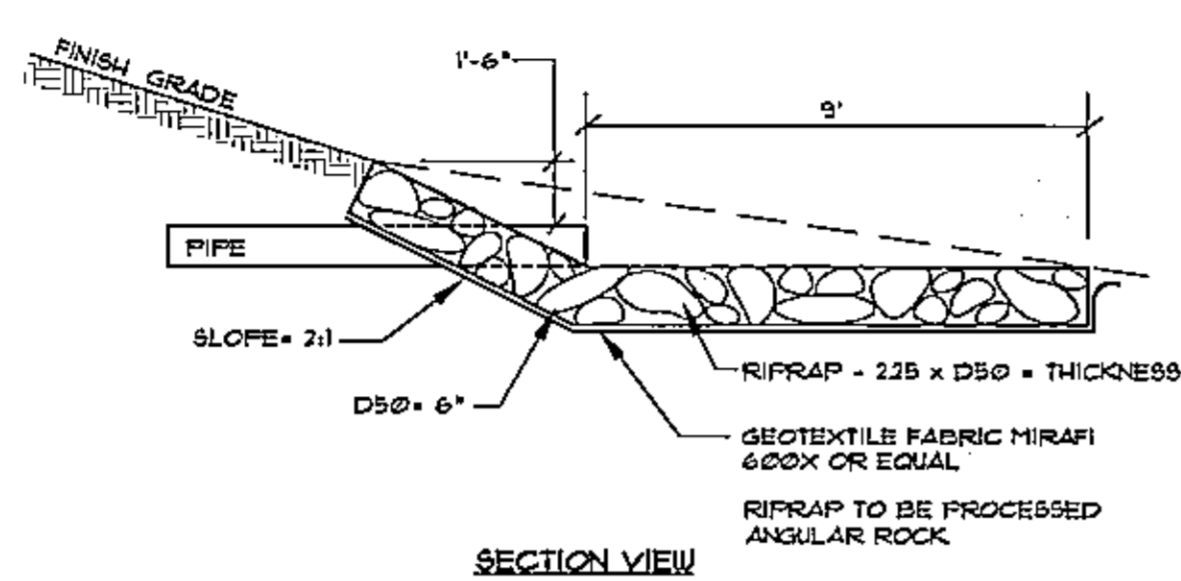
TYPICAL TRENCH SECTION
NOT TO SCALE



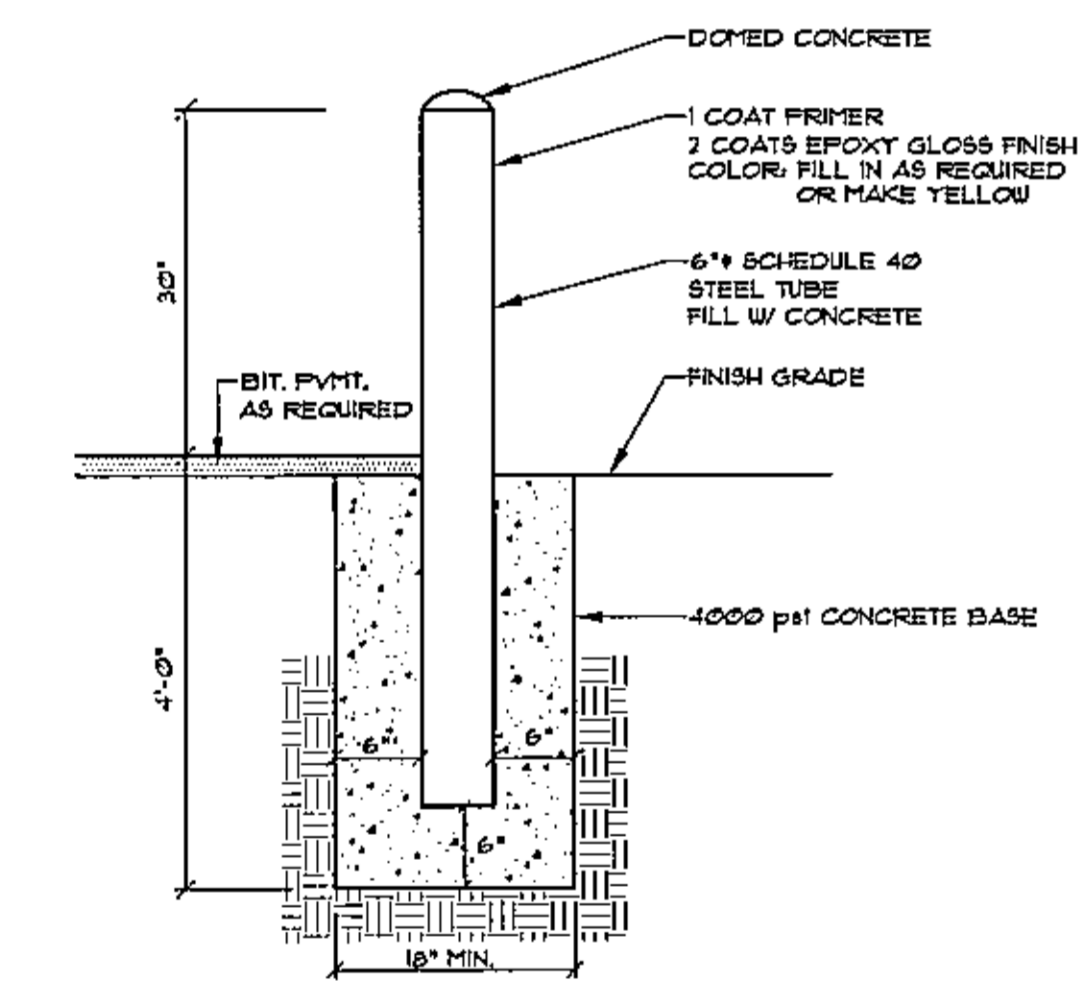
**TYPICAL UNDERGROUND
CABLE INSTALLATION**
NOT TO SCALE



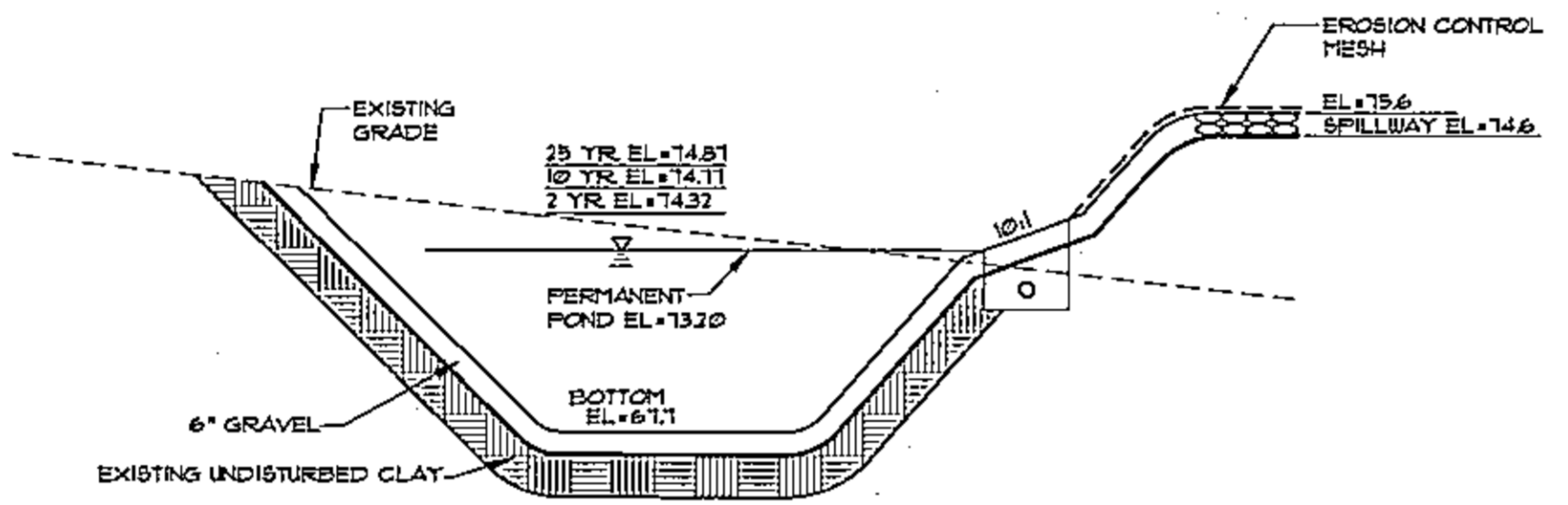
VERTICAL GRANITE CURB
NOT TO SCALE



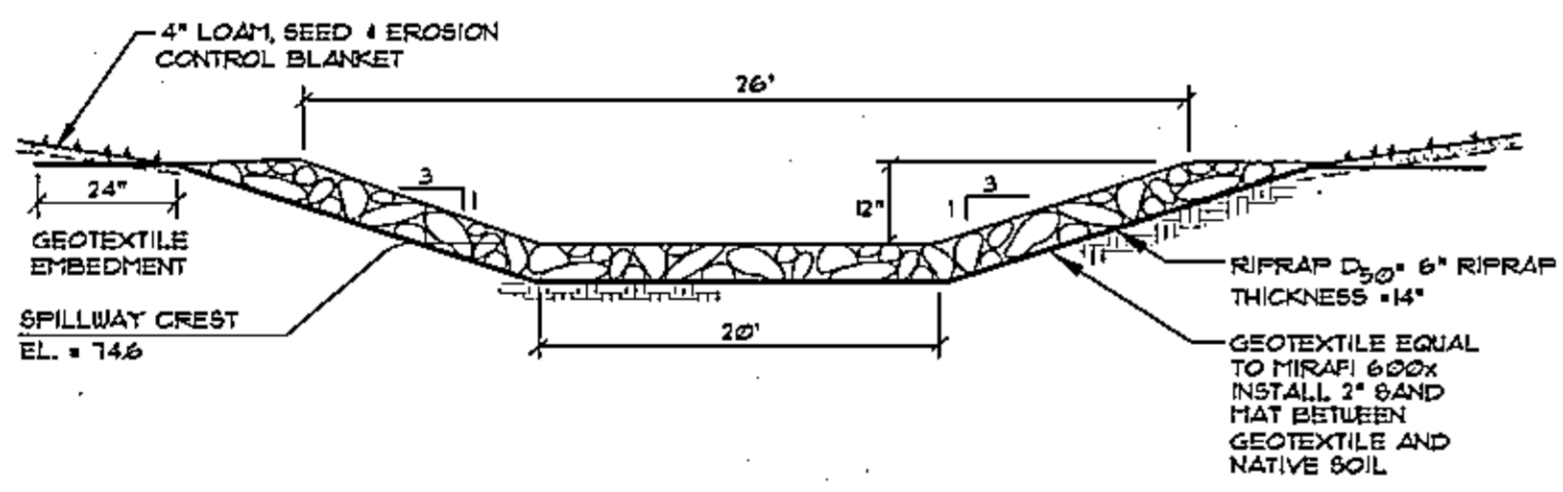
RIPRAP APRON
NOT TO SCALE



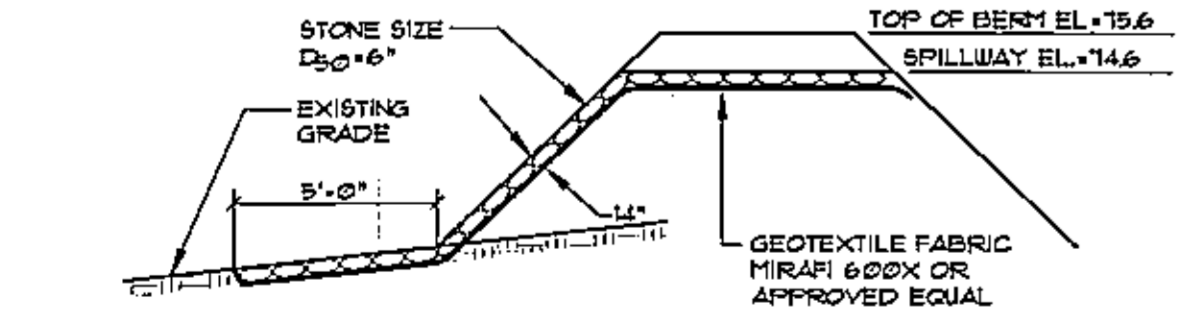
METAL BOLLARD
NOT TO SCALE



CONSTRUCTION SECTION AT WETPOND
NOT TO SCALE

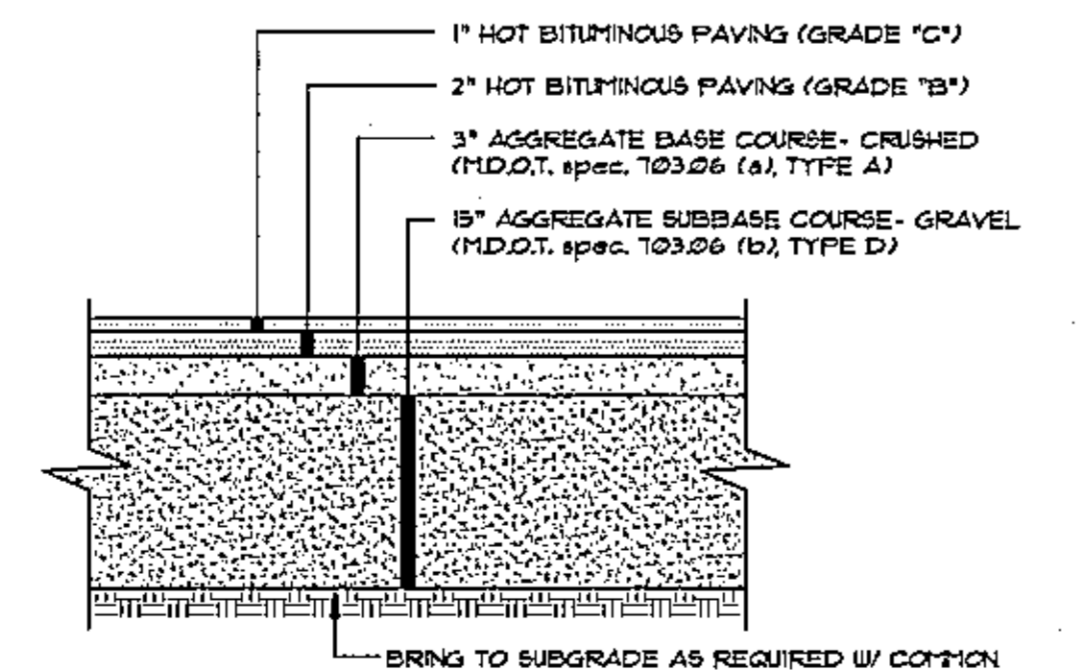


EMERGENCY SPILLWAY CROSS-SECTION
NOT TO SCALE



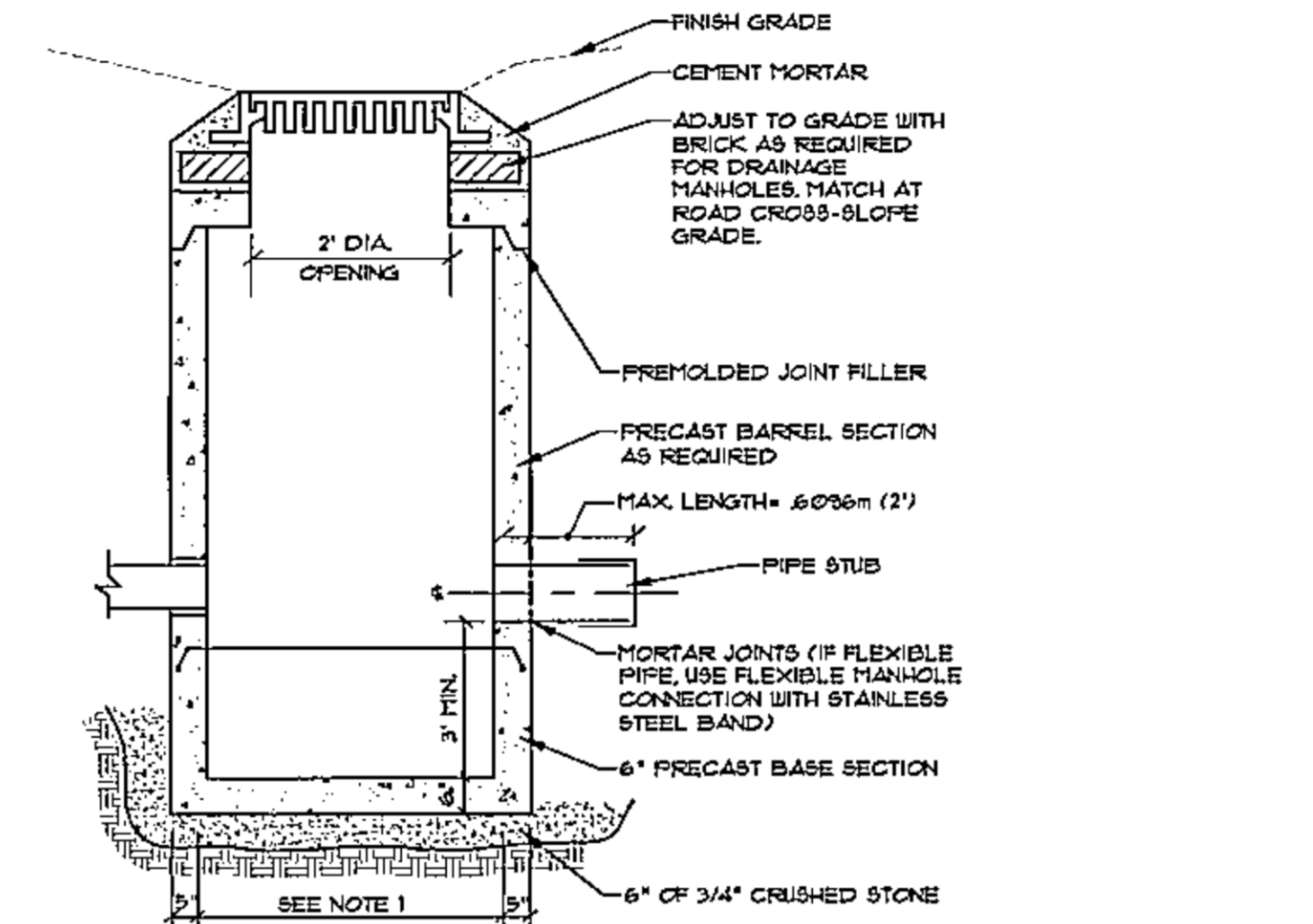
- EMBANKMENT CONSTRUCTION**
1. CONSTRUCTION OF COMMON BORROW MATERIAL MEETING M.D.O.T. SPECIFICATION.
 2. PLACE BORROW MATERIAL IN 12\"/>

SPILLWAY SECTION
NOT TO SCALE



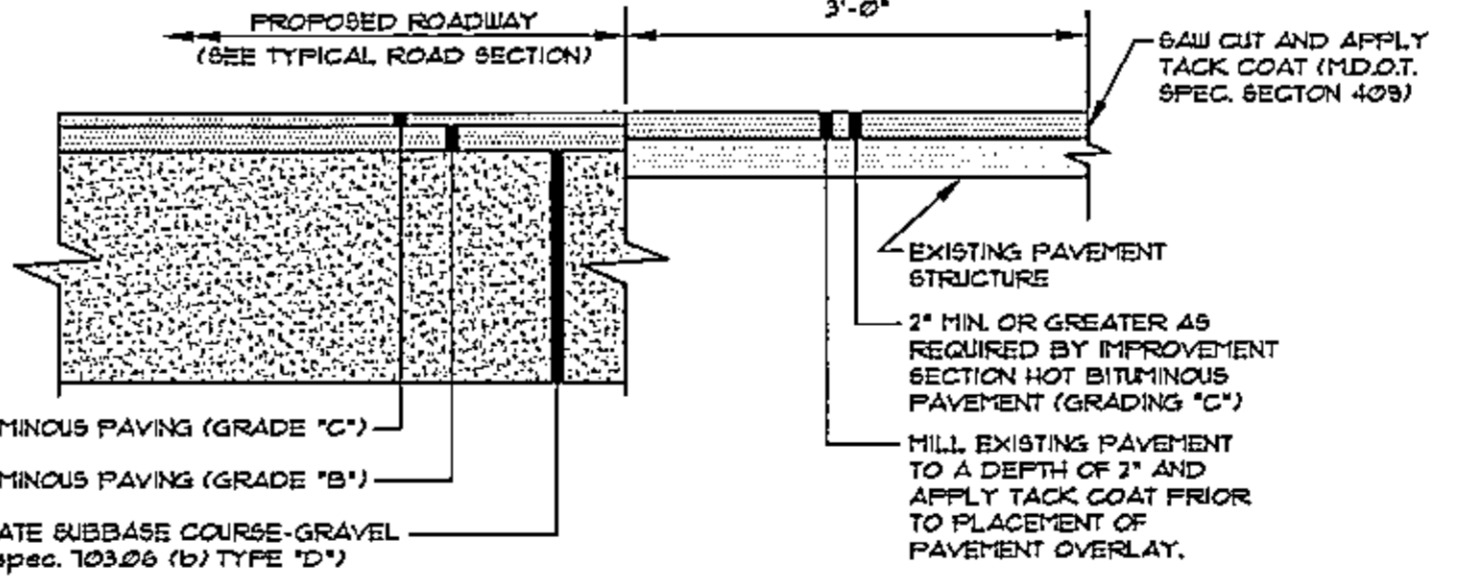
- NOTES:**
1. COMPACT GRAVEL SUBBASE BASE COURSE TO 95% OF MAXIMUM DENSITY USING HEAVY ROLLER COMPACTION.
 2. CONTRACTOR SHALL SET GRADE STAKES MARKING SUBBASE AND FINISH GRADE ELEVATIONS FOR CONSTRUCTION REFERENCE.

TYP. PAVED PARKING LOT SECTION
NOT TO SCALE

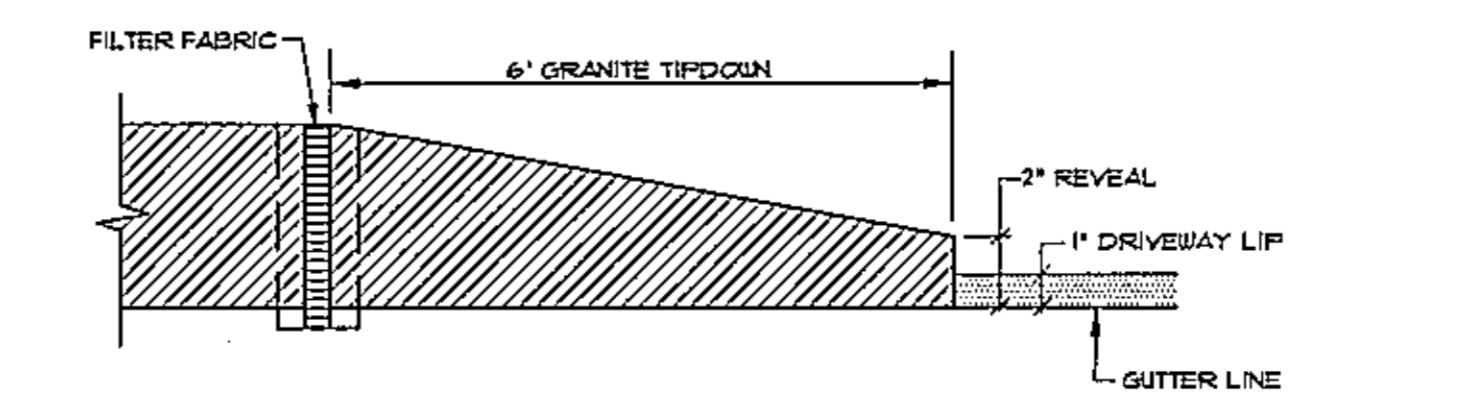


- NOTES:**
1. 4\"/>

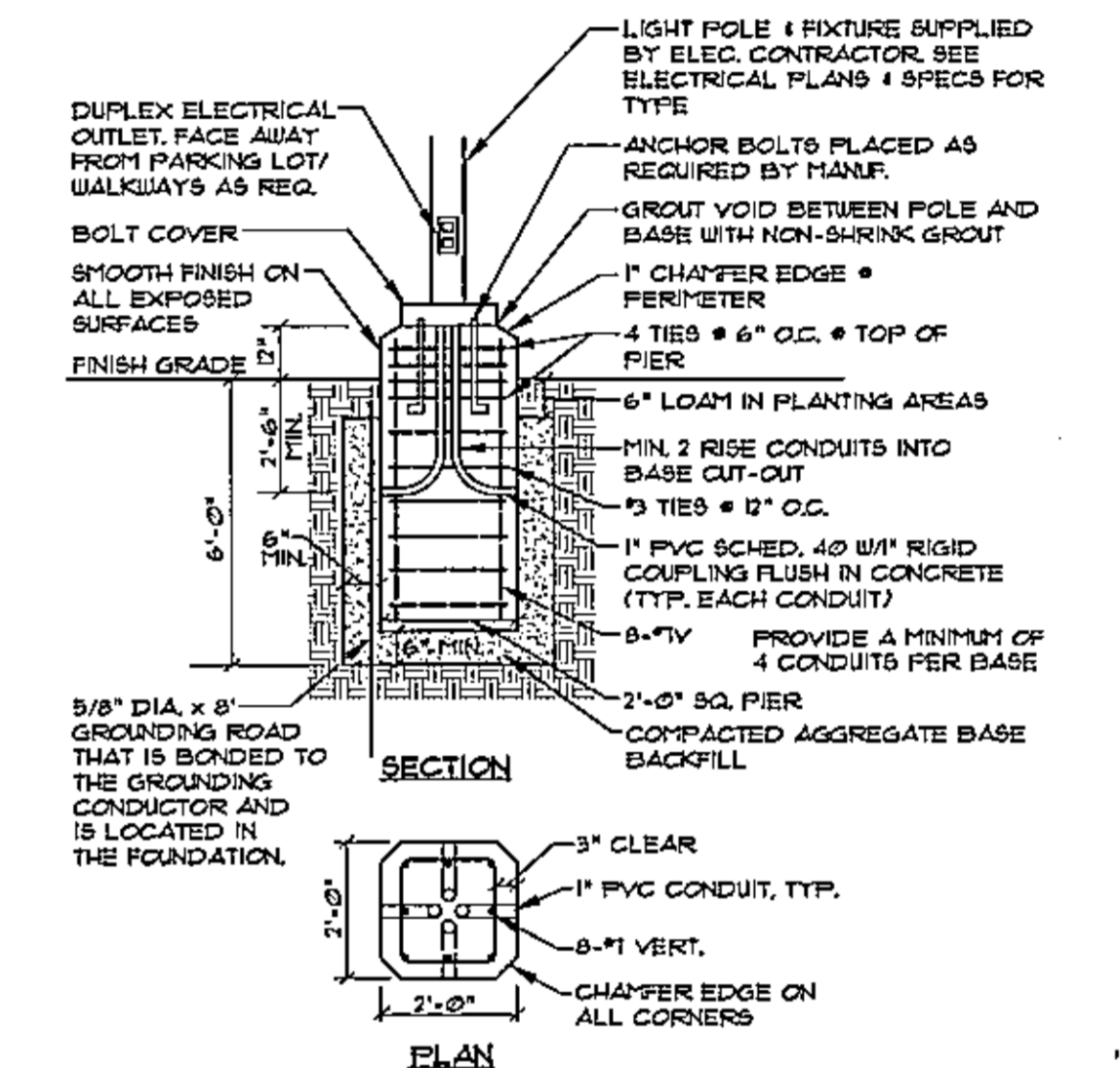
TYP. DRAINAGE STRUCTURE & CATCH BASIN
NOT TO SCALE



TYPICAL PAVEMENT JOINT
NOT TO SCALE

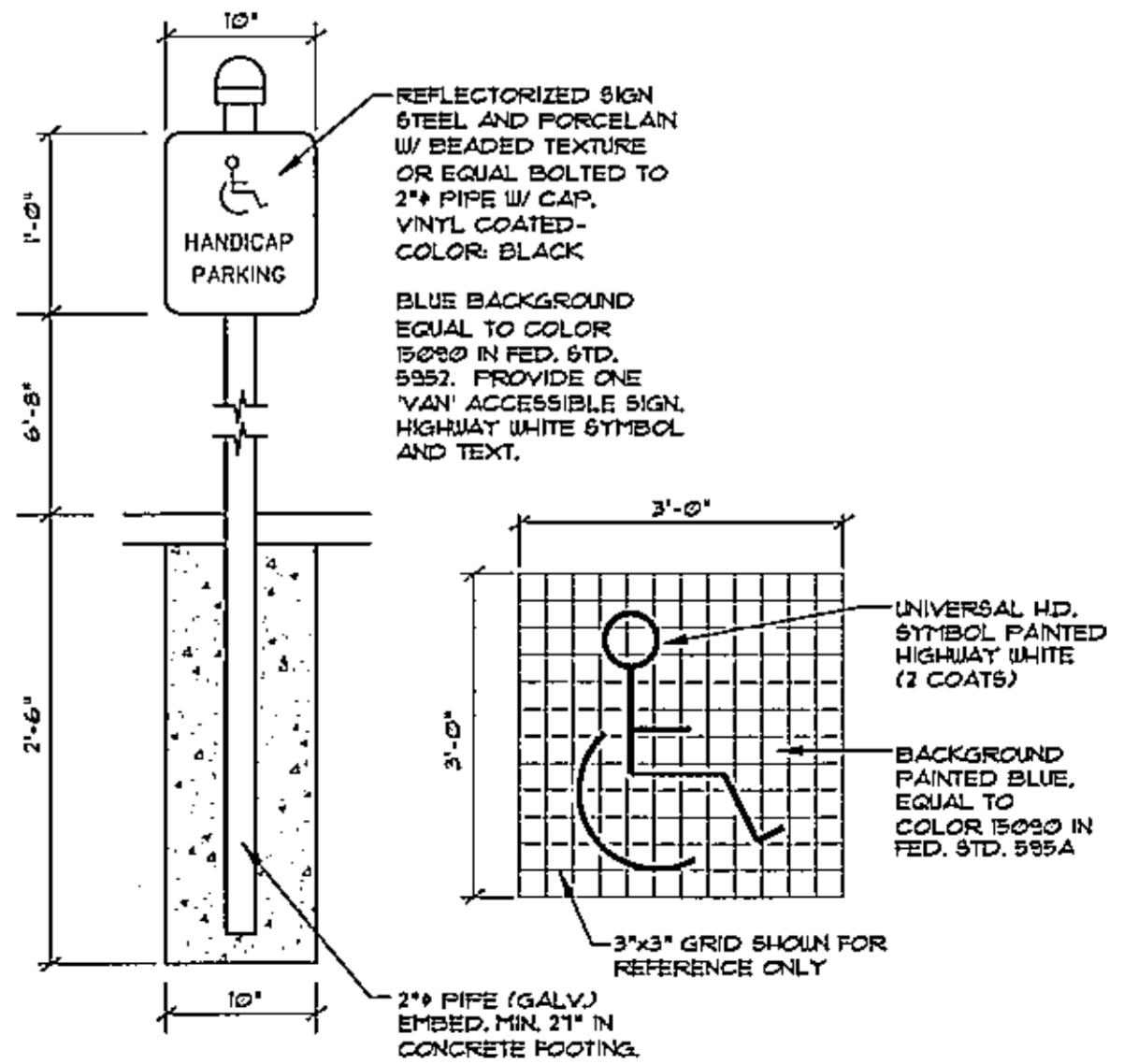


TYPICAL TIPDOWN CURB INSTALLATION
NOT TO SCALE

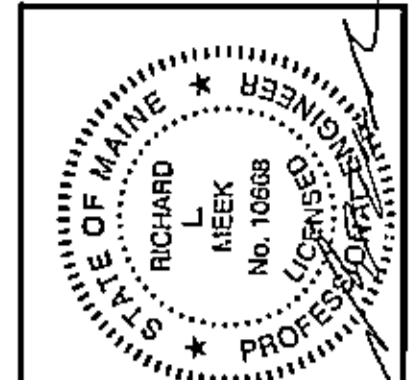


- NOTES:**
1. CONCRETE 15,000 PSI.
 2. REIN. STEEL GRADE 60 NEW BARS.
 3. CONCRETE 3/4\"/>

LIGHT POLE BASE
NOT TO SCALE



HANDICAP SIGNS
NOT TO SCALE



REV.	BY:	DATE:	STATUS:
C	RLM	08/08/12	REVISED PER CONDITIONS OF APPROVAL
B	RLM	08/10/12	REVISED PER CITY REVIEW COMMENTS
A	RLM	07/06/12	PRELIMINARY SITE PLAN SUBMISSION TO CITY

SEBAGO ELECTRONICS
WWW.SEBOGOTECHNICS.COM TEL: 207-858-5808
75 John Rolland, ME 04108
South Portland, ME 04106
Tel: 207-765-5858

PROJECT NO. 02249
DESIGN CHKD RLM
FIELD BOOK 847
DRAWN JAR

DETAILS OF:
ALLAGASH BREWING COMPANY
INDUSTRIAL WAY
PORTLAND, MAINE
FOR:
50 INDUSTRIAL WAY, LLC
50 INDUSTRIAL WAY
PORTLAND, MAINE 04103

DATE	SCALE
08/19/12	N.T.S.

SHEET 8 OF 8

022-49D.dwg