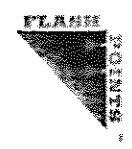
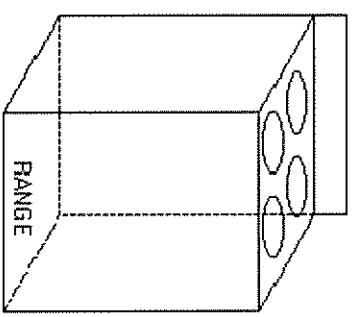
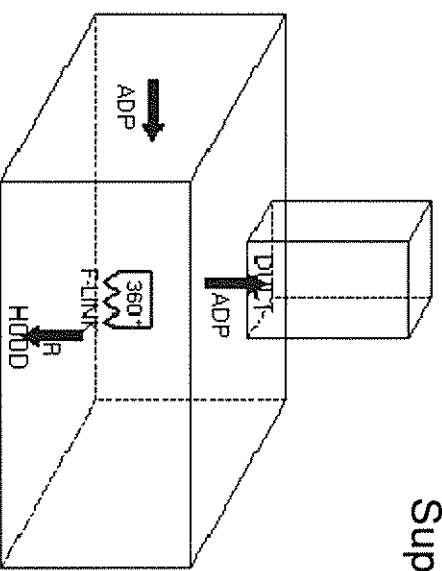
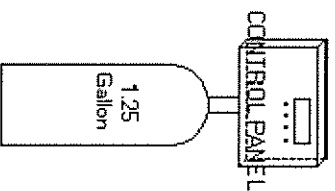


Range Guard Wet
 Chemical Systems
 Pre-Engineered Fire
 Suppression System



Designed & Installed by:
 Firesafe Equipment
 PO Box 1355
 Auburn, ME 04211
 207-784-7525

For:
 SPURWINK

Lic #:	
Designer:	
Job #:	
Date:	7/1/2015

Stamp