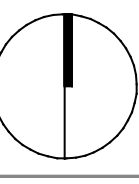
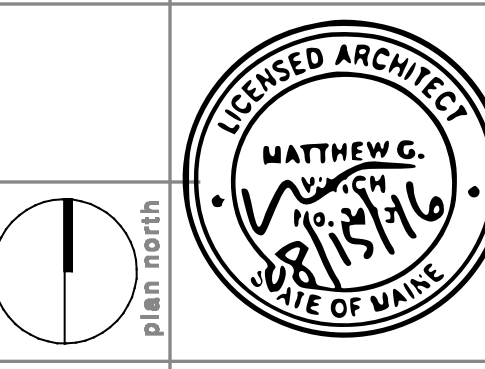
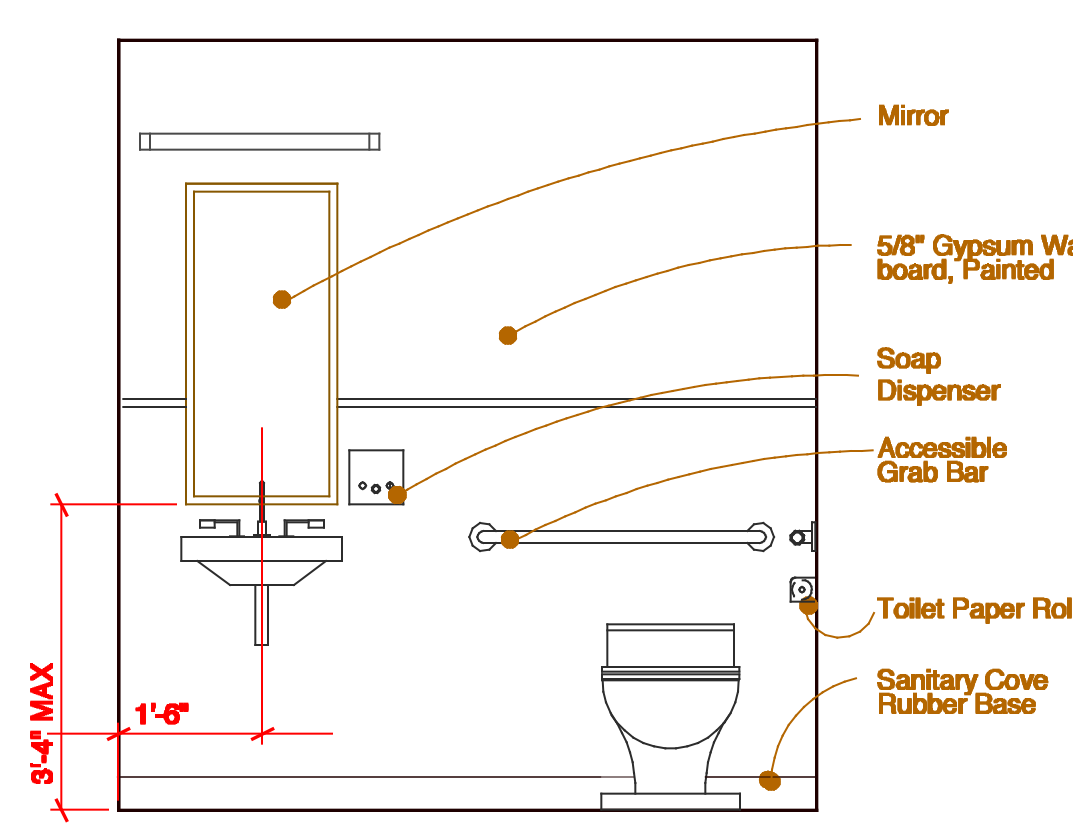


date

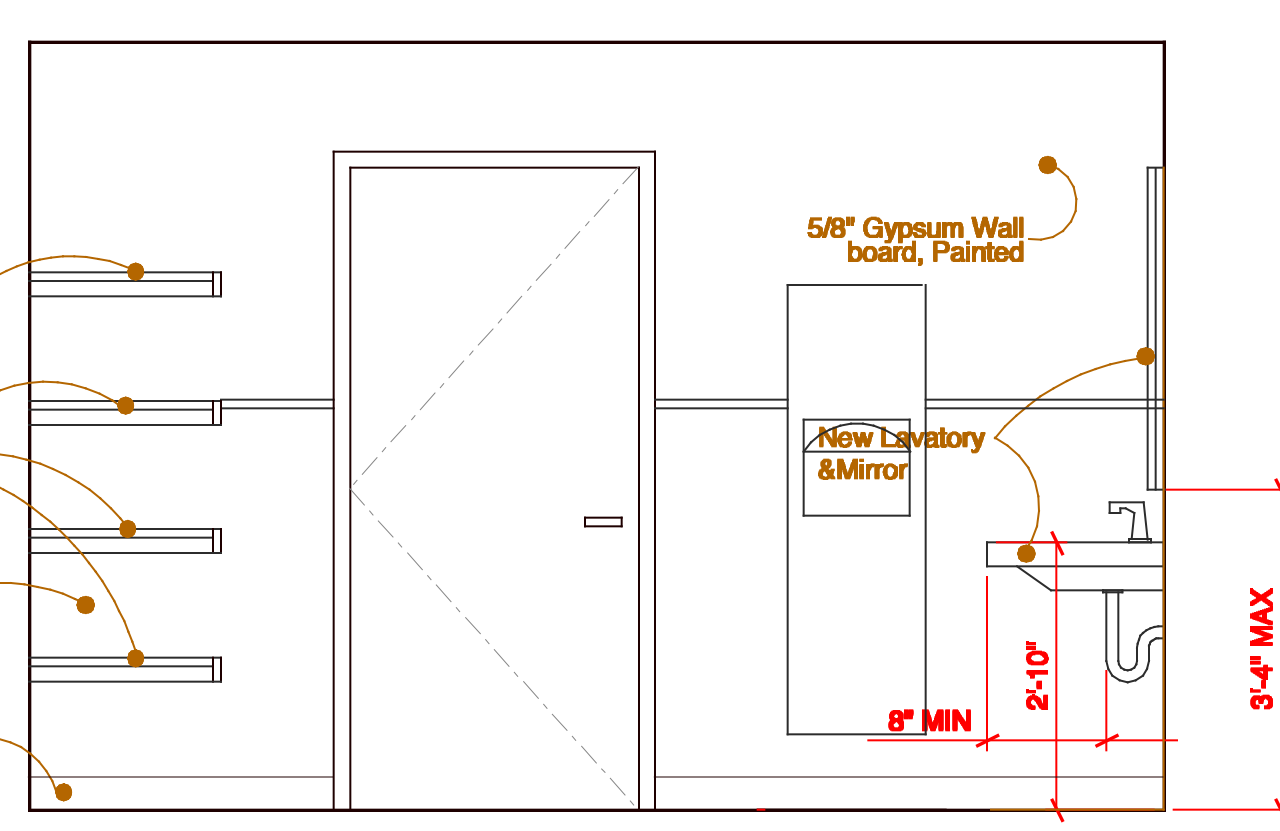
project name  
**Spurwink Services  
Kaufman House  
Renovation**  
project location  
899 Riverside Street  
Portland, Maine



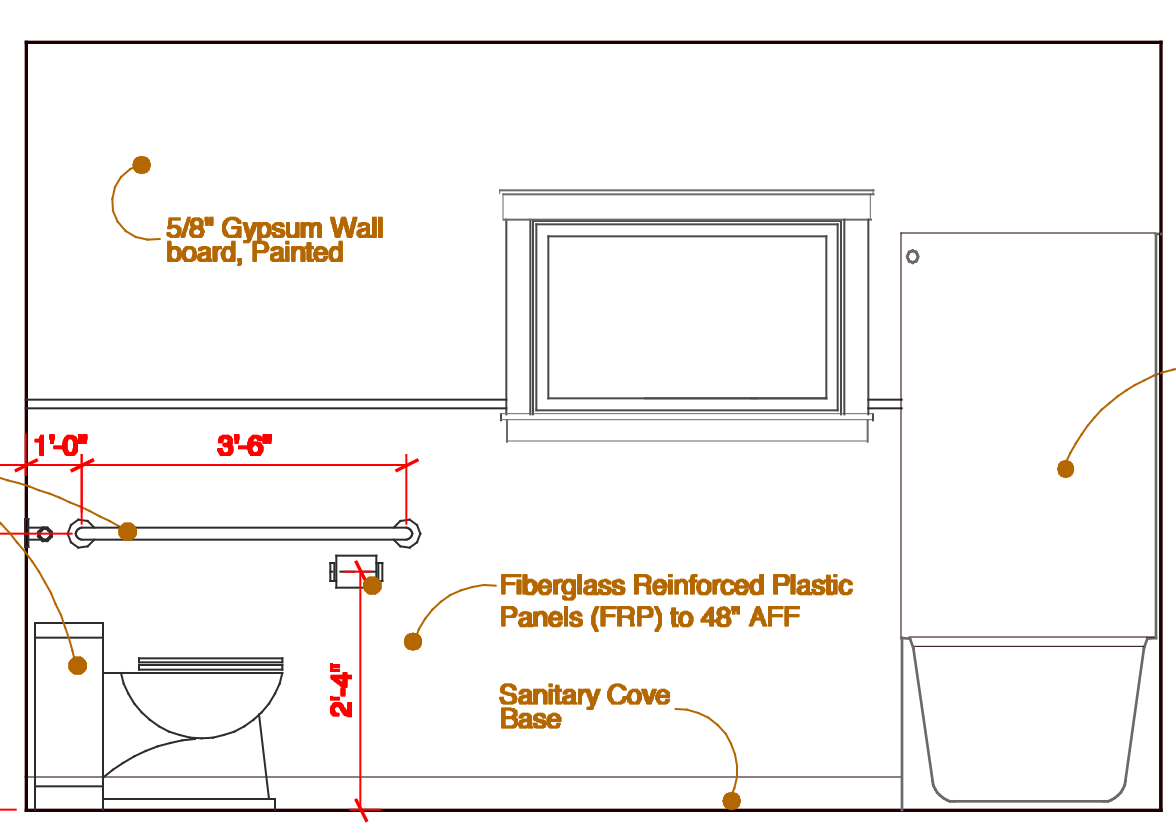
date	scale	project #	drawing title	drawing number
August 15, 2015	1/2" = 1'-0"	2018-008	<b>Enlarged Interior Elevations</b>	<b>A 105</b>



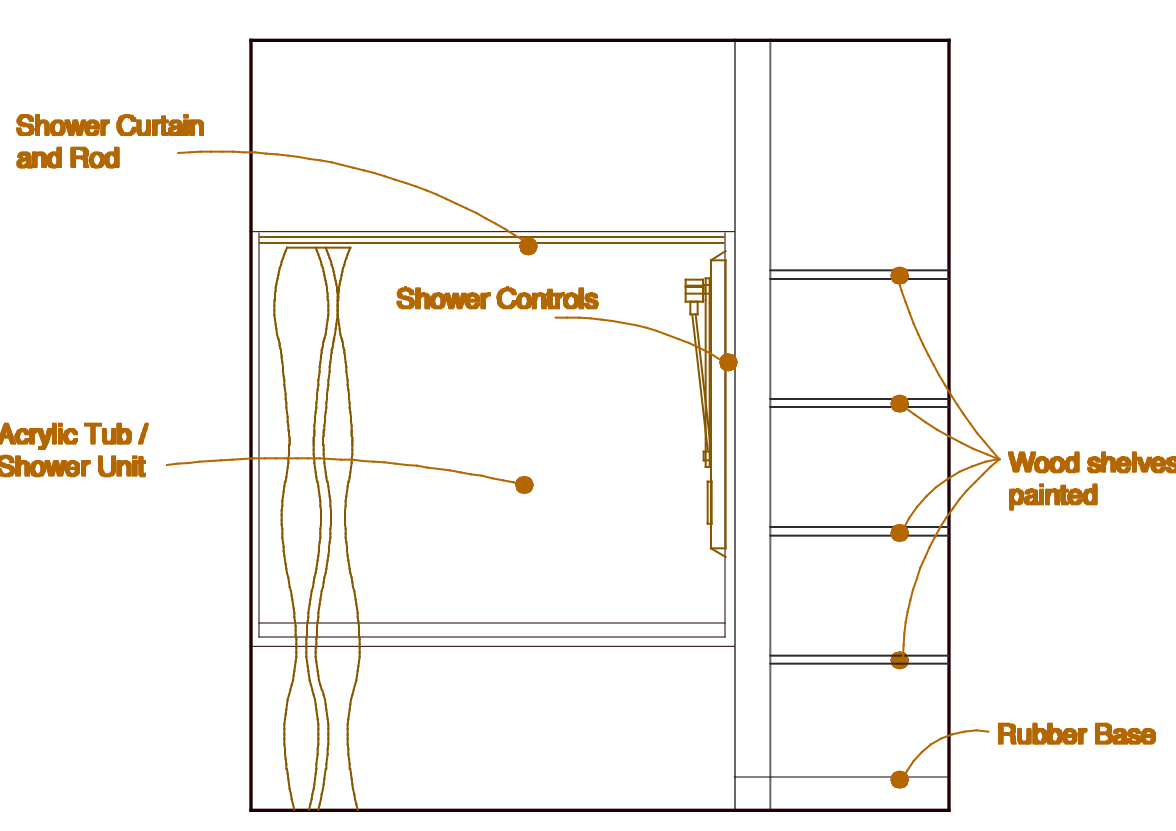
41 Bath 1 Interior Elevation



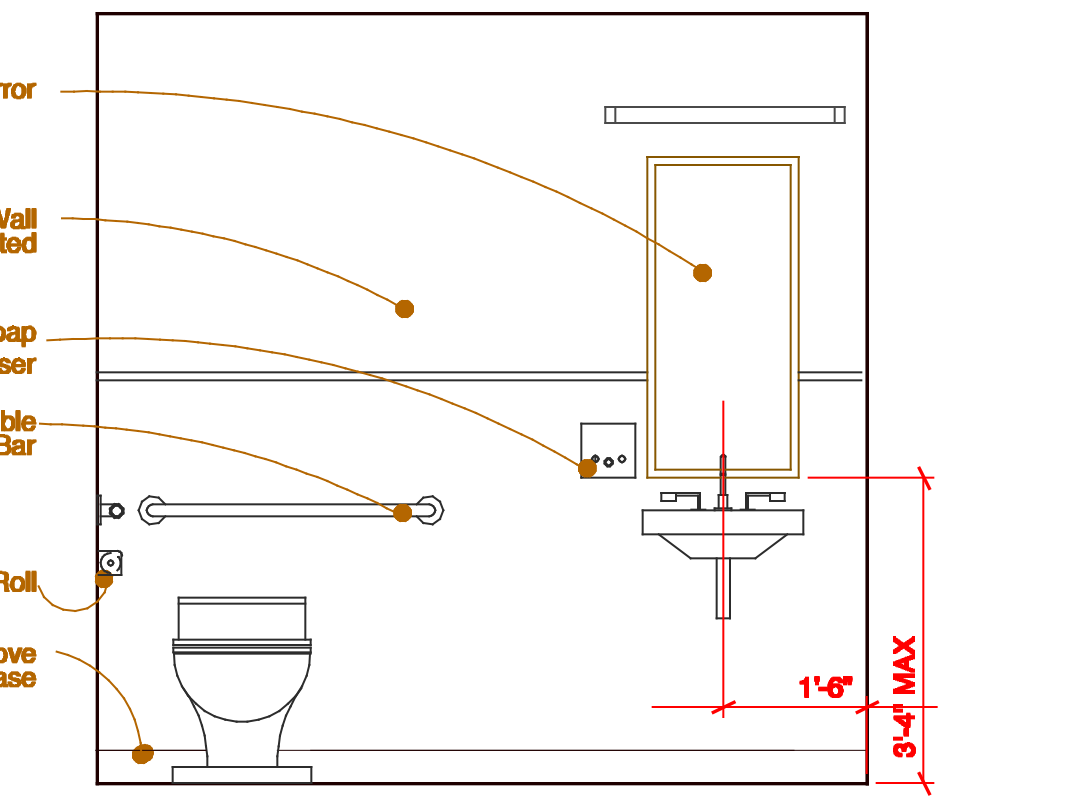
42 Bath 1 Interior Elevation



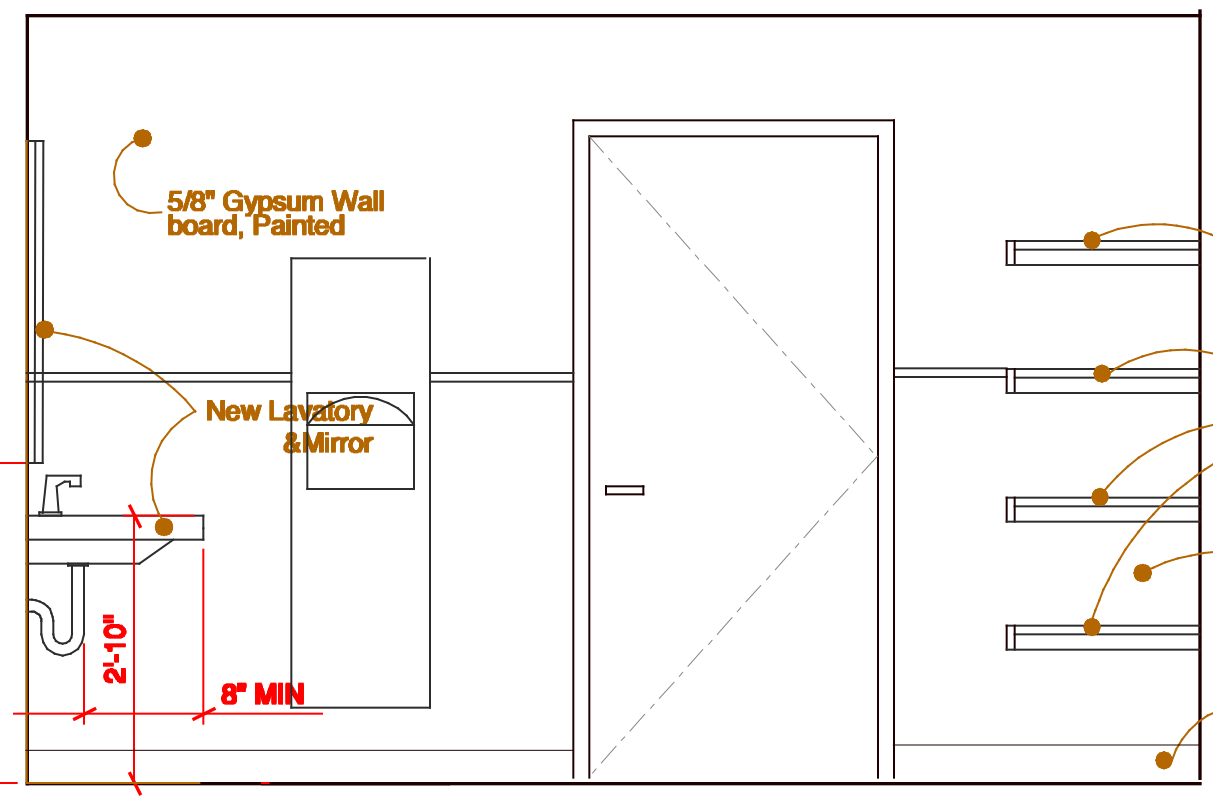
43 Bath 1 Interior Elevation



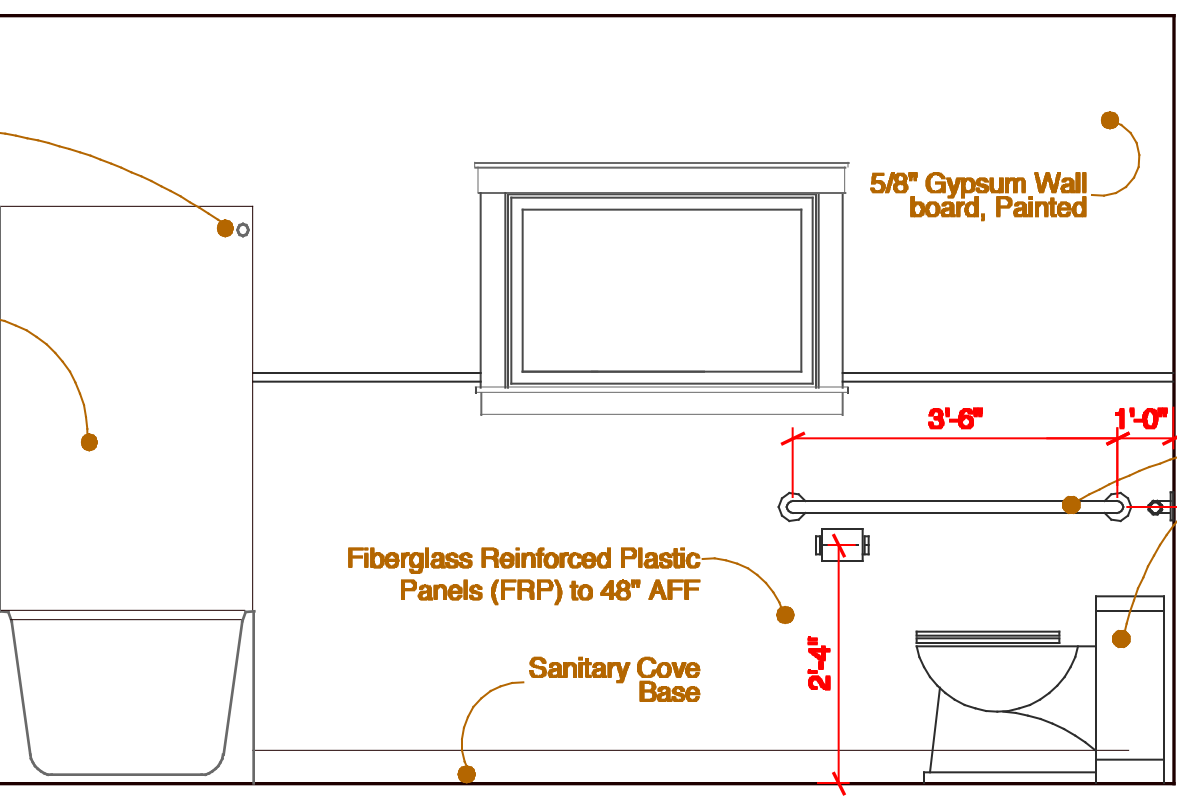
44 Bath 1 Interior Elevation



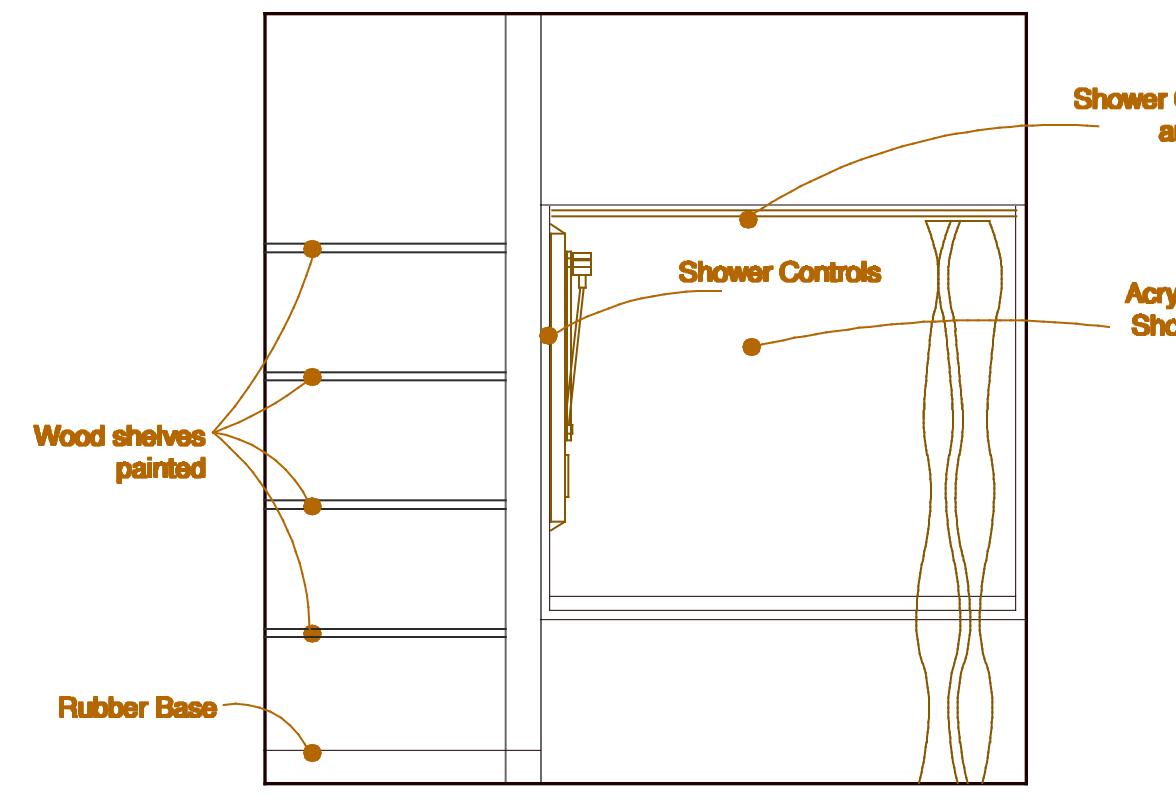
31 Bath 4 Interior Elevation



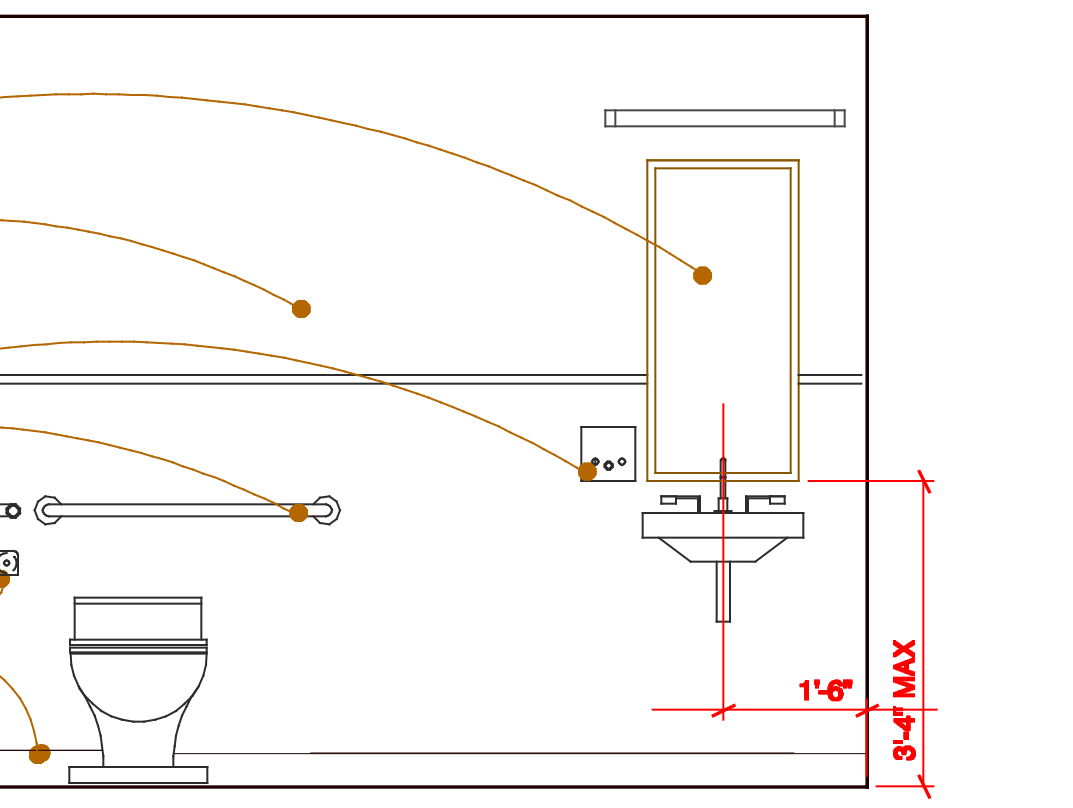
32 Bath 4 Interior Elevation



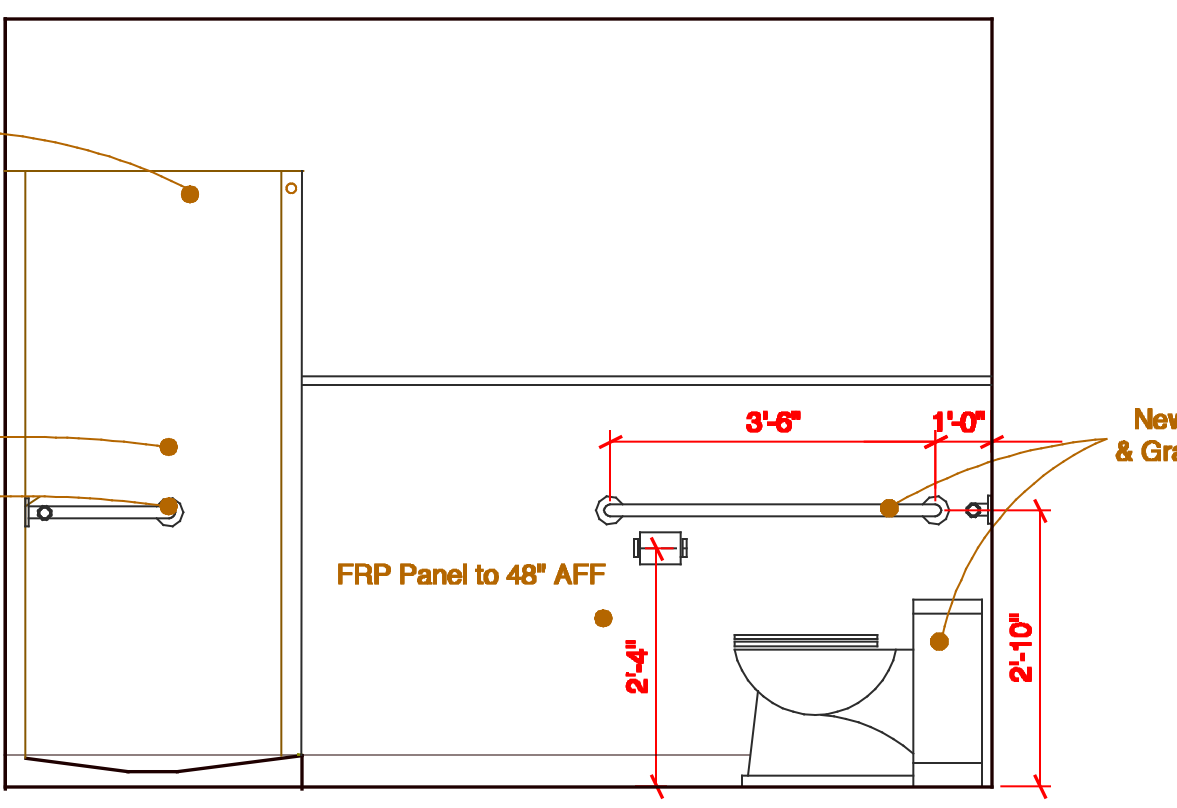
33 Bath 4 Interior Elevation



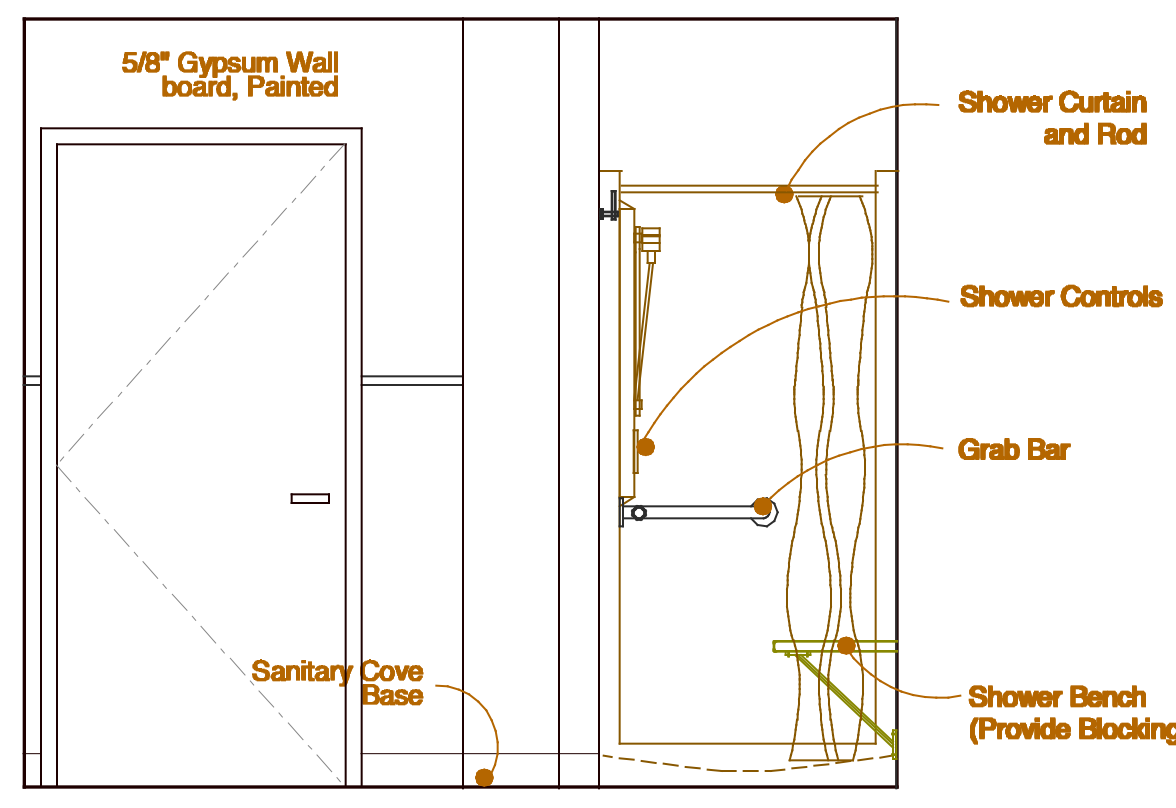
34 Bath 4 Interior Elevation



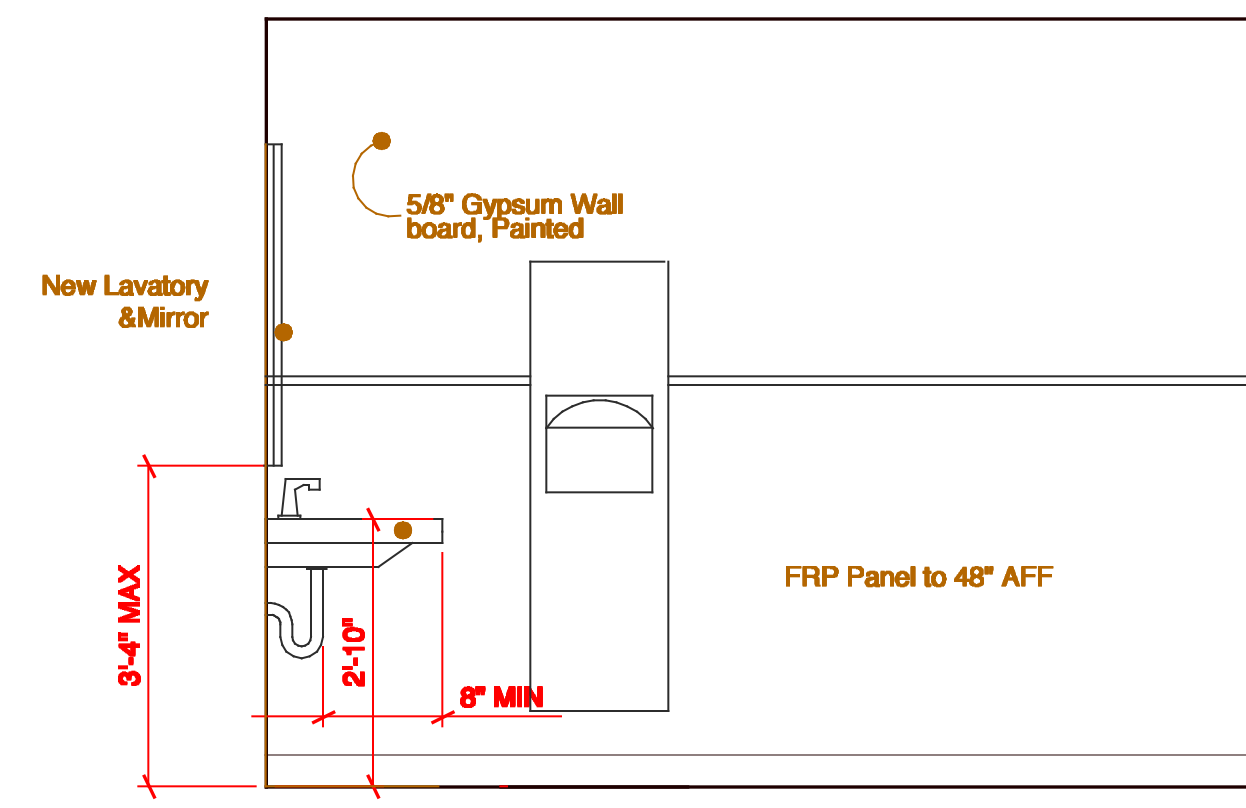
21 Bath 2 Interior Elevation



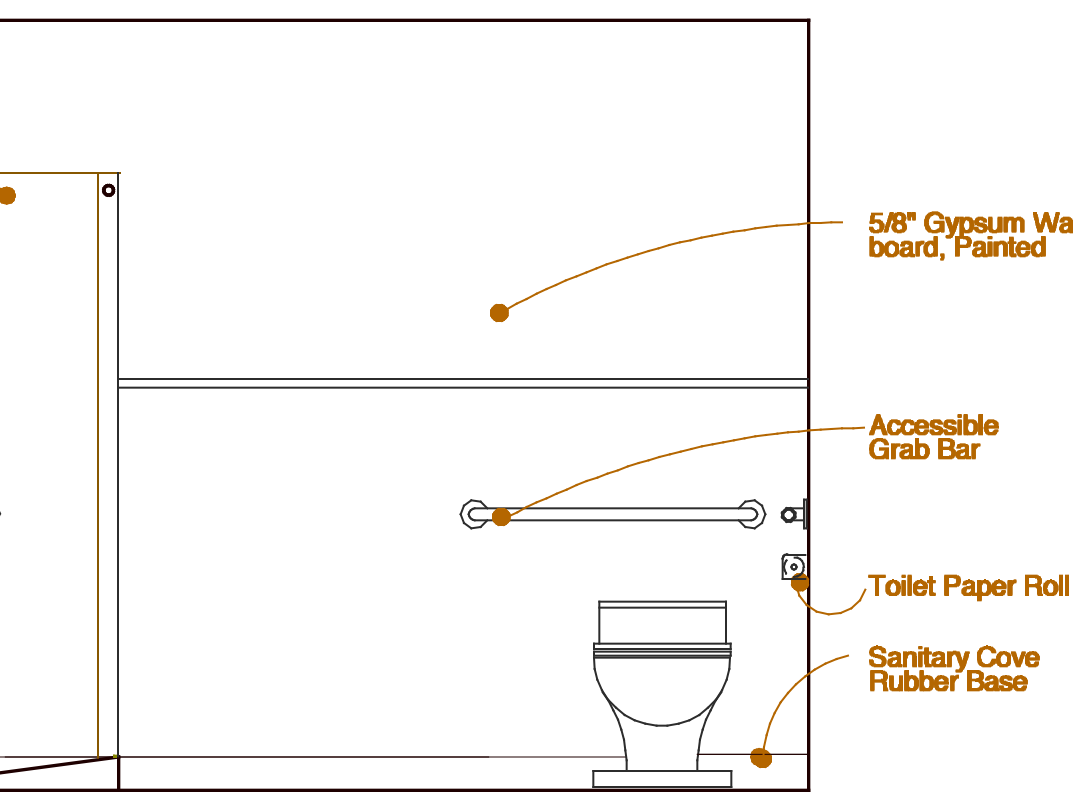
22 Bath 2 Interior Elevation



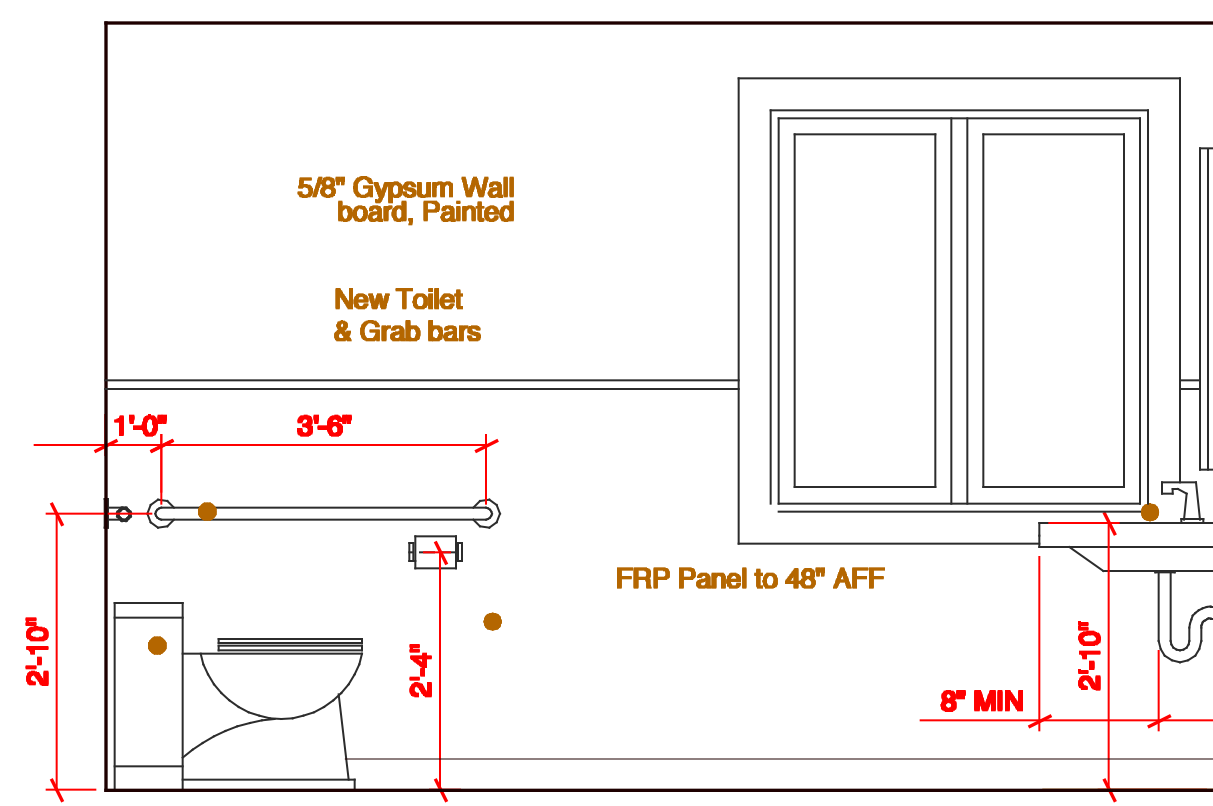
23 Bath 2 Interior Elevation



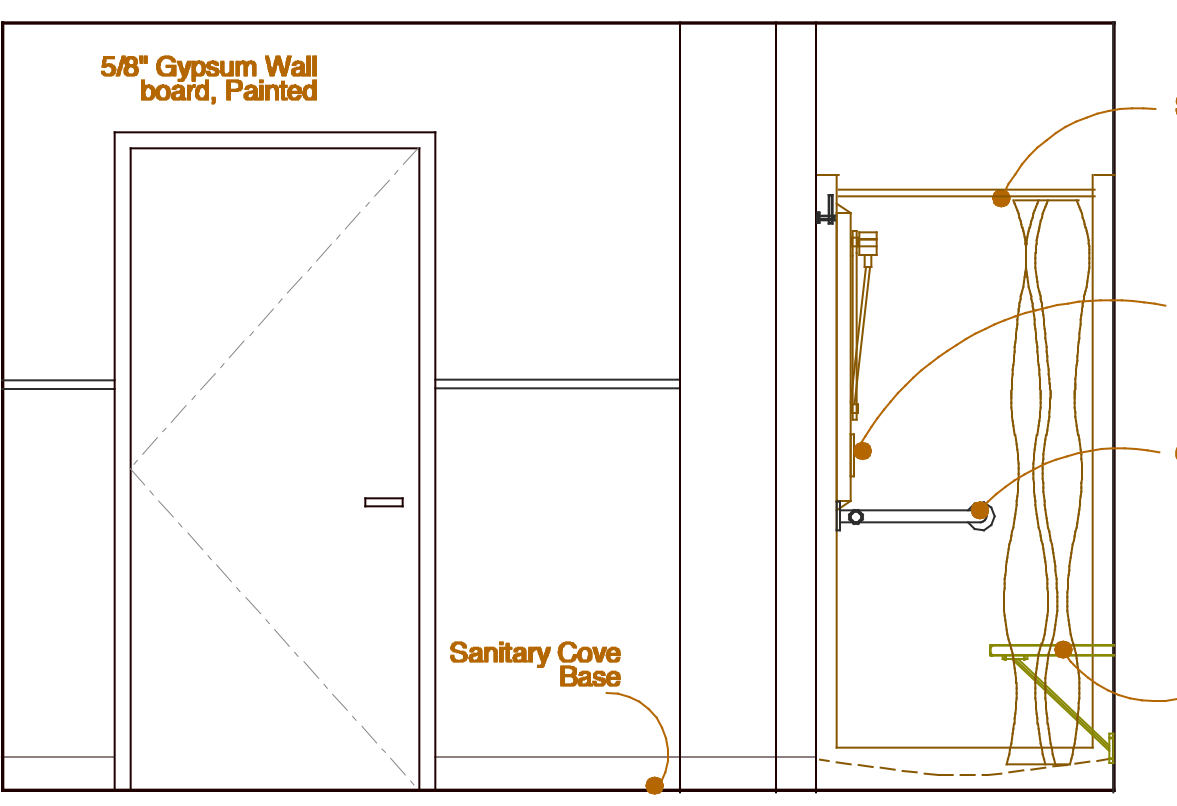
24 Bath 2 Interior Elevation



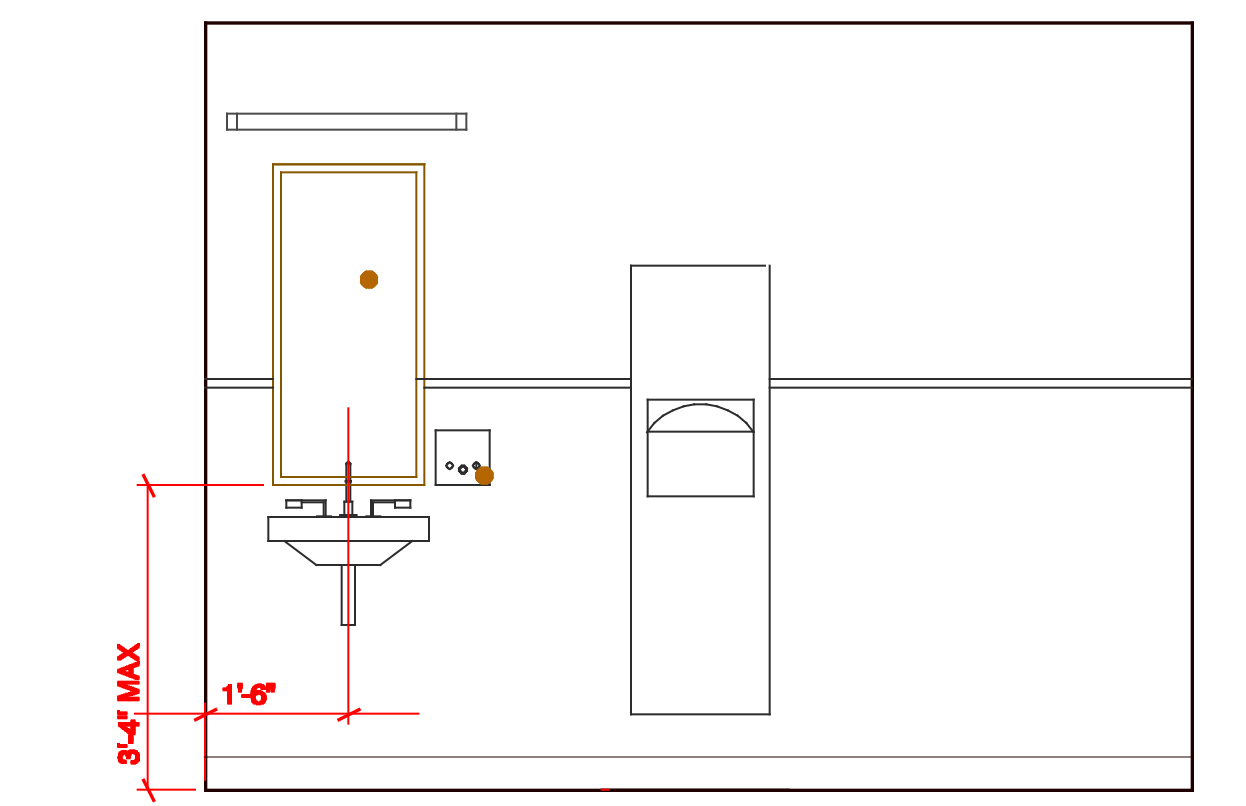
11 Bath 3 Interior Elevation



12 Bath 3 Interior Elevation



13 Bath 3 Interior Elevation



14 Bath 3 Interior Elevation