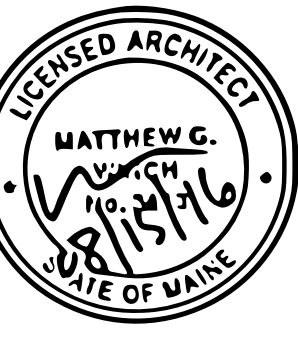


date	revision
06/07/2010	Shifted Pantry, Hall & MP Storage

project name
Spurwink Services

project location
Smith House Renovation
899 Riverside St
Portland, Maine
45°17'56.77N 70°12'03.40"



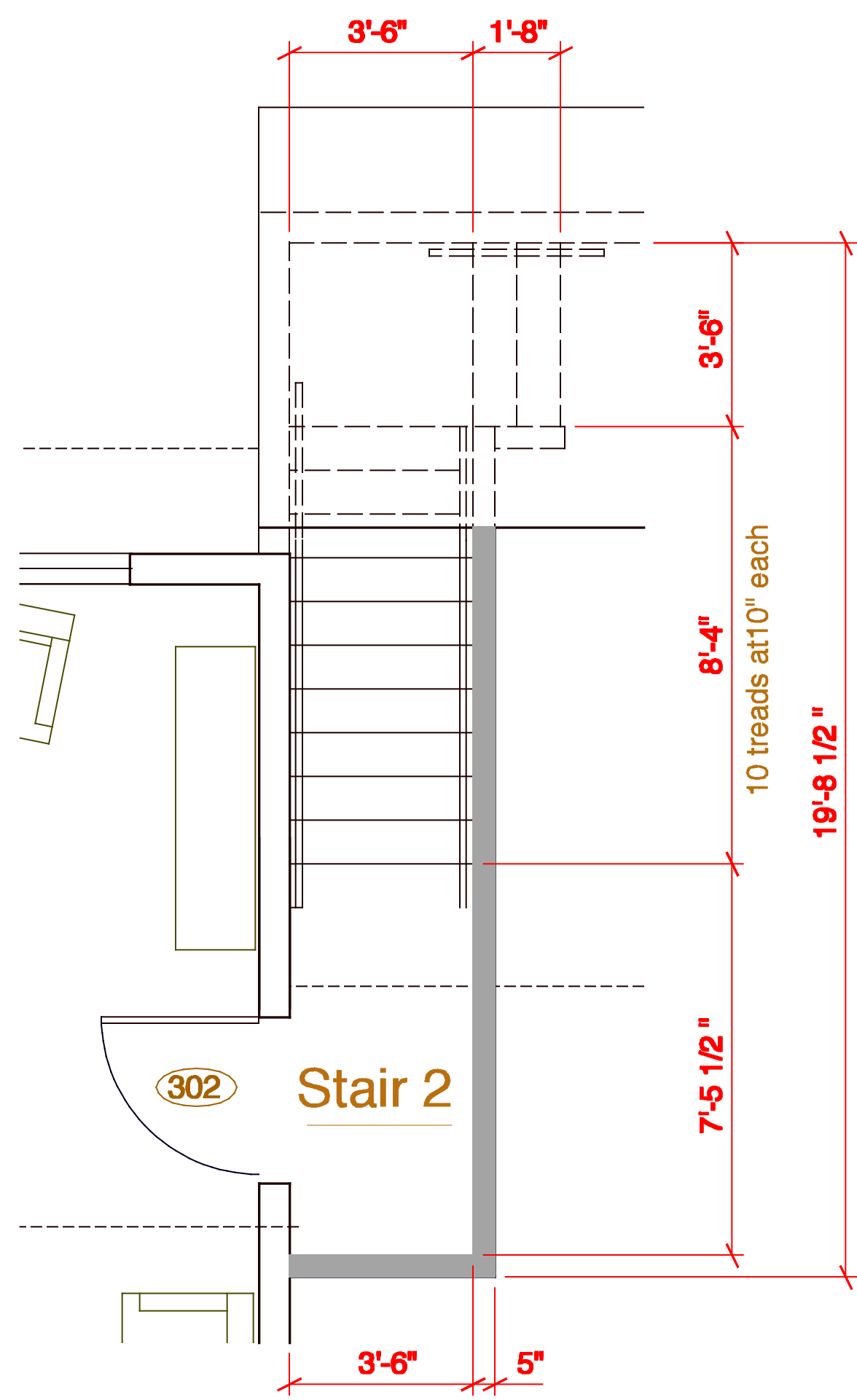
date
August 15, 2016

scale
1/8" = 1'-0"

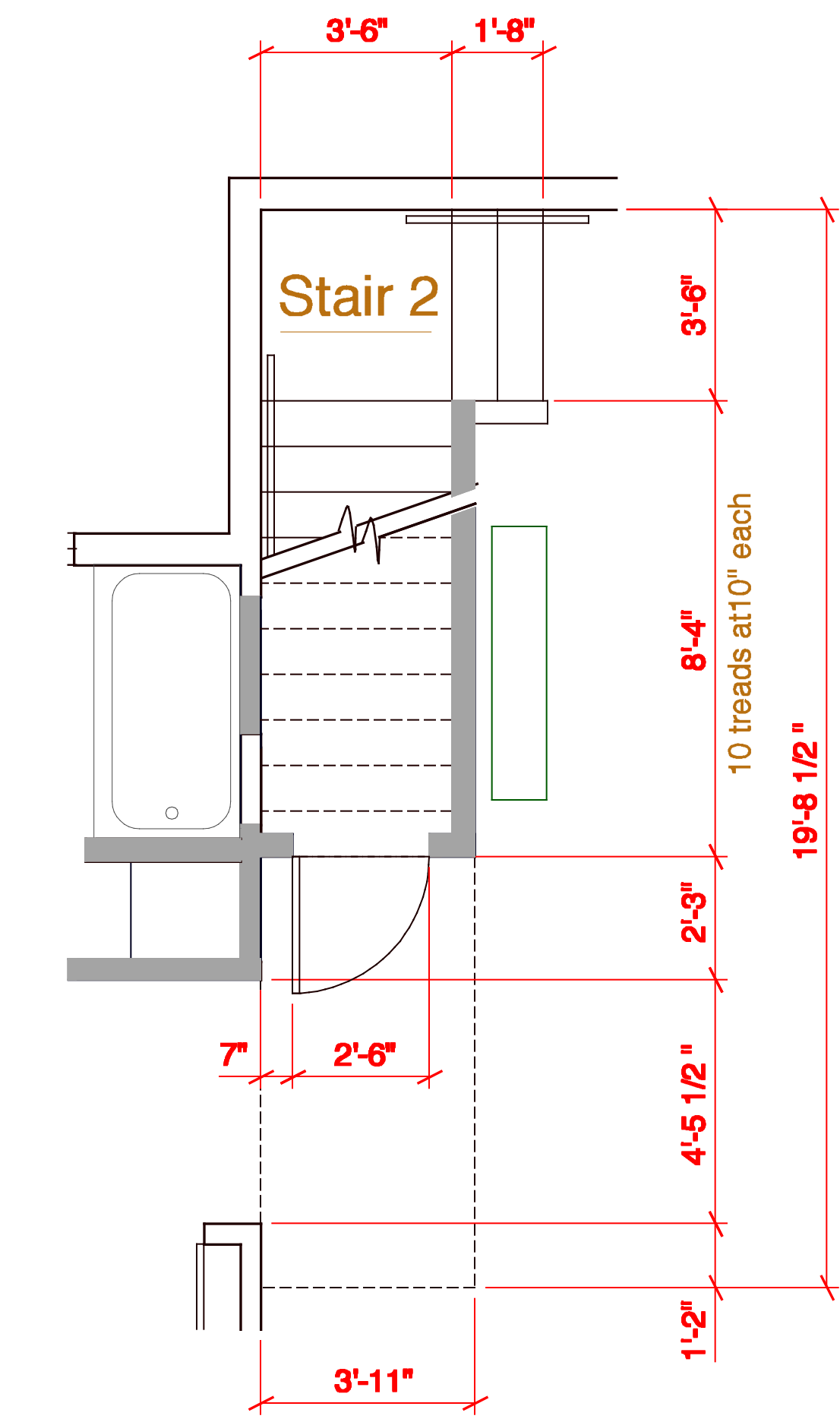
project #
2014-011

drawing title
Enlarged Stair Plans and Sections

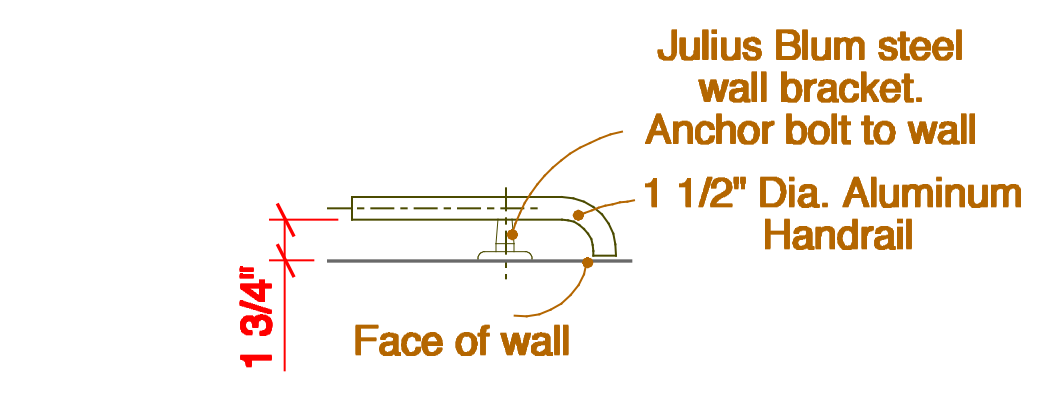
drawing number
A103



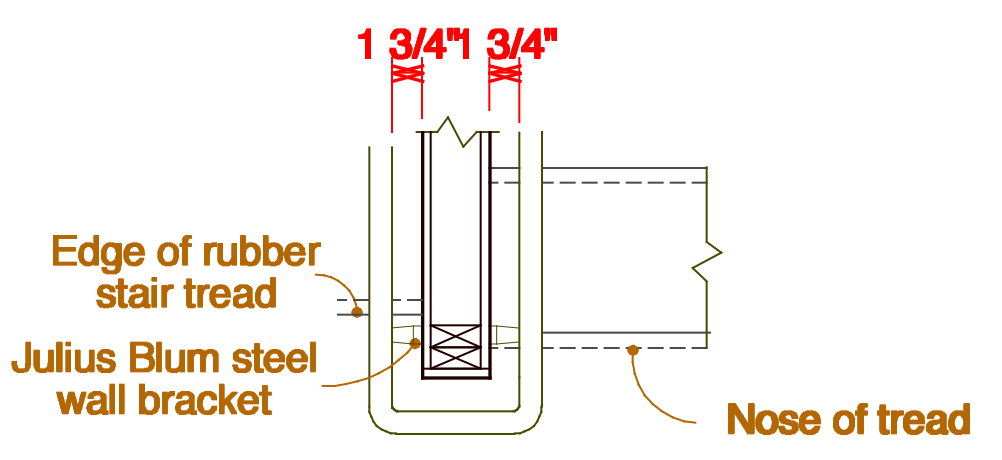
12 Partial Third Floor Plan



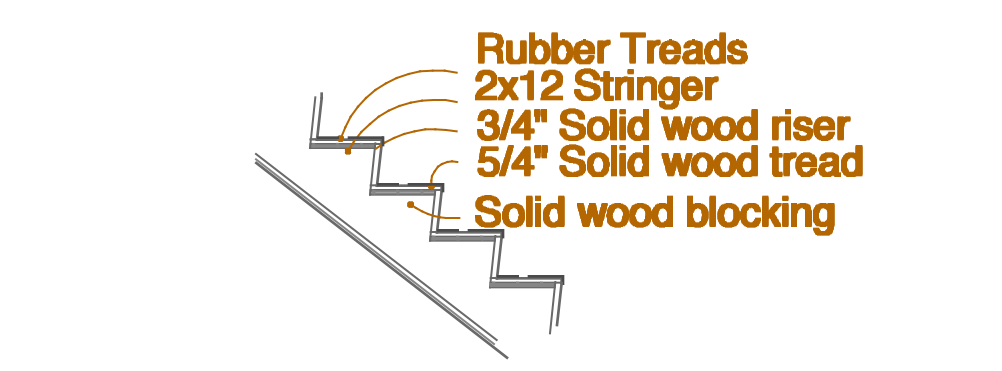
13 Partial Second Floor Plan



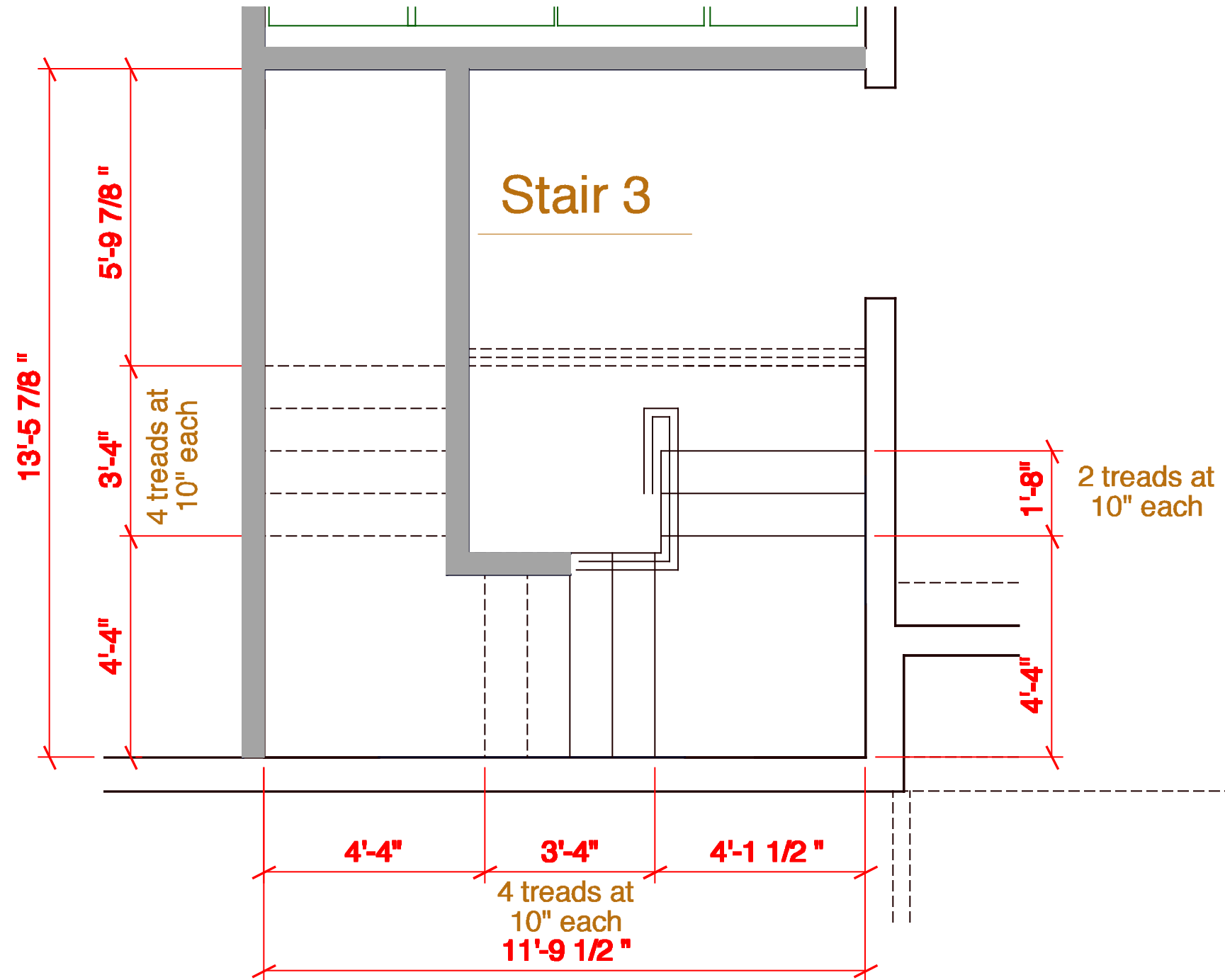
16 Proposed Rail Detail



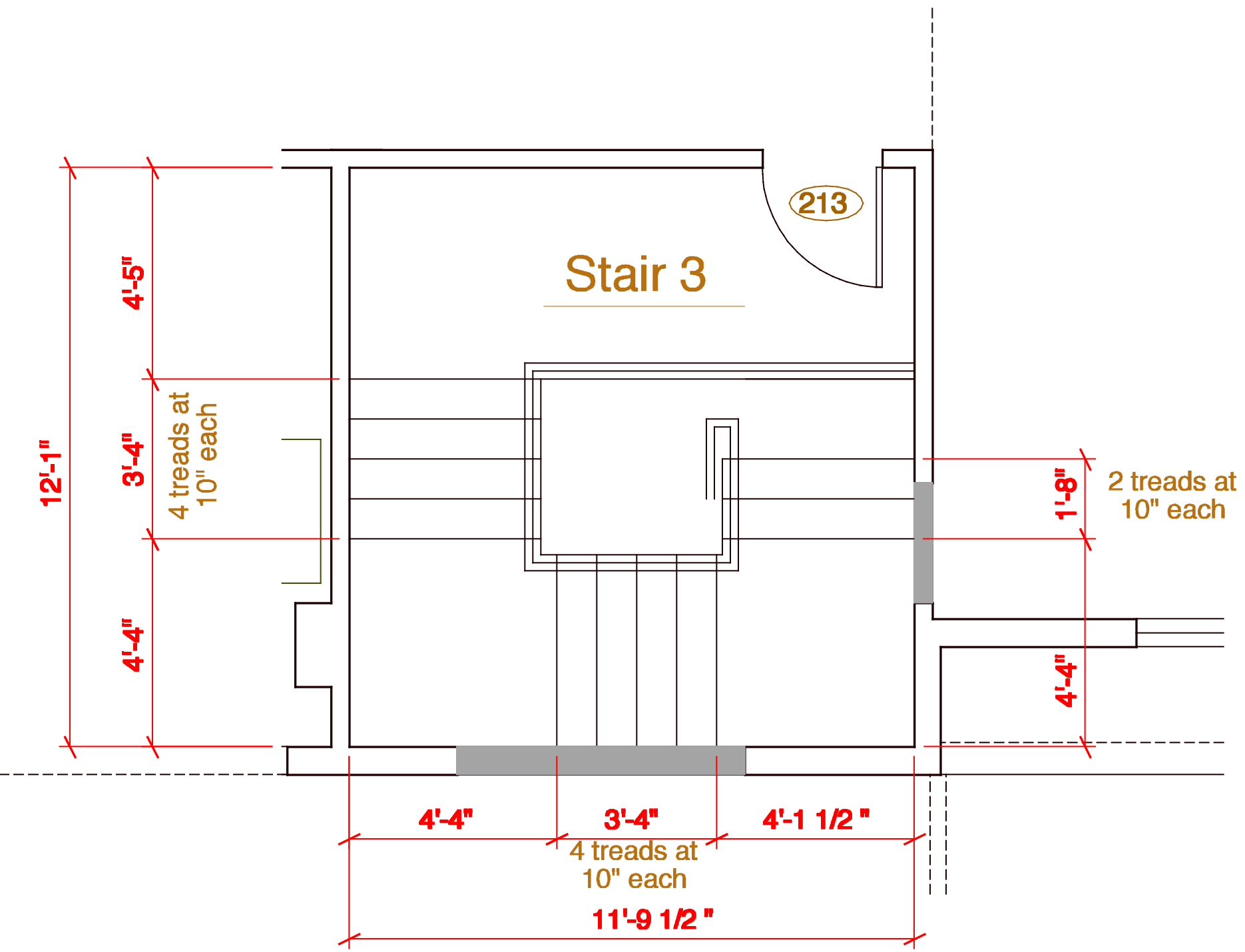
15 Proposed Floor Plan



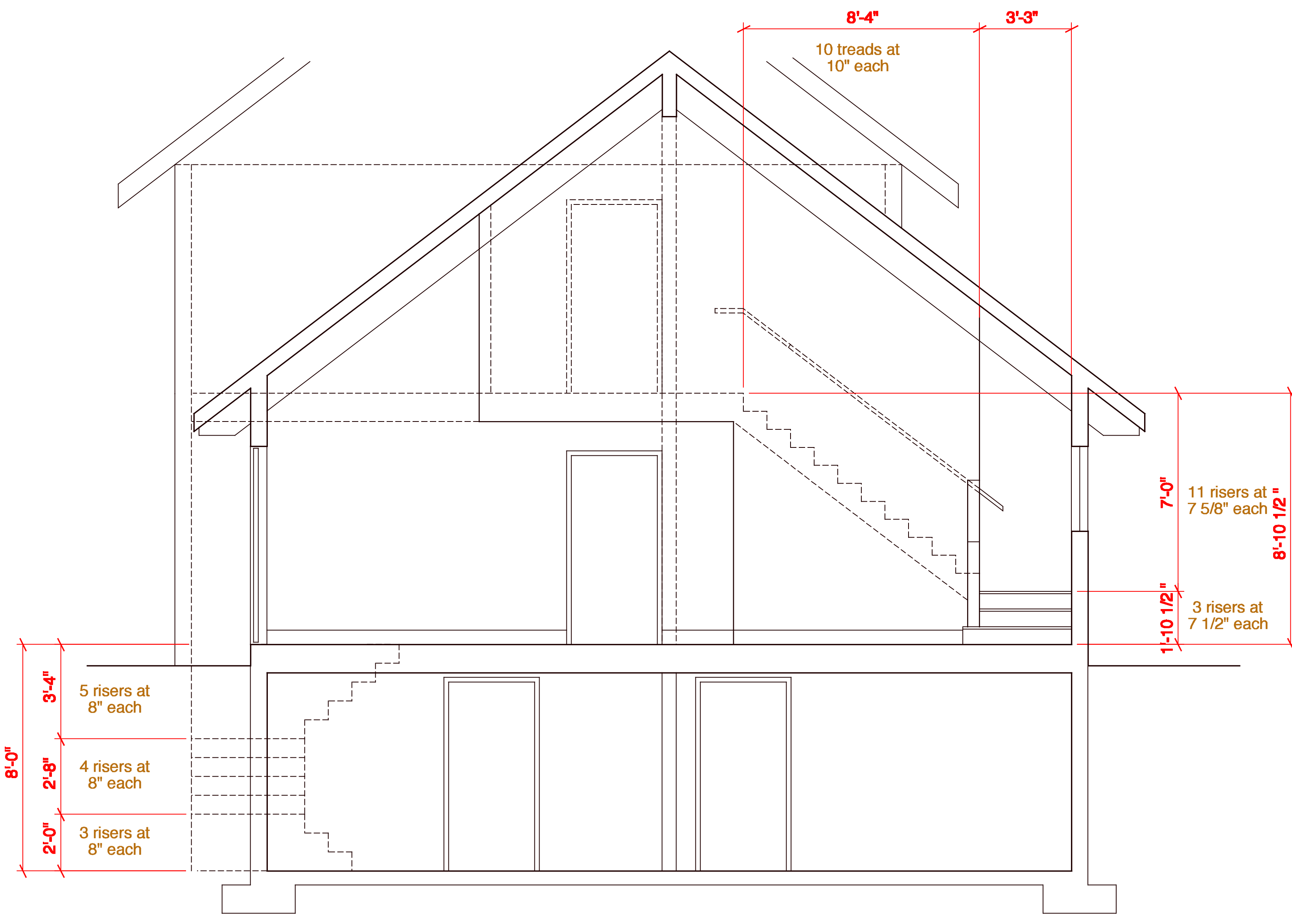
14 Proposed Tread/Riser Detail



11 Partial Ground Floor Plan



10 Partial Second Floor Plan



20 Partial Section at Stair